



1020 S Sangamon Ave - Gibson City - IL 60936 - USA - Phone 217-784-4261 www.rhinoag.com

Contract: 24-05-0713 Virginia Sheriffs' Association
 Bid: 24-05-0713 Heavy Equipment
 Group: Pull Scrapers Model: Rear Blade - 2500-3500 Series
 Item Number: 1544 2500

2500 BUILD SHEET

**2500, 3500
 REAR BLADE
 (For Tractors up to 300 PTO HP)**

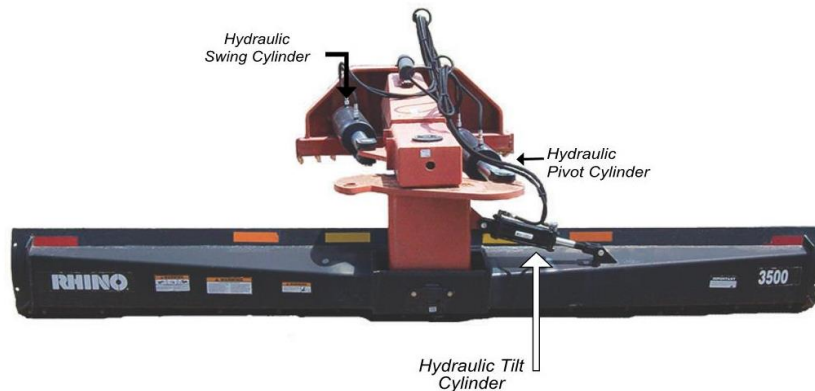
STANDARD EQUIPMENT & SPECIFICATIONS

Model	2500	3500
Moldboard Width:	8', 10', 12'	12', 14'
Moldboard Dimension:	1/2" x 20"	
Cutting Edge:	1/2" x 6"	
Support Stand:	Std	
Hitch:	CAT 2 & 3 / CAT 2 & 3 QH	CAT 3 & 4 / CAT 3 & 4 QH
Max Tractor HP (PTO):		
2WD	8' - 250 10' - 225 12' - 175	12' - 300 14' - 250
FWD	8' - 220 10' - 200 12' - 160	
King Pin Diameter:	4 1/2" Steel Bar	5" Steel Bar
Adjustment Types:	Hydraulic	
Swing Offset (Max):	46"	50"
Pivot Angle: Forward	Up to 45 Degrees	
Reverse	Up to 45 Degrees	
Tilt (Up & Down):	Up to 15 Degrees	
Weight (Approx):	8' - 2,120 lbs 10' - 2,260 lbs 12' - 2,400 lbs	12' - 3,463 lbs 14' - 3,603 lbs



Unit shown with extra equipment.

Blades NOT warranted on Track-Type Tractors.



WARRANTY

1 Year Machine

**2500 BASE BUILD**

Part Number	Description
2500	2500 w/ 8' Blade
9150040400	Kit, Hydraulic Swing
9150040400	Kit, Hydraulic Pivot
9150040004	Kit, Hydraulic Tilt

Base Price \$ 8,395.10

Base Price already includes the 30% discount off of MSRP
Freight and Delivery are not included in base price