

# **COMMONWEALTH EQUIPMENT**

**MATERIAL PROCESSING**

**VSA Heavy Equipment**

**Contract 24-05-0713**

**Item Number: 1361**

**Model Number: 40x65**

**Group: Mobile Stackers**

**Make: McCloskey**

**MSRP: \$164,000**

**Model: Stacker**

**Discount 6%: (\$-9,840)**

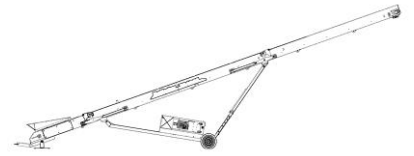
**Total Net Price: \$154,160**

Price Does Not Include Freight

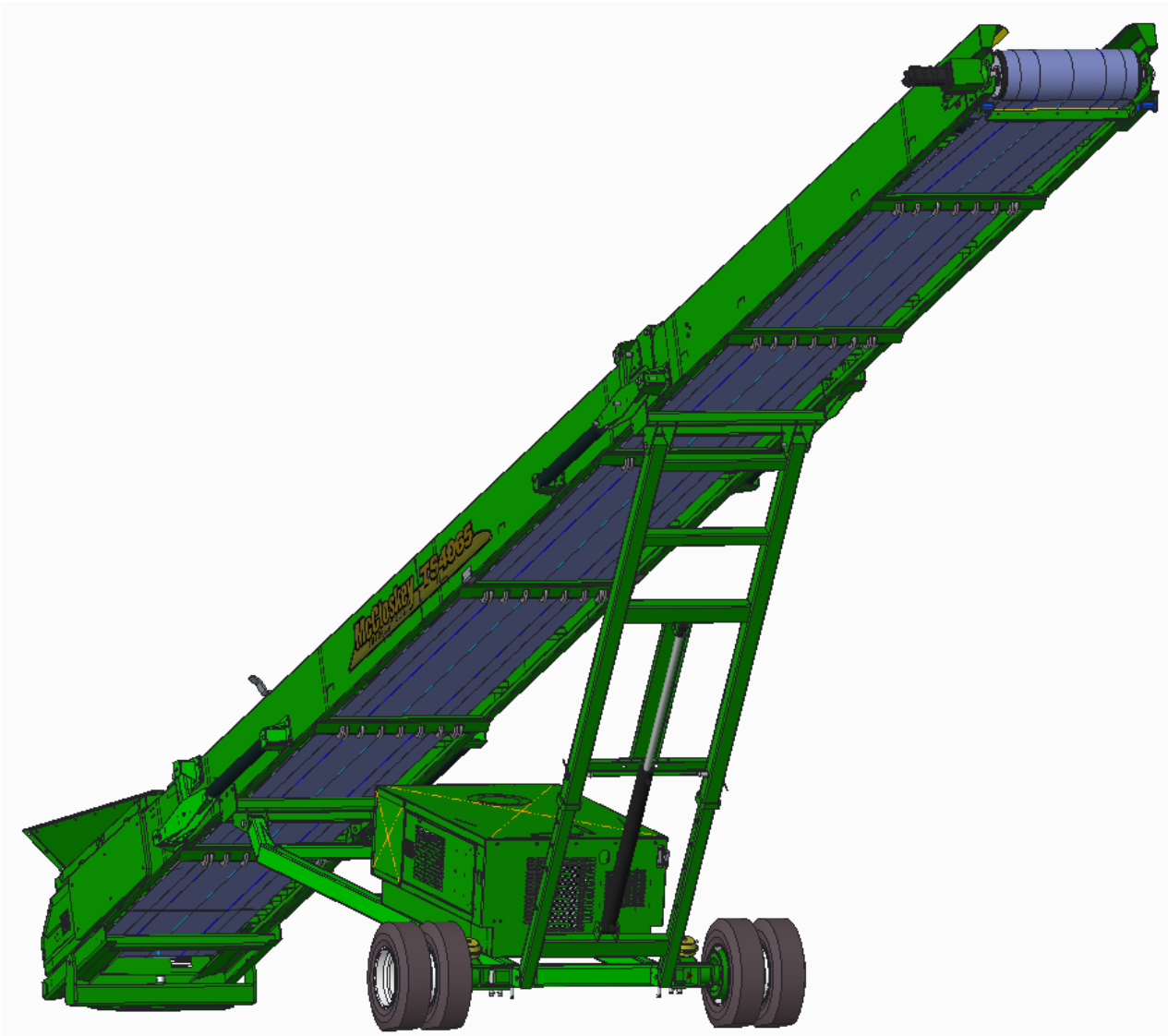
Commonwealth Equipment \* 36 Hazleton St \* Ashley PA 18706

Phone: 877-217-4474 \* [commonwealthequipment.com](http://commonwealthequipment.com)

MST03282023



# SPECIFICATIONS: WS4065



Note: Optional equipment may be displayed

Specifications are subject to change without notice



### DESCRIPTION

Heavy duty mobile wheeled stockpiling conveyor with following features:

- 1000mm (40") wide heavy duty 65' long conveyor
- 36.5Kw (49Hp) CAT diesel engine
- Large hopper with dead box
- Hydraulic folding for easy transport
- Fast on site setup time (5 minutes)
- Abundant service room inside power-pack
- Adjustable hopper height to optimize operational efficiency
- One standard transport container required per machine

### DIMENSIONS AND WEIGHTS

#### Working Dimensions

Length	18.64m (63' – 5")
Width	3.09m (10' – 1")
Height	7.27m (23' – 10")

#### Transport Dimensions

Length	13.84m (45' – 5")
Width	3.09m (10' – 1")
Height	3.46m (11' – 4")

Weight	8181kg (18000lbs)
--------	-------------------

### CONVEYOR

Belt width	1000mm (40")
Belt length	19.35m (63' – 5") drum centers
Belt spec	Heavy Duty Plain 40 in – 3ply – 3/16 X 1/16
Drive drum diameter	350mm (13.8")
Tail drum diameter	270mm (10.6")
Motor	Danfoss / Eaton OMV630, 630cc/rev
Flow rate	96 LPM (25.4 US GPM)
Adjustable speed	Yes
Drive drum maximum speed	152 rpm
Belt maximum speed	167m/min (548 ft/min)

### CAPACITIES

Stockpile height	7.05m (23' – 1")
Stockpile capacity	556 cu. m (727cu. yds.)
Hydraulic tank capacity	294 L ( 77.7 US gal)
Production	600TPH (max)



### POWERUNIT AND HYDRAULICS

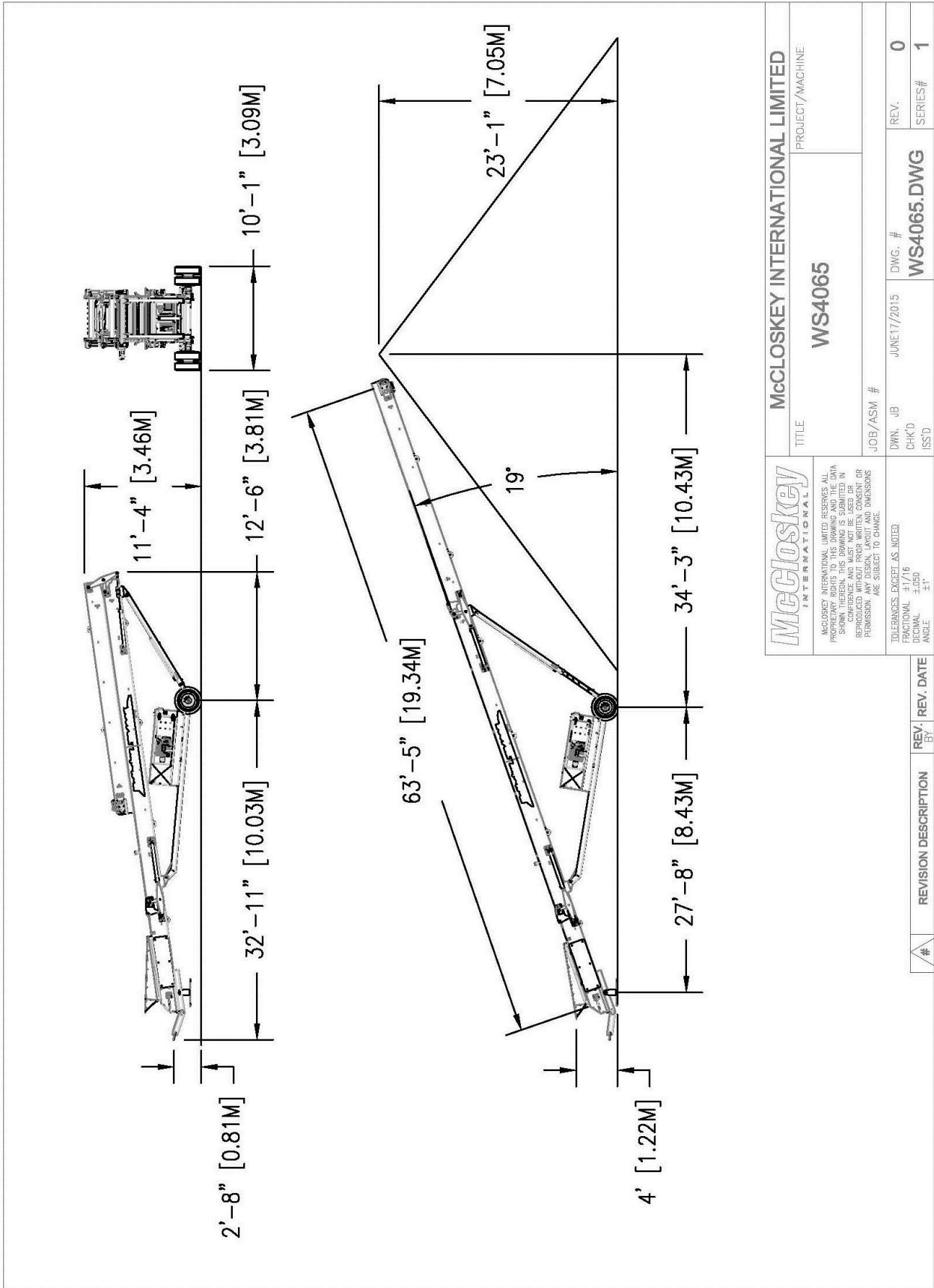
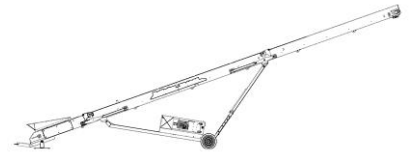
Engine	CAT C2.2 - Tier 3B
Engine power	36.5kW (49Hp)
Engine speed	2400 rpm
Flywheel pump	Cast Iron
Total system flow	96 LPM (25.4 US GPM)
Hydraulic tank capacity	294 L (77.7 US gal)
Hydraulic tank ratio	3 : 1
Hydraulic oil cooler	Yes

### ELECTRICS

Emergency stops	2 off, power unit RH & LH
Chassis cabling	Armored cable
Start siren	Yes – 10 sec delay
Engine shutdowns:	<ul style="list-style-type: none"><li>• Low oil pressure</li><li>• High engine temp</li><li>• Air filter blockage (selectable)</li></ul>

### STANDARD FEATURES

External belt alignment points  
External grease points  
Engine safety shutdown systems  
Full safety guarding for pinch points  
CE compliance



<b>McCloskey</b> INTERNATIONAL	<b>McCloskey INTERNATIONAL LIMITED</b>	
	PROJECT/MACHINE	
TITLE		<b>WS4065</b>
<small>MCCLOSKEY INTERNATIONAL LIMITED RESERVES ALL PROPRIETARY RIGHTS TO THIS DRAWING AND THE DATA SHOWN THEREON. THIS DRAWING IS SUBMITTED IN CONFIDENCE AND IS NOT TO BE REPRODUCED, COPIED, REPRODUCED, OR REPRODUCED IN ANY MANNER WITHOUT PRIOR WRITTEN CONSENT OR PERMISSION. ANY DESIGN, LAYOUT AND DIMENSIONS ARE SUBJECT TO CHANGE.</small>		
JOB / ASM #		
DWN. #	JUNE17/2015	DWG. #
CHK'D		<b>WS4065.DWG</b>
ISS'D		REV. #
		<b>0</b>
		SERIES#
		<b>1</b>

#	REVISION DESCRIPTION	REV. BY	REV. DATE

TOLERANCES, EXCEPT AS NOTED:  
 FRACTIONAL ±1/16  
 DECIMAL ±0.050  
 ANGLE ±1°