



### DOCK-FRIENDLY, STEEL-FRAME MODELS FOR 96" WIDE BODIES <sup>1</sup>

	Model Number	Load Area	Taper	Bed Height <sup>2</sup>	Gate Weight	Gate Width	MSRP
<b>1600 lb. Capacity</b>	Folding Aluminum Platforms						
	<b>89-16 RF 45-6</b>	89 x 45	6	32 - 54	674	92-3/4	\$ 6,239
	<b>89-16 RF 45-12</b>	89 x 45	12	37 - 54	688	92-3/4	\$ 6,239
	<b>89-16 RF 50-6</b>	89 x 50	6	37 - 54	695	92-3/4	\$ 6,239
<b>2000 lb. Capacity</b>	Folding Aluminum Platforms						
	<b>89-20 RF 45-6</b>	89 x 45	6	32 - 54	674	92-3/4	\$ 6,544
	<b>89-20 RF 45-12</b>	89 x 45	12	37 - 54	688	92-3/4	\$ 6,544
	<b>89-20 RF 50-6</b>	89 x 50	6	37 - 54	695	92-3/4	\$ 6,544

#### NOTES

- Above-bed Travel comes standard on all Dock-Friendly Models. **Specify bed height when ordering liftgate.**
- For all Dock-Friendly Railgate Models the laden bed height must be greater than the Platform Base Height.

#### BODY SIZE

Body Size	Model	Description	MSRP
80"	<b>73*</b>	73" Load Area width <i>*Model 73 max bed height = 46"</i>	-
85"	<b>79*</b>	79" Load Area width <i>*Model 79 max bed height = 47"</i>	-
90"	<b>85</b>	85" Load Area width	-
96"	<b>89</b>	89" Load Area width	-
102"	<b>95</b>	95" Load Area width	+ \$ 784

#### PLATFORM DESCRIPTIONS

- RF 45-6** Two-piece Extruded Aluminum w/ 45" loading depth (15" flipper) + 6" taper (30" base height)
- RF 45-12** Two-piece Extruded Aluminum w/ 45" loading depth (10" flipper) + 12" taper (35" base height)
- RF 50-6** Two-piece Extruded Aluminum w/ 50" loading depth (15" flipper) + 6" taper (35" base height)

**STANDARD FEATURES / OPTIONS**

**ONE-YEAR STANDARD WARRANTY**

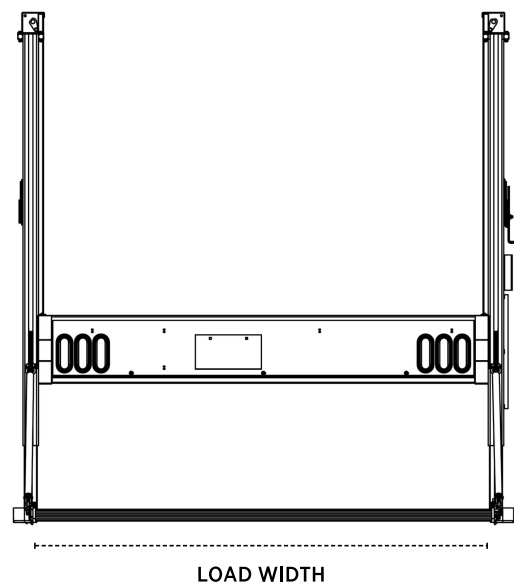
Feature / Option	Description	MSRP
<u>Standard Features</u>		
<b>Recessed Light Kit</b>	3-light kit (2-red, 1-white each side)	-
<b>Safety Trip Bar</b>	disengages the lift when an object is detected between the rising platform and the liftgate mainframe	-
<b>Low-Profile Toggle Control</b>	fixed control with a 5-minute inactivity shut-off	-
<b>Torsion Bar</b>	aids in manually opening/closing the platform	-
<b>Above-Bed Travel</b> <sup>3</sup>	allows platform to travel above truck bed-height for dock loading	-
<u>Additional Options</u>		
<b>Recessed LED Light Kit</b>	3-light kit (2-red, 1-white each side)	\$ 309
<b>Split Cart Stops</b>	located in platform taper, secure wheeled cargo	\$ 698
<b>Rubber Platform Bumpers</b>	set of six	\$ 45
<b>Dual Controls</b>	low-profile, fixed control + remote pendant control <small>(Part No. 9490)</small>	\$ 400
<b>Pendant Control Mounting Kit</b>	bracket and hook to store pendant control inside the vehicle <small>(pendant sold separately)</small>	\$ 47
<b>In-cab, Shut-off Switch</b>	disables liftgate activation from within the truck cab	\$ 71
<b>Winter Grade Hydraulic Fluid</b>	increases consistency of motion in cold climates	\$ 45

NOTE                    3.    Specify bed height when ordering liftgate.

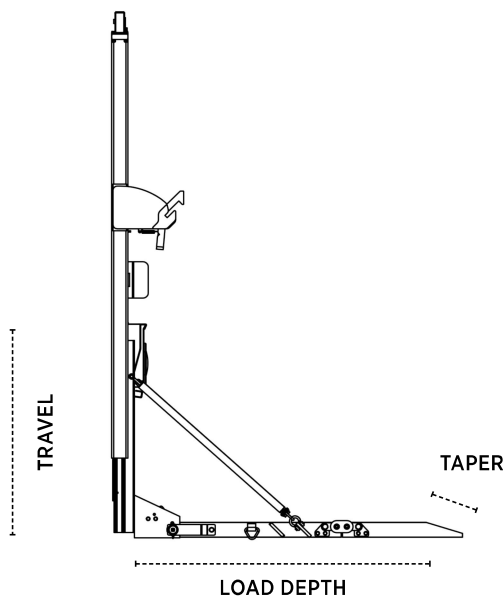
**DOCK-FRIENDLY STEEL-FRAME RAILGATE DIMENSIONS**

*(complete dimensions, p. 64)*

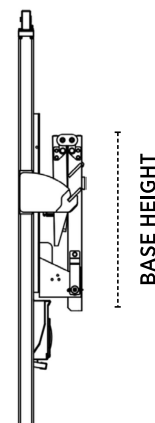
FRONT VIEW



SIDE VIEW



SIDE VIEW (STORED)





### DOCK-FRIENDLY, ALUMINUM-FRAME MODELS FOR 96" WIDE BODIES <sup>1</sup>

	Model Number	Load Area	Taper	Bed Height <sup>2</sup>	Gate Weight	Gate Width	MSRP
<b>1600 lb. Capacity</b>	Folding Aluminum Platforms <sup>1</sup>						
	<b>A85-16 RF 45-6</b>	85 x 45	6	32 - 54	539	92-1/4	\$ 8,029
	<b>A85-16 RF 45-12</b>	85 x 45	12	37 - 54	553	92-1/4	\$ 8,029
	<b>A85-16 RF 50-6</b>	85 x 50	6	37 - 54	559	92-1/4	\$ 8,029
<b>2000 lb. Capacity</b>	Folding Aluminum Platforms <sup>1</sup>						
	<b>A85-20 RF 45-6</b>	85 x 45	6	32 - 54	539	92-1/4	\$ 8,329
	<b>A85-20 RF 45-12</b>	85 x 45	12	37 - 54	553	92-1/4	\$ 8,329
	<b>A85-20 RF 50-6</b>	85 x 50	6	37 - 54	559	92-1/4	\$ 8,329

- NOTES**
1. Above-bed Travel comes standard on all Dock-Friendly Models. **Specify bed height when order**
  2. For all Dock-Friendly Railgate Models the laden bed height must be greater than the Platform Bas

**IMPORTANT** Aluminum-Frame Standard Railgate models are sized down due to the accompanying bolt-on mou Please see diagrams below, on p.27, and p. 63 and p. 65 for complete dimensions. Contact factory f details.

### BODY SIZE

Body Size	Model	Description	MSRP
<b>85"</b>	<b>A73*</b>	73" Load Area width *Model 73 max bed height = 46"	-
<b>90"</b>	<b>A79*</b>	79" Load Area width *Model 79 max bed height = 47"	-
<b>96"</b>	<b>A85</b>	85" Load Area width	-
<b>102"</b>	<b>A89</b>	89" Load Area width	-

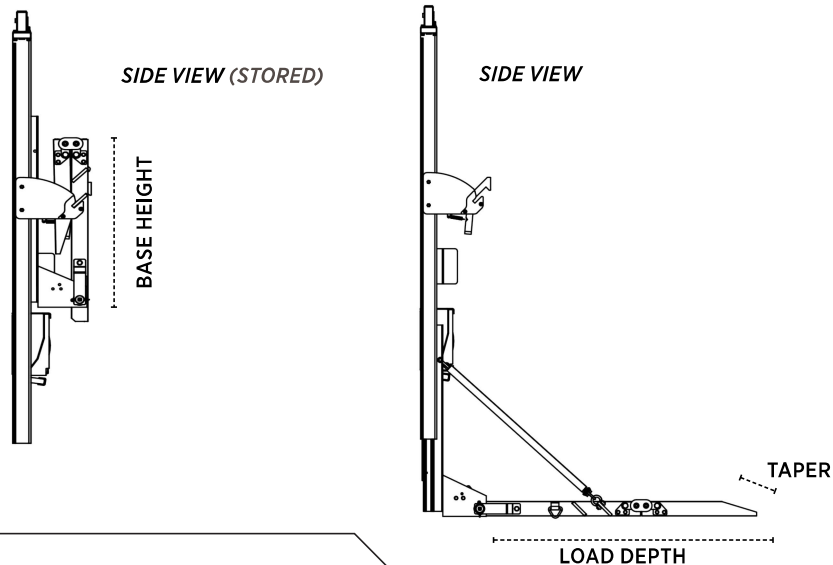
**IMPORTANT** Liftgate models may vary from above model suggestion for flatbed bodies. Please contact factory for more info.

### PLATFORM DESCRIPTIONS

- RF 45-6** Two-piece Extruded Aluminum w/ 45" loading depth (15" flipper) + 6" taper (30" base height)  
**RF 45-12** Two-piece Extruded Aluminum w/ 45" loading depth (10" flipper) + 12" taper (35" base height)  
**RF 50-6** Two-piece Extruded Aluminum w/ 50" loading depth (15" flipper) + 6" taper (35" base height)

### DOCK-FRIENDLY ALUMINUM FRAME RAILGATE SIDE DIMENSIONS

(complete dimensions, p. 65)



**STANDARD FEATURES / OPTIONS**

**ONE-YEAR STANDARD WARRANTY**

Feature / Option	Description	MSRP
<i>Standard Features</i>		
<b>Recessed Light Kit</b>	3-light kit (2-red, 1-white each side)	-
<b>Safety Trip Bar</b>	disengages the lift when an object is detected between the rising platform and the liftgate mainframe	-
<b>Low-Profile Toggle Control</b>	fixed control with a 5-minute inactivity shut-off	-
<b>Torsion Bar</b>	aids in manually opening/closing the platform	-
<b>Above-Bed Travel<sup>3</sup></b>	allows platform to travel above truck bed-height for dock loading	-
<i>Additional Options</i>		
<b>Recessed LED Light Kit</b>	3-light kit (2-red, 1-white each side)	\$ 309
<b>Split Cart Stops</b>	located in platform to secure wheeled cargo	\$ 698
<b>Rubber Platform Bumpers</b>	set of six	\$ 45
<b>Dual Controls</b>	low-profile, fixed control + remote pendant control <small>(Part No. 9-190)</small>	\$ 400
<b>Pendant Control Mounting Kit</b>	bracket and hook to store pendant control inside the vehicle <small>(pendant sold separately)</small>	\$ 47
<b>In-cab, Shut-off Switch</b>	disables liftgate activation from within the truck cab	\$ 71
<b>Winter Grade Hydraulic Fluid</b>	increases consistency of motion in cold climates	\$ 45

NOTE 3. Specify bed height of truck when ordering liftgate.

**DOCK-FRIENDLY ALUMINUM FRAME RAILGATE FRONT DIMENSIONS** *(complete dimensions, p. 65)*

