



AVAILABLE MODELS

Model Number		Load Area	Taper	Travel	Applications	Gate Weight	MSRP
1100 lb.	Framed Aluminum Platform						
	V2-56-1140 FA34	47 x 34	9	40	B	410	\$ 6,182
	V2-56-1140 FA49¹	47 x 49	9	40	A	445	\$ 6,366
1100 lb.	Framed Aluminum Platform						
	V2-47-1140 FA42²	38 x 42	9	40	C	405	\$ 6,366

- NOTES**
- FA42 and FA49 Models must have the 9" retention ramp/taper engaged when storing the platform on lower roof van models to avoid the ramp contacting the van frame. See Application Chart on p. 37.
 - Liftgate model for a Chevy Express Van ONLY.

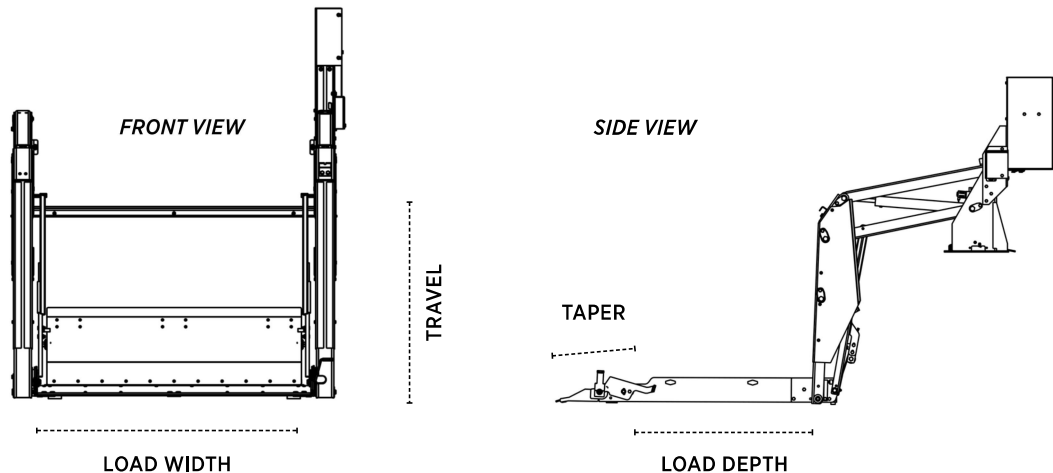
- IMPORTANT**
- V2 Series liftgates are not compatible with floor-mounted rear heat or rear air conditioning.
 - V2 Series liftgates reduce the door opening height by 2" (from the metal floor).

STANDARD FEATURES / OPTIONS

Feature / Option	Description	MSRP
<u>Standard Features</u>		
Retention Ramp	foot and hand activated ramp to secure wheeled cargo	-
Dual-Function Control	pendant control with raise/lower toggle, open/close fold function	-
Low-Profile Pump & Motor Box	pump and motor housing fits compactly over the wheel well	-
Pendant Control Mounting Kit	bracket and hook to store pendant control inside the vehicle <i>(pendant sold separately)</i>	-
<u>Additional Options</u>		
Pump Box Relocation Kit^{3 4}	allows the relocation of the pump box up to 6 feet from original location	\$ 418
Extended Power Cable (E3)	37-foot power cable	\$ 59



- NOTES**
- Kit includes: brackets, wiring, hoses, hardware, wire and hose loom.
 - Pump Box must remain in vehicle position after mounting. Visit tommygate.com for more details.

V2 SERIES DIMENSIONS *(complete dimensions, pp. 72-73)*




APPLICATION & REQUIRED BRACKET ⁵

TWO-YEAR STANDARD WARRANTY

Manufacturer	Model Year	Body Style	Roof Height					
			Low		Medium		High	
			Application	Bracket	Application	Bracket	Application	Bracket
Ford ¹⁰	2015 - 2022	TRANSIT®	B	15794	A, B	15230	A, B	15230
Ford	2022	 EV TRANSIT®	B	15794	A, B	15230	A, B	15230
Ford ¹⁰	2015 - 2022	TRANSIT® <i>Extended Body</i>	-	-	-	-	A, B	15418
Ford	2022	 EV TRANSIT® <i>Extended Body</i>	-	-	-	-	A, B	15418
Ram	2014 - 2022	Ram Promaster	A ⁶ , B	15608	-	-	A, B	15608
Ram	2014 - 2022	Ram Promaster <i>Extended Body</i>	-	-	-	-	A, B	15644
Sprinter® ⁷	2007 - 2022	144" WB 1500/2500	A ⁶ , B	15966	-	-	A, B	15966
Sprinter® ⁷	2007 - 2022 ⁸	170" WB Non-Extended 2500	n/a	-	-	-	A, B	15323
Sprinter® ⁷	2007 - 2022 ⁸	170" WB Extended 2500/3500/4500	-	-	-	-	A, B	16302 ⁹
Nissan	2011 - 2022	NV	B	15576	-	-	A, B	15576
Chevrolet/GMC	2011 - 2022	Express/ Savana	C ⁶	17508	-	-	-	-

NOTES

- Additional applications may be available. Contact factory for more information.
- Retention ramp must be engaged when storing liftgate to avoid damage to vehicle.
- Mercedes-Benz requires the use of an auxiliary battery for all liftgates installed on SPRINTER® vans.
- 2019-2022 170" WB must have one of these factory installed options:
V43 (wood floor), V39 (plastic floor), ZE6 (shelving prep)
- This application requires a 37-foot power cable. Option E3. See pricing on pg. 36.
- 2015-2019 Ford Transit® installations may require a separate connection point kit to be ordered from Ford. See Installation Instructions or contact customer service.

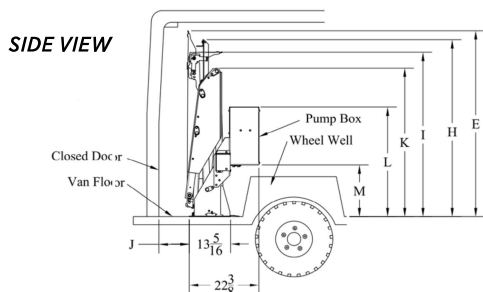
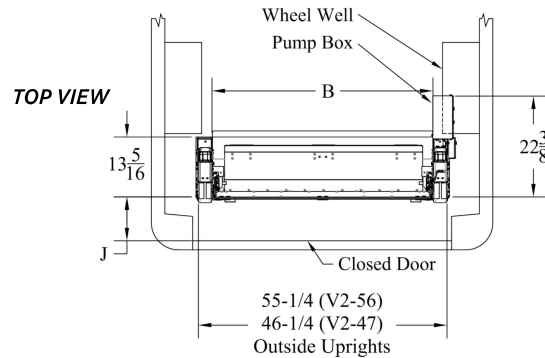
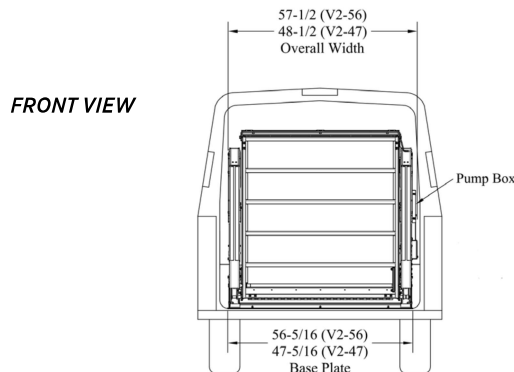
 - all-electric vehicle
n/a - not available

PLATFORM DESCRIPTIONS

- FA34** One-piece Steel-Framed Aluminum w/ 34" loading depth + 9" loading taper and Retention Ramp
- FA49** ¹ One-piece Steel-Framed Aluminum w/ 49" loading depth + 9" loading taper and Retention Ramp
- FA42** ^{1,2} One-piece Steel-Framed Aluminum w/ 42" loading depth + 9" loading taper and Retention Ramp

V2 SERIES STORED INSIDE VAN DIMENSIONS

(complete dimensions, pp. 72-73)



NOTE

12. Dimension "J" may differ depending on application. Contact factory for more information.