

CRANE BODY OPTIONS & ACCESSORIES



CRANE BODIES

POPULAR BODY ACCESSORIES



BOSS BA435 Air Compressor
35 Max CFM, 150 Max PSI, 10.0 Hydraulic GPM and 1850 max Hydraulic PSI (other models also available)



Reservoir Tanks
25 GAL Bulkhead mount – includes 100 mesh suction screen, 10 micron return filter, return and supply pressure gauges, sight glass and breather cap



Compressor Hose Reel
Reelcraft w/50' x 1/2" Hose, Includes roller hose guide for mounting in left rear body compartment



Master Locking
Allows you to lock all compartments on one side of your service body with a single move



19" or 24" Workbench Bumper with vise plate, storage area and hinged doors



Drawer Units
Durable, chip-resistant powder coat finish, 2-point latching system with 250 lb capacity with A60 Galvannealed steel construction (other colors available as an option)



Interior Light Kit
Interior work lights with individual switches in standard light package. LED rope light kits also available on request



Oxygen & Acetylene Bottle Holders
Standard 2 bottle holders with reinforced floor, door vents and adjustable chain strap



Grip Strut Steps
For workbench bumper with 2 fold-away 20" steps



Individual Drawer Units/Bolt Shelving
Shelving packages consisting of 7 adjustable shelves with small parts dividers with 250 lb capacity

OPTIONAL EQUIPMENT

- Shelving packages
- Slide-out tool box tray
- Oxy/Acet bottle holders
- Interior compartment lighting
- Individual drawer units/bolt shelving
- Master locking
- Manual and hydraulic outrigger packages
- Workbench bumper with through compartment

VENTURO PRODUCTS ARE BUILT TO LAST... WE GUARANTEE THEM!

As a purchaser of a new Venturo crane body, you will receive **6 YEARS** of the most complete coverage available at no added cost. For a complete description of our limited warranty policy, please refer to www.venturo.com/customer-service/warranty-policy.aspx



RUGGED. RELIABLE. REAL.



12110 Best Place
Cincinnati, OH 45241
800-226-2238
Fax 513-326-5427
VENTURO.COM

DISTRIBUTOR INFORMATION

Blank space for distributor information.

MADE WITH PRIDE

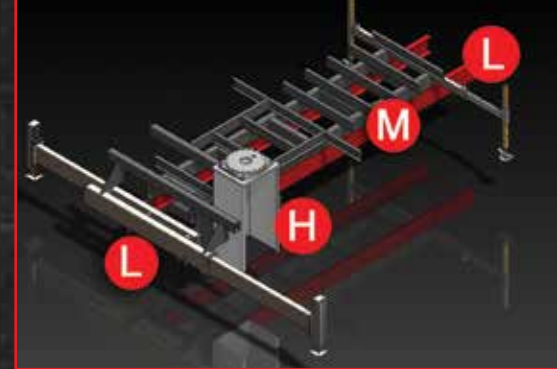
CRANE BODIES

DESIGNED AND MANUFACTURED FOR VENTURO CRANES

Venturo Crane Bodies are designed and manufactured for Venturo cranes – they provide the optimum foundation for the crane and for your work truck.

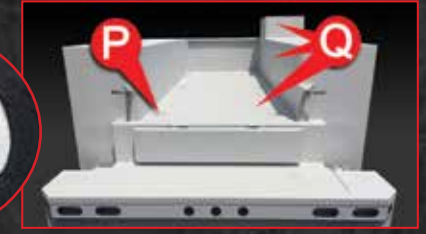
We manufacture **Rugged** and strong crane bodies. We build them **Reliable** and long-lasting, and we have **Real** expertise in serving as your number one industry resource.

- A** Jet Kote ASTM A-60 steel construction
- B** LED Stop/Turn/Tail/Backup, Marker and ID Lighting included with Wire Harness and Junction Box. All bodies are designed with pre-punched light mounting holes for ease of installation
- C** Optional workbench bumper with pass-through storage area and hinged doors with vice-plate
- D** Fold-down, rear tailgate sized to the full width of the bed opening with right-hand and left-hand zinc plated tailgate latches and hinges
- E** For more information about bed liners, contact your distributor
- F** Threepointkeyed-alikepremiumergonomic Eberhard compression door handles for increased ease of use
- G** Optional manual and hydraulic outrigger packages for total crane stability
- H** Unobstructed reinforced compartment for 25,000, 40,000, 50,000 and 66,000 ft/lb crane (Also shown on substructure drawing on opposite page)
- I** Dual weather stripping in protective door channels for added water protection
- J** Venturo Crane Bodies include mud flaps



- K** Gutter-styledriprailabovecompartmentdoorsforaddedwaterprotection
- L** Pre-installed front and rear outrigger cross-tubes with FULL STABILITY in all rotation zones (Shown in drawing to left)
- M** Substructure consists of a one-piece continuous longitudinal frame with integrated crane tower reinforcement up to 66,000 ft/lbs (Shown in drawing to left)
- N** Adjustable uni-strut shelf standards which allow greater flexibility for compartment loading

D-Rings - Cargo Tie Downs



- O** Rubber fenderettes come standard on crane bodies
- P** D-ring cargo tie downs installed in the cargo floor with a 5,000 lb maximum capacity (6–8 depending on body length)
- Q** 10-gaugediamond-platesteel cargo floor, sides and compartment tops provide extreme durability and secure auxiliary equipment mounting
- R** Bulkhead and wheel well panels constructed of 12-gauge Jet Kote ASTM A-60 steel sheet
- S** All stainless steel continuous hinges for unmatched security
- T** Stainless-steel spring-loaded door keepers hold doors open at 90 degrees and are self-closing
- U** Double-panellap-style 14-gaugeJet Kote ASTM A-60 steel doors
- V** Pre-punched bottle vents



VENTURO HT40 CRANE BODY

HT25

BODYMODEL	CA	CHASSIS MIN GVWR	FT/LB RATING	LENGTH	COMPARTMENT HEIGHT
HT25-107-FLT	60"	10,500	30,000	9'	44"
HT25-107-TFC	60"	10,500	30,000	9'	44"
HT25-131-FLT	84"	10,500	30,000	11'	44"
HT25-131-TFC	84"	10,500	30,000	11'	44"
HT25-131-DTF	84"	10,500	30,000	11'	44"

TFC Models include one 62" tall curbside front compartments
DTF Models include two 62" tall curbside and streetside front compartments

HT40

BODYMODEL	CA	CHASSIS MIN GVWR	FT/LB RATING	LENGTH	COMPARTMENT HEIGHT
HT40-131-FLT	84"	14,500	45,600	11'	44"
HT40-131-TFC	84"	14,500	45,600	11'	44"
HT40-131-DTF	84"	14,500	45,600	11'	44"

TFC Models include one 62" tall curbside front compartments
DTF Models include two 62" tall curbside and streetside front compartments

HT50

BODYMODEL	CA	CHASSIS MIN GVWR	FT/LB RATING	LENGTH	COMPARTMENT HEIGHT
HT50-131-FLT	84"	20,500	55,000	11'	50"
HT50-131-TFC	84"	20,500	55,000	11'	50"
HT50-131-DTF	84"	20,500	55,000	11'	50"

TFC Models include one 62" tall curbside front compartments
DTF Models include two 62" tall curbside and streetside front compartments

HT66

BODYMODEL	CA	CHASSIS MIN GVWR	FT/LB RATING	LENGTH	COMPARTMENT HEIGHT
HT66-132-DTF-WBB	84"	30,000	66,000	11'	54"
HT66-163-DTF-WBB	120"	30,000	66,000	14'	54"

HT66-132 includes two 62" tall curbside and streetside front compartments
HT66-163 includes six 62" tall curbside and streetside front compartments
WBB (Work Bench Bumper) is standard on HT66

FREIGHT NOT
INCLUDED IN
PRICE OF UNIT.
FREIGHT WILL
BE BILLED UPON
PURCHASE.