



2500 & 3000 LBS CAPACITY

HIGH-CYCLE RAILGATE MODELS

High-cycle models apply a steel roller and leaf-chain pulley system to maximize smoothness of motion, endurance, and strength. This medium-duty railgate is ideal for high-cycle applications in any environment. These lifts are built with the highest quality components and place a priority on function and safety.

89-30 EA55



High-cycle railgates come standard with safety trip bar, auto open and close, and recessed lights. Taper-integrated cart stops are optional on extruded-aluminum platform models.



ROLLERS

Steel rollers guide the platform vertically within the rail track and are designed to withstand intensive cycling. Dual-sealed, maintenance-free ball bearings ensure the rollers are long-lasting and perform consistently in all climate conditions.



HIGH-CYCLE MODELS FOR 96" WIDE BODIES¹

TWO-YEAR STANDARD WARRANTY

	Model Number	Body	Load Area	Taper	Bed Heights	Gate Weight
2500 lb. Capacity	Treadplate Platforms					
	89-25 TP36	96	89 x 36	12	32 - 54	1040
	89-25 TP42	96	89 x 42	12	32 - 54	1094
	89-25 TP48	96	89 x 48	12	32 - 54	1147
	Aluminum Platforms ¹					
	89-25 EA55	96	89 x 55	12	32 - 54	968
	Gas Bottle Rack Platforms					
89-25 GBR	96	82 x 30	12	38 - 54	1050	
3000 lb. Capacity	Treadplate Platforms					
	89-30 TP36	96	89 x 36	12	32 - 54	1040
	89-30 TP42	96	89 x 42	12	32 - 54	1094
	89-30 TP48	96	89 x 48	12	32 - 54	1147
	Aluminum Platforms ¹					
	89-30 EA55	96	89 x 55	12	32 - 54	968
	Gas Bottle Rack Platforms					
89-30 GBR	96	82 x 30	12	38 - 54	1050	

ADDITIONAL BODY SIZES

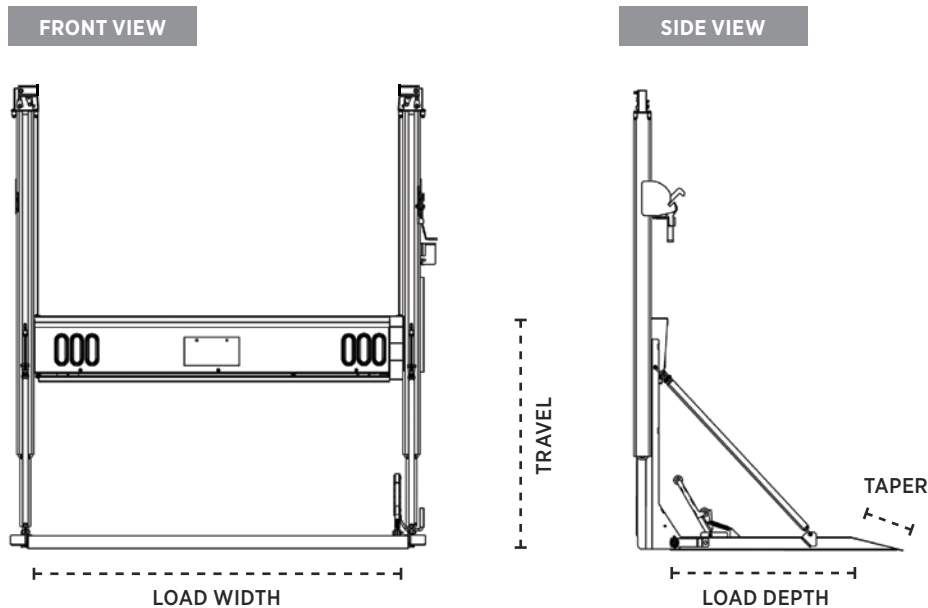
Body Size	Model	Load Width
90"	85	85
102"	95	95

IMPORTANT

High-cycle railgate models are intended for use on medium-duty trucks only.

1. See additional aluminum platform depths on page 31.
2. For detailed dimensions, visit www.tommygate.com

HIGH-CYCLE RAILGATE DIMENSIONS²



FREIGHT NOT
INCLUDED IN
PRICE OF UNIT.
FREIGHT WILL
BE BILLED UPON
PURCHASE.