

FLATBED, STAKE, & VAN BODY



RAILGATE
SERIES

RAILGATE SERIES - STANDARD MODELS WITH DOCK-FRIENDLY PLATFORMS

↑ 1600 & 2000 LBS CAPACITY



DOCK-FRIENDLY RAILGATE MODELS

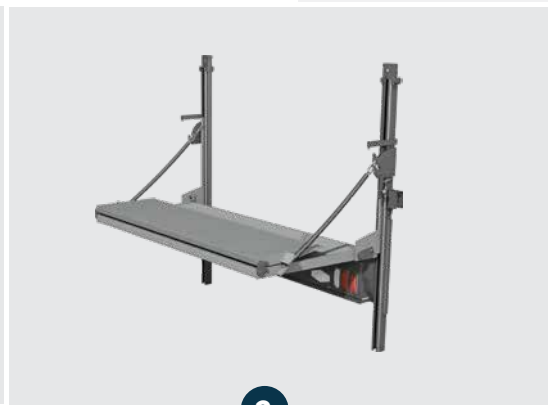
Dock-friendly models feature folding RF platforms able to achieve non-obstructing positions for forklift or dock loading. Also included are a closure-assist torsion bar and maintenance-free bushings, making them some of the best liftgates ever seen in a loading bay.

◀ 89-20 RF 45-12

Dock-friendly platforms fold and can be lowered in the vertical position to allow for easy dock or forklift loading.



1



2



3

PLATFORM DESCRIPTIONS

- RF 45-6** Two-piece Extruded Aluminum w/ 45" loading depth (15" flipper) + 6" taper (**30" base height**)
- RF 45-12** Two-piece Extruded Aluminum w/ 45" loading depth (10" flipper) + 12" taper (**35" base height**)
- RF 50-6** Two-piece Extruded Aluminum w/ 50" loading depth (15" flipper) + 6" taper (**35" base height**)

DOCK-FRIENDLY, STEEL-FRAME MODELS FOR 96" WIDE BODIES

ONE-YEAR STANDARD WARRANTY

	Model Number	Load Area	Taper	Travel	Gate Weight
1600 lb. Capacity	Folding Aluminum Platforms				
	89-16 RF 45-6	89 x 45	6	32 - 52	674
	89-16 RF 45-12	89 x 45	12	32 - 52	688
	89-16 RF 50-6	89 x 50	6	32 - 52	695
2000 lb. Capacity	Folding Aluminum Platforms				
	89-20 RF 45-6	89 x 45	6	32 - 52	674
	89-20 RF 45-12	89 x 45	12	32 - 52	688
	89-20 RF 50-6	89 x 50	6	32 - 52	695

DOCK-FRIENDLY, ALUMINUM-FRAME MODELS FOR 96" WIDE BODIES ¹

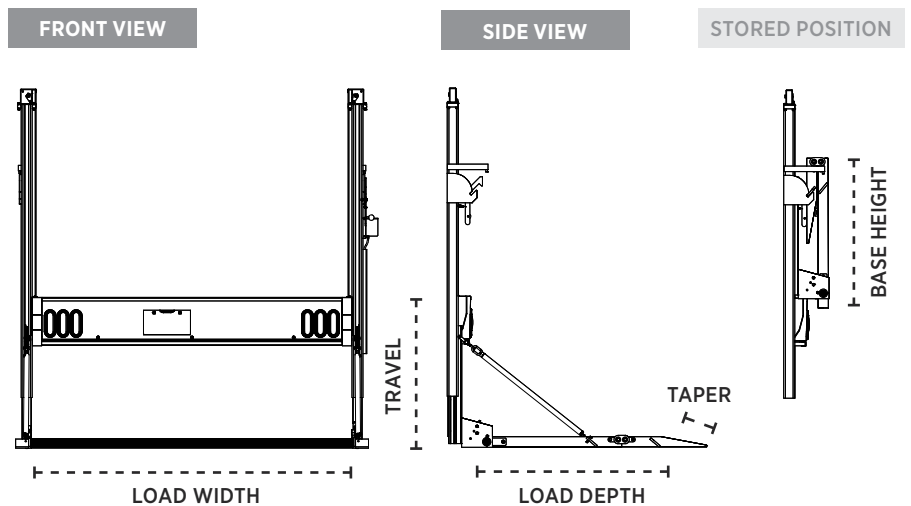
	Model Number	Load Area	Taper	Travel	Gate Weight
1600 lb. Capacity	Folding Aluminum Platforms				
	A85-16 RF 45-6	85 x 45	6	32 - 52	539
	A85-16 RF 45-12	85 x 45	12	32 - 52	553
	A85-16 RF 50-6	85 x 50	6	32 - 52	559
2000 lb. Capacity	Folding Aluminum Platforms				
	A85-20 RF 45-6	85 x 45	6	32 - 52	539
	A85-20 RF 45-12	85 x 45	12	32 - 52	553
	A85-20 RF 50-6	85 x 50	6	32 - 52	559

ADDITIONAL BODY SIZES

Body Size	Model	Load Width
90"	85	85
102"	95	95

1. Aluminum-Frame "Dock-Friendly" Railgate models are sized down due to the accompanying bolt-on mounting flanges. Contact factory for more details.
2. For detailed dimensions, visit www.tommygate.com

DOCK-FRIENDLY RAILGATE DIMENSIONS ²



FREIGHT NOT
INCLUDED IN
PRICE OF UNIT.
FREIGHT WILL
BE BILLED UPON
PURCHASE.