



ITEM #:	1200
BRAND	Anthony Liftgates
MODEL	Utility Series
DISCOUNT	30%

Available Units:

MODEL	MSRP	DISCOUNTED PRICE
ALB-1500-61	\$6320.00	\$4424.00
ALB-1500A-61	\$6920.00	\$4844.00
ALB-1500-61-BG	\$6320.00	\$4424.00
ALB-1500-61-BG-G	\$6826.00	\$4778.20
ALB-1500-61-G	\$6826.00	\$4778.20
ALB-1500A-61-G	\$7520.00	\$5264.00
LA-66-A	\$8672.00	\$6070.40
LA-66-A (CART STOPS)	\$9462.00	\$6623.40
LA-66-B-G	\$8672.00	\$6070.40
LA-66-A-G	\$9430.00	\$6601.00
LA-66-A-G (CART STOPS)	\$10220.00	\$7154.00
LA-66-BG-G	\$9430.00	\$6601.00
LA-86-A	\$9188.00	\$6431.60
LA-86-A (CART STOPS)	\$9978.00	\$6984.60
LA-86-BG	\$9188.00	\$6431.60
LA-86-A-G	\$9946.00	\$6962.20
LA-86-A-G (CART STOPS)	\$10736.00	\$7515.20
LA-86-BG-G	\$9946.00	\$6962.20

***Freight is not included in pricing. ***

Options:

Utility Body Mounting Brackets (ALB)	A-135161	\$92.00	\$64.40
Utility Body Mounting Brackets (ALB)	A-135161-G	\$118.00	\$82.60
Manual Cutoff Switch (ALB)	A-133307	\$118.00	\$82.60
Remote Cutoff Switch (In Cab) (ALB)	A-133036	\$176.00	\$123.20
Wireless Remote Control (ALB)	A-133398	\$1086.00	\$760.20
Additional Flush Mount Control (ALB)	A-150486	\$168.00	\$117.60
Handheld Pendant Control (ALB)	A-133096	\$478.00	\$334.60
Stop, Turn, Tail Light Kit (ALB)	A-135307	\$444.00	\$310.80
Stop, Turn, Tail Light Kit (ALB)	A-135307-G	\$468.00	\$327.60
Access Step Kit (ALB)	A-135305	\$112.00	\$78.40
Manual Cutoff Switch (LA)	A-133038	\$118.00	\$82.60
Remote Cutoff Switch (in Cab) (LA)	A-133036	\$176.00	\$123.20
Handheld Pendant Control (LA)	A-133581	\$478.00	\$334.60
Wireless Remote Control (LA)	A-133398	\$1086.00	\$760.20

BUILT FOR WORK

A work truck should be tough. To be sure ALB is up to the task, we endurance tested it to 100,000 cycles at maximum capacity. The result: zero failure, and no visible signs of wear to critical pivot points. **THAT is Anthony quality.**

STANDARD FEATURES

- **Anthony 3-Step Powder Coat**
Steel components are washed, shot blast prepped, and coated with premium finish.
- **EZ Mount**
Ships factory assembled, filled, and tested.
- **Industry-Leading Warranty**
2 years mechanical + 2 years electrical & hydraulic, parts and labor.
- **Circuit Protection**
200 Amp fuse protects truck wiring from a "dead short".
- **Pressure Compensated Flow Valve**
Constant, controlled speeds at all times. Prevents "free-fall" under certain hydraulic failures.
- **Easy Access Power Unit**
Accessible through steel panel on top of rear bumper housing.
- **Universal Mount**
Fits most full size domestic or foreign pickups, and most utility bodies. Designed to allow clearance with most hitch assemblies.

QUALITY COMES STANDARD

AVAILABLE PLATFORMS

Platform Type	Load Area + Ramp
Steel Ramped	50" x 41" + 6"
Aluminum Ramped	50" x 41" + 6"
Steel Bar Grate with Tire Rack	50" x 22"

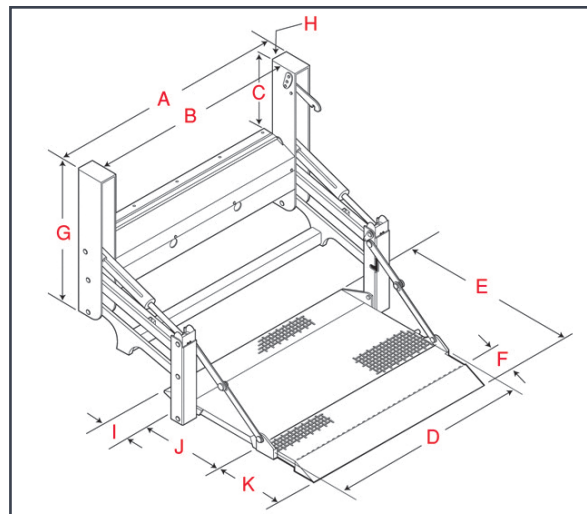
OPTIONS

- Galvanized finish with extended warranty
- Wireless, removable handheld corded, or dual control options.
- Access step kit
- Light kit
- Cab cutoff switch
- Utility body mounting kit

ALB DIMENSIONS

Bed Height Range Up to 46"

A	61.7"
B	52.5"
C	19.5"
D	50"
E	46"
F	5"
G	36.75"
H	4.6"
I	7.3"
J	21.8"
K	16.9"



Anthony Liftgates, Inc.

1037 W. Howard Street
P.O. Box 615
Pontiac, IL 61764-0615

Phone: 815.842.3383

Fax: 815.844.3612

Toll Free: 800.482.0003

www.anthonyliftgates.com

STANDARD FEATURES

- LED Lighting

Bright stop/turn/tail lights built in to the liftgate frame.

- Anthony 3-Step Powder Coat

Steel components are washed, shot blast prepped, and coated with premium finish.

- Pressure Compensated Flow Valve

Constant, controlled speeds at all times. Prevents "free-fall" under certain hydraulic failures.

- Circuit Protection

200 Amp fuse protects truck wiring from a "dead short".

QUALITY COMES STANDARD

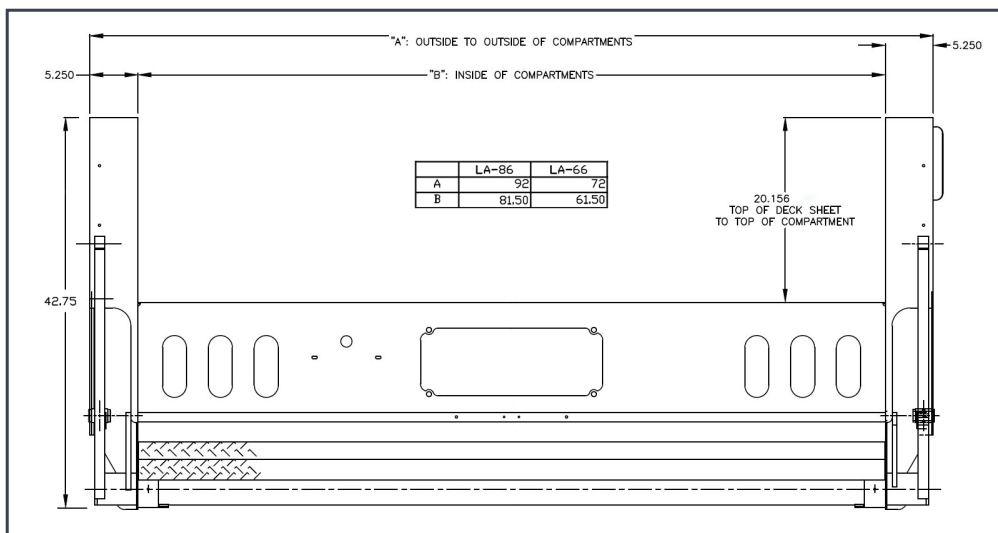
AVAILABLE MODELS, PLATFORMS, CAPACITIES

Model	LA-66	LA-86
Capacity (lbs)	1600	2000
Bed Height Range	Up to 54"	
Overall Width	72"	92"
Available Platforms (Load Area + Ramp)		
All Aluminum	65" x 41" + 6"	85" x 41" + 6"
Steel Bar Grate with Tire Rack	65" x 27"	85" x 27"

OPTIONS

- Galvanized Finish
- Wireless, removable handheld corded, & dual control options
- Dual, foot operated cart stops

LA MOUNTING DIMENSIONS



Anthony Liftgates, Inc.

1037 W. Howard Street
P.O. Box 615
Pontiac, IL 61764-0615

Phone: 815.842.3383

Fax: 815.844.3612

Toll Free: 800.482.0003

www.anthonyliftgates.com