

**PRIME<sup>3</sup>** Vacuum Assisted Suction Pump  
Model PT4TMSSS-4TNV88C SuperSilent Skid  
Size 4" Trash, Materials, Sludge Pump

Holland Pump Company  
Corporate Office: 7312 Westport Place  
West Palm Beach, FL 33413  
USA  
1-800-451-0769  
www.hollandpump.com

**PUMP SPECIFICATIONS**

**Type/Model:** Solids and slurry handling/Cornell 4NNDH Redi Prime  
**Volute:** Fine gray cast iron  
**Flanges:** 4" (100mm) suction, 4" (100mm) discharge  
**Impeller:** 2 Vane open Delta® impeller 10.09" diameter fine gray iron  
**Solids:** Handles 3" compressible, spherical solids  
**PRIME<sup>3</sup> Priming System:** Automatic dry priming and repriming system that features a 50 (24 l/s) cfm water tolerant, diaphragm vacuum pump driven by the main drive shaft. Our major competitors use a 15 cfm compressor pump with a small compressor venturi that can easily clog. The air/water separator is a simple, reliable stainless steel float that opens and closes a rubber plunger as water rises and falls. A non return valve isolates the pump during priming and protects against back flow  
**Discharge Valve:** Val-matic or equal  
**Seal:** Cornell patented Cycloseal® design with Run-Dry oil lubrication system. Single mechanical seal with Viton® Elastmers, stainless steel hardware and tungsten versus silicon-carbide seal faces for abrasion  
**Shaft Sleeve:** Heat treated 416 stainless steel  
**Bearings:** Heavy duty, grease lubricated, deep groove ball bearings, with a minimum of 50,000 hours bearing life

**SOUND ENCLOSURE SPECIFICATIONS**

**Sound Level:** Holland Pump Supersilent pump units are tested for Sound Level using the Contractors Pump Bureau Sound Level Measurement Standard for Pump Units using a calibrated Sound Level Meter. This procedure produces an average Sound Level based on eight measurements under strict conditions of pump placement. They are tested at full RPM pumping water. The sound level result is 57 dBA or less @ 23 feet.  
**Enclosure:** Steel construction, removable for ease of maintenance. Stainless steel accessories including bolt on, lift off hinges.  
**Base:** Environmentally safe spill containment type base  
**Lifting Access:** External lifting bail, integral forklift pockets

**ENGINE SPECIFICATIONS**

**Model:** Yanmar 4TNV88C  
**Type:** 4 Cylinder, 4 Stroke, Naturally Aspirated, Liquid Cooled Diesel Engine  
**Displacement:** 2.19 L (133.6cu.in.)  
**Governor:** Electronic  
**Lubrication:** Forced Circulation  
**Air Cleaner:** Dry Type with Replaceable Element  
**Lube Oil Capacity:** 1.95 U.S. Gallons (7.4L)  
**Coolant Capacity:** 2.1 U.S. Gallons (8L)  
**Fuel Tank:** Integral 68 U.S. Gallon Capacity (#2 Diesel Fuel)  
**Full Load Operating Time:** 60 Hours Minimum @ 2000 PSI  
**Starter:** 12 Volt, 2.0 kW

**Standard Features:** Skid, SAE Flywheel Housing, SAE Flywheel, SAE B Pump Adaptor,  
**Standard Instrument Panel:** Engine Temperature and Low Oil Pressure with optional Gauge, Key Start, and Hour Meter  
**Optional Features:** Site or DOT Highway Trailer, Automatic Remote Start/Stop, HANS (Holland Automatic Notification System), NEMA 4 Instrument Package  
**Covering:** Air Filter, Fuel Filter, Engine Temperature, Fuel Level, Engine Oil Pressure, Hour Meter, Amp Meter, Hydraulic Oil Pressure

PT4TMSSS-4TNV88C			Shutoff Head: 111 feet		
Flow (GPM)	Speed (RPM)	TDH (ft)	Pump Efficiency (%)	Power (hp)	Max Suction Head (ft)*
746	1770	72.9	61	22.6	16.7
627**	1770	80.1	61	20.7	18.5
622	1770	80.4	61	20.6	18.6
498	1770	87.8	60	18.3	20.4
373	1770	96	56	16.1	21.9
249	1770	95.2	47	12.7	22
*Max Suction Head is suction lift plus friction losses without risk of suction cavitation					
**Best Efficiency Point					

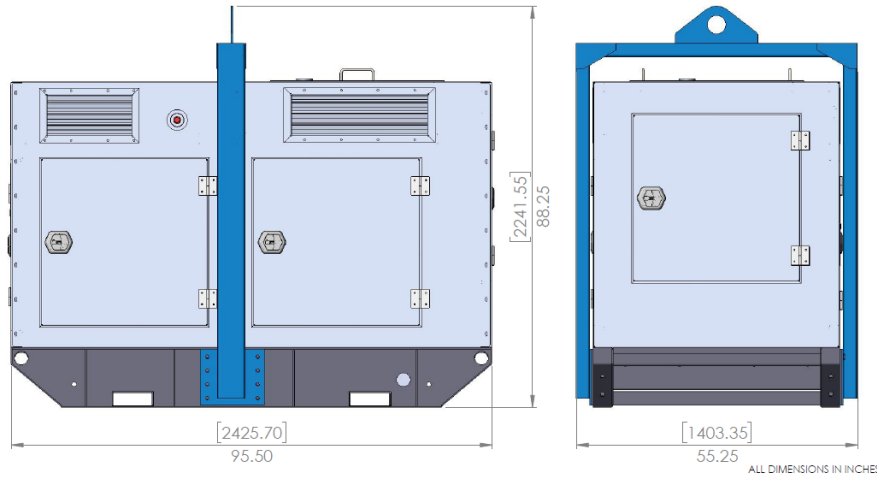
**Yanmar Published Performance:** Maximum Continuous BHP 45.6 BHP ( 34 kW ) @ 3000 RPM

Holland Pump Company  
Corporate Office: 7312 Westport Place  
West Palm Beach, FL 33413  
USA  
1-800-451-0769  
www.hollandpump.com

**PRIME<sup>3</sup>** Vacuum Assisted Suction Pump  
Model PT4TMSSS-4TNV88C SuperSilent Skid  
Size 4" Trash, Materials, Sludge Pump

Approximate Dimensions  
Powered by Yanmar 4TNV88C Diesel Engine

	Skid Base	DOT Trailer
Net Weight (lbs)	3110	3510
Net Weight (kg)	1157	1310
Shipping Weight (lbs)	3300	N/A
Shipping Weight (kg)	1231	N/A
Export Crate Size (cu. ft)	130	N/A



Performance Curve Model: PT4TMSSS-4TNV88C SuperSilent Skid  
Size: 4" Trash, Materials, Sludge Pump

