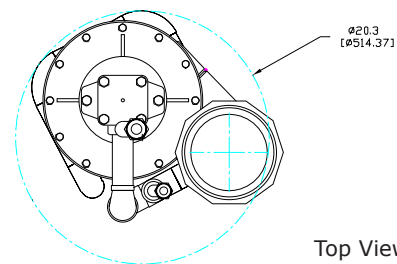


6" Hydraulically Driven Submersible System
Model H6TMS-SS-TD3.6L4 (SS-SuperSilent)
Size 6" Trash, Materials, Sludge Pump

Holland Pump Company
Corporate Office: 7312 Westport Place
West Palm Beach, FL 33413
USA
1-800-451-0769
www.hollandpump.com

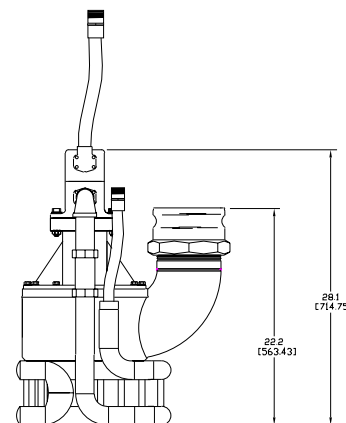
PUMP SPECIFICATIONS

- Size:** 6" Trash, Materials, Sludge Pump
- Volute:** Stainless Steel
- Impeller:** Recessed vortex, 6 Vane. (optional stainless steel or special abrasion resistant steel impellers are available)
- Solids:** Handles 3.5" diameter compressible spherical solids.
- Impeller Shaft:** High strength steel
- Seal:** Rotary Mechanical, oil-lubricated, carbon & ceramic (optional tungsten carbide or silicon carbide seals are available option)



Hydraulic System

- Hydraulic Reservoir level:** 50 gallon capacity with twin 10 micron spin on oil filter
- Hydraulic Oil:** Petroleum based AW68 Furnished standard (optional canola bio-degradeable oil or mineral based non-toxic inherently bio-degradeable oil available)
- Hydraulic Pump:** Denison vane type positive displacement pump with pilot operated Denison relief valve
- Hydraulic Motor:** Vickers vane type positive displacement motor; option Stainless Steel hat to protect Hydraulic motor
- Heat Exchanger:** Double row, SCH 40 pipe with integral intake basket (optional engine mounted oil cooler available)
- Hydraulic Hose:** 50' set of SAE 100R2, two wire braid high-pressure hose
- Pump Head Fail Safe Pressure Relief System:** Available as option to protect system against improper connection or interruption of biodegradable oil flow from pump head to power unit



Holland 6" Trash Materials, Sludge Pump

ENGINE SPECIFICATIONS

- Model:** Deutz TD3.6L4, Tier 4 Final
- Type:** 4 Cylinder, 4 Stroke, Turbo Charged, Liquid Cooled Diesel Engine
- Displacement:** 3.6L (220cu.in.)
- Governor:** Electronic
- Lubrications:** Forced Circulation
- Air Cleaner:** Dry Type with Replaceable Element
- Lube Oil Capacity:** 2.9 U.S. Gallons (9L)
- Coolant Capacity:** 3.4 U.S. Gallons (13L)
- Fuel Tank:** Integral 114 U.S. Gallon Capacity (#2 Diesel Fuel)
- Full Load Operating Time:** 60 Hours Minimum @ 2000 PSI
- Starter:** 12 Volt, 2.0 kW
- Standard Features:** Murphy control panel - 3 Gauges: Oil Pressure, Engine Temperature, Hour meter plus lights for engine running, low oil pressure, high engine temperature, overcrank, and overspeed. Toggle switch start/stop.
- Optional Features:** NEMA 4 Instrument Package Covering: Air Filter, Fuel Filter, Engine Temperature Level, Fuel Level, Engine Oil Pressure, Hour Meter, Amp Meter, Hydraulic Oil Pressure
- Deutz Published Performance:** Maximum Continuous Power: 72 BHP (57kW) @ 2400 RPM

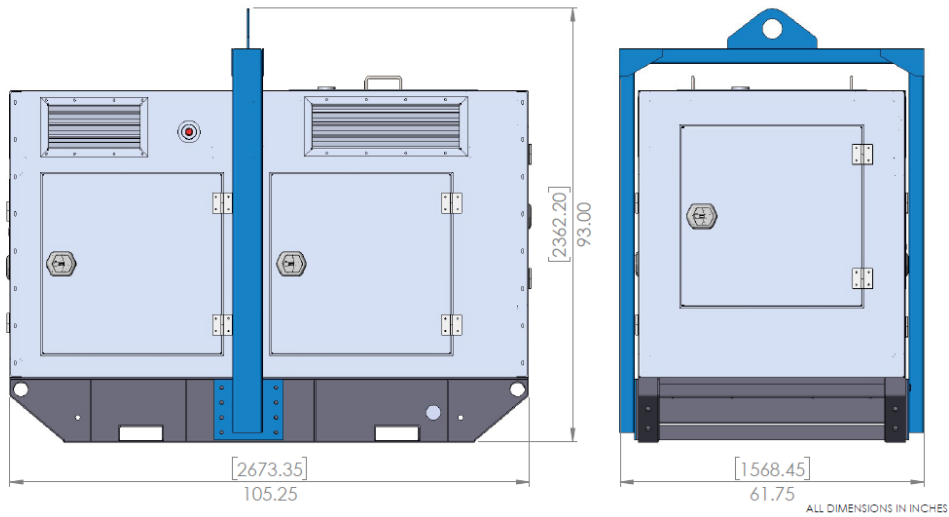
H6TMS @ 2000 PSI	Capacity of Pump in U.S. Gallons per Minute (gpm) (Continuous Performance)
20' / 9.14m	1200/272
10' / 4.57m	1400/318

6" Hydraulically Driven Submersible System
Model H6TMS-SS-TD3.6L4 (SS-SuperSilent)
Size 6" Trash, Materials, Sludge Pump

Holland Pump Company
Corporate Office: 7312 Westport Place
West Palm Beach, FL 33413
USA
1-800-451-0769
www.hollandpump.com

Approximate Dimensions
Powered by Deutz TD3.6L4 Engine, Optional
Single Axle Trailer Shown

	Skid Base	DOT Trailer	Pump
Net Weight (lbs)	2568	2968	195
Net Weight (kg)	1165	1346	239
Shipping Weight (lbs)	N/A	N/A	N/A
Export Crate Size (cu.ft)	198	N/A	16



Performance Curve Model: H6TMS-SS-TD3.6L4
Size: 6" Trash, Materials, Sludge Pump

TOTAL HEAD
PSI FT

