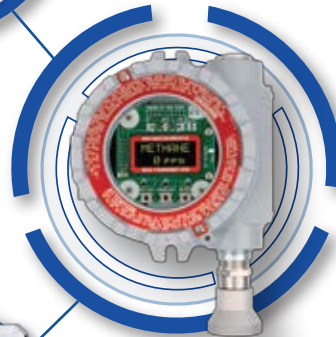


# 2022 PRICE LIST



INSTRUMENTS

Gas Detection For Life



Portable and Fixed Solutions

# Table of Contents

<b>Premier Portable Instruments</b>	<b>1</b>
GasWatch 3 Single Gas Personal Monitor .....	1
Replacement Sensors .....	1
GasWatch 3 Accessories & Replacement Parts .....	2
GasWatch 3 Calibration Kits .....	2
GP-03 Single Gas Combustible Monitor .....	3
GP-03 Instrument Price Includes .....	3
GP-03 Replacement Sensor .....	3
03 Series Calibration Kits .....	3
GP-03 Series Accessories & Replacement Parts .....	4
SDM-03 Calibration Station With AC Adaptor .....	5
SDM-03 Calibration Station Accessories .....	5
GP-03 Series Spare Parts Diagram .....	6
04 Series Single Gas Toxic Monitor .....	7
04 Series Replacement Sensors .....	7
04 Series Calibration Kits .....	8
04 Series Replacement Parts .....	8
SDM-04 Calibration Station With AC Adaptor* .....	9
04 Series Spare Parts Diagram .....	10
GX-3R Four Gas Confined Space Monitor .....	11
GX-3R Common Configurations .....	12
GX-3R Instrument Bundles (Instrument & Charger Included).....	12
GX-3R Calibration Kits .....	12
GX-3R Replacement Sensors .....	12
GX-3R Replacement Parts & Accessories.....	13
GX-3R Spare Parts Diagram .....	14
RP-3R Sample Drawing Pump For GX-3R.....	15
RP-3R Replacement Parts & Accessories .....	15
SDM-3R Calibration Station .....	15
GX-3R Pro Five Gas Personal Monitor .....	16
GX-3R Pro Common Configurations .....	17
GX-3R Pro Instrument Bundles (Instrument & Charger Included) .....	17
GX-3R Pro Replacement Sensors .....	17
GX-3R Pro Calibration Kits .....	18
GX-3R Pro Replacement Parts & Accessories .....	18
GX-3R Pro Spare Parts Diagram .....	20
SDM-3R Calibration Station .....	21
SDM-3R Cylinders .....	21
RP-3R Sample Drawing Pump For GX-3R Pro .....	22
RP-3R Pro Replacement Parts & Accessories .....	22
GX-2009 With 115 VAC Standard Charger .....	23
GX-2009 With 12 VDC Charger & Vehicle Plug.....	23
GX-2009 Four Gas Personal Monitor (Charger Not Included) .....	24
Replacement Sensors .....	24
GX-2009 Calibration Kits .....	25
SDM-2009 Calibration Station .....	26
GX-2009 Instrument Bundles (Instrument & Charger Included).....	27
GX-2009 Accessory Bundles (Instrument & Charger Not Included) .....	27
GX-2009 Accessories & Replacement Parts .....	28
GX-2009 Spare Parts Diagram .....	30
RP-2009 Sample Drawing Pump For GX-2009.....	31
GX-2009 MSHA With 115 VAC Standard Charger.....	32
GX-2009 MSHA With 12 VDC Charger & Vehicle Plug.....	32
GX-2009 MSHA Four Gas Personal Monitor (Charger Not Included) .....	32

# Table of Contents

## Premier Portable Instruments

GX-2012 Five Sensor Sample Draw Confined Space Monitor .....	35
GX-2012 Instrument Bundles (Instrument Included) .....	36
GX-2012 Replacement Sensors .....	36
GX-2012 Calibration Kits .....	36
SDM-2012 Calibration Station .....	37
GX-2012 Replacement Parts & Accessories .....	38
GX-2012 Spare Parts Diagram .....	40
GX-2012 Five Sensor Sample Draw Confined Space Monitor with CSA Approval .....	41
Gas Tracer Five Sensor Sample Draw Leak Checker & Confined Space Monitor .....	43
Gas Tracer Five Sensor Sample Draw Leak Checker & Confined Space Monitor with CSA .....	44
Replacement Sensors .....	45
Gas Tracer Calibration Kits .....	45
Gas Tracer Calibration Station .....	45
Replacement Parts & Accessories.....	47
GX-6000 Six Sensor Sample Draw Gas Monitor Price Configurator .....	48
GX-6000 Instrument Price Includes .....	49
GX-6000 Common Configurations .....	49
GX-6000 Bundles .....	49
GX-6000 Replacement Sensors .....	50
GX-6000 Calibration Kits .....	51
GX-6000 PID Replacement Lamps and Electrode Stacks .....	51
GX-6000 Replacement Parts & Accessories .....	52
GX-6000 Spare Parts Diagram .....	54
SDM-6000 Calibration Station .....	55
SDM-6000 Replacement Parts & Accessories .....	55
SDM-6000 Calibration Gas and Hardware .....	56
EAGLE 2 .....	57
Single Gas Models.....	59
Two Gas Models .....	60
Three Gas Models .....	62
Four Gas Models .....	64
Five Gas Models .....	66
Six Gas Models .....	68
Replacement Sensors .....	69
SDM-E2 Calibration Station .....	71
Calibration Equipment .....	71
EAGLE 2 Replacement Parts & Accessories .....	72
Eagle 2 Confined Space Kit (Instrument & Cal Kit Included) .....	74
EAGLE 1 .....	75
Single Gas Models.....	78
Two Gas Models .....	79
Three Gas Models .....	81
Four Gas Models .....	82
Five Gas Models .....	83
Six Gas Models .....	84
EAGLE Replacement Sensors .....	85
Calibration Equipment .....	86
EAGLE Replacement Parts and Accessories .....	87

# Table of Contents

<b>Specialty Portable Instruments</b>	<b>89</b>
GP-1000 Sample Draw Combustible with 25 Selectable Gases .....	89
NC-1000 PPM Scale Combustible Detector .....	89
SP-220 Combustible, Toxic, and Fumigant Leak Detector .....	90
FP-31 Formaldehyde Monitor .....	90
FI-8000 Optical Interferometer for Fumigants .....	91
SC-8000 Toxic Sample Draw Gas Monitor .....	91
GX-8000 Harsh Environment Sample Draw Gas Monitor .....	93
RX-8000 Series IR Combustible Monitor, 0 - 100% LEL / Volume .....	94
RX-8000 Series Dual Gas IR For LEL/Volume HC & Oxygen (RX-415 replacement) .....	94
RX-8500 LEL, % Vol CH4 IR / O2 / CO / CO2 .....	95
RX-8700 LEL, % Vol HC IR / O2 / H2S Low & High Range .....	96
<b>Discontinued Portables Replacement Parts</b>	<b>97</b>
GasWatch 2 Single Gas Monitor .....	97
03 SERIES Single Gas Monitor .....	98
03 SERIES Single Gas Monitor .....	99
Replacement Sensors .....	99
03 Series Spare Parts Diagram .....	99
01 Series Single Gas Monitor .....	100
SC-01 Accessories & Replacement Parts .....	101
GX-2001 Four Gas Personal Monitor .....	103
GX-2003 Five in One Sample Draw .....	105
GX - 94 Two, Three or Four Gas Diffusion .....	106
GX-82A & GX - 86A Multi-Gas Diffusion Monitor .....	107
GX-4000A Four Gas Detector (GX-111) .....	107
RI-415 & RX-415 Series IR Combustible Monitors, 0 - 100% LEL / Volume .....	108
RX-515, RX-516, & RX-517 Multi-Gas IR Monitors .....	109
P-200 Series Hand Aspirated Single Gas (GP-204, NP-204, XP-204) .....	110
FP-30 /FP-40 Formaldehyde Monitor Parts .....	110
RI-85 Hand Held Infrared CO2 Monitor Calibration Kits .....	110
GP-226 Dual Range Combustible Detector .....	111
OX-1C Oxygen Sample Draw Detector .....	111
OX-07 Oxygen Monitor with available Extender Cable .....	111
<b>Portable Replacement Sensors</b>	<b>113</b>
GX-3R   GX-3R Pro   04 Series   GasWatch 3 .....	113
GX-2009   GX-2012   Gas Tracer   GX-6000   03 Series   01 Series   GasWatch 2   GasWatch 3 (O2)   GX-2001   GX-2003 .....	113
GX-6000 .....	113
EAGLE 2 Series .....	113
GX-94 Series   CO-94 / HS-94 / OX-94   GasWatch 1 .....	114
GX-82 / GX-86 Series   GX-82A / GX-86A Series .....	114
EAGLE Series.....	114
Diffusion EAGLE .....	115
NP-85 .....	115
P-200 Series: GP-204 / NP-204 / XP-204 .....	115
82 Series: GP-82 / OX-82 / CO-82 / HS-82 / SO-82 .....	115
91 Series: CO - 91 / HS-91 / OX-91 / SO-91 .....	115
GX-91B .....	115
GP-85N   GP-88   GX-85N .....	116
GP-226 .....	116
GX-4000A   GX-111 .....	116
GX-7 .....	116
GX-8000 .....	116
NC-1000 .....	116

# Table of Contents

---

## Portable Replacement Sensors

OX-1 .....	116
OX-07 .....	116
RI-415   RX-415 .....	116
RX-8000 .....	116
SC-01.....	116
SC-90.....	117
SC-8000 .....	117
SP-205ASC .....	118
SP-220 .....	118
SP-237H .....	118
GT / Innova .....	118

## Calibration Equipment **119**

Cal Kit Cases .....	119
Regulators For 17 / 34 L Steel Cylinders .....	120
Regulators For 34L / 58L / 116L Aluminum & 103L Steel .....	121
Calibration Cylinders .....	122
Calibration Hardware .....	127

## Portable Calibration Kits **129**

01 Series .....	129
03 Series .....	130
EAGLE 1 .....	131
EAGLE 2 .....	139
Gas Tracer .....	141
GasWatch 2 .....	142
GasWatch 3 .....	142
GP-1000 .....	142
GX-2001 .....	143
GX-2003 .....	143
GX-2009 .....	145
GX-2012 .....	147
GX-3R .....	148
GX-3R Pro .....	148
GX-6000 .....	149
GX-8000 .....	149
P-200 Series .....	150
SC-01.....	151
SC-8000 .....	152
SP-220 .....	153

## Technical Services **155**

Field Service Rates .....	155
Services For Portable Instruments .....	156
Services For EAGLE & EAGLE 2 .....	156
Upgrades .....	157
EAGLE 1 Upgrades .....	157
EAGLE 2 Upgrades .....	157

# Table of Contents

<b>Fixed Systems Controllers</b>	<b>159</b>
Beacon 110 Single Channel Wall Mount Controller .....	159
Beacon 200 Two Channel Wall Mount Controller .....	160
Beacon 410A Four Channel Wall Mount Controller .....	161
Beacon 800 Eight Channel Wall Mount Controller .....	162
Beacon 3200 Thirty Two Channel Wall Mount Controller .....	163
MC-6400 Modbus 64 Channel, Wall Mount Controller .....	164
AC-7400 Analog Wall Mount Controller, 8 and 12 Channels .....	165
RM-5000 Series 2, 4, 6, 8, or 12 Multi-Channel Controller and Alarm .....	166
<b>Fixed Systems Sensors &amp; Transmitters</b>	<b>168</b>
Direct Connect Sensors no J-box .....	168
Explosion Proof Sensors, No J-Box, Class I, Division 1 Approved .....	168
Non-Explosion Proof Sensor, OK for Class I, Division 2, No J-box .....	168
Direct Connect Sensors with J-box .....	170
Explosion Proof: Class I, Division 1 Approved .....	170
Non Explosion Proof Sensors, OK for Class I, Division 2 .....	170
CT-7 Series with J-box .....	170
ESM-01 Series with J-box .....	171
Direct Connect Sensors Remote Mount with Calibration Adapter / Splash Guard .....	171
Direct Connect Replacement Sensors For Explosion Proof .....	172
Direct Connect Replacement Sensors For Non Explosion Proof .....	172
Direct Connect Replacement CT-7 Toxic Sensors .....	173
Direct Connect Replacement ESM-01 Toxic Sensors .....	173
S2 Series Diffusion Sensor / Transmitter .....	174
S2 Remote Mount with Calibration Adapter / Splash Guard .....	176
Replacement Sensors For Explosion Proof S2 Series .....	177
Replacement Sensors For Non Explosion Proof S2 Series .....	177
Replacement CT-7 Toxic Sensors for S2 Series .....	177
Replacement ESM-01 Toxic Sensors for S2 Series .....	178
M2A Series Stand Alone Transmitter .....	179
Remote Mount M2A with Calibration Adaptor / Splash Guard: Class I, Division 1 Approved .....	179
Non Explosion Proof M2A Assemblies with CT-7 Sensors: OK For Class I, Division 2 .....	180
Non Explosion Proof M2A Assemblies: OK For Class I, Division 2 .....	180
Calibration Kits .....	181
Replacement Sensors For Explosion Proof M2A Series .....	181
Replacement CT-7 Toxic Sensors for M2A Series .....	182
Replacement ESM-01 Toxic Sensors For Non Explosion Proof M2A Series .....	182
M2A Replacement Parts & Accessories .....	183
M2A Replacement Transmitters for Use with OLED Display .....	183
M2A Replacement Transmitters for Use with LCD Display (replacement for M2) .....	183
MPS LEL Variable Combustible Gas Sensor (Molecular Property Spectrometer) .....	184
T2A Series 2-Wire Transmitter .....	185
T2A Calibration Kits .....	186
T3A Series 3-Wire Transmitter without Relays .....	189
T3A Calibration Kits .....	190
VOC Pro PID Series Explosion Proof Transmitter without Relays, Class I, Div 1 .....	193
VOC Pro Series PID Replacement Lamps and Electrode Stacks .....	194
VOC Pro Calibration Kits .....	194

# Table of Contents

## Fixed Systems Sensors & Transmitters

Air Alert Stand-Alone Non Explosion Proof Transmitter.....	195
Air Alert Stand-Alone Non Explosion Proof Transmitter.....	196
Air Alert Stand-Alone Non Explosion Proof Transmitter with Relays.....	197
Air Alert Stand-Alone Non Explosion Proof Transmitter with Relays.....	198
SD-1 GP / RI / GH / EC / OX, 4-20 mA .....	200
SD-1 GP / RI / GH / EC / OX - HART .....	201
SD-1 GP / RI / GH / EC / OX - HART & SIL 2 .....	202
GD-70D Sample Drawing Sensor / Transmitter For Toxic Gases.....	204
GD-K88Ai Diffusion Sensor / Transmitter For Toxic Gases With Display.....	207

## AirLink Wireless Controllers & Transmitters

**208**

AirLink 7010 Hybrid Controller, 32 & 64 Channels .....	208
AirLink 7032 Hybrid Controller, 32 & 64 Channels with Touch Screen Display.....	209
AirLink 7543 Controller, 6 Channel with Modbus or HART .....	210
AirLink 9850, 255 Channel Digital Interface .....	211
AirLink 9100 Portable Signal Strength Meter (Handheld Portable) .....	212
AirLink 9900 Signal Repeater, Explosion Proof .....	212
AirLink 9900 Signal Repeater, Non Explosion Proof .....	212
AirLink 5900 4-20 mA Analog to Wireless Converter .....	212
AirLink 5950 Switch-State Transmitter .....	212
AirLink 7530 Relay Module, Non Explosion Proof .....	213
AirLink 7530XP Relay Module, Explosion Proof .....	213
AirLink 6900 Wireless Transmitter, Dual Battery Powered, Explosion Proof .....	214
Replacement Parts and Accessories for AirLink 6900 .....	215
AirLink T3A Wireless Transmitter, Wire Powered, Explosion Proof, No Relays .....	216
Replacement Parts and Accessories for AirLink T3A .....	216
AirLink VOC Pro PID Wireless Transmitter, Wire Powered, Explosion Proof, No Relays .....	217
Replacement Parts and Accessories for AirLink VOC Pro .....	217
AirLink VOC Pro Series PID Replacement Lamps and Electrode Stacks .....	218
AirLink 6940XP Quad Transmitter, Explosion Proof .....	219
AirLink 6940NXP Quad Transmitter, Non Explosion Proof .....	221
Replacement Parts and Accessories for AirLink 6940 NXP .....	222
AirLink Alert Wireless Transmitter, Battery Powered, Non Explosion Proof .....	223
Replacement Parts and Accessories for AirLink Alert .....	224
AirLink Replacement Sensors (Plug-in Sensors Only).....	224

## Fixed Indoor Stand Alone Monitors

**225**

OX-600 Indoor Stand Alone Oxygen Monitor Alkaline.....	225
OX-600 Indoor Stand Alone Oxygen Monitor 24 VDC .....	225
OX-600 Indoor Stand Alone Oxygen Monitor 115 VAC * .....	225
Replacement Parts & Accessories.....	225
Calibration Kits .....	225
EC-600 Indoor Stand Alone Carbon Monoxide Monitor Alkaline .....	226
EC-600 Indoor Stand Alone Carbon Monoxide Monitor 24 VDC .....	226
EC-600 Indoor Stand Alone Carbon Monoxide Monitor 115 VAC * .....	226
Replacement Parts & Accessories.....	226
Calibration Kits .....	226
RI-600 Indoor Stand Alone Carbon Dioxide Monitor - 24 VDC .....	227
RI-600 Indoor Stand Alone Carbon Dioxide Monitor - 115 VAC .....	227
Calibration Kits .....	227
Replacement Parts & Accessories.....	227

# Table of Contents

<b>Fixed Systems Specialty Products</b>	<b>228</b>
M - Series Low Cost Transmitter .....	228
PS 2 Combustible Single Point Stand Alone Monitor .....	228
RI-257 FC, HCFC, HFC & IPA Infrared Monitor .....	228
35-3001 Series Sample Draw Detector Assemblies (NEMA 4X Housing) .....	229
35-3001 Series Replacement Sensors .....	231
35-3001 / 35-3010 Series Replacement Parts .....	231
Explosion Proof Multi Point Detector Assembly, Class I, Div. 1 Approved .....	232
Wet Well Package .....	232
Rig Monitor H2S and/or LEL Systems .....	233
Single / Dual Point Air Aspirator Panel .....	234
Sample Adapters for Fixed Systems .....	235
Model 1017 Explosion Proof Sample Draw Direct Connect Sensor .....	236
Digester Gas Monitor .....	237
Digester Calibration Kits .....	237
Paper Tape Monitors .....	238
<b>Fixed Systems Legacy Products</b>	<b>239</b>
GD-K71D Replacement Sensors .....	239
GD-K71D Replacement Parts .....	239
GD-K8A Replacement Sensors .....	240
GD-K8A Replacement Parts .....	240
S- Series Diffusion Sensor / Transmitter .....	241
OX-500 & EC-500 Replacement Sensors .....	243
35-3000 Series Replacement Sensors .....	243
<b>Fixed Systems Accessories</b>	<b>244</b>
Lights, Strobes, and Horns - Non Hazardous Locations .....	244
Lights/Strobes and Horns - Hazardous Locations (Class I, Div 2) .....	245
Lights/Strobes and Horns - Hazardous Locations (Class I, Div 1) .....	246
Stacked Lights and Horn .....	246
Fixed Systems Replacement Parts and Accessories .....	246
Fixed Systems Replacement Parts and Accessories .....	247
<b>Fixed Systems Calibration Kits</b>	<b>249</b>
Kits for M2A, S2, and Direct Connect .....	249
Kits for M2A, S2, and Direct Connect (Toxic ESM-01 sensors) .....	250
Kits for M2A, S2, and Direct Connect (CT-7 sensors) .....	251
Kits for M2A, S2, and Direct Connect (IR XP sensors) .....	251
Kits for GD-A80 / GD-A80V .....	252
Kits For GD-K88Ai .....	252
Kits for PS 2 .....	253
Kits for M Series .....	253
Sample Draw Kits .....	254
Kit for EC-600 , OX-600, & RI-600 .....	254
Kit for OX-500 .....	254
Kits for T2A / T3A / AirLink 6900 / AirLink T3A .....	254
Kits for VOC Pro .....	255
Kits for Air Alert / AirLink Alert.....	255
Kits For RI-215A .....	255
Kits for SD-1 .....	255
Kits For Sample Draw Heads .....	256
<b>Numerical Index</b>	<b>258</b>



# Table of Contents

---

# Terms & Conditions

---

## Prices

Prices are subject to change without notice. All prices are in US Dollars.

## Payment Terms

Our payment terms are Net 30 Days Date of Invoice (Net 30 DOI) with credit approval. Customers with overdue accounts are subject to credit hold and might be required to prepay future shipments. Service fees will apply to all credit card payments – 2.5% for domestic shipments, 3.0% for international shipments.

## Minimum Billing/Handling Charges

\$30.00 net minimum billing (excluding shipping charges) applies to any order. A handling charge will be added to any order under our minimum billing to equal \$30.00.

## Freight Terms

All orders for domestic or international delivery are shipped FOB shipping point, regardless of point of origin. This applies to orders shipped from RKI as well as orders drop-shipped from third parties.

## Shipping Charges

Shipping is prepaid and added to the invoice at the shipper's current published rates, unless a collect account number is provided. Within North America, RKI ships via UPS ground unless otherwise specified. **Dangerous Goods Shipments** - Dangerous goods (calibration gas cylinders and kits) incur additional handling and shipping charges.

## International Shipping Charges

Any customs fees and import taxes or duties that apply at country of destination are the responsibility of the consignee. RKI quotes only the shipping (transportation) cost.

## Drop Shipments

RKI will drop ship to customers at no extra charge. RKI's default method of shipment is UPS Ground.

## Next Day Delivery

Orders that require next day delivery must be received by 12:00 noon Pacific Time. Items ordered will ship if they are in stock. Customers must confirm next day orders by phone to assure next day delivery. Fixed system orders require a minimum of 24 hours for set up and calibration.

## Order Acknowledgement

RKI confirms all orders by e-mail. Discrepancies must be challenged by the customer before the scheduled ship date; otherwise, RKI accepts no responsibility for incorrect orders.

## Shortages/Errors

Claims for shortage, shipping errors, or damage must be made within 7 days after receipt of shipment.

## Returns and Credits

Returns for credit must be pre-approved and accompanied by an RKI Material Return Form and include original packaging in good condition without any markings. Contact RKI with the reason for the return to obtain a Material Return Form and RMA number. RMA numbers are valid for 30 days only; after 30 days, a new return authorization must be requested. Returns not accompanied by a complete Material Return Form (with valid RMA number) will be returned to the sender. A restocking fee of \$75.00 or 10% of the invoice value (whichever is greater) will apply to all returns for credit. Shipping charges are not credited. No returns of sensors, or instruments with sensors, will be accepted after 30 days. No returns of dangerous goods (cylinders) or perishable items (tablets or tapes) will be accepted.

## Returns for Repair

All items returned for repair must be accompanied by a completed Service Order Form with each instrument. The form must include a description of the problem. Service Order Form: <https://www.rkiinstruments.com/download/forms/service-and-repair>

## Satisfaction Guarantee

We guarantee that our equipment will perform to our specifications. If the customer is not satisfied, the equipment may be returned to RKI within 15 days of original shipment for full credit less shipping charges, if accompanied by a completed Material Return Form (and valid RMA number) and in new condition.

**Calibration Certificates** Calibration certificates are available upon request at \$10 per instrument.



# Product Warranty

RKI Instruments, Inc. warrants gas alarm equipment sold by RKI to be free from defects in materials, workmanship, and performance for a period of one year\* from the date of shipment from RKI Instruments, Inc. (some products have 2 year or 3 year warranty, as listed below). Any parts found defective within that period will be repaired or replaced, at our option, free of charge. Parts must be returned to RKI Instruments, Inc. for repair or replacement. This warranty does not apply to those items which by their nature are subject to deterioration or consumption in normal service, or which must be cleaned, repaired or replaced on a routine basis.

Examples of such items are:

- a) . . . . . Pump diaphragms and valves
- b) . . . . . Fuses
- c) . . . . . Batteries
- d) . . . . . Filter elements
- e) . . . . . Scrubbers

Warranty is voided by abuse including mechanical damage, alteration, rough handling, liquid exposure, corrosion from battery leakage or repair procedures not in accordance with instruction manual. This warranty indicates the full extent of our liability, and we are not responsible for removal or replacement costs, local repair costs, transportation costs, or contingent expenses incurred without our prior approval.

THIS WARRANTY IS EXPRESSLY IN LIEU OF ANY AND ALL OTHER WARRANTIES AND REPRESENTATIONS, EXPRESSED OR IMPLIED, AND ALL OTHER OBLIGATIONS OR LIABILITIES ON THE PART OF RKI INSTRUMENTS, INC. INCLUDING BUT NOT LIMITED TO, THE WARRANTY OF MERCHANTABILITY OR FITNESS FOR A PARTICULAR PURPOSE. IN NO EVENT SHALL RKI INSTRUMENTS, INC. BE LIABLE FOR INDIRECT, INCIDENTAL OR CONSEQUENTIAL LOSS OR DAMAGE OF ANY KIND CONNECTED WITH THE USE OF ITS PRODUCTS OR FAILURE OF ITS PRODUCTS TO FUNCTION OR OPERATE PROPERLY.

This warranty covers instruments and parts sold to users only by authorized distributors, dealers and representatives as appointed by RKI Instruments, Inc.

We do not assume indemnification for any accident or damage caused by the operation of this gas monitor and our warranty is limited to the replacement of parts or our complete goods. Warranty covers parts and labor performed at RKI Instruments, Inc. only, and does not cover field labor or shipment of parts back to RKI.

\* Warranty is one year for all products and parts except as indicated below:

**2 Year warranty:**

The EAGLE 1, EAGLE 2, and GX-6000 instruments have a 2 year warranty with the exception of the PID sensor, which is warranted for one year (2 months for 11.7 eV lamps).

All of the above instruments also include a 2 year warranty on replacement sensors. Sensors damaged by poisoning, contamination, overexposure, or left off bias are not warranted.

**3 Year warranty:**

The HS-03, CO-03, 04 Series, GasWatch 3, GX-3R, and GX-3R Pro instruments have 3 year warranties, which cover the instrument and sensors with the exception of Cl2 & NH3 sensors having a 1 year warranty. Certain sensors for these models may have a shorter warranty. Refer to instrument specification for applicable sensor warranties.

**Labor warranty:**

Labor is warranted for 90 days from the completion of service.

# Premier Portable Instruments

## GasWatch 3 Single Gas Personal Monitor



<u>Part#</u>	<u>Description</u>	<u>Suggested Retail</u>
72-0012	GasWatch 3, O2, Galvanic sensor, with alligator clip.....	195.00
72-0012-01	GasWatch 3, O2, Galvanic sensor, with wrist band .....	195.00



73-0022	GasWatch 3, H2S, with alligator clip .....	195.00
73-0022-01	GasWatch 3, H2S, with wrist band .....	195.00



73-0023	GasWatch 3, CO, Electrochemical sensor, with alligator clip .....	195.00
73-0023-01	GasWatch 3, CO, Electrochemical sensor, with wrist band .....	195.00



73-0025	GasWatch 3, CO with H2 compensated sensor, with alligator clip .....	495.00
73-0025-01	GasWatch 3, CO with H2 compensated sensor, with wrist band .....	495.00



73-0026	GasWatch 3, CO/O2 combination, with alligator clip .....	495.00
73-0026-01	GasWatch 3, CO/O2 combination, with wrist band .....	495.00

## Replacement Sensors

<u>Part#</u>	<u>Description</u>	<u>Suggested Retail</u>
OS-BM2	Sensor, Galvanic, Oxygen (O2) 0-25% Vol. for GX-2009/GX-2012/GasTracer/GX-6000/OX-03/GasWatch 3	120.00
ESR-A13i-H2S	Sensor, Hydrogen Sulfide (H2S) 0-200 ppm for GX-3R/GX-3R Pro/GasWatch 3 .....	150.00
ESR-A13P-CO	Sensor, Carbon Monoxide (CO) 0-2000 ppm for GX-3R/GX-3R Pro/GasWatch 3 .....	150.00
ESR-A1CP-CO-H	Sensor, Carbon Monoxide (CO) 0-2000 ppm with H2 compensation for GX-3R/GX-3R Pro/GasWatch 3/ 04 Series .....	240.00
ESR-X1DP-CX	Sensor Combo, EC, Carbon Monoxide (CO) 0-300 ppm/Oxygen (O2) 0-25% vol. for GasWatch 3 and 04 Series .....	240.00



O2  
OS-BM2



H2S  
ESR-A13i-H2S



CO  
ESR-A13P-CO



CO (-H2)  
ESR-A1CP-CO-H



CO/O2  
ESR-X1DP-CX

# Premier Portable Instruments

## GasWatch 3 Accessories & Replacement Parts

<b>Part#</b>	<b>Description</b>	<b>Suggested Retail</b>
06-1248RK-03	Calibration kit tubing, polyurethane, 3/16" ID x 5/16" OD, 3 feet .....	4.50
07-0056	Sensor gasket, for GasWatch 3 .....	2.00
10-1088	Screw, M2 x 6, for sensor retainer and battery retainer, for GasWatch 3 .....	1.00
13-0105RK	Watchband replacement, for GasWatch 2/GasWatch 3 .....	7.00
13-0126	Alligator clip for GasWatch 3 .....	27.00
13-0204RK	Spring bar with outer tube for 03/04 Series and wrist band of GasWatch 2/GasWatch 3 .....	1.40
21-1955	Sensor retainer, for GasWatch 3 .....	2.80
21-1956	Battery retainer, for GasWatch 3 .....	2.80
33-0175	Hydrophobic filter, PF020 for 03 series/RP-2009/GasWatch 3 .....	1.80
33-7100	Charcoal filter disk for CO sensor, CF-6280 for Gaswatch 3 and 04 Series (pack of 5) .....	14.00
33-7136	Humidity filter disk for H2S or PH3 sensor (pack of 5) for GasWatch 3 / 04 Series .....	8.80
47-5084RK-01	Downloading cable, USB / IrDA adapter, Windows XP, Windows 7, Windows 8, and Windows 10 compatible .....	220.00
49-1404RK	Lithium battery, 3.0 volt, coin type, CR 2450 .....	2.60
81-0000RK-51	Cylinder, H2, 200 ppm in air, 34L steel .....	55.00
81-0062RK-01	Cylinder, CO 50 ppm in N2, 34L steel .....	55.00
81-0062RK-03	Cylinder, CO 50 ppm in N2, 103L steel .....	150.00
81-0064RK-01	Cylinder, CO 50 ppm in air, 34L steel .....	55.00
81-0064RK-03	Cylinder, CO 50 ppm in air, 103L steel .....	150.00
81-0076RK-01	Cylinder, Zero air, 34L steel .....	55.00
81-0076RK-03	Cylinder, Zero air, 103L steel .....	150.00
81-0078RK-01	Cylinder, N2 100%, 34L steel .....	55.00
81-0078RK-03	Cylinder, N2 100%, 103L steel .....	150.00
81-0151RK-02	Cylinder, H2S 25 ppm in N2, 58AL .....	150.00
81-0151RK-04	Cylinder, H2S 25 ppm in N2, 34AL .....	130.00
81-1050RK-25	Regulator, with gauge & knob, 17/34L, 0.25 LPM .....	125.00
81-1051RK-25	Regulator, with gauge and knob, 34AL/58AL/103L steel, 0.25 LPM, C-10 fitting .....	125.00
81-1194	Calibration adapter for GasWatch 3 .....	24.00

## GasWatch 3 Calibration Kits

<b>Instrument #</b>	<b>Cal-Kit Part #</b>	<b>Cal-Kit Description</b>	<b>Price</b>
72-0012	81-GW3OX	Cal kit, GasWatch 3, N2 100%, 103L steel cyl, regulator, cal cup, case & tubing	360.00
72-0012-01	81-GW3OX-LV	Cal kit, GasWatch 3, N2 100%, 34L cyl, regulator, cal cup, case & tubing	305.00
73-0022	81-GW3HS	Cal kit, GasWatch 3, H2S 25 ppm / N2, 58AL cyl, regulator, cal cup, case & tubing	365.00
73-0022-01	81-GW3HS-LV	Cal kit, GasWatch 3, H2S 25 ppm / N2, 34AL cyl, regulator, cal cup, case & tubing	380.00
73-0023	81-GW3CO	Cal kit, GasWatch 3, CO 50 ppm / N2, 103L steel cyl, regulator, cal cup, case & tubing	365.00
72-0023-01	81-GW3CO	Cal kit, GasWatch 3, CO 50 ppm / N2, 103L steel cyl, regulator, cal cup, case & tubing	365.00
73-0026	81-GW3CO-LV	Cal kit, GasWatch 3, CO 50 ppm / N2, 34L cyl, regulator, cal cup, case & tubing	305.00
73-0026-01	81-GW3CO-LV	Cal kit, GasWatch 3, CO 50 ppm / N2, 34L cyl, regulator, cal cup, case & tubing	305.00
73-0025	81-GW3COH-LV	Cal kit, GasWatch 3, CO 50 ppm / N2, 34L, H2 200 ppm / air, 34L, regulator, cal cup, case & tubing	325.00
73-0025-01	81-GW3COH-LV	Cal kit, GasWatch 3, CO 50 ppm / N2, 34L, H2 200 ppm / air, 34L, regulator, cal cup, case & tubing	325.00

## GP-03 Single Gas Combustible Monitor



Part#	Description	Suggested Retail
72-0037	GP-03, 0-100 % LEL with alligator clip and alkaline batteries	320.00
72-0037-05	GP-03, 0-100 % LEL with alligator clip, alkaline batteries, and calibration cup	345.00
72-0037-50	Kit including a GP-03 with alkaline batteries, screwdriver, and small padded case	405.00
72-0037-56	Kit including a GP-03 with alkaline batteries, screwdriver, case, and calibration kit (34L cyl 50% LEL CH4/Air, regulator, cal cup & tubing)	640.00



72-0038	GP-03, 0-100 % LEL with alligator clip and Ni-MH batteries only with no charger	345.00
72-0038-01	GP-03, 0-100 % LEL with alligator clip and Ni-MH batteries with 100-240 VAC / 12 VDC bench charger for 4 batteries	375.00
72-0038-05	GP-03, 0-100 % LEL with alligator clip and Ni-MH batteries with 100-240 VAC / 12 VDC bench charger for 4 batteries and calibration cup	405.00
72-0038-50	Kit including a GP-03 with Ni-MH batteries and 100-240 VAC / 12 VDC bench charger for 4 batteries, screwdriver, and small padded case	465.00
72-0038-56	Kit including a GP-03 with Ni-MH batteries and 100-240 VAC / 12 VDC bench charger for 4 batteries, screwdriver, case, and calibration kit (34L cyl 50% LEL CH4/Air, regulator, cal cup & tubing)	700.00

### GP-03 Instrument Price Includes

Part#	Description
13-0121	Alligator Clip for 03 series (requires 13-0204RK for installation)
20-0325	Rubber boot for 03 or 04 series
49-1110RK	Battery, alkaline, AAA

### GP-03 Replacement Sensor

Part#	Description	Suggested Retail
NC-6264A	Sensor, Methane (CH4) 0-100% LEL for GX-2009/GX-2012/GX-6000/GP-03/Gas Tracer	120.00

### 03 Series Calibration Kits

Instrument #	Cal-Kit Part #	Cal-Kit Description	Price
72-0037 72-0038	81-GP03	Cal kit, GP-03, 103L steel cyl 50% LEL CH4/Air, regulator, cal cup, case & tubing	370.00
	81-GP03-LV	Cal kit, GP-03, 34L cyl 50% LEL CH4/Air, regulator, cal cup, case & tubing	310.00
	81-GP03-HLV	Cal kit, GP-03, 34L cyl 50% LEL Hexane/Air, regulator, cal cup, case & tubing	310.00
	81-GP03H2-LV	Cal kit, GP-03, 34L cyl 50% LEL Hydrogen/Air, regulator, cal cup, case & tubing	310.00
	81-GP03IB-LV	Cal kit, GP-03, 34L cyl 50% LEL Isobutane/Air, regulator, cal cup, case & tubing	310.00

**Note:** Models HS-03, OX-03 and CO-03 have been replaced by the 04 Series. See page 7.

# Premier Portable Instruments

## GP-03 Series Accessories & Replacement Parts

Part#	Description	Suggested Retail
06-1248RK	Tubing, polyurethane, 3/16" ID x 5/16" OD, per foot.....	2.00
07-6031	Gasket for battery compartment cover on 03 series .....	2.00
07-6032	Gasket between front and rear case of 03 series .....	2.40
07-6033	Sensor gasket for 03 or 04 series .....	2.00
07-6034	Rubber sheet around buzzer on main board of 03 series.....	1.40
10-1105-01	Screw, M 2 x 8 mm, pan head phillips, with washer, SUSXM7, for 03 series.....	4.00
13-0112RK	Wrist strap .....	4.00
13-0121	Alligator Clip for 03 series (requires 13-0204RK for installation) .....	25.00
13-0122	Belt Clip for 03 or 04 series.....	18.00
13-0204RK	Spring bar with outer tube for 03/04 Series and wrist band of GasWatch 2/GasWatch 3 .....	1.40
13-1116	Screw for battery compartment cover of 03 series .....	4.00
15-0500	Battery contact short for 03 series.....	5.20
15-0501	Battery contact piece (-) for 03 series .....	2.60
15-0502	Battery contact piece (+) for 03 series .....	2.60
20-0110RK-01	Case for 1-3 cylinders, 17/34L/34AL, with foam.....	100.00
20-0115RK-01	Padded carrying case for one GX-3R, GX-3R Pro, GX-2009 or 03 series instrument and charger only .....	80.00
20-0325	Rubber boot for 03 or 04 series .....	14.00
21-1908	Battery compartment cover for 03 series .....	5.40
21-1909	Battery contact holder for 03 series .....	3.00
21-1910	Rear case for GP-03 and OX-03 .....	16.00
21-1913	Front case assembly for 03 series .....	20.60
29-0651	Label, silver, RKK address for 03 series .....	0.50
29-0652	Label, front for GP-03 .....	6.00
29-6100	Water immersion sensing seal, adhesive backed for 03 series, GX-6000, and SP-220.....	10.00
30-1055	Vibration motor for 03 series .....	20.00
33-0175	Hydrophobic filter, PF020 for 03 series/RP-2009/GasWatch 3 .....	1.80
33-7106RK	Charcoal filter disk for CO sensor, strip of 5, for CO-03, GasWatch 2, GasWatch 3 .....	12.00
33-7114RK	Filter disk, H2S scrubber, strip of 5, for LEL sensor port, GP-01/GX-2001/GX-2009/GX-2012/Gas Tracer/ GX-6000/GP-03 .....	10.00
47-5084RK-01	Downloading cable, USB / IrDA adapter, Windows XP, Windows 7, Windows 8, and Windows 10 compatible .....	220.00
49-1110RK	Battery, alkaline, AAA .....	1.20
49-1312	Battery, Ni-MH, AAA, Eneloop by Panasonic .....	12.60
49-2058RK-04	AC adapter 4 port charger for SDM-2009, SDM-2012, and SDM-03.....	88.00
49-3105RK	Charger, Ni-MH, charges four AA or AAA size with A/C adapter and DC vehicle plug .....	36.00
49-3106RK	Charger, Ni-MH, charges twelve AA or AAA size with A/C adapter and DC vehicle plug .....	75.00
51-1130	LCD Module for 03 series .....	18.00
57-1282	Main PC board assembly, GP-03 .....	160.00
81-0002RK-01	Cylinder, H2, 50% LEL in air, 34L steel .....	55.00
81-0002RK-03	Cylinder, H2, 50% LEL in air, 103L steel .....	150.00
81-0007RK-01	Cylinder, Hexane 15% LEL/air, 34L steel .....	55.00
81-0007RK-03	Cylinder, Hexane 10% LEL (0.11%) in air, 103L steel .....	150.00
81-0012RK-01	Cylinder, CH4 50% LEL in air, 34L steel .....	55.00
81-0012RK-03	Cylinder, CH4 50% LEL/air, 103L steel .....	150.00
81-0018RK-01	Cylinder, isobutane 50% LEL in air, 34L steel.....	55.00
81-0018RK-03	Cylinder, isobutane 50% LEL in air, 103L steel .....	150.00
81-1050RK	Regulator, with gauge & knob, 17/34L, 0.5 LPM, CGA 600 fitting.....	125.00
81-1051RK	Regulator, with gauge & knob, 34AL/58AL/103L steel, 0.5 LPM, C-10 fitting .....	125.00
81-1146	Calibration adapter for 03 and 04 series .....	30.00

# Premier Portable Instruments

## SDM-03 Calibration Station With AC Adaptor

Part#	Description	Suggested Retail
81-SDM03-01	Single point calibration station for 03 Series, model SDM-03 with AC Adaptor, flash drive, USB cable, & tubing.....	1,280.00
81-SDM03-02	Single point calibration station for 03 Series, model SDM-03 with AC Adaptor, flash drive, USB cable, tubing, & demand flow regulator...	1,520.00
81-SDM03-03-GP	Single point calibration station for 03 Series, model SDM-03 with AC Adaptor, flash drive, USB cable, tubing, demand flow regulator & 103L steel cyl 50% LEL CH4/Air .....	1,735.00
81-SDM03-06-GP	Single point calibration station for 03 Series, model SDM-03 with AC Adaptor, flash drive, USB cable, tubing, demand flow regulator & 34L cyl 50% LEL CH4/Air .....	1,615.00



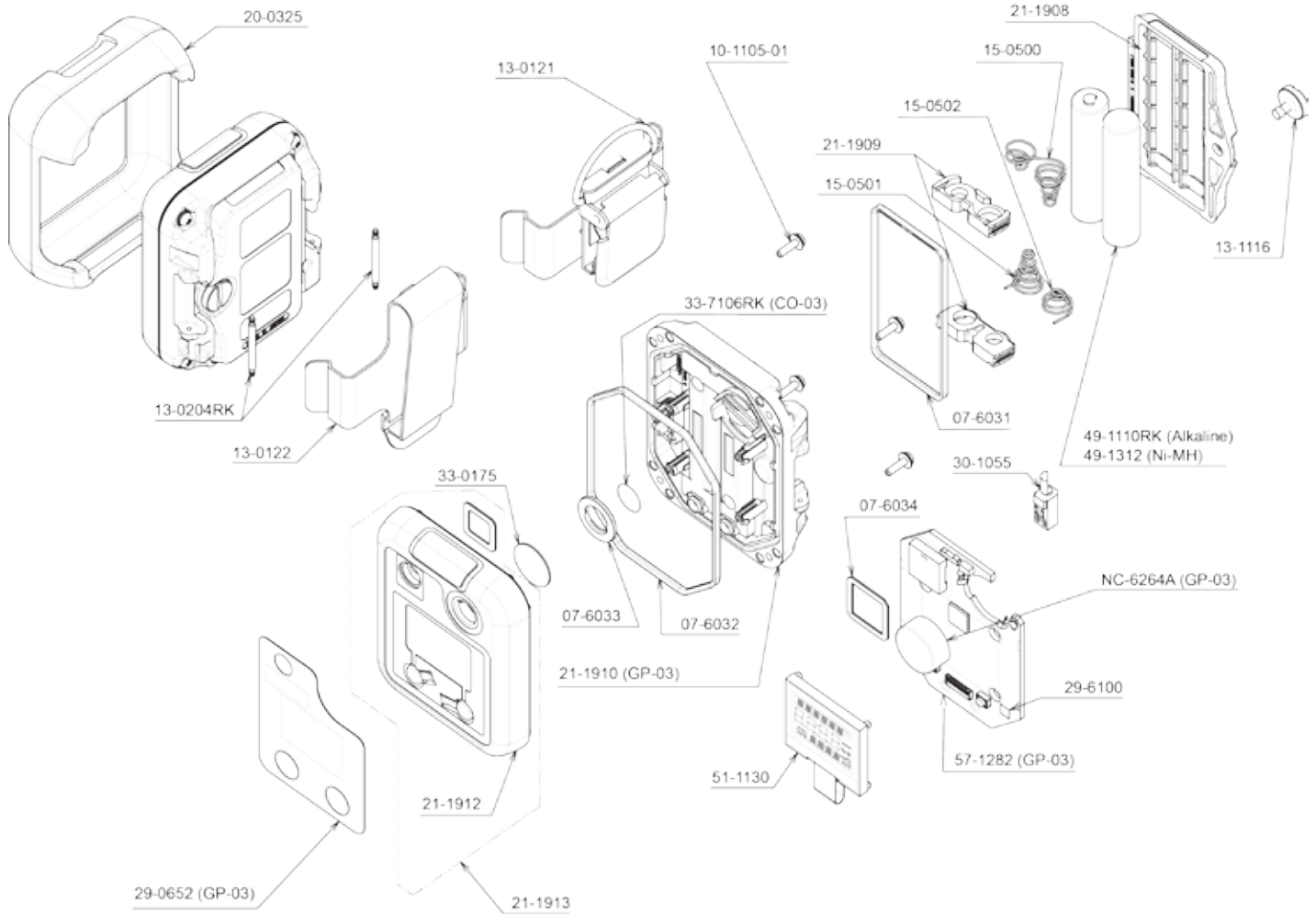
## SDM-03 Calibration Station Accessories

Part#	Description	Suggested Retail
33-0167RK	Filter, particulate, CF-8369 .....	25.00
49-2058RK-04	AC adapter 4 port charger for SDM-2009, SDM-2012, and SDM-03.....	88.00
81-0002RK-01	Cylinder, H2, 50% LEL in air, 34L steel .....	55.00
81-0002RK-03	Cylinder, H2, 50% LEL in air, 103L steel .....	150.00
81-0007RK-01	Cylinder, Hexane 15% LEL/air, 34L steel .....	55.00
81-0007RK-03	Cylinder, Hexane 10% LEL (0.11%) in air, 103L steel .....	150.00
81-0012RK-01	Cylinder, CH4 50% LEL in air, 34L steel .....	55.00
81-0012RK-03	Cylinder, CH4 50% LEL/air, 103L steel .....	150.00
81-0018RK-01	Cylinder, isobutane 50% LEL in air, 34L steel.....	55.00
81-0018RK-03	Cylinder, isobutane 50% LEL in air, 103L steel .....	150.00
81-0064RK-01	Cylinder, CO 50 ppm in air, 34L steel .....	55.00
81-0064RK-03	Cylinder, CO 50 ppm in air, 103L steel .....	150.00
81-0078RK-01	Cylinder, N2 100%, 34L steel .....	55.00
81-0078RK-03	Cylinder, N2 100%, 103L steel .....	150.00
81-0151RK-04	Cylinder, H2S 25 ppm in N2, 34AL .....	130.00
81-1054RK	Regulator, demand flow for 34AL/58AL/103L/116L cylinders .....	280.00
81-1055RK	Regulator, demand flow for 17L/34L steel steel cylinders .....	280.00
82-6002	PC Controller with ethernet networking kit for SDM-2009, SDM-2012, and SDM-03 calibrations stations, 11.5 inch screen 64 bit Windows 7 Professional pc with SDM PC Controller software installed and 6' ethernet cable .....	795.00
82-6050RK	USB Hub, 4 port 2.0 for SDM-03/SDM-2009/SDM-2012 .....	30.00
82-6051RK	USB Hub, 7 port 2.0 for SDM-03/SDM-2009/SDM-2012 .....	90.00
82-6105RK	USB flash drive, 1 GB, for calibration stations .....	25.00



# Premier Portable Instruments

## GP-03 Series Spare Parts Diagram



Part #	Description
NC-6264A	LEL sensor
07-6031	Gasket for battery lid
07-6032	Gasket between top case and bottom case
07-6033	Gasket for sensor
07-6034	Rubber sheet, Black,
10-1105-01	Cross-recessed pan head screw M2x8 SUSXM7
13-0112RK	Hand strap
13-0121	Alligator clip assembly with ring
13-0122	Belt clip
13-0204RK	Spring pin for clip

Part #	Description
13-1116	Screw for battery lid
15-0500	Battery contact short
15-0501	Battery contact piece (-)
15-0502	Battery contact piece (+)
20-0325	Rubber protection cover, Black
21-1908	Battery lid
21-1909	Battery contact piece holder
21-1910	Bottom case (GP-03/OX-03)
21-1911	Bottom case (CO-03/HS-03)
21-1912	Top case
21-1913	Top case assembly
29-0652	Panel sheet RKI version (GP-03)

Part #	Description
29-6100	Water immersion sensing seal
30-1055	Vibration motor
33-0175	Hydrophobic filter for sensor
33-7114RK	H2S scrubber filter for LEL sensor, strip of 5
33-7106RK	H2S scrubber filter for CO sensor, strip of 5
49-1110RK	Alkaline battery AAA (2 required)
49-1312	Ni-MH battery AAA (2 required)
51-1130	LCD module
57-1282	Main PCB assembly (GP-03)
81-1146	Calibration adapter

# Premier Portable Instruments

## 04 Series Single Gas Toxic Monitor



73-0018\*  
OX-04

73-0063\*  
HS-04

73-0065\*  
CO-04

73-0069  
CX-04

73-0081  
SC-04

Part#	Description	Suggested Retail
72-0018 *	OX-04, Oxygen (O2) 0-40%, alkaline batteries and alligator clip .....	195.00
73-0063 *	HS-04, Hydrogen Sulfide (H2S) 0-200 ppm, alkaline batteries and alligator clip.....	195.00
73-0065 *	CO-04, Carbon Monoxide (CO) 0-2000 ppm, alkaline batteries and alligator clip .....	195.00
73-0067	CO-04C, Carbon Monoxide (CO) 0-2,000 ppm with H2 compensation, alkaline batteries and alligator clip	495.00
73-0069	CX-04, Carbon Monoxide (CO) 0-2,000 ppm and Oxygen (O2) 0-25%, alkaline batteries with alligator clip	495.00
73-0077	SC-04, Ammonia (NH3), 0-400 ppm, alkaline batteries with alligator clip .....	495.00
73-0075	SC-04, Chlorine (Cl2), 0-10 ppm, alkaline batteries with alligator clip .....	495.00
73-0071	SC-04, Hydrogen Cyanide (HCN) 0-30 ppm, alkaline batteries with alligator clip .....	495.00
73-0073	SC-04, Nitrogen Dioxide (NO2) 0-20 ppm, alkaline batteries with alligator clip .....	495.00
73-0079	SC-04, Phosphine (PH3) 0-20.00 ppm, alkaline batteries with alligator clip .....	495.00
73-0081	SC-04, Sulfur Dioxide (SO2) 0-100 ppm, alkaline batteries with alligator clip .....	495.00

## 04 Series Replacement Sensors

Part#	Description	Suggested Retail
ESR-B134-NH3	Sensor, Ammonia (NH3) 0-400 ppm for GX-3R Pro / SC-04 .....	240.00
ESR-A13P-CO	Sensor, Carbon Monoxide (CO) 0-2000 ppm for GX-3R/GX-3R Pro/ GasWatch 3 .....	150.00
ESR-A1CP-CO-H	Sensor, Carbon Monoxide (CO) 0-2000 ppm with H2 compensation for GX-3R/GX-3R Pro/GasWatch 3/04 Series .....	240.00
ESR-X1DP-CX	Sensor Combo, EC, Carbon Monoxide (CO) 0-300 ppm/Oxygen (O2) 0-25% vol. for GasWatch 3 and 04 Series .....	240.00
ESR-B136-CL2	Sensor, Chlorine (Cl2) 0-10 ppm for GX-3R Pro / SC-04.....	240.00
ESR-A13D-HCN	Sensor, Hydrogen Cyanide (HCN) 0-30 ppm for GX-3R Pro / SC-04 .....	240.00
ESR-A13i-H2S	Sensor, Hydrogen Sulfide (H2S) 0-200 ppm for GX-3R/GX-3R Pro/ GasWatch 3 .....	150.00
ESR-A13D-NO2	Sensor, Nitrogen Dioxide (NO2) 0-20 ppm for GX-3R Pro / SC-04 .....	240.00
ESR-X13P-OXY	Sensor, Oxygen (O2) 0-25% vol for GX-3R/GX-3R Pro .....	150.00
ESR-A13D-PH3	Sensor, Phosphine (PH3) 0-20.00 ppm for GX-3R Pro / SC-04 .....	240.00
ESR-A13D-SO2	Sensor, Sulfur Dioxide (SO2) 0-100 ppm for GX-3R Pro/SC-04 .....	240.00



**Note:** Available September 2022\*

# Premier Portable Instruments

## 04 Series Calibration Kits

Instrument #	Cal-Kit Part #	Cal-Kit Description	Price
73-0063	81-HS04-LV	Cal kit, HS-04, 34AL cyl H2S 25 ppm in N2, regulator, cal cup, case & tubing	475.00
73-0065	81-CO04-LV	Cal kit, CO-04, 34AL cyl CO 50 ppm in N2, regulator, cal cup, case & tubing	310.00
73-0067	81-CO04C-LV	Cal kit, CO-04C, 34L cyl CO 50 ppm in N2, 34L cyl H2 200 ppm in air, regulator, cal cup, case & tubing	350.00
73-0069	81-CX04-LV	Cal kit, CX-04, 34L cyl CO 50 ppm in N2, regulator, cal cup, case & tubing	310.00
73-0071	81-SC04HCN-LV	Cal kit, SC-04, 34AL cyl HCN 10 ppm in N2, regulator, cal cup, case & tubing	490.00
73-0073	81-SC04NO2-LV	Cal kit, SC-04, 34AL cyl NO2 10 ppm in N2, regulator, cal cup, case & tubing	530.00
73-0077	81-SC04NH3-LV	Cal kit, SC-04, 34AL cyl NH3 25 ppm in N2, regulator, cal cup, case & tubing	550.00
73-0079	81-SC04PH3-LV	Cal kit, SC-04, 34AL cyl PH3 0.5 ppm in N2, regulator, cal cup, case & tubing	530.00
	81-SC04CL2-LV	Cal kit, SC-04, 34AL cyl CL2 2 ppm in N2, regulator, cal cup, case & tubing	490.00
73-0081	81-SC04SO2-LV	Cal kit, SC-04, 34AL cyl SO2 5 ppm in N2, regulator, cal cup, case & tubing	395.00

## 04 Series Replacement Parts

Part#	Description	Suggested Retail
07-6033	Sensor gasket for 03 or 04 series .....	2.00
10-1105-01	Screw, M 2 x 8 mm, pan head phillips, with washer, SUSXM7, for 03 series.....	4.00
13-0112RK	Wrist strap .....	4.00
13-0122	Belt Clip for 03 or 04 series.....	18.00
13-0128	Alligator clip assembly, 04 Series .....	36.00
13-0204RK	Spring bar with outer tube for 03/04 Series and wrist band of GasWatch 2/GasWatch 3 .....	1.40
20-0325	Rubber boot for 03 or 04 series .....	14.00
33-7100	Charcoal filter disk for CO sensor, CF-6280 for Gaswatch 3 and 04 Series (pack of 5) .....	14.00
33-7136	Humidity filter disk for H2S or PH3 sensor (pack of 5) for GasWatch 3 / 04 Series .....	8.80
33-7136-01	Humidity filter disk for H2S or PH3 sensor for GasWatch 3 / 04 Series.....	2.00
33-7138	H2S filter set (pack of 5) for HCN sensor, 04 Series .....	74.00
33-7138-01	H2S filter disk for HCN sensor, 04 Series .....	16.00
33-7139	H2S filter set (pack of 5) for SO2 or NO2 sensors, 04 Series .....	8.80
33-7139-01	H2S filter disk for SO2 or NO2 sensors, 04 Series .....	2.00
33-7141	Humidity filter disk, CF-B134-1,for NH3 sensor, 04 Series,pack of 5.....	12.00
33-7141-01	Humidity filter disk, CF-B134-1,for NH3 sensor, 04 Series.....	2.60
47-5084RK-01	Downloading cable, USB / IrDA adapter, Windows XP, Windows 7, Windows 8, and Windows 10 compatible .....	220.00
49-1110RK	Battery, alkaline, AAA .....	1.20
49-1312	Battery, Ni-MH, AAA, Eneloop by Panasonic .....	12.60
49-3105RK	Charger, Ni-MH, charges four AA or AAA size with A/C adapter and DC vehicle plug .....	36.00
81-1146	Calibration adapter for 03 and 04 series .....	30.00

# Premier Portable Instruments

## SDM-04 Calibration Station With AC Adaptor\*

Part#	Description	Suggested Retail
81-SDM04-01	Single point calibration station for 04 Series, model SDM-04 with AC Adaptor, flash drive, USB cable, & tubing.....	1,280.00
81-SDM04-02	Single point calibration station for 04 Series, model SDM-04 with AC Adaptor, flash drive, USB cable, tubing, & demand flow regulator...	1,520.00
81-SDM04-03-CO	Single point calibration station for 04 Series, model SDM-04 with AC Adaptor, flash drive, USB cable, tubing, demand flow regulator & 103L steel cyl 50 ppm CO/N2 .....	1,670.00
81-SDM04-03-CX	Single point calibration station for 04 Series, model SDM-04 with AC Adaptor, flash drive, USB cable, tubing, demand flow regulator & 103L steel cyl 50 ppm CO/N2.....	1,735.00
81-SDM04-03-HCN	Single point calibration station for 04 Series, model SDM-04 with AC Adaptor, flash drive, USB cable, tubing, demand flow regulator & 58AL cyl 10 ppm HCN/N2 .....	1,835.00
81-SDM04-03-HS	Single point calibration station for 04 Series, model SDM-04 with AC Adaptor, flash drive, USB cable, tubing, demand flow regulator & 58AL cyl 25 ppm H2S/N2 .....	1,735.00
81-SDM04-03-NO2	Single point calibration station for 04 Series, model SDM-04 with AC Adaptor, flash drive, USB cable, tubing, demand flow regulator & 58AL cyl 5 ppm NO2/Air .....	1,860.00
81-SDM04-03-OX	Single point calibration station for 04 Series, model SDM-04 with AC Adaptor, flash drive, USB cable, tubing, demand flow regulator & 103L steel cyl 100% N2 .....	1,735.00
81-SDM04-03-PH3	Single point calibration station for 04 Series, model SDM-04 with AC Adaptor, flash drive, USB cable, tubing, demand flow regulator & 58AL cyl 0.5 ppm PH3/N2 .....	1,875.00
81-SDM04-03-SO2	Single point calibration station for 04 Series, model SDM-04 with AC Adaptor, flash drive, USB cable, tubing, demand flow regulator & 58AL cyl 10 ppm SO2/N2 .....	1,720.00

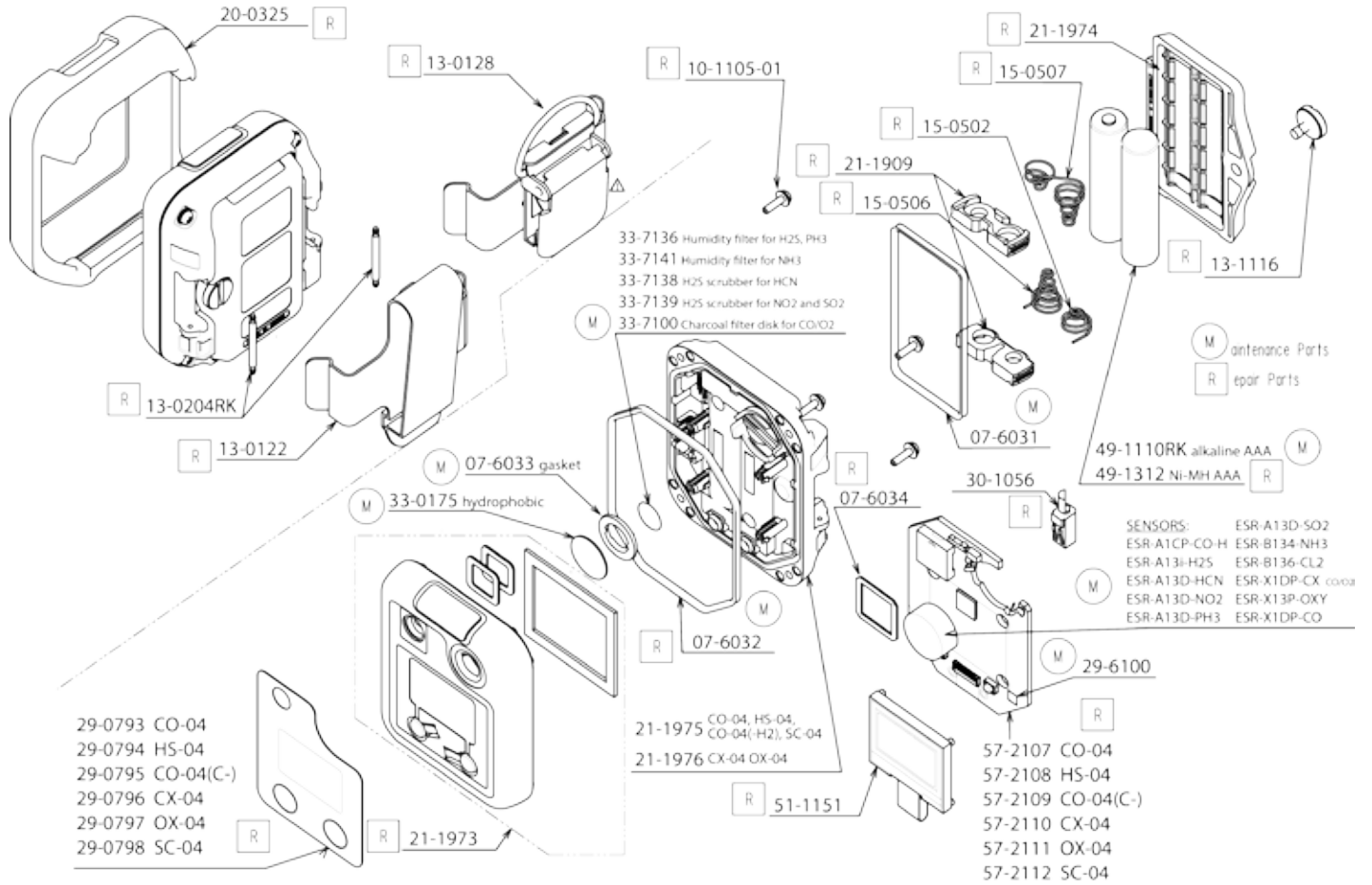


**Note:** SDM-04 cannot be used for Cl2, NH3, or CO(-H2) sensor calibrations. These versions must use a standard cal kit.

\* Available October 2022

# Premier Portable Instruments

## 04 Series Spare Parts Diagram



# Premier Portable Instruments

## GX-3R Four Gas Confined Space Monitor

Base Instrument	4 Gas Sensors	Battery
<b>72 - R</b>	<b>A</b>	<b>C</b>
<b>Step 1</b>		<b>Step 2</b>
Sensors		Battery
\$595		\$0
		\$595
Total List Price		



Above Example:

Part#	Description	Suggested Retail
72-RA-C	GX-3R for LEL / O2 / H2S / CO with Li-Ion battery pack and 100-240 VAC charger .....	\$595

### Step 1

#### Standard 4 gas sensors

Part#	Description	Price
A	LEL / O2 / combo H2S / CO	595.00
B	LEL / O2 / H2S	595.00
C	LEL / O2 / CO	595.00
D	LEL / O2 / CO (H2 compensated CO sensor)	765.00
E	LEL / combo H2S / CO	570.00
F	O2 / combo H2S / CO	570.00
G	LEL / O2	545.00
H	LEL / H2S	570.00
I	LEL / CO	570.00
J	LEL / CO (H2 compensated CO sensor)	740.00
K	O2 / CO (H2 compensated CO sensor)	740.00
L	combo H2S / CO	545.00
M	LEL	520.00
N	O2	520.00
O	H2S	545.00
P	CO	545.00
Q	CO (H2 compensated CO sensor)	715.00
R	O2 / CO	570.00

### Step 2

#### Battery options

Part#	Description	Price
C	Li-Ion battery pack with 100-240 VAC Charger	0.00
D	Li-Ion battery pack with 12 VDC charger and vehicle plug	0.00
E	Li-Ion battery pack only (No charger)	-50.00
F	Li-Ion battery pack with 100-240 VAC and 12 VDC chargers	50.00

#### Instrument Price Includes

13-0112RK	Wrist strap
20-0332	Rubber boot for GX-3R
81-1192	Calibration adapter for GX-3R

# Premier Portable Instruments

## GX-3R Common Configurations

Part#	Description	Suggested Retail
72-RA-C	GX-3R, 4 gas, LEL / O2 / combo H2S & CO with 100-240 VAC charger .....	595.00
72-RB-C	GX-3R, 3 gas, LEL / O2 / H2S with 100-240 VAC charger .....	595.00
72-RC-C	GX-3R, 3 gas, LEL / O2 / CO with 100-240 VAC charger .....	595.00
72-RG-C	GX-3R, 2 gas, LEL / O2 with 100-240 VAC charger .....	545.00
72-RI-C	GX-3R, 2 gas, LEL / CO with 100-240 VAC charger .....	570.00

## GX-3R Instrument Bundles (Instrument & Charger Included)

### 100-240 VAC Versions

Part#	Description	Suggested Retail
72-RA-C	GX-3R, 4 gas, LEL / O2 / combo H2S & CO with 100-240 VAC charger .....	595.00
72-RA-C-51	GX-3R for LEL/O2/CO/H2S bundled with hand aspirator, 100-240 VAC charger, screwdriver and carrying case .....	875.00
72-RA-C-56	GX-3R for LEL/O2/CO/H2S bundled with 100-240 VAC charger, 34AL cylinder CH4/O2/H2S/CO, 0.25 LPM regulator, tubing, screwdriver, and carrying case .....	1,070.00
72-RA-C-58	GX-3R for LEL/O2/CO/H2S bundled with RP-3R, 10' hose & probe, 100-240 VAC charger, screwdriver and carrying case .....	1,135.00
72-RA-C-59	GX-3R for LEL/O2/CO/H2S bundled with RP-3R, 10' hose & probe, 100-240 VAC charger, 34AL cylinder CH4/O2/H2S/CO, 0.25 LPM regulator, tubing, screwdriver, and carrying case .....	1,490.00



72-RA-C-59

## GX-3R Calibration Kits

Instrument #	Cal-Kit Part #	Cal-Kit Description	Price
72-RA-C 72-RB-C	81-GX3RHSCO	Cal kit, GX-3R or GX-3R Pro, 58AL cyl H2S 25 ppm / CO 50 ppm / CH4 50% LEL / O2 12% in N2, regulator 0.25 LPM, case & tubing	380.00
	81-GX3RHSCO-116	Cal kit, GX-3R or GX-3R Pro, 116AL cyl H2S 25 ppm / CO 50 ppm / CH4 50% LEL / O2 12% in N2, regulator 0.25 LPM, case & tubing	510.00
	81-GX3RHSCO-LV	Cal kit, GX-3R or GX-3R Pro, 34AL cyl H2S 25 ppm / CO 50 ppm / CH4 50% LEL / O2 12% in N2, regulator 0.25 LPM, case & tubing	385.00
72-RC-C 72-RG-C 72-RI-C	81-GX3RCO	Cal kit, GX-3R or GX-3R Pro, 103L steel cyl CO 50 ppm / CH4 50% LEL / O2 12% in N2, regulator 0.25 LPM, case & tubing	340.00
	81-GX3RCO-LV	Cal kit, GX-3R or GX-3R Pro, 34L cyl CO 50 ppm / CH4 50% LEL / O2 12% in N2, regulator 0.25 LPM, case & tubing	280.00

## GX-3R Replacement Sensors

Part#	Description	Suggested Retail
NCR-6309	Sensor, LEL 0-100% for GX-3R/GX-3R Pro .....	150.00
ESR-X13P-OXY	Sensor, Oxygen (O2) 0-25% vol for GX-3R/GX-3R Pro .....	150.00
ESR-A1DP-COHS	Sensor, CO/H2S combination, CO 0-2000 ppm, H2S 0-200 ppm for GX-3R / GX-3R Pro / GasWatch 3 / 04 Series .....	240.00
ESR-A1CP-CO-H	Sensor, Carbon Monoxide (CO) 0-2000 ppm with H2 compensation for GX-3R/GX-3R Pro/GasWatch 3/04 Series .....	240.00
ESR-A13P-CO	Sensor, Carbon Monoxide (CO) 0-2000 ppm for GX-3R/GX-3R Pro/ GasWatch 3 .....	150.00
ESR-A13i-H2S	Sensor, Hydrogen Sulfide (H2S) 0-200 ppm for GX-3R/GX-3R Pro/ GasWatch 3 .....	150.00



H2S/CO  
ESR-A1DP-COHS



O2  
ESR-X13P-OXY



LEL  
NCR-6309

# Premier Portable Instruments

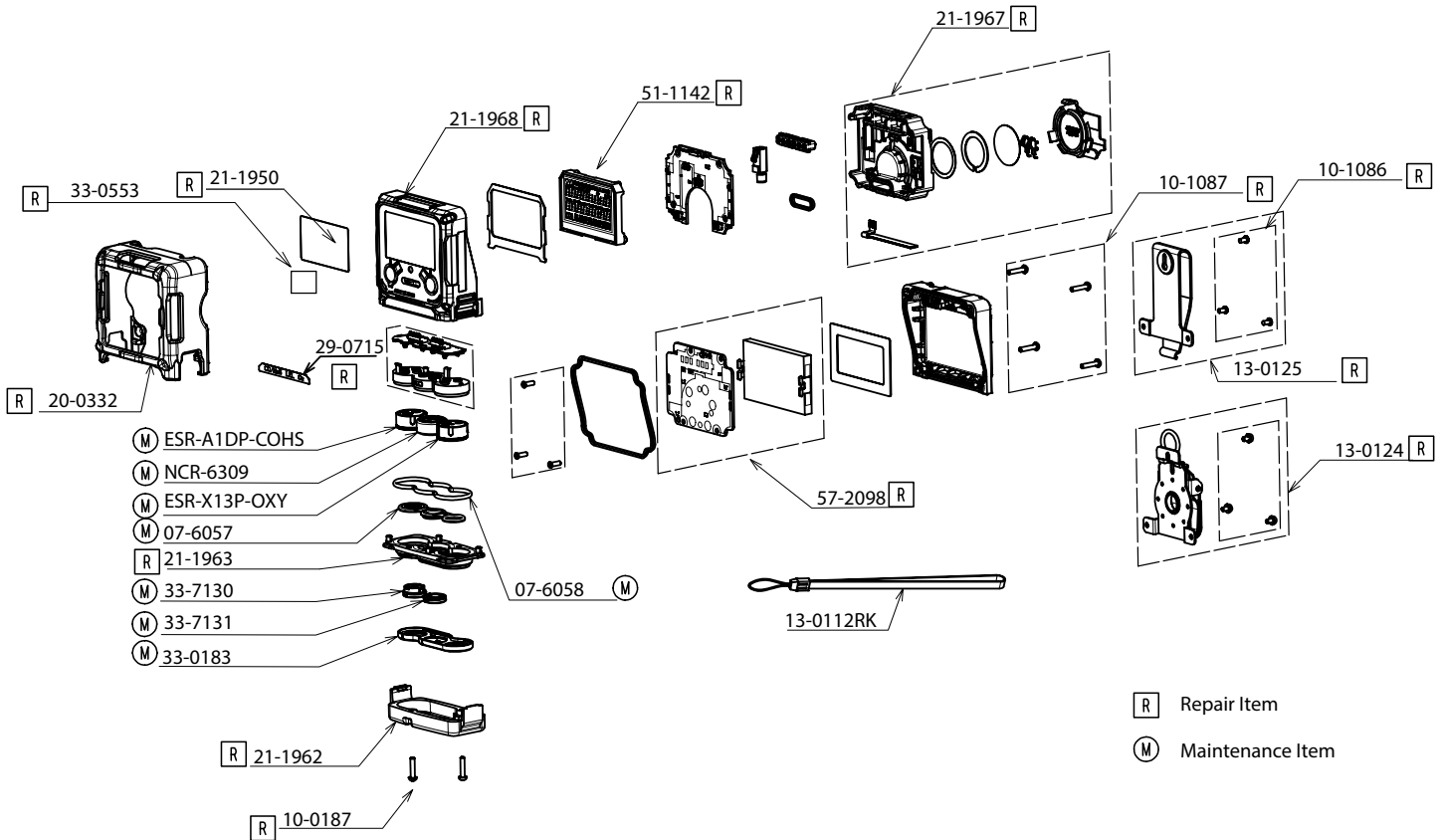
## GX-3R Replacement Parts & Accessories

Part#	Description	Suggested Retail
10-1086	Screw with flat & lock washers for GX-3R/GX-3R Pro belt clip, M2 x 4, SS, pan head, phillips	1.00
10-1087	Screw for GX-3R/GX-3R Pro sensor cap & battery pack, M2 x 10, SS, phillips, 1 each	1.00
10-1119	Screw, M3 x 12 mm, stainless steel, charger screw to SDM-3R	1.50
13-0112RK	Wrist strap	4.00
13-0124	Alligator clip with installation screws for GX-3R/GX-3R Pro	26.00
13-0125	Belt clip with installation screws for GX-3R/GX-3R Pro	28.00
20-0112RK-01	Padded carrying case for GX-3R, GX-3R Pro, or GX-2009 aspirator kit	115.00
20-0112RK-02	Padded carrying case for GX-3R, GX-3R Pro, or GX-2009, aspirator, and cal kit.	180.00
20-0115RK-01	Padded carrying case for one GX-3R, GX-3R Pro, GX-2009 or 03 series instrument and charger only	80.00
20-0116	Case with foam, generic for small portable instruments including 03/04 Series/GX-3R/GX-3R Pro/GX-2009	18.00
20-0332	Rubber boot for GX-3R	18.00
21-1950	LCD protection film for GX-3R/GX-3R Pro	6.00
21-1950-05	LCD protection film for GX-3R/GX-3R Pro, pack of 5	30.00
21-1967	Rear case assembly with Li-Ion battery for GX-3R	210.00
21-1968	Front case with overlay for GX-3R	48.00
33-0183	Hydrophobic dust filter with integral gasket for sensors, GX-3R	15.00
33-0183-10	Hydrophobic dust filter with integral gasket for sensors, GX-3R, pack of 10	135.00
33-0553	Buzzer protection cover for GX-3R	6.00
33-7130	Scrubber disk filter for CO/H2S sensor (pack of 5) for GX-3R & GX-3R Pro	26.00
33-7131	Scrubber disk filter for combustible sensor, CF-6309 (5pcs/pack)	26.00
33-7132	Scrubber disk filter, charcoal, for CO & H2 comp CO sensor, CF-A1CP (pack of 5), (not used on CO/H2S combo sensor) for GX-3R & GX-3R Pro	26.00
33-7133	Humidity filter disk for H2S or PH3 sensor, CF-A13i (pack of 5) for GX-3R/GX-3R Pro/04 Series	35.00
33-7142-01	Filter set for 1 GX-3R: 1 scrubber disk filter for CO/H2S sensor / 1 scrubber disc filter for LEL sensor / 1 hydrophobic filter with gasket	30.00
33-7142-05	Filter set for 5 GX-3R: 5 scrubber disk filter for CO/H2S sensor / 5 scrubber disc filter for LEL sensor / 5 hydrophobic filter with gasket	127.00
47-1019	Replacement charging cord, 2 ft each, for GX-3R / GX-3R Pro	14.00
47-5084RK-01	Downloading cable, USB / IrDA adapter, Windows XP, Windows 7, Windows 8, and Windows 10 compatible	220.00
47-5102	5-unit charging connector bar with 5 charging cables (47-1019) for GX-3R & GX-3R Pro, no AC adapter	175.00
49-0133	AC adapter, 100 - 240 VAC, 5.99 VDC 2A, for GX-3R/GX-3R Pro/SDM-3R	90.00
49-0134	Multi-unit AC adapter, 100 - 240 VAC (5.99 VDC out) for charging 5 instruments, GX-3R / GX-3R Pro	265.00
49-2021	DC adapter with vehicle plug & 4 ft cable, 12-24 VDC for GX-3R and GX-3R Pro	50.00
65-7004	Dummy sensor for GX-3R/GX-3R Pro	5.00
71-0477	Manual for GX-3R	0.00
81-0090RK-01	Cylinder, CO 50 ppm / CH4 50% LEL / O2 12 % in N2, 34L steel	55.00
81-0090RK-03	Cylinder, CO 50 ppm / CH4 50% LEL / O2 12 % in N2, 103L steel	150.00
81-0154RK-02	Cylinder, H2S 25 ppm / CO 50 ppm / CH4 50% LEL / O2 12% in N2, 58AL	190.00
81-0154RK-04	Cylinder, H2S 25 ppm / CO 50 ppm / CH4 50% LEL / O2 12% in N2, 34AL	160.00
81-0154RK-06	Bump test cylinder, H2S 40 ppm / CO 100 ppm / Methane 50% LEL / O2 12% in N2, 11AL aerosol	55.00
81-0154RK-116	Cylinder, H2S 25 ppm / CO 50 ppm / CH4 50% LEL / O2 12% in N2, 116AL	320.00
81-1050RK-25	Regulator, with gauge & knob, 17/34L, 0.25 LPM	125.00
81-1051RK-25	Regulator, with gauge and knob, 34AL/58AL/103L steel, 0.25 LPM, C-10 fitting	125.00
81-1161	Hand aspirated sample adapter for GX-3R with 10' hose	95.00
81-1192	Calibration adapter for GX-3R	10.00
81-1197	RP-3R pump with tapered red nozzle for GX-3R	360.00
81-1198	RP-3R pump with 10 ft hose, 10 inch probe, and tapered red nozzle for GX-3R	420.00



# Premier Portable Instruments

## GX-3R Spare Parts Diagram



Part	Description
07-6057	Sensor gasket, GX-3R
07-6058	Sensor case o-ring, GX-3R
10-1086	Screw with flat & lock washers for GX-3R/GX-3R Pro belt clip, M2 x 4, SS, pan head, phillips
10-1087	Screw for GX-3R/GX-3R Pro sensor cap & battery pack, M2 x 10, SS, phillips, 1 each
13-0112RK	Wrist strap
13-0124	Alligator clip with installation screws
13-0125	Belt clip with installation screws
20-0332	Rubber boot for GX-3R
21-1950	LCD protective film for GX-3R/GX-3R Pro
21-1962	Bottom cover (sensor cap), GX-3R
21-1963	Sensor retainer, GX-3R
21-1967	Rear case assembly with Li-ion battery, GX-3R
21-1968	Front case with overlay, GX-3R
29-0715	Label, case sensor, CO, LEL, O2, GX-3R
33-0183	Sensor dust filter with internal gasket for GX-3R

Part	Description
33-0183-10	Sensor dust filters with internal gasket for GX-3R, 10-pack
33-0553	Buzzer protection cover for GX-3R
33-7130	Scrubber disk filter for H2S/CO sensor 5-pack
33-7131	Scrubber disk filter for LEL sensor, 5-pack
33-7132	Scrubber disk filter, charcoal, for CO & H2 comp CO sensor, GX-3R/GX-3R Pro, 5-pack
33-7133	Humidity filter disk for H2S sensor, GX-3R/GX-3R Pro, 5-pack
51-1142	LCD module with cable, for GX-3R
57-2098	Li-Ion battery with battery board
ESR-A1DP-COHS	Sensor, H2S/CO combo for GX-3R/GX-3R Pro
NCR-6309	Sensor, LEL for GX-3R/GX-3R Pro
ESR-X13P-OXY	Sensor, O2 for GX-3R/GX-3R Pro
ESR-A13I-H2S	Sensor, H2S for GX-3R/GX-3R Pro
ESR-A13P-CO	Sensor, CO, GX-3R/3R Pro
ESR-A1CP-CO-H	Sensor, CO with H2 compensation for GX-3R/GX-3R Pro

## RP-3R Sample Drawing Pump For GX-3R

All pumps attach to the GX-3R and include a 4" tapered red nozzle for sampling. Some versions also include a 10' hose (100' max), and a probe for remote sampling. All RP-3R pumps include built-in dust and hydrophobic filters, and one "AA" alkaline battery.



**RP-3R**

<u>Part#</u>	<u>Description</u>	<u>Suggested Retail</u>
81-1197	RP-3R pump with tapered red nozzle for GX-3R .....	360.00
81-1198	RP-3R pump with 10 ft hose, 10 inch probe, and tapered red nozzle for GX-3R .....	420.00
81-1198-20	RP-3R pump with 20 ft hose, 10 inch probe, and tapered red nozzle for GX-3R .....	425.00
81-1198-30	RP-3R pump with 30ft hose, 10 inch probe, and tapered red nozzle for GX-3R .....	430.00

## RP-3R Replacement Parts & Accessories

<u>Part#</u>	<u>Description</u>	<u>Suggested Retail</u>
07-2005RK	Gasket, filter/screen retaining, RP-3R/RP-2009/RP-6/GX-2003/GX-2012/Gas Tracer .....	15.00
07-6000RK	O-ring for inlet fitting of RP-3R/RP-2009/RP-6/GX-2003/GX-2012/Gas Tracer .....	1.00
17-1000RK	Inlet fitting (also needs o-ring 07-6000RK) for RP-3R/RP-6 .....	8.80
17-1001RK	Tapered rubber inlet nozzle, 4", RP-3R/RP-2009/RP-6/GX-2003/GX-2012/Gas Tracer .....	8.00
21-1833RK	Filter holder, clear plastic, RP-3R/RP-2009/GX-2003/GX-2012/Gas Tracer/GX-6000 .....	12.80
30-0022RK	Pump replacement for GX-2012/Gas Tracer/RP-3R/RP-2009/GX-6000/FP-31/NC-1000, with cable and connector .....	140.00
33-0159RK	Teflon filter disk, 10 pieces, RP-3R/RP-2009/RP-6/GX-2003/GX-2012/Gas Tracer/GX-6000/NC-1000 .....	24.00
33-1031RK	Cotton balls, filters for probe, bag of 25 .....	4.00
33-1112RK	Wire mesh disk filter, RP-3R/RP-2009/RP-6/GX-2003/GX-2012/Gas Tracer/GX-6000, 10 pack .....	15.00
49-1120RK	Size AA alkaline battery .....	1.20
80-0009RK-10	Hose, 10', polyurethane, GX-2012/Gas Tracer/GX-20003/RP-3R/RP-3R/RP-2009 .....	36.00
80-0009RK-15	Hose, 15', polyurethane, GX-2012/Gas Tracer/GX-20003/RP-3R/RP-2009 .....	38.00
80-0009RK-20	Hose, 20', polyurethane, GX-2012/Gas Tracer/GX-20003/RP-3R/RP-2009 .....	40.00
80-0009RK-25	Hose, 25', polyurethane, GX-2012/Gas Tracer/GX-20003/RP-3R/RP-2009 .....	42.00
80-0009RK-30	Hose, 30', polyurethane, GX-2012/Gas Tracer/GX-20003/RP-3R/RP-2009 .....	46.00
80-0150RK	Probe assembly, 10", with cotton ball filter .....	25.00
80-0404RK	Dilution fitting, 50:50 for GX-2003/-2012/Gas Tracer/RP-2009/RP-6/RP-3R .....	95.00

## SDM-3R Calibration Station

<u>Part#</u>	<u>Description</u>	<u>Suggested Retail</u>
49-0133	AC adapter, 100 - 240 VAC, 5.99 VDC 2A, for GX-3R/GX-3R Pro/SDM-3R ...	90.00
81-1500RK	Cylinder holder for 58 liter aluminum cylinders .....	18.00
81-1501RK	Cylinder holder for 103 liter steel cylinders and 116 liter aluminum cylinders .....	18.00
81-1502RK	Cylinder holder for 17/34 liter steel cylinders, and for 34 liter aluminum cylinders .....	18.00
81-SDM3R101	SDM-3R calibration station with 1 solenoid, AC adapter, flash drive, USB cable, and tubing .....	1,300.00
81-SDM3R102	SDM-3R calibration station with 1 solenoid, demand flow regulator, AC adapter, flash drive, USB cable, and tubing .....	1,580.00
81-SDM3R103	SDM-3R calibration station with 1 solenoid, demand flow regulator, 58AL cyl H2S/CO/CH4/O2, cylinder holder, AC adapter, flash drive, USB cable, and tubing .....	1,785.00
81-SDM3R104	SDM-3R calibration station with 1 solenoid, demand flow regulator, 34AL cyl H2S/CO/CH4/O2, cylinder holder, AC adapter, flash drive, USB cable, and tubing .....	1,755.00
81-SDM3R109	SDM-3R calibration station with 1 solenoid, demand flow regulator, 116AL cyl H2S/CO/CH4/O2, cylinder holder, AC adapter, flash drive, USB cable, and tubing .....	1,915.00



**SDM-3R**

# Premier Portable Instruments

## GX-3R Pro Five Gas Personal Monitor

<b>Base Instrument</b>	<b>4 Gas Sensors</b>	<b>Toxic Sensor</b>	<b>Battery</b>	
<b>72 - P</b>	<b>A</b>	<b>C</b>	<b>C</b>	
	<b>Step 1</b>	<b>Step 2</b>	<b>Step 3</b>	
	<b>4 Gas Sensors</b>	<b>Toxic Sensor</b>	<b>Battery</b>	
	\$795	\$240	\$125	\$1,160
				Total List Price



Above Example:  
72-PAC-C

GX-3R Pro for LEL / O2 / combo H2S & CO / SO2  
with Li-Ion battery pack including 100-240 VAC charger ..... \$1,160.00

### Step 1

#### Sensor Slots 1-3 (Standard 4 gas sensors)

X	No 4 gas sensors	695.00
A	LEL / O2 / combo H2S / CO (Alkaline version)	795.00
B	LEL / O2 / H2S / CO (individual CO and H2S sensors) *	845.00
C	LEL / O2 / H2S / CO (H2 compensated CO sensor) *	1,035.00
D	LEL / O2 / H2S	795.00
E	LEL / O2 / CO	795.00
F	LEL / O2 / CO (H2 compensated CO sensor)	985.00
G	LEL / combo H2S / CO	770.00
H	O2 / combo H2S / CO	770.00
I	LEL / O2	745.00
J	LEL / H2S	770.00
K	LEL / CO	770.00
L	LEL / CO (H2 compensated CO sensor)	960.00
M	O2 / CO (H2 compensated CO sensor)	960.00
N	combo H2S / CO	745.00
O	LEL	720.00
P	O2	720.00
Q	H2S	745.00
R	CO	745.00
S	CO (H2 compensated CO sensor)	935.00
T	O2 / H2S	745.00
U	O2 / CO	745.00
V	LEL / O2 / HCN	965.00
W	O2 / SO2	915.00

### Step 2

#### Sensor Slot 4 (Toxic Sensors)

(Note: if B or C is selected in Step 1, Step 2 is X)

X	No additional toxic sensor	0.00
A	CO2, 10,000 ppm, IR	400.00
B	CO2, 10% volume, IR	400.00
C	SO2, 100 ppm	240.00
D	NO2, 20 ppm	240.00
E	HCN, 30 ppm	240.00
F	PH3, 20 ppm	240.00
G	NH3, 400 ppm (2022 Q1)	240.00
H	Cl2, 20 ppm **	240.00
I	H2S single sensor, slot 4	50.00

### Step 3

#### Battery options

A	Alkaline battery pack only	0.00
B	Alkaline and Li-Ion battery pack with 100-240 VAC Charger**	250.00
C	Li-Ion battery pack with 100-240 VAC Charger	125.00
D	Li-Ion battery pack with 12 VDC charger and vehicle plug	100.00
E	Li-Ion battery pack only (No charger)	75.00
F	Li-Ion battery pack with 100-240 VAC and 12 VDC chargers	150.00

\* This configuration utilizes all 4 sensor slots. A toxic sensor in step 2 cannot be selected.

\*\* Chlorine versions must be used with RP-3R pump assembly, during field use and calibration

\*\*\* Phillips screwdriver is required to change alkaline and Li-ion battery packs.

**Note:** For configurations with either CO or H2S (not both), individual sensors are used versus a combo CO/H2S sensor.

**Impractical Combinations:** H2S / PH3

# Premier Portable Instruments

## Instrument Price Includes

13-0112RK	Wrist strap
20-0335	Rubber boot for GX-3R Pro
71-0478	Manual for GX-3R Pro
81-1193	Calibration adapter for GX-3R Pro

## GX-3R Pro Common Configurations

Part#	Description	Suggested Retail
72-PAA-C	GX-3R Pro, 5 gas, LEL / O2 / combo H2S & CO / ppm CO2 with 100-240 VAC charger.....	1,320.00
72-PAB-C	GX-3R Pro, 5 gas, LEL / O2 / combo H2S & CO / % CO2 with 100-240 VAC charger .....	1,320.00
72-PAC-C	GX-3R Pro, 5 gas, LEL / O2 / combo H2S & CO / SO2 100 ppm with Li-Ion battery pack including 100-240 VAC charger .....	1,160.00
72-PAX-C	GX-3R Pro, 4 gas, LEL / O2 / combo H2S & CO with Li-Ion battery & 100-240 VAC charger .....	975.00
72-PCX-C	GX-3R Pro, 4 gas, LEL / O2 / H2S / CO (H2 compensated) with 100-240 VAC charger .....	1,140.00

## GX-3R Pro Instrument Bundles (Instrument & Charger Included)

### 100-240 VAC Versions

Part#	Description	Suggested Retail
72-PAC-C-50	GX-3R Pro, 5 gas, LEL / O2 / combo H2S & CO / SO2 100 ppm with Li-Ion battery pack 100-240 VAC charger, screwdriver and carrying case .....	1,245.00
72-PAC-C-56	GX-3R Pro, 5 gas, LEL / O2 / combo H2S & CO / SO2 100 ppm bundled with 34AL cylinder SO2/H2S/CO/O2/LEL, 0.25 LPM regulator, Li-Ion battery pack & 100-240 VAC charger, tubing, screwdriver, and carrying case .....	1,675.00
72-PAC-C-58	GX-3R Pro, 5 gas, LEL / O2 / combo H2S & CO / SO2 100 ppm bundled with RP-3R, 10' hose & probe, Li-Ion battery pack & 100-240 VAC charger and carrying case .....	1,700.00
72-PAX-C-50	GX-3R Pro, 4 gas, LEL / O2 / combo H2S & CO with Li-Ion battery & 100-240 VAC charger, screwdriver and carrying case .....	1,060.00
72-PAX-C-56	GX-3R Pro, 4 gas, LEL / O2 / combo H2S & CO bundled with 34AL cylinder CH4/O2/H2S/CO, 0.25 LPM regulator, Li-Ion battery & 100-240 VAC charger, tubing, screwdriver, and carrying case .....	1,450.00
72-PAX-C-58	GX-3R Pro, 4 gas, LEL / O2 / combo H2S & CO bundled with with RP-3R, 10' hose & probe, Li-Ion battery & 100-240 VAC charger and carrying case .....	1,515.00



## GX-3R Pro Replacement Sensors

Part#	Description	Suggested Retail
NCR-6309	Sensor, LEL 0-100% for GX-3R/GX-3R Pro .....	150.00
ESR-X13P-OXY	Sensor, Oxygen (O2) 0-25% vol for GX-3R/GX-3R Pro .....	150.00
ESR-A1DP-COHS	Sensor, CO/H2S combination, CO 0-2000 ppm, H2S 0-200 ppm for GX-3R / GX-3R Pro / GasWatch 3 / 04 Series .....	240.00
ESR-A1CP-CO-H	Sensor, Carbon Monoxide (CO) 0-2000 ppm with H2 compensation for GX-3R/GX-3R Pro/GasWatch 3/ 04 Series .....	240.00
ESR-A13P-CO	Sensor, Carbon Monoxide (CO) 0-2000 ppm for GX-3R/GX-3R Pro/GasWatch 3 .....	150.00
ESR-A13i-H2S	Sensor, Hydrogen Sulfide (H2S) 0-200 ppm for GX-3R/GX-3R Pro/GasWatch 3 .....	150.00
IRR-0433	Sensor, Carbon Dioxide (CO2), 0-10,000 ppm for GX-3R Pro .....	400.00
IRR-0409	Sensor, Carbon Dioxide (CO2), 0-10% volume for GX-3R Pro .....	400.00
ESR-B134-NH3	Sensor, Ammonia (NH3) 0-400 ppm for GX-3R Pro / SC-04 .....	240.00
ESR-B136-CL2	Sensor, Chlorine (Cl2) 0-10 ppm for GX-3R Pro / SC-04.....	240.00
ESR-A13D-HCN	Sensor, Hydrogen Cyanide (HCN) 0-30 ppm for GX-3R Pro / SC-04 .....	240.00
ESR-A13D-NO2	Sensor, Nitrogen Dioxide (NO2) 0-20 ppm for GX-3R Pro / SC-04 .....	240.00
ESR-A13D-PH3	Sensor, Phosphine (PH3) 0-20.00 ppm for GX-3R Pro / SC-04 .....	240.00
ESR-A13D-SO2	Sensor, Sulfur Dioxide (SO2) 0-100 ppm for GX-3R Pro/SC-04 .....	240.00



# Premier Portable Instruments

## GX-3R Pro Calibration Kits

Instrument #	Cal-Kit Part #	Cal-Kit Description	Price
72-PAA-C	81-PAA	Cal kit, GX-3R Pro, 58AL cyl H2S 25 ppm / CO 50 ppm / CH4 50% LEL / O2 12% in N2, 103L steel cyl 5,000 ppm CO2 in N2, regulator 0.25 LPM, case & tubing	580.00
	81-PAA-LV	Cal kit, GX-3R Pro, 34AL cyl H2S 25 ppm / CO 50 ppm / CH4 50% LEL / O2 12% in N2, 34L cyl 5,000 ppm CO2 in N2, two regulators 0.25 LPM, case & tubing	495.00
72-PAB-C	81-PAB	Cal kit, GX-3R Pro, 58AL cyl H2S 25 ppm / CO 50 ppm / CH4 50% LEL / O2 12% in N2, 103L steel cyl 2.5% vol CO2 in N2, regulator 0.25 LPM, case & tubing	580.00
	81-PAB-LV	Cal kit, GX-3R Pro, 34AL cyl H2S 25 ppm / CO 50 ppm / CH4 50% LEL / O2 12% in N2, 34L cyl 2.5% vol CO2 in N2, two regulators 0.25 LPM, case & tubing	490.00
72-PAC-C	81-PAC	Cal kit, GX-3R Pro, 58AL cyl SO2 5 ppm / H2S 25 ppm / CO 50 ppm / CH4 50% LEL / O2 12% in N2, regulator 0.25 LPM, case & tubing	470.00
72-PAE-C	81-PAE-LV	Cal kit, GX-3R Pro, 34AL cyl H2S 25 ppm / CO 50 ppm / CH4 50% LEL / O2 12% in N2, 34AL cyl 10 ppm HCN in N2, regulator 0.25 LPM, case & tubing	585.00
72-PAX-C 72-PBX-C 72-PDX-C 72-PGX-C 72-PHX-C 72-PJX-C	81-GX3RHSCO	Cal kit, GX-3R or GX-3R Pro, 58AL cyl H2S 25 ppm / CO 50 ppm / CH4 50% LEL / O2 12% in N2, regulator 0.25 LPM, case & tubing	380.00
	81-GX3RHSCO-116	Cal kit, GX-3R or GX-3R Pro, 116AL cyl H2S 25 ppm / CO 50 ppm / CH4 50% LEL / O2 12% in N2, regulator 0.25 LPM, case & tubing	510.00
	81-GX3RHSCO-LV	Cal kit, GX-3R or GX-3R Pro, 34AL cyl H2S 25 ppm / CO 50 ppm / CH4 50% LEL / O2 12% in N2, regulator 0.25 LPM, case & tubing	385.00
72-PCX-C	81-PCX-LV	Cal kit, GX-3R Pro, 34AL cyl H2S 25 ppm / CO 50 ppm / CH4 50% LEL / O2 12% in N2, 103L cyl H2 2000 ppm in air, regulator 0.25 LPM, case & tubing	485.00
72-PEX-C 72-PFX-C 72-PIX-C 72-PKX-C	81-GX3RCO	Cal kit, GX-3R or GX-3R Pro, 103L steel cyl CO 50 ppm / CH4 50% LEL / O2 12% in N2, regulator 0.25 LPM, case & tubing	340.00
	81-GX3RCO-LV	Cal kit, GX-3R or GX-3R Pro, 34L cyl CO 50 ppm / CH4 50% LEL / O2 12% in N2, regulator 0.25 LPM, case & tubing	280.00
72-PPA-C	81-PPA	Cal kit, GX-3R Pro, 103L steel cyl 5,000 ppm CO2 in N2, regulator 0.25 LPM, case & tubing	340.00
	81-PPA-LV	Cal kit, GX-3R Pro, 34L cyl 5,000 ppm CO2 in N2, regulator 0.25 LPM, case & tubing	280.00

## GX-3R Pro Replacement Parts & Accessories

<b>Part#</b>	<b>Description</b>	<b>Suggested Retail</b>
10-1086	Screw with flat & lock washers for GX-3R/GX-3R Pro belt clip, M2 x 4, SS, pan head, phillips .....	1.00
10-1087	Screw for GX-3R/GX-3R Pro sensor cap & battery pack, M2 x 10, SS, phillips, 1 each .....	1.00
13-0112RK	Wrist strap .....	4.00
13-0124	Alligator clip with installation screws for GX-3R/GX-3R Pro .....	26.00
13-0125	Belt clip with installation screws for GX-3R/GX-3R Pro .....	28.00
20-0116	Case with foam, generic for small portable instruments including 03/04 Series/GX-3R/GX-3R Pro/GX-2009	18.00
20-0335	Rubber boot for GX-3R Pro.....	18.00
21-1950	LCD protection film for GX-3R/GX-3R Pro .....	6.00
21-1950-05	LCD protection film for GX-3R/GX-3R Pro, pack of 5 .....	30.00
29-0699	Sensor case label for GX-3R Pro, Toxic 2 / LEL / O2 / Toxic .....	1.00
29-0700	Sensor case label for GX-3R Pro, CO/H2S / LEL / O2 / Toxic .....	1.00
33-0184	Hydrophobic dust filter with integral gasket for sensors, GX-3R Pro .....	16.00
33-0184-10	Hydrophobic dust filter with integral gasket for sensors, GX-3R Pro, pack of 10.....	145.00
33-0554	Buzzer protection cover for GX-3R Pro .....	6.80
33-6015RK	CO2 scrubber, CF-283 for GX-3R Pro/GX-6000/RX-515/RI-85 .....	56.00
33-7130	Scrubber disk filter for CO/H2S sensor (pack of 5) for GX-3R & GX-3R Pro .....	26.00
33-7131	Scrubber disk filter for combustible sensor, CF-6309 (5pcs/pack) .....	26.00
33-7132	Scrubber disk filter, charcoal, for CO & H2 comp CO sensor, CF-A1CP (pack of 5), (not used on CO/H2S combo sensor) for GX-3R & GX-3R Pro.....	26.00
33-7133	Humidity filter disk for H2S or PH3 sensor, CF-A13i (pack of 5) for GX-3R/GX-3R Pro/04 Series .....	35.00
33-7134	H2S scrubber disk for SO2 and NO2 sensors, GX-3R Pro, pack of 5 .....	35.00

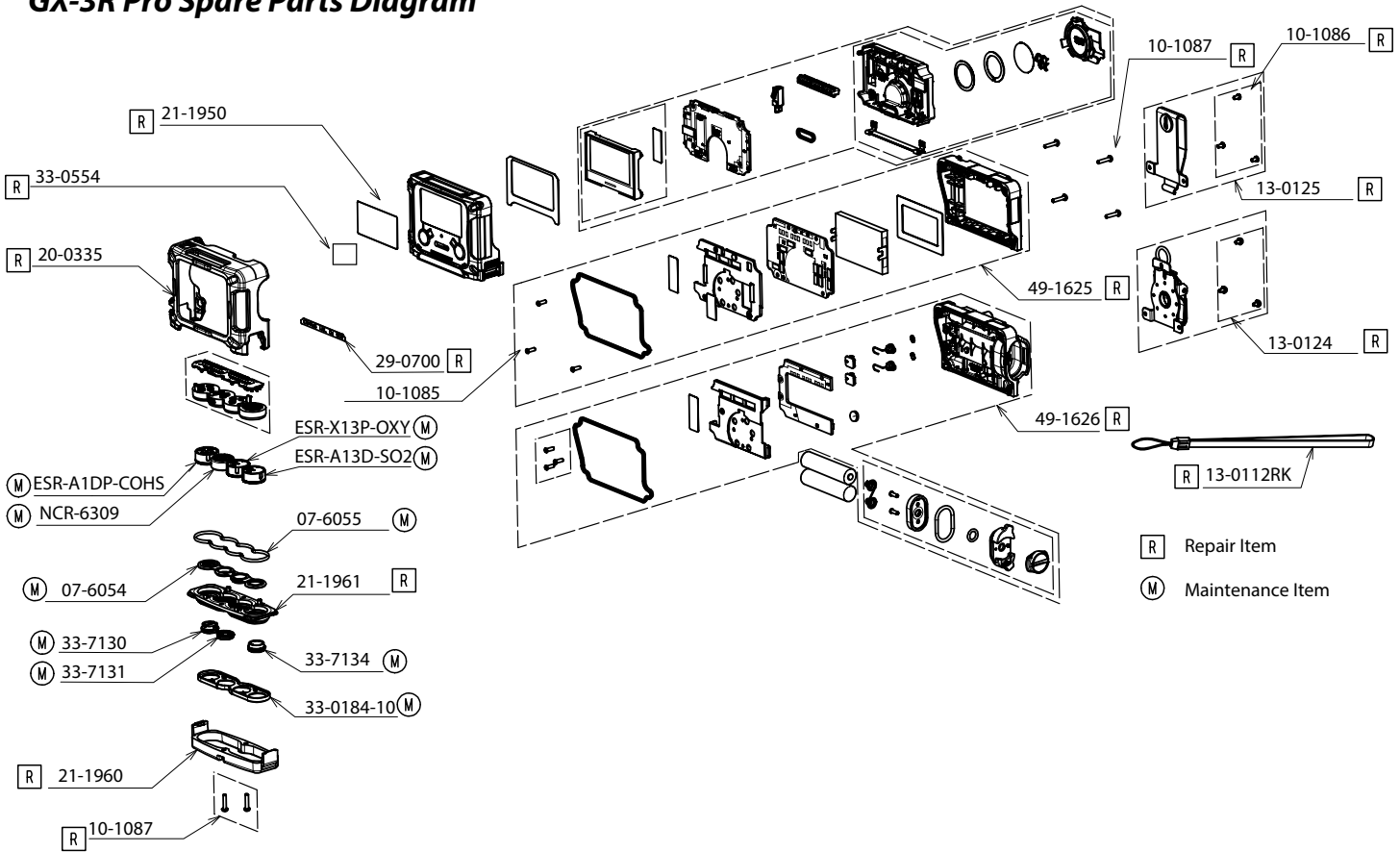
# Premier Portable Instruments

## GX-3R Pro Replacement Parts & Accessories (continued)

<b>Part#</b>	<b>Description</b>	<b>Suggested Retail</b>
33-7134-01	H2S scrubber disk for SO2 and NO2 sensors, GX-3R Pro, one each .....	7.00
33-7137	H2S filter disk for HCN sensor, CF-A13D-2, GX-3R Pro, 1 each .....	18.00
47-1019	Replacement charging cord, 2 ft each, for GX-3R / GX-3R Pro .....	14.00
47-5084RK-01	Downloading cable, USB / IrDA adapter, Windows XP, Windows 7, Windows 8, and Windows 10 compatible .....	220.00
47-5102	5-unit charging connector bar with 5 charging cables (47-1019) for GX-3R & GX-3R Pro, no AC adapter ...	175.00
47-5102-01	5-unit charging connector bar (used in 47-5102), no charging cables .....	50.00
49-0133	AC adapter, 100 - 240 VAC, 5.99 VDC 2A, for GX-3R/GX-3R Pro/SDM-3R .....	90.00
49-0134	Multi-unit AC adapter, 100 - 240 VAC (5.99 VDC out) for charging 5 instruments, GX-3R / GX-3R Pro .....	265.00
49-1110RK	Battery, alkaline, AAA .....	1.20
49-1625	Li-Ion battery pack, BUL-3R, for GX-3R Pro .....	250.00
49-1626	Battery pack, alkaline, BUD-3R, for GX-3R Pro .....	125.00
49-2021	DC adapter with vehicle plug & 4 ft cable, 12-24 VDC for GX-3R and GX-3R Pro .....	50.00
65-7004	Dummy sensor for GX-3R/GX-3R Pro .....	5.00
71-0478	Manual for GX-3R Pro .....	0.00
81-0071RK-01	Cylinder, CO2 5000 ppm in N2, 34L steel .....	55.00
81-0071RK-03	Cylinder, CO2 5000 ppm in N2, 103L steel.....	150.00
81-0072RK-01	Cylinder, CO2 2.5% in N2, 34L steel .....	55.00
81-0072RK-03	Cylinder, CO2 2.5% in N2, 103L steel .....	150.00
81-0090RK-01	Cylinder, CO 50 ppm / CH4 50% LEL / O2 12 % in N2, 34L steel .....	55.00
81-0090RK-03	Cylinder, CO 50 ppm / CH4 50% LEL / O2 12 % in N2, 103L steel .....	150.00
81-0142RK-02	Cylinder, SO2 5 ppm / H2S 25 ppm / CO 50 ppm / CH4 50% LEL / O2 12% in N2, 58AL .....	280.00
81-0142RK-04	Cylinder, SO2 5 ppm / H2S 25 ppm / CO 50 ppm / CH4 50% LEL / O2 12% in N2, 34AL .....	200.00
81-0154RK-02	Cylinder, H2S 25 ppm / CO 50 ppm / CH4 50% LEL / O2 12% in N2, 58AL .....	190.00
81-0154RK-04	Cylinder, H2S 25 ppm / CO 50 ppm / CH4 50% LEL / O2 12% in N2, 34AL .....	160.00
81-0154RK-06	Bump test cylinder, H2S 40 ppm / CO 100 ppm / Methane 50% LEL / O2 12% in N2, 11AL aerosol .....	55.00
81-0154RK-116	Cylinder, H2S 25 ppm / CO 50 ppm / CH4 50% LEL / O2 12% in N2, 116AL.....	320.00
81-0176RK-02	Cylinder, NH3 25 ppm in N2, 58AL.....	300.00
81-0176RK-04	Cylinder, NH3 25 ppm in N2, 34AL.....	280.00
81-0180RK-02	Cylinder, NO2 10 ppm in air, 58AL .....	300.00
81-0180RK-04	Cylinder, NO2 10 ppm in air, 34AL .....	260.00
81-0185RK-02	Cylinder, PH3 0.5 ppm in N2, 58AL .....	300.00
81-0185RK-04	Cylinder, PH3 0.5 ppm in N2, 34AL .....	260.00
81-0190RK-02	Cylinder, Cl2 5 ppm in N2, 58AL.....	340.00
81-0190RK-04	Cylinder, Cl2 5 ppm in N2, 34AL.....	220.00
81-0196RK-02	Cylinder, HCN 10 ppm in N2, 58AL .....	260.00
81-0196RK-04	Cylinder, HCN 10 ppm in N2, 34AL .....	220.00
81-1050RK-25	Regulator, with gauge & knob, 17/34L, 0.25 LPM .....	125.00
81-1051RK-25	Regulator, with gauge and knob, 34AL/58AL/103L steel, 0.25 LPM, C-10 fitting .....	125.00
81-1162	Hand aspirated sample adapter for GX-3R Pro with 10' hose .....	85.00
81-1193	Calibration adapter for GX-3R Pro .....	10.00

# Premier Portable Instruments

## GX-3R Pro Spare Parts Diagram



Part	Description
ESR-A1DP-COHS	Sensor, H2S/CO combo for GX-3R/GX-3R Pro
NCR-6309	Sensor, LEL for GX-3R/GX-3R Pro
ESR-X13P-OXY	Sensor, O2 for GX-3R/GX-3R Pro
ESR-A13D-SO2	Sensor, SO2 for GX-3R Pro
ESR-A13I-H2S	Sensor, H2S for GX-3R/GX-3R Pro
ESR-A13P-CO	Sensor, CO, GX-3R/3R Pro
ESR-A1CP-CO-H	Sensor, CO with H2 compensated for GX-3R/GX-3R Pro
IRR-0409	Sensor, CO2, 0-10% volume for GX-3R Pro
IRR-0433	Sensor, CO2, 0-10,000 ppm for GX-3R Pro
07-6054	Sensor gasket, GX-3R Pro
07-6055	Sensor case o-ring, GX-3R Pro
10-1086	Screw with flat & lock washers for GX-3R/GX-3R Pro belt clip, M2 x 4, SS, pan head, phillips
10-1087	Screw for GX-3R/GX-3R Pro sensor cap & battery pack, M2 x 10, SS, phillips, 1 each
13-0112RK	Wrist strap
13-0124	Alligator Clip with installation screws
13-0125	Belt Clip with installation screws

Part	Description
20-0335	Rubber boot for GX-3R Pro
21-1950	LCD protective film for GX-3R/GX-3R Pro
21-1960	Bottom cover (sensor cap), GX-3R Pro
21-1961	Sensor retainer, GX-3R Pro
29-0700	Sensor case label for GX-3R Pro, CO/H2S / LEL / O2 /Toxic
33-0184-10	Sensor dust filters with internal gasket for GX-3R Pro, 10-pack
33-0554	Buzzer protection cover for GX-3R Pro
33-7130	Scrubber disk filter for H2S/CO sensor 5-pack
33-7131	Scrubber disk filter for LEL sensor, 5-pack
33-7132	Scrubber disk filter, charcoal, for CO & H2 comp CO sensor, GX-3R/GX-3R Pro, 5-pack
33-7133	Humidity filter disk for H2S sensor, GX-3R/GX-3R Pro, 5-pack
33-7134	H2S scrubber disk for SO2 sensor, GX-3R Pro, 5-pack
49-1625	Li-Ion battery pack for GX-3R Pro
49-1626	Alkaline battery pack for GX-3R Pro

# Premier Portable Instruments

## SDM-3R Calibration Station

Part#	Description	Suggested Retail
81-SDM3R101	SDM-3R calibration station with 1 solenoid, AC adapter, flash drive, USB cable, and tubing .....	1,300.00
81-SDM3R102	SDM-3R calibration station with 1 solenoid, demand flow regulator, AC adapter, flash drive, USB cable, and tubing .....	1,580.00
81-SDM3R103	SDM-3R calibration station with 1 solenoid, demand flow regulator, 58AL cyl H2S/CO/CH4/O2, cylinder holder, AC adapter, flash drive, USB cable, and tubing .....	1,785.00
81-SDM3R104	SDM-3R calibration station with 1 solenoid, demand flow regulator, 34AL cyl H2S/CO/CH4/O2, cylinder holder, AC adapter, flash drive, USB cable, and tubing .....	1,755.00
81-SDM3R201	SDM-3R calibration station with 2 solenoids, AC adapter, flash drive, USB cable, and tubing .....	1,450.00
81-SDM3R202	SDM-3R calibration station with 2 solenoids, demand flow regulators (2 each), AC adapter, flash drive, USB cable, and tubing .....	2,035.00
81-SDM3R203	SDM-3R calibration station with 2 solenoid, demand flow regulator, 58AL cyl H2S/CO/CH4/O2, cylinder holder, AC adapter, flash drive, USB cable, and tubing .....	1,935.00
81-SDM3R204	SDM-3R calibration station with 2 solenoid, demand flow regulator, 34AL cyl H2S/CO/CH4/O2, cylinder holder, AC adapter, flash drive, USB cable, and tubing .....	1,905.00
81-SDM3R301	SDM-3R calibration station with 3 solenoids, AC adapter, flash drive, USB cable, and tubing .....	1,600.00
81-SDM3R302	SDM-3R calibration station with 3 solenoids, demand flow regulators (3 each), AC adapter, flash drive, USB cable, and tubing .....	2,440.00
81-SDM3R303	SDM-3R calibration station with 3 solenoid, demand flow regulator, 58AL cyl H2S/CO/CH4/O2, cylinder holder, AC adapter, flash drive, USB cable, and tubing .....	2,085.00
81-SDM3R304	SDM-3R calibration station with 3 solenoid, demand flow regulator, 34AL cyl H2S/CO/CH4/O2, cylinder holder, AC adapter, flash drive, USB cable, and tubing .....	2,055.00



**SDM-3R**

**Note:** SDM-3R cannot be used for CL2 calibrations. CL2 versions must be calibrated with RP-3R attached.

## SDM-3R Calibration Gases & Equipment

Part#	Description	Suggested Retail
49-0133	AC adapter, 100 - 240 VAC, 5.99 VDC 2A, for GX-3R/GX-3R Pro/SDM-3R .....	90.00
81-0071RK-01	Cylinder, CO2 5000 ppm in N2, 34L steel .....	55.00
81-0071RK-03	Cylinder, CO2 5000 ppm in N2, 103L steel.....	150.00
81-0072RK-01	Cylinder, CO2 2.5% in N2, 34L steel .....	55.00
81-0072RK-03	Cylinder, CO2 2.5% in N2, 103L steel .....	150.00
81-0090RK-01	Cylinder, CO 50 ppm / CH4 50% LEL / O2 12 % in N2, 34L steel .....	55.00
81-0090RK-03	Cylinder, CO 50 ppm / CH4 50% LEL / O2 12 % in N2, 103L steel .....	150.00
81-0142RK-02	Cylinder, SO2 5 ppm / H2S 25 ppm / CO 50 ppm / CH4 50% LEL / O2 12% in N2, 58AL .....	280.00
81-0142RK-04	Cylinder, SO2 5 ppm / H2S 25 ppm / CO 50 ppm / CH4 50% LEL / O2 12% in N2, 34AL .....	200.00
81-0154RK-02	Cylinder, H2S 25 ppm / CO 50 ppm / CH4 50% LEL / O2 12% in N2, 58AL .....	190.00
81-0154RK-04	Cylinder, H2S 25 ppm / CO 50 ppm / CH4 50% LEL / O2 12% in N2, 34AL .....	160.00
81-0154RK-116	Cylinder, H2S 25 ppm / CO 50 ppm / CH4 50% LEL / O2 12% in N2, 116AL.....	320.00
81-0176RK-02	Cylinder, NH3 25 ppm in N2, 58AL.....	300.00
81-0176RK-04	Cylinder, NH3 25 ppm in N2, 34AL.....	280.00
81-0180RK-02	Cylinder, NO2 10 ppm in air, 58AL .....	300.00
81-0180RK-04	Cylinder, NO2 10 ppm in air, 34AL .....	260.00
81-0186RK-02	Cylinder, PH3 5 ppm in N2, 58AL .....	280.00
81-0190RK-02	Cylinder, Cl2 5 ppm in N2, 58AL.....	340.00
81-0190RK-04	Cylinder, Cl2 5 ppm in N2, 34AL.....	220.00
81-0196RK-02	Cylinder, HCN 10 ppm in N2, 58AL .....	260.00
81-0196RK-04	Cylinder, HCN 10 ppm in N2, 34AL .....	220.00
81-1054RK	Regulator, demand flow for 34AL/58AL/103L/116L cylinders .....	280.00
81-1054RK-H2S	Regulator, demand flow for standard 4-gas in 34AL/58AL/103L/116L cylinders .....	240.00
81-1500RK	Cylinder holder for 58 liter aluminum cylinders .....	18.00
81-1501RK	Cylinder holder for 103 liter steel cylinders and 116 liter aluminum cylinders .....	18.00
81-1502RK	Cylinder holder for 17/34 liter steel cylinders, and for 34 liter aluminum cylinders .....	18.00



# Premier Portable Instruments

## RP-3R Sample Drawing Pump For GX-3R Pro

All pumps attach to the GX-3R Pro and include a 4" tapered red nozzle for sampling. Some versions also include a 10' hose (100' max), and a probe for remote sampling. All RP-3R pumps include built-in dust and hydrophobic filters, and one "AA" alkaline battery.



**RP-3R**

<b>Part#</b>	<b>Description</b>	<b>Suggested Retail</b>
81-1199	RP-3R Pro pump with tapered red nozzle for GX-3R Pro .....	360.00
81-1200	RP-3R Pro pump with 10 ft hose, 10 inch probe, and tapered red nozzle for GX-3R Pro .....	420.00
81-1200-20	RP-3R Pro pump with 20 ft hose, 10 inch probe, and tapered red nozzle for GX-3R Pro .....	425.00

## RP-3R Pro Replacement Parts & Accessories

<b>Part#</b>	<b>Description</b>	<b>Suggested Retail</b>
07-2005RK	Gasket, filter/screen retaining, RP-3R/RP-2009/RP-6/GX-2003/GX-2012/Gas Tracer .....	15.00
07-6000RK	O-ring for inlet fitting of RP-3R/RP-2009/RP-6/GX-2003/GX-2012/Gas Tracer .....	1.00
17-1000RK	Inlet fitting (also needs o-ring 07-6000RK) for RP-3R/RP-6 .....	8.80
17-1001RK	Tapered rubber inlet nozzle, 4", RP-3R/RP-2009/RP-6/GX-2003/GX-2012/Gas Tracer .....	8.00
21-1833RK	Filter holder, clear plastic, RP-3R/RP-2009/GX-2003/GX-2012/Gas Tracer/GX-6000 .....	12.80
30-0022RK	Pump replacement for GX-2012/Gas Tracer/RP-3R/RP-2009/GX-6000/FP-31/NC-1000, with cable and connector .....	140.00
33-0159RK	Teflon filter disk, 10 pieces, RP-3R/RP-2009/RP-6/GX-2003/GX-2012/Gas Tracer/GX-6000/NC-1000 .....	24.00
33-1031RK	Cotton balls, filters for probe, bag of 25 .....	4.00
33-1112RK	Wire mesh disk filter, RP-3R/RP-2009/RP-6/GX-2003/GX-2012/Gas Tracer/GX-6000, 10 pack .....	15.00
49-1120RK	Size AA alkaline battery .....	1.20
80-0009RK-10	Hose, 10', polyurethane, GX-2012/Gas Tracer/GX-20003/RP-3R/RP-3R/RP-2009 .....	36.00
80-0009RK-15	Hose, 15', polyurethane, GX-2012/Gas Tracer/GX-20003/RP-3R/RP-2009 .....	38.00
80-0009RK-20	Hose, 20', polyurethane, GX-2012/Gas Tracer/GX-20003/RP-3R/RP-2009 .....	40.00
80-0009RK-25	Hose, 25', polyurethane, GX-2012/Gas Tracer/GX-20003/RP-3R/RP-2009 .....	42.00
80-0009RK-30	Hose, 30', polyurethane, GX-2012/Gas Tracer/GX-20003/RP-3R/RP-2009 .....	46.00
80-0150RK	Probe assembly, 10", with cotton ball filter .....	25.00
80-0404RK	Dilution fitting, 50:50 for GX-2003/-2012/Gas Tracer/RP-2009/RP-6/RP-3R .....	95.00

# Premier Portable Instruments

## GX-2009 With 115 VAC Standard Charger

<u>Part#</u>	<u>Description</u>	<u>Suggested Retail</u>
72-0300RKC	GX-2009, 1 gas, LEL with alligator clip and 115 / 220 VAC charger .....	520.00
72-0302RKC	GX-2009, 1 gas, H2S with alligator clip and 115 / 220 VAC charger .....	520.00
72-0304RKC	GX-2009, 2 gas, LEL / O2 with alligator clip and 115 / 220 VAC charger ...	545.00
72-0305RKC	GX-2009, 2 gas, O2 / H2S with alligator clip and 115 / 220 VAC charger ...	545.00
72-0306RKC	GX-2009, 2 gas, O2 / CO with alligator clip and 115 / 220 VAC charger ...	545.00
72-0307RKC	GX-2009, 2 gas, LEL / H2S with alligator clip and 115 / 220 VAC charger ...	545.00
72-0308RKC	GX-2009, 2 gas, LEL / CO with alligator clip and 115 / 220 VAC charger ...	545.00
72-0309RKC	GX-2009, 2 gas, H2S / CO with alligator clip and 115 / 220 VAC charger .....	545.00
72-0310RKC	GX-2009, 3 gas, LEL / O2 / H2S with alligator clip and 115 / 220 VAC charger .....	570.00
72-0311RKC	GX-2009, 3 gas, LEL / O2 / CO with alligator clip and 115 / 220 VAC charger .....	570.00
72-0312RKC	GX-2009, 3 gas, LEL / H2S / CO with alligator clip and 115 / 220 VAC charger .....	570.00
72-0313RKC	GX-2009, 3 gas, O2 / H2S / CO with alligator clip and 115 / 220 VAC charger .....	570.00
72-0314RKC	GX-2009, 4 gas, LEL / O2 / H2S / CO with alligator clip and 115 / 220 VAC charger .....	595.00
72-0314RKC-05	GX-2009, 4 gas, LEL / O2 / H2S / CO with alligator clip, 115 / 220 VAC charger, and calibration cap .....	610.00
72-0314RKC-HC	GX-2009, 4 gas, LEL (isobutane) / O2 / H2S / CO with alligator clip and 115 / 220 VAC charger .....	595.00



### Instrument Price Includes

13-0112RK	Wrist strap
49-0115RK	115 / 220 VAC Adapter for charger, GX-6000/GX-2009/GX-2012/Gas Tracer/EAGLE 2/GX-8000/SC-8000
49-1609RK	Ni-MH battery set with hardware for GX-2009, set of 2 batteries
49-2170RK	Charging station base only, BC-2009

## GX-2009 With 12 VDC Charger & Vehicle Plug

<u>Part#</u>	<u>Description</u>	<u>Suggested Retail</u>
72-0300RKA	GX-2009, 1 gas, LEL with alligator clip, 12 VDC charger and vehicle plug .....	535.00
72-0304RKA	GX-2009, 2 gas, LEL / O2 with alligator clip, 12 VDC charger and vehicle plug .....	560.00
72-0305RKA	GX-2009, 2 gas, O2 / H2S with alligator clip, 12 VDC charger and vehicle plug .....	560.00
72-0306RKA	GX-2009, 2 gas, O2 / CO with alligator clip, 12 VDC charger and vehicle plug .....	560.00
72-0307RKA	GX-2009, 2 gas, LEL / H2S with alligator clip, 12 VDC charger, and vehicle plug .....	560.00
72-0308RKA	GX-2009, 2 gas, LEL / CO with alligator clip, 12 VDC charger, and vehicle plug .....	560.00
72-0309RKA	GX-2009, 2 gas, H2S / CO with alligator clip, 12 VDC charger, and vehicle plug .....	560.00
72-0310RKA	GX-2009, 3 gas, LEL / O2 / H2S with alligator clip, 12 VDC charger, and vehicle plug .....	585.00
72-0311RKA	GX-2009, 3 gas, LEL / O2 / CO with alligator clip, 12 VDC charger, and vehicle plug .....	585.00
72-0312RKA	GX-2009, 3 gas, LEL / H2S / CO with alligator clip, 12 VDC charger, and vehicle plug .....	585.00
72-0313RKA	GX-2009, 3 gas, O2 / H2S / CO with alligator clip, 12 VDC charger, and vehicle plug .....	585.00
72-0314RKA	GX-2009, 4 gas, LEL / O2 / H2S / CO with alligator clip, 12 VDC charger, and vehicle plug .....	620.00
72-0314RKA-05	GX-2009, 4 gas, LEL / O2 / H2S / CO with alligator clip, 12 VDC charger, vehicle plug, and calibration cap .....	625.00



### Instrument Price Includes

13-0112RK	Wrist strap
49-1609RK	Ni-MH battery set with hardware for GX-2009, set of 2 batteries
49-2020RK	12 VDC Adapter for charger with vehicle plug (charger base not included), GX-2009/GX-2012/Gas Tracer/GX-6000
49-2170RK	Charging station base only, BC-2009

# Premier Portable Instruments

## GX-2009 Four Gas Personal Monitor (Charger Not Included)



<b>Part#</b>	<b>Description</b>	<b>Suggested Retail</b>
72-0300RK	GX-2009, 1 gas, LEL with alligator clip, no charger .....	470.00
72-0304RK	GX-2009, 2 gas, LEL / O2 with alligator clip, no charger .....	495.00
72-0305RK	GX-2009, 2 gas, O2 / H2S with alligator clip, no charger .....	495.00
72-0306RK	GX-2009, 2 gas, O2 / CO with alligator clip, no charger .....	495.00
72-0307RK	GX-2009, 2 gas, LEL / H2S with alligator clip, no charger .....	495.00
72-0308RK	GX-2009, 2 gas, LEL / CO with alligator clip, no charger .....	495.00
72-0309RK	GX-2009, 2 gas, H2S / CO with alligator clip, no charger .....	495.00
72-0310RK	GX-2009, 3 gas, LEL / O2 / H2S with alligator clip, no charger .....	520.00
72-0311RK	GX-2009, 3 gas, LEL / O2 / CO with alligator clip, no charger .....	520.00
72-0312RK	GX-2009, 3 gas, LEL / H2S / CO with alligator clip, no charger .....	520.00
72-0313RK	GX-2009, 3 gas, O2 / H2S / CO with alligator clip, no charger .....	520.00
72-0314RK	GX-2009, 4 gas, LEL / O2 / H2S / CO with alligator clip, no charger .....	545.00

### Instrument Price Includes

13-0112RK	Wrist strap
49-1609RK	Ni-MH battery set with hardware for GX-2009, set of 2 batteries

## Replacement Sensors

<b>Part#</b>	<b>Description</b>	<b>Suggested Retail</b>
ES-1821	Sensor, Carbon Monoxide (CO) 0-500 ppm for GX-2009/GX-2012/GX-6000/CO-03/GasWatch 2/ Gas Tracer .....	140.00
ES-1827i	Sensor, Hydrogen Sulfide (H2S) 0-100 ppm for GX-2009/GX-2012/GX-6000/HS-03/GasWatch 2 .....	140.00
NC-6264A	Sensor, Methane (CH4) 0-100% LEL for GX-2009/GX-2012/GX-6000/GP-03/Gas Tracer .....	120.00
NC-6264AZX	Sensor, Methane (CH4) 0-100% LEL, silicone resistant, for GX-2009/GX-2012/GX-6000/GX-2001/ GX-2003/Gas Tracer/GP-01 .....	130.00
OS-BM2	Sensor, Galvanic, Oxygen (O2) 0-25% Vol. for GX-2009/GX-2012/GasTracer/GX-6000/OX-03/GasWatch 3 .....	120.00

# Premier Portable Instruments

## GX-2009 Calibration Kits

Instrument #	Cal-Kit Part #	Cal-Kit Description	Price
72-0300RK 72-0300RKA 72-0300RKC 72-0304RK 72-0304RKA 72-0304RKC 72-0306RK 72-0306RKA 72-0306RKC 72-0308RK 72-0308RKA 72-0308RKC 72-0311RK 72-0311RKA 72-0311RKC	81-GX01CO	Cal kit, GX-2001/GX-2009, 103L steel cyl Methane/CO/O2, reg with gauge & knob, cal cap, case & tubing	355.00
72-0302RK 72-0302RKA 72-0302RKC	81-GX01HSO2-LV	Cal kit, GX-2001/GX-2009, 34L cyl Methane/CO/O2, reg with gauge & knob, cal cap, case & tubing	300.00
72-0305RK 72-0305RKA 72-0305RKC 72-0307RK 72-0307RKA 72-0307RKC 72-0309RK 72-0309RKA 72-0309RKC 72-0310RK 72-0310RKA 72-0310RKC 72-0312RK 72-0312RKA 72-0312RKC 72-0313RK 72-0313RKA 72-0313RKC 72-0314RK 72-0314RKA 72-0314RKC	81-GX01HSCO	Cal kit, GX-2001/GX-2009, 58AL cyl Methane/H2S/CO/O2, reg with gauge & knob, cal cap, case & tubing	285.00
72-0307RK 72-0307RKA 72-0307RKC 72-0310RK 72-0310RKA 72-0310RKC 72-0312RK 72-0312RKA 72-0312RKC 72-0314RK 72-0314RKA 72-0314RKC	81-GX01HSCO-LV	Cal kit, GX-2001/GX-2009, 34AL cyl Methane/H2S/CO/O2, reg with gauge & knob, cal cap, case & tubing	395.00
72-0307RK 72-0307RKA 72-0307RKC 72-0310RK 72-0310RKA 72-0310RKC 72-0312RK 72-0312RKA 72-0312RKC 72-0314RK 72-0314RKA 72-0314RKC	81-GX01HCOIB-LV	Cal kit, GX-2001/GX-2009, 34AL cyl Isobutane/H2S/CO/O2, reg with gauge & knob, cal cap, case & tubing	405.00

# Premier Portable Instruments

## SDM-2009 Calibration Station

**ORDERING INFORMATION:** When ordering an SDM-2009 calibration station, please specify the following components:

- 1) Select the docking station part number based on your calibration needs (calibration gas cylinder, regulator, or unit only).
- 2) Select any other calibration gas cylinder you may need.



<b>Part#</b>	<b>Description</b>	<b>Suggested Retail</b>
81-SDM2009-01	Single point calibration station for GX-2009, model SDM-2009 with AC Adaptor, flash drive, USB cable, & tubing .....	1,300.00
81-SDM2009-02	Single point calibration station for GX-2009, model SDM-2009 with AC Adaptor, flash drive, USB cable, tubing, & demand flow regulator .....	1,540.00
81-SDM2009-03	Single point calibration station for GX-2009, model SDM-2009 with AC Adaptor, flash drive, USB cable, tubing, demand flow regulator & 58AL cyl H2S (25 ppm)/CO/CH4/O2 .....	1,730.00
81-SDM2009-06	Single point calibration station for GX-2009, model SDM-2009 with AC Adaptor, flash drive, USB cable, tubing, demand flow regulator & 34AL cyl H2S (25 ppm)/CO/CH4/O2 .....	1,700.00

## SDM-2009 Calibration Gases & Equipment

<b>Part#</b>	<b>Description</b>	<b>Suggested Retail</b>
33-0167RK	Filter, particulate, CF-8369 .....	25.00
49-0115RK	115 / 220 VAC Adapter for charger, GX-6000/GX-2009/GX-2012/Gas Tracer/EAGLE 2/GX-8000/SC-8000 ...	20.00
49-2058RK-04	AC adapter 4 port charger for SDM-2009, SDM-2012, and SDM-03 .....	88.00
81-0012RK-01	Cylinder, CH4 50% LEL in air, 34L steel .....	55.00
81-0018RK-01	Cylinder, isobutane 50% LEL in air, 34L steel .....	55.00
81-0090RK-01	Cylinder, CO 50 ppm / CH4 50% LEL / O2 12 % in N2, 34L steel .....	55.00
81-0090RK-03	Cylinder, CO 50 ppm / CH4 50% LEL / O2 12 % in N2, 103L steel .....	150.00
81-0154RK-02	Cylinder, H2S 25 ppm / CO 50 ppm / CH4 50% LEL / O2 12% in N2, 58AL .....	190.00
81-0154RK-04	Cylinder, H2S 25 ppm / CO 50 ppm / CH4 50% LEL / O2 12% in N2, 34AL .....	160.00
81-0154RK-116	Cylinder, H2S 25 ppm / CO 50 ppm / CH4 50% LEL / O2 12% in N2, 116AL .....	320.00
81-0155RK-02	Cylinder, H2S 25 ppm / CO 50 ppm / HEX 15% LEL / O2 12% in N2, 58AL .....	220.00
81-0155RK-04	Cylinder, H2S 25 ppm / CO 50 ppm / HEX 15% LEL / O2 12% in N2, 34AL .....	160.00
81-0158RK-02	Cylinder, H2S 25 ppm / CO 50 ppm / isobutane 50% LEL / O2 12% in N2, 58AL .....	250.00
81-0158RK-04	Cylinder, H2S 25 ppm / CO 50 ppm / isobutane 50% LEL / O2 12% in N2, 34AL .....	160.00
81-1054RK	Regulator, demand flow for 34AL/58AL/103L/116L cylinders .....	280.00
81-1055RK	Regulator, demand flow for 17L/34L steel steel cylinders .....	280.00
82-6002	PC Controller with ethernet networking kit for SDM-2009, SDM-2012, and SDM-03 calibrations stations, 11.5 inch screen 64 bit Windows 7 Professional pc with SDM PC Controller software installed and 6' ethernet cable .....	795.00
82-6050RK	USB Hub, 4 port 2.0 for SDM-03/SDM-2009/SDM-2012 .....	30.00
82-6051RK	USB Hub, 7 port 2.0 for SDM-03/SDM-2009/SDM-2012 .....	90.00
82-6105RK	USB flash drive, 1 GB, for calibration stations .....	25.00

# Premier Portable Instruments

## GX-2009 Instrument Bundles (Instrument & Charger Included)

### 115 VAC Versions

<u>Part#</u>	<u>Description</u>	<u>Suggested Retail</u>
72-0314RKC-50	Confined space kit including a GX-2009 with 115 VAC charger, screwdriver, and small padded case .....	680.00
72-0314RKC-51	Confined space kit including a GX-2009 with 115 VAC charger, screwdriver, padded case, hand aspirator assembly with 10' hose, and probe .....	810.00
72-0314RKC-52	Confined space kit including a GX-2009 with 115 VAC charger, hand aspirator assembly with 10' hose, probe, 34AL cyl H2S (25 ppm)/CO/O2/CH4, reg with gauge & knob, screwdriver, padded case, calibration cap, and cal tubing .....	1,180.00
72-0314RKC-56	Confined space kit including a GX-2009 with 115 VAC charger, calibration cap, 34AL cyl H2S (25 ppm)/CO/O2/CH4, reg with gauge & knob, screwdriver, padded case, and cal tubing .....	1,085.00
72-0314RKC-58	Confined space kit including a GX-2009 with 115 VAC charger, RP-2009, screwdriver, and padded case .....	1,135.00
72-0314RKC-59	Confined space kit including a GX-2009 with 115 VAC charger, RP-2009, calibration cap, 34AL cyl H2S (25 ppm)/CO/O2/CH4, reg with gauge & knob, screwdriver, padded case, and cal tubing .....	1,505.00



### 12 VDC Versions

<u>Part#</u>	<u>Description</u>	<u>Suggested Retail</u>
72-0314RKA-50	Confined space kit including a GX-2009 with 12 VDC charger, and small padded case .....	705.00
72-0314RKA-51	Confined space kit including a GX-2009 with 12 VDC charger, padded case, hand aspirator assembly with 10' hose, and probe .....	835.00
72-0314RKA-52	Confined space kit including a GX-2009 with 12 VDC charger, hand aspirator assembly with 10' hose, probe, 34AL cyl H2S/CO/O2/CH4, reg with gauge & knob, padded case, calibration cap, and cal tubing .....	1,205.00
72-0314RKA-56	Confined space kit including a GX-2009 with 12 VDC charger and vehicle plug, calibration cap, 34AL cyl H2S (25 ppm)/CO/O2/CH4, reg with gauge & knob, screwdriver, padded case, and cal tubing .....	1,110.00
72-0314RKA-58	Confined space kit including a GX-2009 with 12 VDC charger and vehicle plug, RP-2009, screwdriver, and padded case .....	1,160.00
72-0314RKA-59	Confined space kit including a GX-2009 with 12 VDC charger and vehicle plug, RP-2009, calibration cap, 34AL cyl H2S (25 ppm)/CO/O2/CH4, reg with gauge & knob, screw driver, padded case, and cal tubing .....	1,530.00

## GX-2009 Accessory Bundles (Instrument & Charger Not Included)

GX-2009 Accessory Bundles include padded carrying case, and either a hand aspirator or a battery operated pump.  
**Instrument and charger sold separately.**

### Hand aspirator sample kit

<u>Part#</u>	<u>Description</u>	<u>Suggested Retail</u>
81-2100RK	Confined space kit includes padded case, hand aspirator assembly with 10' hose, and probe (instrument and charger sold separately) .....	200.00
81-2123RK	Confined space kit with hand aspirator assembly with 10' hose, probe, 34AL H2S (25 ppm)/CO/O2/CH4, regulator, padded case, calibration cap, and cal tubing (instrument and charger sold separately) .....	560.00

### RP-2009 sample pump kit for GX-2009

<u>Part#</u>	<u>Description</u>	<u>Suggested Retail</u>
81-2120RKA	Confined space kit includes padded case, RP-2009 pump, 10' hose, and probe (instrument and charger sold separately) .....	540.00
81-2124RKA	Confined space kit with RP-2009 pump, 10' hose, probe, calibration cap, 34AL H2S (25 ppm)/CO/O2/CH4, regulator, padded case, and cal tubing (instrument and charger sold separately) .....	800.00

# Premier Portable Instruments

## GX-2009 Accessories & Replacement Parts

Part#	Description	Suggested Retail
07-6017RK	Gasket for GX-2009 case, one each .....	2.50
07-6018RK	Gasket for buzzer hole, GX-2009 .....	6.00
07-6019RK	Sensor chamber gasket for sensor retainer, GX-2009, 1 each .....	7.00
07-6021RK	Gasket, sensor retainer, 1 each .....	2.00
10-1098RK	Screw with split lock and flat washers for alligator or belt clip, GX-2009, 1 each .....	0.50
10-1104RK	Screw for case or sensor retainer, M2 x 10 mm, GX-2001 or GX-2009, 1 each .....	0.25
13-0112RK	Wrist strap .....	4.00
13-0117RK	Belt clip, GX-2009, includes 3 installation screws .....	16.00
13-0119	Alligator clip with mounting screws, GX-2009 .....	30.00
13-0119-01	Optional ring attachment for 13-0119 with installation screws .....	9.00
15-0523RK	Battery charger spring contacts for GX-2009 charger, BC-2009 .....	2.20
20-0112RK-01	Padded carrying case for GX-3R, GX-3R Pro, or GX-2009 aspirator kit .....	115.00
20-0112RK-02	Padded carrying case for GX-3R, GX-3R Pro, or GX-2009, aspirator, and cal kit. ....	180.00
20-0115RK-01	Padded carrying case for one GX-3R, GX-3R Pro, GX-2009 or 03 series instrument and charger only .....	80.00
20-0116	Case with foam, generic for small portable instruments including 03/04 Series/GX-3R/GX-3R Pro/GX-2009	18.00
20-0324RK	Protective cover for GX-2009, vinyl .....	36.00
21-1880RK	Front case, GX-2009 .....	57.00
21-1881RK	Case, rear, GX-2009 .....	94.00
21-1882RK	Sensor retainer, GX-2009 (inner piece) .....	28.00
21-1883RK	Sensor case with PCB assembly, GX-2009 .....	70.00
21-1884RK	Sensor cover, GX-2009 (outside piece) .....	10.00
21-1885RK	Sensor cap assembly, GX-2009 (8 parts) .....	68.00
24-5000RK	Flexible printed circuit (FPC), GX-2009 .....	18.00
30-1054RK	Vibration motor for the GX-2009 and GX-6000 .....	32.00
33-0172-100	Sensor Cover, water proof, sheet for 4 sensors, GX-2009, pack of 100 sheets .....	300.00
33-0172RK	Sensor Cover, water proof, sheet for 4 sensors, GX-2009, 1 each .....	6.00
33-1113RK	Metal mesh filter for buzzer hole, GX-2009, 1 each .....	6.00
33-7009	Silicone scrubber disk, 5 pack for GX-2009 .....	13.00
33-7102RK	Filter, charcoal, for CO sensor, pack of 5, GX-2009/GX-2012/Gas Tracer/GX-6000 .....	10.00
33-7114RK	Filter disk, H2S scrubber, strip of 5, for LEL sensor port, GP-01/GX-2001/GX-2009/GX-2012/Gas Tracer/ GX-6000 .....	10.00
33-7117RK-01	Filter set for 1 instrument, 1 charcoal disk, 1 H2S scrubber, and 1 waterproof sensor cover for GX-2009 ...	14.00
33-7117RK-05	Filter set for 5 instruments, 5 charcoal disk, 5 H2S scrubbers, & 5 waterproof sensor covers for GX-2009	60.00
45-2430RK	Plug adapter for charger, US to Euro, non-grounded .....	3.60
46-3070RK	Connector for combining 2 charger bases (required to join chargers), BC-2009 .....	14.00
47-5084RK-01	Downloading cable, USB / IrDA adapter, Windows XP, Windows 7, Windows 8, and Windows 10 compatible .....	220.00
49-0115RK	115 / 220 VAC Adapter for charger, GX-6000/GX-2009/GX-2012/Gas Tracer/EAGLE 2/GX-8000/SC-8000 ...	20.00
49-1050RK	Battery, memory backup, silver oxide, SR 616, 1.55 volts, GX-2009 and GX-6000, snaps in .....	10.00
49-1609RK	Ni-MH battery set with hardware for GX-2009, set of 2 batteries.....	80.00
49-2020RK	12 VDC Adapter for charger with vehicle plug (charger base not included), GX-2009/GX-2012/Gas Tracer/ GX-6000 .....	24.00
49-2058RK-04	AC adapter 4 port charger for SDM-2009, SDM-2012, and SDM-03.....	88.00
49-2170RK	Charging station base only, BC-2009.....	75.00
49-2170RK-01	Charging station with 115 / 220 VAC power supply for single instrument, GX-2009 .....	90.00
49-2170RK-02	Charging station with 115 / 220 VAC power supply for two instruments, GX-2009 .....	170.00
49-2170RK-03	Charging station with 115 / 220 VAC power supply for three instruments, GX-2009 .....	250.00
49-2170RK-04	Charging station with 115 / 220 VAC power supply for four instruments, GX-2009 .....	330.00
49-2170RK-05	Charging station with 115 / 220 VAC power supply for five instruments, GX-2009 .....	410.00
49-2171RK	Charging station with 12 VDC adapter and vehicle adaptor plug for GX-2009 (single unit) .....	95.00
51-1119RK	LCD module assembly with flat cable for GX-2009 .....	30.00
57-2052RK	PCB main assembly, GX-2009.....	250.00
65-7001RK	Dummy sensor for GX-2009, GX-2012, or GX-6000 empty sensor slots (LEL, O2, H2S, & CO) .....	5.00
65-SENSORSET	Sensor set for GX-2009, four sensors including LEL, O2, H2S, and CO .....	520.00
81-0090RK-01	Cylinder, CO 50 ppm / CH4 50% LEL / O2 12 % in N2, 34L steel .....	55.00
81-0090RK-03	Cylinder, CO 50 ppm / CH4 50% LEL / O2 12 % in N2, 103L steel .....	150.00
81-0154RK-02	Cylinder, H2S 25 ppm / CO 50 ppm / CH4 50% LEL / O2 12% in N2, 58AL .....	190.00



# Premier Portable Instruments

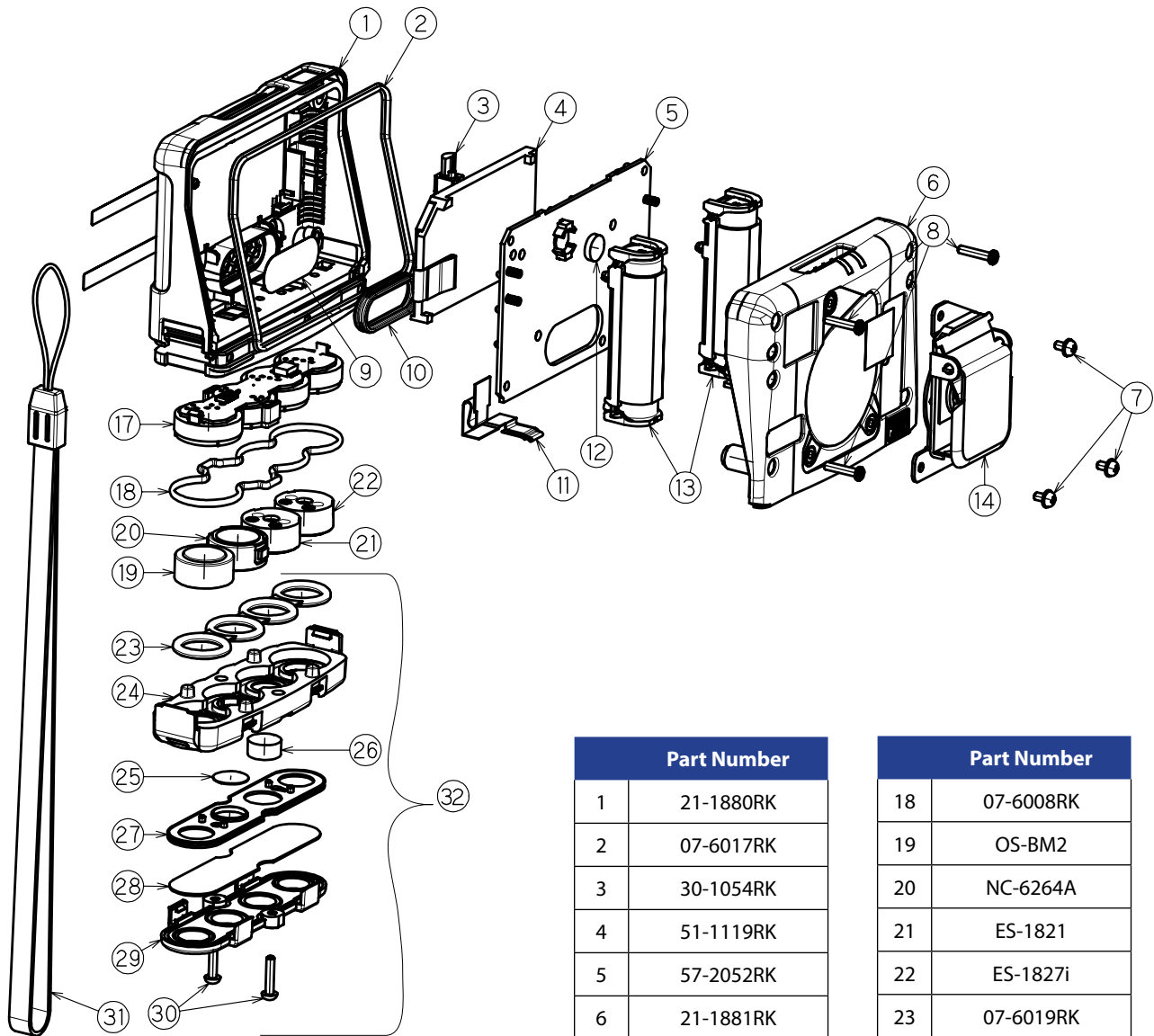
## GX-2009 Accessories & Replacement Parts

<b>Part#</b>	<b>Description</b>	<b>Suggested Retail</b>
81-0154RK-04	Cylinder, H2S 25 ppm / CO 50 ppm / CH4 50% LEL / O2 12% in N2, 34AL .....	160.00
81-0154RK-06-10	Bump test cylinder, H2S 40 ppm / CO 100 ppm / Methane 50% LEL / O2 12% in N2, 11AL aerosol, with balloon and cal cup for GX-2009 .....	75.00
81-0154RK-116	Cylinder, H2S 25 ppm / CO 50 ppm / CH4 50% LEL / O2 12% in N2, 116AL.....	320.00
81-1050RK	Regulator, with gauge & knob, 17/34L, 0.5 LPM, CGA 600 fitting.....	125.00
81-1051RK	Regulator, with gauge & knob, 34AL/58AL/103L steel, 0.5 LPM, C-10 fitting .....	125.00
81-1106RK	Sample adaptor for GX-2001 or GX-2009, rigid plastic, used with RP-6 .....	26.00
81-1107RK	Cal cap for GX-2001 and GX-2009 .....	17.00
81-1160RK	Hand aspirated sampler, with 10' hose and probe, GX-2001 or GX-2009 .....	95.00
81-1160RK-20	Hand aspirated sampler, with 20' hose and probe, GX-2001 or GX-2009 .....	99.00



# Premier Portable Instruments

## GX-2009 Spare Parts Diagram



Part Number	
1	21-1880RK
2	07-6017RK
3	30-1054RK
4	51-1119RK
5	57-2052RK
6	21-1881RK
7	10-1098RK
8	10-1104RK
9	33-1113RK
10	07-6018RK
11	24-5000RK
12	49-1050RK
13	49-1609RK
14	13-0119RK
17	21-1883RK

Part Number	
18	07-6008RK
19	OS-BM2
20	NC-6264A
21	ES-1821
22	ES-1827i
23	07-6019RK
24	21-1882RK
25	33-7114RK
26	33-7102RK
27	07-6021RK
28	33-0172RK
29	21-1884RK
30	10-1104RK
31	13-0112RK
32	21-1885RK

# Premier Portable Instruments

## RP-2009 Sample Drawing Pump For GX-2009

All pumps attach to the GX-2009 and include a 4" rubber nipple for sampling. Some versions also include a 10' hose (30' max), and a probe for remote sampling. All RP-2009 pumps include built in dust and hydrophobic filters, and one "AA" alkaline battery.

**Note:** Not available for sale in Canada.



<b>Part#</b>	<b>Description</b>	<b>Suggested Retail</b>
81-1176RK	RP-2009 pump with 4" rubber nipple for GX-2009 or GX-2001 .....	360.00
81-1177RK	RP-2009 pump with 4" rubber nipple, 10' hose and probe for GX-2009 or GX-2001 .....	420.00
81-1177RK-20	RP-2009 pump with 4" rubber nipple, 20' hose and probe for GX-2009 or GX-2001 .....	425.00

## RP-2009 Accessories & Replacement Parts

<b>Part#</b>	<b>Description</b>	<b>Suggested Retail</b>
07-2005RK	Gasket, filter/screen retaining, RP-3R/RP-2009/RP-6/GX-2003/GX-2012/Gas Tracer .....	15.00
07-2017RK	Housing gasket for sensor chamber, RP-2009 .....	5.00
07-6000RK	O-ring for inlet fitting of RP-3R/RP-2009/RP-6/GX-2003/GX-2012/Gas Tracer .....	1.00
07-6027RK	O-ring, battery compartment sealing, RP-2009 .....	1.40
10-1093RK	Screw M2 x 6 .....	0.75
10-1100RK	Screw, 0 x 4.5 mm, flat head phillips, self tapping, stainless steel, GX-2001 .....	0.40
11-5090RK	Washer, flat, 2.2 mm x 4.3 mm x 0.3 mm, for sensor adapter retaining, RP-2009 .....	3.00
15-0522RK	Battery contact spring, battery cap, RP-2009 .....	7.60
17-1000RK	Inlet fitting (also needs o-ring 07-6000RK) for RP-3R/RP-6 .....	8.80
17-1001RK	Tapered rubber inlet nozzle, 4", RP-3R/RP-2009/RP-6/GX-2003/GX-2012/Gas Tracer .....	8.00
21-1833RK	Filter holder, clear plastic, RP-3R/RP-2009/GX-2003/GX-2012/Gas Tracer/GX-6000 .....	12.80
21-1895RK	Battery cap for RP-2009 pump .....	10.60
21-1896RK	Main case assembly, RP-2009 .....	51.00
21-1897RK	Top case assembly, RP-2009 .....	18.00
21-1898RK	Sensor adapter assembly for sensor chamber, RP-2009 .....	10.60
29-0648RK	Label, control panel, RP-2009 .....	7.50
30-0022RK	Pump replacement for GX-2012/Gas Tracer/RP-3R/RP-2009/GX-6000/FP-31/NC-1000, with cable and connector .....	140.00
33-0159RK	Teflon filter disc, 10 pieces, RP-3R/RP-2009/RP-6/GX-2003/GX-2012/Gas Tracer/GX-6000/NC-1000 .....	24.00
33-1031RK	Cotton balls, filters for probe, bag of 25 .....	4.00
33-1112RK	Wire mesh disk filter, RP-3R/RP-2009/RP-6/GX-2003/GX-2012/Gas Tracer/GX-6000, 10 pack .....	15.00
49-1120RK	Size AA alkaline battery .....	1.20
80-0009RK-10	Hose, 10', polyurethane, GX-2012/Gas Tracer/GX-20003/RP-3R/RP-3R/RP-2009 .....	36.00
80-0009RK-15	Hose, 15', polyurethane, GX-2012/Gas Tracer/GX-20003/RP-3R/RP-2009 .....	38.00
80-0009RK-20	Hose, 20', polyurethane, GX-2012/Gas Tracer/GX-20003/RP-3R/RP-2009 .....	40.00
80-0009RK-25	Hose, 25', polyurethane, GX-2012/Gas Tracer/GX-20003/RP-3R/RP-2009 .....	42.00
80-0009RK-30	Hose, 30', polyurethane, GX-2012/Gas Tracer/GX-20003/RP-3R/RP-2009 .....	46.00
80-0150RK	Probe assembly, 10", with cotton ball filter .....	25.00
80-0404RK	Dilution fitting, 50:50 for GX-2003/-2012/Gas Tracer/RP-2009/RP-6/RP-3R .....	95.00

### RP-2009 sample pump kit for GX-2009

<b>Part#</b>	<b>Description</b>	<b>Suggested Retail</b>
81-2120RKA	Confined space kit includes padded case, RP-2009 pump, 10' hose, and probe (instrument and charger sold separately) .....	540.00
81-2124RKA	Confined space kit with RP-2009 pump, 10' hose, probe, calibration cap, 34AL H2S (25 ppm)/CO/O2/CH4, regulator, padded case, and cal tubing (instrument and charger sold separately) .....	800.00

# Premier Portable Instruments

## GX-2009 MSHA With 115 VAC Standard Charger

Part#	Description	Suggested Retail
72-0311-MSHA-C	GX-2009 MSHA, 3 gas, CH4 / O2 / CO with alligator clip and 115 / 220 VAC charger .....	720.00
72-0316-MSHA-C	GX-2009 MSHA, 4 gas, CH4 / O2 / NO2 / CO with alligator clip and 115 / 220 VAC charger .....	795.00
72-0318-MSHA-C	GX-2009 MSHA, 3 gas, CH4 / O2 / CO (can add NO2 channel) with alligator clip and 115 / 220 VAC charger .....	770.00
72-0314-MSHA-C	GX-2009 MSHA, 4 gas, CH4 / O2 / H2S / CO with alligator clip and 115 / 220 VAC charger .....	745.00



### Instrument Price Includes

13-0112RK	Wrist strap
49-0115RK	115 / 220 VAC Adapter for charger, GX-6000/GX-2009/GX-2012/Gas Tracer/EAGLE 2/GX-8000/SC-8000
49-1609RK	Ni-MH battery set with hardware for GX-2009, set of 2 batteries
49-2170RK	Charging station base only, BC-2009

## GX-2009 MSHA With 12 VDC Charger & Vehicle Plug

Part#	Description	Suggested Retail
72-0311-MSHA-A	GX-2009 MSHA, 3 gas, CH4 / O2 / CO with alligator clip, 12 VDC charger and vehicle plug .....	735.00
72-0316-MSHA-A	GX-2009 MSHA, 4 gas, CH4 / O2 / NO2 / CO with alligator clip, 12 VDC charger and vehicle plug .....	810.00
72-0314-MSHA-A	GX-2009 MSHA, 4 gas, CH4 / O2 / H2S / CO with alligator clip, 12 VDC charger and vehicle plug .....	760.00



### Instrument Price Includes

13-0112RK	Wrist strap
49-1609RK	Ni-MH battery set with hardware for GX-2009, set of 2 batteries
49-2020RK	12 VDC Adapter for charger with vehicle plug (charger base not included), GX-2009/GX-2012/Gas Tracer/GX-6000
49-2170RK	Charging station base only, BC-2009

## GX-2009 MSHA Four Gas Personal Monitor (Charger Not Included)

Part#	Description	Suggested Retail
72-0311-MSHA	GX-2009 MSHA, 3 gas, CH4 / O2 / CO with alligator clip, no charger .....	670.00
72-0314-MSHA	GX-2009 MSHA, 4 gas, CH4 / O2 / H2S / CO with alligator clip, no charger .....	650.00
72-0316-MSHA	GX-2009 MSHA, 4 gas, CH4 / O2 / NO2 / CO with alligator clip, no charger .....	745.00



### Instrument Price Includes

13-0112RK	Wrist strap
49-1609RK	Ni-MH battery set with hardware for GX-2009, set of 2 batteries

## Replacement Sensors

Part#	Description	Suggested Retail
ES-1821	Sensor, Carbon Monoxide (CO) 0-500 ppm for GX-2009/GX-2012/GX-6000/CO-03/GasWatch 2/Gas Tracer	140.00
ES-1826	Sensor, Nitrogen Dioxide (NO2) 0-20 ppm for GX-2009 MSHA .....	160.00
ES-18271	Sensor, Hydrogen Sulfide (H2S) 0-100 ppm for GX-2009/GX-2012/GX-6000/HS-03/GasWatch 2 .....	140.00
NC-6264B	Sensor, Methane (CH4) 0-100% LEL for GX-2009 MSHA / GX-2012 CSA .....	140.00
OS-BM2	Sensor, Galvanic, Oxygen (O2) 0-25% Vol. for GX-2009/GX-2012/GasTracer/GX-6000/OX-03/GasWatch 3	120.00

# Premier Portable Instruments

## GX-2009 MSHA Calibration Kits

Instrument #	Cal-Kit Part #	Cal-Kit Description	Price
72-0311-MSHA 72-0311-MSHA-A 72-0311-MSHA-C 72-0318-MSHA-C	81-GX01CO	Cal kit, GX-2001/GX-2009, 103L steel cyl Methane/CO/O2, reg with gauge & knob, cal cap, case & tubing	355.00
	81-GX01CO-LV	Cal kit, GX-2001/GX-2009, 34L cyl Methane/CO/O2, reg with gauge & knob, cal cap, case & tubing	300.00
72-0314-MSHA 72-0314-MSHA-A 72-0314-MSHA-C	81-GX01HSCO	Cal kit, GX-2001/GX-2009, 58AL cyl Methane/H2S/CO/O2, reg with gauge & knob, cal cap, case & tubing	395.00
	81-GX01HSCO-LV	Cal kit, GX-2001/GX-2009, 34AL cyl Methane/H2S/CO/O2, reg with gauge & knob, cal cap, case & tubing	405.00
72-0316-MSHA 72-0316-MSHA-A 72-0316-MSHA-C	81-GX09CONO2	Cal kit, GX-2009 MSHA, 58AL cyl Methane/NO2/CO/O2, reg with gauge & knob, cal cap, case & tubing	580.00
	81-GX09CONO2-LV	Cal kit, GX-2009 MSHA, 34AL cyl Methane/NO2/CO/O2, reg with gauge & knob, cal cap, case & tubing	475.00

## GX-2009 MSHA Accessories & Replacement Parts

Part#	Description	Suggested Retail
07-6017RK	Gasket for GX-2009 case, one each	2.50
07-6018RK	Gasket for buzzer hole, GX-2009	6.00
07-6019RK	Sensor chamber gasket for sensor retainer, GX-2009, 1 each	7.00
07-6021RK	Gasket, sensor retainer, 1 each	2.00
10-1098RK	Screw with split lock and flat washers for alligator or belt clip, GX-2009, 1 each	0.50
10-1104RK	Screw for case or sensor retainer, M2 x 10 mm, GX-2001 or GX-2009, 1 each	0.25
13-0112RK	Wrist strap	4.00
13-0117RK	Belt clip, GX-2009, includes 3 installation screws	16.00
13-0119	Alligator clip with mounting screws, GX-2009	30.00
13-0119-01	Optional ring attachment for 13-0119 with installation screws	9.00
15-0523RK	Battery charger spring contacts for GX-2009 charger, BC-2009	2.20
20-0112RK-01	Padded carrying case for GX-3R, GX-3R Pro, or GX-2009 aspirator kit	115.00
20-0112RK-02	Padded carrying case for GX-3R, GX-3R Pro, or GX-2009, aspirator, and cal kit.	180.00
20-0115RK-01	Padded carrying case for one GX-3R, GX-3R Pro, GX-2009 or 03 series instrument and charger only	80.00
20-0116	Case with foam, generic for small portable instruments including 03/04 Series/GX-3R/GX-3R Pro/GX-2009	18.00
20-0324RK	Protective cover for GX-2009, vinyl	36.00
21-1880RK	Front case, GX-2009	57.00
21-1881RK	Case, rear, GX-2009	94.00
21-1882RK	Sensor retainer, GX-2009 (inner piece)	28.00
21-1883RK	Sensor case with PCB assembly, GX-2009	70.00
21-1884RK	Sensor cover, GX-2009 (outside piece)	10.00
21-1885RK	Sensor cap assembly, GX-2009 (8 parts)	68.00
24-5000RK	Flexible printed circuit (FPC), GX-2009	18.00
30-1054RK	Vibration motor for the GX-2009 and GX-6000	32.00
33-0172-100	Sensor Cover, water proof, sheet for 4 sensors, GX-2009, pack of 100 sheets	300.00
33-0172RK	Sensor Cover, water proof, sheet for 4 sensors, GX-2009, 1 each	6.00
33-1113RK	Metal mesh filter for buzzer hole, GX-2009, 1 each	6.00
33-7009	Silicone scrubber disk, 5 pack for GX-2009	13.00
33-7102RK	Filter, charcoal, for CO sensor, pack of 5, GX-2009/GX-2012/Gas Tracer/GX-6000	10.00
33-7114RK	Filter disk, H2S scrubber, strip of 5, for LEL sensor port, GP-01/GX-2001/GX-2009/GX-2012/Gas Tracer/GX-6000	10.00
33-7117RK-01	Filter set for 1 instrument, 1 charcoal disk, 1 H2S scrubber, and 1 waterproof sensor cover for GX-2009	14.00
33-7117RK-05	Filter set for 5 instruments, 5 charcoal disk, 5 H2S scrubbers, & 5 waterproof sensor covers for GX-2009	60.00
45-2430RK	Plug adapter for charger, US to Euro, non-grounded	3.60



# Premier Portable Instruments

## GX-2009 MSHA Accessories & Replacement Parts (continued)

<u>Part#</u>	<u>Description</u>	<u>Suggested Retail</u>
46-3070RK	Connector for combining 2 charger bases (required to join chargers), BC-2009 .....	14.00
47-5084RK-01	Downloading cable, USB / IrDA adapter, Windows XP, Windows 7, Windows 8, and Windows 10 compatible .....	220.00
49-0115RK	115 / 220 VAC Adapter for charger, GX-6000/GX-2009/GX-2012/Gas Tracer/EAGLE 2/GX-8000/SC-8000 ...	20.00
49-1050RK	Battery, memory backup, silver oxide, SR 616, 1.55 volts, GX-2009 and GX-6000, snaps in .....	10.00
49-1609RK	Ni-MH battery set with hardware for GX-2009, set of 2 batteries.....	80.00
49-2020RK	12 VDC Adapter for charger with vehicle plug (charger base not included), GX-2009/GX-2012/Gas Tracer/GX-6000 .....	24.00
49-2058RK-04	AC adapter 4 port charger for SDM-2009, SDM-2012, and SDM-03.....	88.00
49-2170RK	Charging station base only, BC-2009.....	75.00
49-2170RK-01	Charging station with 115 / 220 VAC power supply for single instrument, GX-2009 .....	90.00
49-2170RK-02	Charging station with 115 / 220 VAC power supply for two instruments, GX-2009 .....	170.00
49-2170RK-03	Charging station with 115 / 220 VAC power supply for three instruments, GX-2009 .....	250.00
49-2170RK-04	Charging station with 115 / 220 VAC power supply for four instruments, GX-2009 .....	330.00
49-2170RK-05	Charging station with 115 / 220 VAC power supply for five instruments, GX-2009 .....	410.00
49-2171RK	Charging station with 12 VDC adapter and vehicle adaptor plug for GX-2009 (single unit) .....	95.00
51-1119RK	LCD module assembly with flat cable for GX-2009 .....	30.00
57-2052RK	PCB main assembly, GX-2009.....	250.00
65-7001RK	Dummy sensor for GX-2009, GX-2012, or GX-6000 empty sensor slots (LEL, O2, H2S, & CO) .....	5.00
81-0090RK-01	Cylinder, CO 50 ppm / CH4 50% LEL / O2 12 % in N2, 34L steel .....	55.00
81-0090RK-03	Cylinder, CO 50 ppm / CH4 50% LEL / O2 12 % in N2, 103L steel .....	150.00
81-0154RK-02	Cylinder, H2S 25 ppm / CO 50 ppm / CH4 50% LEL / O2 12% in N2, 58AL .....	190.00
81-0154RK-04	Cylinder, H2S 25 ppm / CO 50 ppm / CH4 50% LEL / O2 12% in N2, 34AL .....	160.00
81-0154RK-06-10	Bump test cylinder, H2S 40 ppm / CO 100 ppm / Methane 50% LEL / O2 12% in N2, 11AL aerosol, with balloon and cal cup for GX-2009 .....	75.00
81-0154RK-116	Cylinder, H2S 25 ppm / CO 50 ppm / CH4 50% LEL / O2 12% in N2, 116AL.....	320.00
81-0168RK-02	Cylinder, NO2 10 ppm / CO 50 ppm / O2 12% / CH4 2.5% in N2, 58AL (7 month shelf life) .....	360.00
81-0168RK-04	Cylinder, NO2 10 ppm / CO 50 ppm / O2 12% / CH4 2.5% in N2, 34AL (7 month shelf life) .....	220.00
81-1050RK	Regulator, with gauge & knob, 17/34L, 0.5 LPM, CGA 600 fitting.....	125.00
81-1051RK	Regulator, with gauge & knob, 34AL/58AL/103L steel, 0.5 LPM, C-10 fitting .....	125.00
81-1106RK	Sample adaptor for GX-2001 or GX-2009, rigid plastic, used with RP-6 .....	26.00
81-1107RK	Cal cap for GX-2001 and GX-2009 .....	17.00
81-1160RK	Hand aspirated sampler, with 10' hose and probe, GX-2001 or GX-2009 .....	95.00
81-1160RK-20	Hand aspirated sampler, with 20' hose and probe, GX-2001 or GX-2009 .....	99.00

# Premier Portable Instruments

## GX-2012 Five Sensor Sample Draw Confined Space Monitor

Combustibles (CH4 Standard)	% Volume CH4	O2	H2S	CO
Catalytic combustion	Thermal Conductivity	Galvanic Cell	Electrochemical Cell	
0 ~ 100% LEL	0 ~ 100% Vol.	0 ~ 40% Vol.	0 ~ 100 ppm	0 ~ 500 ppm



### Part Number Structure

**72-0290-**      **XX**      -      **Y**  
Gas Configuration      Battery Option

### Step 1 - Choose Base Model

<u>Part#</u>	<u>Description</u>	<u>Suggested Retail</u>
72-0290-01-__	GX-2012, 1 sensor, LEL base, choose battery option .....	845.00
72-0290-02-__	GX-2012, 1 sensor, O2 base, choose battery option .....	845.00
72-0290-03-__	GX-2012, 1 sensor, H2S base, choose battery option .....	845.00
72-0290-04-__	GX-2012, 1 sensor, CO base, choose battery option .....	845.00
72-0290-08-__	GX-2012, 2 sensor, LEL / O2 base, choose battery option.....	895.00
72-0290-09-__	GX-2012, 2 sensor, LEL / H2S base, choose battery option .....	895.00
72-0290-10-__	GX-2012, 2 sensor, LEL / CO base, choose battery option .....	895.00
72-0290-12-__	GX-2012, 2 sensor, O2 / CO base, choose battery option .....	895.00
72-0290-16-__	GX-2012, 3 sensor, LEL / O2 / H2S base, choose battery option .....	945.00
72-0290-17-__	GX-2012, 3 sensor, LEL / O2 / CO base, choose battery option .....	945.00
72-0290-18-__	GX-2012, 3 sensor, LEL / % volume CH4 / O2 base, choose battery option .....	995.00
72-0290-19-__	GX-2012, 3 sensor, LEL / % volume CH4 / CO base, choose battery option .....	995.00
72-0290-22-A	GX-2012, 4 sensor, LEL / O2 / H2S / CO with alkaline battery pack .....	995.00
72-0290-23-__	GX-2012, 4 sensor, LEL / % volume CH4 / O2 / CO base, choose battery option .....	1,045.00
72-0290-24-__	GX-2012, 4 sensor, LEL / % volume CH4 / O2 / H2S base, choose battery option .....	1,045.00
72-0290-27-__	GX-2012, 5 sensor, LEL / % volume CH4 / O2 / H2S / CO base, choose battery option .....	1,095.00

### Step 2 - Choose Battery Option

**Add Battery Option** letter below to the end of the Base Model part # and add price to the Base Model price.

A	Alkaline battery pack only .....	0.00
B	Alkaline and Li-Ion battery packs with 100-240 VAC Charger .....	260.00
C	Li-Ion battery pack only with 100-240 VAC charger (Alkaline battery pack not included) .....	200.00
D	Li-Ion battery pack only with 12 VDC charger (Alkaline battery pack not included) .....	200.00
E	Alkaline and Li-Ion battery packs with 12 VDC Charger .....	260.00
F	Li-Ion battery pack only with 100-240 VAC / 12 VDC Charger (Alkaline battery pack not included) .....	220.00
G	Alkaline and Li-Ion battery packs with 100-240 VAC / 12 VDC charger .....	280.00
H	Li-Ion battery pack only with no charger .....	150.00

**Example: 72-0290-22-C is GX-2012, 4 sensors, LEL / O2 / H2S / CO, with 100-240 VAC charger and Li-Ion battery pack**  
 (Alkaline battery pack is not included with this example)

<u>Part#</u>	<u>Description</u>	<u>Suggested Retail</u>
72-0290-22-C	GX-2012, 4 sensors, LEL / O2 / H2S / CO, with 100-240 VAC charger and Li-Ion battery pack.....	1,195.00

### Instrument Price Includes

10' hose, probe, and Quick Reference Card. The battery and charger (if applicable) option selected above is also included.

# Premier Portable Instruments

## GX-2012 Instrument Bundles (Instrument Included)

Part#	Description	Suggested Retail
72-0290-22-A-50	GX-2012 bundle, 4 sensors, LEL / O <sub>2</sub> / H <sub>2</sub> S / CO unit with alkaline battery pack, and padded case	1,110.00
72-0290-22-A-51	GX-2012 bundle, 4 sensors, LEL / O <sub>2</sub> / H <sub>2</sub> S / CO unit with alkaline battery pack, 34AL cyl H <sub>2</sub> S/CO/O <sub>2</sub> /CH <sub>4</sub> , demand flow regulator, tubing and padded case	1,515.00
72-0290-22-C-50	GX-2012 bundle, 4 sensors, LEL / O <sub>2</sub> / H <sub>2</sub> S / CO unit with Li-Ion battery pack and 115 VAC charger, and padded case	1,310.00
72-0290-22-C-51	GX-2012 bundle, 4 sensors, LEL / O <sub>2</sub> / H <sub>2</sub> S / CO unit with Li-Ion battery pack and 115 VAC charger, 34AL cyl H <sub>2</sub> S/CO/O <sub>2</sub> /CH <sub>4</sub> , demand flow regulator, tubing and padded case	1,715.00



72-0290-22-C-51

## GX-2012 Replacement Sensors

Part#	Description	Suggested Retail
ES-1821	Sensor, Carbon Monoxide (CO) 0-500 ppm for GX-2009/GX-2012/GX-6000/CO-03/GasWatch 2/Gas Tracer	140.00
ES-18271	Sensor, Hydrogen Sulfide (H <sub>2</sub> S) 0-100 ppm for GX-2009/GX-2012/GX-6000/HS-03/GasWatch 2	140.00
NC-6264A	Sensor, Methane (CH <sub>4</sub> ) 0-100% LEL for GX-2009/GX-2012/GX-6000/GP-03/Gas Tracer	120.00
NC-6264AZX	Sensor, Methane (CH <sub>4</sub> ) 0-100% LEL, silicone resistant, for GX-2009/GX-2012/GX-6000/GX-2001/GX-2003/Gas Tracer/GP-01	130.00
OS-BM2	Sensor, Galvanic, Oxygen (O <sub>2</sub> ) 0-25% Vol. for GX-2009/GX-2012/GasTracer/GX-6000/OX-03/GasWatch 3	120.00
TE-7561	Sensor, TC, % volume, GX-2003/GX-2012/Gas Tracer	160.00

## GX-2012 Calibration Kits

Instrument #	Cal-Kit Part #	Cal-Kit Description	Price
72-0290-08	81-GX03CO	Cal kit, GX-2003/GX-2012, 103L steel cyl CO/CH <sub>4</sub> /O <sub>2</sub> in N <sub>2</sub> , dem flow reg, case & tubing	455.00
72-0290-10	81-GX03CO-DLV	Cal kit, GX-2003/GX-2012, 34L cyl CO/CH <sub>4</sub> /O <sub>2</sub> , dem flow reg, case & tubing	435.00
72-0290-12			
72-0290-17	81-GX03CO-LV	Cal kit, GX-2003/GX-2012, 34L cyl CO/CH <sub>4</sub> /O <sub>2</sub> in N <sub>2</sub> , dispensing valve, gas bag, case & tubing	210.00
72-0290-09 72-0290-16 72-0290-22	81-GX03HSCO	Cal kit, GX-2003/GX-2012, 58AL cyl H <sub>2</sub> S (25 ppm)/CO/CH <sub>4</sub> /O <sub>2</sub> , dem flow reg, case & tubing	495.00
	81-GX03HSCO-DLV	Cal kit, GX-2003/GX-2012, 34AL cyl H <sub>2</sub> S (25 ppm)/CO/CH <sub>4</sub> /O <sub>2</sub> , dem flow reg, case & tubing	500.00
	81-GX03HSCO-LV	Cal kit, GX-2003/GX-2012, 34AL cyl H <sub>2</sub> S (25 ppm)/CO/CH <sub>4</sub> /O <sub>2</sub> , reg with gauge & knob, gas bag, case & tubing	415.00
72-0290-11 72-0290-18 72-0290-19 72-0290-23	81-GX12VCO-DLV	Cal kit, GX-2012, 34L cyl CO/CH <sub>4</sub> /O <sub>2</sub> , 34L 50% vol CH <sub>4</sub> , dem flow reg, case & tubing	490.00
72-0290-24 72-0290-27	81-GX03VHSCO	Cal kit, GX-2003/GX-2012, 58AL cyl H <sub>2</sub> S (25 ppm)/CO/CH <sub>4</sub> /O <sub>2</sub> , 58L 100% vol. CH <sub>4</sub> , dem flow reg, case & tubing	645.00
	81-GX03VHSCO-LV	Cal kit, GX-2003/GX-2012, 34AL cyl H <sub>2</sub> S (25 ppm)/CO/CH <sub>4</sub> /O <sub>2</sub> , 58L cyl 100% vol. CH <sub>4</sub> , reg with gauge & knob, disp valve, gas bag, case & tubing	565.00
	81-GX03VHSCODLV	Cal kit, GX-2003/GX-2012, 34AL cyl H <sub>2</sub> S (25 ppm)/CO/CH <sub>4</sub> /O <sub>2</sub> , 58L cyl 100% vol. CH <sub>4</sub> , 1 dem flow reg, case & tubing	650.00

# Premier Portable Instruments

## SDM-2012 Calibration Station

**ORDERING INFORMATION:** When ordering an SDM-2012 calibration station, please specify the following components:

- 1) Select the docking station part number based on your calibration needs (calibration gas cylinder, regulator, or unit only).
- 2) Select any other calibration gas cylinder you may need.



**SDM-2012**

<u>Part#</u>	<u>Description</u>	<u>Suggested Retail</u>
81-SDM2012-01	Single point calibration station for GX-2012 and Gas Tracer, model SDM-2012 with AC Adaptor, flash drive, USB cable, & tubing .....	1,280.00
81-SDM2012-02	Single point calibration station for GX-2012 and Gas Tracer, model SDM-2012 with AC Adaptor, flash drive, USB cable, tubing, & demand flow regulator .....	1,520.00
81-SDM2012-03	Single point calibration station for GX-2012, model SDM-2012 with AC Adaptor, flash drive, USB cable, tubing, demand flow regulator & 58AL cyl H2S (25 ppm)/CO/CH4/O2 .....	1,710.00
81-SDM2012-04	Single point calibration station for GX-2012, model SDM-2012 with AC Adaptor, flash drive, USB cable, tubing, demand flow regulator, 58AL cyl H2S (25 ppm)/CO/CH4/O2 & 58L steel cyl Methane 100% volume .....	1,860.00
81-SDM2012-05	Single point calibration station for GX-2012, model SDM-2012 with AC Adaptor, flash drive, USB cable, tubing, two demand flow regulators, 58AL cyl H2S (25 ppm)/CO/CH4/O2 & 58L steel cyl Methane 100% volume .....	2,100.00

## SDM-2012 Calibration Gases & Equipment

<u>Part#</u>	<u>Description</u>	<u>Suggested Retail</u>
32-0031RK-01	Valve with hose barbs and sample tube for two cylinders to connect to a single calibration station gas port .....	126.00
32-0211RK	Solenoid Valve, 3-Way, aluminum, multi-purpose, 12VDC, 1 Watt .....	72.00
33-0167RK	Filter, particulate, CF-8369 .....	25.00
49-0115RK	115 / 220 VAC Adapter for charger, GX-6000/GX-2009/GX-2012/Gas Tracer/EAGLE 2/GX-8000/SC-8000 ...	20.00
49-2058RK-04	AC adapter 4 port charger for SDM-2009, SDM-2012, and SDM-03 .....	88.00
81-0016RK-05	Cylinder, CH4 100% volume 58L steel .....	150.00
81-0090RK-01	Cylinder, CO 50 ppm / CH4 50% LEL / O2 12 % in N2, 34L steel .....	55.00
81-0090RK-03	Cylinder, CO 50 ppm / CH4 50% LEL / O2 12 % in N2, 103L steel .....	150.00
81-0154RK-02	Cylinder, H2S 25 ppm / CO 50 ppm / CH4 50% LEL / O2 12% in N2, 58AL .....	190.00
81-0154RK-04	Cylinder, H2S 25 ppm / CO 50 ppm / CH4 50% LEL / O2 12% in N2, 34AL .....	160.00
81-0154RK-116	Cylinder, H2S 25 ppm / CO 50 ppm / CH4 50% LEL / O2 12% in N2, 116AL .....	320.00
81-1054RK	Regulator, demand flow for 34AL/58AL/103L/116L cylinders .....	280.00
82-6050RK	USB Hub, 4 port 2.0 for SDM-03/SDM-2009/SDM-2012 .....	30.00
82-6051RK	USB Hub, 7 port 2.0 for SDM-03/SDM-2009/SDM-2012 .....	90.00
82-6105RK	USB flash drive, 1 GB, for calibration stations .....	25.00



# Premier Portable Instruments

## GX-2012 Replacement Parts & Accessories

Part#	Description	Suggested Retail
06-1248RK-03	Calibration kit tubing, polyurethane, 3/16" ID x 5/16" OD, 3 feet	4.50
07-2005RK	Gasket, filter/screen retaining, RP-3R/RP-2009/RP-6/GX-2003/GX-2012/Gas Tracer	15.00
07-6000RK	O-ring for inlet fitting of RP-3R/RP-2009/RP-6/GX-2003/GX-2012/Gas Tracer	1.00
07-6024RK	Battery pack gasket, GX-2012 / Gas Tracer	15.00
07-6025RK	Main case gasket, GX-2012 / Gas Tracer	6.00
07-6026RK	Sensor gasket, GX-2012 / Gas Tracer	6.00
10-1092RK	Truss screw M2 x 5	0.25
10-1093RK	Screw M2 x 6	0.75
13-0112RK	Wrist strap	4.00
13-0118RK	Belt clip, GX-2012 / Gas Tracer	24.00
17-1000RK	Inlet fitting (also needs o-ring 07-6000RK) for RP-3R/RP-6	8.80
17-1001RK	Tapered rubber inlet nozzle, 4", RP-3R/RP-2009/RP-6/GX-2003/GX-2012/Gas Tracer	8.00
17-4430RK-01	Bypass tee probe w/GX-7 quick disconnect,for GX-2003 / GX-2012/Gas Tracer purge sampling	22.00
20-0110RK-01	Case for 1-3 cylinders,17/34L/34AL, with foam	100.00
20-0112RK-03	Case with foam, for GX-2003 with accessories & cal kit with one cylinder	115.00
20-0114RK-01	Case with foam, for GX-2003 with accessories & cal kit with 2 cylinders	200.00
21-1833RK	Filter holder, clear plastic, RP-3R/RP-2009/GX-2003/GX-2012/Gas Tracer/GX-6000	12.80
21-1889RK	Main case assembly, GX-2012	154.00
21-1890RK	Top cover assembly, GX-2012/Gas Tracer	76.00
21-1892RK	Sensor cap assembly, GX-2012/Gas Tracer	76.00
30-0022RK	Pump replacement for GX-2012/Gas Tracer/RP-3R/RP-2009/GX-6000/FP-31/NC-1000, with cable and connector	140.00
31-0023RK-02	Flowmeter, 0.2 - 2.0 SCFH, with valve and hosebarb fitting for GX-2012 / GX-6000 flow measurement	140.00
33-0159RK	Teflon filter disc, 10 pieces, RP-3R/RP-2009/RP-6/GX-2003/GX-2012/Gas Tracer/GX-6000/NC-1000	24.00
33-1031RK	Cotton balls, filters for probe, bag of 25	4.00
33-1036RK	Filter body, plastic, for 80-0150RK probe	6.00
33-1112RK	Wire mesh disk filter, RP-3R/RP-2009/RP-6/GX-2003/GX-2012/Gas Tracer/GX-6000, 10 pack	15.00
33-7102RK	Filter, charcoal, for CO sensor, pack of 5, GX-2009/GX-2012/Gas Tracer/GX-6000	10.00
33-7114RK	Filter disk, H2S scrubber, strip of 5, for LEL sensor port, GP-01/GX-2001/GX-2009/GX-2012/Gas Tracer/GX-6000	10.00
45-2430RK	Plug adapter for charger, US to Euro, non-grounded	3.60
47-5084RK-01	Downloading cable, USB / IrDA adapter, Windows XP, Windows 7, Windows 8, and Windows 10 compatible	220.00
49-0115RK	115 / 220 VAC Adapter for charger, GX-6000/GX-2009/GX-2012/Gas Tracer/EAGLE 2/GX-8000/SC-8000	20.00
49-1120RK	Size AA alkaline battery	1.20
49-1320RK	Battery, Ni-MH, AA	4.00
49-1406RK	Battery, lithium, CR 1220, for main PCB for GX-2012, Gas Tracer, GP-1000, & NC-1000, snap in type	4.40
49-1615RK	Battery pack, lithium ion, GX-2012 / Gas Tracer, BUL-2012	175.00
49-1616RK	Alkaline Battery pack without batteries with gasket, GX-2012 / Gas Tracer	120.00
49-1616RK-01	Alkaline Battery pack cover with gasket, GX-2012 / Gas Tracer	30.00
49-2020RK	12 VDC Adapter for charger with vehicle plug (charger base not included), GX-2009/GX-2012/Gas Tracer/GX-6000	24.00
49-2058RK-04	AC adapter 4 port charger for SDM-2009, SDM-2012, and SDM-03	88.00
49-2180RK	Charging station only, for Li-Ion battery pack, no AC adapter for GX-2012/Gas Tracer	70.00
49-2180RK-01	Charging station with AC adapter, for Li-Ion battery pack, 110/115/220 VAC, for GX-2012/Gas Tracer	85.00
49-2181RK	Charging station with 12 VDC vehicle plug adapter for Li-Ion battery pack, for GX-2012/Gas Tracer	90.00
49-3105RK	Charger, Ni-MH, charges four AA or AAA size with A/C adapter and DC vehicle plug	36.00
49-3106RK	Charger, Ni-MH, charges twelve AA or AAA size with A/C adapter and DC vehicle plug	75.00
51-1125RK	LCD display, GX-2012 / Gas Tracer	60.00
57-2041RK	Sensor PC board assembly, GX-2012	88.00
57-2043RK	CPU PC board assembly, GX-2012	640.00
65-7001RK	Dummy sensor for GX-2009, GX-2012, or GX-6000 empty sensor slots (LEL, O2, H2S, & CO)	5.00
71-0239RK	GX-2012 CSA Operator's Manual	0.00
71-0245RK	GX-2012 Data Logger Management Program Operator's Manual	0.00
80-0009RK-10	Hose, 10', polyurethane, GX-2012/Gas Tracer/GX-20003/RP-3R/RP-2009	36.00
80-0009RK-15	Hose, 15', polyurethane, GX-2012/Gas Tracer/GX-20003/RP-3R/RP-2009	38.00
80-0009RK-20	Hose, 20', polyurethane, GX-2012/Gas Tracer/GX-20003/RP-3R/RP-2009	40.00
80-0009RK-25	Hose, 25', polyurethane, GX-2012/Gas Tracer/GX-20003/RP-3R/RP-2009	42.00
80-0009RK-30	Hose, 30', polyurethane, GX-2012/Gas Tracer/GX-20003/RP-3R/RP-2009	46.00

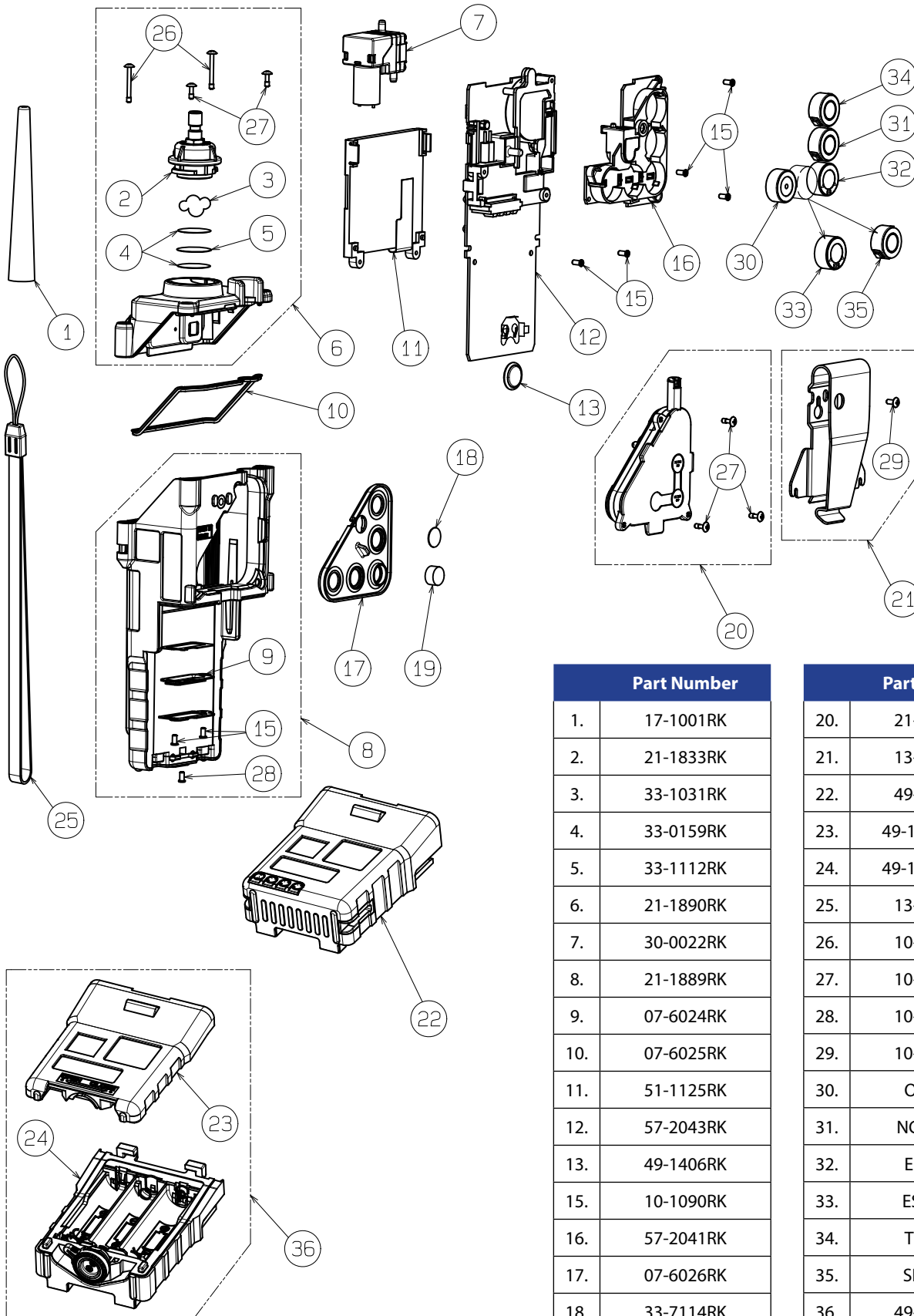
# Premier Portable Instruments

## GX-2012 Replacement Parts & Accessories

<b>Part#</b>	<b>Description</b>	<b>Suggested Retail</b>
80-0009RK-40	Hose, 40', polyurethane, GX-2012/Gas Tracer/GX-20003/RP-3R/RP-2009 .....	54.00
80-0009RK-50	Hose, 50', polyurethane, GX-2012/Gas Tracer/GX-20003/RP-3R/RP-2009 .....	72.00
80-0009RK-75	Hose, 75', polyurethane, GX-2012/Gas Tracer/GX-20003/RP-3R/RP-2009 .....	86.00
80-0009RK-96	Hose, 100', polyurethane, RKI style, GX-2012/Gas Tracer/GX-20003/RP-3R/RP-2009 .....	98.00
80-0101RK	Hose with floating head, 8 meters (25 feet), with GX-/RX- series .....	100.00
80-0138RK	Stainless steel probe, 4 feet with filter for GX-2012 .....	180.00
80-0140RK	Extendable probe, 32" (collapsible), fiberglass with filter for GX-2003/GX-2012/Gas Tracer .....	84.00
80-0144RK	Extendable probe, 7' (collapsible to 2'), fiberglass with filter for GX-2003/GX-2012/Gas Tracer .....	88.00
80-0150RK	Probe assembly, 10", with cotton ball filter .....	25.00
80-0155RK	Probe assembly, 30", aluminum, with cotton ball filter, for GX-2003/GX-2012/Gas Tracer .....	65.00
80-0157RK	Bar hole probe, 30" fiberglass for GX-2003/GX-2012/Gas Tracer .....	70.00
80-0161RK	Flexible 10" probe tube without instrument adapter, clear plastic .....	40.00
80-0161RK-24	Flexible 24" probe tube without instrument adapter, clear plastic .....	45.00
80-0162RK	Flexible 10" probe tube with female quick-connect (attaches to instrument) .....	75.00
80-0162RK-24	Flexible 24" probe tube with female quick-connect (attaches to instrument) .....	75.00
80-0225RK	Hydrophobic filter, in line, ACRO - 50 with fittings for GX-7/GX-2001/GX-2003/GX-2012/Gas Tracer and RX-415 .....	75.00
80-0404RK	Dilution fitting, 50:50 for GX-2003/-2012/Gas Tracer/RP-2009/RP-6/RP-3R .....	95.00
81-0016RK-05	Cylinder, CH4 100% volume 58L steel .....	150.00
81-0090RK-01	Cylinder, CO 50 ppm / CH4 50% LEL / O2 12 % in N2, 34L steel .....	55.00
81-0090RK-03	Cylinder, CO 50 ppm / CH4 50% LEL / O2 12 % in N2, 103L steel .....	150.00
81-0154RK-02	Cylinder, H2S 25 ppm / CO 50 ppm / CH4 50% LEL / O2 12% in N2, 58AL .....	190.00
81-0154RK-04	Cylinder, H2S 25 ppm / CO 50 ppm / CH4 50% LEL / O2 12% in N2, 34AL .....	160.00
81-0154RK-06-11	Bump test cylinder, H2S 40 ppm / CO 100 ppm / Methane 50% LEL / O2 12% in N2, 11AL aerosol, with red plastic straw and gas bag for GX-2012 .....	75.00
81-0154RK-116	Cylinder, H2S 25 ppm / CO 50 ppm / CH4 50% LEL / O2 12% in N2, 116AL .....	320.00
81-1050RK	Regulator, with gauge & knob, 17/34L, 0.5 LPM, CGA 600 fitting .....	125.00
81-1051RK	Regulator, with gauge & knob, 34AL/58AL/103L steel, 0.5 LPM, C-10 fitting .....	125.00
81-1054RK	Regulator, demand flow for 34AL/58AL/103L/116L cylinders .....	280.00
81-1055RK	Regulator, demand flow for 17L/34L steel steel cylinders .....	280.00

# Premier Portable Instruments

## GX-2012 Spare Parts Diagram



Part Number	
1.	17-1001RK
2.	21-1833RK
3.	33-1031RK
4.	33-0159RK
5.	33-1112RK
6.	21-1890RK
7.	30-0022RK
8.	21-1889RK
9.	07-6024RK
10.	07-6025RK
11.	51-1125RK
12.	57-2043RK
13.	49-1406RK
15.	10-1090RK
16.	57-2041RK
17.	07-6026RK
18.	33-7114RK
19.	33-7102RK

Part Number	
20.	21-1892RK
21.	13-0118RK
22.	49-1615RK
23.	49-1616RK-01
24.	49-1616RK-02
25.	13-0112RK
26.	10-1108RK
27.	10-1093RK
28.	10-1091RK
29.	10-1092RK
30.	OS-BM2
31.	NC-6264A
32.	ES-1821
33.	ES-1827I
34.	TE-7561
35.	SH-8641
36.	49-1616RK

# Premier Portable Instruments

## GX-2012 Five Sensor Sample Draw Confined Space Monitor with CSA Approval

Combustibles (CH4 Standard)	% Volume CH4	O2	H2S	CO
Catalytic combustion	Thermal Conductivity	Galvanic Cell	Electrochemical Cell	
0 ~ 100% LEL	0 ~ 100% Vol.	0 ~ 40% Vol.	0 ~ 100 ppm	0 ~ 500 ppm



### Part Number Structure

**72-0292-** Gas Configuration **XX** - Battery Option **Y**

### Step 1 - Choose Base Model

Part#	Description	Suggested Retail
72-0292-01-__	GX-2012, 1 sensor, LEL base, choose battery option .....	845.00
72-0292-02-__	GX-2012, 1 sensor, O2 base, choose battery option .....	845.00
72-0292-03-__	GX-2012, 1 sensor, H2S base, choose battery option .....	845.00
72-0292-04-__	GX-2012, 1 sensor, CO base, choose battery option .....	845.00
72-0292-08-__	GX-2012, 2 sensor, LEL / O2 base, choose battery option.....	845.00
72-0292-09-__	GX-2012, 2 sensor, LEL / H2S base, choose battery option .....	845.00
72-0292-10-__	GX-2012, 2 sensor, LEL / CO base, choose battery option .....	845.00
72-0292-12-__	GX-2012, 2 sensor, O2 / CO base, choose battery option .....	895.00
72-0292-14-__	GX-2012, 2 sensor, O2 / H2S .....	895.00
72-0292-16-__	GX-2012, 3 sensor, LEL / O2 / H2S base, choose battery option .....	945.00
72-0292-17-__	GX-2012, 3 sensor, LEL / O2 / CO base, choose battery option .....	945.00
72-0292-18-__	GX-2012, 3 sensor, LEL / % volume CH4 / O2 base, choose battery option .....	995.00
72-0292-19-__	GX-2012, 3 sensor, LEL / % volume CH4 / CO base, choose battery option .....	995.00
72-0292-22-__	GX-2012, 4 sensor, LEL / O2 / H2S / CO base, choose battery option .....	995.00
72-0292-23-__	GX-2012, 4 sensor, LEL / % volume CH4 / O2 / CO base, choose battery option .....	1,045.00
72-0292-24-__	GX-2012, 4 sensor, LEL / % volume CH4 / O2 / H2S base, choose battery option .....	1,045.00
72-0292-27-__	GX-2012, 5 sensor, LEL / % volume CH4 / O2 / H2S / CO base, choose battery option .....	1,095.00

### Step 2 - Choose Battery Option

**Add Battery Option** letter below to the end of the Base Model part # and add price to the Base Model price.

A	Alkaline battery pack only .....	0.00
B	Alkaline and Li-Ion battery pack with 100-240 VAC Charger .....	260.00
C	Li-Ion battery pack only with 100-240 VAC charger (Alkaline battery pack not included) .....	200.00
D	Li-Ion battery pack only with 12 VDC charger (Alkaline battery pack not included) .....	200.00
E	Alkaline and Li-Ion battery pack with 12 VDC Charger .....	260.00
F	Li-Ion battery pack only with 100-240 VAC / 12 VDC Charger (Alkaline battery pack not included) .....	220.00
G	Alkaline and Li-Ion battery pack with 100-240 VAC / 12 VDC charger .....	280.00
H	Li-Ion battery pack only with no charger .....	150.00

**Example: 72-0292-22-C is GX-2012, 4 sensors, LEL / O2 / H2S / CO, with 100-240 VAC charger and Li-Ion battery pack**  
(Alkaline battery pack is not included with this example)

Part#	Description	Suggested Retail
72-0292-22-C	GX-2012, 4 sensors, LEL / O2 / H2S / CO, with 100-240 VAC charger and Li-Ion battery pack.....	1,195.00

### Instrument Price Includes

10' hose, probe, and Quick Reference Card. The battery and charger (if applicable) option selected above is also included.

# Premier Portable Instruments

## GX-2012 CSA Replacement Sensors

Part#	Description	Suggested Retail
ES-1821	Sensor, Carbon Monoxide (CO) 0-500 ppm for GX-2009/GX-2012/GX-6000/CO-03/GasWatch 2/Gas Tracer	140.00
ES-18271	Sensor, Hydrogen Sulfide (H2S) 0-100 ppm for GX-2009/GX-2012/GX-6000/HS-03/GasWatch 2 .....	140.00
NC-6264B	Sensor, Methane (CH4) 0-100% LEL for GX-2009 MSHA / GX-2012 CSA .....	140.00
OS-BM2	Sensor, Galvanic, Oxygen (O2) 0-25% Vol. for GX-2009/GX-2012/GasTracer/GX-6000/OX-03/GasWatch 3	120.00
TE-7561	Sensor, TC, % volume, GX-2003/GX-2012/Gas Tracer .....	160.00

## GX-2012 CSA Calibration Kits

Instrument #	Cal-Kit Part #	Cal-Kit Description	Price
72-0290-08	81-GX03CO	Cal kit, GX-2003/GX-2012, 103L steel cyl CO/CH4/O2 in N2, dem flow reg, case & tubing	455.00
72-0290-10	81-GX03CO-DLV	Cal kit, GX-2003/GX-2012, 34L cyl CO/CH4/O2, dem flow reg, case & tubing	435.00
72-0290-12			
72-0290-17	81-GX03CO-LV	Cal kit, GX-2003/GX-2012, 34L cyl CO/CH4/O2 in N2, dispensing valve, gas bag, case & tubing	210.00
72-0290-09 72-0290-16 72-0290-22	81-GX03HSCO	Cal kit, GX-2003/GX-2012, 58AL cyl H2S (25 ppm)/CO/CH4/O2, dem flow reg, case & tubing	495.00
	81-GX03HSCO-DLV	Cal kit, GX-2003/GX-2012, 34AL cyl H2S (25 ppm)/CO/CH4/O2, dem flow reg, case & tubing	500.00
	81-GX03HSCO-LV	Cal kit, GX-2003/GX-2012, 34AL cyl H2S (25 ppm)/CO/CH4/O2, reg with gauge & knob, gas bag, case & tubing	415.00
72-0290-11 72-0290-18 72-0290-19 72-0290-23	81-GX12VCO-DLV	Cal kit, GX-2012, 34L cyl CO/CH4/O2, 34L 50% vol CH4, dem flow reg, case & tubing	490.00
72-0290-24 72-0290-27	81-GX03VHSCO	Cal kit, GX-2003/GX-2012, 58AL cyl H2S (25 ppm)/CO/CH4/O2, 58L 100% vol. CH4, dem flow reg, case & tubing	645.00
	81-GX03VHSCO-LV	Cal kit, GX-2003/GX-2012, 34AL cyl H2S (25 ppm)/CO/CH4/O2, 58L cyl 100% vol. CH4, reg with gauge & knob, disp valve, gas bag, case & tubing	565.00
	81-GX03VHSCODLV	Cal kit, GX-2003/GX-2012, 34AL cyl H2S (25 ppm)/CO/CH4/O2, 58L cyl 100% vol. CH4, 1 dem flow reg, case & tubing	650.00

# Premier Portable Instruments

## Gas Tracer Five Sensor Sample Draw Leak Checker & Confined Space Monitor

Combustibles (CH4 Standard)	% Volume CH4	PPM CH4	O2	CO
Catalytic combustion	Thermal Conductivity	MOS/Catalytic	Galvanic	Electrochemical
0 ~ 100% LEL	0 ~ 100% Vol.	0 ~ 5,000 ppm	0 ~ 40% Vol.	0 ~ 500 ppm



### Part Number Structure

**Gas Configuration**                      **Battery Option**  
**72-0291-**                      **XX**                      -                      **Y**

### Step 1 - Choose Base Model

<b>Part#</b>	<b>Description</b>	<b>Suggested Retail</b>
72-0291-51-__	Gas Tracer, 1 sensor, 0 - 10,000 ppm CH4 base, choose battery option .....	1,045.00
72-0291-54-__	Gas Tracer, 2 sensor, PPM CH4 / LEL base, choose battery option .....	1,095.00
72-0291-55-__	Gas Tracer, 2 sensor, PPM CH4 / O2 base, choose battery option.....	1,095.00
72-0291-56-__	Gas Tracer, 2 sensor, PPM CH4 / CO base, choose battery option .....	1,095.00
72-0291-56H-__	Gas Tracer, 2 sensor, PPM CH4 / CO (with H2S response, no charcoal filter) base, choose battery option .....	1,095.00
72-0291-59-__	Gas Tracer, 3 sensor, PPM CH4 / LEL / O2 base, choose battery option .....	1,145.00
72-0291-60-__	Gas Tracer, 3 sensor, PPM CH4 / LEL / CO base, choose battery option .....	1,145.00
72-0291-60H-__	Gas Tracer, 3 sensor, PPM CH4 / LEL / CO (with H2S response, no charcoal filter) base, choose battery option .....	1,145.00
72-0291-61-__	Gas Tracer, 3 sensor, PPM CH4 / LEL / % volume CH4 base, choose battery option .....	1,195.00
72-0291-64-__	Gas Tracer, 4 sensor, PPM CH4 / LEL / O2 / CO base, choose battery option .....	1,195.00
72-0291-64H-__	Gas Tracer, 4 sensor, PPM CH4 / LEL / O2 / CO (with H2S response, no charcoal filter) base, choose battery option .....	1,195.00
72-0291-65-__	Gas Tracer, 4 sensor, PPM CH4 / LEL / % volume CH4 / O2 base, choose battery option .....	1,245.00
72-0291-66-__	Gas Tracer, 4 sensor, PPM CH4 / LEL / % volume CH4 / CO base, choose battery option .....	1,245.00
72-0291-66H-__	Gas Tracer, 4 sensor, PPM CH4 / LEL / % volume CH4 / CO (with H2S response, no charcoal filter) base, choose battery option .....	1,245.00
72-0291-69-__	Gas Tracer, 5 sensor, PPM CH4 / LEL / % volume CH4 / O2 / CO base, choose battery option .....	1,295.00
72-0291-69H-__	Gas Tracer, 5 sensor, PPM CH4 / LEL / % volume CH4 / O2 / CO (with H2S response, no charcoal filter) base, choose battery option .....	1,295.00

### Step 2 - Choose Battery Option

**Add Battery Option** letter below to the end of the Base Model part # and add price to the Base Model price.

A	Alkaline battery pack only .....	0.00
B	Alkaline and Li-Ion battery pack with 100-240 VAC Charger .....	260.00
C	Li-Ion battery pack only with 100-240 VAC charger (Alkaline battery pack not included) .....	200.00
D	Li-Ion battery pack only with 12 VDC charger (Alkaline battery pack not included) .....	200.00
E	Alkaline and Li-Ion battery pack with 12 VDC Charger .....	260.00
F	Li-Ion battery pack only with 100-240 VAC / 12 VDC Charger (Alkaline battery pack not included) .....	220.00
G	Alkaline and Li-Ion battery pack with 100-240 VAC / 12 VDC charger .....	280.00
H	Li-Ion battery pack only with no charger .....	150.00

#### Example:

<b>Part#</b>	<b>Description</b>	<b>Suggested Retail</b>
72-0291-65-C	Gas Tracer, 4 sensors, PPM CH4 / LEL / % volume CH4 / O2 with 100-240 VAC charger and Li-ion battery pack (alkaline pack not included) .....	1,445.00

#### Instrument Price Includes

10' hose, probe, and Quick Reference Card. The battery and charger (if applicable) option selected above is also included.

# Premier Portable Instruments

## Gas Tracer Five Sensor Sample Draw Leak Checker & Confined Space Monitor with CSA

Combustibles (CH4 Standard)	% Volume CH4	PPM CH4	O2	CO
Catalytic combustion	Thermal Conductivity	MOS/Catalytic	Galvanic	Electrochemical
0 ~ 100% LEL	0 ~ 100% Vol.	0 ~ 5,000 ppm	0 ~ 40% Vol.	0 ~ 500 ppm



### Part Number Structure

**72-0293-**      **XX**      -      **Y**

Gas Configuration      Battery Option

### Step 1 - Choose Base Model

<u>Part#</u>	<u>Description</u>	<u>Suggested Retail</u>
72-0293-51-__	Gas Tracer, 1 sensor, 0 - 10,000 ppm CH4 base, choose battery option .....	1,045.00
72-0293-54-__	Gas Tracer, 2 sensor, PPM CH4 / LEL base, choose battery option .....	1,095.00
72-0293-55-__	Gas Tracer, 2 sensor, PPM CH4 / O2 base, choose battery option.....	1,095.00
72-0293-56-__	Gas Tracer, 2 sensor, PPM CH4 / CO base, choose battery option .....	1,095.00
72-0293-56H-__	Gas Tracer, 2 sensor, PPM CH4 / CO (with H2S response, no charcoal filter) base, choose battery option	1,095.00
72-0293-59-__	Gas Tracer, 3 sensor, PPM CH4 / LEL / O2 base, choose battery option .....	1,145.00
72-0293-60-__	Gas Tracer, 3 sensor, PPM CH4 / LEL / CO base, choose battery option .....	1,145.00
72-0293-60H-__	Gas Tracer, 3 sensor, PPM CH4 / LEL / CO (with H2S response, no charcoal filter) base, choose battery option .....	1,145.00
72-0293-61-__	Gas Tracer, 3 sensor, PPM CH4 / LEL / % volume CH4 base, choose battery option .....	1,195.00
72-0293-64-__	Gas Tracer, 4 sensor, PPM CH4 / LEL / O2 / CO base, choose battery option .....	1,195.00
72-0293-64H-__	Gas Tracer, 4 sensor, PPM CH4 / LEL / O2 / CO (with H2S response, no charcoal filter) base, choose battery option .....	1,195.00
72-0293-65-__	Gas Tracer, 4 sensor, PPM CH4 / LEL / % volume CH4 / O2 base, choose battery option .....	1,245.00
72-0293-66-__	Gas Tracer, 4 sensor, PPM CH4 / LEL / % volume CH4 / CO base, choose battery option .....	1,245.00
72-0293-69-__	Gas Tracer, 5 sensor, PPM CH4 / LEL / % volume CH4 / O2 / CO base, choose battery option .....	1,295.00
72-0293-69H-__	Gas Tracer, 5 sensor, PPM CH4 / LEL / % volume CH4 / O2 / CO (with H2S response, no charcoal filter) base, choose battery option .....	1,295.00

### Step 2 - Choose Battery Option

**Add Battery Option** letter below to the end of the Base Model part # and add price to the Base Model price.

A	Alkaline battery pack only .....	0.00
B	Alkaline and Li-Ion battery pack with 100-240 VAC Charger .....	260.00
C	Li-Ion battery pack only with 100-240 VAC charger (Alkaline battery pack not included) .....	200.00
D	Li-Ion battery pack only with 12 VDC charger (Alkaline battery pack not included) .....	200.00
E	Alkaline and Li-Ion battery pack with 12 VDC Charger .....	260.00
F	Li-Ion battery pack only with 100-240 VAC / 12 VDC Charger (Alkaline battery pack not included) .....	220.00
G	Alkaline and Li-Ion battery pack with 100-240 VAC / 12 VDC charger .....	280.00
H	Li-Ion battery pack only with no charger .....	150.00

#### Example:

<u>Part#</u>	<u>Description</u>	<u>Suggested Retail</u>
72-0293-65-C	Gas Tracer, 4 sensors, PPM CH4 / LEL / % volume CH4 / O2 with 100-240 VAC charger and Li-ion battery pack (alkaline pack not included) .....	1,445.00

#### Instrument Price Includes

10' hose, probe, and Quick Reference Card. The battery and charger (if applicable) option selected above is also included.

# Premier Portable Instruments

## Replacement Sensors

<b>Part#</b>	<b>Description</b>	<b>Suggested Retail</b>
ES-1821	Sensor, Carbon Monoxide (CO) 0-500 ppm for GX-2009/GX-2012/GX-6000/CO-03/GasWatch 2/Gas Tracer	140.00
ES-18271	Sensor, Hydrogen Sulfide (H2S) 0-100 ppm for GX-2009/GX-2012/GX-6000/HS-03/GasWatch 2 .....	140.00
NC-6264A	Sensor, Methane (CH4) 0-100% LEL for GX-2009/GX-2012/GX-6000/GP-03/Gas Tracer .....	120.00
NC-6264AZX	Sensor, Methane (CH4) 0-100% LEL, silicone resistant, for GX-2009/GX-2012/GX-6000/GX-2001/GX-2003/ Gas Tracer/GP-01 .....	130.00
OS-BM2	Sensor, Galvanic, Oxygen (O2) 0-25% Vol. for GX-2009/GX-2012/GasTracer/GX-6000/OX-03/GasWatch 3	120.00
SH-8641	Sensor, ppm Methane (CH4) for Gas Tracer .....	150.00
TE-7561	Sensor, TC, % volume, GX-2003/GX-2012/Gas Tracer .....	160.00

## Gas Tracer Calibration Kits

<b>Instrument #</b>	<b>Cal-Kit Part #</b>	<b>Cal-Kit Description</b>	<b>Price</b>
72-0291-51	81-GT51-DLV	Cal kit, Gas Tracer, 34L cyl 500 ppm CH4/Air, humidifier tube, dem flow reg, case & tubing	555.00
72-0291-54 72-0291-55 72-0291-56 72-0291-59 72-0291-60 72-0291-64	81-GT64-DLV	Cal kit, Gas Tracer, 34L cyl 500 ppm CH4/Air, 34L CO/CH4/O2, humidifier tube, dem flow reg, case & tubing	610.00
72-0291-61 72-0291-65 72-0291-66 72-0291-69	81-GT69	Cal kit, Gas Tracer, 103L steel cyl 500 ppm CH4/Air, 58L steel 100% vol CH4, 103L steel CO/CH4/O2, humidifier tube, dem flow reg, case & tubing	1,060.00

## Gas Tracer Calibration Station

<b>Part#</b>	<b>Description</b>	<b>Suggested Retail</b>
81-SDM2012-01	Single point calibration station for GX-2012 and Gas Tracer, model SDM-2012 with AC Adaptor, flash drive, USB cable, & tubing ...	1,280.00
81-SDM2012-02	Single point calibration station for GX-2012 and Gas Tracer, model SDM-2012 with AC Adaptor, flash drive, USB cable, tubing, & demand flow regulator .....	1,520.00
81-SDM2012-07	Single point calibration station for Gas Tracer, model SDM-2012 with AC Adaptor, flash drive, USB cable, tubing, humidifier tube, two demand flow regulators, 103L steel cyl CO/CH4/O2, & 103L steel cyl 1,000 ppm CH4/Air .....	2,060.00

### SDM-2012





# Premier Portable Instruments

## Gas Tracer Replacement Parts & Accessories

Part#	Description	Suggested Retail
06-1248RK-03	Calibration kit tubing, polyurethane, 3/16" ID x 5/16" OD, 3 feet .....	4.50
07-2005RK	Gasket, filter/screen retaining, RP-3R/RP-2009/RP-6/GX-2003/GX-2012/Gas Tracer .....	15.00
07-6000RK	O-ring for inlet fitting of RP-3R/RP-2009/RP-6/GX-2003/GX-2012/Gas Tracer .....	1.00
07-6024RK	Battery pack gasket, GX-2012 / Gas Tracer .....	15.00
07-6025RK	Main case gasket, GX-2012 / Gas Tracer .....	6.00
07-6026RK	Sensor gasket, GX-2012 / Gas Tracer .....	6.00
13-0112RK	Wrist strap .....	4.00
13-0118RK	Belt clip, GX-2012 / Gas Tracer .....	24.00
17-1000RK	Inlet fitting (also needs o-ring 07-6000RK) for RP-3R/RP-6 .....	8.80
17-1001RK	Tapered rubber inlet nozzle, 4", RP-3R/RP-2009/RP-6/GX-2003/GX-2012/Gas Tracer .....	8.00
17-4430RK-01	Bypass tee probe w/GX-7 quick disconnect,for GX-2003 / GX-2012/Gas Tracer purge sampling .....	22.00
21-1833RK	Filter holder, clear plastic, RP-3R/RP-2009/GX-2003/GX-2012/Gas Tracer/GX-6000 .....	12.80
21-1890RK	Top cover assembly, GX-2012/Gas Tracer .....	76.00
21-1891RK	Main case assembly, Gas Tracer .....	154.00
21-1892RK	Sensor cap assembly, GX-2012/Gas Tracer .....	76.00
30-0022RK	Pump replacement for GX-2012/Gas Tracer/RP-3R/RP-2009/GX-6000/FP-31/NC-1000, with cable and connector .....	140.00
30-1053RK	Vibration motor, GX-2003/GX-2012/Gas Tracer.....	32.00
33-0159RK	Teflon filter disc, 10 pieces, RP-3R/RP-2009/RP-6/GX-2003/GX-2012/Gas Tracer/GX-6000/NC-1000 .....	24.00
33-1031RK	Cotton balls, filters for probe, bag of 25 .....	4.00
33-1036RK	Filter body, plastic, for 80-0150RK probe .....	6.00
33-1112RK	Wire mesh disk filter, RP-3R/RP-2009/RP-6/GX-2003/GX-2012/Gas Tracer/GX-6000, 10 pack .....	15.00
33-2001RK-01	Humidifier, 6" tube assembly for cal kits with 3/16" tubing on ends .....	120.00
33-7102RK	Filter, charcoal, for CO sensor, pack of 5, GX-2009/GX-2012/Gas Tracer/GX-6000 .....	10.00
33-7114RK	Filter disk, H2S scrubber, strip of 5, for LEL sensor port, GP-01/GX-2001/GX-2009/GX-2012/Gas Tracer/ GX-6000 .....	10.00
47-5084RK-01	Downloading cable, USB / IrDA adapter, Windows XP, Windows 7, Windows 8, and Windows 10 compatible .....	220.00
49-0115RK	115 / 220 VAC Adapter for charger, GX-6000/GX-2009/GX-2012/Gas Tracer/EAGLE 2/GX-8000/SC-8000 ...	20.00
49-1120RK	Size AA alkaline battery .....	1.20
49-1320RK	Battery, Ni-MH, AA .....	4.00
49-1406RK	Battery, lithium, CR 1220, for main PCB for GX-2012, Gas Tracer, GP-1000, & NC-1000, snap in type.....	4.40
49-1615RK	Battery pack, lithium ion, GX-2012 / Gas Tracer, BUL-2012 .....	175.00
49-1616RK	Alkaline Battery pack without batteries with gasket, GX-2012 / Gas Tracer .....	120.00
49-1616RK-01	Alkaline Battery pack cover with gasket, GX-2012 / Gas Tracer .....	30.00
49-2020RK	12 VDC Adapter for charger with vehicle plug (charger base not included), GX-2009/GX-2012/Gas Tracer/ GX-6000 .....	24.00
49-2058RK-04	AC adapter 4 port charger for SDM-2009, SDM-2012, and SDM-03.....	88.00
49-2180RK	Charging station only, for Li-Ion battery pack, no AC adapter for GX-2012/Gas Tracer .....	70.00
49-2180RK-01	Charging station with AC adapter, for Li-Ion battery pack, 110/115/220 VAC, for GX-2012/Gas Tracer .....	85.00
49-2180RK-DC	Charging station only, with velcro strap, for DC Li-Ion battery pack, no DC adapter, for GX-2012/Gas Tracer .....	75.00
49-2181RK	Charging station with 12 VDC vehicle plug adapter for Li-Ion battery pack, for GX-2012/Gas Tracer .....	90.00
49-3105RK	Charger, Ni-MH, charges four AA or AAA size with A/C adapter and DC vehicle plug .....	36.00
49-3106RK	Charger, Ni-MH, charges twelve AA or AAA size with A/C adapter and DC vehicle plug .....	75.00
51-1125RK	LCD display, GX-2012 / Gas Tracer .....	60.00
57-2042RK	Sensor PC board assembly, Gas Tracer .....	88.00
57-2044RK	CPU PC board assembly, Gas Tracer .....	640.00
80-0009RK-10	Hose, 10', polyurethane, GX-2012/Gas Tracer/GX-20003/RP-3R/RP-3R/RP-2009 .....	36.00
80-0009RK-15	Hose, 15', polyurethane, GX-2012/Gas Tracer/GX-20003/RP-3R/RP-2009 .....	38.00
80-0009RK-20	Hose, 20', polyurethane, GX-2012/Gas Tracer/GX-20003/RP-3R/RP-2009 .....	40.00
80-0009RK-25	Hose, 25', polyurethane, GX-2012/Gas Tracer/GX-20003/RP-3R/RP-2009 .....	42.00
80-0009RK-30	Hose, 30', polyurethane, GX-2012/Gas Tracer/GX-20003/RP-3R/RP-2009 .....	46.00
80-0009RK-40	Hose, 40', polyurethane, GX-2012/Gas Tracer/GX-20003/RP-3R/RP-2009 .....	54.00
80-0009RK-50	Hose, 50', polyurethane, GX-2012/Gas Tracer/GX-20003/RP-3R/RP-2009 .....	72.00
80-0009RK-75	Hose, 75', polyurethane, GX-2012/Gas Tracer/GX-20003/RP-3R/RP-2009 .....	86.00
80-0009RK-99	Hose, 100', polyurethane, RKI style, GX-2012/Gas Tracer/GX-20003/RP-3R/RP-2009 .....	98.00
80-0101RK	Hose with floating head, 8 meters (25 feet), with GX-/RX- series .....	100.00
80-0140RK	Extendable probe, 32" (collapsible), fiberglass with filter for GX-2003/GX-2012/Gas Tracer .....	84.00
80-0144RK	Extendable probe, 7' (collapsible to 2'), fiberglass with filter for GX-2003/GX-2012/Gas Tracer .....	88.00

# Premier Portable Instruments

## Replacement Parts & Accessories

<b>Part#</b>	<b>Description</b>	<b>Suggested Retail</b>
80-0150RK	Probe assembly, 10", with cotton ball filter .....	25.00
80-0155RK	Probe assembly, 30", aluminum, with cotton ball filter, for GX-2003/GX-2012/Gas Tracer .....	65.00
80-0157RK	Bar hole probe, 30" fiberglass for GX-2003/GX-2012/Gas Tracer .....	70.00
80-0161RK	Flexible 10" probe tube without instrument adapter, clear plastic .....	40.00
80-0161RK-24	Flexible 24" probe tube without instrument adapter, clear plastic .....	45.00
80-0162RK	Flexible 10" probe tube with female quick-connect (attaches to instrument) .....	75.00
80-0162RK-24	Flexible 24" probe tube with female quick-connect (attaches to instrument) .....	75.00
80-0225RK	Hydrophobic filter, in line, ACRO - 50 with fittings for GX-7/GX-2001/GX-2003/GX-2012/Gas Tracer and RX-415 .....	75.00
80-0404RK	Dilution fitting, 50:50 for GX-2003/-2012/Gas Tracer/RP-2009/RP-6/RP-3R .....	95.00
81-0016RK-05	Cylinder, CH4 100% volume 58L steel .....	150.00
81-0018RK-01	Cylinder, isobutane 50% LEL in air, 34L steel .....	55.00
81-0018RK-03	Cylinder, isobutane 50% LEL in air, 103L steel .....	150.00
81-0026RK-01	Cylinder, isobutane 250 ppm in air, 34L steel .....	55.00
81-0026RK-03	Cylinder, isobutane 250 ppm in air, 103L steel .....	150.00
81-0076RK-01	Cylinder, Zero air, 34L steel .....	55.00
81-0076RK-03	Cylinder, Zero air, 103L steel .....	150.00
81-0085RK-01	Cylinder, CH4 1,000 ppm in air, 34L steel .....	55.00
81-0085RK-03	Cylinder, CH4 1,000 ppm air, 103L steel .....	150.00
81-0090RK-01	Cylinder, CO 50 ppm / CH4 50% LEL / O2 12 % in N2, 34L steel .....	55.00
81-0090RK-03	Cylinder, CO 50 ppm / CH4 50% LEL / O2 12 % in N2, 103L steel .....	150.00
81-1054RK	Regulator, demand flow for 34AL/58AL/103L/116L cylinders .....	280.00
81-1055RK	Regulator, demand flow for 17L/34L steel steel cylinders .....	280.00

# Premier Portable Instruments

## GX-6000 Six Sensor Sample Draw Gas Monitor Price Configurator



Base Instrument	4 Gas Sensors	Smart Sensor 1	Smart Sensor 2	Battery	
<b>72 - 6</b>	<b>A</b>	<b>B</b>	<b>X</b>	<b>C</b>	
	<b>Step 1</b>	<b>Step 2</b>	<b>Step 3</b>	<b>Step 4</b>	
	4 Gas Sensors	Smart Sensor 1	Smart Sensor 2	Battery	
	\$1,695	\$1,350	\$0.00	\$250	\$3,295

Above Example: 72-6ABX-C GX-6000 for LEL / O2 / H2S / CO / VOC's (0 - 6,000 ppm PID) with Li-Ion battery pack and 115 VAC charger ..... \$3,295.00

### Step 1

#### Standard 4 gas sensors

X	No 4 gas sensors	1,495.00
A	LEL / O2 / H2S / CO	1,695.00
B	LEL / O2 / CO	1,645.00
C	LEL / O2 / H2S	1,645.00
D	O2 / H2S	1,595.00
E	O2 / CO	1,595.00
F	LEL / CO	1,595.00
G	LEL / H2S	1,595.00
H	LEL / O2	1,595.00
I	CO	1,545.00
J	H2S	1,545.00
K	O2	1,545.00
L	LEL	1,545.00
M	O2 / H2S / CO	1,645.00
N	LEL / H2S / CO	1,645.00
O	H2S / CO	1,595.00

#### Priority for Smart Sensor 1 Position

High Priority	Low range 10.6 eV PID
	10.0 eV/benzene PID
	11.7 eV PID
Low Priority	High range 10.6 eV PID
	ESS-03 Cl2
	ESS-03 NH3
	IR and other ESS-03 sensors

### Step 2 & Step 3

#### Smart Sensor Slots 1 and 2

X	No Sensor	0.00
A	PID, 10.6 eV Lamp, Low range, 50 ppm (PID-001)	1,750.00
B	PID, 10.6 eV Lamp, High range, 6,000 ppm (PID-002)	1,350.00
V	PID, 10.0 eV Lamp, 100 ppm, (PID-003L)	2,150.00
Y	PID, 11.7 eV Lamp, 1000 ppm (PID-004)	2,200.00
Z	PID, 10.0 eV Lamp, 100 ppm, Benzene specific 50 ppm (PID-003L), with tube holder & box of 10 tubes	2,300.00
All PID options above include a cleaning kit (except 11.7 eV)		
C	IR, CH4, 100% LEL / 100% vol, (DES-3311-3)	400.00
D	IR, HC, 100% LEL / 30% vol, (DES-3311-2)	400.00
E	IR, CO2, 10,000 ppm, (DES-3311-4-01)	450.00
F	IR, CO2, 10% vol (DES-3311-1-01)	450.00
I	SO2, 100 ppm (ESS-03DH-SO2)	260.00
K	NO2, 20 ppm (ESS-03DH-NO2)	260.00
L	HCN, 15 ppm (ESS-03DH-HCN)	260.00
M	NH3, 400 ppm (ESS-B332-NH3)	260.00
P	Cl2, 10 ppm (ESS-B335-CL2)	260.00
Q	PH3, 20 ppm (ESS-03DH-PH3)	260.00

### Step 4

#### Battery options

A	Alkaline battery pack only	0.00
B	Alkaline and Li-Ion battery pack with 100-240 VAC Charger	410.00
C	Li-Ion battery pack with 100-240 VAC Charger	250.00
D	Li-Ion battery pack only with 12 VDC charger (Alkaline battery pack not included)	250.00
E	Alkaline and Li-Ion battery pack with 12 VDC Charger	410.00
F	Li-Ion battery pack only with 100-240 VAC / 12 VDC combo charger (Alkaline battery pack not included)	270.00
G	Alkaline and Li-Ion battery pack with 100-240 VAC / 12 VDC combo charger	430.00
H	Li-Ion battery pack only with no charger	125.00

# Premier Portable Instruments

## GX-6000 Instrument Price Includes

Part#	Description
20-0326	Rubber protective boot for GX-6000, black
49-1619	Battery pack, Li-Ion, BUL-6000 for GX-6000
49-1620	Battery pack, alkaline, BUD-6000 for GX-6000
80-0006-03P	Hose, 3' for GX-6000, Teflon lined with probe attached

## GX-6000 Common Configurations

Part#	Description	Suggested Retail
72-6AAX-C	GX-6000 for LEL / O2 / H2S / CO / VOC's (0 - 50,000 ppb PID) with Li-Ion battery pack and 115 VAC charger .....	3,695.00
72-6ABX-A	GX-6000 for LEL / O2 / H2S / CO / VOC's (0 - 6,000 ppm PID) with alkaline battery pack .....	3,045.00
72-6AZX-C	GX-6000 for LEL / O2 / H2S / CO / VOC's (0 - 100 ppm /-50 ppm Benzene PID) with Li-Ion battery pack and 115 VAC charger .....	4,245.00
72-6XAX-C	GX-6000 for VOC's (0 - 50,000 ppb PID) with Li-Ion battery pack and 115 VAC charger .....	3,495.00
72-6XBX-C	GX-6000 for VOC's (0 - 6,000 ppm PID, 10.6 eV lamp) with Li-Ion battery pack and 115 VAC charger ...	3,095.00
72-6XZX-C	GX-6000 for Benzene specific (0 - 50 ppm PID) with tube holder, box of 10 tubes, Li-Ion battery pack, and charger.....	4,045.00
72-6XZB-C	GX-6000 for Benzene specific (0 - 50 ppm PID, 10.0 eV lamp) with tube holder, box of 10 tubes, VOC's (0 - 6,000 ppm PID, 10.6 eV lamp) (Li-Ion battery pack, and charger.....	5,395.00
72-6AXX-C	GX-6000 for LEL / O2 / H2S / CO with Li-Ion battery pack and 115 VAC charger .....	1,945.00
72-6ABL-C	GX-6000 for LEL / O2 / H2S / CO / VOC's (0 - 6,000 ppm PID) / HCN with Li-Ion battery pack and 115 VAC charger .....	3,555.00
72-6ABK-C	GX-6000 for LEL / O2 / H2S / CO / VOC's (0 - 6,000 ppm PID) / NO2 with Li-Ion battery pack and 115 VAC charger .....	3,555.00
72-6ABI-C	GX-6000 for LEL / O2 / H2S / CO / VOC's (0 - 6,000 ppm PID) / SO2 with Li-Ion battery pack and 115 VAC charger .....	3,555.00

## GX-6000 Bundles

Part#	Description	Suggested Retail
72-6ABX-C-50	GX-6000 for LEL / O2 / H2S / CO / VOC's (0 - 6,000 ppm PID) with Li-Ion battery pack, 115 VAC charger, and padded carrying case	3,405.00
72-6ABX-C-51	GX-6000 for LEL / O2 / H2S / CO / VOC's (0 - 6,000 ppm PID) with Li-Ion battery pack, 115 VAC charger, 34AL cylinder isobutylene/CH4/O2/CO/H2S, demand flow regulator, tubing, and padded carrying case .....	3,970.00
72-6ABX-C-53	GX-6000 for LEL / O2 / H2S / CO / VOC's (0 - 6,000 ppm PID) with Li-Ion battery pack, 115 VAC charger, tubing, and padded carrying case for instrument and cylinders .....	3,460.00
72-6AXX-C-50	GX-6000 for LEL / O2 / H2S / CO with Li-Ion battery pack, 115 VAC charger, and padded carrying case	2,055.00
72-6AXX-C-51	GX-6000 for LEL / O2 / H2S / CO with Li-Ion battery pack, 115 VAC charger, 34AL cylinder CH4/O2/CO/H2S, demand flow regulator, tubing, and padded carrying case .....	2,550.00
72-6XBX-C-50	GX-6000 for VOC's (0 - 6,000 ppm PID, 10.6 eV lamp) with Li-Ion battery pack, 115 VAC charger, and padded carrying case .....	3,205.00
72-6XBX-C-51	GX-6000 for VOC's (0 - 6,000 ppm PID, 10.6 eV) with Li-Ion battery pack, 115 VAC charger, 34AL cylinder 100 ppm isobutylene/air, demand flow regulator, tubing, and padded carrying case ...	3,690.00



72-6ABX-C-51

# Premier Portable Instruments

## Special Attention Combinations

Listed below are some gas combinations that can be installed into one GX-6000 but that have limitations of operations that must be discussed and understood by the customer prior to purchase. Some have special filters installed for improved specificity.

A.	SO <sub>2</sub> / NO <sub>2</sub> *	9 ppm NO <sub>2</sub> reads -10.4 SO <sub>2</sub> 6 ppm SO <sub>2</sub> reads -3.8 ppm NO <sub>2</sub>
B.	Cl <sub>2</sub> / SO <sub>2</sub>	6 ppm SO <sub>2</sub> reads 3 ppm Cl <sub>2</sub>
C.	NH <sub>3</sub> / NO <sub>2</sub>	9 ppm NO <sub>2</sub> reads -5.7 ppm NH <sub>3</sub>

\* This combination is only practical if only one gas is present at a time due to cross interference.

## Impractical Combinations

Some combinations of gases are not practical in the same GX-6000 due to interference issues. If you do not see the combination you want in the price list, please consult the factory. Please see below for BAD combinations (not practical) or combinations which require special attention.

A.	HCN / SO <sub>2</sub>	6 ppm SO <sub>2</sub> reads 11.4 ppm HCN
B.	HCN / NO <sub>2</sub>	9 ppm NO <sub>2</sub> reads -20.8 HCN
C.	H <sub>2</sub> S / Cl <sub>2</sub>	H <sub>2</sub> S suppresses Cl <sub>2</sub> reading

## GX-6000 Replacement Sensors

Part#	Description	Suggested Retail
NC-6264A	Sensor, Methane (CH <sub>4</sub> ) 0-100% LEL for GX-2009/ GX-2012/GX-6000/GP-03/Gas Tracer .....	120.00
OS-BM2	Sensor, Galvanic, Oxygen (O <sub>2</sub> ) 0-25% Vol. for GX-2009/ GX-2012/GasTracer/GX-6000/OX-03/GasWatch 3 .....	120.00
ES-1827i	Sensor, Hydrogen Sulfide (H <sub>2</sub> S) 0-100 ppm for GX-2009/ GX-2012/GX-6000/HS-03/GasWatch 2 .....	140.00
ES-1821	Sensor, Carbon Monoxide (CO) 0-500 ppm for GX-2009/ GX-2012/GX-6000/CO-03/GasWatch 2/Gas Tracer .....	140.00
PID-001L	Sensor, PID, 10.6 eV lamp, VOC 0-50 ppm for GX-6000 .....	1,700.00
PID-002L	Sensor, PID, 10.6 eV lamp, VOC 0-6,000 ppm for GX-6000 .....	1,300.00
PID-003L	Sensor, PID, 10.0 eV lamp, VOC 0-100 ppm, Benzene specific 0.01-50 ppm for GX-6000 .....	2,100.00
PID-004	Sensor, PID, 11.7 eV lamp, VOC 0-1000 ppm, for GX-6000 .....	2,000.00
DES-3311-3	Sensor, IR, Methane (CH <sub>4</sub> ) 0 - 100% LEL / 0 - 100% volume auto range for GX-6000 .....	400.00
DES-3311-2	Sensor, IR, Hydrocarbons (HC) 0 - 100% LEL / 0 - 30% volume auto range for GX-6000 .....	400.00
DES-3311-4	Sensor, IR, Carbon Dioxide (CO <sub>2</sub> ) 0 - 10,000 ppm for GX-6000 .....	400.00
DES-3311-4-01	Sensor, IR, Carbon Dioxide (CO <sub>2</sub> ) 0 - 10,000 ppm with scrubber for GX-6000 .....	450.00
DES-3311-1	Sensor, IR, Carbon Dioxide (CO <sub>2</sub> ) 0 - 10% for GX-6000 .....	400.00
DES-3311-1-01	Sensor, IR, Carbon Dioxide (CO <sub>2</sub> ) 0 - 10% with scrubber for GX-6000 .....	450.00
ESS-B332-NH3	Sensor, Ammonia (NH <sub>3</sub> ), 0-400 ppm for GX-6000 .....	260.00
ESS-03DH-HCN	Sensor, Hydrogen Cyanide (HCN) 0 - 15 ppm for GX-6000 .....	260.00
ESS-B335-CL2	Sensor, Chlorine (Cl <sub>2</sub> ), 0-10 ppm for GX-6000 .....	260.00
ESS-03DH-NO2	Sensor, Nitrogen Dioxide (NO <sub>2</sub> ), 0 - 20 ppm for GX-6000 .....	260.00
ESS-03DH-SO2	Sensor, Sulfur Dioxide (SO <sub>2</sub> ) 0 - 100 ppm for GX-6000 .....	260.00
ESS-03DH-PH3	Sensor, Phosphine (PH <sub>3</sub> ) 0 - 20 ppm for GX-6000 .....	260.00



# Premier Portable Instruments

## GX-6000 Calibration Kits

Instrument #	Cal-Kit Part #	Cal-Kit Description	Price
72-6AAX	81-6AAX-DLV	Cal Kit, GX-6000, 34AL cyl 10 ppm isobutylene in air, 34AL cyl H2S/CO/CH4/O2, dem flow reg, case & tubing	690.00
72-6ABI	81-6ABI-DLV	Cal Kit, GX-6000, 34AL cyl 100 ppm Isobutylene/H2S/CO/CH4 LEL/O2, 34AL cyl 5 ppm SO2 in N2, dem flow reg, case, tubing	750.00
72-6ABK	81-6ABK-DLV	Cal Kit, GX-6000, 34AL cyl 100 ppm Isobutylene/H2S/CO/CH4/O2, 34AL cyl 10 ppm NO2 in N2, dem flow reg, case, tubing	870.00
72-6ABL	81-6ABL-DLV	Cal Kit, GX-6000, 34AL cyl 100 ppm Isobutylene/H2S/CO/CH4/O2, 34AL cyl 10 ppm HCN in N2, dem flow reg, case, tubing	760.00
72-6ABX	81-6ABX-DLV	Cal Kit, GX-6000, 34AL cyl 100 ppm Isobutylene/H2S/CO/CH4/O2, dem flow reg, case, tubing	610.00
72-6AXX	81-6AXX	Cal kit, GX-6000, 58AL cyl CH4/O2/H2S/CO, dem flow reg, case and tubing	535.00
	81-6AXX-DLV	Cal kit, GX-6000, 34AL cyl CH4/O2/H2S/CO, dem flow reg, case and tubing	540.00
72-6XAX	81-6XAX-DLV	Cal Kit, GX-6000, 34AL cyl 10 ppm isobutylene in air, dem flow reg, case & tubing	530.00
72-6XBX	81-6XBX-DLV	Cal Kit, GX-6000, 34AL cyl 100 ppm isobutylene in air, dem flow reg, case & tubing	530.00
72-6XZX	81-6XZX	Cal Kit, GX-6000, 103L steel cyl 5 ppm benzene in air, dem flow reg, case & tubing	495.00
	81-6XZX-DLV	Cal Kit, GX-6000, 34AL cyl 5 ppm benzene in air, dem flow reg, case & tubing	510.00

## GX-6000 PID Replacement Lamps and Electrode Stacks

PID Sensor	eV	Replacement Lamp	Electrode Stack
PID-001L	10.6	51-1503	33-0560-01
PID-002L	10.6		33-0562
PID-003L	10.0		33-0563
PID-004	11.7	51-1504	33-0560-01
PID-001*	10.6	51-1503	
PID-002*	10.6		

\* (Discontinued Sensor)

Part#	Description	Suggested Retail
33-0560-01	Electrode Stack for 10.6 (50 ppm sensor) & 11.7 eV lamps used in EAGLE 2, GX-6000, or VOC Pro (1 electrode) .....	100.00
33-0562	Electrode Stack for 10.6 eV lamp, 0-2,000/6,000 ppm for EAGLE 2, GX-6000, or VOC Pro, (1 electrode) .....	64.00
33-0563	Electrode Stack for 10.0 eV lamp, 0-100 ppm (50 ppm benzene) for GX-6000 or VOC Pro (1 electrode) .....	130.00
51-1503	Replacement lamp only, 0-50/-2000/-6000/ HPPM long life type for any 10.6 eV or 10.0 eV PID. ....	220.00
51-1504	Replacement lamp, 0-1000 ppm for PID-004, 11.7 eV lamp in GX-6000 or VOC Pro .....	550.00



# Premier Portable Instruments

## GX-6000 Replacement Parts & Accessories

Part#	Description	Suggested Retail
07-6035	O-ring, rubber exhaust sealing for GX-6000	1.20
07-6036	Gasket for top cover, black rubber for GX-6000	9.60
07-6038	Gasket for cover, black rubber for GX-6000	12.00
07-6039	Rubber joint for pressure sensor, black for GX-6000	16.00
07-6040	Gasket for sensor chamber (sensor cover), black rubber for GX-6000	12.00
07-6041	Sensor gasket, fluorine rubber, for GX-6000	34.00
07-6043	Gasket for pump, black rubber for GX-6000	16.00
10-1089RK	Screw, M2 x 4.5 mm, 304 SS, phillips, self tapping	2.00
10-1093RK	Screw M2 x 6	0.75
13-0112RK	Wrist strap	4.00
13-0123	Belt clip with installation screws for GX-6000	35.00
13-0601-01	Straps and washer assembly for GX-6000 charger	14.00
13-6022-01	Din rail & end clamps kit to wall mount for one GX-6000 charger	10.00
13-6025-01	Din rail & end clamps kit to wall mount for up to four GX-6000 charger	14.00
17-1031	Tapered nozzle, rubber, red, for GX-6000 inlet	9.00
20-0110-02	Case for GX-6000 plus hose & probe, charger, AC adapter, and manual	110.00
20-0112-04	Case for GX-6000 plus hose & probe, charger, AC adapter, one cylinder cal kit, and manual	165.00
20-0114-03	Case for GX-6000 plus hose & probe, charger, AC adapter, two cylinder cal kit, and manual	240.00
20-0326	Rubber protective boot for GX-6000, black	36.00
20-0329	Rubber protective boot for GX-6000, red	40.00
21-1833RK	Filter holder, clear plastic, RP-3R/RP-2009/GX-2003/GX-1212/Gas Tracer/GX-6000	12.80
21-1926	LCD protection film for instrument display for GX-6000, GP-1000, & NC-1000	5.40
21-1926-01	LCD protection film for instrument display, pack of 5 for GX-6000, GP-1000, & NC-1000	30.00
21-1931	Sensor flow chamber (sensor cover) assembly for GX-6000	65.00
21-1933	Body case assembly for GX-6000	1,300.00
29-6100	Water immersion sensing seal, adhesive backed for 03 series, GX-6000, and SP-220	10.00
30-0022RK	Pump replacement for GX-1212/Gas Tracer/RP-3R/RP-2009/GX-6000/FP-31/NC-1000, with cable and connector	140.00
30-1054RK	Vibration motor for the GX-2009 and GX-6000	32.00
31-0023RK-02	Flowmeter, 0.2 - 2.0 SCFH, with valve and hose barb fitting for GX-1212 / GX-6000 flow measurement	140.00
33-0159RK	Teflon filter disk, 10 pieces, RP-3R/RP-2009/RP-6/GX-2003/GX-1212/Gas Tracer/GX-6000/NC-1000	24.00
33-0176	Teflon sensor membrane disk for HCN and SO2 sensor filters for GX-6000 sensor face, adhesive backed	2.50
33-1112RK	Wire mesh disk filter, RP-3R/RP-2009/RP-6/GX-2003/GX-1212/Gas Tracer/GX-6000, 10 pack	15.00
33-2125-01	Dehumidifier filter with tubing for 11.7 eV PID sensor, GX-6000	100.00
33-3013	Filter element, particle, polypropylene/polyethylene for GX-6000 probe, (not for Cl2)	2.00
33-3013-10	Filter element, particle, polypropylene/polyethylene for GX-6000 probe, (not for Cl2) pack of 10	20.00
33-6015RK	CO2 scrubber, CF-283 for GX-3R Pro/GX-6000/RX-515/RI-85	56.00
33-6092	Charcoal filter with tubing stubs and plugs, CF-8501, for GX-6000/EAGLE 2, CO2 & PID combinations	42.00
33-7102RK	Filter, charcoal, for CO sensor, pack of 5, GX-2009/GX-1212/Gas Tracer/GX-6000	10.00
33-7114RK	Filter disk, H2S scrubber, strip of 5, for LEL sensor port, GP-01/GX-2001/GX-2009/GX-1212/Gas Tracer/ GX-6000/GP-03	10.00
33-7125	Filter set, 5 charcoal and H2S filters, 10 hydrophobic and metal screen filters for GX-6000	48.00
33-7126	H2S scrubber disk for ESS-03DH-HCN (Also needs #33-0176 to install)	2.00
33-7128	Benzene pre-filter tube, GX-6000, box of 10 tubes	116.00
33-7128-05	Benzene pre-filter tubes, GX-6000, 5 boxes with 10 tubes per box	550.00
45-2430RK	Plug adapter for charger, US to Euro, non-grounded	3.60
47-4001	Cable with connectors, main PCB to sensor PCB, for GX-6000	14.60
47-5084RK-01	Downloading cable, USB / IrDA adapter, Windows XP, Windows 7, Windows 8, and Windows 10 compatible	220.00
49-0115RK	115 / 220 VAC Adapter for charger, GX-6000/GX-2009/GX-1212/Gas Tracer/EAGLE 2/GX-8000/SC-8000	20.00
49-1050RK	Battery, memory backup, silver oxide, SR 616, 1.55 volts, GX-2009 and GX-6000, snaps in	10.00
49-1120RK	Size AA alkaline battery	1.20
49-1619	Battery pack, Li-Ion, BUL-6000 for GX-6000	250.00
49-1620	Battery pack, alkaline, BUD-6000 for GX-6000	160.00
49-1620-03	Continuous operation adapter for GX-6000, 8 VDC to 28 VDC input	224.00
49-2020RK	12 VDC Adapter for charger with vehicle plug (charger base not included), GX-2009/GX-1212/Gas Tracer/ GX-6000	24.00
49-2182	Battery charger module only, BC-6000, for GX-6000 Li-Ion battery pack	150.00
49-2182-01	Battery charger with 100 - 240 VAC adapter, BC-6000 for GX-6000 Li-Ion battery pack	160.00

# Premier Portable Instruments

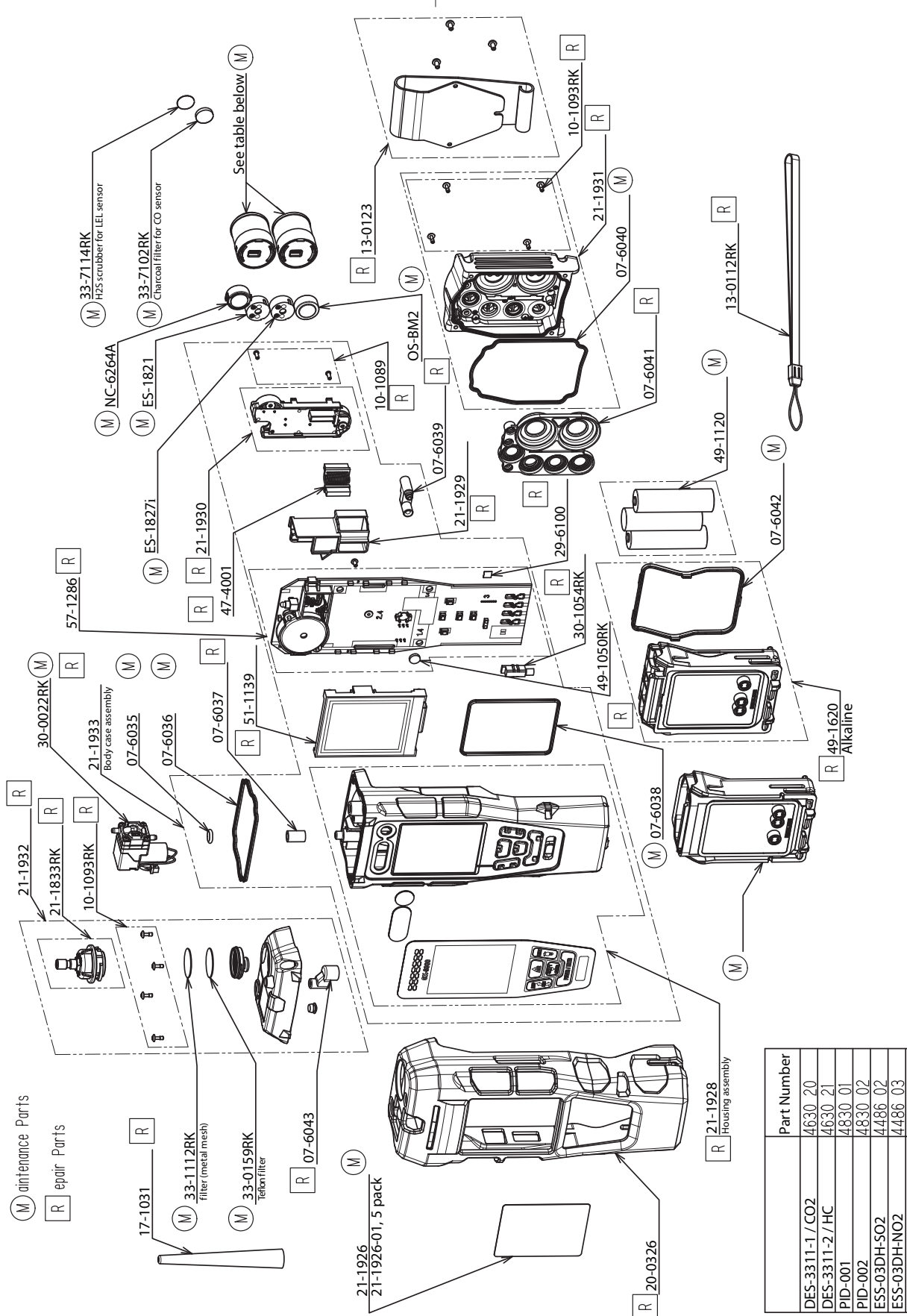
## GX-6000 Replacement Parts & Accessories

Part#	Description	Suggested Retail
49-2183	Battery charger, 12 VDC with vehicle plug and instrument strap, BC-6000 for GX-6000 Li-Ion battery pack	190.00
51-1139	LCD module, BTD-128160B-FBWB-G-G, for GX-6000	60.00
57-1286	Main PCB assembly for GX-6000	750.00
65-7001RK	Dummy sensor for GX-2009, GX-2012, or GX-6000 empty sensor slots (LEL, O2, H2S, & CO)	5.00
65-7003	Dummy sensor for GX-6000 empty smart sensors slots	5.00
75-0039	Benzene specific upgrade kit with PID-003L sensor, Benzene pre-filter tube holder, and Benzene pre-filter tubes (box of 10 tubes)	2,300.00
75-0040	11.7 eV PID sensor upgrade kit with PID-004 sensor, dehumidifier tube, and charcoal filter	2,200.00
80-0006-03P	Hose, 3' for GX-6000, Teflon lined with probe attached	65.00
80-0006-05P	Hose, 5' for GX-6000, Teflon lined with probe attached	75.00
80-0006-10P	Hose, 10' for GX-6000, Teflon lined with probe attached	100.00
80-0006-15P	Hose, 15' for GX-6000, Teflon lined with probe attached	125.00
80-0006-20P	Hose, 20' for GX-6000, Teflon lined with probe attached	150.00
80-0006-25P	Hose, 25' for GX-6000, Teflon lined with probe attached	170.00
80-0006-30P	Hose, 30' for GX-6000, Teflon lined with probe attached	195.00
80-0006-35P	Hose, 35' for GX-6000, Teflon lined with probe attached	220.00
80-0006-40P	Hose, 40' for GX-6000, Teflon lined with probe attached	245.00
80-0162RK	Flexible 10" probe tube with female quick-connect (attaches to instrument)	75.00
80-0162RK-24	Flexible 24" probe tube with female quick-connect (attaches to instrument)	75.00
80-0172	Probe with hydrophobic filter, dust filter, no scrubber section, for GX-6000 (not for Cl2 use)/GX-8000/RX-8000	35.00
80-0172-01	Probe with hydrophobic filter, no dust filter or scrubber section, for GX-6000 (Cl2 use)	33.00
80-0174	Benzene pre-filter tube holder, GX-6000	140.00
80-0404RK	Dilution fitting, 50:50 for GX-2003/-2012/Gas Tracer/RP-2009/RP-6/RP-3R	95.00
81-0071RK-01	Cylinder, CO2 5000 ppm in N2, 34L steel	55.00
81-0071RK-03	Cylinder, CO2 5000 ppm in N2, 103L steel	150.00
81-0072RK-01	Cylinder, CO2 2.5% in N2, 34L steel	55.00
81-0072RK-03	Cylinder, CO2 2.5% in N2, 103L steel	150.00
81-0100RK-02	Cylinder, Benzene 5 ppm in air, 58AL	150.00
81-0100RK-04	Cylinder, Benzene 5 ppm in air, 34AL	130.00
81-0103RK-04	Cylinder, isobutylene 100 ppm in air, 34AL (aluminum cylinder)	150.00
81-0104RK-04	Cylinder, isobutylene 10 ppm in air, 34AL (aluminum cylinder)	150.00
81-0143RK-02	Cylinder, isobutylene 100 ppm / H2S 25 ppm / CO 50 ppm / CH4 50% LEL / O2 12% in N2, 58AL	340.00
81-0143RK-04	Cylinder, isobutylene 100 ppm / H2S 25 ppm / CO 50 ppm / CH4 50% LEL / O2 12% in N2, 34AL	230.00
81-0154RK-02	Cylinder, H2S 25 ppm / CO 50 ppm / CH4 50% LEL / O2 12% in N2, 58AL	190.00
81-0154RK-04	Cylinder, H2S 25 ppm / CO 50 ppm / CH4 50% LEL / O2 12% in N2, 34AL	160.00
81-0154RK-116	Cylinder, H2S 25 ppm / CO 50 ppm / CH4 50% LEL / O2 12% in N2, 116AL	320.00
81-0158RK-04	Cylinder, H2S 25 ppm / CO 50 ppm / isobutane 50% LEL / O2 12% in N2, 34AL	160.00
81-0170RK-04	Cylinder, SO2 5 ppm in N2, 34AL	140.00
81-0176RK-02	Cylinder, NH3 25 ppm in N2, 58AL	300.00
81-0176RK-04	Cylinder, NH3 25 ppm in N2, 34AL	280.00
81-0182RK-04	Cylinder, NO2 5 ppm in air, 34AL	260.00
81-0185RK-02	Cylinder, PH3 0.5 ppm in N2, 58AL	300.00
81-0185RK-04	Cylinder, PH3 0.5 ppm in N2, 34AL	260.00
81-0190RK-04	Cylinder, Cl2 5 ppm in N2, 34AL	220.00
81-0196RK-04	Cylinder, HCN 10 ppm in N2, 34AL	220.00
81-1054RK	Regulator, demand flow for 34AL/58AL/103L/116L cylinders	280.00
82-0300RK	PID lamp cleaning kit with removal tool for 10.0 & 10.6 eV lamps only	52.00



# Premier Portable Instruments

## GX-6000 Spare Parts Diagram



# Premier Portable Instruments

## SDM-6000 Calibration Station

**ORDERING INFORMATION:** When ordering an SDM-2012 calibration station, please specify the following components:

- 1) Select the docking station part number based on your calibration needs (calibration gas cylinder, regulator, or unit only).
- 2) Select any other calibration gas cylinder you may need.



**SDM-6000**

<u>Part#</u>	<u>Description</u>	<u>Suggested Retail</u>
81-SDM6000	SDM-6000 calibration station for GX-6000 with particle filter, connection brackets, & 10' exhaust tube (no AC adapter) .....	1,995.00
81-SDM6000-01	SDM-6000 calibration station for GX-6000, includes particle filter, connection brackets, SD card, USB SD card reader, ethernet cable, USB cable for PC, 10' exhaust tubing, and single unit AC adapter .....	2,095.00
81-SDM6000-02	SDM-6000 calibration station for GX-6000, includes particle filter, connection brackets, 10' exhaust tubing, USB cable for PC, SD card, USB SD card reader, ethernet cable, and multi-unit AC adapter .....	2,170.00
81-SDM6000-03	SDM-6000 calibration station for GX-6000, includes particle filter, connection brackets, 10' exhaust tubing, USB cable for PC, SD card, USB SD card reader, ethernet cable, single unit AC adapter, demand flow regulator, and cal gas tubing .....	2,410.00
81-SDM6000-04	SDM-6000 calibration station for GX-6000, includes particle filter, connection brackets, 10' exhaust tubing, USB cable for PC, SD card, USB SD card reader, ethernet cable, single unit AC adapter, demand flow regulator, cal gas tubing, 58AL cyl H2S/CO/CH4/O2, and cylinder holder .....	2,620.00
81-SDM6000-05	SDM-6000 calibration station for GX-6000, includes particle filter, connection brackets, 10' exhaust tubing, USB cable for PC, SD card, USB SD card reader, ethernet cable, single unit AC adapter, demand flow regulator, cal gas tubing, 58AL cyl isobutylene/H2S/CO/CH4/O2, and cylinder holder ...	2,770.00
81-SDM6000-06	Calibration station for SDM-6000, includes particle filter, connection brackets, 10' exhaust tubing, USB cable for PC, SD card, USB SD card reader, ethernet cable, single unit AC adapter, demand flow regulator, cal gas tubing, 34AL cyl isobutylene/air, and cylinder holder .....	2,580.00
81-SDM6000-07	SDM-6000 calibration station for GX-6000, includes particle filter, connection brackets, 10' exhaust tubing, USB cable for PC, SD card, USB SD card reader, ethernet cable, single unit AC adapter, demand flow regulator, cal gas tubing, 34AL cyl H2S/CO/CH4/O2, and cylinder holder .....	2,590.00
81-SDM6000-08	SDM-6000 calibration station for GX-6000, includes particle filter, connection brackets, 10' exhaust tubing, USB cable for PC, SD card, USB SD card reader, ethernet cable, single unit AC adapter, 2 demand flow regulators, cal gas tubing, 34AL cyl H2S/CO/CH4/O2, 34AL HCN/N2, and 2 cylinder holders .....	3,110.00

## SDM-6000 Replacement Parts & Accessories

<u>Part#</u>	<u>Description</u>	<u>Suggested Retail</u>
14-0401	Wall mounting bracket for SDM-6000, 1 set (3 pieces) .....	76.00
14-0402	Connection brackets, set of 2, with screws, for connecting the SV-3 solenoid to SDM-6000 .....	54.00
14-0403	Connection brackets, set of 3, with screws, for connecting the SDM-6000 units together .....	76.00
17-4710	Sample port plug, barbed for SDM-6000 inlet ports .....	5.60
21-1935	Panel cover for side fittings of SDM-6000 .....	7.45
33-0167RK	Filter, particulate, CF-8369 .....	25.00
33-6015RK	CO2 scrubber, CF-283 for GX-3R Pro/GX-6000/RX-515/RI-85 .....	56.00
47-1013RK	Power cord, AC adapter line cord only .....	16.00
47-1017	Printer power cord for SDM-6000 printer .....	10.00
47-5073RK	USB cable, Type A to Type B, 6 feet .....	4.50
47-5085RK	USB A to USB mini B cable, 6 feet .....	8.00
47-5088	Ethernet network cable, Cat 6, 5 ft, black .....	9.00
49-0128	Multi-station AC adapter with cord, powers 2 to 10 SDM-6000 units .....	136.00
49-0128-01	Multi-station AC adapter without cord, powers 2 to 10 SDM-6000 units .....	120.00
49-0129	Printer AC adapter only, for SDM-6000 printer .....	140.00
49-0135	AC adapter for SDM-6000, switching, 90-264 VAC in 24V 0.63 A out with 5.5 x 2.1 mm jack, RKI single type	40.00
49-1621	Printer battery pack for SDM-6000 printer .....	190.00
71-0385	Operator's Manual, SDM-6000 Standalone Configuration .....	0.00
71-0386	Operator's Manual, SDM-6000 PC Controlled Configuration .....	0.00
81-1054RK	Regulator, demand flow for 34AL/58AL/103L/116L cylinders .....	280.00

# Premier Portable Instruments

## SDM-6000 Replacement Parts & Accessories

Part#	Description	Suggested Retail
81-SV3	SV-3 solenoid valve unit, with connection brackets, for 6 cylinder expansion to the SDM-6000	1,080.00
82-6107	USB SD card reader with 2 GB SD card	30.00
82-6400	Portable printer for SDM-6000, 58 mm paper width, includes USB/serial/IR adapter, battery pack, USB cable, AC power adapter and cable	960.00
82-6400-01	Thermal printer paper roll, 58 mm width for SDM-6000	31.00

## SDM-6000 Calibration Gas and Hardware

Part#	Description	Suggested Retail
06-1248RK-03	Calibration kit tubing, polyurethane, 3/16" ID x 5/16" OD, 3 feet	4.50
06-1283RK	Tubing, teflon/polyurethane, 1/4" OD x 1/8" ID, 3', for toxic gas cal kits	16.00
81-0012RK-01	Cylinder, CH4 50% LEL in air, 34L steel	55.00
81-0012RK-03	Cylinder, CH4 50% LEL/air, 103L steel	150.00
81-0013RK-01	Cylinder, CH4 50% volume in N2, 34L steel	55.00
81-0013RK-05	Cylinder, CH4 50% volume in N2, 58L steel	160.00
81-0018RK-01	Cylinder, isobutane 50% LEL in air, 34L steel	55.00
81-0018RK-03	Cylinder, isobutane 50% LEL in air, 103L steel	150.00
81-0071RK-01	Cylinder, CO2 5000 ppm in N2, 34L steel	55.00
81-0071RK-03	Cylinder, CO2 5000 ppm in N2, 103L steel	150.00
81-0072RK-01	Cylinder, CO2 2.5% in N2, 34L steel	55.00
81-0072RK-03	Cylinder, CO2 2.5% in N2, 103L steel	150.00
81-0076RK-01	Cylinder, Zero air, 34L steel	55.00
81-0076RK-03	Cylinder, Zero air, 103L steel	150.00
81-0090RK-01	Cylinder, CO 50 ppm / CH4 50% LEL / O2 12 % in N2, 34L steel	55.00
81-0090RK-03	Cylinder, CO 50 ppm / CH4 50% LEL / O2 12 % in N2, 103L steel	150.00
81-0100RK-04	Cylinder, Benzene 5 ppm in air, 34AL	130.00
81-0103RK-01	Cylinder, isobutylene 100 ppm in air, 34L steel (steel cylinder)	55.00
81-0103RK-03	Cylinder, isobutylene 100 ppm in air, 103L steel	150.00
81-0103RK-04	Cylinder, isobutylene 100 ppm in air, 34AL (aluminum cylinder)	150.00
81-0104RK-01	Cylinder, isobutylene 10 ppm in air, 34L steel	55.00
81-0104RK-03	Cylinder, isobutylene 10 ppm in air, 103L steel	150.00
81-0104RK-04	Cylinder, isobutylene 10 ppm in air, 34AL (aluminum cylinder)	150.00
81-0142RK-02	Cylinder, SO2 5 ppm / H2S 25 ppm / CO 50 ppm / CH4 50% LEL / O2 12% in N2, 58AL	280.00
81-0142RK-04	Cylinder, SO2 5 ppm / H2S 25 ppm / CO 50 ppm / CH4 50% LEL / O2 12% in N2, 34AL	200.00
81-0143RK-02	Cylinder, isobutylene 100 ppm / H2S 25 ppm / CO 50 ppm / CH4 50% LEL / O2 12% in N2, 58AL	340.00
81-0143RK-04	Cylinder, isobutylene 100 ppm / H2S 25 ppm / CO 50 ppm / CH4 50% LEL / O2 12% in N2, 34AL	230.00
81-0154RK-02	Cylinder, H2S 25 ppm / CO 50 ppm / CH4 50% LEL / O2 12% in N2, 58AL	190.00
81-0154RK-04	Cylinder, H2S 25 ppm / CO 50 ppm / CH4 50% LEL / O2 12% in N2, 34AL	160.00
81-0154RK-116	Cylinder, H2S 25 ppm / CO 50 ppm / CH4 50% LEL / O2 12% in N2, 116AL	320.00
81-0158RK-02	Cylinder, H2S 25 ppm / CO 50 ppm / isobutane 50% LEL / O2 12% in N2, 58AL	250.00
81-0158RK-04	Cylinder, H2S 25 ppm / CO 50 ppm / isobutane 50% LEL / O2 12% in N2, 34AL	160.00
81-0170RK-02	Cylinder, SO2 5 ppm in N2, 58AL	160.00
81-0170RK-04	Cylinder, SO2 5 ppm in N2, 34AL	140.00
81-0176RK-02	Cylinder, NH3 25 ppm in N2, 58AL	300.00
81-0176RK-04	Cylinder, NH3 25 ppm in N2, 34AL	280.00
81-0182RK-02	Cylinder, NO2 5 ppm in air, 58AL	300.00
81-0182RK-04	Cylinder, NO2 5 ppm in air, 34AL	260.00
81-0186RK-02	Cylinder, PH3 5 ppm in N2, 58AL	280.00
81-0190RK-02	Cylinder, Cl2 5 ppm in N2, 58AL	340.00
81-0190RK-04	Cylinder, Cl2 5 ppm in N2, 34AL	220.00
81-0196RK-02	Cylinder, HCN 10 ppm in N2, 58AL	260.00
81-0196RK-04	Cylinder, HCN 10 ppm in N2, 34AL	220.00
81-1055RK	Regulator, demand flow for 17L/34L steel steel cylinders	280.00
81-1500RK	Cylinder holder for 58 liter aluminum cylinders	18.00
81-1501RK	Cylinder holder for 103 liter steel cylinders and 116 liter aluminum cylinders	18.00
81-1502RK	Cylinder holder for 17/34 liter steel cylinders, and for 34 liter aluminum cylinders	18.00

# EAGLE 2 Portable Series

## EAGLE 2 One to Six Gas Portable

The EAGLE 2 can be ordered with up to 6 gas sensors. Please specify the gas combination when ordering. Ask factory for combinations not listed. All versions listed below are supplied with alkaline batteries, and include a hose, probe, shoulder strap, and instruction manual. All versions also include an internal hydrophobic filter as standard. For NiMH batteries, charger, or other accessories, please review the notes below for these optional accessories.

### Each Instrument Price Includes the Following Items:

Part#	Description
80-0131RK-10	Probe, 10", hydrophobic, standard, with particle filter and metal fittings, EAGLE / EAGLE 2
80-0131RK-20	Probe, 10", hydrophobic, standard, without particle filter, with metal fittings, for EAGLE 2 with PID
80-0505RK	Hose, 5' polyurethane with fittings (standard gas versions only), EAGLE / EAGLE 2
80-0605RK	Hose, 5' teflon lined, with fittings (PID versions only), EAGLE / EAGLE 2
13-0100RK	Shoulder Strap with RKI logo, EAGLE / EAGLE 2
33-0173RK	Filter, internal, hydrophobic, EAGLE 2
49-1130RK	Battery, C size, alkaline battery



### Rechargeable Batteries

The standard EAGLE 2 comes with alkaline batteries. To order with rechargeable NiMH batteries instead, order the batteries and charger as a separate line item along with your EAGLE 2 order. Please see the ACCESSORIES page for the various charger options available.

For example, use part # 49-2175RK-01 at \$170.00 list price to add NiMH batteries and an AC charger when ordering.

### Data logging

Standard in all EAGLE 2 units, and the data log software is a free download from RKI's web site. A standard IrDA / USB adaptor cable is also required to download data (47-5084RK-01).

### Methane Elimination

All EAGLE 2 units have capability of methane elimination if calibrated to hexane. Access to the methane elimination mode is done using the Display Mode. Please specify when ordering if methane elimination will be used. The instrument will be shipped calibrated to hexane.



See a complete list of **Calibration Stations on page 70**



See a complete list of **Calibration Equipment on page 70**



See a complete list of **Replacement Sensors on page 69**

# EAGLE 2 Portable Series

## Calibration Notes

### LEL Calibration Note

Standard factory calibration of LEL / PPM ranges is to Methane (calibration to hexane, isobutane, or other gases is optional). If planning to use the methane elimination function, calibration must be to hexane.

**Please specify calibration when placing orders, if calibration to something besides methane is desired.**

### PID Calibration Note

Standard factory calibration of PID sensors is to Isobutylene.

### Special Notes For Super Toxic EAGLE 2 Units

Some SUPER TOXIC gas versions have longer lead times than others. Please confirm availability of the SUPER TOXIC versions, or any versions, if delivery time is critical.

### TC and CO2 Ranges

All EAGLE 2 units configured with a Thermal Conductive or Carbon Dioxide sensor will have a part number suffix, -XX, which indicates one of the available ranges:

TC and CO2 Ranges

#### TC Ranges

Gas	Range	Part # Suffix
H2	0 - 10 % vol	-10
H2	0 - 100 % vol	-20
CH4	0 - 100% vol	-30

#### CO2 Ranges

Gas	Range	Part # Suffix
CO2	0 - 10,000 ppm	-02
CO2	0 - 5.0 % vol	-03
CO2	0 - 60.0 % vol	-05

Please specify the desired suffix or range when ordering. Pricing is the same for all ranges.

## Impractical Combinations

Some combinations of gases are not practical in the same EAGLE 2 due to interference issues. If you do not see the combination you want in the price list, please consult the factory. Please see below for BAD combinations (not practical) or combinations which require special attention.

Impractical Combinations

A.	H2S / PH3 or H2S / AsH3
B.	H2 / CO
C.	H2S / Cl2
D.	30% volume HC / CO
E.	PID / % vol HC IR

## Special Attention Combinations

Listed below are some gas combinations that can be installed into one EAGLE 2, but that have limitations of operations that must be discussed and understood by the customer prior to purchase. Some have special filters installed for improved specificity.

Special Attention Combinations

A.	H2S / SO2
B.	H2S / NH3
C.	AsH3 / HCN
D.	AsH3 / CO
E.	SO2 / NH3
F.	HCN / H2S

# EAGLE 2 Portable Series

## Single Gas Models

Part#	Description	Suggested Retail
721-001	EAGLE 2 for LEL & PPM .....	1,945.00
721-001-H2	EAGLE 2 for LEL & PPM (Hydrogen (H2) specific) .....	2,045.00
721-001-IR	EAGLE 2 for LEL Methane only, with IR sensor .....	2,595.00
721-001-T	EAGLE 2 for LEL / PPM, with teflon hose, for heavy hydrocarbons (specify calibration) .....	2,045.00
721-001-TT	EAGLE 2 for LEL / PPM, Tank Tester version, float probe included .....	2,445.00
721-002	EAGLE 2 for O2 (0 - 40% volume) .....	1,945.00
721-002-M	EAGLE 2 for O2 (0 - 40% volume), marine version, with internal oil mist filter .....	1,975.00
721-003	EAGLE 2 for Hydrogen Sulfide (H2S), 0 - 100 ppm .....	1,945.00
721-005	EAGLE 2 for Sulfur Dioxide (SO2), 0 - 6.0 ppm .....	2,195.00
721-006	EAGLE 2 for Chlorine (Cl2), 0 - 3 ppm.....	2,195.00
721-007	EAGLE 2 for Arsine (AsH3), 0 - 1.5 ppm .....	2,195.00
721-008	EAGLE 2 for Phosphine (PH3), 0 - 1.0 ppm.....	2,195.00
721-011	EAGLE 2 for Ammonia (NH3), 0 - 75 ppm .....	2,195.00
721-015-02	EAGLE 2 for Carbon Dioxide CO2, (0 - 10,000 ppm) .....	2,595.00
721-015-03	EAGLE 2 for Carbon Dioxide CO2, (5% volume) .....	2,595.00
721-015-05	EAGLE 2 for Carbon Dioxide CO2, (60% volume) .....	2,595.00
721-020	EAGLE 2 for Methane (CH4) (100% LEL / 100% volume (IR), autoranging) .....	2,595.00
721-021	EAGLE 2 for Hydrocarbons (HC) 100% LEL / 30% volume (IR), autoranging .....	2,595.00
721-023	EAGLE 2 for Hydrogen Cyanide (HCN), 0 - 15 ppm .....	2,195.00
721-101-P1	EAGLE 2 for VOC's 0 - 50 ppm, (PID) .....	3,445.00
721-101-P2	EAGLE 2 for VOC's 0 - 2,000 ppm, (PID) .....	3,145.00
721-102-10	EAGLE 2 for Hydrogen H2 10% volume, (TC) .....	2,245.00
721-102-20	EAGLE 2 for Hydrogen H2 100% volume, (TC) .....	2,245.00
721-102-30	EAGLE 2 for Methane, 0 - 100% volume, (TC) .....	2,245.00

## Calibration Kits

Instrument #	Cal-Kit Part #	Cal-Kit Description	Price
721-001	81-5101RK	Cal kit, EAGLE/EAGLE 2, 103L steel cyl 50% LEL Methane/Air, dem flow reg, case & tubing	495.00
	81-5101RK-DLV	Cal kit, EAGLE/EAGLE 2, 34L cyl 50% LEL Methane/Air, dem flow reg, case & tubing	435.00
	81-5101RK-LV	Cal kit, EAGLE, 34L cyl 50% LEL Methane/Air, disp valve, sample bag, case & tubing	210.00
721-002	81-5102RK-DLV	Cal kit, EAGLE/EAGLE 2, 34L cyl 100% Nitrogen, dem flow reg, case & tubing	435.00
	81-5102RK-LV	Cal kit, EAGLE, 34L cyl 100% N2, disp valve, gas bag, case & tubing	210.00
721-101-P1	811-101-P1	Cal kit, EAGLE 2, 103L cyl 10 ppm isobutylene in air, dem flow reg, case & tubing	495.00
	811-101-P1-DLV	Cal kit, EAGLE 2, 34L cyl 10 ppm isobutylene in air, dem flow reg, case & tubing	530.00
721-101-P2	811-101-P2	Cal kit, EAGLE 2, 103L cyl 100 ppm isobutylene in air, dem flow reg, case & tubing	495.00
	811-101-P2-DLV	Cal kit, EAGLE 2, 34L cyl 100 ppm isobutylene in air, dem flow reg, case & tubing	435.00
			Call

# EAGLE 2 Portable Series

## Two Gas Models

<b>Part#</b>	<b>Description</b>	<b>Suggested Retail</b>
722-001	EAGLE 2 for LEL & PPM / O2 .....	2,095.00
722-001-H2	EAGLE 2 for LEL & PPM (Hydrogen (H2) specific) / O2 .....	2,195.00
722-001-IR	EAGLE 2 for LEL CH4 (IR) / O2 .....	2,795.00
722-001-T	EAGLE 2 for LEL & PPM / O2 with teflon hose for heavy hydrocarbons (Specify calibration) .....	2,195.00
722-001-TR1	EAGLE 2 for H2 (0 - 5%) / O2, for transformer gas testing, with sample bag & dilution fitting .....	2,195.00
722-001-TT	EAGLE 2 for LEL & PPM / O2, tank testing version, includes float probe assembly and dilution fitting ...	2,545.00
722-002	EAGLE 2 for LEL & PPM / CO .....	2,095.00
722-003	EAGLE 2 for LEL & PPM / H2S .....	2,095.00
722-004	EAGLE 2 for O2 / CO .....	2,095.00
722-005	EAGLE 2 for O2 / H2S .....	2,095.00
722-010	EAGLE 2 for LEL & PPM / NH3 .....	2,395.00
722-011	EAGLE 2 for Cl2 / NH3 .....	2,645.00
722-022-02	EAGLE 2 for O2 / CO2 10,000 ppm (IR) .....	2,795.00
722-022-03	EAGLE 2 for O2 / CO2 5% volume (IR) .....	2,795.00
722-022-05	EAGLE 2 for O2 / CO2 60% volume (IR) .....	2,795.00
722-023-02	EAGLE 2 for NH3 / CO2 10,000 ppm (IR) .....	3,045.00
722-029	EAGLE 2 for Cl2 / SO2 .....	2,645.00
722-035	EAGLE 2 for H2S / CO .....	2,095.00
722-036	EAGLE 2 for HCN / NH3 .....	2,645.00
722-037	EAGLE 2 for H2S / SO2 .....	2,645.00
722-038	EAGLE 2 for LEL & PPM (catalytic) / CH4 (100% LEL / 100% volume (IR) autoranging) .....	2,795.00
722-038-H2	EAGLE 2 for LEL & PPM Hydrogen (H2 specific) (catalytic) / CH4 (100% LEL / 100% volume (IR) autoranging) .....	2,895.00
722-043-02	EAGLE 2 for LEL & PPM / CO2 10,000 ppm (IR) .....	2,795.00
722-043-03	EAGLE 2 for LEL & PPM / CO2 5% volume (IR) .....	2,795.00
722-043-05	EAGLE 2 for LEL & PPM / CO2 60% volume (IR) .....	2,795.00
722-045	EAGLE 2 for CH4 (100% LEL / 100% volume (IR autoranging) / O2 .....	2,795.00
722-045-05	EAGLE 2 for CH4 100% volume (IR) / O2 .....	2,795.00
722-049	EAGLE 2 for H2S / NH3 .....	2,395.00
722-059	EAGLE 2 for O2 / NH3 .....	2,395.00
722-062	EAGLE 2 for LEL & PPM / AsH3 .....	2,395.00
722-065-02	EAGLE 2 for H2S / CO2 10,000 ppm (IR) .....	2,795.00
722-065-03	EAGLE 2 for H2S / CO2 5% volume (IR) .....	2,795.00
722-065-05	EAGLE 2 for H2S / CO2 60% volume (IR) .....	2,795.00
722-068	EAGLE 2 for Hydrocarbons HC (100% LEL / 30% volume (IR) autoranging) / O2 .....	2,795.00
722-072	EAGLE 2 for SO2 / NH3 .....	2,645.00
722-073	EAGLE 2 for CH4 (100% LEL / 100 % volume (IR) autoranging) / H2S (0 - 100 ppm) .....	2,795.00
722-090-05	EAGLE 2 for CH4 (100% LEL / 100% volume (IR) auto-ranging) / CO2 60% volume (IR) .....	3,445.00
722-101-P1	EAGLE 2 for LEL & PPM / VOC's 0 - 50 ppm (PID) .....	3,645.00
722-101-P2	EAGLE 2 for LEL & PPM / VOC's 0 - 2,000 ppm (PID) .....	3,345.00
722-101-P2-H2	EAGLE 2 for LEL & PPM Hydrogen (H2 specific) (catalytic) / VOC's (0 - 2,000 ppm, PID) .....	3,445.00
722-102-10	EAGLE 2 for LEL & PPM (catalytic) / Hydrogen H2 0 - 10% volume (TC) .....	2,445.00
722-102-20	EAGLE 2 for LEL & PPM (catalytic) / Hydrogen H2 0 - 100% volume (TC) .....	2,445.00
722-102-20-H2	EAGLE 2 for LEL & PPM (catalytic Hydrogen specific) / Hydrogen H20 - 100% volume (TC) .....	2,545.00
722-102-30	EAGLE 2 for LEL & PPM (catalytic) / Methane CH4 0 - 100% volume (TC) .....	2,445.00
722-103-10	EAGLE 2 for LEL Hydrogen (H2), 0 - 10% volume, (TC) / O2 .....	2,445.00
722-103-20	EAGLE 2 for LEL Hydrogen (H2), 0 - 100% volume, (TC) / O2 .....	2,445.00
722-103-20-100	EAGLE 2 for LEL Hydrogen (H2), 0 - 100% volume, (TC) / O2, 0 - 100% volume .....	2,545.00
722-103-30	EAGLE 2 for Methane CH4 100% volume (TC) / O2 .....	2,445.00
722-104-IBU	EAGLE 2 for LEL Isobutane (catalytic) / Hydrocarbons HC (100% LEL / 30% volume (IR) autoranging) ...	2,795.00
722-105-P2	EAGLE 2 for VOC's 0 - 2,000 ppm (PID) / SO2 .....	3,595.00
722-107-02-P2	EAGLE 2 for CO2 60% volume (IR) / VOC's 0 - 2,000 ppm (PID) .....	3,995.00
722-108-20	EAGLE 2 for Methane (100% LEL / 100% volume (IR), autoranging) / Hydrogen (H2), 0 - 100% volume, (TC) .....	3,095.00
722-109-P2	EAGLE 2 for H2S / VOC's 0 - 2,000 ppm (PID) .....	3,345.00
722-112-H2	EAGLE 2 for LEL & PPM (Hydrogen (H2) specific) / CH4 100% LEL (IR) .....	2,895.00
722-113-P2	EAGLE 2 for VOC's 0 - 2,000 ppm (PID) / PH3 .....	3,595.00
722-114-10-20	EAGLE 2 for Hydrogen H2 10% volume (TC) / Hydrogen H2 0 - 100% volume (TC) .....	2,745.00
722-115-P2	EAGLE 2 for VOC's 0 - 2,000 ppm (PID) / AsH3 .....	3,595.00
722-116	EAGLE 2 for O2 / SO2 .....	2,395.00

# EAGLE 2 Portable Series

## Two Gas Models

<u>Part#</u>	<u>Description</u>	<u>Suggested Retail</u>
722-117-P2	EAGLE 2 for CH4 (100% LEL / 100% volume (IR) auto-ranging) / VOC's (0 - 2,000 ppm PID) .....	3,995.00
722-118	EAGLE 2 for LEL & PPM / SO2 .....	2,395.00

## Two Gas Models Calibration Kits

Instrument #	Cal-Kit Part #	Cal-Kit Description	Price
722-001	81-5201RK	Cal kit, EAGLE, 103L steel cyl CH4/CO/O2, dem flow reg, case & tubing	495.00
	81-5201RK-LV	Cal kit, EAGLE, 34L cyl CH4/CO/O2, disp valve, gas bag, case & tubing	210.00
722-002	81-5202RK	Cal kit, EAGLE, 103 L cyl CH4/CO/O2, dem flow reg, case & tubing	495.00
	81-5202RK-LV	Cal kit, EAGLE, 34L cyl CH4/CO/O2, disp valve, gas bag, case & tubing	210.00
722-003	81-5203RK	Cal kit, EAGLE, 58AL cyl H2S (25 ppm)/CO/CH4/O2, dem flow reg, case & tubing	535.00
	81-5203RK-LV	Cal kit, EAGLE, 34AL cyl H2S (25 ppm)/CO/CH4/O2, reg with gauge & knob, gas bag, case & tubing	415.00
722-101-P1	812-101-P1	Cal kit, EAGLE 2, 103L cyl 50% LEL CH4/Air, 103L cyl 10 ppm isobutylene in air, dem flow reg, case & tubing	640.00
	812-101-P1-DLV	Cal kit, EAGLE 2, 34L cyl 50% LEL CH4/Air, 34L cyl 10 ppm isobutylene/air, dem flow reg, case & tubing	465.00
722-101-P2	812-101-P2-DLV	Cal kit, EAGLE 2, 34L cyl 50% LEL CH4/Air, 34L cyl 10 ppm isobutylene in air, dem flow reg, case & tubing	490.00
	812-101-P25	Cal kit, EAGLE 2, 58AL cyl 100 ppm isobutylene/50% LEL CH4/25 ppm H2S/50 ppm CO/12% O2/N2, dem flow reg, case & tubing	685.00
	812-101-P25-DLV	Cal kit, EAGLE 2, 34AL cyl 100 ppm isobutylene/50% LEL CH4/25 ppm H2S/50 ppm CO/12% O2/N2, dem flow reg, case & tubing	590.00
			Call



# EAGLE 2 Portable Series

## Three Gas Models

Part#	Description	Suggested Retail
723-001	EAGLE 2 for LEL & PPM / O2 / H2S .....	2,245.00
723-001-H2	EAGLE 2 for LEL & PPM H2 (catalytic) / O2 / H2S .....	2,345.00
723-002	EAGLE 2 for LEL & PPM / O2 / CO .....	2,245.00
723-005	EAGLE 2 for LEL & PPM / O2 / PH3 .....	2,545.00
723-007	EAGLE 2 for LEL & PPM / O2 / NH3 .....	2,545.00
723-008	EAGLE 2 for LEL & PPM / O2 / Cl2 .....	2,545.00
723-016-02	EAGLE 2 for LEL & PPM / O2 / CO2 10,000 ppm (IR) .....	2,945.00
723-016-03	EAGLE 2 for LEL & PPM / O2 / CO2 5% volume (IR) .....	2,945.00
723-016-05	EAGLE 2 for LEL & PPM / O2 / CO2 60% volume (IR) .....	2,945.00
723-022	EAGLE 2 for LEL & PPM (catalytic) / O2 / CH4 (100% LEL / 100% volume (IR) autoranging) .....	2,945.00
723-025-05	EAGLE 2 for O2 / CO2 60% volume (IR) / NH3 .....	3,245.00
723-026-02	EAGLE 2 for O2 / CO / CO2 10,000 ppm (IR) .....	2,945.00
723-026-03	EAGLE 2 for O2 / CO / CO2 5% volume (IR) .....	2,945.00
723-026-05	EAGLE 2 for O2 / CO / CO2 60% volume (IR) .....	2,945.00
723-029-02	EAGLE 2 for LEL & PPM / H2S / CO2 10,000 ppm (IR).....	2,945.00
723-030	EAGLE 2 for O2 / H2S / NH3 .....	2,545.00
723-032	EAGLE 2 for CH4 (100% LEL / 100% volume (IR) autoranging) / O2 / CO .....	2,945.00
723-032-1000	EAGLE 2 for CH4 (100% LEL / 100% volume (IR) autoranging) / O2 / CO (1,000 ppm) .....	3,045.00
723-035-05	EAGLE 2 for CH4 (100% LEL / 100% volume (IR) autoranging) / O2 / CO2 (60%) .....	3,645.00
723-037	EAGLE 2 for CH4 (100% LEL / 100% volume (IR) autoranging) / O2 / H2S .....	2,945.00
723-038-03	EAGLE 2 for O2 / CO2 5% volume (IR) / SO2 .....	3,245.00
723-041	EAGLE 2 for LEL & PPM / Cl2 / NH3.....	2,845.00
723-054	EAGLE 2 for Hydrocarbons HC (100% LEL / 30% volume (IR) autoranging) / O2 / H2S (0 - 100 ppm) ...	2,945.00
723-064	EAGLE 2 for CH4 (100% LEL / 100% volume (IR) autoranging) / H2S / NH3 .....	3,245.00
723-066	EAGLE 2 for LEL & PPM (catalytic) / Methane (CH4) 100% volume (IR) / NH3 .....	3,245.00
723-069	EAGLE 2 for LEL & PPM / H2S / NH3 .....	2,545.00
723-071-03	EAGLE 2 for O2 / H2S / CO2 5% volume (IR) .....	2,945.00
723-071-05	EAGLE 2 for O2 / H2S / CO2 60% volume (IR) .....	2,945.00
723-079-05	EAGLE 2 for CH4 (100% LEL / 100% volume (IR) autoranging) / H2S / CO2 60% volume (IR) .....	3,645.00
723-081	EAGLE 2 for CH4 (100% LEL / 100% volume (IR) autoranging) / CO / H2S .....	2,945.00
723-101-P1	EAGLE 2 for LEL & PPM / O2 / VOC's (0 - 50 ppm, PID) .....	3,795.00
723-101-P2	EAGLE 2 for LEL & PPM / O2 / VOC's (0 - 2,000 ppm, PID) .....	3,495.00
723-102	EAGLE 2 for LEL & PPM (catalytic) / Methane (CH4) 100% LEL, 100% volume (IR) autoranging / O2 .....	2,945.00
723-103	EAGLE 2 for LEL & PPM (catalytic) / Hydrocarbons (HC) 100% LEL, 30% volume (IR), autoranging / O2 .....	2,945.00
723-104-10	EAGLE 2 for LEL & PPM (catalytic) / Hydrogen H2 10% volume (TC) / O2 .....	2,595.00
723-104-20	EAGLE 2 for LEL & PPM (catalytic) / Hydrogen H2 0 - 100% volume (TC) / O2 .....	2,595.00
723-104-30	EAGLE 2 for LEL & PPM (catalytic) / Methane CH4 0 - 100% volume (TC) / O2 .....	2,595.00
723-105-02-P2	EAGLE 2 for LEL & PPM (catalytic) / CO2 10,000 ppm volume (IR) / VOC's 0 - 2,000 ppm, (PID) .....	4,195.00
723-106-10	EAGLE 2 for CH4 (100% LEL / 100% volume (IR) autoranging) / Hydrogen (H2) 0 - 10% volume, (TC) / O2.....	3,295.00
723-107	EAGLE 2 for LEL & PPM (catalytic) / CH4 100% LEL (IR) / O2 .....	2,945.00
723-108-P2	EAGLE 2 for H2S / VOC's 0 - 2,000 ppm (PID) / NH3 .....	3,795.00
723-109-10	EAGLE 2 for CH4 (100% LEL / 100% volume (IR) autoranging) / H2 10% volume (TC) / O2 .....	3,295.00
723-109-20	EAGLE 2 for CH4 (100% LEL / 100% volume (IR) autoranging) / H2 100% volume (TC) / O2 .....	3,295.00
723-110-P1	EAGLE 2 for O2 / H2S / VOC's 0 - 50 ppm (PID) .....	3,795.00
723-110-P2	EAGLE 2 for O2 / H2S / VOC's 0 - 2,000 ppm (PID) .....	3,495.00
723-111-P2	EAGLE 2 for CH4 (100% LEL / 100% volume (IR) autoranging) / O2 / VOC's 0 - 2,000 ppm (PID) .....	4,195.00
723-113-03	EAGLE 2 for Cl2 / NH3 / CO2 60% volume (IR) .....	3,495.00
723-114-12	EAGLE 2 for Hydrogen H2 10% volume (TC) / O2 / CO2 10,000 ppm (IR) .....	3,295.00
723-114-23	EAGLE 2 for Hydrogen H2 100% volume (TC) / O2 / CO2 5% volume (IR) .....	3,295.00
723-114-25	EAGLE 2 for Hydrogen H2 100% volume (TC) / O2 / CO2 60% volume (IR) .....	3,295.00
723-115	EAGLE 2 for LEL & PPM / O2 / SO2 .....	2,545.00
723-116-P2	EAGLE 2 for LEL & PPM / H2S / VOC's 0 - 2,000 ppm (PID).....	3,495.00
723-117-20	EAGLE 2 for Hydrogen H2 100% volume (TC) / O2 / H2S .....	2,595.00
723-118-02-P2	EAGLE 2 for CO / CO2 10,000 ppm (IR) / VOC's 0 - 2,000 ppm (PID) .....	4,195.00
723-119-P2	EAGLE 2 for LEL & PPM / VOC's (0 - 2,000 ppm, PID) / NH3 .....	3,795.00
723-120	EAGLE 2 for LEL & PPM / H2S / HCN .....	2,545.00
723-122-05	EAGLE 2 for LEL & PPM (catalytic) / CH4 100% LEL, 100% volume (IR) autoranging / CO2 60% volume (IR).....	3,645.00
723-123	EAGLE 2 for Hydrocarbons HC 100% LEL, 30% volume (IR) autoranging / O2 / HCN .....	3,245.00
723-124-P1	EAGLE 2 for O2 / VOC's 0 - 50 ppm (PID) / NH3 .....	4,095.00

# EAGLE 2 Portable Series

## Three Gas Models

<b>Part#</b>	<b>Description</b>	<b>Suggested Retail</b>
723-126-30-P2	EAGLE 2 for LEL & PPM / Methane CH4 100% volume (TC) / VOC's (0 - 2,000 ppm PID) .....	3,845.00
723-127-P2	EAGLE 2 for LEL & PPM (catalytic) / Methane (CH4) 100% volume (IR) / VOC's (0 - 2,000 ppm PID) .....	4,195.00
723-128-20	EAGLE 2 for LEL & PPM / Hydrogen H2 100% volume (TC) / % Volume CH4 (IR) .....	3,295.00
723-129-10	EAGLE 2 for Hydrocarbons HC (100% LEL / 30% volume (IR) autoranging) / H2 10% volume (TC) / O2	3,295.00

## Three Gas Models Calibration Kits

Instrument #	Cal-Kit Part #	Cal-Kit Description	Price
723-001	81-5301RK	Cal kit, EAGLE, 58AL cyl H2S/CO/CH4/O2, dem flow reg, case & tubing	535.00
	81-5301RK-LV	Cal kit, EAGLE, 34AL cyl H2S/CO/CH4/O2, reg with gauge & knob, gas bag, case & tubing	415.00
723-002	81-5302RK	Cal kit, EAGLE, 103L steel cyl CO/CH4/O2, dem flow reg, case & tubing	495.00
	81-5302RK-LV	Cal kit, EAGLE, 34L cyl CO/CH4/O2, disp valve, gas bag, case & tubing	210.00
723-101-P1	813-101-P1	Cal kit, EAGLE 2, 103L cyl 50 ppm CO/50% LEL CH4/12% O2/N2, 103L cyl 10 ppm isobutylene in air, dem flow reg, case & tubing	670.00
	813-101-P1-DLV	Cal kit, EAGLE 2, 34L cyl 50 ppm CO/50% LEL CH4/12% O2/N2, 34L cyl 10 ppm isobutylene in air, dem flow reg, case & tubing	490.00
723-101-P2	813-101-P2	Cal kit, EAGLE 2, 103L cyl 50 ppm CO/50% LEL CH4/12% O2/N2, 103L cyl 100 ppm isobutylene in air, dem flow reg, case & tubing	645.00
	813-101-P2-DLV	Cal kit, EAGLE 2, 34L cyl 50 ppm CO/50% LEL CH4/12% O2/N2, 34L cyl 100 ppm isobutylene in air, dem flow reg, case & tubing	490.00
			Call

# EAGLE 2 Portable Series

## Four Gas Models

Part#	Description	Suggested Retail
724-001	EAGLE 2 for LEL & PPM / O2 / H2S / CO .....	2,395.00
724-001-H2	EAGLE 2 for LEL & PPM H2 specific (catalytic) / O2 / H2S / CO .....	2,495.00
724-001-IR	EAGLE 2 for LEL CH4 (IR) / O2 / H2S / CO .....	3,095.00
724-001-IR-CAT	EAGLE 2 for CH4 % LEL (IR) / O2 / H2S / CO, inert mode for catalyst applications .....	3,145.00
724-001-T	EAGLE 2 for LEL & PPM / O2 / H2S / CO, Teflon lined hose & internal tubing (specify calibration) .....	2,495.00
724-001-TT	EAGLE 2 for LEL & PPM / O2 / H2S / CO, Tank Tester version (with float probe & dilution fitting) .....	2,845.00
724-002	EAGLE 2 for LEL & PPM / O2 / H2S / SO2 .....	2,695.00
724-003	EAGLE 2 for LEL & PPM / O2 / CO / SO2 .....	2,695.00
724-005	EAGLE 2 for LEL & PPM / O2 / CO / Cl2 .....	2,695.00
724-010	EAGLE 2 for LEL & PPM / O2 / H2S / NH3 .....	2,695.00
724-012	EAGLE 2 for LEL & PPM / O2 / CO / NH3 .....	2,695.00
724-016-02	EAGLE 2 for LEL & PPM / O2 / CO / CO2 10,000 ppm (IR) .....	3,095.00
724-016-03	EAGLE 2 for LEL & PPM / O2 / CO / CO2 5% volume (IR) .....	3,095.00
724-016-05	EAGLE 2 for LEL & PPM / O2 / CO / CO2 60% volume (IR) .....	3,095.00
724-027	EAGLE 2 for LEL & PPM / O2 / CO / PH3 .....	2,695.00
724-028-02	EAGLE 2 for LEL & PPM / H2S / CO2 10,000 ppm (IR) / NH3 .....	3,395.00
724-039-02	EAGLE 2 for LEL & PPM / O2 / H2S / CO2 10,000 ppm (IR) .....	3,095.00
724-039-03	EAGLE 2 for LEL & PPM / O2 / H2S / CO2 5% volume (IR) .....	3,095.00
724-039-05	EAGLE 2 for LEL & PPM / O2 / H2S / CO2 60% volume (IR) .....	3,095.00
724-041	EAGLE 2 for LEL & PPM (catalytic) / O2 / CO / CH4 (100% LEL / 100% volume (IR) autoranging) .....	3,095.00
724-041-1000	EAGLE 2 for LEL & PPM (catalytic) / O2 / CO (1,000 ppm) / CH4 (100% LEL / 100% volume (IR) autoranging) .....	3,195.00
724-042	EAGLE 2 for LEL & PPM (catalytic) / CH4 (100% LEL / 100% volume (IR) autoranging) / O2 / H2S .....	3,095.00
724-048-02	EAGLE 2 for LEL & PPM / O2 / NH3 / CO2 10,000 ppm (IR) .....	3,395.00
724-048-03	EAGLE 2 for LEL & PPM / O2 / NH3 / CO2 5% volume (IR) .....	3,395.00
724-051	EAGLE 2 for CH4 (100% LEL / 100% volume (IR) autoranging) / O2 / CO / H2S .....	3,095.00
724-052	EAGLE 2 for LEL & PPM / O2 / CO / HCN .....	2,695.00
724-053-03	EAGLE 2 for LEL & PPM / O2 / CO2 5% volume (IR) / SO2 .....	3,395.00
724-054	EAGLE 2 for LEL & PPM / H2S / CO / NH3 .....	2,695.00
724-055-03	EAGLE 2 for LEL & PPM / H2S / CO / CO2 5% volume (IR) .....	3,095.00
724-059-02	EAGLE 2 for CH4 (100% LEL / 100% volume (IR) autoranging) / O2 / CO / CO2 10,000 ppm (IR) .....	3,795.00
724-059-03	EAGLE 2 for CH4 (100% LEL / 100% volume (IR) autoranging) / O2 / CO / CO2 5% volume (IR) .....	3,795.00
724-059-05	EAGLE 2 for CH4 (100% LEL / 100% volume (IR) autoranging) / O2 / CO / CO2 60% volume (IR) .....	3,795.00
724-068-03	EAGLE 2 for CH4 (100% LEL / 100% volume (IR) autoranging) / O2 / H2S / CO2 5% volume (IR) .....	3,795.00
724-068-05	EAGLE 2 for CH4 (100% LEL / 100% volume (IR) autoranging) / O2 / H2S / CO2 60% volume (IR) .....	3,795.00
724-074-03	EAGLE 2 for LEL & PPM (catalytic) / CH4 (100% LEL / 100% volume (IR) autoranging) / O2 / CO2 5% volume (IR) .....	3,795.00
724-074-05	EAGLE 2 for LEL & PPM (catalytic) / CH4 (100% LEL / 100% volume (IR) autoranging) / O2 / CO2 60% volume (IR) .....	3,795.00
724-085	EAGLE 2 for LEL & PPM / O2 / CO / AsH3 (0 -1.5 ppm) .....	2,695.00
724-087	EAGLE 2 for Hydrocarbons HC 100% LEL (IR) / O2 / CO / H2S .....	3,095.00
724-101-P1	EAGLE 2 for LEL & PPM / O2 / H2S / VOC's (0 - 50 ppm, PID) .....	3,945.00
724-101-P2	EAGLE 2 for LEL & PPM / O2 / H2S / VOC's (0 - 2,000 ppm, PID) .....	3,645.00
724-102-P1	EAGLE 2 for LEL & PPM / O2 / CO / VOC's (0 - 50 ppm, PID) .....	3,945.00
724-102-P2	EAGLE 2 for LEL & PPM / O2 / CO / VOC's (0 - 2,000 ppm, PID) .....	3,645.00
724-103-22	EAGLE 2 for LEL & PPM H2 specific (catalytic) / Hydrogen H2 100% volume (TC) / O2 / CO2 10,000 ppm (IR) .....	3,445.00
724-103-25	EAGLE 2 for LEL & PPM H2 specific (catalytic) / Hydrogen H2 100% volume (TC) / O2 / CO2 60% volume (IR) .....	3,445.00
724-103-32	EAGLE 2 for LEL & PPM (catalytic) / Methane CH4 100% volume (TC) / O2 / CO2 10,000 ppm (IR) .....	3,445.00
724-103-33	EAGLE 2 for LEL & PPM (catalytic) / Methane CH4 100% volume (TC) / O2 / CO2 5% volume (IR) .....	3,445.00
724-103-35	EAGLE 2 for LEL & PPM (catalytic) / Methane CH4 100% volume (TC) / O2 / CO2 60% volume (IR) .....	3,445.00
724-104-02-P2	EAGLE 2 for LEL & PPM / O2 / CO2 10,000 ppm (IR) / VOC's 0 - 2,000 ppm, (PID) .....	4,345.00
724-104-05-P2	EAGLE 2 for LEL / % volume CH4 (IR) autoranging / O2 / CO2 60% volume (IR) / VOC's 0 - 2,000 ppm, (PID) .....	5,045.00
724-105-P2	EAGLE 2 for O2 / CO / VOC's (0 - 2,000 ppm, PID) / SO2 .....	3,945.00
724-106-35	EAGLE 2 for Methane CH4 100% volume (TC) / O2 / H2S / CO2 60% volume (IR) .....	3,445.00
724-107-30	EAGLE 2 for LEL & PPM (catalytic) / Methane CH4 100% volume (TC) / O2 / H2S .....	2,745.00
724-108-P2	EAGLE 2 for LEL & PPM / O2 / VOC's 0 - 2,000 ppm (PID) / NH3 .....	3,945.00
724-109-P2	EAGLE 2 for Hydrocarbons HC 100% LEL (IR) / O2 / CO / VOC's 0 - 2,000 ppm (PID) .....	4,345.00

# EAGLE 2 Portable Series

## Four Gas Models

Part#	Description	Suggested Retail
724-110-H2	EAGLE 2 for LEL & PPM H2 specific (catalytic) / CH4 (100% LEL / 100% volume (IR) autoranging) / O2 / H2S .....	3,195.00
724-111-02-P1	EAGLE 2 for LEL & PPM / O2 / CO2 10,000 ppm (IR) / VOC's (0 - 50 ppm, PID) .....	4,645.00
724-111-03-P1	EAGLE 2 for LEL & PPM / O2 / CO2 5% volume (IR) / VOC's (0 - 50 ppm, PID) .....	4,645.00
724-111-05-P2	EAGLE 2 for LEL & PPM / O2 / CO2 60% volume (IR) / VOC's 0 - 2,000 ppm (PID).....	4,345.00
724-112-02-P2	EAGLE 2 for LEL & PPM / H2S / CO2 10,000 ppm (IR) / VOC's 0 - 2,000 ppm (PID) .....	4,345.00
724-113-25	EAGLE 2 for CH4 (100% LEL / 100% volume (IR) autoranging) / Hydrogen H2 100% volume (TC) / O2 / CO2 60% volume (IR) .....	4,145.00
724-114-P2	EAGLE 2 for LEL & PPM / VOC's (0 - 2,000 ppm, PID) / Cl2 / NH3 .....	4,245.00
724-115	EAGLE 2 for O2 / H2S / CO / SO2 .....	2,695.00
724-116-P2	EAGLE 2 for LEL & PPM (catalytic) / CH4 (100% LEL / 100% volume (IR) autoranging) / O2 / VOC's (0 - 2,000 ppm PID) .....	4,345.00
724-128-P2	EAGLE 2 for LEL & PPM / O2 / VOC's 0 - 2,000 ppm (PID) / PH3.....	3,945.00
724-129-P2-H2	EAGLE 2 for CAT H2 specific / O2 / VOC (PID 0 - 2,000 ppm) / HCN .....	4,045.00
724-130-10-P2	EAGLE 2 for LEL & PPM (catalytic) / Hydrogen H2 100% volume (TC) / O2 / VOC's (0 - 2,000 ppm, PID)	3,995.00
724-130-20-P2	EAGLE 2 for LEL & PPM H2 specific (catalytic) / Hydrogen H2 100% volume (TC) / O2 / VOC's (0 - 2,000 ppm, PID) .....	3,995.00
724-131-P2	EAGLE 2 for Hydrocarbons HC 100% LEL, 30% volume (IR), autoranging / O2 / H2S / VOC's (0 - 2,000 ppm, PID) .....	4,345.00
724-132-05-P2	EAGLE 2 for CH4 100% volume (IR) / O2 / CO2 60% vol (IR) / VOC's 0 - 2,000 ppm (PID).....	5,045.00
724-133-P1	EAGLE 2 for H2S / VOC's (0 - 50 ppm, PID) / SO2 / NH3 .....	4,545.00
724-133-P2	EAGLE 2 for H2S / VOC's (0 - 2,000 ppm, PID) / SO2 / NH3 .....	4,245.00
724-135-03-P2	EAGLE 2 for O2 / CO2 5% volume (IR) / VOC's (0 - 2,000 ppm, PID) / SO2 .....	4,645.00
724-136-H2	EAGLE 2 for LEL & PPM H2 specific (catalytic) / CH4 (100% LEL / 100% volume (IR) autoranging) / O2 / NH3 .....	3,495.00
724-137-02-H2	EAGLE 2 for LEL & PPM H2 specific (catalytic) / CH4 (100% LEL / 100% volume (IR) autoranging) / CO2 10,000 ppm (IR) / NH3 .....	4,195.00
724-138-05-H2	EAGLE 2 for LEL & PPM H2 specific (catalytic) / CH4 (100% LEL / 100% volume (IR) autoranging) / O2 / CO2 60% vol (IR) .....	3,895.00
724-140	EAGLE 2 for LEL & PPM / CO / NH3 / SO2 .....	2,995.00
724-141-03-P2	EAGLE 2 for LEL & PPM (catalytic) / CH4 (100% LEL / 100% volume (IR) autoranging) / CO2 5% volume (IR) / VOC's (0 - 2,000 ppm PID) .....	5,045.00
724-142-P2	EAGLE 2 for CH4 (100% LEL / 100% volume (IR) autoranging) / O2 / H2S / VOC's (0 - 2,000 ppm PID) ...	4,345.00
724-144-05	EAGLE 2 for CH4 (100% LEL / 100% volume (IR) autoranging) / H2S / NH3 / CO2 60% volume (IR) .....	4,095.00
724-145-10-P2	EAGLE 2 for CH4 (100% LEL / 100% volume (IR) autoranging) / H2 10% volume (TC) / O2 / VOC's 0 - 2,000 ppm, (PID) .....	4,695.00

## Four Gas Models Calibration Kits

Instrument #	Cal-Kit Part #	Cal-Kit Description	Price
724-001	81-5401RK	Cal kit, EAGLE, 58AL cyl H2S (25 ppm)/CO/CH4/O2, dem flow reg, case & tubing	535.00
	81-5401RK-LV	Cal kit, EAGLE, 34AL cyl H2S (25 ppm)/CO/CH4/O2, reg with gauge & knob, gas bag, case & tubing	415.00
724-101-P1	814-101-P1	Cal kit, EAGLE 2, 58AL cyl H2S/CO/CH4/O2, 103L cyl 10 ppm isobutylene in air, dem flow reg, case & tubing	685.00
	814-101-P1-DLV	Cal kit, EAGLE 2, 34AL cyl H2S/CO/CH4/O2, 34AL cyl 10 ppm isobutylene in air, dem flow reg, case & tubing	690.00
724-101-P2	814-101-P25	Cal kit, EAGLE 2, 58AL cyl 100 ppm isobutylene/25 ppm H2S/50 ppm CO/50% LEL CH4/12% O2/N2, dem flow reg, case & tubing	685.00
	814-101-P25-DLV	Cal kit, EAGLE 2, 34AL cyl 100 ppm isobutylene/25 ppm H2S/50 ppm CO/50% LEL CH4/12% O2/N2, dem flow reg, case & tubing	610.00

# EAGLE 2 Portable Series

## Five Gas Models

Part#	Description	Suggested Retail
725-001	EAGLE 2 for LEL & PPM / O2 / H2S / CO / SO2 .....	2,845.00
725-003	EAGLE 2 for LEL & PPM / O2 / H2S / CO / NH3 .....	2,845.00
725-004-02	EAGLE 2 for LEL & PPM / O2 / H2S / CO / CO2 10,000 ppm (IR).....	3,245.00
725-004-03	EAGLE 2 for LEL & PPM / O2 / H2S / CO / CO2 5% volume (IR) .....	3,245.00
725-004-05	EAGLE 2 for LEL & PPM / O2 / H2S / CO / CO2 60% volume (IR) .....	3,245.00
725-006	EAGLE 2 for LEL & PPM / O2 / CO / Cl2 / NH3.....	3,145.00
725-011	EAGLE 2 for LEL & PPM / O2 / H2S / CO / HCN .....	2,845.00
725-020-03	EAGLE 2 for LEL & PPM / O2 / CO / CO2 5% volume (IR) / NH3 .....	3,545.00
725-023-02	EAGLE 2 for LEL & PPM / O2 / H2S / CO2 10,000 ppm (IR) / NH3 .....	3,545.00
725-028	EAGLE 2 for LEL & PPM / O2 / CO / NH3 / PH3 .....	3,145.00
725-033	EAGLE 2 for LEL & PPM / O2 / CO / HCN / NH3 .....	3,145.00
725-048-03	EAGLE 2 for LEL & PPM / O2 / H2S / CO / CO2 5% volume (IR) / HCN .....	3,545.00
725-101-P1	EAGLE 2 for LEL & PPM / O2 / H2S / CO / VOC's (0 - 50 ppm, PID).....	4,095.00
725-101-P2	EAGLE 2 for LEL & PPM / O2 / H2S / CO / VOC's (0 - 2,000 ppm PID).....	3,795.00
725-102-P1	EAGLE 2 for LEL & PPM / O2 / CO / VOC's (0 - 50 ppm PID) / HCN.....	4,395.00
725-102-P2	EAGLE 2 for LEL & PPM / O2 / CO / VOC's (0 - 2,000 ppm PID) / HCN .....	4,095.00
725-103-02-P1	EAGLE 2 for LEL & PPM / O2 / CO / CO2 10,000 ppm (IR) / VOC's (0 - 50 ppm, PID) .....	4,795.00
725-103-02-P2	EAGLE 2 for LEL & PPM / O2 / CO / CO2 10,000 ppm (IR) / VOC's 0 - 2,000 ppm, (PID).....	4,495.00
725-103-03-P1	EAGLE 2 for LEL & PPM / O2 / CO / CO2 5% volume (IR) / VOC's (0 - 50 ppm, PID) .....	4,795.00
725-103-03-P2	EAGLE 2 for LEL & PPM / O2 / CO / CO2 5% volume (IR) / VOC's 0 - 2,000 ppm, (PID) .....	4,495.00
725-103-05-P1	EAGLE 2 for LEL & PPM / O2 / CO / CO2 60% volume (IR) / VOC's (0 - 50 ppm, PID).....	4,795.00
725-103-05-P2	EAGLE 2 for LEL & PPM / O2 / CO / CO2 60% volume (IR) / VOC's 0 - 2,000 ppm, (PID) .....	4,495.00
725-104-35-P2	EAGLE 2 for Methane CH4 100% volume (TC) / O2 / H2S / CO2 60% volume (IR) / VOC's 0 - 2,000 ppm, (PID).....	4,845.00
725-105-30	EAGLE 2 for LEL & PPM / CH4 100% volume (TC) / O2 / H2S / CO .....	2,895.00
725-106-02	EAGLE 2 for CH4 (100% LEL / 100% volume (IR) autoranging) / O2 / H2S / CO / CO2 (IR 0 - 10,000 ppm) .....	3,945.00
725-106-05	EAGLE 2 for CH4 (100% LEL / 100% volume (IR) autoranging) / O2 / H2S / CO / CO2 60% volume (IR)...	3,945.00
725-107-03-P2	EAGLE 2 for CH4 (100% LEL / 100% volume (IR) autoranging) / O2 / CO / CO2 5% volume (IR) / VOC's 0 - 2,000 ppm, (PID) .....	5,195.00
725-107-05-P2	EAGLE 2 for CH4 (100% LEL / 100% volume (IR) autoranging) / O2 / CO / CO2 60% volume (IR) / VOC's (0 - 2,000 ppm, PID) .....	5,195.00
725-108-P2	EAGLE 2 for CH4 (100% LEL / 100% volume (IR) autoranging) / O2 / H2S / CO / VOC's (0 - 2,000 ppm, PID).....	4,495.00
725-109-25-P2	EAGLE 2 for LEL & PPM / H2 100% volume (TC) / O2 / CO2 60% volume (IR) / VOC's 0 - 2,000 ppm, (PID) .....	4,845.00
725-110-35	EAGLE 2 for LEL & PPM (catalytic) / Methane CH4 100% volume (TC) / O2 / CO / CO2 60% volume (IR) .....	3,595.00
725-111-03	EAGLE 2 for LEL & PPM H2 (catalytic) / CH4 (100% LEL / 100% volume (IR) autoranging) / O2 / H2S / CO2 5% volume (IR) .....	3,945.00
725-111-05	EAGLE 2 for LEL & PPM H2 (catalytic) / CH4 (100% LEL / 100% volume (IR) autoranging) / O2 / H2S / CO2 60% volume (IR) .....	3,945.00
725-112-P2	EAGLE 2 for LEL & PPM / O2 / CO / VOC's 0 - 2,000 ppm (PID) / PH3.....	4,095.00
725-113-32	EAGLE 2 for LEL & PPM (catalytic) / Methane CH4 100% volume (TC) / O2 / H2S / CO2 10,000 ppm (IR) .....	3,595.00
725-113-35	EAGLE 2 for LEL & PPM (catalytic) / Methane CH4 100% volume (TC) / O2 / H2S / CO2 60% volume (IR) .....	3,595.00
725-114	EAGLE 2 for LEL & PPM (catalytic) / CH4 100% LEL (IR) / O2 / H2S / CO .....	3,245.00
725-115	EAGLE 2 for LEL & PPM / O2 / H2S / HCN / SO2 .....	3,145.00
725-117-05-P2	EAGLE 2 for LEL & PPM / O2 / H2S / CO2 60% volume (IR) / VOC's 0 - 2,000 ppm (PID) .....	4,495.00
725-118-P2	EAGLE 2 for Hydrocarbons HC 100% LEL (IR) / O2 / H2S / CO / VOC's 0 - 2,000 ppm (PID) .....	4,495.00
725-119	EAGLE 2 for CH4 (100% LEL / 100% volume (IR) autoranging) / O2 / H2S / CO / SO2 .....	3,545.00
725-120-P1	EAGLE 2 for LEL & PPM / O2 / CO / VOC's 0 - 50 ppm (PID) / NH3 .....	4,395.00
725-120-P2	EAGLE 2 for LEL & PPM / O2 / CO / VOC's 0 - 2,000 ppm (PID) / NH3 .....	4,095.00
725-121-P1	EAGLE 2 for LEL & PPM / O2 / CO / VOC's 0 - 50 ppm (PID) / Cl2 .....	4,395.00
725-121-P2	EAGLE 2 for LEL & PPM / O2 / CO / VOC's 0 - 2,000 ppm (PID) / Cl2 .....	4,095.00
725-122-02	EAGLE 2 for LEL & PPM / O2 / CO / CO2 10,000 ppm (IR) / SO2 .....	3,545.00
725-122-03	EAGLE 2 for LEL & PPM / O2 / CO / CO2 5% volume (IR) / SO2 .....	3,545.00
725-123-P2	EAGLE 2 for LEL & PPM / O2 / H2S / VOC's 0 - 2,000 ppm (PID) / NH3 .....	4,095.00
725-124-05	EAGLE 2 for CH4 (100% LEL / 100% volume (IR) autoranging) / O2 / H2S / CO2 60% volume (IR) / NH3 .....	4,245.00
725-125-05	EAGLE 2 for LEL & PPM / H2S / CO / CO2 60% volume (IR) / NH3 .....	3,545.00
725-127-10-P2	EAGLE 2 for LEL & PPM (catalytic) / Hydrogen H2 100% volume (TC) / O2 / H2S / VOC's 0 - 2,000 ppm (PID).....	4,145.00
725-128-02-P2	EAGLE 2 for LEL & PPM / O2 / CO2 10,000 ppm volume (IR) / VOC's 0 - 2,000 ppm, (PID) / NH3 .....	4,795.00
725-128-02-P2H2	EAGLE 2 for LEL & PPM Hydrogen (H2 specific) / O2 / CO2 10,000 ppm volume (IR) / VOC's 0 - 2,000 ppm, (PID) / NH3 .....	4,895.00

# EAGLE 2 Portable Series

## **Five Gas Models**

<b>Part#</b>	<b>Description</b>	<b>Suggested Retail</b>
725-130-P2	EAGLE 2 for LEL & PPM / O2 / H2S / VOC's 0 - 2,000 ppm (PID) / SO2 .....	4,095.00
725-130-P2	EAGLE 2 for LEL & PPM / O2 / H2S / VOC's 0 - 2,000 ppm (PID) / SO2 .....	4,095.00
725-131-35-P2	EAGLE 2 for LEL & PPM (catalytic) / Methane CH4 100% volume (TC) / O2 / CO2 60% volume (IR) / VOC's (0 - 2,000 ppm, PID) .....	4,845.00
725-132-02	EAGLE 2 for LEL & PPM / O2 / CO2 10,000 ppm (IR) / Cl2 / NH3 .....	3,845.00
725-132-03	EAGLE 2 for LEL & PPM / O2 / CO2 5% volume (IR) / Cl2 / NH3.....	3,845.00
725-133-05-P2	EAGLE 2 for CH4 (100% LEL / 100% volume (IR) autoranging) / O2 / H2S / CO2 60% vol (IR) / VOC's 0 - 2,000 ppm (PID) .....	5,195.00
725-134	EAGLE 2 for CH4 (100% LEL / 100% volume (IR) autoranging) / O2 / H2S / CO / SO2.....	3,545.00
725-135-CAT	EAGLE 2 for CH4 (100% LEL / 100% volume (IR) autoranging) / O2 / H2S / CO / NH3, inert mode for catalyst applications .....	3,545.00
725-136	EAGLE 2 for LEL & PPM (catalytic) / CH4 100% LEL / 100% volume (IR) autoranging / O2 / CO / NH3 ...	3,545.00
725-139-05	EAGLE 2 for Hydrocarbons (HC) 100% LEL, 30% volume (IR), autoranging / O2 / H2S / CO2 60% volume (IR) .....	4,645.00
725-142-P2	EAGLE 2 for LEL & PPM / O2 / VOC's 0 - 2,000 ppm (PID) / PH3 / NH3 .....	4,395.00
725-143-03-P1	EAGLE 2 for O2 / CO / CO2 5% volume (IR) / VOC's (0 - 50 ppm, PID) / SO2 .....	5,095.00
725-144-05-H2	EAGLE 2 for LEL & PPM H2 specific (catalytic) / CH4 100% LEL / 100% volume (IR) autoranging / O2 / H2S / CO2 60% volume (IR) .....	4,045.00
725-145	EAGLE 2 for H2S / CO / HCN / SO2 / NH3 .....	3,445.00
725-147-P1	EAGLE 2 for LEL & PPM (catalytic) / CH4 100% LEL / 100% volume (IR) autoranging / O2 / VOC's (0 - 50 ppm, PID) / NH3 .....	5,095.00
725-147-P2	EAGLE 2 for LEL & PPM (catalytic) / CH4 100% LEL / 100% volume (IR) autoranging / O2 / VOC's (0 - 2,000 ppm PID) / NH3 .....	4,795.00
725-148-1000-01	EAGLE 2 for CH4 % LEL (IR) / O2 (0-100% volume) / H2S / CO (0-1,000 ppm) .....	3,645.00
725-150-P2	EAGLE 2 for LEL & PPM / O2 / VOC's 0 - 2,000 ppm (PID) / NH3 / SO2 .....	4,395.00
725-152-02-H2	EAGLE 2 for LEL & PPM H2 specific (catalytic) / LEL CH4 (IR) / O2 / H2S / CO2 10,000 ppm (IR) .....	4,045.00
725-153-25	EAGLE 2 for LEL & PPM (catalytic) / Hydrogen H2 100% volume (TC) / O2 / H2S / CO2 60% volume (IR)	3,595.00
725-154-03-H2	EAGLE 2 for LEL & PPM Hydrogen (H2 specific) (catalytic) / CH4 (100% LEL / 100% volume (IR) autoranging) / O2 / CO2 5% volume (IR) / NH3 .....	4,345.00

## **Five Gas Models Calibration Kits**

<b>Instrument #</b>	<b>Cal-Kit Part #</b>	<b>Cal-Kit Description</b>	<b>Price</b>
725-001	815-001	Cal kit, EAGLE 2, 58AL cyl SO2/H2S/CO/CH4/O2, dem flow reg, case & tubing	575.00
	815-001-DLV	Cal kit, EAGLE 2, 34AL cyl SO2/H2S/CO/CH4/O2, dem flow reg, case & tubing	580.00
725-101-P1	815-101-P1	Cal kit, EAGLE 2, 58AL cyl H2S/CO/CH4/O2, 103L cyl 10 ppm isobutylene in air, dem flow reg, case & tubing	725.00
	815-101-P1-DLV	Cal kit, EAGLE 2, 34AL cyl H2S/CO/CH4/O2, 34AL cyl 10 ppm isobutylene in air, dem flow reg, case & tubing	690.00
725-101-P2	815-101-P2	Cal kit, EAGLE 2, 58AL cyl H2S/CO/CH4/O2, 103L cyl 100 ppm isobutylene in air, dem flow reg, case & tubing	685.00
	815-101-P2-DLV	Cal kit, EAGLE 2, 34AL cyl H2S/CO/CH4/O2, 34AL cyl 100 ppm isobutylene in air, dem flow reg, case & tubing	690.00
725-102-P1	815-102-P1	Cal kit, EAGLE 2, 103L cyl LEL/O2/CO, 103L cyl 10 ppm isobutylene/air, 103L cyl 10 ppm HCN/N2, dem flow reg, case & tubing	950.00
	815-102-P1-DLV	Cal kit, EAGLE 2, 34L cyl LEL/O2/CO, 34L cyl 10 ppm isobutylene/air, 34AL cyl 10 ppm HCN/N2, dem flow reg, case & tubing	465.00

# EAGLE 2 Portable Series

## Six Gas Models

<b>Part#</b>	<b>Description</b>	<b>Suggested Retail</b>
726-008-02	EAGLE 2 for LEL & PPM / O2 / H2S / CO / NH3 / CO2 10,000 ppm (IR) .....	3,695.00
726-008-03	EAGLE 2 for LEL & PPM / O2 / H2S / CO / NH3 / CO2 5% volume (IR) .....	3,695.00
726-016-02	EAGLE 2 for LEL & PPM / O2 / H2S / CO / CO2 10,000 ppm (IR) / SO2 .....	3,695.00
726-017	EAGLE 2 for LEL & PPM / O2 / H2S / CO / NH3 / SO2 .....	3,295.00
726-101-P1	EAGLE 2 for LEL & PPM / O2 / H2S / CO / SO2 / VOC's (0 - 50 ppm, PID) .....	4,545.00
726-101-P2	EAGLE 2 for LEL & PPM / O2 / H2S / CO / SO2 / VOC's (0 - 2,000 ppm, PID) .....	4,245.00
726-102-P1	EAGLE 2 for LEL & PPM / O2 / H2S / CO / NH3 / VOC's (0 - 50 ppm, PID) .....	4,545.00
726-102-P2	EAGLE 2 for LEL & PPM / O2 / H2S / CO / NH3 / VOC's (0 - 2,000 ppm, PID) .....	4,245.00
726-105-35	EAGLE 2 for LEL & PPM / Methane CH4 100% volume (TC) / O2 / H2S / CO / CO2 60% volume (IR) .....	3,745.00
726-106-02-P1	EAGLE 2 for LEL & PPM / O2 / H2S / CO / CO2 10,000 ppm (IR) / VOC's 0 - 50 ppm, (PID) .....	4,945.00
726-106-02-P2	EAGLE 2 for LEL (CAT) / O2 / H2S / CO / CO2 (IR 0 - 10,000 ppm) / VOC's 0 - 2,000 ppm, (PID) .....	4,645.00
726-106-03-P2	EAGLE 2 for LEL & PPM / O2 / H2S / CO / CO2 5% volume (IR) / VOC's 0 - 2,000 ppm, (PID) .....	4,645.00
726-106-05-P2	EAGLE 2 for LEL & PPM / O2 / H2S / CO / CO2 60% volume (IR) / VOC's 0 - 2,000 ppm, (PID) .....	4,645.00
726-107-05-P2	EAGLE 2 for LEL & PPM / H2S / CO / NH3 / CO2 60% volume (IR) / VOC's 0 - 2,000 ppm, (PID) .....	4,945.00
726-108-P2	EAGLE 2 for LEL & PPM / O2 / CO / VOC's (0 - 2,000 ppm, PID) / Cl2 / NH3 .....	4,545.00
726-109-P2	EAGLE 2 for O2 / H2S / CO / VOC's 0 - 2,000 ppm (PID) / SO2 / NH3 .....	4,545.00
726-110-05-P2	EAGLE 2 for CH4 100% LEL / 100% volume (IR) autoranging / O2 / CO / H2S / CO2 60% volume (IR) / VOC's 0 - 2,000 ppm, (PID) .....	5,345.00
726-111-30-P1	EAGLE 2 for LEL & PPM / Methane CH4 100% volume (TC) / O2 / H2S / CO / VOC's (0 - 50 ppm, PID) ...	4,595.00
726-111-30-P2	EAGLE 2 for LEL & PPM / Methane CH4 100% volume (TC) / O2 / H2S / CO / VOC's (0 - 2,000 ppm, PID)	4,295.00
726-112-P2	EAGLE 2 for LEL & PPM / O2 / CO / VOC's (0 - 2,000 ppm, PID) / HCN / NH3 .....	4,545.00
726-114-05-P2	EAGLE 2 for LEL & PPM H2 (catalytic) / CH4 (100% LEL / 100% volume (IR) autoranging) / O2 / H2S / CO2 60% volume (IR) / VOC's 0 - 2,000 ppm (PID) .....	5,345.00
726-115-02	EAGLE 2 for LEL & PPM CH4 (catalytic) / CH4 (100% LEL / 100% volume (IR) autoranging) / O2 / H2S / CO / CO2 10,000 ppm (IR) .....	4,095.00
726-115-05	EAGLE 2 for LEL & PPM CH4 (catalytic) / CH4 (100% LEL / 100% volume (IR) autoranging) / O2 / H2S / CO / CO2 60% vol (IR) .....	4,095.00
726-116-02	EAGLE 2 for LEL & PPM / O2 / H2S / CO / CO2 10,000 ppm (IR) / HCN .....	3,695.00
726-117-P2	EAGLE 2 for CH4 (100% LEL / 100% volume (IR) autoranging) / O2 / H2S / CO / VOC's 0 - 2,000 ppm (PID) / NH3 .....	4,945.00
726-118	EAGLE 2 for LEL & PPM / O2 / H2S / CO / HCN / SO2 .....	3,295.00
726-119-02	EAGLE 2 for CH4 (100% LEL / 100% volume (IR) autoranging) / O2 / H2S / CO / CO2 10,000 ppm (IR) / SO2 .....	4,395.00
726-120-02	EAGLE 2 for CH4 (100% LEL / 100% volume (IR) autoranging) / O2 / H2S / CO / CO2 10,000 ppm (IR) / NH3 .....	4,395.00
726-120-05	EAGLE 2 for CH4 % LEL (IR) / O2 / H2S / CO / CO2 60% volume (IR) / NH3 .....	4,395.00
726-121-P2	EAGLE 2 for LEL & PPM (catalytic) / CH4 (100% LEL / 100% volume (IR) autoranging) / O2 / H2S / CO / VOC's 0 - 2,000 ppm (PID) / .....	4,645.00
726-122-P2	EAGLE 2 for Hydrocarbons HC (100% LEL / 30% volume (IR) autoranging) / O2 / H2S / CO / VOC's 0 - 2,000 ppm (PID) / SO2 .....	4,945.00
726-123-P2	EAGLE 2 for LEL & PPM / O2 / H2S / VOC's 0 - 2,000 ppm (PID) / HCN / SO2 .....	4,545.00
726-124-P2	EAGLE 2 for LEL & PPM / O2 / CO / VOC's (0 - 2,000 ppm PID) / NH3 / PH3 .....	4,545.00
726-125-P2	EAGLE 2 for LEL & PPM / O2 / H2S / CO / VOC's (0 - 2,000 ppm, PID) / HCN .....	4,245.00
726-126-02	EAGLE 2 for O2 / H2S / CO / CO2 10,000 ppm (IR) / SO2 / NH3 .....	3,995.00
726-127	EAGLE 2 for LEL & PPM / O2 / CO / HCN / NH3 / CL2 .....	3,595.00
726-128-P2	EAGLE 2 for LEL & PPM CH4 (catalytic) / CH4 (100% LEL / 100% volume (IR) autoranging) / O2 / H2S / VOC's 0 - 2,000 ppm (PID) / NH3 .....	4,945.00
726-130	EAGLE 2 for CH4 (100% LEL / 100% volume (IR) autoranging) / O2 / H2S / CO / SO2 / NH3 .....	3,995.00
726-131-P2	EAGLE 2 for LEL & PPM / O2 / CO / VOC's (0 - 2,000 ppm PID) / SO2 / NH3 .....	4,545.00
726-133	EAGLE 2 for LEL & PPM / O2 / CO / CL2 / SO2 / NH3 .....	3,595.00
726-135-30	EAGLE 2 for LEL & PPM (catalytic) / Methane CH4 100% volume (TC) / O2 / H2S / CO / NH3 .....	3,345.00
726-136-02	EAGLE 2 for LEL & PPM / O2 / CO / CO2 10,000 ppm (IR) / PH3 / NH3 .....	3,995.00

# EAGLE 2 Portable Series

## Replacement Sensors

**NOTE: When ordering replacement sensors, it is essential to get the sensor type numbers off the old sensor, or else the incorrect sensor may be purchased. Different sensor technologies or IR ranges are not interchangeable without also changing the sub-board and possibly other hardware.**



## Standard 4 Gas Sensors

Part#	Description	Suggested Retail
NC-6260B	Sensor, LEL / ppm, plug-in, EAGLE 2 .....	200.00
61-0155RK	Sensor, LEL H2 only, plug-in, (NC-6244) for EAGLE 2, 35-3001, 35-3000, GD-A8/D8 .....	250.00
65-0601RK	Sensor, Oxygen (O2) (OS-B3), for EAGLE, EAGLE 2, or RX-415 .....	160.00
65-2005RK	Sensor, Carbon Monoxide (CO), 0 - 500 ppm range, EAGLE/EAGLE 2 .....	195.00
ES-87RW-H2S	Sensor, Hydrogen Sulfide (H2S), 0 - 100 ppm range, EAGLE 2 standard, EAGLE marine versions .....	195.00

## PID and TC Sensors

Part#	Description	Suggested Retail
61-0302	Sensor, Volatile Organic Compounds (VOC) 0-50 ppm, 10.6 eV PID, low ppm sensor for VOC Pro, Air Alert, AirLink VOC Pro, AirLink Alert .....	1,100.00
61-0303	Sensor, Volatile Organic Compounds (VOC) 0-2000 ppm, 10.6 eV PID, high ppm sensor for VOC Pro, Air Alert, AirLink VOC Pro, AirLink Alert ...	940.00
TE-7568	Sensor, TE-7568, TC, Methane (CH4), 0 - 100% volume/ Hydrogen (H2), 0 - 10%/100% volume, EAGLE 2.....	360.00



## Replacement Lamps and Electrode Stacks for PID sensors

PID Sensor	eV	Replacement Lamp	Electrode Stack
61-0302	10.6	51-1503	33-0560-01
61-0303	10.6		33-0562
61-0300RK-01*	10.6		33-0560-01
61-0300RK-02*	10.6		33-0562

\* (Discontinued Sensor)

Part#	Description	Suggested Retail
33-0560-01	Electrode Stack for 10.6 (50 ppm sensor) & 11.7 eV lamps used in EAGLE 2, GX-6000, or VOC Pro (1 electrode) .....	100.00
33-0562	Electrode Stack for 10.6 eV lamp, 0-2,000/6,000 ppm for EAGLE 2, GX-6000, or VOC Pro, (1 electrode) .....	64.00
51-1503	Replacement lamp only, 0-50/-2000/-6000/ HPPM long life type for any 10.6 eV or 10.0 eV PID. ....	220.00



Electrode Stack



Replacement Lamp



PID sensor



# EAGLE 2 Portable Series

## Replacement Sensors

**NOTE: When ordering replacement sensors, it is essential to get the sensor type numbers off the old sensor,** or else the incorrect sensor may be purchased. Different sensor technologies or IR ranges are not interchangeable without also changing the sub-board and possibly other hardware.

## Infrared Sensors



<u>Part#</u>	<u>Description</u>	<u>Suggested Retail</u>
DEM-3313-3	Sensor, IR, Methane (CH <sub>4</sub> ), 0 - 100% LEL & 0 - 100% volume autoranging .....	750.00
DEM-3313-3A	Sensor, IR, Methane (CH <sub>4</sub> ), 0 - 100% volume autoranging .....	750.00
DEM-3313-2	Sensor, IR, HC, 0 - 100% LEL / 0 - 30% volume auto range .....	750.00
DEM-3313-4	Sensor, IR, Carbon Dioxide (CO <sub>2</sub> ), 0 - 10,000 ppm range .....	750.00
DEM-3313-1	Sensor, IR, Carbon Dioxide (CO <sub>2</sub> ), 0 - 5% volume range .....	750.00
DEM-3313-5	Sensor, IR, Carbon Dioxide (CO <sub>2</sub> ), 0 - 60% volume range .....	750.00

## Electrochemical Smart Toxic Sensors



<u>Part#</u>	<u>Description</u>	<u>Suggested Retail</u>
ESM-01R-NH <sub>3</sub>	Sensor, Ammonia (NH <sub>3</sub> ), 0 - 75 ppm, ESM-01 plug-in type .....	195.00
ESM-01DH-ASH <sub>3</sub>	Sensor, Arsine (AsH <sub>3</sub> ), 0 - 1.50 ppm, ESM-01 plug-in type .....	195.00
ESM-K01-CL <sub>2</sub>	Sensor, Chlorine (Cl <sub>2</sub> ), 0 - 3 ppm, ESM-01 plug-in type .....	195.00
ESM-01DH-D-HCN	Sensor, Hydrogen Cyanide (HCN), 0 - 15 ppm, ESM-01 plug-in type .....	195.00
ESM-01DHL-HCN	Sensor, Hydrogen Cyanide (HCN), 0 - 15 ppm, ESM-01 plug-in type, for low humidity use .....	225.00
ESM-01DH-PH <sub>3</sub>	Sensor, Phosphine (PH <sub>3</sub> ), 0 - 1.0 ppm, ESM-01 plug-in type .....	195.00
ESM-01DH-F-SO <sub>2</sub>	Sensor, Sulfur Dioxide (SO <sub>2</sub> ), 0 - 6 ppm, ESM-01 plug-in type .....	195.00

# EAGLE 2 Portable Series

## SDM-E2 Calibration Station

<u>Part#</u>	<u>Description</u>	<u>Suggested Retail</u>
81-SDME2-01	Calibration station for EAGLE 2, model SDM-E2 with AC adaptor, flash drive, USB cable, & tubing .....	1,800.00
81-SDME2-02	Calibration station for EAGLE 2, model SDM-E2 with AC adaptor, flash drive, USB cable, tubing, & demand flow regulator .....	2,080.00
81-SDME2-03	Calibration station for EAGLE 2, model SDM-E2 with AC adaptor, flash drive, USB cable, tubing, demand flow regulator & 58AL cyl 25 ppm H2S/50 ppm CO/50% LEL CH4/12% O2 in N2 .....	2,270.00
81-SDME2-08-P1	Calibration station for EAGLE 2, model SDM-E2 with AC adaptor, flash drive, USB cable, tubing, two demand flow regulators, 58AL cyl 25 ppm H2S/50 ppm CO/50% LEL CH4/12% O2 in N2, & 103L steel cyl 10 ppm isobutylene in Air .....	2,700.00
81-SDME2-09-P2	Calibration station for EAGLE 2, model SDM-E2 with AC adaptor, flash drive, USB cable, tubing, demand flow regulator, 58AL cyl 25 ppm H2S/50 ppm CO/50% LEL CH4/100 ppm isoButylene/12% O2 in N2 .....	2,420.00



## Calibration Equipment

<u>Part#</u>	<u>Description</u>	<u>Suggested Retail</u>
32-0031RK-01	Valve with hose barbs and sample tube for two cylinders to connect to a single calibration station gas port	126.00
33-2002RK	Humidifier, 24" Nafion tube with 1/8" hose barbs, ME-110-24BB .....	320.00
81-0012RK-01	Cylinder, CH4 50% LEL in air, 34L steel .....	55.00
81-0012RK-03	Cylinder, CH4 50% LEL/air, 103L steel .....	150.00
81-0064RK-01	Cylinder, CO 50 ppm in air, 34L steel .....	55.00
81-0064RK-03	Cylinder, CO 50 ppm in air, 103L steel .....	150.00
81-0071RK-01	Cylinder, CO2 5000 ppm in N2, 34L steel .....	55.00
81-0071RK-03	Cylinder, CO2 5000 ppm in N2, 103L steel.....	150.00
81-0072RK-01	Cylinder, CO2 2.5% in N2, 34L steel .....	55.00
81-0072RK-03	Cylinder, CO2 2.5% in N2, 103L steel .....	150.00
81-0090RK-01	Cylinder, CO 50 ppm / CH4 50% LEL / O2 12 % in N2, 34L steel .....	55.00
81-0090RK-03	Cylinder, CO 50 ppm / CH4 50% LEL / O2 12 % in N2, 103L steel.....	150.00
81-0103RK-01	Cylinder, isobutylene 100 ppm in air, 34L steel (steel cylinder) .....	55.00
81-0103RK-03	Cylinder, isobutylene 100 ppm in air, 103L steel .....	150.00
81-0103RK-04	Cylinder, isobutylene 100 ppm in air, 34AL (aluminum cylinder).....	150.00
81-0104RK-03	Cylinder, isobutylene 10 ppm in air, 103L steel.....	150.00
81-0104RK-04	Cylinder, isobutylene 10 ppm in air, 34AL (aluminum cylinder) .....	150.00
81-0142RK-02	Cylinder, SO2 5 ppm / H2S 25 ppm / CO 50 ppm / CH4 50% LEL / O2 12% in N2, 58AL .....	280.00
81-0142RK-04	Cylinder, SO2 5 ppm / H2S 25 ppm / CO 50 ppm / CH4 50% LEL / O2 12% in N2, 34AL .....	200.00
81-0143RK-02	Cylinder, isobutylene 100 ppm / H2S 25 ppm / CO 50 ppm / CH4 50% LEL / O2 12% in N2, 58AL .....	340.00
81-0143RK-04	Cylinder, isobutylene 100 ppm / H2S 25 ppm / CO 50 ppm / CH4 50% LEL / O2 12% in N2, 34AL .....	230.00
81-0151RK-02	Cylinder, H2S 25 ppm in N2, 58AL .....	150.00
81-0154RK-02	Cylinder, H2S 25 ppm / CO 50 ppm / CH4 50% LEL / O2 12% in N2, 58AL .....	190.00
81-0154RK-04	Cylinder, H2S 25 ppm / CO 50 ppm / CH4 50% LEL / O2 12% in N2, 34AL .....	160.00
81-0154RK-116	Cylinder, H2S 25 ppm / CO 50 ppm / CH4 50% LEL / O2 12% in N2, 116AL.....	320.00
81-0170RK-02	Cylinder, SO2 5 ppm in N2, 58AL .....	160.00
81-0170RK-04	Cylinder, SO2 5 ppm in N2, 34AL .....	140.00
81-0176RK-02	Cylinder, NH3 25 ppm in N2, 58AL.....	300.00
81-0176RK-04	Cylinder, NH3 25 ppm in N2, 34AL.....	280.00
81-0185RK-02	Cylinder, PH3 0.5 ppm in N2, 58AL .....	300.00
81-0185RK-04	Cylinder, PH3 0.5 ppm in N2, 34AL .....	260.00
81-0192RK-02	Cylinder, Cl2 2 ppm in N2, 58AL.....	340.00
81-0192RK-04	Cylinder, Cl2 2 ppm in N2, 34AL.....	220.00
81-0196RK-02	Cylinder, HCN 10 ppm in N2, 58AL .....	260.00
81-0196RK-04	Cylinder, HCN 10 ppm in N2, 34AL .....	220.00
81-1001RK	Dispensing valve, 17/34L, CGA 600 fitting .....	28.00
81-1051RK-60	Regulator, with gauge & knob, 34AL/58AL/103L/116L steel, 6.0 LPM, C-10 fitting .....	125.00
81-1054RK	Regulator, demand flow for 34AL/58AL/103L/116L cylinders .....	280.00
81-1055RK	Regulator, demand flow for 17L/34L steel steel cylinders .....	280.00

# EAGLE 2 Portable Series

## EAGLE 2 Replacement Parts & Accessories

<u>Part#</u>	<u>Description</u>	<u>Suggested Retail</u>
07-0131RK	Gasket, battery pack seal for EAGLE 2	4.60
07-0133RK	Gasket, buzzer for EAGLE 2	6.00
07-6020RK	O-ring for EAGLE probe	0.90
13-0100RK	Shoulder Strap with RKI logo, EAGLE / EAGLE 2	30.00
13-1081RK	Thumbscrew, captive, 10-32 x 2.0, EAGLE 2	10.60
14-0141RK	Strap for ESM-01 / IR sensors	8.40
20-0640RK	Carrying case, padded for EAGLE/EAGLE 2 & RX-415/RI-415, with space for instruments and accessories	360.00
20-0642RK	Carrying case, padded for EAGLE / EAGLE 2 instrument with space for calibration kit and accessories	520.00
21-0642RK	Battery enclosure for EAGLE 2, (batteries not included)	140.00
29-0338RK	Label, switches, EAGLE 2	10.00
29-0339RK	Label, display overlay, EAGLE 2	12.00
30-0522RK	Inlet fitting, standard, metal, quick disconnect, female, EAGLE/1641/GX-4000A	38.00
30-0600RK-01	Pump, internal, with connector, EAGLE/EAGLE 2/RP-GX-94	195.00
30-0608RK	Pump rebuild kit, for 30-0600RK-01 (pump version 7.51.82) (current standard)	50.00
31-0023RK-02	Flowmeter, 0.2 - 2.0 SCFH, with valve and hosebarb fitting for GX-2012 / GX-6000 flow measurement	140.00
31-2050RK	Sensor, pressure differential for EAGLE, 0 - 10 mm H2O	32.00
33-0151RK	Hydrophobic filter, .2 um, 1/8 NPTM, ACRO-50	38.00
33-0156RK-01	Replacement hydrophobic filter element for probe, (pack of 5), EAGLE / EAGLE 2 probe	14.00
33-0156RK-100	Replacement hydrophobic filter element for probe (pack of 100), EAGLE / EAGLE 2 probe	200.00
33-0173RK	Filter, internal, hydrophobic, EAGLE 2	10.00
33-0562	Electrode Stack for 10.6 eV lamp, 0-2,000/6,000 ppm for EAGLE 2, GX-6000, or VOC Pro, (1 electrode)	64.00
33-1031RK	Cotton balls, filters for probe, bag of 25	4.00
33-1200RK	Particle filter replacement, 5 microns, for new style EAGLE 2 probes (not for use with PID sensors)	3.00
33-3015RK	Filter, pleated paper type for 80-0182RK and 80-0211RK water trap	11.00
33-6010RK-01	CO2 Scrubber with fitting and tubing for standard EAGLE / EAGLE 2	82.00
33-6090RK	Charcoal filter replacement, GX-4000A / EAGLE 2	8.50
33-6092	Charcoal filter with tubing stubs and plugs, CF-8501, for GX-6000/EAGLE 2, CO2 & PID combinations	42.00
35-0110RK	Dummy Sensor, H2S/CO, EAGLE	10.00
35-0111RK	Dummy Sensor, O2, EAGLE	12.00
35-0112RK	Dummy Sensor, LEL, EAGLE	12.00
35-0142RK	Plug, ESM-01 / IR / PID sensors, EAGLE 2	12.00
45-2430RK	Plug adapter for charger, US to Euro, non-grounded	3.60
47-1016RK	12 VDC vehicle charging adapter, Eagle 2 (charger unit not included)	30.00
47-5010RK	Cable with connector for LEL and TC sensors for EAGLE/EAGLE 2	21.40
47-5084RK-01	Downloading cable, USB / IrDA adapter, Windows XP, Windows 7, Windows 8, and Windows 10 compatible	220.00
49-0115RK	115 / 220 VAC Adapter for charger, GX-6000/GX-2009/GX-2012/Gas Tracer/EAGLE 2/GX-8000/SC-8000	20.00
49-1130RK	Battery, C size, alkaline battery	2.40
49-1330RK	Battery, Ni-MH, C size (4 required)	13.00
49-1405RK	Lithium battery, 1.55 volt, SR41W, GX-2003/EAGLE 2 (PCB memory backup battery)	4.00
49-1405RK-01	Battery contact, positive, for GX-2003/EAGLE 2, lithium battery, SUS304+NI3	1.50
49-2174RK	Battery charging module, 100 - 240 VAC & 12 VDC input, EAGLE 2, (power adapter not included)	120.00
49-2175RK	Battery Charger, 100-240 VAC, EAGLE 2 (batteries not included)	140.00
49-2175RK-01	Battery Charger, 100-240 VAC, with 4 C size Ni-MH batteries, added to EAGLE 2, factory installed	180.00
49-2175RK-02	Battery Charger, 100-240 VAC, with 4 C size Ni-MH batteries, added to EAGLE 2, field installed	190.00
49-2176RK	Battery charger, 12 VDC, with cigarette lighter plug, EAGLE 2 (batteries not included)	140.00
49-2176RK-01	Battery charger, 12 VDC, with cigarette lighter plug and 4 C size Ni-MH batteries, EAGLE 2, factory installed	180.00
49-2176RK-02	Battery charger, 12 VDC, with cigarette lighter plug and 4 C size Ni-MH batteries, EAGLE 2, field installed	190.00
49-2177RK	Battery charger, 100-240 VAC adapter and 12 VDC with vehicle plug adapter, EAGLE 2	160.00
49-2177RK-01	Battery charger, 100-240 VAC adapter, 12 VDC with vehicle plug adapter, and 4 C size Ni-MH batteries, EAGLE 2, factory installed	200.00
49-2177RK-02	Battery charger, 100-240 VAC adapter, 12 VDC with vehicle plug adapter, and 4 C size Ni-MH batteries, EAGLE 2, field installed	210.00
51-1500RK	Replacement lamp only, old style, 0-50 ppm for 61-0300RK-01, 10.6 eV/PID-001 sensor in EAGLE 2/ GX-6000	275.00
51-1502	Replacement lamp, old style, 0-2000 (EAGLE 2) or 0-6000 ppm, 61-0300RK-02 sensor, 10.6 eV/PID-002 (GX-6000)	250.00

# EAGLE 2 Portable Series

## EAGLE 2 Replacement Parts & Accessories

<b>Part#</b>	<b>Description</b>	<b>Suggested Retail</b>
57-0102RK-01	PC board assembly, main replacement, EAGLE 2 .....	600.00
57-0103RK-01	PC board assembly, LCD replacement, EAGLE 2 .....	250.00
57-0109RK	PC board assembly, sub PCB, ESM-01, EAGLE 2 .....	140.00
57-0110RK	PC board assembly, sub PCB, IR, EAGLE 2 .....	140.00
57-0111RK	PC board assembly, sub PCB, TC, EAGLE 2 .....	140.00
57-0112RK-01	PC board assembly, sub PCB, PID, reprogrammed and defaulted, EAGLE 2 .....	140.00
57-2005RK	PC board assembly, type 4 with cable for PID, EAGLE 2 .....	36.00
57-2005RK-01	Adaptor assembly, type 4 to ESM-01 with cable, EAGLE 2 .....	66.00
80-0101RKE	Floating ball / hose assembly, 25', with EAGLE/EAGLE 2 fitting .....	120.00
80-0131RK-10	Probe, 10", hydrophobic, standard, with particle filter and metal fittings, EAGLE / EAGLE 2 .....	55.00
80-0131RK-20	Probe, 10", hydrophobic, standard, without particle filter, with metal fittings, for EAGLE 2 with PID .....	54.00
80-0133RK-10	Probe, 30", aluminum, with particle filter and 1641 fittings, EAGLE .....	95.00
80-0133RK-20	Probe, 30", aluminum, without particle filter and 1641 fittings, EAGLE .....	95.00
80-0134RK-10	Probe, 4", stainless steel, with particle filter, handle, and 1641 fittings, EAGLE .....	260.00
80-0134RK-20	Probe, 4", stainless steel, without particle filter, handle, and 1641 fittings, EAGLE .....	250.00
80-0135RK-10	Probe, 30", stainless steel, with particle filter and 1641 fittings, EAGLE .....	110.00
80-0135RK-20	Probe, 30", stainless steel, without particle filter and 1641 fittings, EAGLE .....	110.00
80-0136RK	Probe, 32", extendable (10" collapsed), fiberglass, with dust filter, (cotton ball), EAGLE / EAGLE 2 .....	76.00
80-0137RK	Probe, 10" plastic, with dust filter (cotton ball), for EAGLE .....	38.00
80-0142RK-10	Probe, 30", fiberglass, for bar hole, with particle filter, EAGLE .....	88.00
80-0142RK-20	Probe, 30", fiberglass, for bar hole, without particle filter, EAGLE .....	88.00
80-0143RK	Extendable probe, 7' (collapsible to 2'), fiberglass with filter for EAGLE .....	88.00
80-0156RK-10	Probe, 30", fiberglass, rigid with particle filter, EAGLE .....	80.00
80-0156RK-20	Probe, 30", fiberglass, rigid without particle filter, EAGLE .....	80.00
80-0160RK-12	Extendable probe, 12', with 1641 fittings, EAGLE .....	250.00
80-0160RK-18	Extendable probe, 18', with 1641 fittings, EAGLE .....	250.00
80-0182RK	Probe, with internal paper dust filter, pleated paper type, EAGLE/GX-4000A .....	95.00
80-0211RK	Water Trap (bowl type) with 1641 fittings with pleated paper filter, EAGLE .....	120.00
80-0224RK	Filter, hydrophobic, in-line type (ACRO-50), with EAGLE fittings (1641) .....	75.00
80-0405RK	Dilution fitting 50:50, for EAGLE only (for use with hose & probe), with 1641 fittings .....	95.00
80-0406RK	Dilution fitting 3 to 1 for EAGLE only (for use with hose & probe), with 1641 fittings .....	120.00
80-0505RK	Hose, 5' polyurethane with fittings (standard gas versions only), EAGLE / EAGLE 2 .....	40.00
80-0510RK	Hose, 10', polyurethane (for standard gases only), with 1641 fittings, EAGLE/EAGLE 2 .....	45.00
80-0515RK	Hose, 15', polyurethane (for standard gases only), with 1641 fittings, EAGLE/EAGLE 2 .....	50.00
80-0520RK	Hose, 20', polyurethane (for standard gases only), with 1641 fittings, EAGLE/EAGLE 2 .....	55.00
80-0525RK	Hose, 25', polyurethane (for standard gases only), with 1641 fittings, EAGLE/EAGLE 2 .....	60.00
80-0530RK	Hose, 30', polyurethane (for standard gases only), with 1641 fittings, EAGLE/EAGLE 2 .....	70.00
80-0540RK	Hose, 40', polyurethane (for standard gases only), with 1641 fittings, EAGLE/EAGLE 2 .....	80.00
80-0550RK	Hose, 50', polyurethane (for standard gases only), with 1641 fittings, EAGLE/EAGLE 2 .....	90.00
80-0560RK	Hose, 60', polyurethane (for standard gases only), with 1641 fittings, EAGLE/EAGLE 2 .....	100.00
80-0575RK	Hose, 75', polyurethane (for standard gases only), with 1641 fittings, EAGLE/EAGLE 2 .....	115.00
80-0599RK	Hose, 100', polyurethane (for standard gases only), with 1641 fittings, EAGLE/EAGLE 2 .....	140.00
80-0599RK-125	Hose, 125', polyurethane (for standard gases only), with 1641 fittings, EAGLE/EAGLE 2 .....	170.00
80-0605RK	Hose, 5' teflon lined, with fittings (PID versions only), EAGLE / EAGLE 2 .....	110.00
80-0620RK	Hose, 20' teflon lined, with fittings (PID versions only), EAGLE/EAGLE 2 .....	195.00
80-0802RK	Float probe assembly, 12', (without dilution fitting), EAGLE tank tester version .....	420.00
82-0300RK	PID lamp cleaning kit with removal tool for 10.0 & 10.6 eV lamps only .....	52.00

# EAGLE 2 Portable Series

## ***Eagle 2 Confined Space Kit (Instrument & Cal Kit Included)***

Confined space kits include padded carrying case, and complete calibration kit. ***Instrument included.***

<b><u>Part#</u></b>	<b><u>Description</u></b>	<b><u>Suggested Retail</u></b>
724-001-50	EAGLE 2 for LEL & PPM / O2 / H2S / CO, 58AL H2S/CO/O2/CH4, dem flow reg, tubing, and padded carrying case .....	3,390.00
725-101-P1-50	EAGLE 2 for LEL & PPM / O2 / H2S / CO / VOC's (0 - 50 ppm, PID), 58AL H2S/CO/O2/CH4, 103L 10 ppm isobutylene/Air, dem flow reg, tubing, and padded carrying case .....	5,090.00
725-101-P2-50	EAGLE 2 for LEL & PPM / O2 / H2S / CO / VOC's (0 - 2,000 ppm, PID), 58AL H2S/CO/O2/CH4, 103L 100 ppm isobutylene/Air, dem flow reg, tubing, and padded carrying case .....	4,935.00

## EAGLE Sample Drawing Versions

The EAGLE™ can be ordered with up to 6 gas sensors. Please specify the gas combination when ordering. Ask factory for combinations not listed. All versions listed below are supplied with alkaline batteries, and include a hose, probe (if applicable; not used with some versions due to absorption reasons), shoulder strap, instruction manual, and training CD. Many versions also include an internal hydrophobic filter as standard (for versions where the internal hydrophobic filter will not fit, it will be provided externally). For Ni-Cads, charger, data logging, larger internal hydrophobic filter or other accessories, please review the notes below for these optional accessories.



See "EAGLE Replacement Parts & Accessories" page 87.

### All Eagle Instrument Price Includes

- 80-0505RK Hose, polyurethane 5' (standard gas versions and some super toxic versions only)
- or
- 06-1273RK Hose, teflon, 3' (for certain super toxic gas versions), price per foot
- 13-0100RK Shoulder Strap
- 33-0165RK Filter, Millipore, PTFE, Disc type, Hydrophobic (New standard as of June 2002, most versions)
- 49-1140RK Batteries, size D, alkaline (instrument requires 4)
- 80-0131RK-10 Probe, 10", hydrophobic (standard gases and some super toxic versions only)
- or
- 80-0132RK-10 Probe, 10", hydrophobic, for some super toxic versions (not for F2, HF, or O3)

### Ni-Cad Batteries

To order an EAGLE with Ni-Cad batteries and 115VAC charger, order part number 49-2150RK-01 at \$160.00 along with your instrument. This part number includes the charger and the batteries. To add Ni-Cads and charger to an EAGLE you already have, please order the batteries and charger separately (see Optional Accessories).



### Data logging

No longer available for the EAGLE.

### Methane Elimination Switch

All EAGLES with a catalytic hydrocarbon sensor have an internal Methane elimination switch, for environmental applications. (This switch is not operable for instruments calibrated to Methane). If desired, this feature can be brought out to an EXTERNAL switch. For an EXTERNAL switch to be added, please specify part number 75-0001RK (\$95.00) with your order.

### Extra Loud Buzzer

An extra loud buzzer can be installed in any EAGLE for use in high noise areas. This buzzer is 90 db @ 2'. To add, use part number 52-1017RK-01 when ordering instruments, \$85.00. (NOTE: This buzzer cannot be added to an EAGLE that also has data logging added).

### Standard Internal Hydrophobic Filter (Millipore)

Almost all versions of the EAGLE are equipped as standard with a Millipore hydrophobic filter (part # 33-0165RK) inside the unit. For customers with particularly dusty applications, or for those who want a larger filter, use the High Capacity Hydrophobic / Dust Filter detailed below.

### High Capacity Hydrophobic / Dust Filters (AcroPac)

A special high capacity hydrophobic & dust filter (Part # 33-0171RK) is available for the EAGLE. To purchase an EAGLE with the AcroPac filter installed, add part number 33-0171RK-01 to your order. This filter is large and can only be used in an EAGLE with LEL/O2/H2S/CO and no super-toxics, or an EAGLE that has super-toxic sensors but no sensors for LEL/O2/H2S/CO.



# EAGLE Portable Series

## CO2 Ranges

All EAGLEs configured with a Carbon Dioxide channel will have a part number suffix, -XX, which indicates one of the 5 available Carbon Dioxide ranges:

### CO2 Ranges

Range			Part # Suffix	
0	-	5,000	ppm	-01
0	-	10,000	ppm	-02
0	-	5	%	-03
0	-	20	%	-04*
0	-	60	%	-05*

\*Note: Some EAGLE configurations do not support the 0-20% and 0-60% CO2 ranges, consult RKI Instruments, Inc.

Please specify the desired suffix or range when ordering. Pricing is the same for all ranges.

## LEL Calibration Note

Standard factory calibration of LEL / PPM ranges is to Methane (calibration to hexane, isobutane, or other gases is optional). For units provided with an external Methane elimination switch, calibration is to hexane.

**Please specify calibration when placing orders, if calibration to something besides methane is desired.**

## Special Notes For Super toxic EAGLES

Some SUPER TOXIC gas versions have longer lead times than others. Please confirm availability of the SUPER TOXIC versions, or any versions, if delivery time is critical.

## Probes and Hoses for Super toxic EAGLES

Note that due to absorption issues some versions with super toxic sensors (Br2, ClO2, F2, HCl, HF, and O3) have different hose fittings than the standard 4 gas units. These versions also are supplied with only 3' of teflon tubing as standard, and some versions (F2, HF, and O3) cannot be used with a probe due to absorption, so they will come without a probe.

## Impractical Toxic Gas Combinations

Some combinations of gases are not practical in the same EAGLE due to interference issues. If you do not see the combination you want in the price list, please consult the factory. Please see below for BAD combinations (not practical) or combinations which require special attention.

### Impractical Combinations

A.	H2S / PH3 or H2S / AsH3
B.	H2S / ClO2
C.	H2S / NO2
D.	H2 / CO
E.	SiH4 / H2S
F.	SO2 with ES-K233 Sensor (Cl2 / HCl / HF / F2 / Br2 / O3) (Other sensor versions available to substitute for Cl2, or HCl. Consult Factory)
G.	HCN / H2S
H.	NO / SO2
I.	NO / AsH3
J.	SO2 / NH3
K.	30% Volume HC / CO
L.	CO / H2S 0 - 1,000 ppm

# EAGLE Portable Series

## SPECIAL ATTENTION COMBINATIONS

Listed below are some gas combinations that can be installed into one EAGLE, but that have limitations of operations that must be discussed and understood by the customer prior to purchase. Some have special filters installed for improved specificity.

### Special Attention Combinations

A.	H <sub>2</sub> S / SO <sub>2</sub>
B.	NO / CO
C.	Cl <sub>2</sub> / NH <sub>3</sub>
D.	Cl <sub>2</sub> / AsH <sub>3</sub>
E.	SiH <sub>4</sub> / NO <sub>2</sub>
F.	Cl <sub>2</sub> or HF / HCN
G.	H <sub>2</sub> S / NH <sub>3</sub>
H.	HCl / NO
I.	H <sub>2</sub> S / NO
J.	AsH <sub>3</sub> / HCN
K.	AsH <sub>3</sub> / CO
L.	AsH <sub>3</sub> / HCl
M.	SO <sub>2</sub> / NO <sub>2</sub>
N.	HCl / HCN
O.	HCl / PH <sub>3</sub>
P.	H <sub>2</sub> S / O <sub>3</sub>
Q.	H <sub>2</sub> S / Cl <sub>2</sub>
R.	NO <sub>2</sub> / NH <sub>3</sub>



# EAGLE Portable Series

## Single Gas Models

<b>Part#</b>	<b>Description</b>	<b>Suggested Retail</b>
72-5101RK-TR1	EAGLE for Hydrogen (H2), 0 - 5% volume, for transformer gas testing, with bag & dilution fitting .....	2,000.00
72-5101RK-TRB	EAGLE for Hydrogen (H2), 0 - 5% volume, for transformer testing, 2 pumps .....	2,395.00
72-5103RK-01	EAGLE for Hydrogen Sulfide (H2S), 0 - 1.00 ppm .....	2,300.00
72-5103RK-1000	EAGLE for high range H2S, 0 - 1000 ppm .....	2,000.00
72-5106RK	EAGLE for Chlorine (Cl2), 0 - 3 ppm .....	2,350.00
72-5107RK	EAGLE for Arsine (AsH3), 0 - 1.00 ppm .....	2,350.00
72-5107RKS	EAGLE for Arsine (AsH3), 0 - 0.200 ppm.....	2,350.00
72-5108RK	EAGLE for Phosphine (PH3), 0 - 1.00 ppm .....	2,350.00
72-5109RK	EAGLE for Ozone (O3) (no probe), 0 - 1 ppm.....	2,350.00
72-5110RK	EAGLE for Hydrogen Chloride (HCl), 0 - 15 ppm .....	2,350.00
72-5111RK	EAGLE for Ammonia (NH3), 0 - 75 ppm .....	2,350.00
72-5111RK-01	EAGLE for Ammonia (NH3), 0 - 200 ppm .....	2,350.00
72-5112RK	EAGLE for Hydrogen Fluoride (HF) (no probe), 0 - 9 ppm.....	2,350.00
72-5113RK	EAGLE for Nitric Oxide (NO), 0 - 100 ppm .....	2,350.00
72-5114RK	EAGLE for Nitrogen Dioxide (NO2), 0 - 15 ppm.....	2,350.00
72-5115RK-XX	EAGLE for Carbon Dioxide (CO2) (specify CO2 range) .....	2,300.00
72-5116RK	EAGLE for Hydrogen Bromide (HBr), 0 - 9 ppm .....	2,350.00
72-5117RK	EAGLE for Silane (SiH4), 0 - 15 ppm, with ES-23DH sensor, with H2 response.....	2,350.00
72-5117RK-23AH	EAGLE for Silane (SiH4), 0 - 15 ppm, with ES-23AH sensor, no H2 response .....	2,350.00
72-5118RK	EAGLE for Chlorine Dioxide (ClO2), 0 - 1 ppm (also detects chlorine) .....	2,350.00
72-5119RK	EAGLE for Fluorine (F2), 0 - 3 ppm (no probe) .....	2,350.00
72-5122RK	EAGLE for Bromine (Br2), 0 - 1 ppm .....	2,350.00
72-5123RK	EAGLE for Hydrogen Cyanide (HCN), 0 - 30 ppm .....	2,350.00
72-5124RK	EAGLE for Hydrogen Peroxide (H2O2), 0 - 3.0 ppm, (no probe) .....	2,350.00
72-5125RK	EAGLE for Hydrogen Selenide (H2Se), 0 - 0.2 ppm, (no probe) .....	2,350.00
72-5126RK	EAGLE for Hydrazine (N2H4), 0 - 5 ppm.....	2,350.00
72-5130	EAGLE for Iodine (I2), 0 - 1.00 ppm .....	2,350.00
72-5132	EAGLE for Hydrogen Iodide (HI), 0 - 5.00 ppm .....	2,350.00

### Instrument Price Includes

See "All EAGLE Instrument Prices Include" on page 75.

## Calibration Kits

<b>Instrument #</b>	<b>Cal-Kit Part #</b>	<b>Cal-Kit Description</b>	<b>Price</b>
72-5101RK	81-5101RK	Cal kit, EAGLE/EAGLE 2, 103L steel cyl 50% LEL Methane/Air, dem flow reg, case & tubing	495.00
	81-5101RK-LV	Cal kit, EAGLE, 34L cyl 50% LEL Methane/Air, disp valve, sample bag, case & tubing	210.00
72-5102RK	81-5102RK-LV	Cal kit, EAGLE, 34L cyl 100% N2, disp valve, gas bag, case & tubing	210.00

For additional cal kits see page 131

# EAGLE Portable Series

## Two Gas Models

<b>Part#</b>	<b>Description</b>	<b>Suggested Retail</b>
72-5201RK-TR1	EAGLE for H2 (0 - 5%) / O2, for transformer gas testing, with sample bag & dilution fitting	2,125.00
72-5201RK-TRB	EAGLE for H2 (0 - 5%) / O2, for transformer gas testing, with 2 pumps	2,500.00
72-5206RK	EAGLE for O2 / B2H6	2,550.00
72-5208RK	EAGLE for HCl / PH3 (with HCl filter)	3,100.00
72-5209RK	EAGLE for CO / Cl2	2,550.00
72-5210RK	EAGLE for LEL & PPM / NH3	2,550.00
72-5211RK	EAGLE for Cl2 / NH3	3,100.00
72-5212RK	EAGLE for NH3 / SiH4	3,100.00
72-5213RK	EAGLE for Cl2 / SiH4	3,100.00
72-5214RK	EAGLE for O2 / PH3, 0 - 1.00 ppm	2,550.00
72-5215RK	EAGLE for NH3 / PH3	3,100.00
72-5218RK	EAGLE for HCl / SiH4	3,100.00
72-5219RK	EAGLE for HBr / HCl, (HBr sensor also responds to HCl)	3,100.00
72-5220RK	EAGLE for O2 / Cl2	2,550.00
72-5227RKS	EAGLE for AsH3 0 - 0.200 ppm / HF (no probe)	3,100.00
72-5228RK	EAGLE for NO / NO2	3,100.00
72-5229RK	EAGLE for SO2 / Cl2 (E3-23AH-D-CL2)	3,100.00
72-5230RK	EAGLE for HF / SiH4 (no probe)	3,100.00
72-5231RK	EAGLE for O2 / NO	2,550.00
72-5232RK	EAGLE for HF / HCN (no probe)	3,100.00
72-5233RK	EAGLE for O3 / HCl (no probe)	3,100.00
72-5240RK	EAGLE for HCl / NH3	3,100.00
72-5241RK	EAGLE for HCl / AsH3 0 - 1.00 ppm (with HCl scrubber)	3,100.00
72-5241RKS	EAGLE for HCl / AsH3 0 - 0.200 ppm (with HCl scrubber)	3,100.00
72-5242RK	EAGLE for HCl / NO2	3,100.00
72-5244RK	EAGLE for SO2 / NO2	3,100.00
72-5246RK	EAGLE for LEL & PPM / F2, (no probe)	2,550.00
72-5247RK	EAGLE for Hydrogen Iodide (HI) / Iodine (I2)	3,100.00
72-5248RK	EAGLE for CO / PH3	2,550.00
72-5250RK	EAGLE for HF / HBr (no probe)	3,100.00
72-5251RK	EAGLE for LEL & PPM / O3 (no probe)	2,550.00
72-5252RK-XX	EAGLE for O3 / CO2 (specify CO2 range)	3,150.00
72-5253RK	EAGLE for O3 / NO (no probe)	3,100.00
72-5255RK	EAGLE for O2 / HCl	2,550.00
72-5256RK	EAGLE for NH3 / O3 (no probe)	3,100.00
72-5257RKS	EAGLE for NH3 / AsH3	3,100.00
72-5258RK	EAGLE for HCl / NO (with G92 filter)	3,100.00
72-5260RK	EAGLE for LEL & PPM / PH3	2,550.00
72-5261RK	EAGLE for LEL & PPM / HF	2,550.00
72-5262RK	EAGLE for LEL & PPM / AsH3 (0 - 1.0 ppm)	2,550.00
72-5263RK	EAGLE for LEL & PPM / H2S (0 - 1.0 ppm)	3,000.00
72-5264RK	EAGLE for HF / NO (no probe), with G-92 filter	3,100.00
72-5266RK	EAGLE for HCl / Cl2	3,100.00
72-5266RK-01	EAGLE for HCl (ES-23E) / Cl2 (ES-239B)	3,100.00
72-5267RK-XX	EAGLE for NO / CO2 (specify CO2 range)	3,150.00
72-5269RK	EAGLE for O3 / NO2 (no probe)	3,100.00
72-5270RK	EAGLE for O2 / O3, no probe	2,550.00
72-5271RK	EAGLE for O2 / ClO2 (0 - 1 ppm)	2,550.00
72-5274RK	EAGLE for HBr / Cl2	3,100.00
72-5275RK-XX	EAGLE for AsH3 / CO2 (specify CO2 range)	3,000.00
72-5276RK	EAGLE for Cl2 / PH3 with internal G-92 filter	3,200.00
72-5278RK	EAGLE for LEL & PPM / CO (0 - 300 ppm) (H2 compensated CO sensor)	2,650.00
72-5287RK	EAGLE for O2 / Hydrazine (N2H4) 0 - 5 ppm	2,550.00
72-5288RK	EAGLE for NO2 / HCN	3,100.00
72-5293RK	EAGLE for F2 / HBr, (no probe)	3,000.00
72-5294RK	EAGLE for HF / NO2 (no probe)	3,100.00
72-5296RK	EAGLE for LEL & PPM / Cl2	2,550.00
72-5298RK	EAGLE for LEL & PPM / Diborane (B2H6)	2,550.00
72-5299RK	EAGLE for Fluorine (F2) / Silane (SiH4), with G-92 filter and (no probe)	3,200.00

# EAGLE Portable Series

## Calibration Kits

Instrument #	Cal-Kit Part #	Cal-Kit Description	Price
72-5201RK 72-5201RK-IR	81-5201RK	Cal kit, EAGLE, 103L steel cyl CH4/CO/O2, dem flow reg, case & tubing	495.00
	81-5201RK-HLV	Cal kit, EAGLE, 34L cyl CO/Hex/O2, disp valve, gas bag, case & tubing	210.00
	81-5201RK-LV	Cal kit, EAGLE, 34L cyl CH4/CO/O2, disp valve, gas bag, case & tubing	210.00
72-5201RK 72-5201RK-IR 72-5201RK-TT	81-5201RK-LV	Cal kit, EAGLE, 34L cyl CH4/CO/O2, disp valve, gas bag, case & tubing	210.00
72-5202RK	81-5202RK	Cal kit, EAGLE, 103 L cyl CH4/CO/O2, dem flow reg, case & tubing	495.00
	81-5202RK-LV	Cal kit, EAGLE, 34L cyl CH4/CO/O2, disp valve, gas bag, case & tubing	210.00
72-5203RK	81-5203RK	Cal kit, EAGLE, 58AL cyl H2S (25 ppm)/CO/CH4/O2, dem flow reg, case & tubing	535.00
	81-5203RK-LV	Cal kit, EAGLE, 34AL cyl H2S (25 ppm)/CO/CH4/O2, reg with gauge & knob, gas bag, case & tubing	415.00

### **Instrument Price Includes**

See "All EAGLE Instrument Prices Include" on page 75

For additional cal kits see page 132

For additional cal kits see page 132

# EAGLE Portable Series

## Three Gas Models

<b>Part#</b>	<b>Description</b>	<b>Suggested Retail</b>
72-5304RK	EAGLE for LEL & PPM / O2 / AsH3,0 - 1.00 ppm .....	2,850.00
72-5304RKS	EAGLE for LEL & PPM / O2 / AsH3,0 - 0.200 ppm .....	2,850.00
72-5305RK	EAGLE for LEL & PPM / O2 / PH3 .....	2,850.00
72-5306RK	EAGLE for LEL & PPM / O2 / O3 (no probe) .....	2,850.00
72-5308RK	EAGLE for LEL & PPM / O2 / Cl2 .....	2,850.00
72-5309RK	EAGLE for LEL & PPM / NO / SO2 .....	3,450.00
72-5310RK	EAGLE for LEL & PPM / O2 / HF (no probe) .....	2,850.00
72-5311RK	EAGLE for LEL & PPM / O2 / HCl .....	2,850.00
72-5312RK	EAGLE for O2 / CO / NO2 .....	2,850.00
72-5313RK	EAGLE for LEL & PPM / Cl2 / PH3 .....	3,450.00
72-5319RK	EAGLE for LEL & PPM / CO / O3 (no probe) .....	2,850.00
72-5320RK	EAGLE for LEL & PPM / O2 / HCN .....	2,850.00
72-5323RK	EAGLE for LEL & PPM / CO / HCl .....	2,850.00
72-5331RK	EAGLE for LEL & PPM / NO2 / SO2 .....	3,450.00
72-5334RK	EAGLE for LEL & PPM / O2 / NO2 .....	2,850.00
72-5339RK	EAGLE for O2 / HCl / HBr (no probe. HBr sensor also responds to HCl) .....	3,450.00
72-5341RK	EAGLE for LEL & PPM / Cl2 / NH3 .....	3,450.00
72-5342RK	EAGLE for CO / Cl2 / NH3 .....	3,450.00
72-5344RKS	EAGLE for LEL & PPM / Cl2 / AsH3 .....	3,450.00
72-5345RK	EAGLE for LEL & PPM / O2 / SiH4 (23AH) .....	2,850.00
72-5346RK-XX	EAGLE for CO / NO / CO2 (specify CO2 range) .....	3,500.00
72-5348RK	EAGLE for CH4 (100% LEL / 100% volume (IR) autoranging) / O2 / HF (no probe) .....	3,500.00
72-5349RKS	EAGLE for LEL & PPM / NH3 / AsH3 (0 - 0.2 ppm) .....	3,450.00
72-5352RK	EAGLE for CO / O3 / NO2 (no probe) .....	3,450.00
72-5358RK	EAGLE for O2 / HF / O3, (no probe) .....	3,450.00
72-5361RK	EAGLE for O2 / CO / O3 .....	2,850.00
72-5362RK	EAGLE for CO / SO2 (with ES-23E sensor) / NO2, no H2S scrubber .....	3,450.00
72-5367RK	EAGLE for LEL & PPM / O2 / CO (0 - 300 ppm) with H2 compensation.....	2,850.00
72-5368RK	EAGLE for O2 / NO2 / SO2 (0 - 15 ppm, ES-23E sensor).....	3,450.00
72-5370RK	EAGLE for LEL & PPM / HCl / Cl2.....	3,450.00
72-5372RK	EAGLE for O2 / HCl / SiH4 .....	3,450.00
72-5373RK-XX	EAGLE for LEL & PPM / AsH3 (1.0 ppm) / CO2 (specify CO2 range) .....	3,500.00
72-5376RK	EAGLE for LEL & PPM / B2H6 / PH3 .....	3,450.00
72-5377RK-XX	EAGLE for CO / NO2 / CO2 (specify CO2 range).....	3,500.00
72-5380RK-01	EAGLE for O2 / HF / AsH3 (0 - 2.0 ppm), (no probe) .....	3,450.00
72-5380RKS	EAGLE for O2 / HF / AsH3 (0 - 0.2 ppm), with external G-92 filter and (no probe) .....	3,500.00
72-5382RK	EAGLE for H2S / HCl / NH3 .....	3,450.00
72-5383RK	EAGLE for O2 / O3 / NH3 .....	3,450.00
72-5385RK	EAGLE for LEL & PPM / B2H6 / SiH4 .....	3,450.00
72-5386RKS	EAGLE for LEL & PPM / HF / AsH3 (0 - 0.2 ppm) (no probe) .....	3,450.00
72-5388RK	EAGLE for HC (100% LEL / 30% volume (IR) autoranging) / O2 / Cl2 .....	3,500.00
72-5390RK	EAGLE for CH4 (100% LEL / 100% volume (IR) autoranging) / O2 / HCl .....	3,500.00
72-5391RK	EAGLE for LEL & PPM / CO / Cl2 .....	2,850.00
72-5392RK	EAGLE for O2 / H2S / HCl .....	2,850.00
72-5393RK-XX	EAGLE for O2 / NO2 / CO2 (specify CO2 range).....	3,500.00

## Calibration Kits

<b>Instrument #</b>	<b>Cal-Kit Part #</b>	<b>Cal-Kit Description</b>	<b>Price</b>
72-5301RK	81-5301RK	Cal kit, EAGLE, 58AL cyl H2S/CO/CH4/O2, dem flow reg, case & tubing	535.00
	81-5301RK-LV	Cal kit, EAGLE, 34AL cyl H2S/CO/CH4/O2, reg with gauge & knob, gas bag, case & tubing	415.00
72-5302RK	81-5302RK	Cal kit, EAGLE, 103L steel cyl CO/CH4/O2, dem flow reg, case & tubing	495.00
	81-5302RK-LV	Cal kit, EAGLE, 34L cyl CO/CH4/O2, disp valve, gas bag, case & tubing	210.00

### Instrument Price Includes

See "All EAGLE Instrument Prices Include" on page 75.

# EAGLE Portable Series

## Four Gas Models

Part#	Description	Suggested Retail
72-5404RK	EAGLE for LEL & PPM / O2 / H2S / Cl2 .....	3,000.00
72-5405RK	EAGLE for LEL & PPM / O2 / CO / Cl2 .....	3,000.00
72-5406RK	EAGLE for LEL & PPM / O2 / Cl2 / NH3 .....	3,600.00
72-5407RK	EAGLE for O2 / CO / Cl2 / NH3 .....	3,600.00
72-5408RK	EAGLE for LEL & PPM / O2 / PH3 / NH3 .....	3,600.00
72-5409RK	EAGLE for LEL & PPM / O2 / O3 / HNO3 (no probe) .....	3,600.00
72-5410RK	EAGLE for LEL & PPM / O2 / H2S / NH3 .....	2,950.00
72-5413RK	EAGLE for LEL & PPM / O2 / AsH3 / HF (no probe).....	3,600.00
72-5414RK	EAGLE for LEL & PPM / O2 / CO / NO2 .....	2,950.00
72-5415RK	EAGLE for LEL & PPM / O2 / CO / NO (with scrubber for NO sensor) .....	3,000.00
72-5417RK	EAGLE for LEL & PPM / O2 / CO / HF (no probe) .....	3,000.00
72-5418RK	EAGLE for LEL & PPM / O2 / CO / O3 (no probe) .....	2,950.00
72-5419RK	EAGLE for LEL & PPM / O2 / Cl2 / PH3 .....	3,600.00
72-5420RK	EAGLE for LEL & PPM / O2 / HF / NH3 (no probe) .....	3,600.00
72-5421RK	EAGLE for LEL & PPM / O2 / CO / HCl .....	2,950.00
72-5422RK	EAGLE for LEL & PPM / O2 / Cl2 / SO2 (E3-23AH-CL2) .....	3,600.00
72-5423RK	EAGLE for LEL & PPM / CO / H2S / NO (with scrubber for NO sensor) .....	3,050.00
72-5424RK	EAGLE for LEL & PPM / O2 / HCl / SiH4 .....	3,600.00
72-5425RK	EAGLE for LEL & PPM / O2 / NH3 / NO2 .....	3,600.00
72-5426RK	EAGLE for O2 / H2S / HCl / NH3 .....	3,600.00
72-5427RK	EAGLE for LEL & PPM / O2 / CO / PH3 .....	2,950.00
72-5429RK	EAGLE for LEL & PPM / O2 / HCl / NH3 .....	3,600.00
72-5432RK	EAGLE for LEL & PPM / O2 / O3 / Cl2 (no probe), (O3 & Cl2 cross interference) .....	3,600.00
72-5433RK	EAGLE for LEL & PPM / O2 / NH3 / SiH4 .....	3,600.00
72-5435RK	EAGLE for LEL & PPM / O2 / O3 / HCl (no probe) (O3 & HCl cross interference) .....	3,600.00
72-5436RK	EAGLE for LEL & PPM / CO / NH3 / HF (no probe) .....	3,600.00
72-5440RK	EAGLE for LEL & PPM / O2 / HCl / PH3 .....	3,600.00
72-5443RK	EAGLE for LEL & PPM / O2 / H2S / HF (no probe) .....	2,950.00
72-5444RK	EAGLE for O2 / CO / NO2 / HCN .....	3,600.00
72-5445RK	EAGLE for LEL & PPM O2 / CO / HF / NH3 (no probe) .....	3,600.00
72-5446RK-XX	EAGLE for LEL & PPM / O2 / HCl / CO2 (specify CO2 range) .....	3,650.00
72-5447RK-XX	EAGLE for LEL & PPM / O2 / Cl2 / CO2 (specify CO2 range) .....	3,650.00
72-5449RK	EAGLE for LEL & PPM / O2 / HCl / HCN .....	3,600.00
72-5458RK	EAGLE for LEL & PPM / O2 / H2S / O3 (no probe) .....	2,950.00
72-5460RK-XX	EAGLE for O2 / CO / NO2 / CO2 (specify CO2 range).....	3,650.00
72-5461RK	EAGLE for LEL & PPM / O2 / HCl / AsH3 (0 - 1.0 ppm) .....	3,600.00
72-5461RKS	EAGLE for LEL & PPM / O2 / HCl / AsH3 (0 - 0.2 ppm) .....	3,600.00
72-5462RK	EAGLE for LEL & PPM / O2 / NO / HCl.....	3,600.00
72-5465RK	EAGLE for LEL & PPM / O2 / HF / SiH4 (no probe) .....	3,650.00
72-5466RK	EAGLE for LEL & PPM / O2 / SiH4 / NO2 .....	3,600.00
72-5467RK	EAGLE for LEL & PPM / O2 / B2H6 / F2 (no probe).....	3,600.00
72-5470RK	EAGLE for LEL & PPM / O2 / AsH3 / SO2.....	3,600.00
72-5471RK-01	EAGLE for LEL & PPM / O2 / PH3 / SiH4 with ES-23AH sensor .....	3,600.00
72-5473RK	EAGLE for LEL & PPM / O2 / CO / ClO2 .....	2,950.00
72-5475RK	EAGLE for LEL & PPM / O2 / H2S / NO (with H2S scrubber) .....	2,950.00
72-5476RK	EAGLE for LEL & PPM / O2 / SO2 (0 - 15 ppm) / NO2,with H2S scrubber .....	3,600.00
72-5477RK-XX	EAGLE for LEL & PPM / O2 / O3 / CO2 (specify CO2 range) .....	3,650.00
72-5478RK	EAGLE for LEL & PPM / O2 / CO / H2S, with H2 compensated CO sensor.....	2,950.00
72-5479RK	EAGLE for LEL / % volume CH4 (IR autoranging) / O2/ CO / O3 .....	3,650.00
72-5480RK	EAGLE for LEL & PPM / O2 / B2H6 / NO2 (no probe) .....	3,600.00
72-5481RK	EAGLE for LEL & PPM / O2 / HF / NO (no probe), with external G-92 filter .....	3,700.00
72-5482RK	EAGLE for CO / H2S / Cl2 / NH3 .....	3,600.00
72-5483RK	EAGLE for LEL & PPM / CO / O3 / NO2 (no probe) .....	3,600.00
72-5485RKS	EAGLE for LEL & PPM / O2 / CO / AsH3 (0 -2 ppm) .....	2,950.00
72-5486RKS	EAGLE for LEL & PPM / O2 / Cl2 / AsH3 (0 - 0.2 ppm), with external G-92 filter .....	3,700.00
72-5488RK	EAGLE for LEL & PPM / O2 / HCN / PH3, with external G-92 filter .....	3,700.00
72-5490RK	EAGLE for CH4 (100% LEL / 100% volume (IR) autoranging) / O2 / CO / AsH3 (0 - 1 ppm), with external G-92 filter .....	3,750.00
72-5491RK-XX	EAGLE for LEL & PPM / O2 / ClO2 / CO2 (specify CO2 range) .....	3,650.00

# EAGLE Portable Series

## Four Gas Models

<b>Part#</b>	<b>Description</b>	<b>Suggested Retail</b>
72-5495RK	EAGLE for LEL & PPM / O2 / F2 / SiH4 with external G-92 filter (no probe)	3,700.00
72-5496RK	EAGLE for LEL & PPM (catalytic) / 100% volume CH4 (IR sensor) / O2 / CO (H2 compensated)	3,750.00
72-5497RK	EAGLE for LEL & PPM / O2 / HCl (ES-23E sensor) / Cl2 (ES-239B sensor)	3,600.00
72-5498RKS	EAGLE for LEL & PPM / O2 / O3 / ASH3 (0 - 0.2 ppm) with external G-92 filter	3,700.00
72-5499RKS	EAGLE for LEL & PPM / O2 / ASH3 (0 - 0.2 ppm) / NH3	3,550.00

## Five Gas Models

<b>Part#</b>	<b>Description</b>	<b>Suggested Retail</b>
72-5502RK	EAGLE for LEL & PPM / O2 / CO / H2S / Cl2	3,100.00
72-5506RK	EAGLE for LEL & PPM / O2 / CO / Cl2 / NH3	3,850.00
72-5508RK	EAGLE for LEL & PPM / O2 / CO / H2S / HCl	3,100.00
72-5509RK	EAGLE for LEL & PPM / O2 / CO / H2S / O3 (no probe)	3,100.00
72-5512RK	EAGLE for LEL & PPM / O2 / H2S / HF / NH3 (no probe)	3,850.00
72-5513RK-XX	EAGLE for LEL & PPM / O2 / CO / NO2 / CO2 (specify CO2 range)	3,900.00
72-5514RK	EAGLE for LEL & PPM / O2 / CO / HCl / NH3	3,850.00
72-5515RK	EAGLE for LEL & PPM / O2 / CO / HCl / AsH3 (0 - 1.0 ppm)	3,850.00
72-5515RKS	EAGLE for LEL & PPM / O2 / CO / HCl / AsH3 (0 - 0.2 ppm)	3,850.00
72-5518RK	EAGLE for LEL & PPM / O2 / CO / HCN / AsH3 (0 - 1.0 ppm)	3,850.00
72-5520RK-03	EAGLE for LEL / O2 / CO / CO2 (0 - 5%) / NH3	3,900.00
72-5521RK-XX	EAGLE for LEL & PPM / O2 / CO / CO2 / PH3 (specify CO2 range)	3,900.00
72-5523RK-XX	EAGLE for LEL & PPM / O2 / H2S / CO2 / NH3 (specify CO2 range)	3,900.00
72-5524RK	EAGLE for LEL & PPM / O2 / CO / HCl / PH3	3,850.00
72-5525RK	EAGLE for LEL & PPM / O2 / CO / H2S / HF (no probe)	3,100.00
72-5526RK	EAGLE for LEL & PPM / O2 / H2S / NH3 / Cl2 (E3-23AH-CL2)	3,850.00
72-5527RK-XX	EAGLE for LEL & PPM / O2 / CO / Cl2 / CO2 (specify CO2 range)	3,900.00
72-5528RK	EAGLE for LEL & PPM / O2 / CO / NH3 / PH3	3,850.00
72-5529RK	EAGLE for LEL & PPM / O2 / CO / H2S / F2 (no probe)	3,100.00
72-5531RK	EAGLE for O2 / CO / H2S / HF / NH3 (no probe)	3,850.00
72-5532RK	EAGLE for LEL & PPM / O2 / CO / NO2 / HF (no probe)	3,850.00
72-5534RK-XX	EAGLE for LEL & PPM / O2 / CO / AsH3 / CO2 (specify CO2 range)	3,900.00
72-5535RK	EAGLE for LEL & PPM / O2 / CO / O3 / HCN (no probe)	3,850.00
72-5536RK	EAGLE for LEL & PPM / O2 / CO / HF / NH3, (no probe)	3,850.00
72-5539RK	EAGLE for LEL & PPM / O2 / CO / Cl2 / SiH4	3,850.00
72-5540RKS	EAGLE for LEL & PPM / O2 / CO / AsH3 (0 - 0.2 ppm) / NH3	3,850.00
72-5541RK	EAGLE for LEL & PPM / O2 / CO / HCl / B2H6	3,850.00
72-5542RK	EAGLE for LEL & PPM / O2 / CO / HF / HCN (no probe)	3,850.00
72-5543RK	EAGLE for LEL & PPM / O2 / CO / HCl / SO2 with external H2S scrubber	4,000.00
72-5544RK	EAGLE for LEL & PPM / O2 / CO / NO2 / SO2 (ES-23E sensor) with external H2S scrubber	4,000.00
72-5545RK	EAGLE for LEL & PPM / O2 / CO / O3 / NO2 (no probe)	3,950.00
72-5546RK	EAGLE for LEL & PPM / O2 / CO / HBr / Br2	3,850.00
72-5549RK	EAGLE for LEL & PPM / O2 / H2S / O3 / HNO3 (no probe)	3,850.00
72-5552RK	EAGLE for LEL & PPM / O2 / CO / HF / GeH4 (no probe)	3,850.00
72-5553RK-XX	EAGLE for LEL & PPM / O2 / CO / NO / CO2 (specify CO2 range) with 3 gas block & internal charcoal / purafil scrubber	3,900.00
72-5554RK-XX	EAGLE for LEL & PPM / O2 / CO / H2S (0 - 1 ppm) / CO2 (specify CO2 range)	3,900.00

### Instrument Price Includes

See "All EAGLE Instrument Prices Include" on page 75.

# EAGLE Portable Series

## Six Gas Models

<b>Part#</b>	<b>Description</b>	<b>Suggested Retail</b>
72-5601RK	EAGLE for LEL & PPM / O2 / CO / H2S / Cl2 / NH3 .....	4,000.00
72-5602RK	EAGLE for LEL & PPM / O2 / CO / H2S / HCl / NH3 .....	4,000.00
72-5607RK	EAGLE for LEL & PPM / O2 / CO / H2S / HF / NH3 (no probe) .....	4,000.00
72-5612RK-XX	EAGLE for LEL & PPM / O2 / CO / H2S / Cl2 / CO2 (specify CO2 range).....	4,050.00
72-5613RK-OS	EAGLE for LEL & PPM / O2 / CO / H2S / ClO2 / SO2 (with external H2S scrubber) .....	4,100.00
72-5618RK	EAGLE for LEL & PPM / O2 / CO / HS / HF / Cl2 (no probe) .....	4,000.00
72-5619RK	EAGLE for LEL & PPM / O2 / CO / H2S / HBr / NH3 .....	4,000.00
72-5620RK-XX	EAGLE for LEL & PPM / O2 / CO / H2S / HCl / CO2 (with external H2S scrubber) (Specify CO2 range) ...	4,050.00
72-5621RK	EAGLE for LEL & PPM / O2 / CO / H2S / Cl2 (ES-K239B sensor) / SO2 (with external H2S scrubber) .....	4,100.00
72-5624RK	EAGLE for LEL & PPM / O2 / CO / H2S / O3 / NH3 (no probe) .....	4,000.00

### **Instrument Price Includes**

See "All EAGLE Instrument Prices Include" on page 75.

For additional cal kits see page 138.

# EAGLE Portable Series

## EAGLE Replacement Sensors

NOTE: Different EAGLE toxic sensors are available for the same gas in some cases. **When ordering replacement sensors, it is essential to get the sensor type numbers off the old sensor**, or else the incorrect sensor may be purchased. Different sensor types, or gas types, are not interchangeable without also changing the amplifier board and possibly other hardware.

### Standard 4 Gas Sensors

Part#	Description	Suggested Retail
62-0125RK	Sensor, LEL / ppm Hydrocarbon (NC-6260), EAGLE standard catalytic sensor	200.00
65-0601RK	Sensor, Oxygen (O2) (OS-B3), for EAGLE, EAGLE 2, or RX-415	160.00
65-2005RK	Sensor, Carbon Monoxide (CO), 0 - 500 ppm range, EAGLE/EAGLE 2	195.00
65-2035RK	Sensor, Hydrogen Sulfide (H2S), 0 - 100 ppm range, EAGLE (standard H2S sensor)	195.00
ES-87RW-H2S	Sensor, Hydrogen Sulfide (H2S), 0 - 100 ppm range, EAGLE 2 standard, EAGLE marine versions	195.00

### Toxic Gas Sensors

Part#	Description	Suggested Retail
65-2009RK	Sensor, Carbon Monoxide (CO) sensor, H2 compensated, EAGLE	500.00
ES-23-CO	Sensor, Carbon Monoxide (CO), large, 0 - 150 ppm range	465.00
ES-237-H2S	Sensor, Hydrogen Sulfide (H2S), 0 - 30 ppm range	465.00
ES-238-SO2	Sensor, Sulfur Dioxide (SO2), new style, 0 - 10 ppm (or 0 - 6 ppm) range	465.00
ES-23A-NO	Sensor, Nitric Oxide (NO) 0 - 100 ppm range	465.00
ES-23AH-B2H6	Sensor, Diborane (B2H6) 0 - 30 ppm range	465.00
ES-23AH-D-CL2	Sensor, Chlorine Dioxide (ClO2), 0-3 ppm range, GD-K8	465.00
ES-23AH-H2S	Sensor, Hydrogen Sulfide (H2S), 0 - 1.00 ppm range	465.00
ES-23AH-NO2	Sensor, Nitrogen Dioxide (NO2) 0 - 15 ppm range	465.00
ES-23AH-O3	Sensor, Ozone (O3) 0 - 5.00 ppm range (old style)	465.00
ES-23AH-PH3	Sensor, Phosphine (PH3) 0 - 1.00 ppm range (no H2 response)	465.00
ES-23AH-SiH4	Sensor, Silane (SiH4) 0 - 15 ppm range, old style (no H2 response)	465.00
ES-23AHS-ASH3	Sensor, Arsine (AsH3) 0 - 0.20 ppm range or 0 - 1.00 ppm range	465.00
ES-23AY-B2H6	Sensor, Diborane (B2H6) 0 - 0.30 ppm range	465.00
ES-23DH-H2O2	Sensor, Hydrogen Peroxide (H2O2), 0-3 PPM, GD-K8	465.00
ES-23DH-HCN	Sensor, Hydrogen Cyanide (HCN) 0 - 30 ppm range	465.00
ES-23DH-SiH4	Sensor, Silane (SiH4) 0 - 15 ppm range, new style (with H2 response)	465.00
ES-23E-HBR	Sensor, Hydrogen Bromide (HBr) 0 - 9.00 ppm range	465.00
ES-23E-HCL	Sensor, Hydrogen Chloride (HCl), 0 - 15 ppm range, (no Cl2 response)	465.00
ES-23E-HI	Sensor, Hydrogen Iodide (HI), 0-5 ppm	465.00
ES-23E-N2H4	Sensor, Hydrazine (N2H4), 0 - 5 ppm range	465.00
ES-23E-SO2	Sensor, Sulfur Dioxide (SO2) 0 - 30 ppm range (or 0 - 15 ppm range)	465.00
ES-23R-NH3	Sensor, Ammonia (NH3), (new style) 0 - 75 ppm range, (higher range optional)	465.00
ES-23SD-H2SE	Sensor, Hydrogen Selenide (H2Se) 0 - 0.20 ppm range	465.00
ES-K233-BR2	Sensor, Bromine (Br2) 0 - 1.00 ppm range	465.00
ES-K233-Cl2	Sensor, Chlorine (Cl2) 0 - 3.00 ppm range (Family acid gas sensor)	465.00
ES-K233-F2	Sensor, Fluorine (F2) 0 - 3.00 ppm range	465.00
ES-K233-HCL	Sensor, Hydrogen Chloride (HCl) 0 - 15 ppm range (with Cl2 response)	465.00
ES-K233-HF	Sensor, Hydrogen Fluoride (HF) 0 - 9.00 ppm range	465.00
ES-K233-HNO3	Sensor, Nitric Acid (HNO3), 0 - 20 ppm	465.00
ES-K233-I2	Sensor, Iodine (I2), 0 - 1 ppm	465.00
ES-K239B-CL2	Sensor, Chlorine (Cl2), 0 - 3.00 ppm, H2S resistant	465.00
ES-K239C-O3	Sensor, Ozone (O3) 0-1 ppm, new style, replaces ES-K239-O3	465.00

### IR Sensors

Part#	Description	Suggested Retail
61-5025RK	IR sensor / pcb assembly, Methane (CH4), 0 - 100% LEL range, EAGLE	750.00
61-5020RK	IR sensor / pcb assembly, Methane (CH4), 0 - 100% LEL & 0 - 100% volume autoranging, EAGLE, DE-3113-3750.00	750.00
61-5021RK	IR sensor / pcb assembly, HC, 100 % LEL / 30% volume, autoranging, EAGLE, DE-3113-11	750.00
61-5011RK	IR sensor / pcb assembly, Carbon Dioxide (CO2), 0 - 5,000 ppm & 10,000 ppm range, EAGLE, DE-3113-2	750.00
61-5010RK	IR sensor / pcb assembly, Carbon Dioxide (CO2), 0 - 5% volume range, EAGLE, DE-3113-1	750.00
61-5012RK	IR sensor / pcb assembly, Carbon Dioxide (CO2), 0 - 20% & 60% volume range, EAGLE, DE-3113-6	750.00



# EAGLE Portable Series

## Calibration Equipment

<b>Part#</b>	<b>Description</b>	<b>Suggested Retail</b>
81-0012RK-01	Cylinder, CH4 50% LEL in air, 34L steel .....	55.00
81-0012RK-03	Cylinder, CH4 50% LEL/air, 103L steel .....	150.00
81-0064RK-01	Cylinder, CO 50 ppm in air, 34L steel .....	55.00
81-0064RK-03	Cylinder, CO 50 ppm in air, 103L steel .....	150.00
81-0090RK-01	Cylinder, CO 50 ppm / CH4 50% LEL / O2 12 % in N2, 34L steel .....	55.00
81-0090RK-03	Cylinder, CO 50 ppm / CH4 50% LEL / O2 12 % in N2, 103L steel .....	150.00
81-0142RK-02	Cylinder, SO2 5 ppm / H2S 25 ppm / CO 50 ppm / CH4 50% LEL / O2 12% in N2, 58AL .....	280.00
81-0142RK-04	Cylinder, SO2 5 ppm / H2S 25 ppm / CO 50 ppm / CH4 50% LEL / O2 12% in N2, 34AL .....	200.00
81-0151RK-02	Cylinder, H2S 25 ppm in N2, 58AL .....	150.00
81-0154RK-02	Cylinder, H2S 25 ppm / CO 50 ppm / CH4 50% LEL / O2 12% in N2, 58AL .....	190.00
81-0154RK-04	Cylinder, H2S 25 ppm / CO 50 ppm / CH4 50% LEL / O2 12% in N2, 34AL .....	160.00
81-0170RK-02	Cylinder, SO2 5 ppm in N2, 58AL .....	160.00
81-0175RK-02	Cylinder, NH3 10 ppm in N2, 58AL .....	300.00
81-0185RK-02	Cylinder, PH3 0.5 ppm in N2, 58AL .....	300.00
81-0192RK-02	Cylinder, Cl2 2 ppm in N2, 58AL .....	340.00
81-0195RK-02	Cylinder, HCl 5 ppm in N2, 58AL .....	340.00
81-1001RK	Dispensing valve, 17/34L, CGA 600 fitting .....	28.00
81-1051RK-60	Regulator, with gauge & knob, 34AL/58AL/103L/116L steel, 6.0 LPM, C-10 fitting .....	125.00
81-1054RK	Regulator, demand flow for 34AL/58AL/103L/116L cylinders .....	280.00
81-1055RK	Regulator, demand flow for 17L/34L steel steel cylinders .....	280.00
82-0006RK	Screwdriver, pot adjust, no logo .....	7.00

# EAGLE Portable Series

## EAGLE Replacement Parts and Accessories

<u>Part#</u>	<u>Description</u>	<u>Suggested Retail</u>
06-1273RK	Tubing, teflon, semi-rigid, for EAGLE inlet super toxic gas versions, (standard type, order by the foot, 3 ft max)	5.60
07-6020RK	O-ring for EAGLE probe	0.90
08-0077RK	E-6000 sealant (for replacing membrane switch)	8.00
13-0100RK	Shoulder Strap with RKI logo, EAGLE / EAGLE 2	30.00
17-0522RK	Exhaust fitting, 1/8" hose barb	10.00
17-0601RK	Rubber elbow for internal filter, EAGLE & others	2.00
17-4435-01	Bypass tee probe with 1641 male quick disconnect for Eagle purge sampling	16.00
17-4807RK	Inlet fitting, plastic for Br2/F2/HCl/HF/CLO2/O3 EAGLEs	4.00
20-0640RK	Carrying case, padded for EAGLE/EAGLE 2 & RX-415/RI-415, with space for instruments and accessories	360.00
20-0642RK	Carrying case, padded for EAGLE / EAGLE 2 instrument with space for calibration kit and accessories	520.00
29-5000RK	Label, Membrane Switch, EAGLE	16.00
30-0522RK	Inlet fitting, standard, metal, quick disconnect, female, EAGLE/1641/GX-4000A	38.00
30-0600RK-01	Pump, internal, with connector, EAGLE/EAGLE 2/RP-GX-94	195.00
30-0608RK	Pump rebuild kit, for 30-0600RK-01 (pump version 7.51.82) (current standard)	50.00
31-2050RK	Sensor, pressure differential for EAGLE, 0 - 10 mm H2O	32.00
33-0151RK	Hydrophobic filter, .2 um, 1/8 NPTM, ACRO-50	38.00
33-0156RK-01	Replacement hydrophobic filter element for probe, (pack of 5), EAGLE / EAGLE 2 probe	14.00
33-0156RK-100	Replacement hydrophobic filter element for probe (pack of 100), EAGLE / EAGLE 2 probe	200.00
33-0160RK	Dust filter, internal, plastic, GX-4000 / RX-415	2.40
33-0164RK	Filter, oil mist removal, Balston, 9900-05-BK, EAGLE / EAGLE 2 / marine	46.00
33-0165RK	Filter, Millipore, PTFE, Disc type, hydrophobic, EAGLE, Fixed Systems	27.00
33-0171RK	Filter replacement, AcroPak 300 with PTFE membrane, 0.2 um	180.00
33-0171RK-01	Filter, installed internally, AcroPak 300 with PTFE membrane, 0.2 um	180.00
33-0173RK	Filter, internal, hydrophobic, EAGLE 2	10.00
33-1031RK	Cotton balls, filters for probe, bag of 25	4.00
33-1041RK	Rubber cup probe tip, for soil surveys	25.00
33-1200RK	Particle filter replacement, 5 microns, for new style EAGLE 2 probes (not for use with PID sensors)	3.00
33-2002RK-01	Humidifier, 24" for cal kits, with 3/16" tubing on ends, for EAGLE	320.00
33-3015RK	Filter, pleated paper type for 80-0182RK and 80-0211RK water trap	11.00
33-6010RK-01	CO2 Scrubber with fitting and tubing for standard EAGLE / EAGLE 2	82.00
33-6011RK	H2S Scrubber, for SO2 EAGLE	60.00
33-6020RK	Filter, G-92, Zeolite, for ASH3 sensors, fixed systems / EAGLE	38.00
33-6091RK	Charcoal filter replacement, EAGLE	12.00
35-0110RK	Dummy Sensor, H2S/CO, EAGLE	10.00
35-0111RK	Dummy Sensor, O2, EAGLE	12.00
35-0112RK	Dummy Sensor, LEL, EAGLE	12.00
47-5010RK	Cable with connector for LEL and TC sensors for EAGLE/EAGLE 2	21.40
49-1140RK	Size D alkaline battery	2.60
49-1240RK	Battery, Ni-Cad, D size	16.00
49-1403RK	Battery, lithium, 3V, mem ret, GX-86A / EAGLE	4.50
49-2149RK	Charger, 220 VAC, EAGLE	115.00
49-2150RK	Ni-Cad battery Charger, -Delta V type, 115VAC, with alkaline recognition, EAGLE	115.00
49-2150RK-01	Charger (115VAC) and Ni-Cads, added to EAGLE	160.00
49-2151RK	Battery charger, 12 VDC, with cigarette lighter plug, EAGLE	115.00
49-2152RK	Continuous operation adaptor/charger, 115VAC, with 20' cable, EAGLE	115.00
52-1006RK	Buzzer, piezo, FDK EB4015A-30C150-9V, 3-12 V	16.80
52-1017RK-01	Internal buzzer, extra loud (90 db at 2 feet), added to EAGLE top case	85.00
57-0010RK	PCB assembly, main CPU, EAGLE	368.00
57-0011RK	PCB assembly, analog, EAGLE	420.00
57-0019RK	PCB assembly, battery, jumper side, EAGLE	26.00
57-0020RK	PCB assembly, I. S. barrier / battery power, standard EAGLE (No IR sensors)	68.00
71-8000RK	Training CD, EAGLE, GX-2001, GX-2003, GasWatch 2, and -01 series	0.00
75-0001RK	External methane elimination switch added to EAGLE	95.00
80-0101RKE	Floating ball / hose assembly, 25', with EAGLE/EAGLE 2 fitting	120.00
80-0131RK-10	Probe, 10", hydrophobic, standard, with particle filter and metal fittings, EAGLE / EAGLE 2	55.00
80-0132RK-10	Probe, 10", hydrophobic, without particle filter, with plastic fittings for toxic gas versions (HCL/CLO2/etc), EAGLE	54.00
80-0133RK-10	Probe, 30", aluminum, with particle filter and 1641 fittings, EAGLE	95.00
80-0133RK-20	Probe, 30", aluminum, without particle filter and 1641 fittings, EAGLE	95.00

# EAGLE Portable Series

## EAGLE Replacement Parts and Accessories

<u>Part#</u>	<u>Description</u>	<u>Suggested Retail</u>
80-0134RK-10	Probe, 4', stainless steel, with particle filter, handle, and 1641 fittings, EAGLE .....	260.00
80-0134RK-20	Probe, 4', stainless steel, without particle filter, handle, and 1641 fittings, EAGLE .....	250.00
80-0135RK-10	Probe, 30", stainless steel, with particle filter and 1641 fittings, EAGLE .....	110.00
80-0135RK-20	Probe, 30", stainless steel, without particle filter and 1641 fittings, EAGLE .....	110.00
80-0136RK	Probe, 32", extendable (10" collapsed), fiberglass, with dust filter, (cotton ball), EAGLE / EAGLE 2 .....	76.00
80-0137RK	Probe, 10" plastic, with dust filter (cotton ball), for EAGLE .....	38.00
80-0143RK	Extendable probe, 7' (collapsible to 2'), fiberglass with filter for EAGLE .....	88.00
80-0160RK-12	Extendable probe, 12', with 1641 fittings, EAGLE .....	250.00
80-0160RK-18	Extendable probe, 18', with 1641 fittings, EAGLE .....	250.00
80-0182RK	Probe, with internal paper dust filter, pleated paper type, EAGLE/GX-4000A .....	95.00
80-0211RK	Water Trap (bowl type) with 1641 fittings with pleated paper filter, EAGLE .....	120.00
80-0224RK	Filter, hydrophobic, in-line type (ACRO-50), with EAGLE fittings (1641) .....	75.00
80-0226RK	Hydrophobic filter, external, in-line, for EAGLE supertoxic versions, ACRO-50 with teflon tube, EAGLE ...	65.00
80-0405RK	Dilution fitting 50:50, for EAGLE only (for use with hose & probe), with 1641 fittings .....	95.00
80-0406RK	Dilution fitting 3 to 1 for EAGLE only (for use with hose & probe), with 1641 fittings .....	120.00
80-0505RK	Hose, 5' polyurethane with fittings (standard gas versions only), EAGLE / EAGLE 2 .....	40.00
80-0505RK	Hose, 5' polyurethane with fittings (standard gas versions only), EAGLE / EAGLE 2 .....	40.00
80-0506RKT	Hose, 6', teflon lined, (for heavy hydrocarbon use), with 1641 fittings, EAGLE/EAGLE 2 .....	100.00
80-0510RK	Hose, 10', polyurethane (for standard gases only), with 1641 fittings, EAGLE/EAGLE 2 .....	45.00
80-0515RK	Hose, 15', polyurethane (for standard gases only), with 1641 fittings, EAGLE/EAGLE 2 .....	50.00
80-0520RK	Hose, 20', polyurethane (for standard gases only), with 1641 fittings, EAGLE/EAGLE 2 .....	55.00
80-0525RK	Hose, 25', polyurethane (for standard gases only), with 1641 fittings, EAGLE/EAGLE 2 .....	60.00
80-0530RK	Hose, 30', polyurethane (for standard gases only), with 1641 fittings, EAGLE/EAGLE 2 .....	70.00
80-0540RK	Hose, 40', polyurethane (for standard gases only), with 1641 fittings, EAGLE/EAGLE 2 .....	80.00
80-0550RK	Hose, 50', polyurethane (for standard gases only), with 1641 fittings, EAGLE/EAGLE 2 .....	90.00
80-0560RK	Hose, 60', polyurethane (for standard gases only), with 1641 fittings, EAGLE/EAGLE 2 .....	100.00
80-0575RK	Hose, 75', polyurethane (for standard gases only), with 1641 fittings, EAGLE/EAGLE 2 .....	115.00
80-0599RK	Hose, 100', polyurethane (for standard gases only), with 1641 fittings, EAGLE/EAGLE 2 .....	140.00
80-0599RK-125	Hose, 125', polyurethane (for standard gases only), with 1641 fittings, EAGLE/EAGLE 2 .....	170.00
80-0802RK	Float probe assembly, 12', (without dilution fitting), EAGLE tank tester version .....	420.00
82-5007RK	Data logging kit, downloading, EAGLE .....	165.00

# Specialty Portable Instruments

## GP-1000 Sample Draw Combustible with 25 Selectable Gases

<u>Part#</u>	<u>Description</u>	<u>Suggested Retail</u>
72-0076-CH4	GP-1000 sample draw combustible detector for methane, 0 - 10% LEL / 100% LEL .....	995.00
72-0076-CH4-01	GP-1000 sample draw combustible detector for methane, 0 - 10% LEL / 100% LEL, with carrying case and screen protector .....	1,100.00
72-0076-CH4-51	GP-1000 sample draw combustible detector for methane, 0 - 10% LEL / 100% LEL, with carrying case, 34L 50% LEL CH4 in Air, demand flow regulator, tubing and screen protector .....	1,560.00
72-0076-HC	GP-1000 sample draw combustible detector for isobutane, 0 - 10% LEL / 100% LEL .....	995.00



### Calibration Kits

<u>Instrument #</u>	<u>Cal-Kit Part #</u>	<u>Cal-Kit Description</u>	<u>Price</u>
72-0076-CH4 72-0076-CH4-01	81-GP1000-DLV	Cal kit, GP-1000, 34AL 50% CH4 in air, dem flow reg, case & tubing	435.00
72-0076-HC	81-GP1000IBDLV	Cal kit, GP-1000, 34AL 50% isobutane in air, dem flow reg, case & tubing	435.00

## NC-1000 PPM Scale Combustible Detector

<u>Part#</u>	<u>Description</u>	<u>Suggested Retail</u>
72-0077-HC	NC-1000 sample draw combustible detector for isobutane, 0 - 1000 ppm / 10,000 ppm .....	1,895.00



### GP-1000 & NC-1000 Accessories & Replacement Parts

<u>Part#</u>	<u>Description</u>	<u>Suggested Retail</u>
07-2033	Gasket for sensor, fluorine contained rubber for GP-1000 & NC-1000.....	5.40
10-1132	Screw M3 x 8, SUS304 .....	2.00
13-0112RK	Wrist strap .....	4.00
17-1000RK	Inlet fitting (also needs o-ring 07-6000RK) for RP-3R/RP-6 .....	8.80
20-0273	Carrying case with shoulder strap, for GP/NC-1000 .....	110.00
21-1140	LCD Module for GP-1000 & NC-1000 .....	50.00
21-1926	LCD protection film for instrument display for GX-6000, GP-1000, & NC-1000 .....	5.40
21-1926-01	LCD protection film for instrument display, pack of 5 for GX-6000, GP-1000, & NC-1000 .....	30.00
21-1936	Filter case, IP252BR1, for NC-1000 .....	18.00
21-1937	Top cover assembly for NC-1000 .....	178.00
21-1940	Battery lid for FP-31, GP-1000, & NC-1000.....	5.40
21-1941	Batter lid locking plate for FP-31, GP-1000,& NC-1000 .....	2.00
30-0022RK	Pump replacement for GX-2012/Gas Tracer/RP-3R/RP-2009/GX-6000/FP-31/NC-1000, with cable and connector .....	140.00
33-0159RK	Teflon filter disc, 10 pieces, RP-3R/RP-2009/RP-6/GX-2003/GX-2012/Gas Tracer/GX-6000/NC-1000 .....	24.00
33-0179	Hydrophobic filter for main case of GP-1000 & NC-1000 .....	3.60
33-6017	H2S removal cartridge filter CF-8390 .....	46.00
33-7127	Silicone removal cartridge filter CF-8391 .....	46.00
49-1406RK	Battery, lithium, CR 1220, for main PCB for GX-2012, Gas Tracer, GP-1000, & NC-1000, snap in type.....	4.40
80-0172	Probe with hydrophobic filter, dust filter, no scrubber section, for GX-6000 (not for Cl2 use)/ GX-8000/RX-8000 .....	35.00
80-0173	Probe with tube, GF-267, with middle section for scrubber,for GX-6000 .....	26.00
80-0402	Diluter (Gas: Air = 1:1) .....	88.00
NC-6215	Sensor, LEL, NC-6215, GX-8000 and GP-1000 .....	360.00
NC-6307	Sensor for NC-1000, catalytic.....	360.00

### Calibration Kits

<u>Instrument #</u>	<u>Cal-Kit Part #</u>	<u>Cal-Kit Description</u>	<u>Price</u>
72-0077-HC	81-NC1000-DLV	Cal kit, NC-1000, 34AL isobutane 500 ppm in air, dem flow reg, case & tubing	435.00

# Specialty Portable Instruments

## SP-220 Combustible, Toxic, and Fumigant Leak Detector

<u>Part#</u>	<u>Description</u>	<u>Suggested Retail</u>
72-0064-05	SP-220 gas leak checker, type SC for super toxics.....	680.00
72-0064-06	SP-220 gas leak checker, type FUM for fumigation gases.....	840.00
72-0064-07	SP-220 gas leak checker, type M for methane .....	840.00
72-0064-08	SP-220 gas leak checker, type L for LPG .....	840.00
72-0064-09	SP-220 gas leak checker, type F for chlorofluorocarbons CFC's .....	840.00
72-0064-10	SP-220 gas leak checker, type H2 for hydrogen .....	895.00



## SP-220 Accessories & Replacement Parts

<u>Part#</u>	<u>Description</u>	<u>Suggested Retail</u>
07-2002	Filter packing for SP-220, black .....	5.40
07-6045	O-ring JASO 2026 EPDM, for SP-220 .....	5.20
13-0112RK	Wrist strap .....	4.00
17-1001RK	Tapered rubber inlet nozzle, 4", RP-3R/RP-2009/RP-6/GX-2003/GX-2012/Gas Tracer .....	8.00
20-0328	Protective rubber boot for SP-220 .....	62.00
29-6100	Water immersion sensing seal, adhesive backed for 03 series, GX-6000, and SP-220 .....	10.00
30-0022RK	Pump replacement for GX-2012/Gas Tracer/RP-3R/RP-2009/GX-6000/FP-31/NC-1000, with cable and connector .....	140.00
33-0153	Filter disks, teflon for SP-220, pack of 5 .....	10.00
33-0178	Dust filter for SP-220, set of 5 pieces .....	18.00
33-6099	Charcoal filter cartridge for SP-220, CF-8392 .....	27.00
49-1120RK	Size AA alkaline battery .....	1.20
SH-8661	Sensor for SP-220 type methane & LPG versions .....	350.00
SH-8662	Sensor for SP-220 type FUM & SC versions .....	425.00

## FP-31 Formaldehyde Monitor

<u>Part#</u>	<u>Description</u>	<u>Suggested Retail</u>
73-1063	Model FP-31 (15 & 30 minute averages) Formaldehyde monitor .....	1,050.00



### Instrument Price Includes

4 AA batteries, Box of 20 detection tablets

## Replacement Parts & Accessories

<u>Part#</u>	<u>Description</u>	<u>Suggested Retail</u>
15-0503	Spring for positive battery contact on FP-31 .....	4.00
15-0504	Battery spring A for FP-31 .....	2.40
15-0505	Battery spring B for FP-31 .....	3.60
21-1940	Battery lid for FP-31, GP-1000, & NC-1000 .....	5.40
21-1941	Batter lid locking plate for FP-31, GP-1000, & NC-1000 .....	2.00
21-1942	Top case assembly for FP-31 .....	68.00
30-0022RK	Pump replacement for GX-2012/Gas Tracer/RP-3R/RP-2009/GX-6000/FP-31/NC-1000, with cable and connector .....	140.00
33-3014RK	Tobacco filter, GX-7/GX-8000/RX-8000/FP-31, pack of 10 .....	5.00
49-1406RK	Battery, lithium, CR 1220, for main PCB for GX-2012, Gas Tracer, GP-1000, & NC-1000, snap in type .....	4.40
51-1134	LCD module for FP-31 .....	54.00
57-2091	Main PCB assembly for FP-31 .....	360.00
57-5092	Tab cover assembly for FP-31 .....	56.00
65-TAB-008	Detection tablets for FP-31/-30/-40, box of 20, (1 test each) Formaldehyde (use for -008,-009,-010) .....	85.00
81-FP31	Calibration and zero tabs for FP-31 .....	625.00
82-1001	Tripod stand for FP-31 .....	94.00
82-1001-01	Tripod attachment for FP-31 .....	40.00

# Specialty Portable Instruments

## FI-8000 Optical Interferometer for Fumigants

<u>Part#</u>	<u>Description</u>	<u>Suggested Retail</u>
73-4021-XX-01	FI-8000 for fumigation, hand aspirated type with alkaline batteries, 48 mm chamber length, specify gas and range .....	4,600.00
73-4021-XX-01P	FI-8000 for fumigation, pump type with alkaline batteries, 48 mm chamber length, specify gas and range .....	4,600.00



**ORDERING INFORMATION:** When ordering an FI-8000 Interferometer, please specify the following components:

- 1) Gas and range
- 2) Pump type or hand aspirator type (select by part number above).

### Instrument Price Includes

Instrument, vinyl case, hose, absorption tube, & alkaline batteries

## Replacement Parts & Accessories

<u>Part#</u>	<u>Description</u>	<u>Suggested Retail</u>
49-1120RK	Size AA alkaline battery .....	1.20
49-1320RK	Battery, Ni-MH, AA .....	4.00
49-3105RK	Charger, Ni-MH, charges four AA or AAA size with A/C adapter and DC vehicle plug .....	36.00

## SC-8000 Toxic Sample Draw Gas Monitor

<u>Part#</u>	<u>Description</u>	<u>Suggested Retail</u>
73-0052-XXX	SC-8000 alkaline version, (use -XXX to specify gas) .....	2,300.00
73-0053-XXX	SC-8000 Li-ion version, (use -XXX to specify gas) .....	2,455.00



## Replacement Sensors

<u>Part#</u>	<u>Description</u>	<u>Suggested Retail</u>
ESM-23-CO	Sensor, Carbon Monoxide (CO), 0-150 ppm, for GD-K88Ai, GD-K71D, GD-K77D, and SC-8000 .....	480.00
ESM-238-SO2	Sensor, Sulfur Dioxide (SO2), 0-6 ppm, for GD-K71D, GD-K77D, and SC-8000 .....	480.00
ESM-23AH-NO2	Sensor, Nitrogen Dioxide (NO2), 0-15 ppm, for GD-K88Ai, GD-K71D, GD-K77D, and SC-8000 .....	480.00
ESM-23AH-PH3	Sensor, Phosphine (PH3), 0-1 ppm, for GD-K88Ai, GD-K71D, GD-K77D, and SC-8000 .....	480.00
ESM-23AH-SiH4	Sensor, Silane (SiH4), 0-15 ppm, low H2 response, for GD-K88Ai, GD-K71D, GD-K77D, and SC-8000 .....	480.00
ESM-23AHS-ASH3	Sensor, Arsine (AsH3), 0-0.2 ppm, for GD-K88Ai, GD-K71D, GD-K77D, and SC-8000 .....	480.00
ESM-23AY-B2H6	Sensor, Diborane (B2H6), 0-0.3 ppm, for GD-K88Ai, GD-K71D, GD-K77D, and SC-8000 .....	480.00
ESM-23DH-GEH4	Sensor, Germane (GeH4), 0-0.8 ppm, for GD-K88Ai, GD-K71D, GD-K77D, and SC-8000 .....	480.00
ESM-23DH-H2O2	Sensor, Hydrogen Peroxide (H2O2), 0-3 ppm, for GD-K88Ai, GD-K71D, GD-K77D, and SC-8000 .....	480.00
ESM-23DH-H2O2-1	Sensor, Hydrogen Peroxide (H2O2), 0-0.500 ppm, for GD-K88Ai, GD-K71D, GD-K77D, and SC-8000 .....	480.00
ESM-23DH-HCN	Sensor, Hydrogen Cyanide (HCN), 0-15 ppm, for GD-K88Ai, GD-K71D, GD-K77D, and SC-8000 .....	480.00
ESM-23DH-MS	Sensor, Methyl Silane (CH3SiH3), 0-20 ppm, for GD-K88Ai, GD-K71D, GD-K77D, and SC-8000 .....	480.00
ESM-23DH-Si2H6	Sensor, Disilane (Si2H6), 0-15 ppm, for GD-K88Ai, GD-K71D, GD-K77D, and SC-8000 .....	480.00
ESM-23DH-SiH4	Sensor, Silane (SiH4), 0-15 ppm, for GD-K88Ai, GD-K71D, GD-K77D, and SC-8000, with H2 response .....	480.00
ESM-23E-HBR	Sensor, Hydrogen Bromide (HBr), 0-9 ppm, for GD-K88Ai, GD-K71D or GD-K77D .....	480.00
ESM-23E-HCL	Sensor, Hydrogen Chloride (HCl), 0-15 ppm, (with H2 response) for GD-K88Ai, GD-K71D, GD-K77D, and SC-8000 .....	480.00
ESM-23E-SO2	Sensor, Sulfur Dioxide (SO2), 0-30 ppm, for GD-K88Ai, GD-K71D, GD-K77D, and SC-8000 .....	480.00
ESM-23R-NH3	Sensor, Ammonia (NH3), 0-75 ppm, for GD-K88Ai, GD-K71D, GD-K77D, and SC-8000 .....	480.00
ESM-23RH-NH3	Sensor, Ammonia (NH3), 0-75 ppm, for GD-K88Ai, GD-K71D, GD-K77D, and SC-8000, high humidity use .....	480.00
ESM-K233-CL2	Sensor, Chlorine (Cl2), 0-3 ppm, for GD-K88Ai, GD-K71D, GD-K77D, and SC-8000 .....	480.00
ESM-K233-F2	Sensor, Fluorine (F2), 0-3 ppm, for GD-K88Ai, GD-K71D, GD-K77D, and SC-8000 .....	480.00
ESM-K233-HCL	Sensor, Hydrogen Chloride (HCl), 0-15 ppm, for GD-K88Ai, GD-K71D, GD-K77D, and SC-8000 .....	480.00
ESM-K233-HF	Sensor, Hydrogen Fluoride (HF), 0-9 ppm, for GD-K88Ai, GD-K71D, GD-K77D, and SC-8000 .....	480.00
ESM-K233CS-CLF3	Sensor, Chlorine Trifluoride (ClF3), 0-0.6 ppm, for GD-K88Ai, GD-K71D, GD-K77D, and SC-8000 (no acid gas sensitivity) .....	480.00
ESM-K239C-O3	Sensor, Ozone (O3), 0-1.0 ppm, for GD-K88Ai, GD-K71D, GD-K77D, and SC-8000 .....	480.00

# Specialty Portable Instruments

## SC-8000 Toxic Sample Draw Gas Monitor

### Calibration Kits

Instrument #	Cal-Kit Part #	Cal-Kit Description	Price
73-0052-ASH3 73-0053-ASH3	81-5107RKS-LV	Cal kit, EAGLE, 34AL cyl PH3/N2, 34L cyl N2 100%, reg, gas bag, screwdriver, case & tubing	715.00
73-0052-CL2 73-0053-CL2 73-0052-F2 73-0053-F2 73-0052-HBR 73-0053-HBR 73-0052-HF 73-0053-HF	81-5106RK-DLV	Cal kit, EAGLE, 34AL cyl 2 ppm Chlorine/N2, dem reg, screwdriver, case & tubing	620.00
73-0052-CO 73-0053-CO	81-5104RK-LV	Cal kit, EAGLE, 34L cyl 50 ppm Carbon Monoxide/Air, disp valve, gas bag, case & tubing	210.00
73-0052-HCL 73-0053-HCL	81-5110RK-LV	Cal kit, EAGLE, 34AL cyl 5 ppm Hydrogen Chloride in N2, reg, gas bag, screwdriver, case & tubing	575.00
73-0052-HCN 73-0053-HCN	81-5123RK-DLV	Cal kit, EAGLE, 34AL cyl 10 ppm Hydrogen Cyanide/N2, dem reg, screwdriver, case & tubing	620.00
73-0052-NH3 73-0053-NH3	81-5111RK-DLV	Cal kit, EAGLE, 34AL cyl 10 ppm Ammonia/N2, dem reg, screwdriver, case & tubing	680.00
73-0052-NO2 73-0053-NO2	81-5114RK-LV	Cal kit, EAGLE, 34AL cyl 10 ppm Nitrogen Dioxide/Air, reg with gauge & knob, screwdriver, case & tubing	535.00
73-0052-O3 73-0053-O3	81-5109RK	Cal kit, EAGLE, 58AL cyl 2 ppm Chlorine/N2, 103L cyl 100% Nitrogen, reg, gas bag, screwdriver, case & tubing	735.00
73-0052-PH3 73-0053-PH3	81-5108RK-DLV	Cal kit, EAGLE, 34AL cyl 0.5 ppm Phosphine/N2, dem reg, screwdriver, case & tubing	655.00
73-0052-SIH4 73-0053-SIH4	81-5117RK	Cal Kit, EAGLE, 58AL cyl 5 ppm Silane/N2, dem flow reg, screwdriver, case & tubing	625.00
73-0052-SO2 73-0053-SO2	81-5105RK-LV	Cal kit, EAGLE, 34AL cyl 5 ppm SO2/N2, reg, gas bag, screwdriver, case & tubing	400.00
			Call

### Replacement Parts & Accessories

<b>Part#</b>	<b>Description</b>	<b>Suggested Retail</b>
21-1799	Front cover with display window label for SC-8000 .....	53.00
30-0023RK	Pump with cable and connector, RP-11, for GX-8000/RX-8000/SC-8000 .....	350.00
49-0115RK	115 / 220 VAC Adapter for charger, GX-6000/GX-2009/GX-2012/Gas Tracer/EAGLE 2/GX-8000/SC-8000 ...	20.00
49-1120RK	Size AA alkaline battery .....	1.20
49-1627	Battery pack, alkaline, BUD-8000(S) for SC-8000 .....	350.00
49-1628	Battery pack, Li-Ion, BUD-8000(S1) for SC-8000 .....	650.00
51-1138	LCD module for GX-8000 / SC-8000 .....	115.00
80-0175	Sampling Probe for SC-8000 .....	63.00

# Specialty Portable Instruments

## GX-8000 Harsh Environment Sample Draw Gas Monitor



Combustibles (CH <sub>4</sub> , i-C <sub>4</sub> H <sub>10</sub> , H <sub>2</sub> , and others)		O <sub>2</sub>	H <sub>2</sub> S	CO
% LEL	% Volume			
Catalytic combustion	Thermal Conductivity	Galvanic Cell	Electrochemical Cell	
0 ~ 100% LEL	0 ~ 100% Vol.	0 ~ 40% Vol.	0 ~ 100 ppm	0 ~ 500 ppm

Part#	Description	Suggested Retail
72-0320RK	GX-8000, 1 sensor, LEL (specify calibration) with alkaline battery pack .....	1,275.00
72-0320RKC	GX-8000, 1 sensor, LEL (specify calibration) with Li-Ion battery pack and 115/220 VAC charger .....	1,645.00
72-0321RK	GX-8000, 1 sensors, O <sub>2</sub> with alkaline battery pack .....	1,275.00
72-0321RKC	GX-8000, 1 sensor, Oxygen (O <sub>2</sub> ) with lithium ion battery pack and 115/220 VAC charger .....	1,645.00
72-0322RKC	GX-8000, 2 sensors, LEL (specify calibration) / Oxygen (O <sub>2</sub> ) with lithium ion battery pack and 115/220 VAC charger .....	2,395.00
72-0323RKC	GX-8000, 3 sensors, LEL (specify calibration) / Oxygen (O <sub>2</sub> ) / Hydrogen Sulfide (H <sub>2</sub> S) with lithium ion battery pack and 115/220 VAC charger .....	3,275.00
72-0324RKC	GX-8000, 3 sensors, LEL (specify calibration) / Oxygen (O <sub>2</sub> ) / Carbon Monoxide (CO) with lithium ion battery pack and 115/220 VAC charger .....	3,275.00
72-0325RKC	GX-8000, 3 sensors, LEL (specify calibration) / % volume Methane (CH <sub>4</sub> ) / Oxygen (O <sub>2</sub> ) with lithium ion battery pack and 115/220 VAC charger .....	3,275.00
72-0326RKC	GX-8000, 4 sensors, LEL (specify calibration) / Oxygen (O <sub>2</sub> ) / Hydrogen Sulfide (H <sub>2</sub> S) / Carbon Monoxide (CO) with lithium ion battery pack and 115/220 VAC charger .....	3,750.00
72-0326RKC-01	GX-8000, 4 sensors, LEL (specify calibration) / Oxygen (O <sub>2</sub> ) / Hydrogen Sulfide (H <sub>2</sub> S) / Carbon Monoxide (CO) with lithium ion battery pack and 115/220 VAC charger, special version for coal / bulk carriers with dilution fitting for inert applications .....	3,790.00
72-0327RKC	GX-8000, 5 sensors, % Vol (CH <sub>4</sub> ) / LEL / O <sub>2</sub> / H <sub>2</sub> S / CO with Li-Ion battery pack and 115/220 VAC charger .....	3,995.00

### Instrument Price Includes

3' coiled hose, probe, and Operators Manual

### Replacement Sensors

Part#	Description	Suggested Retail
65-1058RK	Sensor, Oxygen (O <sub>2</sub> ), OS-BM1 for RX-8000, GX-8000, RX-515, -516, -517, GX-94 .....	150.00
65-2008RK	Sensor, Carbon Monoxide (CO) (ES-031), GX-94 / GX-8000 .....	175.00
ES-0371-H2S	Sensor, Hydrogen Sulfide (H <sub>2</sub> S), 0 - 100 ppm for GX-8000 .....	280.00
NC-6215	Sensor, LEL, NC-6215, GX-8000 and GP-1000 .....	360.00
TE-7515	Sensor, TC % volume combustibles, thermal conductivity, TE-7515, GX-8000 .....	360.00

### GX-8000 Replacement Parts & Accessories *Note:* 49-0115RK adapter is the complete charger for the GX-8000 series.

Part#	Description	Suggested Retail
20-0281RK	Carrying case, leather for GX-8000/RX-8000 .....	220.00
30-0023RK	Pump with cable and connector, RP-11, for GX-8000/RX-8000/SC-8000 .....	350.00
33-0180	Hydrophobic filter disk, for CF-8385, GX-8000/RX-8000, pack of 10 .....	12.00
33-3014RK	Tobacco filter, GX-7/GX-8000/RX-8000/FP-31, pack of 10 .....	5.00
33-3060RK	Filter tube with cotton filter for GX-8000/RX-8000 (for GF-256 probe) .....	18.00
33-7122RK	Filter, charcoal disk, CF031, for GX-8000, pack of 10 .....	44.00
49-0115RK	115 / 220 VAC Adapter for charger, GX-6000/GX-2009/GX-2012/Gas Tracer/EAGLE 2/GX-8000/SC-8000 ...	20.00
49-1120RK	Size AA alkaline battery .....	1.20
49-1613RK	Battery pack, lithium ion, GX-8000 .....	780.00
49-1614RK	Battery pack, alkaline, GX-8000 .....	440.00
51-1138	LCD module for GX-8000 / SC-8000 .....	115.00
65-7002	Dummy Sensor, plastic, GX-8000/RX-8000 .....	14.00
80-0011RK	Hose, 30 meter, quick disconnect, RI-415 marine version, Riken style (orange) .....	240.00
80-0012RK	Hose, 3' coiled, polyurethane, RI-411/RI-413A/GP-226/GX-8000/RX-8000 .....	45.00
80-0022RK	Connection tube for GX-8000/RX-515/RX-516/RX-517/RX-8500/RX-8700/GX-8000 .....	20.00
80-0101RK	Hose with floating head, 8 meters (25 feet), with GX-/RX- series .....	100.00
80-0101RK-60	Hose with floating head, 60 ft, with GX-7 fitting, RX- series .....	125.00
80-0172	Probe with hydrophobic filter, dust filter, no scrubber section, for GX-6000 (not for Cl <sub>2</sub> use)/GX-8000/RX-8000 .....	35.00
80-0176	Diluter adapter for bulk carrier application, GX-8000 .....	395.00



# Specialty Portable Instruments

## ***RX-8000 Series IR Combustible Monitor, 0 - 100% LEL / Volume***

<b>Part#</b>	<b>Description</b>	<b>Suggested Retail</b>
73-0617	RX-8000, 0-100% LEL & 0-100% vol CH4 (methane calibration) with alkaline battery pack .....	2,295.00
73-0617C	RX-8000, 0-100% LEL & 0-100% vol CH4 (methane calibration) with lithium ion battery pack and 115 / 220 VAC charger .....	2,340.00
73-0618	RX-8000, 0-100% LEL & 0-100% vol HC (isobutane calibration) with alkaline battery pack .....	2,295.00
73-0618C	RX-8000, 0-100% LEL & 0-100% vol HC (isobutane calibration) with lithium ion battery pack and 115 / 220 VAC charger .....	2,340.00



### **Calibration Kits**

<b>Instrument #</b>	<b>Cal-Kit Part #</b>	<b>Cal-Kit Description</b>	<b>Price</b>
73-0617 73-0617C	81-RI415CH4	Cal kit, RI-415/RX-8000, 34L cyl 50% LEL CH4/Air, 34L cyl 50% vol CH4/Air, disp valve, gas bag, two gas bags, case & tubing	330.00
73-0618 73-0618C	81-RI415HC	Cal kit, RI-415/RX-8000, 34L cyl 50% LEL isobutane/Air, 17L cyl 10% vol isobutane/N2, disp valve, two gas bags, case & tubing	320.00

## ***RX-8000 Series Dual Gas IR For LEL/Volume HC & Oxygen (RX-415 replacement)***

<b>Part#</b>	<b>Description</b>	<b>Suggested Retail</b>
73-0615	RX-8000, 0-100% LEL & 0-100% vol CH4, & 0-25% O2, land version (methane calibration) with alkaline battery pack .....	2,395.00
73-0615C	RX-8000, 0-100% LEL & 0-100% vol CH4, & 0-25% O2, land version (methane calibration) with lithium ion battery pack and 115 / 220 VAC charger .....	2,440.00
73-0616	RX-8000, 0-100% LEL & 0-100% vol HC, & 0-25% O2, (isobutane calibration) with alkaline battery pack .....	2,395.00
73-0616C	RX-8000, 0-100% LEL & 0-100% vol HC, & 0-25% O2, (isobutane calibration) with lithium ion battery pack and 115 / 220 VAC charger .....	2,440.00

### **Calibration Kits**

<b>Instrument #</b>	<b>Cal-Kit Part #</b>	<b>Cal-Kit Description</b>	<b>Price</b>
73-0615 73-0615C	81-RX415CH4	Cal kit, RX-415/RX-8000, 34L cyl 50% LEL CH4/Air, 34L cyl 50% vol CH4/Air, 34L cyl 100% N2, disp valve, 3 gas bags, case & tubing	410.00
73-0616 73-0616C	81-RX415HC	Cal kit, RX-415/RX-8000, 34L cyl 50% LEL isobutane/Air, 17L cyl 10% vol isobutane/Air, 34L cyl 100% N2, disp valve, three gas bags, case & tubing	400.00
	81-RX415HCD	Cal kit, RX-415/RX-8000, 34L cyl 50% LEL isobutane/Air, 34L cyl 10% vol isobutane/Air, 34L cyl 100% N2, dem flow reg, case & tubing	535.00
			Call

## ***RX-8000 Replacement Sensor***

<b>Part#</b>	<b>Description</b>	<b>Suggested Retail</b>
65-1058RK	Sensor, Oxygen (O2), OS-BM1 for RX-8000, GX-8000, RX-515, -516, -517, GX-94 .....	150.00
DE-3113-13	Sensor, IR, Methane (CH4) 0 - 100% LEL / 0 - 100% volume auto range for RX-8000 .....	1,300.00
DE-3123-4	Sensor, IR, Hydrocarbons (HC) 0 - 100% LEL / 0 - 100% volume auto range for RX-8000 .....	1,300.00

# Specialty Portable Instruments

## RX-8000 Replacement Parts & Accessories

<u>Part#</u>	<u>Description</u>	<u>Suggested Retail</u>
20-0281RK	Carrying case, leather for GX-8000/RX-8000 .....	220.00
21-1808RK	Charcoal filter case (lid) for GX-8000/RX-8000 .....	3.80
30-0023RK	Pump with cable and connector, RP-11, for GX-8000/RX-8000/SC-8000 .....	350.00
33-0180	Hydrophobic filter disk, for CF-8385, GX-8000/RX-8000, pack of 10 .....	12.00
33-3014RK	Tobacco filter, GX-7/GX-8000/RX-8000/FP-31, pack of 10 .....	5.00
33-3015RK	Filter, pleated paper type for 80-0182RK and 80-0211RK water trap .....	11.00
33-3060RK	Filter tube with cotton filter for GX-8000/RX-8000 (for GF-256 probe) .....	18.00
45-2430RK	Plug adapter for charger, US to Euro, non-grounded .....	3.60
47-5084RK-01	Downloading cable, USB / IrDA adapter, Windows XP, Windows 7, Windows 8, and Windows 10 compatible .....	220.00
49-0115RK	115 / 220 VAC Adapter for charger, GX-6000/GX-2009/GX-2012/Gas Tracer/EAGLE 2/GX-8000/SC-8000 ...	20.00
49-1617	Battery pack, lithium ion, BUL-8000 (R) for RX-8000 .....	780.00
49-1618	Battery pack, alkaline, BUD-8000 (R) for RX-8000 .....	440.00
65-7002	Dummy Sensor, plastic, GX-8000/RX-8000 .....	14.00
80-0011RK	Hose, 30 meter, quick disconnect, RI-415 marine version, Riken style (orange) .....	240.00
80-0012RK	Hose, 3' coiled, polyurethane, RI-411/RI-413A/GP-226/GX-8000/RX-8000 .....	45.00
80-0101RK	Hose with floating head, 8 meters (25 feet), with GX-/RX- series .....	100.00
80-0101RK-60	Hose with floating head, 60 ft, with GX-7 fitting, RX- series .....	125.00
80-0172	Probe with hydrophobic filter, dust filter, no scrubber section, for GX-6000 (not for Cl2 use)/GX-8000/RX-8000 .....	35.00
81-0012RK-01	Cylinder, CH4 50% LEL in air, 34L steel .....	55.00
81-0013RK-01	Cylinder, CH4 50% volume in N2, 34L steel .....	55.00
81-0018RK-01	Cylinder, isobutane 50% LEL in air, 34L steel .....	55.00
81-0019RK	Cylinder, isobutane 10% volume in N2, 17L steel .....	45.00
81-0078RK-01	Cylinder, N2 100%, 34L steel .....	55.00
81-1131RK	Gas bag, Green, LEL range, for RI/RX-415 .....	45.00
81-1132RK	Gas bag, Orange, Volume range, for RI/RX-415 .....	45.00

**Note:** 49-0115RK adapter is the complete charger for the RX-8000 series.

## RX-8500 LEL, % Vol CH4 IR / O2 / CO / CO2

<u>Part#</u>	<u>Description</u>	<u>Suggested Retail</u>
73-0620	RX-8500, 0-100% LEL & 0-100% Vol CH4 (methane calibration) / 0-40% oxygen / 0-1000 ppm CO / 0-20% CO2 with Li-Ion battery and charger .....	3,250.00



## Replacement Sensors

<u>Part#</u>	<u>Description</u>	<u>Suggested Retail</u>
65-1058RK	Sensor, Oxygen (O2), OS-BM1 for RX-8000, GX-8000, RX-515, -516, -517, GX-94 .....	150.00
DE-3123-5	Sensor, IR, Methane (CH4), 0 - 100% LEL / 0 - 100% volume / Carbon Dioxide (CO2) 0 - 20% volume for RX-8500 .....	1,200.00

# Specialty Portable Instruments

## RX-8700 LEL, % Vol HC IR / O2 / H2S Low & High Range

<u>Part#</u>	<u>Description</u>	<u>Suggested Retail</u>
73-0622	RX-8700, 0-100% LEL & 0-100% Vol HC (isobutane calibration) / 0-40% Oxy / 0-100 ppm H2S & 0-1,000 ppm H2S, with Li-Ion battery & charger .....	3,250.00



## Replacement Sensors

<u>Part#</u>	<u>Description</u>	<u>Suggested Retail</u>
65-1058RK	Sensor, Oxygen (O2), OS-BM1 for RX-8000, GX-8000, RX-515, -516, -517, GX-94 .....	150.00
DE-3123-4	Sensor, IR, Hydrocarbons (HC) 0 - 100% LEL / 0 - 100% volume auto range for RX-8000 .....	1,300.00
ES-037R-H2S	Sensor, Hydrogen Sulfide (H2S), low range 0 - 100 ppm, ES-037R for RX-516/RX-517 .....	150.00
ES-037RM-H2S	Sensor, Hydrogen Sulfide (H2S), high range 0 - 1,000 ppm, ES-037R, for RX-517 .....	225.00

## RX-8500 and RX-8700 Replacement Parts & Accessories

<u>Part#</u>	<u>Description</u>	<u>Suggested Retail</u>
07-2029	Gasket, upper case for GX-8000/RX-8000/RX-8700 .....	5.50
07-2030	Gasket, bottom case, GX-8000/RX-8000/RX-8700.....	5.50
07-6051	O-ring, 2.62 mm diameter, battery compartment sealing for RP-3R/RP-3R PRO/RX-8500/RX-8700 .....	2.60
10-1088	Screw, M2 x 6, for sensor retainer and battery retainer, for GasWatch 3 .....	1.00
13-1117	Panel screw, M3 x 8 mm, 304 SS, cross recessed pan head,for GX-8000/RX-8500/RX-8700 battery cover.....	1.80
21-1809	Filter case with nipple for tobacco filter on GX/RX-8000/RX-8700 .....	3.80
29-6100	Water immersion sensing seal, adhesive backed for 03 series, GX-6000, and SP-220.....	10.00
30-0023RK	Pump with cable and connector, RP-11, for GX-8000/RX-8000/SC-8000.....	350.00
33-0180	Hydrophobic filter disk, for CF-8385, GX-8000/RX-8000, pack of 10 .....	12.00
33-1031RK	Cotton balls, filters for probe, bag of 25 .....	4.00
33-3014RK	Tobacco filter, GX-7/GX-8000/RX-8000/FP-31, pack of 10 .....	5.00
47-5085RK	USB A to USB mini B cable, 6 feet .....	8.00
49-0115RK	115 / 220 VAC Adapter for charger, GX-6000/GX-2009/GX-2012/Gas Tracer/EAGLE 2/GX-8000/SC-8000 ...	20.00
49-1120RK	Size AA alkaline battery .....	1.20
49-1406RK	Battery, lithium, CR 1220, for main PCB for GX-2012, Gas Tracer, GP-1000, & NC-1000, snap in type.....	4.40
49-1622	Lithium ion battery pack, BUL-8000(Z1) for RX-8500 / RX-8700 .....	650.00
49-1623	Alkaline battery pack, BUD-8000(Z1) for RX-8500 / RX-8700 .....	360.00
80-0006-03	Hose for GX-6000/RX-8500/RX-8700, Teflon lined, 3 ft, no probe .....	45.00
80-0022RK	Connection tube for GX-8000/RX-515/RX-516/RX-517/RX-8500/RX-8700/GX-8000 .....	20.00
80-0103RK	Hose, 30 meter, with float type sampling head, for RX-415/RX-516/RX-517/RX-8500/RX-8700.....	375.00
80-0172-01	Probe with hydrophobic filter, no dust filter or scrubber section, for GX-6000 (Cl2 use) .....	33.00
81-0018RK-01	Cylinder, isobutane 50% LEL in air, 34L steel.....	55.00
81-0019RK	Cylinder, isobutane 10% volume in N2, 17L steel.....	45.00
81-0065RK-01	Cylinder, CO 100 ppm in air, 34 liter .....	55.00
81-0073RK-01	Cylinder, CO2 15% in N2, 34L steel .....	55.00
81-0078RK-01	Cylinder, N2 100%, 34L steel .....	55.00
81-1126RK	Gas bag with fitting & hose barb, 9" x 12" tedlar, 3 liters .....	27.00
81-9042RK-01	Cylinder, CH4 60% LEL in air, 34L steel .....	55.00

## Discontinued Portables Replacement Parts

### GasWatch 2 Single Gas Monitor



Part#	Description	Suggested Retail
07-0029RK	Sensor gasket for GasWatch 2 .....	2.00
13-0105RK	Watchband replacement, for GasWatch 2/GasWatch 3 .....	7.00
13-0204RK	Spring bar with outer tube for 03/04 Series and wrist band of GasWatch 2/GasWatch 3 .....	1.40
21-1834RK	Sensor cap for GasWatch 2.....	2.80
33-0166RK	Sensor cover, disc, 10 pack, GasWatch 2 / -01 series.....	18.00
33-7106RK	Charcoal filter disk for CO sensor, strip of 5, for CO-03, GasWatch 2, GasWatch 3 .....	12.00
49-1404RK	Lithium battery, 3.0 volt, coin type, CR 2450.....	2.60
71-8000RK	Training CD, EAGLE, GX-2001, GX-2003, GasWatch 2, and -01 series .....	0.00
81-0064RK-01	Cylinder, CO 50 ppm in air, 34L steel .....	55.00
81-0076RK-01	Cylinder, Zero air, 34L steel .....	55.00
81-0151RK-04	Cylinder, H2S 25 ppm in N2, 34AL .....	130.00
81-1104RK	Calibration adapter for -01 series & GasWatch 2 .....	33.00
82-0001RK	Tool for removing pins for watchband or clip .....	14.00

### GasWatch 2 Replacement Sensors

Part#	Description	Suggested Retail
ES-1821	Sensor, Carbon Monoxide (CO) 0-500 ppm for GX-2009/GX-2012/GX-6000/CO-03/GasWatch 2/Gas Tracer	140.00
ES-1827i	Sensor, Hydrogen Sulfide (H2S) 0-100 ppm for GX-2009/GX-2012/GX-6000/HS-03/GasWatch 2 .....	140.00
OS-BM2	Sensor, Galvanic, Oxygen (O2) 0-25% Vol. for GX-2009/GX-2012/GasTracer/GX-6000/OX-03/GasWatch 3	120.00

### GasWatch 2 Calibration Kits

Instrument #	6/23/2022 Cal-Kit Part #	Cal-Kit Description	Price
72-0007RK	81-GW2X-LV	Cal kit, GW2, 34L cyl 100% N2, reg with gauge & knob, cal cup, case & tubing	315.00
73-0040RK	81-GW2C-LV	Cal kit, GW2, 34L cyl CO / N2, reg with gauge & knob, cal cup, case & tubing	315.00
73-0041RK	81-GW2H-LV	Cal kit, GW2, 34AL cyl H2S/N2,reg with gauge & knob, cal cup, case & tubing	390.00

# Discontinued Portables Replacement Parts

## 03 SERIES Single Gas Monitor



<b>Part#</b>	<b>Description</b>	<b>Suggested Retail</b>
06-1248RK	Tubing, polyurethane, 3/16" ID x 5/16" OD, per foot.....	2.00
07-6031	Gasket for battery compartment cover on 03 series .....	2.00
07-6032	Gasket between front and rear case of 03 series .....	2.40
07-6033	Sensor gasket for 03 or 04 series .....	2.00
07-6034	Rubber sheet around buzzer on main board of 03 series.....	1.40
10-1105-01	Screw, M 2 x 8 mm, pan head phillips, with washer, SUSXM7, for 03 series.....	4.00
13-0112RK	Wrist strap .....	4.00
13-0121	Alligator Clip for 03 series (requires 13-0204RK for installation) .....	25.00
13-0122	Belt Clip for 03 or 04 series.....	18.00
13-0204RK	Spring bar with outer tube for 03/04 Series and wrist band of GasWatch 2/GasWatch 3 .....	1.40
13-1116	Screw for battery compartment cover of 03 series .....	4.00
15-0500	Battery contact short for 03 series.....	5.20
15-0501	Battery contact piece (-) for 03 series .....	2.60
15-0502	Battery contact piece (+) for 03 series .....	2.60
20-0110RK-01	Case for 1-3 cylinders,17/34L/34AL, with foam.....	100.00
20-0115RK-01	Padded carrying case for one GX-3R, GX-3R Pro, GX-2009 or 03 series instrument and charger only .....	80.00
20-0325	Rubber boot for 03 or 04 series .....	14.00
21-1908	Battery compartment cover for 03 series .....	5.40
21-1909	Battery contact holder for 03 series .....	3.00
21-1910	Rear case for GP-03 and OX-03 .....	16.00
21-1911	Rear case for CO-03 and HS-03 .....	16.00
21-1913	Front case assembly for 03 series .....	20.60
29-0651	Label, silver, RKK address for 03 series .....	0.50
29-0652	Label, front for GP-03 .....	6.00
29-0653	Label, front for OX-03 .....	6.00
29-0654	Label, front for CO-03 .....	6.00
29-0655	Label, front for HS-03 .....	6.00
29-6100	Water immersion sensing seal, adhesive backed for 03 series, GX-6000, and SP-220.....	10.00
30-1055	Vibration motor for 03 series .....	20.00
33-0175	Hydrophobic filter, PF020 for 03 series/RP-2009/GasWatch 3 .....	1.80
33-7106RK	Charcoal filter disk for CO sensor, strip of 5, for CO-03, GasWatch 2, GasWatch 3 .....	12.00
47-5084RK-01	Downloading cable, USB / IrDA adapter, Windows XP, Windows 7, Windows 8, and Windows 10 compatible .....	220.00
49-1110RK	Battery, alkaline, AAA .....	1.20
49-1312	Battery, Ni-MH, AAA, Eneloop by Panasonic .....	12.60
49-2058RK-04	AC adapter 4 port charger for SDM-2009, SDM-2012, and SDM-03.....	88.00
49-3105RK	Charger, Ni-MH, charges four AA or AAA size with A/C adapter and DC vehicle plug .....	36.00
49-3106RK	Charger, Ni-MH, charges twelve AA or AAA size with A/C adapter and DC vehicle plug .....	75.00
51-1130	LCD Module for 03 series .....	18.00
57-1282	Main PC board assembly, GP-03 .....	160.00
57-1283	Main PC board assembly, OX-03 .....	150.00
57-1284	Main PC board assembly, CO-03 .....	150.00
57-1285	Main PC board assembly, HS-03 .....	150.00
81-0002RK-01	Cylinder, H2, 50% LEL in air, 34L steel .....	55.00
81-0002RK-03	Cylinder, H2, 50% LEL in air, 103L steel .....	150.00
81-0007RK-01	Cylinder, Hexane 15% LEL/air, 34L steel .....	55.00
81-0007RK-03	Cylinder, Hexane 10% LEL (0.11%) in air, 103L steel .....	150.00
81-0012RK-01	Cylinder, CH4 50% LEL in air, 34L steel .....	55.00
81-0012RK-03	Cylinder, CH4 50% LEL/air, 103L steel .....	150.00
81-0018RK-01	Cylinder, isobutane 50% LEL in air, 34L steel.....	55.00
81-0018RK-03	Cylinder, isobutane 50% LEL in air, 103L steel .....	150.00
81-0064RK-01	Cylinder, CO 50 ppm in air, 34L steel .....	55.00
81-0064RK-03	Cylinder, CO 50 ppm in air, 103L steel .....	150.00
81-0078RK-01	Cylinder, N2 100%, 34L steel .....	55.00
81-0078RK-03	Cylinder, N2 100%, 103L steel .....	150.00
81-0151RK-02	Cylinder, H2S 25 ppm in N2, 58AL .....	150.00
81-0151RK-04	Cylinder, H2S 25 ppm in N2, 34AL .....	130.00
81-1050RK	Regulator, with gauge & knob, 17/34L, 0.5 LPM, CGA 600 fitting.....	125.00
81-1051RK	Regulator, with gauge & knob, 34AL/58AL/103L steel, 0.5 LPM, C-10 fitting .....	125.00

# Discontinued Portables Replacement Parts

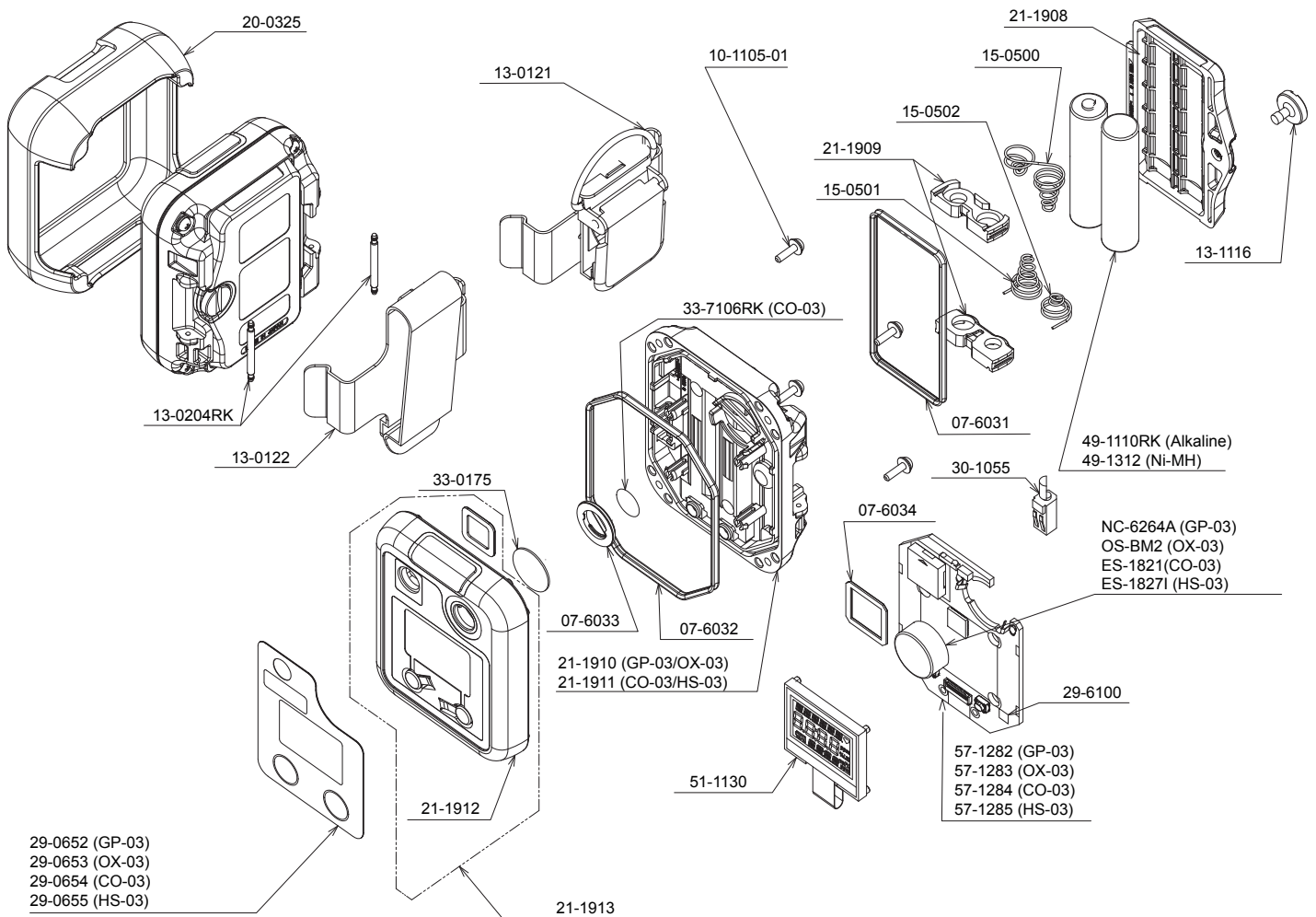
## 03 SERIES Single Gas Monitor

Part#	Description	Suggested Retail
81-1146	Calibration adapter for 03 and 04 series .....	30.00

## Replacement Sensors

Part#	Description	Suggested Retail
ES-1821	Sensor, Carbon Monoxide (CO) 0-500 ppm for GX-2009/GX-2012/GX-6000/CO-03/GasWatch 2/Gas Tracer	140.00
ES-1827i	Sensor, Hydrogen Sulfide (H2S) 0-100 ppm for GX-2009/GX-2012/GX-6000/HS-03/GasWatch 2 .....	140.00
NC-6264A	Sensor, Methane (CH4) 0-100% LEL for GX-2009/GX-2012/GX-6000/GP-03/Gas Tracer .....	120.00
OS-BM2	Sensor, Galvanic, Oxygen (O2) 0-25% Vol. for GX-2009/GX-2012/GasTracer/GX-6000/OX-03/GasWatch 3	120.00

## 03 Series Spare Parts Diagram



# Discontinued Portables Replacement Parts

## 03 Series Calibration Kits

Instrument #	Cal-Kit Part #	Cal-Kit Description	Price
72-0010	81-OX03	Cal kit, OX-03, 103L steel cyl 100% N2, regulator, cal cup, case & tubing	370.00
	81-OX03-LV	Cal kit, OX-03, 34L cyl 100% N2, regulator, cal cup, case & tubing	310.00
72-0037 72-0038	81-GP03	Cal kit, GP-03, 103L steel cyl 50% LEL CH4/Air, regulator, cal cup, case & tubing	370.00
	81-GP03-HLV	Cal kit, GP-03, 34L cyl 50% LEL Hexane/Air, regulator, cal cup, case & tubing	310.00
	81-GP03-LV	Cal kit, GP-03, 34L cyl 50% LEL CH4/Air, regulator, cal cup, case & tubing	310.00
	81-GP03H2-LV	Cal kit, GP-03, 34L cyl 50% LEL Hydrogen/Air, regulator, cal cup, case & tubing	310.00
	81-GP03IB-LV	Cal kit, GP-03, 34L cyl 50% LEL Isobutane/Air, regulator, cal cup, case & tubing	310.00
73-0060	81-CO03	Cal kit, CO-03, CO 50 ppm in air 103L steel cyl, regulator, cal cup, case & tubing	370.00
	81-CO03-LV	Cal kit, CO-03, CO 50 ppm in air 34L steel cyl, regulator, cal cup, case & tubing	310.00
73-0062	81-HS03	Cal kit, HS-03, 58AL cyl 25 ppm H2S/N2, regulator, cal cup, case & tubing	370.00
	81-HS03-LV	Cal kit, HS-03, 34AL cyl 25 ppm H2S/N2, regulator, cal cup, case & tubing	385.00

## 01 Series Single Gas Monitor

<u>Part#</u>	<u>Description</u>	<u>Suggested Retail</u>
13-0112RK	Wrist strap .....	4.00
20-0317RK	Rubber bumper, battery end for -01 series .....	3.00
33-0166RK	Sensor cover, disc, 10 pack, GasWatch 2 / -01 series.....	18.00
33-7106RK	Charcoal filter disk for CO sensor, strip of 5, for CO-03, GasWatch 2, GasWatch 3 .....	12.00
33-7114RK	Filter disk, H2S scrubber, strip of 5, for LEL sensor port, GP-01/GX-2001/GX-2009/ GX-2012/Gas Tracer/GX-6000 .....	10.00
49-1110RK	Battery, alkaline, AAA .....	1.20
57-2062RK	Analog PC board assembly for GP-01 .....	105.00
57-2067RK	PC board assembly for sensor, buzzer and sensor socket for HS-01 and CO-01 .....	68.00
71-8000RK	Training CD, EAGLE, GX-2001, GX-2003, GasWatch 2, and -01 series .....	0.00
81-0007RK-01	Cylinder, Hexane 15% LEL/air, 34L steel .....	55.00
81-0012RK-01	Cylinder, CH4 50% LEL in air, 34L steel .....	55.00
81-0064RK-01	Cylinder, CO 50 ppm in air, 34L steel .....	55.00
81-0078RK-01	Cylinder, N2 100%, 34L steel .....	55.00
81-0151RK-04	Cylinder, H2S 25 ppm in N2, 34AL .....	130.00
81-1104RK	Calibration adapter for -01 series & GasWatch 2 .....	33.00



## 01 Series Replacement Sensors

<u>Part#</u>	<u>Description</u>	<u>Suggested Retail</u>
ES-1821	Sensor, Carbon Monoxide (CO) 0-500 ppm for GX-2009/GX-2012/GX-6000/CO-03/GasWatch 2/Gas Tracer	140.00
ES-1827i	Sensor, Hydrogen Sulfide (H2S) 0-100 ppm for GX-2009/GX-2012/GX-6000/HS-03/GasWatch 2 .....	140.00
NC-6264A	Sensor, Methane (CH4) 0-100% LEL for GX-2009/GX-2012/GX-6000/GP-03/Gas Tracer .....	120.00
OS-BM2	Sensor, Galvanic, Oxygen (O2) 0-25% Vol. for GX-2009/GX-2012/GasTracer/GX-6000/OX-03/GasWatch 3	120.00

# Discontinued Portables Replacement Parts

## 01 Series Calibration Kits

Instrument #	Cal-Kit Part #	Cal-Kit Description	Price
72-0008RK-XX	81-OX01-LV	Cal kit, OX-01, 34L cyl 100% N2, reg with gauge and knob, cal cup, case & tubing	315.00
72-0033RK-XX 72-0034RK-XX	81-GP01-HLV	Cal kit, GP-01, 34L cyl 15% LEL Hexane/Air, reg with gauge & knob, cal cup, case & tubing	315.00
	81-GP01-LV	Cal kit, GP-01, 34L cyl 50% LEL CH4/Air, reg with gauge & knob, cal cup, case & tubing	315.00
73-0044RK-XX	81-CO01-LV	Cal kit, CO-01, 34L cyl 50 ppm CO/N2, reg with gauge & knob, cal cup, case & tubing	315.00
73-0046RK-XX 73-0048RK-XX	81-HS01-LV	Cal kit, HS-01, 34AL cyl 25 ppm H2S/N2, reg with gauge & knob, cal cup, case & tubing	390.00

## SC-01 Accessories & Replacement Parts

<b>Part#</b>	<b>Description</b>	<b>Suggested Retail</b>
06-1283RK	Tubing, teflon/polyurethane, 1/4" OD x 1/8" ID, 3', for toxic gas cal kits ...	16.00
13-0215RK	Alligator clip for SC-01 & OX-07 .....	12.40
13-0216RK	Alligator clip mounting bracket for SC-01 .....	3.50
13-0217RK	Belt clip for SC-01, includes 2 screws .....	9.00
20-0322RK	Rubber boot for SC-01 & OX-07 .....	20.00
21-1875RK	Battery cover for SC-01 & OX-07 .....	26.00
21-1876RK	Sensor retainer with rubber guard and o-rings for SC-01 & OX-07 .....	70.00
47-1561RK	Extender cable, 3 meters, for SC-01 .....	420.00
47-5084RK-01	Downloading cable, USB / IrDA adapter, Windows XP, Windows 7, Windows 8, and Windows 10 compatible .....	220.00
49-1120RK	Size AA alkaline battery .....	1.20
49-1405RK	Lithium battery, 1.55 volt, SR41W, GX-2003/EAGLE 2 (PCB memory backup battery) .....	4.00
49-1405RK-01	Battery contact, positive, for GX-2003/EAGLE 2, lithium battery, SUS304+NI3 .....	1.50
57-2068RK	PCB assembly, CPU board for SC-01 .....	140.00
57-2069RK	PCB assembly analog board for SC-01 .....	175.00
81-0062RK-01	Cylinder, CO 50 ppm in N2, 34L steel .....	55.00
81-0062RK-03	Cylinder, CO 50 ppm in N2, 103L steel .....	150.00
81-0151RK-02	Cylinder, H2S 25 ppm in N2, 58AL .....	150.00
81-0151RK-04	Cylinder, H2S 25 ppm in N2, 34AL .....	130.00
81-0170RK-02	Cylinder, SO2 5 ppm in N2, 58AL .....	160.00
81-0170RK-04	Cylinder, SO2 5 ppm in N2, 34AL .....	140.00
81-0175RK-02	Cylinder, NH3 10 ppm in N2, 58AL .....	300.00
81-0175RK-04	Cylinder, NH3 10 ppm in N2, 34AL .....	280.00
81-0185RK-02	Cylinder, PH3 0.5 ppm in N2, 58AL .....	300.00
81-0185RK-04	Cylinder, PH3 0.5 ppm in N2, 34AL .....	260.00
81-0192RK-02	Cylinder, Cl2 2 ppm in N2, 58AL .....	340.00
81-0192RK-04	Cylinder, Cl2 2 ppm in N2, 34AL .....	220.00
81-0196RK-02	Cylinder, HCN 10 ppm in N2, 58AL .....	260.00
81-0196RK-04	Cylinder, HCN 10 ppm in N2, 34AL .....	220.00
81-1051RK	Regulator, with gauge & knob, 34AL/58AL/103L steel, 0.5 LPM, C-10 fitting .....	125.00
81-1051RK-25	Regulator, with gauge and knob, 34AL/58AL/103L steel, 0.25 LPM, C-10 fitting .....	125.00
81-1139RK	Cal cup for general SC-01 use, (NOT for CL2 or NH3) .....	100.00
81-1139RK-CL2	Cal cup for chlorine (Cl2) SC-01 .....	100.00
81-1139RK-NH3	Cal cup for ammonia (NH3) SC-01 .....	100.00
82-5011RK-USB	Downloading kit with software & IrDA to USB cable .....	240.00
83-0010RK	Data downloading software for SC-01 .....	25.00





# Discontinued Portables Replacement Parts

## SC-01 Replacement Sensors

Part#	Description	Suggested Retail
ESM-011-CO	Sensor, Carbon Monoxide (CO), 0-75 ppm, ESM-01 plug-in diffusion type .....	195.00
ESM-017-H2S	Sensor, Hydrogen Sulfide (H2S), 0 - 30 ppm, ESM-01 plug-in diffusion type .....	195.00
ESM-01DH-ASH3	Sensor, Arsine (AsH3), 0 - 1.50 ppm, ESM-01 plug-in type .....	195.00
ESM-01DH-D-SO2	Sensor, Sulfur Dioxide (SO2), 0 - 6 ppm, ESM-01 plug-in type .....	195.00
ESM-01DH-PH3	Sensor, Phosphine (PH3), 0 - 1.0 ppm, ESM-01 plug-in type .....	195.00
ESM-01R-D-NH3	Sensor, Ammonia (NH3), 0 - 75 ppm, ESM-01 plug-in type, for diffusion instruments .....	195.00
ESM-K01-D-CL2	Sensor, Chlorine (Cl2), 0 - 3 ppm, ESM-01 plug-in diffusion type.....	195.00

## SC-01 Calibration Kits

Instrument #	Cal-Kit Part #	Cal-Kit Description	Price
73-0050RK-ASH3 73-0051RK-ASH3	81-SC01ASH3	Cal kit, SC-01, 58AL cyl 0.5 ppm PH3/N2, reg with gauge & knob, cal cup, case & tubing	600.00
	81-SC01ASH3-LV	Cal kit, SC-01, 34AL cyl 0.5 ppm PH3/N2, reg with gauge & knob, cal cup, case & tubing	600.00
73-0050RK-CL2 73-0051RK-CL2	81-SC01CL2	Cal kit, SC-01, 58AL cyl 2 ppm Cl2/N2, reg with gauge & knob, cal cup, case & tubing	640.00
	81-SC01CL2-LV	Cal kit, SC-01, 34AL cyl 2 ppm Cl2/N2, reg with gauge & knob, cal cup, case & tubing	560.00
73-0050RK-CO 73-0051RK-CO	81-SC01CO	Cal kit, SC-01, 103L steel cyl 50 ppm CO/N2, reg with gauge & knob, cal cup, case & tubing	435.00
	81-SC01CO-LV	Cal kit, SC-01, 34L cyl 50 ppm CO/N2, reg with gauge & knob, cal cup, case & tubing	345.00
73-0050RK-H2S 73-0051RK-H2S	81-SC01H2S	Cal kit, SC-01, 58AL cyl 25 ppm H2S/N2, reg with gauge & knob, cal cup, case & tubing	440.00
	81-SC01H2S-LV	Cal kit, SC-01, 34AL cyl 25 ppm H2S/N2, reg with gauge & knob, cal cup, case & tubing	455.00
73-0050RK-HCN 73-0051RK-HCN	81-SC01HCN	Cal kit, SC-01, 58AL cyl 10 ppm HCN/N2, reg with gauge & knob, cal cup, case & tubing	560.00
	81-SC01HCN-LV	Cal kit, SC-01, 34AL cyl 10 ppm HCN/N2, reg with gauge & knob, cal cup, case & tubing	560.00
73-0050RK-NH3 73-0051RK-NH3	81-SC01NH3	Cal kit, SC-01, 58AL cyl 25 ppm NH3/N2, reg with gauge & knob, cal cup, case & tubing	600.00
	81-SC01NH3-LV	Cal kit, SC-01, 34AL cyl 25 ppm NH3/N2, reg with gauge & knob, cal cup, case & tubing	620.00
73-0050RK-PH3 73-0051RK-PH3	81-SC01PH3	Cal kit, SC-01, 58AL cyl 0.5 ppm PH3/N2, reg with gauge & knob, cal cup, case & tubing	600.00
	81-SC01PH3-LV	Cal kit, SC-01, 34AL cyl 0.5 ppm PH3/N2, reg with gauge & knob, cal cup, case & tubing	600.00
73-0050RK-SO2 73-0050RK-SO2	81-SC01SO2	Cal kit, SC-01, 58AL cyl 5 ppm SO2/N2, reg with gauge & knob, cal cup, case & tubing	460.00
	81-SC01SO2-LV	Cal kit, SC-01, 34AL cyl 5 ppm SO2/N2, reg with gauge & knob, cal cup, case & tubing	465.00

# Discontinued Portables Replacement Parts

## GX-2001 Four Gas Personal Monitor

<u>Part#</u>	<u>Description</u>	<u>Suggested Retail</u>
10-1100RK-02	Replacement screw sets, 2 screw types, 2 sets of 8, GX-2001 .....	6.50
13-0112RK	Wrist strap .....	4.00
20-0112RK-01	Padded carrying case for GX-3R, GX-3R Pro, or GX-2009 aspirator kit .....	115.00
20-0112RK-02	Padded carrying case for GX-3R, GX-3R Pro, or GX-2009, aspirator, and cal kit. ....	180.00
20-0315RK	Rubber boot for GX-2001 .....	10.00
21-1823RK	Sensor filter retainer, GX-2001 .....	24.00
21-1824RK	Sensor retainer (outer section), GX-2001 .....	38.00
33-7106RK	Charcoal filter disk for CO sensor, strip of 5, for CO-03, GasWatch 2, GasWatch 3 .....	12.00
33-7107RK	Filter set, 5 pack (1 charcoal & 4 H2S filters per pack), GX-2001 .....	36.00
33-7114RK	Filter disk, H2S scrubber, strip of 5, for LEL sensor port, GP-01/GX-2001/GX-2009/GX-2012/Gas Tracer/ GX-6000/GP-03 .....	10.00
49-1605RK	NI-MH battery pack for GX-2001 (Battery charger sold separately) .....	32.00
57-2050RK	CPU PCB assembly for GX-2001 .....	240.00
65-7001RK	Dummy sensor for GX-2009, GX-2012, or GX-6000 empty sensor slots (LEL, O2, H2S, & CO) .....	5.00
71-8000RK	Training CD, EAGLE, GX-2001, GX-2003, GasWatch 2, and -01 series .....	0.00
81-0090RK-01	Cylinder, CO 50 ppm / CH4 50% LEL / O2 12 % in N2, 34L steel .....	55.00
81-0090RK-03	Cylinder, CO 50 ppm / CH4 50% LEL / O2 12 % in N2, 103L steel .....	150.00
81-0154RK-02	Cylinder, H2S 25 ppm / CO 50 ppm / CH4 50% LEL / O2 12% in N2, 58AL .....	190.00
81-0154RK-04	Cylinder, H2S 25 ppm / CO 50 ppm / CH4 50% LEL / O2 12% in N2, 34AL .....	160.00
81-0155RK-02	Cylinder, H2S 25 ppm / CO 50 ppm / HEX 15% LEL / O2 12% in N2, 58AL .....	220.00
81-0155RK-04	Cylinder, H2S 25 ppm / CO 50 ppm / HEX 15% LEL / O2 12% in N2, 34AL .....	160.00
81-0158RK-02	Cylinder, H2S 25 ppm / CO 50 ppm / isobutane 50% LEL / O2 12% in N2, 58AL .....	250.00
81-0158RK-04	Cylinder, H2S 25 ppm / CO 50 ppm / isobutane 50% LEL / O2 12% in N2, 34AL .....	160.00
81-1050RK	Regulator, with gauge & knob, 17/34L, 0.5 LPM, CGA 600 fitting.....	125.00
81-1051RK	Regulator, with gauge & knob, 34AL/58AL/103L steel, 0.5 LPM, C-10 fitting .....	125.00
81-1106RK	Sample adaptor for GX-2001 or GX-2009, rigid plastic, used with RP-6 .....	26.00
81-1107RK	Cal cap for GX-2001 and GX-2009 .....	17.00
81-1160RK	Hand aspirated sampler, with 10' hose and probe, GX-2001 or GX-2009 .....	95.00



## GX-2001 Replacement Sensors

<u>Part#</u>	<u>Description</u>	<u>Suggested Retail</u>
ES-1821	Sensor, Carbon Monoxide (CO) 0-500 ppm for GX-2009/GX-2012/GX-6000/CO-03/GasWatch 2/Gas Tracer	140.00
ES-18271	Sensor, Hydrogen Sulfide (H2S) 0-100 ppm for GX-2009/GX-2012/GX-6000/HS-03/GasWatch 2 .....	140.00
NC-6264A	Sensor, Methane (CH4) 0-100% LEL for GX-2009/GX-2012/GX-6000/GP-03/Gas Tracer .....	120.00
OS-BM2	Sensor, Galvanic, Oxygen (O2) 0-25% Vol. for GX-2009/GX-2012/GasTracer/GX-6000/OX-03/GasWatch 3	120.00

# Discontinued Portables Replacement Parts

## **GX-2001 Four Gas Personal Monitor**

### **Calibration Kits**

Instrument #	Cal-Kit Part #	Cal-Kit Description	Price
72-0226RK-XX 72-0230RK-XX 72-0231RK-XX	81-GX01CO	Cal kit, GX-2001/GX-2009, 103L steel cyl Methane/CO/O2, reg with gauge & knob, cal cap, case & tubing	355.00
	81-GX01CO-LV	Cal kit, GX-2001/GX-2009, 34L cyl Methane/CO/O2, reg with gauge & knob, cal cap, case & tubing	300.00
72-0227RK-XX	81-GX01CH4-LV	Cal kit, GX-2001/GX-2009, 34L cyl Methane 50% LEL/air, reg with gauge & knob, cal cap, case & tubing	300.00
72-0229RK-XX 72-0232RK-XX 72-0233RK-XX	81-GX01HCOIB-LV	Cal kit, GX-2001/GX-2009, 34AL cyl Isobutane/H2S/CO/O2, reg with gauge & knob, cal cap, case & tubing	405.00
	81-GX01HSCO	Cal kit, GX-2001/GX-2009, 58AL cyl Methane/H2S/CO/O2, reg with gauge & knob, cal cap, case & tubing	395.00
	81-GX01HSCO-LV	Cal kit, GX-2001/GX-2009, 34AL cyl Methane/H2S/CO/O2, reg with gauge & knob, cal cap, case & tubing	405.00
	81-GX01HXCO-LV	Cal kit, GX-2001/GX-2009, 34L cyl Hexane/O2/H2S/CO/N2, reg with gauge & knob, cal cap, case & tubing	405.00
72-0230RK-XX	81-GX01IB-LV	Cal kit, GX-2001/GX-2009, 34L cyl Isobutane/air, 34L cyl 100% N2, reg with gauge & knob, cal cap, case & tubing	355.00

### **RP-6 Accessories & Replacement Parts**

<u>Part#</u>	<u>Description</u>	<u>Suggested Retail</u>
07-2005RK	Gasket, filter/screen retaining, RP-3R/RP-2009/RP-6/GX-2003/GX-2012/Gas Tracer .....	15.00
07-6000RK	O-ring for inlet fitting of RP-3R/RP-2009/RP-6/GX-2003/GX-2012/Gas Tracer .....	1.00
13-0112RK	Wrist strap .....	4.00
17-1000RK	Inlet fitting (also needs o-ring 07-6000RK) for RP-3R/RP-6 .....	8.80
17-1001RK	Tapered rubber inlet nozzle, 4", RP-3R/RP-2009/RP-6/GX-2003/GX-2012/Gas Tracer .....	8.00
21-1829RK	Battery cap for RP-6 pump .....	6.00
21-1832RK	Filter holder, clear plastic, RP-6 .....	7.00
30-0015RK	Pump replacement for RP-6 or GX-2003 .....	135.00
30-0311RK	Pump diaphragm only, for RP-6 or GX-2003 .....	26.00
33-0159RK	Teflon filter disc, 10 pieces, RP-3R/RP-2009/RP-6/GX-2003/GX-2012/Gas Tracer/GX-6000/NC-1000 .....	24.00
33-1031RK	Cotton balls, filters for probe, bag of 25 .....	4.00
33-1112RK	Wire mesh disk filter, RP-3R/RP-2009/RP-6/GX-2003/GX-2012/Gas Tracer/GX-6000, 10 pack .....	15.00
49-1120RK	Size AA alkaline battery .....	1.20
80-0009RK-10	Hose, 10', polyurethane, GX-2012/Gas Tracer/GX-20003/RP-3R/RP-3R/RP-2009 .....	36.00
80-0009RK-15	Hose, 15', polyurethane, GX-2012/Gas Tracer/GX-20003/RP-3R/RP-2009 .....	38.00
80-0009RK-20	Hose, 20', polyurethane, GX-2012/Gas Tracer/GX-20003/RP-3R/RP-2009 .....	40.00
80-0009RK-25	Hose, 25', polyurethane, GX-2012/Gas Tracer/GX-20003/RP-3R/RP-2009 .....	42.00
80-0009RK-30	Hose, 30', polyurethane, GX-2012/Gas Tracer/GX-20003/RP-3R/RP-2009 .....	46.00
80-0020RK	Coiled tubing with connectors, 3' (for connection to GX-2009 / GX-2001 adaptor) .....	65.00
80-0150RK	Probe assembly, 10", with cotton ball filter .....	25.00
80-0404RK	Dilution fitting, 50:50 for GX-2003/-2012/Gas Tracer/RP-2009/RP-6/RP-3R .....	95.00
81-1106RK	Sample adaptor for GX-2001 or GX-2009, rigid plastic, used with RP-6 .....	26.00

# Discontinued Portables Replacement Parts

## GX-2003 Five in One Sample Draw

<u>Part#</u>	<u>Description</u>	<u>Suggested Retail</u>
06-1248RK	Tubing, polyurethane, 3/16" ID x 5/16" OD, per foot.....	2.00
06-1248RK-03	Calibration kit tubing, polyurethane, 3/16" ID x 5/16" OD, 3 feet.....	4.50
07-2005RK	Gasket, filter/screen retaining, RP-3R/RP-2009/RP-6/GX-2003/GX-2012/ Gas Tracer .....	15.00
07-6000RK	O-ring for inlet fitting of RP-3R/RP-2009/RP-6/GX-2003/GX-2012/Gas Tracer	1.00
13-0112RK	Wrist strap .....	4.00
17-1000RK	Inlet fitting (also needs o-ring 07-6000RK) for RP-3R/RP-6 .....	8.80
17-1001RK	Tapered rubber inlet nozzle, 4", RP-3R/RP-2009/RP-6/GX-2003/GX-2012/ Gas Tracer .....	8.00
17-4430RK-01	Bypass tee probe w/GX-7 quick disconnect,for GX-2003 / GX-2012/Gas Tracer purge sampling .....	22.00
20-0110RK-01	Case for 1-3 cylinders,17/34L/34AL, with foam.....	100.00
20-0112RK-03	Case with foam, for GX-2003 with accessories & cal kit with one cylinder .....	115.00
20-0114RK-01	Case with foam, for GX-2003 with accessories & cal kit with 2 cylinders .....	200.00
21-1062RK	Battery cover for the GX-2003 .....	18.00
21-1833RK	Filter holder, clear plastic, RP-3R/RP-2009/GX-2003/GX-2012/Gas Tracer/GX-6000 .....	12.80
21-1857RK	Filter holder (for CO and LEL sensors), GX-2003 .....	11.60
21-1858RK	Sensor cap, with flow chamber, GX-2003 .....	96.00
21-1859RK	Top cover assembly, GX-2003 .....	48.00
21-1861RK	Rear case assembly with battery springs, cover knob, and gasket, GX-2003 .....	100.00
30-0015RK	Pump replacement for RP-6 or GX-2003 .....	135.00
30-0311RK	Pump diaphragm only, for RP-6 or GX-2003 .....	26.00
33-0159RK	Teflon filter disc, 10 pieces, RP-3R/RP-2009/RP-6/GX-2003/GX-2012/Gas Tracer/GX-6000/NC-1000 .....	24.00
33-1031RK	Cotton balls, filters for probe, bag of 25 .....	4.00
33-1112RK	Wire mesh disk filter, RP-3R/RP-2009/RP-6/GX-2003/GX-2012/Gas Tracer/GX-6000, 10 pack .....	15.00
45-2430RK	Plug adapter for charger, US to Euro, non-grounded .....	3.60
47-5084RK-01	Downloading cable, USB / IrDA adapter, Windows XP, Windows 7, Windows 8, and Windows 10 compatible	220.00
49-1120RK	Size AA alkaline battery .....	1.20
49-1405RK	Lithium battery, 1.55 volt, SR41W, GX-2003/EAGLE 2 (PCB memory backup battery) .....	4.00
49-2167RK	Charging station, 115 / 220 VAC, GX-2003 (new style) .....	96.00
57-2064RK	Analog PCB assembly with sensor sockets installed, GX-2003.....	360.00
65-7001RK	Dummy sensor for GX-2009, GX-2012, or GX-6000 empty sensor slots (LEL, O2, H2S, & CO) .....	5.00
71-0089RK	Operator's Manual, Model GX-2003 .....	6.00
80-0009RK-10	Hose, 10', polyurethane, GX-2012/Gas Tracer/GX-20003/RP-3R/RP-3R/RP-2009 .....	36.00
80-0009RK-15	Hose, 15', polyurethane, GX-2012/Gas Tracer/GX-20003/RP-3R/RP-2009 .....	38.00
80-0009RK-20	Hose, 20', polyurethane, GX-2012/Gas Tracer/GX-20003/RP-3R/RP-2009 .....	40.00
80-0009RK-25	Hose, 25', polyurethane, GX-2012/Gas Tracer/GX-20003/RP-3R/RP-2009 .....	42.00
80-0009RK-30	Hose, 30', polyurethane, GX-2012/Gas Tracer/GX-20003/RP-3R/RP-2009 .....	46.00
80-0009RK-40	Hose, 40', polyurethane, GX-2012/Gas Tracer/GX-20003/RP-3R/RP-2009 .....	54.00
80-0144RK	Extendable probe, 7' (collapsible to 2'), fiberglass with filter for GX-2003/GX-2012/Gas Tracer .....	88.00
80-0150RK	Probe assembly, 10", with cotton ball filter .....	25.00
80-0155RK	Probe assembly, 30", aluminum, with cotton ball filter, for GX-2003/GX-2012/Gas Tracer .....	65.00
80-0157RK	Bar hole probe, 30" fiberglass for GX-2003/GX-2012/Gas Tracer .....	70.00
80-0404RK	Dilution fitting, 50:50 for GX-2003/-2012/Gas Tracer/RP-2009/RP-6/RP-3R .....	95.00
81-0154RK-02	Cylinder, H2S 25 ppm / CO 50 ppm / CH4 50% LEL / O2 12% in N2, 58AL .....	190.00
81-1050RK	Regulator, with gauge & knob, 17/34L, 0.5 LPM, CGA 600 fitting.....	125.00
81-1051RK	Regulator, with gauge & knob, 34AL/58AL/103L steel, 0.5 LPM, C-10 fitting .....	125.00
81-1054RK	Regulator, demand flow for 34AL/58AL/103L/116L cylinders .....	280.00
81-1126RK	Gas bag with fitting & hose barb, 9" x 12" tedlar, 3 liters .....	27.00



# Discontinued Portables Replacement Parts

## GX-2003 Replacement Sensors

<b>Part#</b>	<b>Description</b>	<b>Suggested Retail</b>
ES-1821	Sensor, Carbon Monoxide (CO) 0-500 ppm for GX-2009/GX-2012/GX-6000/CO-03/GasWatch 2/Gas Tracer	140.00
ES-1827I	Sensor, Hydrogen Sulfide (H2S) 0-100 ppm for GX-2009/GX-2012/GX-6000/HS-03/GasWatch 2	140.00
NC-6264A	Sensor, Methane (CH4) 0-100% LEL for GX-2009/GX-2012/GX-6000/GP-03/Gas Tracer	120.00
OS-BM2	Sensor, Galvanic, Oxygen (O2) 0-25% Vol. for GX-2009/GX-2012/GasTracer/GX-6000/OX-03/GasWatch 3	120.00
TE-7561	Sensor, TC, % volume, GX-2003/GX-2012/Gas Tracer	160.00

## Calibration Kits

<b>Instrument #</b>	<b>Cal-Kit Part #</b>	<b>Cal-Kit Description</b>	<b>Price</b>
72-0234RK 72-0236RK 72-0240RK 72-0250RK	81-GX03CO	Cal kit, GX-2003/GX-2012, 103L steel cyl CO/CH4/O2 in N2, dem flow reg, case & tubing	455.00
	81-GX03CO-DLV	Cal kit, GX-2003/GX-2012, 34L cyl CO/CH4/O2, dem flow reg, case & tubing	435.00
	81-GX03CO-LV	Cal kit, GX-2003/GX-2012, 34L cyl CO/CH4/O2 in N2, dispensing valve, gas bag, case & tubing	210.00
72-0260RK 72-0270RK	81-GX03HSCO	Cal kit, GX-2003/GX-2012, 58AL cyl H2S (25 ppm)/CO/CH4/O2, dem flow reg, case & tubing	495.00
	81-GX03HSCO-DLV	Cal kit, GX-2003/GX-2012, 34AL cyl H2S (25 ppm)/CO/CH4/O2, dem flow reg, case & tubing	500.00
	81-GX03HSCO-LV	Cal kit, GX-2003/GX-2012, 34AL cyl H2S (25 ppm)/CO/CH4/O2, reg with gauge & knob, gas bag, case & tubing	415.00
72-0272RK	81-GX03VCO-LV	Cal kit, GX-2003/GX-2012, 34L cyl CO/CH4/O2, 58L 100% vol CH4, reg with gauge & knob, gas bag, case & tubing	485.00
72-0274RK 72-0280RK	81-GX03VHSCO	Cal kit, GX-2003/GX-2012, 58AL cyl H2S (25 ppm)/CO/CH4/O2, 58L 100% vol. CH4, dem flow reg, case & tubing	645.00
	81-GX03VHSCO-LV	Cal kit, GX-2003/GX-2012, 34AL cyl H2S (25 ppm)/CO/CH4/O2, 58L cyl 100% vol. CH4, reg with gauge & knob, disp valve, gas bag, case & tubing	565.00

## GX - 94 Two, Three or Four Gas Diffusion

<b>Part#</b>	<b>Description</b>	<b>Suggested Retail</b>
30-0600RK-01	Pump, internal, with connector, EAGLE/EAGLE 2/RP-GX-94	195.00
49-1130RK	Battery, C size, alkaline battery	2.40
49-1402RK	Data logging back up battery, 3.0V lithium, CR2032 coin type	2.00
49-3102RK	Ni-Cad battery charger (Bench charger for up to 4 batteries), 12 VDC	125.00
80-0009RK-10	Hose, 10', polyurethane, GX-2012/Gas Tracer/GX-20003/RP-3R/RP-3R/RP-2009	36.00
80-0150RK	Probe assembly, 10", with cotton ball filter	25.00
81-0090RK-01	Cylinder, CO 50 ppm / CH4 50% LEL / O2 12 % in N2, 34L steel	55.00
81-0090RK-03	Cylinder, CO 50 ppm / CH4 50% LEL / O2 12 % in N2, 103L steel	150.00
81-0154RK-02	Cylinder, H2S 25 ppm / CO 50 ppm / CH4 50% LEL / O2 12% in N2, 58AL	190.00
81-0154RK-04	Cylinder, H2S 25 ppm / CO 50 ppm / CH4 50% LEL / O2 12% in N2, 34AL	160.00
81-1119RK	Hand-aspirated pump with hose (10') and probe, GX-94	115.00



## GX - 94 Replacement Sensors

<b>Part#</b>	<b>Description</b>	<b>Suggested Retail</b>
61-0217RK	Sensor, LEL (HW - 6259A), GX-94 / Safetmate	160.00
65-1058RK	Sensor, Oxygen (O2), OS-BM1 for RX-8000, GX-8000, RX-515, -516, -517, GX-94	150.00
65-2008RK	Sensor, Carbon Monoxide (CO) (ES-031), GX-94 / GX-8000	175.00
65-2038RK	Sensor, Hydrogen Sulfide (H2S) (ES-037A)	175.00

# Discontinued Portables Replacement Parts

## GX-82A & GX - 86A Multi-Gas Diffusion Monitor



<u>Part#</u>	<u>Description</u>	<u>Suggested Retail</u>
33-7101RK	Charcoal Filter for CO sensor (GX-82A/-86A), fixed system CO sensors .....	6.00
49-1130RK	Battery, C size, alkaline battery .....	2.40
49-1403RK	Battery, lithium, 3V, mem ret, GX-86A / EAGLE .....	4.50
80-0009RK-10	Hose, 10', polyurethane, GX-2012/Gas Tracer/GX-20003/RP-3R/RP-3R/RP-2009 .....	36.00
80-0009RK-20	Hose, 20', polyurethane, GX-2012/Gas Tracer/GX-20003/RP-3R/RP-2009 .....	40.00
80-0009RK-30	Hose, 30', polyurethane, GX-2012/Gas Tracer/GX-20003/RP-3R/RP-2009 .....	46.00
80-0150RK	Probe assembly, 10", with cotton ball filter .....	25.00
80-0225RK	Hydrophobic filter, in line, ACRO - 50 with fittings for GX-7/GX-2001/GX-2003/GX-2012/ Gas Tracer and RX-415 .....	75.00
80-0404RK	Dilution fitting, 50:50 for GX-2003/-2012/Gas Tracer/RP-2009/RP-6/RP-3R .....	95.00
81-0090RK-01	Cylinder, CO 50 ppm / CH4 50% LEL / O2 12 % in N2, 34L steel .....	55.00
81-0090RK-03	Cylinder, CO 50 ppm / CH4 50% LEL / O2 12 % in N2, 103L steel .....	150.00
81-0154RK-02	Cylinder, H2S 25 ppm / CO 50 ppm / CH4 50% LEL / O2 12% in N2, 58AL .....	190.00
81-0154RK-04	Cylinder, H2S 25 ppm / CO 50 ppm / CH4 50% LEL / O2 12% in N2, 34AL .....	160.00
81-1109RK	Cal cup for 82 single gas series, GX-82/86/91B (Not for GX-82A or GX-86A) .....	50.00

## Replacement Sensors

<u>Part#</u>	<u>Description</u>	<u>Suggested Retail</u>
60-5010RK	LEL filaments only, for HW-6244A, (for 61-0220RK), GX-82/-86, GX-82A/-86A, GP-82.....	40.00
61-0220RK	Sensor, LEL (complete), HW-6244A, GX-82 type .....	80.00
65-2003RK	Sensor, Carbon Monoxide (CO), ES-81, GX-82 type .....	175.00
65-2033RK	Sensor, Hydrogen Sulfide (H2S), ES-87A, GX-82 type .....	175.00

## GX-4000A Four Gas Detector (GX-111)

<u>Part#</u>	<u>Description</u>	<u>Suggested Retail</u>
30-0522RK	Inlet fitting, standard, metal, quick disconnect, female, EAGLE/1641/GX-4000A .....	38.00
33-0160RK	Dust filter, internal, plastic, GX-4000 / RX-415 .....	2.40
33-3016RK	Hydrophobic filter, replacement, GX-4000A .....	8.00
33-6090RK	Charcoal filter replacement, GX-4000A / EAGLE 2 .....	8.50
49-1140RK	Size D alkaline battery .....	2.60
49-1240RK	Battery, Ni-Cad, D size .....	16.00

## Replacement Sensors

<u>Part#</u>	<u>Description</u>	<u>Suggested Retail</u>
62-0126RK	Sensor, LEL for GX-4000A (NS-2900-M) .....	80.00
65-0601RK	Sensor, Oxygen (O2) (OS-B3), for EAGLE, EAGLE 2, or RX-415 .....	160.00
65-2003RK	Sensor, Carbon Monoxide (CO), ES-81, GX-82 type .....	175.00
65-2033RK	Sensor, Hydrogen Sulfide (H2S), ES-87A, GX-82 type .....	175.00

## Calibration Kits

<u>Instrument #</u>	<u>Cal-Kit Part #</u>	<u>Cal-Kit Description</u>	<u>Price</u>
72-0085RK	81-GX4000RK	Cal kit, GX-4000, 103L steel cyl CO/CH4/O2, 58AL cyl H2S/N2, dem flow reg, screwdriver, case & tubing	610.00

## Discontinued Portables Replacement Parts

### RI-415 & RX-415 Series IR Combustible Monitors, 0 - 100% LEL / Volume



<u>Part#</u>	<u>Description</u>	<u>Suggested Retail</u>
30-0017RK	Pump assembly for RI-415 .....	380.00
30-0019RK	Pump assembly for RX-415 .....	240.00
33-0160RK	Dust filter, internal, plastic, GX-4000 / RX-415 .....	2.40
33-3056RK	Filter with flow monitor, RI-415/NP-237H, quick connect/strt on ends ...	180.00
33-3057RK	Filter with flow monitor for RX-415, quick connect fittings on both ends	180.00
33-3059RK	Filter tube with flow monitor, for RX-515/RX-516/RX-517 .....	180.00
49-1130RK	Battery, C size, alkaline battery .....	2.40
80-0009RK-99	Hose, 100', polyurethane, RKI style, GX-2012/Gas Tracer/GX-20003/RP-3R/RP-2009 .....	98.00
80-0011RK	Hose, 30 meter, quick disconnect, RI-415 marine version, Riken style (orange) .....	240.00
80-0012RK	Hose, 3' coiled, polyurethane, RI-411/RI-413A/GP-226/GX-8000/RX-8000 .....	45.00
80-0015RK	Connection tube for RI-415, 1', female GX-7 to 4 x 6 mm tube.....	16.00
80-0101RK	Hose with floating head, 8 meters (25 feet), with GX-/RX- series .....	100.00
80-0103RK	Hose, 30 meter, with float type sampling head, for RX-415/RX-516/RX-517/RX-8500/RX-8700 .....	375.00
80-0150RK	Probe assembly, 10", with cotton ball filter .....	25.00
80-0152RK	Probe assembly for RI-413A/RI-413A/RI-415/GP-88S/SP-237H .....	30.00
80-0213RK	Water trap, bowl type, for GX-7/GP-226/RI-411/RI-413A .....	75.00
80-0225RK	Hydrophobic filter, in line, ACRO - 50 with fittings for GX-7/GX-2001/GX-2003/GX-2012/Gas Tracer and RX-415 .....	75.00
81-0018RK-01	Cylinder, isobutane 50% LEL in air, 34L steel.....	55.00
81-0019RK	Cylinder, isobutane 10% volume in N2, 17L steel .....	45.00
81-0078RK-01	Cylinder, N2 100%, 34L steel .....	55.00
81-1131RK	Gas bag, Green, LEL range, for RI/RX-415 .....	45.00
81-1132RK	Gas bag, Orange, Volume range, for RI/RX-415 .....	45.00

### RI-415 & RX-415 Replacement Sensors

<u>Part#</u>	<u>Description</u>	<u>Suggested Retail</u>
61-5006RK	Sensor, IR, Methane (CH4) & Carbon Dioxide (CO2), RI/RX-415, model DE-3113-4 .....	1,260.00
61-5007RK	Sensor, IR, Hydrocarbons (HC) & Carbon Dioxide (CO2), RI/RX-415, RX-8000, model DE-3123-1 .....	1,260.00
65-0601RK	Sensor, Oxygen (O2) (OS-B3), for EAGLE, EAGLE 2, or RX-415 .....	160.00

### Calibration Kits

Instrument #	Cal-Kit Part #	Cal-Kit Description	Price
73-0591RK	81-RX415CH4	Cal kit, RX-415/RX-8000, 34L cyl 50% LEL CH4/Air, 34L cyl 50% vol CH4/Air, 34L cyl 100% N2, disp valve, 3 gas bags, case & tubing	410.00
	81-RX415HC	Cal kit, RX-415/RX-8000, 34L cyl 50% LEL isobutane/Air, 17L cyl 10% vol iso-butane/Air, 34L cyl 100% N2, disp valve, three gas bags, case & tubing	400.00

# Discontinued Portables Replacement Parts

## RX-515, RX-516, & RX-517 Multi-Gas IR Monitors

<u>Part#</u>	<u>Description</u>	<u>Suggested Retail</u>
30-0017RK	Pump assembly for RI-415 .....	380.00
30-0019RK	Pump assembly for RX-415 .....	240.00
33-0160RK	Dust filter, internal, plastic, GX-4000 / RX-415 .....	2.40
33-3057RK	Filter with flow monitor for RX-415, quick connect fittings on both ends .....	180.00
49-1130RK	Battery, C size, alkaline battery .....	2.40
80-0009RK-99	Hose, 100', polyurethane, RKI style, GX-2012/Gas Tracer/GX-20003/RP-3R/RP-2009 .....	98.00
80-0011RK	Hose, 30 meter, quick disconnect, RI-415 marine version, Riken style (orange) .....	240.00
80-0012RK	Hose, 3' coiled, polyurethane, RI-411/RI-413A/GP-226/GX-8000/RX-8000 .....	45.00
80-0015RK	Connection tube for RI-415, 1', female GX-7 to 4 x 6 mm tube.....	16.00
80-0101RK	Hose with floating head, 8 meters (25 feet), with GX-/RX- series .....	100.00
80-0150RK	Probe assembly, 10", with cotton ball filter .....	25.00
80-0152RK	Probe assembly for RI-413A/RI-413A/RI-415/GP-88S/SP-237H .....	30.00
80-0213RK	Water trap, bowl type, for GX-7/GP-226/RI-411/RI-413A .....	75.00
80-0225RK	Hydrophobic filter, in line, ACRO - 50 with fittings for GX-7/GX-2001/GX-2003/GX-2012/Gas Tracer and RX-415 .....	75.00
81-0018RK-01	Cylinder, isobutane 50% LEL in air, 34L steel.....	55.00
81-0019RK	Cylinder, isobutane 10% volume in N2, 17L steel.....	45.00
81-0078RK-01	Cylinder, N2 100%, 34L steel .....	55.00
81-1131RK	Gas bag, Green, LEL range, for RI/RX-415 .....	45.00
81-1132RK	Gas bag, Orange, Volume range, for RI/RX-415 .....	45.00



## Replacement Sensors For RX-515, RX-516, & RX-517

<u>Part#</u>	<u>Description</u>	<u>Suggested Retail</u>
61-5006RK	Sensor, IR, Methane (CH4) & Carbon Dioxide (CO2), RI/RX-415, model DE-3113-4 .....	1,260.00
61-5007RK	Sensor, IR, Hydrocarbons (HC) & Carbon Dioxide (CO2), RI/RX-415, RX-8000, model DE-3123-1 .....	1,260.00
65-1058RK	Sensor, Oxygen (O2), OS-BM1 for RX-8000, GX-8000, RX-515, -516, -517, GX-94 .....	150.00
ES-031M-CO	Sensor, Carbon Monoxide (CO), 0 - 1,000 ppm for RX-515 .....	225.00
ES-037R-H2S	Sensor, Hydrogen Sulfide (H2S), low range 0 - 100 ppm, ES-037R for RX-516/RX-517 .....	150.00
ES-037RM-H2S	Sensor, Hydrogen Sulfide (H2S), high range 0 - 1,000 ppm, ES-037R, for RX-517 .....	225.00

## Calibration Kits

Instrument #	Cal-Kit Part #	Cal-Kit Description	Price
73-0610RK	81-RX515-LV	Cal kit, RX-515, 34L cyl 10% vol CH4 in N2, 34L cyl 50% LEL CH4 in Air, 34L cyl 100 ppm CO in N2, 34L cyl 15% CO2 in N2, dispensing valve, three gas bags, case & tubing	620.00
73-0611RK 73-0612RK	81-RX517-LV	Cal kit, RX-517, 34L cyl 50 ppm H2S/50% LEL isobutane in N2, 17L cyl 10% vol isobutane/N2, disp valve, 6 LPM regulator, two gas bags, case & tubing	540.00



## Discontinued Portables Replacement Parts

### ***P-200 Series Hand Aspirated Single Gas (GP-204, NP-204, XP-204)***

<b>Part#</b>	<b>Description</b>	<b>Suggested Retail</b>
30-0401RK	Aspirator bulb for P-200 Series, with tubing .....	24.00
33-1031RK	Cotton balls, filters for probe, bag of 25 .....	4.00
49-1140RK	Size D alkaline battery .....	2.60
49-1240RK	Battery, Ni-Cad, D size .....	16.00
49-2011RK	Ni-Cad battery charger, 115 VAC (included with Ni-Cad version instruments only), P-200 series .....	50.00
57-8021RK	PC Board assembly, NP-204 .....	85.00
62-0107RK	Sensor/flame arrestor assembly, for NP-204, RKK Style, MS-6311 .....	140.00
62-0111-01	Sensor/flame arrestor/hardware, GP-204, RKK Style, converted from 62-0107RK .....	140.00
65-0601RK	Sensor, Oxygen (O2) (OS-B3), for EAGLE, EAGLE 2, or RX-415 .....	160.00
80-0007RK-03	Hose, 3', polyurethane, GX-1, GP-204, OX-1 .....	48.00
80-0007RK-10	Hose, 10', polyurethane, GX-1, GP-204, OX-1 .....	52.00
80-0150RK	Probe assembly, 10", with cotton ball filter .....	25.00
80-0155RK	Probe assembly, 30", aluminum, with cotton ball filter, for GX-2003/GX-2012/Gas Tracer .....	65.00
80-0200RK	Water trap, bowl type, for GP-204 .....	35.00
80-0221RK	Hydrophobic filter, GP-204.....	80.00
EL-7776	Filament set only, CH4, for GP-204 with RKK Style sensors .....	65.00
HW-6246	Filament set only, Isobutane, for GP-204 shipboard use only .....	65.00



### ***Calibration Kits***

<b>Instrument #</b>	<b>Cal-Kit Part #</b>	<b>Cal-Kit Description</b>	<b>Price</b>
72-0001RK	81-GP204	Cal kit, GP-204, 34L cyl CH4/Air, reg with gauge & knob, screwdriver, case & tubing	290.00
72-0004RK	81-NP204	Cal kit, NP-204, 34L cyl 50% LEL CH4/Air, 34L cyl 50% vol CH4/N2, reg with gauge & knob, screwdriver, case & tubing	345.00
72-0050RK	81-XP204	Cal kit, XP-204 34L cyl 100% N2, reg with gauge & knob, screwdriver, case & tubing	290.00

### ***FP-30 /FP-40 Formaldehyde Monitor Parts***

<b>Part#</b>	<b>Description</b>	<b>Suggested Retail</b>
30-0001RK	Pump with no cable for FP-85, FP-30, and FP-40 .....	200.00
65-TAB-008	Detection tablets for FP-31/-30/-40, box of 20, (1 test each) Formaldehyde (use for -008,-009,-010) .....	85.00

### ***RI-85 Hand Held Infrared CO2 Monitor Calibration Kits***



<b>Instrument #</b>	<b>Cal-Kit Part #</b>	<b>Cal-Kit Description</b>	<b>Price</b>
73-0570RK	81-RI85	Cal kit, RI-85, 34L cyl 5,000 ppm CO2/N2, 34L cyl 100% N2, disp valve, gas bag, case & tubing	265.00
73-0570RK-05	81-RI85-05	Cal kit, RI-85, 34L cyl 2.5% CO2/N2, 34L cyl 100% N2, disp valve, gas bag, case & tubing	265.00

# Discontinued Portables Replacement Parts

## GP-226 Dual Range Combustible Detector

<u>Part#</u>	<u>Description</u>	<u>Suggested Retail</u>
80-0009RK-10	Hose, 10', polyurethane, GX-2012/Gas Tracer/GX-20003/RP-3R/ RP-3R/RP-2009 .....	36.00
80-0012RK	Hose, 3' coiled, polyurethane, RI-411/RI-413A/GP-226/GX-8000/RX-8000 .....	45.00
80-0150RK	Probe assembly, 10", with cotton ball filter .....	25.00
80-0213RK	Water trap, bowl type, for GX-7/GP-226/RI-411/RI-413A .....	75.00
GE-4641-S2	LEL Sensor for GP-226, isobutane (HC) .....	80.00



## OX-1C Oxygen Sample Draw Detector

<u>Part#</u>	<u>Description</u>	<u>Suggested Retail</u>
30-0401RK	Aspirator bulb for P-200 Series, with tubing .....	24.00
33-1031RK	Cotton balls, filters for probe, bag of 25 .....	4.00
65-0601RK	Sensor, Oxygen (O2) (OS-B3), for EAGLE, EAGLE 2, or RX-415 .....	160.00
80-0007RK-10	Hose, 10', polyurethane, GX-1, GP-204, OX-1 .....	52.00
80-0150RK	Probe assembly, 10", with cotton ball filter .....	25.00
81-OX1	Cal kit, OX-1, 34L cyl 100% N2, reg with gauge & knob, screwdriver, case & tubing .....	290.00



## OX-07 Oxygen Monitor with available Extender Cable

<u>Part#</u>	<u>Description</u>	<u>Suggested Retail</u>
13-0215RK	Alligator clip for SC-01 & OX-07 .....	12.40
20-0322RK	Rubber boot for SC-01 & OX-07 .....	20.00
21-1875RK	Battery cover for SC-01 & OX-07 .....	26.00
21-1876RK	Sensor retainer with rubber guard and o-rings for SC-01 & OX-07 .....	70.00
47-1557RK-05	Extender cable, 5 meters for OX-07 .....	295.00
47-1557RK-10	Extender cable, 10 meters for OX-07 .....	360.00
47-1557RK-20	Extender cable, 20 meters for OX-07 .....	520.00
47-1557RK-30	Extender cable, 30 meters for OX-07 .....	660.00
81-OX07-LV	Cal kit, OX-07, 34L cyl 100% N2, reg with gauge & knob, cal cup, case & tubing .....	380.00
OS-B01	Sensor, Oxygen (O2), 0-40% vol, plug-in diffusion type, for OX-07 .....	195.00



## Calibration Kits

Instrument #	Cal-Kit Part #	Cal-Kit Description	Price
72-0009RK	81-OX07-LV	Cal kit, OX-07, 34L cyl 100% N2, reg with gauge & knob, cal cup, case & tubing	380.00

# Discontinued Portables Replacement Parts

## Portable Replacement Sensors

Description	Range	Part #	Price	
<b>GX-3R   GX-3R Pro   04 Series   GasWatch 3</b>				
LEL Hydrocarbon (GX-3R or GX-3R Pro)	LEL	0 - 100 % LEL	NCR-6309	150.00
Oxygen (GX-3R or GX-3R Pro, GW3 uses OS-BM2)	O2	0 - 40 % vol.	ESR-X13P-OXY	150.00
Carbon Monoxide / Hydrogen Sulfide (combo sensor)	CO/H2S	0 - 2000 ppm 0 - 200 ppm	ESR-A1DP-COHS	240.00
Carbon Monoxide / Oxygen (combo sensor)	CO/O2	0-2000 ppm 0-25 % vol	ESR-X1DP-CX	240.00
Carbon Monoxide	CO	0 - 2000 ppm	ESR-A13P-CO	150.00
Carbon Monoxide (with Hydrogen compensation)	CO	0 - 2000 ppm	ESR-A1CP-CO-H	240.00
Ammonia (GX-3R Pro or 04 Series)	NH3	0 - 400 ppm	ESR-B134-NH3	240.00
Chlorine (GX-3R Pro or 04 Series)	Cl2	0 - 10 ppm	ESR-B136-CL2	240.00
Hydrogen Sulfide	H2S	0 - 200 ppm	ESR-A13i-H2S	150.00
Hydrogen Cyanide (GX-3R Pro or 04 Series)	HCN	0 - 30 ppm	ESR-A13D-HCN	240.00
Nitrogen Dioxide (GX-3R Pro or 04 Series)	NO2	0 - 20 ppm	ESR-A13D-NO2	240.00
Phosphine (GX-3R Pro or 04 Series)	PH3	0 - 20.0 ppm	ESR-A13D-PH3	240.00
Sulfur Dioxide (GX-3R Pro or 04 Series)	SO2	0 - 100 ppm	ESR-A13D-SO2	240.00
<b>GX-2009   GX-2012   Gas Tracer   GX-6000   03 Series   01 Series   GasWatch 2   GasWatch 3 (O2)   GX-2001   GX-2003</b>				
LEL Hydrocarbon (GX-2001, GX-2003, & GX-2009, GX-2012, & GT.)	LEL	0 - 100 % LEL	NC-6264A	120.00
Oxygen	O2	0 - 40 % vol.	OS-BM2	120.00
Carbon Monoxide	CO	0 - 500 ppm	ES-1821	140.00
Hydrogen Sulfide	H2S	0 - 100 ppm	ES-1827i	140.00
TC % volume (GX-2003, GX-2012, or Gas Tracer)	VOL	0-100% vol	TE-7561	160.00
PPM Methane (Gas Tracer only)	PPM	0 - 5,000 ppm	SH-8641	150.00
<b>GX-6000</b>				
VOC's low range (10.6 eV)	VOC	0-50 ppm	PID-001L	1,700.00
VOC's high range (10.6 eV)	VOC	0-6,000 ppm	PID-002L	1,300.00
VOC's (10.0 eV)	VOC	0-100 ppm	PID-003L	2,100.00
VOC's (11.7 eV)	VOC	0-1000 ppm	PID-004	2,000.00
Methane IR auto range	CH4	0-100% LEL/vol	DES-3311-3	400.00
Hydrocarbons IR auto range	HC	0-100%LEL/30% vol	DES-3311-2	400.00
Carbon Dioxide IR	CO2	0-10,000 ppm	DES-3311-4	400.00
Carbon Dioxide IR	CO2	0-5% vol	DES-3311-1	400.00
Ammonia	NH3	0-400 ppm	ESS-B332-NH3	260.00
Chlorine	Cl2	0-10 ppm	ESS-B335-CL2	260.00
Hydrogen Cyanide	HCN	0-15 ppm	ESS-03DH-HCN	260.00
Nitrogen Dioxide	NO2	0-9 ppm	ESS-03DH-NO2	260.00
Sulfur Dioxide	SO2	0-6 ppm	ESS-03DH-SO2	260.00
Phosphine	PH3	0-20 ppm	ESS-03DH-PH3	260.00

# Portable Replacement Sensors

Description	Range	Part #	Price
<b>EAGLE 2 Series</b>			
LEL / ppm, plug-in	CH4	0 - 100 % LEL	NC-6260B 200.00
Oxygen (OS-B3)	O2	0 - 40 % vol	65-0601RK 160.00
Carbon Monoxide	CO	0 - 500 ppm	65-2005RK 195.00
Hydrogen Sulfide	H2S	0 - 100 ppm	ES-87RW-H2S 195.00
LEL Hydrogen only	H2	0 - 100 % LEL	61-0155RK 250.00
Methane / Hydrogen	CH4	0 - 100% vol	TE-7568 360.00
VOC's low range	VOC	0 - 50 ppm	61-0302 1,100.00
PID replacement lamp low range	VOC	0 - 50 ppm	51-1503 220.00
PID replacement lamp high range	VOC	0 - 2,000 ppm	51-1503 220.00
Arsine	AsH3	0 - 1.50 ppm	ESM-01DH-ASH3 195.00
Ammonia	NH3	0 - 75 ppm	ESM-01R-NH3 195.00
Chlorine	Cl2	0 - 3 ppm	ESM-K01-CL2 195.00
Carbon Dioxide IR	CO2	0 - 10,000 ppm	DEM-3313-4 750.00
Carbon Dioxide IR	CO2	0 - 5 % vol	DEM-3313-1 750.00
Carbon Dioxide IR	CO2	0 - 60 % vol	DEM-3313-5 750.00
Hydrogen Cyanide	HCN	0 - 15 ppm	ESM-01DH-HCN 195.00
Hydrocarbon autoranging IR	HC	0 - 100 %/30 % vol	DEM-3313-2 750.00
Methane autoranging IR	CH4	0 - 100 %/100 % vol	DEM-3313-3 750.00
Methane IR (volume only)	CH4	0 - 100 % vol	DEM-3313-3A 750.00
Phosphine	PH3	0 - 1.0 ppm	ESM-01DH-PH3 195.00
Sulfur Dioxide	SO2	0 - 6 ppm	ESM-01DH-F-SO2 195.00
<b>EAGLE Series</b>			
LEL / ppm Hydrocarbon	LEL	0 - 100 % LEL	62-0125RK 200.00
Oxygen (sample draw EAGLE only)	O2	0 - 40 % vol.	65-0601RK 160.00
Oxygen (diffusion EAGLE only)	O2	0 - 40 % vol.	65-0613RK 160.00
Carbon Monoxide	CO	0 - 500 ppm	65-2005RK 195.00
Hydrogen Sulfide	H2S	0 - 100 ppm	65-2035RK 195.00
Ammonia (new style, higher range optional)	NH3	0 - 75 ppm	ES-23R-NH3 465.00
Arsine (0 - 0.200 ppm or 0 - 1.00 ppm)	AsH3	0 - 0.200 ppm	ES-23AHS-ASH3 465.00
Bromine	Br2	0 - 1.00 ppm	ES-K233-BR2 465.00
Carbon Monoxide	CO	0 - 150 ppm	ES-23-CO 465.00
Chlorine	Cl2	0 - 3.00 ppm	ES-K233-CL2 465.00
Chlorine Dioxide	ClO2	0 - 1.00 ppm	ES-23AH-D-CL2 465.00
Diborane	B2H6	0 - 30 ppm	ES-23AH-B2H6 465.00
Diborane	B2H6	0 - 0.30 ppm	ES-23AY-B2H6 465.00
Fluorine	F2	0 - 5.00 ppm	ES-K233-F2 465.00
Hydrogen Bromide	HBr	0 - 9.00 ppm	ES-23E-HBR 465.00
Hydrogen Chloride (Acid gas "Family" sensor)	HCl	0 - 15 ppm	ES-K233-HCL 465.00
Hydrogen Chloride (No Cl2 response)	HCl	0 - 15 ppm	ES-23E-HCL 465.00
Hydrogen Cyanide	HCN	0 - 30 ppm	ES-23DH-HCN 465.00
Hydrogen Fluoride	HF	0 - 9.00 ppm	ES-K233-HF 465.00
Hydrogen Iodide	HI	0 - 5 ppm	ES-23E-HI 465.00
Hydrogen Peroxide	H2O2	0 - 3 ppm	ES-23DH-H2O2 465.00

# Portable Replacement Sensors

Description		Range	Part #	Price
<b>EAGLE Series</b>				
Hydrogen Sulfide	H2S	0 - 1.00 ppm	ES-23AH-H2S	465.00
Hydrogen Sulfide	H2S	0 - 30 ppm	ES-237-H2S	465.00
Iodine	I2	0 - 1 ppm	ES-K233-I2	465.00
Nitric Acid	HNO3	0 - 20 ppm	ES-K233-HNO3	465.00
Nitrogen Dioxide	NO2	0 - 15 ppm	ES-23AH-NO2	465.00
Nitric Oxide	NO	0 - 100 ppm	ES-23A-NO	465.00
Ozone	O3	0 - 1.00 ppm	ES-K239C-O3	465.00
Phosphine	PH3	0 - 1.00 ppm	ES-23AH-PH3	465.00
Sulfur Dioxide	SO2	0 - 30 ppm	ES-23E-SO2	465.00
Sulfur Dioxide (New style)	SO2	0 - 10 / 6 ppm	ES-238-SO2	465.00
Silane (old style, no H2 response)	SiH4	0 - 15 ppm	ES-23AH-SIH4	465.00
<b>Diffusion EAGLE</b>				
LEL	LEL	0 - 100% LEL	62-0125RK	200.00
Oxygen	O2	0 - 40 % vol.	65-0613RK	160.00
Carbon Monoxide	CO	0 - 500 ppm	65-2005RK	195.00
Hydrogen Sulfide	H2S	0 - 100 ppm	65-2035RK	195.00
<b>GX-94 Series   CO-94 / HS-94 / OX-94   GasWatch 1</b>				
LEL	LEL	0 - 100% LEL	61-0217RK	160.00
Oxygen	O2	0 - 40% vol	65-1058RK	150.00
Carbon Monoxide	CO	0 - 500 ppm	65-2008RK	175.00
Hydrogen Sulfide	H2S	0 - 100 ppm	65-2038RK	175.00
<b>GX-82 / GX-86 Series   GX-82A / GX-86A Series</b>				
LEL	LEL	0 - 100% LEL	61-0220RK	80.00
LEL filaments only	LEL		60-5010RK	40.00
Carbon Monoxide	CO	0 - 500 ppm	65-2003RK	175.00
Hydrogen Sulfide	H2S	0 - 100 ppm	65-2033RK	175.00
<b>NP-85</b>				
LEL Hydrocarbon	LEL	0 - 100 % LEL	HW-6255	230.00
% Volume Hydrocarbon		0 - 100 % vol.	TE-7557	275.00
<b>P-200 Series: GP-204 / NP-204 / XP-204</b>				
LEL Sensor / flame arrestor assembly for GP-204, RKK style, CH4	LEL	0 - 100 % LEL	62-0111-01	140.00
LEL filaments only, Methane (GP-204, USA version)	LEL	0 - 100 % LEL	EL-7776	65.00
LEL filaments only, isobutane (standard for Marine use version only)	LEL	0 - 100 % LEL	HW-6246	65.00
LEL Sensor / flame arrestor assembly for NP-204, USA version	LEL	0 - 100 % LEL	62-0107RK	140.00
Oxygen Sensor for XP-204 (OS-B3)	O2	0 - 40 % vol.	65-0601RK	160.00
<b>82 Series: GP-82 / OX-82 / CO-82 / HS-82 / SO-82</b>				
LEL for GP-82	LEL	0 - 100 % LEL	61-0220RK	80.00
LEL filaments only for GP-82			60-5010RK	40.00
Carbon Monoxide for CO-82	CO	0 - 300 ppm	65-2003RK	175.00
Hydrogen Sulfide for HS-82	H2S	0 - 100 ppm	65-2033RK	175.00

# Portable Replacement Sensors

Description		Range	Part #	Price
91 Series: CO - 91 / HS-91 / OX-91 / SO-91				
Carbon Monoxide for CO-91	CO	0 - 150 ppm	65-2003RK	175.00
Hydrogen Sulfide for HS-91	H2S	0 - 30 ppm	65-2033RK	175.00
GX-91B				
LEL	LEL	0 - 100 % LEL	61-0220RK	80.00
LEL filaments only			60-5010RK	40.00
Carbon Monoxide	CO	0 - 300 ppm	65-2003RK	175.00
Hydrogen Sulfide	H2S	0 - 100 ppm	65-2033RK	175.00

GP-85N   GP-88   GX-85N				
LEL	LEL	0 - 100 % LEL	HW-6257	175.00
Oxygen	O2	0 - 25 %	65-1051RK	140.00
GP-226				
LEL	LEL	0 - 100 % LEL	GE-4641-S2	80.00
GX-4000A   GX-111				
LEL (NS-2900-M)	LEL	0 - 100 % LEL	62-0126RK	800.00
Oxygen (OS-B3)	O2	0 - 25 % vol.	65-0601RK	160.00
Carbon Monoxide (ES-81)	CO	0 - 300 ppm	65-2003RK	175.00
Hydrogen Sulfide (ES-87A)	H2S	0 - 100 ppm	65-2033RK	175.00
GX-7				
LEL (GE-5740-C2/B)	LEL	0 - 100 % LEL	62-0121RK	80.00
GX-8000				
LEL	LEL	0 - 100 % LEL	NC-6215	360.00
% Volume Combustibles	HC	0 - 100% vol.	TE-7515	360.00
Oxygen	O2	0 - 40% vol.	65-1058RK	150.00
Carbon Monoxide	CO	0 - 500 ppm	65-2008RK	175.00
Hydrogen Sulfide	H2S	0 - 100 ppm	ES-037i-H2S	280.00
NC-1000				
Combustibles	HC	0 - 1,000/10,000 ppm	NC-6307	360.00
NP-237H				
LEL, Methane, Propane or Isobutane	LEL	0 - 100 % LEL	62-0135RK	275.00
% Volume, Methane, Propane or Isobutane	%VOL	0 - 20 % vol.	62-0136RK	275.00
OX-1				
Oxygen (OS-B3)	O2	0 - 25 % vol.	65-0601RK	160.00
OX-07				
Oxygen	O2	0 - 25 % vol.	OS-B01	195.00
RI-415   RX-415				
Methane (IR)	CH4	0 - 100% LEL / vol.	61-5006RK	1,260.00
Hydrocarbons (IR)	HC	0 - 100% LEL / vol.	61-5007RK	1,260.00
Oxygen	O2	0 - 40% vol.	65-0601RK	160.00

# Portable Replacement Sensors

Description	Range	Part #	Price	
<b>RX-515   RX-516   RX-517</b>				
Methane (IR)	CH4	0 - 100% LEL / vol.	61-5006RK	1,260.00
Hydrocarbons (IR)	HC	0 - 100% LEL / vol.	61-5007RK	1,260.00
Oxygen	O2	0 - 40% vol.	65-1058RK	150.00
Carbon Monoxide	CO	0 - 1,000 ppm	ES-031M-CO	225.00
Hydrogen Sulfide	H2S	0 - 100 ppm	ES-037R-H2S	150.00
Hydrogen Sulfide	H2S	0 - 1,000 ppm	ES-037RM-H2S	225.00
<b>RX-8000</b>				
Oxygen	O2	0 - 40% vol.	65-1058RK	150.00
Methane (IR)	CH4	0 - 100% LEL / vol.	DE-3113-13	1,300.00
Hydrocarbons	HC	0 - 100% LEL / vol.	DE-3123-4	1,300.00
<b>SC-01</b>				
Ammonia	NH3	0 - 75 ppm	ESM-01R-D-NH3	195.00
Arsine	AsH3	0 - 1.50 ppm	ESM-01DH-ASH3	195.00
Carbon Monoxide	CO	0 - 75 ppm	ESM-011-CO	195.00
Chlorine	Cl2	0 - 3 ppm	ESM-K01-D-CL2	195.00
Hydrogen Cyanide	HCN	0 - 15 ppm	ESM-01DH-HCN	195.00
Hydrogen Sulfide	H2S	0 - 30 ppm	ESM-017-H2S	195.00
Phosphine	PH3	0 - 1.0 ppm	ESM-01DH-PH3	195.00
Sulfur Dioxide	SO2	0 - 6 ppm	ESM-01DH-D-SO2	195.00
<b>SC-90</b>				
Arsine	AsH3	0 - 1.00 ppm	ES-23AHS-ASH3	465.00
Bromine	Br2	0 - 1.00 ppm	ES-K233-BR2	465.00
Carbon Monoxide	CO	0 - 300 ppm	ES-23-CO	465.00
Chlorine	Cl2	0 - 3.00 ppm	ES-K233-CL2	465.00
Diborane	B2H6	0 - 30 ppm	ES-23AH-B2H6	465.00
Fluorine	F2	0 - 5.00 ppm	ES-K233-F2	465.00
Hydrogen Chloride	HCl	0 - 15 ppm	ES-K233-HCL	465.00
Hydrogen Fluoride	HF	0 - 9.00 ppm	ES-K233-HF	465.00
Hydrogen Sulfide, 0 - 30 ppm	H2S	0 - 30 ppm	ES-237-H2S	465.00
Hydrogen Sulfide, 0 - 1.0 ppm	H2S	0 - 1.0 ppm	ES-23AH-H2S	465.00
Nitrogen Dioxide	NO2	0 - 15 ppm	ES-23AH-NO2	465.00
Nitric Oxide	NO	0 - 100 ppm	ES-23A-NO	465.00
Ozone, 0 - 1.0 ppm	O3	0 - 1.00 ppm	ES-K239C-O3	465.00
Phosphine	PH3	0 - 1.00 ppm	ES-23AH-PH3	465.00
Sulfur Dioxide	SO2	0 - 30 ppm	ES-23E-SO2	465.00
Silane	SiH4	0 - 15 ppm	ES-23AH-SiH4	465.00



# Portable Replacement Sensors

Description	Range	Part #	Price	
<b>SC-8000</b>				
Ammonia	NH3	0 - 75 ppm	ESM-23R-NH3	480.00
Ammonia (high humidity use)	NH3	0 - 75 ppm	ESM-23RH-NH3	480.00
Arsine	AsH3	0 - 0.2 ppm	ESM-23AHS-ASH3	480.00
Carbon Monoxide	CO	0 - 150 ppm	ESM-23-CO	480.00
Chlorine	Cl2	0 - 3 ppm	ESM-K233-CL2	480.00
Chlorine Trifluoride	ClF3	0 - 0.6 ppm	ESM-K233CS-CLFC	480.00
Diborane	B2H6	0 - 0.3 ppm	ESM-23AY-B2H6	480.00
Disilane	SiH6	0 - 15 ppm	ESM-23DH-SI2H6	480.00
Fluorine	F2	0 - 3 ppm	ESM-K233-F2	480.00
Germane	GeH4	0 - 0.8 ppm	ESM-23DH-GEH4	480.00
Hydrogen Bromide	HBr	0 - 9 ppm	ESM-23E-HBR	480.00
Hydrogen Chloride (with H2 response)	HCl	0 - 15 ppm	ESM-23E-HCL	480.00
Hydrogen Chloride	HCl	0 - 15 ppm	ESM-K233-HCL	480.00
Hydrogen Cyanide	HCN	0 - 30 ppm	ESM-23DH-HCN	480.00
Hydrogen Fluoride	HF	0 - 9 ppm	ESM-K233-HF	480.00
Hydrogen Peroxide	H2O2	0 - 0.50 ppm	ESM-23DH-H2O2-1	480.00
Hydrogen Peroxide	H2O2	0 - 3.00 ppm	ESM-23DH-H2O2	480.00
Methyl Silane	CH3SiH3	0 - 20 ppm	ESM-23DH-MS	480.00
Nitrogen Dioxide	NO2	0 - 15 ppm	ESM-23AH-NO2	480.00
Ozone	O3	0 - 1.0 ppm	ESM-K239C-O3	480.00
Phosphine	PH3	0 - 1 ppm	ESM-23AH-PH3	480.00
Silane (with H2 response)	SiH4	0 - 15 ppm	ESM-23DH-SIH4	480.00
Silane	SiH4	0 - 15 ppm	ESM-23AH-SIH4	480.00
Sulfur Dioxide (high)	SO2	0 - 30 ppm	ESM-23E-SO2	480.00
Sulfur Dioxide (low)	SO2	0 - 6 ppm	ESM-238-SO2	480.00
<b>SP-205ASC</b>				
Methane	CH4	0 - 100 % LEL	62-0160A	195.00
Halocarbons	CFC		62-0160ALF	195.00
Phosphine (also detects AsH3, Br2, SiH4, & H2)	PH3		62-0160ASC	195.00
<b>SP-220</b>				
Methane & LPG versions	CH4	-	SH-8661	350.00
Fumigant and SC versions	-	-	SH-8662	425.00
<b>SP-237H</b>				
LEL Combustibles	LEL	0-100% LEL	62-0127RK	275.00
PPM Combustible	PPM	0-50,000 ppm	62-0128RK	275.00
<b>GT / Innova</b>				
Oxygen	O2		65-0612RK	160.00

# Calibration Equipment

## Cal Kit Cases



**20-0110RK-01**  
Two Cylinder Case  
Sizes: 34AL, 34L



**20-0121RK**  
Two Cylinders Case  
Sizes: 103L, 58AL, 34AL, 34L



**20-0111RK-01**  
Three Cylinder Case  
Sizes: 103L, 58AL, 34AL, 34L






**20-0114RK-02**  
Four Cylinder Case  
Sizes: 103L, 58AL, 34AL, 34L



# Calibration Equipment

## Regulators For 17 / 34 L Steel Cylinders

Regulators are necessary equipment used to accurately deliver calibration gas from a cylinder to an instrument. Each regulator is designed to fit on a specific set of cylinders. Most of the RKI regulators are designed for non refillable cylinders. There are two common fittings these regulators use to connect to the non refillable cylinders. One common fitting is a CGA 600 connection and fits on the 17 (no part number suffix) & 34 (-01 part number suffix) liter steel cylinders. Make sure the regulator you purchase fits the cylinder you have.

These Regulators		
	 <b>Most commonly ordered</b>	
81-1001RK Dispensing Valve No flow control \$28.00	81-1050RK Regulator Model 713 w/ gauge & knob, 0.5 LPM flow \$125.00	81-1055RK Demand Flow Regulator Model 2007 for 17/34 liter steel cylinder \$280.00
CGA 600 inlet, 3/16" hose barb outlet		






Fit These Cylinders	
	
17 Liter Steel Cylinder No p/n suffix	34 Liter Steel Cylinder -01
CGA 600 valve	

# Calibration Equipment

## Regulators For 34L / 58L / 116L Aluminum & 103L Steel

The second common fitting is the 5/8 x 18 UNF fitting which connects to the 34 & 58 liter aluminum cylinders (-04 & -02 part number suffix) and the 58 & 103 liter steel cylinders (-05 & -03 part number suffix). Make sure the regulator you purchase fits the cylinder you have.

These Regulators		
 <p><b>Most commonly ordered</b></p>		
81-1054RK Demand Flow Regulator Model 2004 \$280.00	81-1051RK Regulator Model 715 with gauge & knob, 0.5 LPM flow rate \$125.00	81-1004RK Regulator Model 705 with gauge & no knob 0.5 LPM flow rate \$100.00
5/8" x 18 thread inlet, 3/16" hose barb outlet (C-10)		



Fit These Cylinders				
				
58 Liter Steel -05	34 Liter Aluminum -04	103 Liter Steel -03	58 Liter Aluminum -02	116 Liter Aluminum -116
5/8" x 18 thread valve				

# Calibration Equipment

## Knobs and Gauges

Regulators can be equipped with an on / off knob or a pressure gauge to show how much gas is in the cylinder. Most of the Low Volume (-LV) type cal kits are equipped with regulators that include an on / off knob and a pressure gauge, in order to offer the easiest to use calibration kit.



## Cylinders

Cylinder part numbers have a 2 digit suffix which indicate the cylinder size for that particular gas mixture. The 2 digit suffix numbers indicate the following cylinders:

Part # Suffix	Cylinder Size
no suffix	= 17 liter steel cylinder (17L)
-01	= 34 liter steel cylinder (34L)
-02	= 58 liter aluminum cylinder (58AL)
-H02	= 58 liter aluminum cylinder (58AL, 1000 psi)
-03	= 103 liter steel cylinder (103L)
-04	= 34 liter aluminum cylinder (34AL)
-H04	= 34 liter aluminum cylinder (34AL/44ES, 825 psi)
-05	= 58 liter steel cylinder (58L)
-116	= 116 liter aluminum cylinder (116AL)

### Cylinder SDS Documents

Available Online

[www.rkiinstruments.com/sds](http://www.rkiinstruments.com/sds)

## Calibration Cylinders

Part#	Description	Suggested Retail
81-0154RK-06	Bump test cylinder, H2S 40 ppm / CO 100 ppm / Methane 50% LEL / O2 12% in N2, 11AL aerosol	55.00
81-0154RK-06-10	Bump test cylinder, H2S 40 ppm / CO 100 ppm / Methane 50% LEL / O2 12% in N2, 11AL aerosol, with balloon and cal cup for GX-2009	75.00
81-0154RK-06-11	Bump test cylinder, H2S 40 ppm / CO 100 ppm / Methane 50% LEL / O2 12% in N2, 11AL aerosol, with red plastic straw and gas bag for GX-2012	75.00
81-0028RK	Cylinder, Acetylene 50% LEL in air, 17L steel	45.00
81-9020RK-02	Cylinder, Benzene 100 ppm in air, 58AL	150.00
81-0100RK-04	Cylinder, Benzene 5 ppm in air, 34AL	130.00
81-0100RK-02	Cylinder, Benzene 5 ppm in air, 58AL	150.00
81-0189RK-02	Cylinder, Carbonyl Sulfide (COS) 10 ppm in air, 58AL	160.00
81-0188RK-02	Cylinder, Carbonyl Sulfide (COS) 40 ppm in air, 58AL	220.00
81-9051RK-02	Cylinder, CH2O 5 ppm in air, 58AL	260.00
81-9050RK-02	Cylinder, CH2O 5 ppm in N2, 58AL	260.00
81-0085RK-03	Cylinder, CH4 1,000 ppm air, 103L steel	150.00
81-0085RK-01	Cylinder, CH4 1,000 ppm in air, 34L steel	55.00
81-9023RK-03	Cylinder, CH4 10,000 ppm in air, 103L	150.00
81-9023RK-01	Cylinder, CH4 10,000 ppm in air, 34L steel	55.00
81-0010RK-03	Cylinder, CH4 10% LEL in air, 103L steel	150.00
81-0010RK-01	Cylinder, CH4 10% LEL in air, 34L steel	55.00
81-0011RK-01	Cylinder, CH4 10% vol in N2, 34L steel	55.00
81-0016RK-05	Cylinder, CH4 100% volume 58L steel	150.00
81-0020RK-03	Cylinder, CH4 20% LEL in air, 103L steel	150.00
81-0012RK-23	Cylinder, CH4 25% LEL in air, 103L	150.00
81-0012RK-21	Cylinder, CH4 25% LEL in air, 34L steel	55.00
81-9041RK-01	Cylinder, CH4 30% LEL in air, 34L steel	55.00
81-001235-552	Cylinder, CH4 35% LEL in N2, 552L	360.00
81-0031RK-01	Cylinder, CH4 40% LEL (2% vol) in air, 34L steel	55.00
81-001240-01	Cylinder, CH4 40% LEL in air, 34L steel	55.00
81-0015RK-03	Cylinder, CH4 5% LEL in air, 103L steel	150.00
81-0080RK-03	Cylinder, CH4 50 ppm in air, 103L steel	150.00
81-0012RK-01	Cylinder, CH4 50% LEL in air, 34L steel	55.00
81-0101RK-03	Cylinder, CH4 50% LEL/17% O2 in N2, 103L steel	150.00
81-0012RK-03	Cylinder, CH4 50% LEL/air, 103L steel	150.00
81-0013RK-03	Cylinder, CH4 50% volume in N2, 103L	150.00
81-0013RK-01	Cylinder, CH4 50% volume in N2, 34L steel	55.00
81-0013RK-05	Cylinder, CH4 50% volume in N2, 58L steel	160.00
81-0079RK-03	Cylinder, CH4 500 ppm in air, 103L steel	150.00
81-0079RK-01	Cylinder, CH4 500 ppm in air, 34L steel	55.00

# Calibration Equipment

## Calibration Cylinders

<b>Part#</b>	<b>Description</b>	<b>Suggested Retail</b>
81-0086RK-01	Cylinder, CH4 5000 ppm in air, 34L steel	55.00
81-9042RK-01	Cylinder, CH4 60% LEL in air, 34L steel	55.00
81-001265-552	Cylinder, CH4 65% LEL in N2, 552L	360.00
81-0191RK-04	Cylinder, Cl2 10 ppm in N2, 34AL	220.00
81-0191RK-02	Cylinder, Cl2 10 ppm in N2, 58AL	340.00
81-0192RK-04	Cylinder, Cl2 2 ppm in N2, 34AL	220.00
81-0192RK-02	Cylinder, Cl2 2 ppm in N2, 58AL	340.00
81-9049RK-02	Cylinder, Cl2 25 ppm in N2, 58AL	350.00
81-0190RK-04	Cylinder, Cl2 5 ppm in N2, 34AL	220.00
81-0190RK-02	Cylinder, Cl2 5 ppm in N2, 58AL	340.00
81-0065RK-03	Cylinder, CO 100 ppm in air, 103L steel	150.00
81-0065RK-01	Cylinder, CO 100 ppm in air, 34 liter	55.00
81-0068RK-03	Cylinder, CO 100 ppm in N2, 103L steel	150.00
81-0068RK-01	Cylinder, CO 100 ppm in N2, 34L steel	55.00
81-0063RK-03	Cylinder, CO 20 ppm in air, 103L	150.00
81-0063RK-01	Cylinder, CO 20 ppm in air, 34L steel	55.00
81-0066RK-03	Cylinder, CO 200 ppm in air, 103L steel	150.00
81-0066RK-01	Cylinder, CO 200 ppm in air, 34L steel	55.00
81-0069RK-03	Cylinder, CO 200 ppm in N2, 103L steel	150.00
81-0069RK-01	Cylinder, CO 200 ppm in N2, 34L steel	55.00
81-0060RK-01	Cylinder, CO 40 ppm in air, 34L steel	55.00
81-0061RK-01	Cylinder, CO 5% volume in N2, 34L steel	55.00
81-0090RK-03	Cylinder, CO 50 ppm / CH4 50% LEL / O2 12 % in N2, 103L steel	150.00
81-0090RK-01	Cylinder, CO 50 ppm / CH4 50% LEL / O2 12 % in N2, 34L steel	55.00
81-9043RK-03	Cylinder, CO 50 ppm / CO2 5000 ppm / O2 12% / CH4 50% LEL in air, 103L	150.00
81-9043RK-01	Cylinder, CO 50 ppm / CO2 5000 ppm / O2 12% / CH4 50% LEL in air, 34L steel	55.00
81-0089RK-03	Cylinder, CO 50 ppm / Hexane 15% LEL / O2 12 % in N2, 103L steel	150.00
81-0089RK-01	Cylinder, CO 50 ppm / Hexane 15% LEL / O2 12 % in N2, 34L steel	55.00
81-0064RK-03	Cylinder, CO 50 ppm in air, 103L steel	150.00
81-0064RK-01	Cylinder, CO 50 ppm in air, 34L steel	55.00
81-0064RK-02	Cylinder, CO 50 ppm in air, 58AL	150.00
81-0062RK-03	Cylinder, CO 50 ppm in N2, 103L steel	150.00
81-0062RK-01	Cylinder, CO 50 ppm in N2, 34L steel	55.00
81-0096RK-01	Cylinder, CO2 13.8% vol / Butane 8% vol in N2, 34L steel	55.00
81-0073RK-03	Cylinder, CO2 15% in N2, 103L steel	150.00
81-0073RK-04	Cylinder, CO2 15% in N2, 34AL	150.00
81-0073RK-01	Cylinder, CO2 15% in N2, 34L steel	55.00
81-0072RK-03	Cylinder, CO2 2.5% in N2, 103L steel	150.00
81-0072RK-01	Cylinder, CO2 2.5% in N2, 34L steel	55.00
81-0099RK-01	Cylinder, CO2 20% in N2, 34L steel	55.00
81-0070RK-03	Cylinder, CO2 2000 ppm in N2, 103L steel	150.00
81-0070RK-01	Cylinder, CO2 2000 ppm in N2, 34L steel	55.00
81-0025RK-01	Cylinder, CO2 35% / CH4 50% volume balance N2, 34L steel	55.00
81-0098RK-03	Cylinder, CO2 4% in N2 103L	160.00
81-0027-05	Cylinder, CO2 40% / CH4 60% volume in N2, 58L steel	130.00
81-0097RK-01	Cylinder, CO2 50% in N2, 34L steel	55.00
81-0071RK-03	Cylinder, CO2 5000 ppm in N2, 103L steel	150.00
81-0071RK-01	Cylinder, CO2 5000 ppm in N2, 34L steel	55.00
81-0077RK-01	Cylinder, Compressed air, 34L steel	55.00
81-9033RK-08	Cylinder, Ethane 99% vol, 100AL, partial pressure 300 psi	220.00
81-0029RK	Cylinder, Ethylene 100% vol, 17L steel	45.00
81-0030RK-03	Cylinder, Ethylene 2000 ppm in air, 103L	150.00
81-9062RK-04	Cylinder, Ethylene Oxide 5 ppm in Air, 34AL	270.00
81-9038RK-02	Cylinder, Ethylene Oxide 50 ppm in air, 58AL	180.00
81-0032RK-03	Cylinder, H2 250 ppm in air, 103L	150.00
81-0032RK-01	Cylinder, H2 250 ppm in air, 34L steel	55.00
81-9024RK-01	Cylinder, H2 4% vol in argon, 34L steel	55.00
81-0022RK-01	Cylinder, H2 4% vol in N2, 34L steel	55.00
81-0001-01	Cylinder, H2 40% LEL (1.6% vol) in air, 34L steel	55.00

# Calibration Equipment

## Calibration Cylinders

Part#	Description	Suggested Retail
81-0002RKA-01	Cylinder, H2 50% LEL/O2 12% in N2, 34L steel .....	55.00
81-0000RK-71	Cylinder, H2 500 ppm in air, 34L steel .....	55.00
81-0001RK-60	Cylinder, H2 60% LEL in air, 34L steel.....	55.00
81-0023RK-01	Cylinder, H2 8% volume in N2, 34L steel .....	120.00
81-0001RK-23	Cylinder, H2, 1.2%(30% LEL) in air, 103L steel .....	150.00
81-0001RK-21	Cylinder, H2, 1.2%(30% LEL) in air, 34L steel .....	55.00
81-0001RK-31	Cylinder, H2, 1.3% vol (33 % LEL) in air, 34L steel .....	55.00
81-0000RK-03	Cylinder, H2, 1000 ppm in air, 103L steel .....	150.00
81-0000RK-01	Cylinder, H2, 1000 ppm in air, 34L steel.....	55.00
81-0001RK-33	Cylinder, H2, 2% in Helium, 103L steel .....	550.00
81-0000RK-51	Cylinder, H2, 200 ppm in air, 34L steel .....	55.00
81-0000RK-23	Cylinder, H2, 2000 ppm in air, 103L steel .....	150.00
81-0000RK-21	Cylinder, H2, 2000 ppm in air, 34L steel.....	55.00
81-0001RK-01	Cylinder, H2, 25% LEL in air, 34L steel .....	55.00
81-0000RK-41	Cylinder, H2, 3000 ppm in air, 34L steel.....	55.00
81-0000RK-33	Cylinder, H2, 4000 ppm in air, 103L steel .....	150.00
81-0000RK-31	Cylinder, H2, 4000 ppm in air, 34L steel.....	55.00
81-0002RK-03	Cylinder, H2, 50% LEL in air, 103L steel .....	150.00
81-0002RK-01	Cylinder, H2, 50% LEL in air, 34L steel .....	55.00
81-0000RK-73	Cylinder, H2, 500 ppm in air, 103L steel.....	150.00
81-0000RK-63	Cylinder, H2, 5000 ppm in air, 103L steel .....	150.00
81-0000RK-61	Cylinder, H2, 5000 ppm in air, 34L steel.....	55.00
81-0147RK-02	Cylinder, H2S 1 ppm in N2, 58AL .....	190.00
81-0138RK-04	Cylinder, H2S 10 ppm / CO 300 ppm / CH4 1.45 % vol / O2 15% vol in N2, 34AL .....	150.00
81-9018RK-02	Cylinder, H2S 10 ppm / CO 50 ppm / O2 18% / CH4 50% LEL in N2, 58AL .....	220.00
81-9012RK-04	Cylinder, H2S 10 ppm / CO 60 ppm / CH4 58% LEL / O2 15% in N2, 34AL .....	150.00
81-0150RK-04	Cylinder, H2S 10 ppm in N2, 34AL .....	130.00
81-0150RK-02	Cylinder, H2S 10 ppm in N2, 58AL .....	150.00
81-0139RK-04	Cylinder, H2S 20 ppm / CO 60 ppm / CH4 1.45% vol / O2 15% in N2, 34AL.....	150.00
81-0141RK-04	Cylinder, H2S 20 ppm / CO 60 ppm / CH4 29% LEL / O2 15% in N2, 34AL .....	150.00
81-9013RK-01	Cylinder, H2S 20 ppm / CO 60 ppm / CH4 58% LEL / O2 15% in N2, 34AL .....	150.00
81-0136RK-02	Cylinder, H2S 20 ppm / CO 60 ppm / Pentane 58% LEL / CO2 2.5% / O2 15% in N2, 58AL .....	300.00
81-0135RK-02	Cylinder, H2S 20 ppm / CO 60 ppm / Pentane 58% LEL / O2 15% in N2, 58AL .....	280.00
81-0146RK-02	Cylinder, H2S 200 ppm in N2, 58AL .....	150.00
81-0161RK-02	Cylinder, H2S 25 ppm / CO 100 ppm / CH4 50% LEL (2.5% vol) / O2 18% in N2, 58AL .....	220.00
81-0162RK-02	Cylinder, H2S 25 ppm / CO 100 ppm / CH4 50% LEL (2.5% vol) / O2 19% in N2, 58AL .....	220.00
81-0161RK-04	Cylinder, H2S 25 ppm / CO 100 ppm / CH4 50% LEL (2.5% vol)/O2 18% in N2, 34AL .....	150.00
81-0137RK-02	Cylinder, H2S 25 ppm / CO 100 ppm / CH4 50% LEL / O2 18% in N2, 58AL.....	240.00
81-0162RK-04	Cylinder, H2S 25 ppm / CO 100 ppm / CH4 50% LEL(2.5% vol)/O2 19% in N2, 34AL .....	150.00
81-0164RK-02	Cylinder, H2S 25 ppm / CO 150 ppm / CH4 50% LEL (2.5% vol) / O2 15% in N2, 58AL .....	220.00
81-0154RK-116	Cylinder, H2S 25 ppm / CO 50 ppm / CH4 50% LEL / O2 12% in N2, 116AL.....	320.00
81-0154RK-07	Cylinder, H2S 25 ppm / CO 50 ppm / CH4 50% LEL / O2 12% in N2, 11AL, non-hazmat bump .....	95.00
81-0154RK-04	Cylinder, H2S 25 ppm / CO 50 ppm / CH4 50% LEL / O2 12% in N2, 34AL .....	160.00
81-0154RK-02	Cylinder, H2S 25 ppm / CO 50 ppm / CH4 50% LEL / O2 12% in N2, 58AL .....	190.00
81-9002RK-02	Cylinder, H2S 25 ppm / CO 50 ppm / CH4 50% LEL / O2 20.9% in N2, 58AL .....	250.00
81-9045RK-04	Cylinder, H2S 25 ppm / CO 50 ppm / CO2 2.5% / O2 12% / CH4 50% LEL in air, 34AL .....	180.00
81-9045RK-02	Cylinder, H2S 25 ppm / CO 50 ppm / CO2 2.5% / O2 12% / CH4 50% LEL in air, 58AL .....	280.00
81-9044RK-04	Cylinder, H2S 25 ppm / CO 50 ppm / CO2 5000 ppm / O2 12% / CH4 50% LEL in air, 34AL .....	180.00
81-9044RK-02	Cylinder, H2S 25 ppm / CO 50 ppm / CO2 5000 ppm / O2 12% / CH4 50% LEL in air, 58AL .....	280.00
81-0155RK-04	Cylinder, H2S 25 ppm / CO 50 ppm / HEX 15% LEL / O2 12% in N2, 34AL .....	160.00
81-0155RK-02	Cylinder, H2S 25 ppm / CO 50 ppm / HEX 15% LEL / O2 12% in N2, 58AL .....	220.00
81-0158RK-04	Cylinder, H2S 25 ppm / CO 50 ppm / isobutane 50% LEL / O2 12% in N2, 34AL .....	160.00
81-0158RK-02	Cylinder, H2S 25 ppm / CO 50 ppm / isobutane 50% LEL / O2 12% in N2, 58AL .....	250.00
81-9003RK-02	Cylinder, H2S 25 ppm / CO 50 ppm / Pentane 25% LEL (0.35% vol) / O2 15% in N2, 58AL .....	220.00
81-0156RK-04	Cylinder, H2S 25 ppm / CO 50 ppm / Pentane 32% LEL / O2 14% in N2, 34AL .....	180.00
81-0156RK-02	Cylinder, H2S 25 ppm / CO 50 ppm / Pentane 32% LEL / O2 14% in N2, 58AL .....	220.00
81-0156RK-54	Cylinder, H2S 25 ppm / CO 50 ppm / Pentane 50% LEL / O2 12% bal N2, 34AL .....	160.00
81-0156RK-52	Cylinder, H2S 25 ppm / CO 50 ppm / Pentane 50% LEL / O2 12% in N2, 58AL .....	220.00
81-0163RK-04	Cylinder, H2S 25 ppm / CO 50 ppm / Propane 50% LEL (1.05% vol) / O2 18% in N2, 34AL.....	180.00

# Calibration Equipment

## Calibration Cylinders

Part#	Description	Suggested Retail
81-0167RK-04	Cylinder, H2S 25 ppm / CO 50 ppm / Propane 50% LEL / O2 12% in N2, 34AL	180.00
81-0167RK-02	Cylinder, H2S 25 ppm / CO 50 ppm / Propane 50% LEL/O2 12% in N2, 58AL	180.00
81-0151RK-04	Cylinder, H2S 25 ppm in N2, 34AL	130.00
81-0151RK-02	Cylinder, H2S 25 ppm in N2, 58AL	150.00
81-0149RK-04	Cylinder, H2S 5 ppm in N2, 34AL	130.00
81-0149RK-02	Cylinder, H2S 5 ppm in N2, 58AL	150.00
81-0153RK-02	Cylinder, H2S 50 ppm in AIR, 58AL	150.00
81-0152RK-02	Cylinder, H2S 50 ppm in N2, 58AL	150.00
81-0140RK-04	Cylinder, H2S 50 ppm/50% LEL isobutane in N2, 34AL	150.00
81-0140RK-02	Cylinder, H2S 50 ppm/50% LEL isobutane in N2, 58AL	220.00
81-0145RK-16	Cylinder, H2S 500 ppm in N2, 116AL	300.00
81-0145RK-02	Cylinder, H2S 500 ppm in N2, 58AL	150.00
81-9027RK-02	Cylinder, H2S, 10 ppm / 50% LEL Propane in N2, 58AL	220.00
81-0194RK-02	Cylinder, HCl 10 ppm in N2, 58AL	370.00
81-0195RK-04	Cylinder, HCl 5 ppm in N2, 34AL	300.00
81-0195RK-02	Cylinder, HCl 5 ppm in N2, 58AL	340.00
81-0196RK-04	Cylinder, HCN 10 ppm in N2, 34AL	220.00
81-0196RK-02	Cylinder, HCN 10 ppm in N2, 58AL	260.00
81-9047RK-02	Cylinder, HCN 5 ppm in N2, 58AL	350.00
81-9030RK-02	Cylinder, Hexafluorobutadiene 2 ppm in air, 58AL	150.00
81-0007RK-03	Cylinder, Hexane 10% LEL (0.11%) in air, 103L steel	150.00
81-0007RK-01	Cylinder, Hexane 15% LEL/air, 34L steel	55.00
81-0009RK	Cylinder, Hexane 40% LEL in air, 17L steel	45.00
81-0083RK-03	Cylinder, Hexane 400 ppm in air, 103L steel	150.00
81-0083RK-04	Cylinder, Hexane 400 ppm in air, 34AL	150.00
81-0024RK-01	Cylinder, Hydrogen 100%, 34L steel	55.00
81-0024RK-05	Cylinder, Hydrogen 100%, 58L	130.00
81-0035RK-03	Cylinder, IPA 1000 ppm in air, 103L	150.00
81-0014RK	Cylinder, IPA, 10% LEL in air, 17L steel size (8 liters gas) 120 psi	55.00
81-0035RK-01	Cylinder, IPA, 1000 ppm in air, 34L steel	55.00
81-0019RK	Cylinder, isobutane 10% volume in N2, 17L steel	45.00
81-0038RK-03	Cylinder, isoButane 1800 ppm in air, 103L	150.00
81-0038RK-01	Cylinder, isoButane 1800 ppm in air, 34L steel	55.00
81-0021RK-01	Cylinder, isobutane 20% LEL in air, 34L steel	55.00
81-0039RK-03	Cylinder, isobutane 25% LEL in air, 103L	150.00
81-0026RK-03	Cylinder, isobutane 250 ppm in air, 103L steel	150.00
81-0026RK-01	Cylinder, isobutane 250 ppm in air, 34L steel	55.00
81-9022RK-03	Cylinder, isoButane 4000 ppm in air, 103L	150.00
81-0105RK-01	Cylinder, isobutane 50 ppm in air, 103L steel	55.00
81-0105RK-03	Cylinder, isobutane 50 ppm in air, 103L steel	150.00
81-0018RK-03	Cylinder, isobutane 50% LEL in air, 103L steel	150.00
81-0018RK-01	Cylinder, isobutane 50% LEL in air, 34L steel	55.00
81-0017RK-01	Cylinder, isobutane 500 ppm in air, 34L steel	55.00
81-9036RK-01	Cylinder, isobutane 5000 ppm in air, 34L steel	55.00
81-0104RK-03	Cylinder, isobutylene 10 ppm in air, 103L steel	150.00
81-0104RK-04	Cylinder, isobutylene 10 ppm in air, 34AL (aluminum cylinder)	150.00
81-0104RK-01	Cylinder, isobutylene 10 ppm in air, 34L steel	55.00
81-0144RK-03	Cylinder, isoButylene 100 ppm / CO 50 ppm / CH4 50% LEL / O2 12% in N2, 103L	180.00
81-0144RK-04	Cylinder, isoButylene 100 ppm / CO 50 ppm / CH4 50% LEL / O2 12% in N2, 34AL	160.00
81-0144RK-02	Cylinder, isoButylene 100 ppm / CO 50 ppm / CH4 50% LEL / O2 12% in N2, 58AL	220.00
81-0143RK-04	Cylinder, isobutylene 100 ppm / H2S 25 ppm / CO 50 ppm / CH4 50% LEL / O2 12% in N2, 34AL	230.00
81-0143RK-02	Cylinder, isobutylene 100 ppm / H2S 25 ppm / CO 50 ppm / CH4 50% LEL / O2 12% in N2, 58AL	340.00
81-0103RK-03	Cylinder, isobutylene 100 ppm in air, 103L steel	150.00
81-0103RK-04	Cylinder, isobutylene 100 ppm in air, 34AL (aluminum cylinder)	150.00
81-0103RK-01	Cylinder, isobutylene 100 ppm in air, 34L steel (steel cylinder)	55.00
81-0078RK-03	Cylinder, N2 100%, 103L steel	150.00
81-0078RK-01	Cylinder, N2 100%, 34L steel	55.00
81-0183RK-03	Cylinder, N2O 250 ppm in air, 103L steel	150.00
81-0183RK-01	Cylinder, N2O 250 ppm in air, 34L steel	55.00



# Calibration Equipment

## Calibration Cylinders

<b>Part#</b>	<b>Description</b>	<b>Suggested Retail</b>
81-9006RK-03	Cylinder, N2O 250 ppm in N2, 103L steel .....	150.00
81-0094RK	Cylinder, nbutane 50% LEL / O2 12% / N2, 17L steel .....	45.00
81-0006RK-01	Cylinder, nButane 9000 ppm/air, 34L steel .....	55.00
81-9021RK-116	Cylinder, NF3 10 ppm in N2, 116AL .....	675.00
81-0177RK-116	Cylinder, NF3 25 ppm in N2, 116AL .....	675.00
81-0175RK-04	Cylinder, NH3 10 ppm in N2, 34AL.....	280.00
81-0175RK-02	Cylinder, NH3 10 ppm in N2, 58AL.....	300.00
81-9066RK-02	Cylinder, NH3 100 ppm in air, 58AL .....	350.00
81-9029RK-02	Cylinder, NH3 100 ppm in N2, 58AL .....	350.00
81-0176RK-04	Cylinder, NH3 25 ppm in N2, 34AL.....	280.00
81-0176RK-02	Cylinder, NH3 25 ppm in N2, 58AL.....	300.00
81-9007RK-04	Cylinder, NH3 50 ppm in air, 34AL .....	280.00
81-9007RK-02	Cylinder, NH3 50 ppm in air, 58AL .....	350.00
81-0174RK-02	Cylinder, NH3 50 ppm in N2, 58AL.....	300.00
81-0181RK-04	Cylinder, NO 25 ppm in N2, 34AL .....	260.00
81-0181RK-02	Cylinder, NO 25 ppm in N2, 58AL .....	300.00
81-9019RK-02	Cylinder, NO 50 ppm in N2, 58AL .....	360.00
81-0168RK-04	Cylinder, NO2 10 ppm / CO 50 ppm / O2 12% / CH4 2.5% in N2, 34AL (7 month shelf life) .....	220.00
81-0168RK-02	Cylinder, NO2 10 ppm / CO 50 ppm / O2 12% / CH4 2.5% in N2, 58AL (7 month shelf life) .....	360.00
81-0180RK-04	Cylinder, NO2 10 ppm in air, 34AL .....	260.00
81-0180RK-02	Cylinder, NO2 10 ppm in air, 58AL .....	300.00
81-0182RK-04	Cylinder, NO2 5 ppm in air, 34AL .....	260.00
81-0182RK-02	Cylinder, NO2 5 ppm in air, 58AL .....	300.00
81-9034RK-03	Cylinder, O2 0.4% in N2, 103L steel .....	150.00
81-0050RK-03	Cylinder, O2 10 ppm in N2, 103L .....	150.00
81-0075RK-03	Cylinder, O2 10% in N2, 103L steel .....	150.00
81-0074RK-03	Cylinder, O2 2% in N2, 103L steel .....	150.00
81-0095RK-02	Cylinder, O2 25% Vol in N2, 58AL .....	160.00
81-9046RK-01	Cylinder, O2 5% in N2, 34L steel.....	55.00
81-9048RK-02	Cylinder, O2 99.99%, 58AL .....	150.00
81-0075RK-01	Cylinder, O2, 10% in N2, 34L steel .....	55.00
81-0088RK-03	Cylinder, Pentane 1000 ppm in air, 103L steel .....	150.00
81-0091RK	Cylinder, Pentane 25% LEL / CO 100 ppm / O2 19% in N2, 17L steel .....	45.00
81-0093RK-03	Cylinder, Pentane 25% LEL / CO 50 ppm / O2 12% in N2, 103L steel .....	150.00
81-0093RK	Cylinder, Pentane 25% LEL / CO 50 ppm / O2 12% in N2, 17L steel .....	45.00
81-0096RK-03	Cylinder, Pentane 50% LEL in air, 103L .....	150.00
81-0187RK-02	Cylinder, PH3 0.1 ppm in N2, 58AL .....	350.00
81-0185RK-04	Cylinder, PH3 0.5 ppm in N2, 34AL .....	260.00
81-0185RK-02	Cylinder, PH3 0.5 ppm in N2, 58AL .....	300.00
81-9001RK-04	Cylinder, PH3 1 ppm in N2, 34AL .....	300.00
81-0186RK-02	Cylinder, PH3 5 ppm in N2, 58AL.....	280.00
81-0003RK-13	Cylinder, Propane 10% LEL in air, 103L steel .....	150.00
81-0005RK-01	Cylinder, Propane 1000 ppm in air, 34L steel .....	55.00
81-0003RK-03	Cylinder, Propane 25% LEL in air, 103L steel .....	150.00
81-0003RK-01	Cylinder, Propane 25% LEL in air, 34L steel .....	55.00
81-0003RK-33	Cylinder, Propane 30% LEL in air, 103L steel .....	150.00
81-0092RK-03	Cylinder, Propane 50 % LEL / CO 50 ppm / O2 12% in N2, 103L steel .....	150.00
81-0004RK-01	Cylinder, Propane 50% LEL in air, 34L steel .....	55.00
81-0004RK-03	Cylinder, Propane 50% LEL/air, 103L steel.....	150.00
81-9028RK-03	Cylinder, Propane 50% vol in N2, 103L .....	150.00
81-9025RK-03	Cylinder, Propane, 50% LEL in N2, 103L.....	150.00
81-0082RK-03	Cylinder, R-12 (Freon-12), 2000 ppm in air, 103L steel .....	150.00
81-0082RK-01	Cylinder, R-12 (Freon-12), 2000 ppm in air, 34L steel .....	150.00
81-9017RK-03	Cylinder, R-123 50 ppm in air, 103L .....	150.00
81-0084RK-01	Cylinder, R-134A (Freon 134A), 2, 000 ppm in air, 34L steel .....	150.00
81-0084RK-03	Cylinder, R-134A 2000 ppm in air, 103L.....	150.00
81-0081RK-01	Cylinder, R-22 (Freon 22), 2000 ppm in air, 34L steel .....	150.00
81-9037RK-02	Cylinder, SiH4 10 ppm in N2, 58AL .....	360.00

# Calibration Equipment

## Calibration Cylinders

<b>Part#</b>	<b>Description</b>	<b>Suggested Retail</b>
81-0166RK-04	Cylinder, SiH4 30 ppm in N2, 34AL	340.00
81-0165RK-02	Cylinder, SiH4 5 ppm in N2, 58AL	280.00
81-9026RK-02	Cylinder, SO2 10 ppm in N2, 58AL	150.00
81-9035RK-116	Cylinder, SO2 200 ppm / CO2 10% vol in N2, 116AL	350.00
81-9035RK-02	Cylinder, SO2 200 ppm / CO2 10% vol in N2, 58AL	220.00
81-9039RK-116	Cylinder, SO2 200 ppm / CO2 20% vol in N2, 116AL	350.00
81-9039RK-02	Cylinder, SO2 200 ppm / CO2 20% vol in N2, 58AL	220.00
81-0142RK-04	Cylinder, SO2 5 ppm / H2S 25 ppm / CO 50 ppm / CH4 50% LEL / O2 12% in N2, 34AL	200.00
81-0142RK-02	Cylinder, SO2 5 ppm / H2S 25 ppm / CO 50 ppm / CH4 50% LEL / O2 12% in N2, 58AL	280.00
81-0170RK-04	Cylinder, SO2 5 ppm in N2, 34AL	140.00
81-0170RK-02	Cylinder, SO2 5 ppm in N2, 58AL	160.00
81-0102RK-04	Cylinder, Toluene 400 ppm in air, 34AL	150.00
81-0076RK-03	Cylinder, Zero air, 103L steel	150.00
81-0076RK-01	Cylinder, Zero air, 34L steel	55.00

## Calibration Hardware

<b>Part#</b>	<b>Description</b>	<b>Suggested Retail</b>
06-1248RK	Tubing, polyurethane, 3/16" ID x 5/16" OD, per foot	2.00
06-1248RK-03	Calibration kit tubing, polyurethane, 3/16" ID x 5/16" OD, 3 feet	4.50
06-1283RK	Tubing, teflon/polyurethane, 1/4" OD x 1/8" ID, 3', for toxic gas cal kits	16.00
20-0110RK-01	Case for 1-3 cylinders, 17/34L/34AL, with foam	100.00
20-0111RK-01	Case for 3 cylinders with foam, 58AL/103L	125.00
20-0114RK-02	Case with foam for cal kit with 4 cylinders	250.00
20-0121RK	Case for 2 Cylinders, 58AL/103L	62.00
31-0003RK	Flowmeter .2 - 2 SCFH, Dwyer	45.00
33-2001RK-01	Humidifier, 6" tube assembly for cal kits with 3/16" tubing on ends	120.00
33-2002RK-01	Humidifier, 24" for cal kits, with 3/16" tubing on ends, for EAGLE	320.00
81-1001RK	Dispensing valve, 17/34L, CGA 600 fitting	28.00
81-1050RK	Regulator, with gauge & knob, 17/34L, 0.5 LPM, CGA 600 fitting	125.00
81-1050RK-15	Regulator, with gauge & knob, 17/34L, 1.5 LPM	125.00
81-1050RK-25	Regulator, with gauge & knob, 17/34L, 0.25 LPM	125.00
81-1051RK	Regulator, with gauge & knob, 34AL/58AL/103L steel, 0.5 LPM, C-10 fitting	125.00
81-1051RK-10	Regulator, with gauge & knob, 34AL/58AL/103L/116L steel, 1.0 LPM, C-10 fitting	125.00
81-1051RK-15	Regulator, with gauge & knob, 34AL/58AL/103L/116L steel, 1.5 LPM, C-10 fitting	125.00
81-1051RK-25	Regulator, with gauge and knob, 34AL/58AL/103L steel, 0.25 LPM, C-10 fitting	125.00
81-1051RK-30	Regulator, with gauge and knob, 34AL/58AL/103L/116L steel, 3.0 LPM, C-10 fitting	125.00
81-1051RK-60	Regulator, with gauge & knob, 34AL/58AL/103L/116L steel, 6.0 LPM, C-10 fitting	125.00
81-1054RK	Regulator, demand flow for 34AL/58AL/103L/116L cylinders	280.00
81-1054RK-CGA33	Regulator, demand flow, with CGA330	400.00
81-1054RK-CGA35	Regulator, demand flow, with CGA350	400.00
81-1054RK-CGA59	Regulator, demand flow, with CGA590	400.00
81-1055RK	Regulator, demand flow for 17L/34L steel steel cylinders	280.00
81-1070RK	Recycling tool, releases all pressure from 34AL/58AL/103L steel cylinders	125.00
81-1071RK	Recycling tool, releases all pressure from 17L/34L steel cylinders	125.00
81-1103RK	Cal cup for IR 3/4" NPT sensor	15.00
81-1104RK	Calibration adapter for -01 series & GasWatch 2	22.00
81-1107RK	Cal cap for GX-2001 and GX-2009	17.00
81-1109RK	Cal cup for 82 single gas series, GX-82/86/91B (Not for GX-82A or GX-86A)	50.00
81-1112RK	Cal cup, LEL, Screw on, w/fittings, for 1/2 NPT sensor	70.00
81-1112RK-01	Cal cup with diffuser holes, for 1/2 NPT sensor	50.00
81-1113RK	Cal cup, PS-2, with Screws	5.00
81-1114RK	Cal cup, diffusion, super toxic, GD-K8A, (rim feed)	26.00
81-1116RK	Cal cup/splash guard assembly, for CT7 sensor housing	60.00
81-1117RK	Cal cup, standard, fixed systems, for conduit mounting, LEL/O2/H2S/CO, (NPT type)	44.00
81-1120RK	Cal cup for GD-A8 and GD-A8V, w/fitting	110.00
81-1122RK	Cal cup for RKI potted 1/2 NPT sensor	20.00
81-1122RK-01	Cal cup w/diffuser holes, for RKI potted 1/2 NPT	45.00

# Calibration Equipment

## Calibration Hardware

<u>Part#</u>	<u>Description</u>	<u>Suggested Retail</u>
81-1123RK	Cal cup, diffusion EAGLE .....	34.00
81-1126RK	Gas bag with fitting & hose barb, 9" x 12" tedlar, 3 liters .....	27.00
81-1127RK	Gas bag with fitting & hose barb, 12x12, tedlar, 5 liters .....	29.00
81-1128RK	Gas bag with fitting & hose barb, 15 x 15, tedlar, 10 liters .....	44.00
81-1131RK	Gas bag, Green, LEL range, for RI/RX-415 .....	45.00
81-1132RK	Gas bag, Orange, Volume range, for RI/RX-415 .....	45.00
81-1138RK	Cal cup for ESM-01 diffusion sensors, fixed systems (not for Cl2 or NH3) .....	74.00
81-1138RK-CL2	Cal cup for ESM-01 diffusion chlorine sensors, fixed systems .....	74.00
81-1138RK-NH3	Cal cup for ESM-01 diffusion ammonia sensors, fixed systems .....	74.00
81-1139RK	Cal cup for general SC-01 use, (NOT for CL2 or NH3) .....	100.00
81-1139RK-CL2	Cal cup for chlorine (Cl2) SC-01 .....	100.00
81-1139RK-NH3	Cal cup for ammonia (NH3) SC-01 .....	100.00
81-1183	Cal cup with 3 ft 1/8" ID x 1/4" OD teflon tubing for T2A/T3A/VOC Pro/AirLink 6900 type detectors .....	160.00
81-1185	Cal cup with 3 ft 1/8" ID x 1/4" OD teflon tubing, for non explosion proof Air Alert and AirLink Alert type detectors .....	40.00
81-1500RK	Cylinder holder for 58 liter aluminum cylinders .....	18.00
81-1501RK	Cylinder holder for 103 liter steel cylinders and 116 liter aluminum cylinders .....	18.00
81-1502RK	Cylinder holder for 17/34 liter steel cylinders, and for 34 liter aluminum cylinders .....	18.00
82-0006RK	Screwdriver, pot adjust, no logo .....	7.00

# Portable Calibration Kits

Instrument Part #	Cal Kit #	Cal Kit Description	Kit Price
<b>01 Series</b>			
72-0033RK-01	81-GP01	Cal kit, GP-01, 103L steel cyl 50% LEL CH4/Air, reg with gauge & knob, cal cup, case & tubing	370.00
	81-GP01-H2LV	Cal kit, GP-01, 34L cyl 50% LEL H2/Air, reg with gauge & knob, cal cup, case & tubing	315.00
	81-GP01-HLV	Cal kit, GP-01, 34L cyl 15% LEL Hexane/Air, reg with gauge & knob, cal cup, case & tubing	315.00
	81-GP01-LV	Cal kit, GP-01, 34L cyl 50% LEL CH4/Air, reg with gauge & knob, cal cup, case & tubing	315.00
72-0033RK-03	81-GP01-H2LV	Cal kit, GP-01, 34L cyl 50% LEL H2/Air, reg with gauge & knob, cal cup, case & tubing	315.00
	81-GP01-HLV	Cal kit, GP-01, 34L cyl 15% LEL Hexane/Air, reg with gauge & knob, cal cup, case & tubing	315.00
	81-GP01-LV	Cal kit, GP-01, 34L cyl 50% LEL CH4/Air, reg with gauge & knob, cal cup, case & tubing	315.00
72-0033RK 72-0034RK	81-GP01-H2LV	Cal kit, GP-01, 34L cyl 50% LEL H2/Air, reg with gauge & knob, cal cup, case & tubing	315.00
	81-GP01-HLV	Cal kit, GP-01, 34L cyl 15% LEL Hexane/Air, reg with gauge & knob, cal cup, case & tubing	315.00
	81-GP01-LV	Cal kit, GP-01, 34L cyl 50% LEL CH4/Air, reg with gauge & knob, cal cup, case & tubing	315.00
72-0034RK-01	81-GP01-H2LV	Cal kit, GP-01, 34L cyl 50% LEL H2/Air, reg with gauge & knob, cal cup, case & tubing	315.00
	81-GP01-HLV	Cal kit, GP-01, 34L cyl 15% LEL Hexane/Air, reg with gauge & knob, cal cup, case & tubing	315.00
	81-GP01-LV	Cal kit, GP-01, 34L cyl 50% LEL CH4/Air, reg with gauge & knob, cal cup, case & tubing	315.00
72-0034RK-03	81-GP01-H2LV	Cal kit, GP-01, 34L cyl 50% LEL H2/Air, reg with gauge & knob, cal cup, case & tubing	315.00
	81-GP01-HLV	Cal kit, GP-01, 34L cyl 15% LEL Hexane/Air, reg with gauge & knob, cal cup, case & tubing	315.00
	81-GP01-LV	Cal kit, GP-01, 34L cyl 50% LEL CH4/Air, reg with gauge & knob, cal cup, case & tubing	315.00
72-0034RK-04	81-GP01-H2LV	Cal kit, GP-01, 34L cyl 50% LEL H2/Air, reg with gauge & knob, cal cup, case & tubing	315.00
	81-GP01-HLV	Cal kit, GP-01, 34L cyl 15% LEL Hexane/Air, reg with gauge & knob, cal cup, case & tubing	315.00
	81-GP01-LV	Cal kit, GP-01, 34L cyl 50% LEL CH4/Air, reg with gauge & knob, cal cup, case & tubing	315.00
72-0034RK-05	81-GP01-H2LV	Cal kit, GP-01, 34L cyl 50% LEL H2/Air, reg with gauge & knob, cal cup, case & tubing	315.00
	81-GP01-HLV	Cal kit, GP-01, 34L cyl 15% LEL Hexane/Air, reg with gauge & knob, cal cup, case & tubing	315.00
	81-GP01-LV	Cal kit, GP-01, 34L cyl 50% LEL CH4/Air, reg with gauge & knob, cal cup, case & tubing	315.00
72-0008RK	81-OX01-LV	Cal kit, OX-01, 34L cyl 100% N2, reg with gauge and knob, cal cup, case & tubing	315.00
72-0008RK-01	81-OX01-LV	Cal kit, OX-01, 34L cyl 100% N2, reg with gauge and knob, cal cup, case & tubing	315.00
72-0008RK-03	81-OX01-LV	Cal kit, OX-01, 34L cyl 100% N2, reg with gauge and knob, cal cup, case & tubing	315.00

# Portable Calibration Kits

Instrument Part #	Cal Kit #	Cal Kit Description	Kit Price
<b>01 Series</b>			
73-0044RK-01	81-CO01-LV	Cal kit, CO-01, 34L cyl 50 ppm CO/N2, reg with gauge & knob, cal cup, case & tubing	315.00
73-0044RK-03	81-CO01-LV	Cal kit, CO-01, 34L cyl 50 ppm CO/N2, reg with gauge & knob, cal cup, case & tubing	315.00
73-0046Rk	81-HS01-LV	Cal kit, HS-01, 34AL cyl 25 ppm H2S/N2, reg with gauge & knob, cal cup, case & tubing	390.00
<b>03 Series</b>			
72-0037	81-GP03	Cal kit, GP-03, 103L steel cyl 50% LEL CH4/Air, regulator, cal cup, case & tubing	370.00
	81-GP03-HLV	Cal kit, GP-03, 34L cyl 50% LEL Hexane/Air, regulator, cal cup, case & tubing	310.00
	81-GP03-LV	Cal kit, GP-03, 34L cyl 50% LEL CH4/Air, regulator, cal cup, case & tubing	310.00
	81-GP03H2-LV	Cal kit, GP-03, 34L cyl 50% LEL Hydrogen/Air, regulator, cal cup, case & tubing	310.00
	81-GP03IB-LV	Cal kit, GP-03, 34L cyl 50% LEL Isobutane/Air, regulator, cal cup, case & tubing	310.00
72-0038	81-GP03	Cal kit, GP-03, 103L steel cyl 50% LEL CH4/Air, regulator, cal cup, case & tubing	370.00
	81-GP03-HLV	Cal kit, GP-03, 34L cyl 50% LEL Hexane/Air, regulator, cal cup, case & tubing	310.00
	81-GP03-LV	Cal kit, GP-03, 34L cyl 50% LEL CH4/Air, regulator, cal cup, case & tubing	310.00
	81-GP03H2-LV	Cal kit, GP-03, 34L cyl 50% LEL Hydrogen/Air, regulator, cal cup, case & tubing	310.00
	81-GP03IB-LV	Cal kit, GP-03, 34L cyl 50% LEL Isobutane/Air, regulator, cal cup, case & tubing	310.00
72-0010	81-OX03	Cal kit, OX-03, 103L steel cyl 100% N2, regulator, cal cup, case & tubing	370.00
	81-OX03-LV	Cal kit, OX-03, 34L cyl 100% N2, regulator, cal cup, case & tubing	310.00
73-0060	81-CO03	Cal kit, CO-03, CO 50 ppm in air 103L steel cyl, regulator, cal cup, case & tubing	370.00
	81-CO03-LV	Cal kit, CO-03, CO 50 ppm in air 34L steel cyl, regulator, cal cup, case & tubing	310.00
73-0062	81-HS03	Cal kit, HS-03, 58AL cyl 25 ppm H2S/N2, regulator, cal cup, case & tubing	370.00
	81-HS03-LV	Cal kit, HS-03, 34AL cyl 25 ppm H2S/N2, regulator, cal cup, case & tubing	385.00
	81-HS03NG-LV	Cal kit, HS-03, no gas, fits two 34AL cylinders, regulator, cal cup, case & tubing	255.00
<b>04 Series</b>			
73-0067	81-CO04C-LV	Cal kit, CO-04C, 34L cyl CO 50 ppm in N2, 34L cyl H2 200 ppm in air, regulator, cal cup, case & tubing	350.00
73-0069	81-CX04-LV	Cal kit, CX-04, 34L cyl CO 50 ppm in N2, regulator, cal cup, case & tubing	310.00
73-0071	81-SC04HCN-LV	Cal kit, SC-04, 34AL cyl HCN 10 ppm in N2, regulator, cal cup, case & tubing	490.00
73-0073	81-SC04NO2-LV	Cal kit, SC-04, 34AL cyl NO2 10 ppm in N2, regulator, cal cup, case & tubing	530.00
73-0077	81-SC04NH3-LV	Cal kit, SC-04, 34AL cyl NH3 25 ppm in N2, regulator, cal cup, case & tubing	550.00
73-0079	81-SC04PH3-LV	Cal kit, SC-04, 34AL cyl PH3 0.5 ppm in N2, regulator, cal cup, case & tubing	530.00
73-0082	81-SC04SO2-LV	Cal kit, SC-04, 34AL cyl SO2 5 ppm in N2, regulator, cal cup, case & tubing	395.00

## Portable Calibration Kits

Instrument Part #	Cal Kit #	Cal Kit Description	Kit Price
<b>EAGLE</b>			
72-5101RK	81-5101RK	Cal kit, EAGLE/EAGLE 2, 103L steel cyl 50% LEL Methane/Air, dem flow reg, case & tubing	495.00
	81-5101RK-20	Cal kit, EAGLE/EAGLE 2, 103L steel cyl 20% LEL Methane/Air, dem flow reg, case & tubing	495.00
	81-5101RK-DLV	Cal kit, EAGLE/EAGLE 2, 34L cyl 50% LEL Methane/Air, dem flow reg, case & tubing	435.00
	81-5101RK-H2	Cal kit, EAGLE, 103L steel cyl 50% LEL Hydrogen/Air, dem flow reg, case & tubing	495.00
	81-5101RK-H2B	Cal kit, EAGLE, 103L steel cyl 50% LEL Hydrogen/Air, reg, gas bag, case & tubing	365.00
	81-5101RK-H2DLV	Cal kit, EAGLE, 34L cyl 50% LEL Hydrogen/Air, dem reg, case & tubing	435.00
	81-5101RK-H2LV	Cal kit, EAGLE, 34L cyl 50% LEL Hydrogen/Air, disp valve, gas bag, case & tubing	210.00
	81-5101RK-HDLV	Cal kit, EAGLE, 34L cyl 15% LEL Hexane/Air, dem reg, case & tubing	435.00
	81-5101RK-HLV	Cal kit, EAGLE, 34L cyl 15% LEL Hexane/Air, disp valve, gas bag, case & tubing	210.00
	81-5101RK-ISO	Cal kit, EAGLE, 103L steel cyl 50% LEL Isobutane/Air, dem flow reg, case & tubing	495.00
	81-5101RK-LV	Cal kit, EAGLE, 34L cyl 50% LEL Methane/Air, disp valve, sample bag, case & tubing	210.00
	81-5101RKH2LV10	Cal kit, EAGLE, 34L cyl 4000 ppm H2 in air, reg with gauge & knob, gas bag, screwdriver, case & tubing	210.00
	81-5101RKIB-DLV	Cal kit, EAGLE, 34L steel isobutane 50% LEL in air, demand flow regulator, case & tubing	435.00
	81-5101RKP	Cal kit, EAGLE, 103L steel cyl 50% LEL Propane/Air, dem flow reg, case & tubing	495.00
	81-5101RKP25	Cal kit, EAGLE, 34L cyl 25% LEL Propane in air, demand flow regulator, case & tubing	495.00
72-5102RK	81-5102RK-DLV	Cal kit, EAGLE/EAGLE 2, 34L cyl 100% Nitrogen, dem flow reg, case & tubing	435.00
	81-5102RK-LV	Cal kit, EAGLE, 34L cyl 100% N2, disp valve, gas bag, case & tubing	210.00
	81-5102RKNG-LV	Cal kit, EAGLE, with no gas, disp valve, gas bag, case & tubing	155.00
72-5103RK	81-5103RK-DLV	Cal kit, EAGLE, 34AL cyl 25 ppm Hydrogen Sulfide/N2, dem flow reg, case & tubing	520.00
	81-5103RK1000	Cal kit, EAGLE, 58AL cyl 50 ppm Hydrogen Sulfide/N2, reg, gas bag, case & tubing	365.00
72-5104RK	81-5104RK-LV	Cal kit, EAGLE, 34L cyl 50 ppm Carbon Monoxide/Air, disp valve, gas bag, case & tubing	210.00
72-5105RK	81-5105RK-LV	Cal kit, EAGLE, 34AL cyl 5 ppm SO2/N2, reg, gas bag, screwdriver, case & tubing	400.00
72-5106RK	81-5106RK	Cal kit, EAGLE, 58AL cyl 2 ppm Chlorine/N2, dem flow reg, screwdriver, case & tubing	705.00
	81-5106RK-DLV	Cal kit, EAGLE, 34AL cyl 2 ppm Chlorine/N2, dem reg, screwdriver, case & tubing	620.00
	81-5106RK-LV	Cal kit, EAGLE, 34AL cyl 2 ppm Chlorine/N2, reg, gas bag, screwdriver, case & tubing	495.00
72-5107RK	81-5107RKS-LV	Cal kit, EAGLE, 34AL cyl PH3/N2, 34L cyl N2 100%, reg, gas bag, screwdriver, case & tubing	715.00
72-5108RK	81-5108RK	Cal kit, EAGLE, 58AL cyl 0.5 ppm Phosphine/N2, dem flow reg, screwdriver, case & tubing	665.00
	81-5108RK-DLV	Cal kit, EAGLE, 34AL cyl 0.5 ppm Phosphine/N2, dem reg, screwdriver, case & tubing	655.00

# Portable Calibration Kits

Instrument Part #	Cal Kit #	Cal Kit Description	Kit Price
<b>EAGLE</b>			
72-5110RK	81-5110RK	Cal kit, EAGLE, 58AL cyl 5 ppm Hydrogen Chloride/N2, reg, gas bag,screwdriver, case & tubing	575.00
	81-5110RK-LV	Cal kit, EAGLE, 34AL cyl 5 ppm Hydrogen Chloride in N2, reg, gas bag, screwdriver, case & tubing	575.00
72-0316-MSHA-C	81-GX09CONO2	Cal kit, GX-2009 MSHA, 58AL cyl Methane/NO2/CO/O2, reg with gauge & knob, cal cap, case & tubing	580.00
	81-GX09CONO2-LV	Cal kit, GX-2009 MSHA, 34AL cyl Methane/NO2/CO/O2, reg with gauge & knob, cal cap, case & tubing	475.00
72-5111RK	81-5111RK	Cal kit, EAGLE, 58AL cyl 10 ppm Ammonia/N2, dem flow reg, screwdriver, case & tubing	665.00
	81-5111RK-DLV	Cal kit, EAGLE, 34AL cyl 10 ppm Ammonia/N2, dem reg, screwdriver, case & tubing	680.00
	81-5111RK01-DLV	Cal kit, EAGLE, 34AL cyl 25 ppm Ammonia/N2, dem reg, screwdriver, case & tubing	680.00
72-5112RK	81-5112RK	Cal kit, EAGLE, 58AL cyl 2 ppm Chlorine/N2, dem flow reg, screwdriver, case & tubing	705.00
	81-5112RK-LV	Cal Kit, EAGLE, 34AL cyl 2 ppm Chlorine/N2, reg with gauge & knob, gas bag, screwdriver, case & tubing	495.00
72-5113RK	81-5113RK	Cal Kit, EAGLE, 58AL cyl 25 ppm Nitric Oxide/N2, dem flow reg, screwdriver, case & tubing	665.00
72-5114RK	81-5114RK	Cal Kit, EAGLE, 58AL cyl 10 ppm Nitrogen Dioxide/Air, dem flow reg, screwdriver, case & tubing	665.00
	81-5114RK-LV	Cal kit, EAGLE, 34AL cyl 10 ppm Nitrogen Dioxide/Air, reg with gauge & knob, screwdriver, case & tubing	535.00
72-5115RK-02	81-5115RK02	Cal kit, EAGLE, 103L steel cyl 5,000 ppm CO2/N2, dem flow reg, screwdriver, case & tubing	495.00
72-5115RK-03	81-5115RK03	Cal kit, EAGLE, 103L steel cyl 2.5% CO2/N2, dem flow reg, screwdriver, case & tubing	500.00
72-5115RK-04	81-5115RK04DLV	Cal kit, EAGLE, 34L cyl 15% CO2 in N2, dem reg, case & tubing	445.00
72-5115RK-05	81-5115RK05-LV	Cal kit, EAGLE, 34L cyl 15% CO2/N2, disp valve, gas bag, screwdriver, case & tubing	220.00
72-5120RK	81-5120RK	Cal kit, EAGLE, 58L cyl 50% vol Methane/N2, dem flow reg, screwdriver, case & tubing	510.00
	81-5120RK-LV	Cal kit, EAGLE, 34L 50% vol Methane/N2, disp valve, gas bag, screwdriver, case & tubing	220.00
72-5123RK	81-5123RK-DLV	Cal kit, EAGLE, 34AL cyl 10 ppm Hydrogen Cyanide/N2, dem reg, screwdriver, case & tubing	620.00
72-5201RK	81-5201RK	Cal kit, EAGLE, 103L steel cyl CH4/CO/O2, dem flow reg, case & tubing	495.00
	81-5201RK-DLV	Cal kit, EAGLE, 34L cyl CH4/CO/O2, dem reg, screwdriver, case & tubing	435.00
	81-5201RK-HLV	Cal kit, EAGLE, 34L cyl CO/Hex/O2, disp valve, gas bag, case & tubing	210.00
	81-5201RK-LV	Cal kit, EAGLE, 34L cyl CH4/CO/O2, disp valve, gas bag, case & tubing	210.00
	81-5201RKH	Cal kit, EAGLE, 103L steel cyl CO/Hex/O2, dem flow reg, case & tubing	495.00
	81-5201RKIB-DLV	Cal kit, EAGLE, 34L cyl isobutane/air, 34L 100% N2, dem reg, case & tubing	500.00
	81-5201RKP	Cal kit, EAGLE, 103L steel cyl CO/Pentane/O2, dem flow reg, case & tubing	495.00
72-5201RK-TR1	81-5201RKTR1	Cal kit, EAGLE, 103L steel cyl 50% LEL H2/Air, 103L steel cyl 100% N2, dem flow reg, case & tubing	645.00
	81-5201RKTR1-LV	Cal kit, EAGLE, 34L cyl 50% LEL H2/Air, 34L cyl 100% N2, disp valve, gas bag, case & tubing	265.00

## Portable Calibration Kits

Instrument Part #	Cal Kit #	Cal Kit Description	Kit Price
<b>EAGLE</b>			
72-5202RK	81-5202RK	Cal kit, EAGLE, 103 L cyl CH4/CO/O2, dem flow reg, case & tubing	495.00
	81-5202RK-H	Cal kit, EAGLE, 103L steel cyl 15% LEL HEX/CO/O2, dem flow reg, case & tubing	495.00
	81-5202RK-LV	Cal kit, EAGLE, 34L cyl CH4/CO/O2, disp valve, gas bag, case & tubing	210.00
	81-5202RKPRODLV	Cal kit, EAGLE, 34L cyl LEL propane/air, 34L 100% nitrogen, dem flow reg, case & tubing	335.00
72-5203RK	81-5203RK	Cal kit, EAGLE, 58AL cyl H2S (25 ppm)/CO/CH4/O2, dem flow reg, case & tubing	535.00
	81-5203RK-LV	Cal kit, EAGLE, 34AL cyl H2S (25 ppm)/CO/CH4/O2, reg with gauge & knob, gas bag, case & tubing	415.00
72-5204RK	81-5204RK-DLV	Cal kit, EAGLE, 34L cyl CH4/CO/O2, 34L 100% N2, dem reg, case & tubing	435.00
72-5211RK	81-5211RK-DLV	Cal kit, EAGLE, 34AL cyl NH3 25 ppm in N2, 34AL cyl Cl2 2 ppm in N2, demand flow reg, case & tubing	1,180.00
72-5212RK	81-5212RK-LV	Cal kit, EAGLE, 34AL cyl NH3/N2, 58AL cyl SiH4/N2, reg with gauge & knob, gas bag, screwdriver, case & tubing	785.00
72-5213RK	81-5213RK-LV	Cal kit, EAGLE, 34AL cyl Cl2/N2, 58AL cyl SiH4/N2, reg with gauge & knob, gas bag, screwdriver, case & tubing	725.00
72-5220RK	81-5220RK	Cal kit, EAGLE, 58AL cyl Cl2 2 ppm in N2, dem flow reg, case & tubing	705.00
	81-5220RK-LV	Cal kit, EAGLE, 34AL cyl Cl2 in N2, demand flow reg, screwdriver, case & tubing	495.00
72-5221RK	81-5221RK	Cal kit, EAGLE, 58AL cyl SO2/ N2, 58AL cyl HCl/N2, dem flow reg, screwdriver, case & tubing	865.00
72-5222RK-02	81-5222RK02	Cal kit, EAGLE, 103L steel cyl 5,000 ppm CO2/N2, dem flow reg, screwdriver, case & tubing	495.00
	81-5222RK02-LV	Cal kit, EAGLE, 34L cyl 5,000 ppm CO2/N2, disp valve, gas bag, screwdriver, case & tubing	210.00
72-5222RK-03	81-5222RK03	Cal kit, EAGLE, 103L steel cyl 2.5% CO2/N2, dem flow reg, screwdriver, case & tubing	500.00
72-5222RK-05	81-5222RK02-LV	Cal kit, EAGLE, 34L cyl 5,000 ppm CO2/N2, disp valve, gas bag, screwdriver, case & tubing	210.00
	81-5222RK05	Cal kit, EAGLE, 103L steel cyl 15% CO2/N2, dem flow reg, screwdriver, case & tubing	500.00
72-5223RK-02	81-5223RK02	Cal kit, EAGLE, 103L steel cyl 5,000 ppm CO2/N2, 58AL cyl NH3/N2, dem flow reg, screwdriver, case & tubing	800.00
72-5223RK-03	81-5223RK03	Cal kit, EAGLE, 103L steel cyl 2.5% CO2/N2, 58AL cyl NH3/N2, dem flow reg, screwdriver, case & tubing	815.00
72-5234RK	81-5234RK-DLV	Cal kit, EAGLE, 34AL cyl 25 ppm NH3/N2, 103L steel cyl 50 ppm CO/air, dem flow reg, screwdriver, case & tubing	780.00
72-5238RK	81-5238RK	Cal kit, EAGLE, 103L steel cyl 50% LEL CH4/Air, 58L steel cyl 50% vol CH4/N2, dem flow reg, screwdriver, case & tubing	660.00
72-5243RK-02	81-5243RK02	Cal kit, EAGLE, 103L steel cyl 50% LEL Methane/Air, 103L steel cyl 5,000 ppm CO2/N2, dem flow reg, screwdriver, case & tubing	650.00
72-5244RK-DLV	81-5244RK-DLV	Cal kit, EAGLE, 34AL 5 ppm SO2 in n2, 34AL cyl 10 ppm NO2 in n2, dem reg, case & tubing	800.00
72-5256RK	81-5256RK-LV	Cal kit, EAGLE, 34AL cyl Cl2/N2, 34AL cyl NH3/N2, reg with gauge & knob, gas bag, screwdriver, case & tubing	1,075.00
72-5259RK	81-5259RK-LV	Cal kit, EAGLE, 34AL cyl NH3/N2, reg with gauge & knob, gas bag, screwdriver, case & tubing	555.00
72-5262RK	81-5262RK-LV	Cal kit, EAGLE, 34L cyl 50% LEL H2/Air, 34AL cyl PH3/N2, disp valve, reg with gauge & knob, gas bag, screwdriver, case & tubing	615.00



# Portable Calibration Kits

Instrument Part #	Cal Kit #	Cal Kit Description	Kit Price
72-5265RK-02	81-5265RK02-DLV	Cal kit, EAGLE, 34AL 25 ppm H2S in N2, 103L steel cyl 5000 ppm CO2 in N2, dem reg, case & tubing	630.00
<b>EAGLE</b>			
72-5265RK-03	81-5265RK03-DLV	Cal kit, EAGLE, 34AL 25 ppm H2S in N2, 103L steel cyl 2.5% CO2 in N2, dem reg, case & tubing	630.00
72-5265RK-04	81-5265RK04-DLV	Cal kit, EAGLE, 34AL 25 ppm H2S in N2, 103L steel cyl 15% CO2 in N2, dem reg, case & tubing	630.00
72-5265RK-05	81-5265RK04-DLV	Cal kit, EAGLE, 34AL 25 ppm H2S in N2, 103L steel cyl 15% CO2 in N2, dem reg, case & tubing	630.00
72-5266RK	81-5266RK-LV	Cal kit, EAGLE, 34AL cyl Cl2/N2, 34AL cyl HCl/N2, reg with gauge & knob, gas bag, screwdriver, case & tubing	795.00
72-5272RK	81-5272RK-LV	Cal kit, EAGLE, 34AL cyl SO2/N2, 34AL cyl NH3/N2, reg with gauge & knob, gas bag, screwdriver, case & tubing	695.00
72-5276RK	81-5276RK-DLV	Cal kit, EAGLE, 34AL cyl PH3 0.5 ppm in N2, 34AL cyl Cl2 2 ppm in N2, demand flow regulator, case & tubing	875.00
72-5278RK	81-5278RKH2-DLV	Cal kit, EAGLE, 34L cyl 50% LEL Hydrogen/Air, 34L cyl 50 ppm CO/Air, dem flow reg, screwdriver, case & tubing	490.00
72-5286RK	81-5286RK	Cal kit, EAGLE, 103L steel cyl 50% LEL CH4/Air, 103L steel cyl 10 ppm NO2/N2, dem flow reg, screwdriver, case & tubing	795.00
72-5296RK	81-5296RK	Cal kit, EAGLE, 103L steel cyl 50% LEL CH4/Air, 58AL cyl 2 ppm Cl2/N2, dem flow reg, screwdriver, case & tubing	735.00
72-5300-09	81-5300-09-LV	Cal kit, EAGLE/EAGLE 2, 103L steel cyl 20% LEL Methane/Air, dem flow reg, case & tubing	775.00
72-5301RK	81-5301RK	Cal kit, EAGLE, 58AL cyl H2S/CO/CH4/O2, dem flow reg, case & tubing	535.00
	81-5301RK-H	Cal kit, EAGLE, 58AL cyl H2S/CO/Hex/O2, dem flow reg, case & tubing	565.00
	81-5301RK-LV	Cal kit, EAGLE, 34AL cyl H2S/CO/CH4/O2, reg with gauge & knob, gas bag, case & tubing	415.00
72-5302RK	81-5302RK	Cal kit, EAGLE, 103L steel cyl CO/CH4/O2, dem flow reg, case & tubing	495.00
	81-5302RK-H	Cal kit, EAGLE, 103L steel cyl CO/Hex/O2, dem flow reg, case & tubing	495.00
	81-5302RK-HDLV	Cal kit, EAGLE, 34L cyl CO/Hex/O2, dem flow reg, case & tubing	445.00
	81-5302RK-HLV	Cal kit, EAGLE, 34L cyl CO/Hex/O2, disp valve, gas bag, case & tubing	210.00
	81-5302RK-LV	Cal kit, EAGLE, 34L cyl CO/CH4/O2, disp valve, gas bag, case & tubing	210.00
	81-5302RKNG	Cal kit, EAGLE, reg with gauge & knob, gas bag, case for 58AL / 103L steel cylinders & tubing (No Gas)	345.00
72-5308RK	81-5308RK	Cal kit, EAGLE, 103L steel cyl CO/CH4/O2, 58AL cyl Cl2/N2, dem flow reg, screwdriver, case & tubing	855.00
	81-5308RKP	Cal kit, EAGLE, 103L steel cyl 25% LEL Pent/CO/O2, 58AL cyl Cl2/N2, dem flow reg, screwdriver, case & tubing	855.00
72-5310RK	81-5310RK	Cal kit, EAGLE, 103L steel cyl CO/CH4/O2, 58AL cyl Cl2/N2, dem flow reg, screwdriver, case & tubing	855.00
72-5311RK	81-5311RK-LV		655.00
72-5316RK	81-5316RK-03	Cal kit, EAGLE, 103L steel cyl 2.5% CO2/N2, 103L steel cyl CO/CH4/O2/N2, dem flow reg, screwdriver, case & tubing	645.00
72-5316RK-01	81-5316RK01	Cal kit, EAGLE, 103L steel cyl d 2,000 ppm CO2/N2, 103L steel cyl CO/CH4/O2, dem flow reg, screwdriver, case & tubing	650.00
	81-5316RK01-LV	Cal kit, EAGLE, 34L cyl of 2,000 ppm CO2/ N2, 34L cyl CO/CH4/O2, disp valve, gas bag, case & tubing	275.00
	81-5316RK01DLV	Cal kit, EAGLE, 34L cyl 2,000 ppm CO2/N2, 34L cyl CO/CH4/O2/N2, dem flow reg, screwdriver, case & tubing	500.00

# Portable Calibration Kits

Instrument Part #	Cal Kit #	Cal Kit Description	Kit Price
<b>EAGLE</b>			
72-5316RK-02	81-5316RK02	Cal kit, EAGLE, 103L steel cyl 5000 ppm CO <sub>2</sub> /N <sub>2</sub> , 103L steel cyl CO/CH <sub>4</sub> /O <sub>2</sub> /N <sub>2</sub> , dem flow reg, screwdriver, case & tubing	650.00
	81-5316RK02-LV	Cal kit, EAGLE, 34L cyl of 5,000 ppm CO <sub>2</sub> / N <sub>2</sub> , 34L cyl CO/CH <sub>4</sub> /O <sub>2</sub> , disp valve, gas bag, case & tubing	275.00
72-5316RK-03	81-5316RK03-DLV	Cal kit, EAGLE, 34L cyl 2.5% CO <sub>2</sub> /N <sub>2</sub> , 34L cyl CO/CH <sub>4</sub> /O <sub>2</sub> /N <sub>2</sub> , dem flow reg, screwdriver, case & tubing	500.00
	81-5316RK03-HLV	Cal kit, EAGLE, 34L cyl 2.5% CO <sub>2</sub> /N <sub>2</sub> , 34L cyl CO/Hex/O <sub>2</sub> , disp valve, gas bag, screwdriver, case & tubing	275.00
72-5316RK-04	81-5316RK04	Cal kit, EAGLE, 103L steel cyl 15% CO <sub>2</sub> /N <sub>2</sub> , 34L cyl CO/CH <sub>4</sub> /O <sub>2</sub> , dem flow reg, screwdriver, case & tubing	650.00
	81-5316RK04-DLV		500.00
72-5322RK	81-5322RK	Cal kit, EAGLE, 58L cyl 50% vol CH <sub>4</sub> /N <sub>2</sub> , 103L steel cyl CO/50% LEL CH <sub>4</sub> /O <sub>2</sub> /N <sub>2</sub> , dem flow reg, screwdriver, case & tubing	660.00
	81-5322RK-LV	Cal kit, EAGLE, 34L cyl 50% vol CH <sub>4</sub> /N <sub>2</sub> , 34L cyl CO/CH <sub>4</sub> /O <sub>2</sub> /N <sub>2</sub> , disp valve, gas bag, screwdriver, case & tubing	265.00
72-5327RK	81-5327RK	Cal kit, EAGLE, 58AL cyl H <sub>2</sub> S/N <sub>2</sub> , 58AL cyl SO <sub>2</sub> /N <sub>2</sub> , 58AL cyl HCl/N <sub>2</sub> , dem flow reg, screwdriver, case & tubing	1,230.00
72-5330RK	81-5330RK	Cal kit, EAGLE, 58AL cyl H <sub>2</sub> S/N <sub>2</sub> , 58AL cyl NH <sub>3</sub> /N <sub>2</sub> , dem flow reg, case & tubing	795.00
	81-5330RK-DLV	Cal kit, EAGLE, 34AL cyl H <sub>2</sub> S/N <sub>2</sub> , 34AL cyl NH <sub>3</sub> /N <sub>2</sub> , dem flow reg, screwdriver, case & tubing	790.00
72-5331RK	81-5331RK-LV	Cal kit, EAGLE, 34L cyl 50% LEL CH <sub>4</sub> /air, 34AL cyl 5 ppm SO <sub>2</sub> /N <sub>2</sub> , 34AL cyl 10 ppm NO <sub>2</sub> /Air, reg with gauge & knob, disp valve, gas bag, screwdriver, case & tubing	755.00
72-5335RK-05	81-5335RK-05	Cal kit, EAGLE, 58L cyl 50% vol CH <sub>4</sub> /N <sub>2</sub> , 103L steel cyl 15% CO <sub>2</sub> /N <sub>2</sub> , dem flow reg, screwdriver, case & tubing	660.00
72-5337RK	81-5337RK	Cal kit, EAGLE, 58AL cyl H <sub>2</sub> S/CO/CH <sub>4</sub> /O <sub>2</sub> , dem flow reg, case & tubing	535.00
72-5339RK	81-5339RK	Cal kit, EAGLE, 58AL cyl 5 ppm HCl/N <sub>2</sub> , reg with gauge & knob, gas bag, screwdriver, case & tubing	725.00
72-5350RK	81-5350RK-DLV	Cal kit, EAGLE, 103L steel cyl 50% LEL Methane/Air, 58AL cyl SiH <sub>4</sub> /N <sub>2</sub> , 34AL cyl Cl <sub>2</sub> /N <sub>2</sub> , dem flow reg, case & tubing	1,075.00
72-5354RK	81-5354RKIB-DLV	Cal kit, EAGLE, 34AL cyl 25 ppm H <sub>2</sub> S/CO/50% LEL isobutane/O <sub>2</sub> /N <sub>2</sub> , dem flow reg, screwdriver, case & tubing	550.00
	81-5354RKIB-LV	Cal kit, EAGLE, 34AL cyl 25 ppm H <sub>2</sub> S/CO/50% LEL isobutane/O <sub>2</sub> /N <sub>2</sub> , reg with gauge & knob, gas bag, screwdriver, case & tubing	420.00
72-5355RK	81-5355RK	Cal kit, EAGLE, 58AL cyl 50 ppm H <sub>2</sub> S/50% LEL isobutane/N <sub>2</sub> , reg with gauge & knob, gas bag, screwdriver, case & tubing	445.00
	81-5355RK-LV	Cal kit, EAGLE, 34AL cyl 50 ppm H <sub>2</sub> S/50% LEL isobutane/N <sub>2</sub> , reg with gauge & knob, gas bag, screwdriver, case & tubing	410.00
	81-5355RK-NG	Cal kit, EAGLE, reg with gauge & knob, gas bag, screwdriver, case for 58AL / 103L steel cylinders & tubing (No Gas)	225.00
72-5371RK-05	81-5371RK05	Cal kit, EAGLE, 34AL cyl H <sub>2</sub> S/N <sub>2</sub> , 103L steel cyl 15% CO <sub>2</sub> /N <sub>2</sub> , dem flow reg, screwdriver, case & tubing	630.00
72-5384RK-03	81-5384RK03-DLV	Cal kit, EAGLE, 34L cyl 2.5% CO <sub>2</sub> /N <sub>2</sub> , 17L cyl CO/Isobutane/O <sub>2</sub> , dem flow reg, screwdriver, case & tubing	490.00
72-5394RK	81-5394RKH2-DLV	Cal kit, EAGLE, 103L steel cyl 50% LEL H <sub>2</sub> in n <sub>2</sub> , 103L steel cyl 100 ppm CO in air, 34AL 5 ppm SO <sub>2</sub> in n <sub>2</sub> , dem flow reg, screwdriver, case & tubing	865.00

# Portable Calibration Kits

Instrument Part #	Cal Kit #	Cal Kit Description	Kit Price
<b>EAGLE</b>			
72-5401RK	81-5401RK	Cal kit, EAGLE, 58AL cyl H2S (25 ppm)/CO/CH4/O2, dem flow reg, case & tubing	535.00
	81-5401RK-DLV	Cal kit, EAGLE, 34AL cyl H2S (25 ppm)/CO/CH4/O2, dem flow reg, case & tubing	540.00
	81-5401RK-H	Cal kit, EAGLE, 58AL cyl H2S/CO/Hex/O2, dem flow reg, case & tubing	565.00
	81-5401RK-HLVD	Cal kit, EAGLE, 34AL cyl H2S/CO/Hex/O2, dem flow reg, case & tubing	540.00
	81-5401RK-LV	Cal kit, EAGLE, 34AL cyl H2S (25 ppm)/CO/CH4/O2, reg with gauge & knob, gas bag, case & tubing	415.00
	81-5401RK-P	Cal kit, EAGLE, 58AL cyl H2S/CO/32% LEL Pent/O2, dem flow reg, case & tubing	565.00
	81-5401RKD	Cal kit, EAGLE, 58AL cyl H2S (25 ppm)/CO/CH4/O2,reg with gauge & knob, cal cup, case & tubing	415.00
	81-5401RKIB-DLV	Cal kit, EAGLE, 34AL cyl 25 ppm H2S/CO/50% LEL isobutane/O2/N2, dem flow reg, case & tubing	540.00
	81-5401RKIB-LV		360.00
	81-5401RKNG	Cal kit, EAGLE, demand flow regulator, case for 58AL / 103L steel cylinders & tubing (No Gas)	345.00
	81-5401RKNG-LV	Cal kit, EAGLE, reg with gauge & knob, gas bag, screwdriver, case for 17/34L cylinders & tubing (No Gas)	255.00
72-5402RK	81-5402RK	Cal kit, EAGLE, 58AL cyl H2S (25 ppm)/CO/CH4/O2, 58AL cyl SO2/N2, dem flow reg, case & tubing	695.00
72-5403RK	81-5403RK	Cal kit, EAGLE, 58AL cyl SO2/CO/LEL/O2, dem flow reg, case & tubing	655.00
72-5404RK	81-5404RK	Cal kit, EAGLE, 58AL cyl H2S (25 ppm)/CO/CH4/O2, 58AL cyl Cl2/N2, dem flow reg, screwdriver, case & tubing	1,175.00
72-5405RK	81-5405RK	Cal kit, EAGLE, 103L steel cyl CO/CH4/O2, 58AL cyl Cl2/N2, dem flow reg, screwdriver, case & tubing	855.00
	81-5405RK-LV		575.00
72-5406RK	81-5406RK	Cal kit, EAGLE, 103L steel cyl CO/LEL/O2, 58AL cyl NH3/N2, 58AL cyl Cl2/N2, dem flow reg, screwdriver, case & tubing	1,495.00
	81-5406RK-LV	Cal kit, EAGLE, 34L cyl CO/CH4/O2, 34AL cyl Cl2/N2, disp valve, reg with gauge & knob, case & tubing	980.00
	81-5406RK-P	Cal kit, EAGLE, 103L steel cyl 25% LEL Pent/CO/O2, 58AL cyl NH3/N2, dem flow reg, screwdriver, case & tubing	1,495.00
72-5407RK	81-5407RK-LV	Cal kit, EAGLE, 34L steel cyl CO 50 ppm/CH4 50% LEL/O2 12% vol in N2, 34AL cyl NH3 25 ppm in N2, 34AL cyl Cl2 2 ppm in N2, dispensing valve, two regulator wth 6 LPM, gas bag, screwdriver, case & tubing	980.00
72-5408RK	81-5408RK-LV	Cal kit, EAGLE, 34AL cyl NH3/N2, 34AL cyl PH3/N2, 34L cyl CO/CH4/O2, reg with gauge & knob, dispensing valve, gas bag, screwdriver, case & tubing	895.00
72-5410RK	81-5410RK	Cal kit, EAGLE, 58AL cyl H2S (25 ppm)/CO/CH4/O2, 58AL cyl NH3/N2, dem flow reg, screwdriver, case & tubing	855.00
	81-5410RK-LV	Cal kit, EAGLE, 34AL cyl H2S (25 ppm)/CO/CH4/O2, 34AL cyl NH3/N2, reg with gauge & knob, gas bag, screwdriver, case & tubing	715.00
72-5412RK	81-5412RK	Cal kit, EAGLE, 103L steel cyl CO/LEL/O2, 58AL cyl 25 ppm NH3/N2, dem flow reg, screwdriver, case & tubing	815.00
	81-5412RK-DLV	Cal kit, EAGLE, 103L steel cyl CO/LEL/O2, 34AL cyl 25 ppm NH3/N2, dem flow reg, screwdriver, case & tubing	795.00
	81-5412RKH	Cal kit, EAGLE, 103L steel cyl CO/Hex/O2, 58AL cyl 25 ppm NH3/N2, dem flow reg, screwdriver, case & tubing	875.00
72-5415RK	81-5415RK-LV		615.00

## Portable Calibration Kits

Instrument Part #	Cal Kit #	Cal Kit Description	Kit Price
<b>EAGLE</b>			
72-5416RK-01	81-5416RK01	Cal kit, EAGLE, 103L steel cyl 2,000 ppm CO2/N2, 103L steel cyl CO/CH4/O2, dem flow reg, screwdriver, case & tubing	650.00
	81-5416RK01-DLV	Cal kit, EAGLE, 34L cyl 2,000 ppm CO2/N2, 34L cyl CO/CH4/O2, dem flow reg, screwdriver, case & tubing	500.00
	81-5416RK01-LV		275.00
72-5416RK-02	81-5416RK02	Cal kit, EAGLE, 103L steel cyl 5,000 ppm CO2/N2, 103L steel cyl CO/CH4/O2, dem flow reg, screwdriver, case & tubing	650.00
72-5416RK-03	81-5416RK03	Cal kit, EAGLE, 103L steel cyl 2.5% CO2/N2, 103L steel cyl CO/CH4/O2, dem flow reg, screwdriver, case & tubing	650.00
	81-5416RK03-DLV	Cal kit, EAGLE, 34L cyl 2.5% CO2/N2, 34L cyl CO/CH4/O2, dem flow, screwdriver, case & tubing	500.00
	81-5416RK03-LV	Cal kit, EAGLE, 34L cyl 2.5% CO2/N2, 34L cyl CO/CH4/O2, disp valve, gas bag, screwdriver, case & tubing	275.00
72-5416RK-04	81-5416RK04-LV	Cal kit, EAGLE, 34L cyl 15% CO2/N2, 34L cyl CO/CH4/O2, disp valve, gas bag, screwdriver, case & tubing	275.00
72-5416RK-05	81-5416RK05-DLV	Cal kit, EAGLE, 34L steel cyl CO2 2.5% vol in N2, 34L steel cyl CO 50 ppm/ch4 50% LEL/O2 12% in N2, demand flow regulator, screwdriver, case & tubing	500.00
72-5417RK	81-5417RK	Cal kit, EAGLE, 34L cyl CO/CH4/O2, 34AL cyl Cl2/N2, disp valve, reg with gauge & knob, gas bag, screwdriver, case & tubing	855.00
72-5421RK	81-5421RK	Cal kit, EAGLE, 34L cyl CO/CH4/O2, 34AL cyl Cl2/N2, disp valve, reg with gauge & knob, gas bag, screwdriver, case & tubing	1,005.00
	81-5421RK-LV		655.00
72-5422RK	81-5422RK	Cal kit, EAGLE, 34L cyl CO/CH4/O2, 34AL cyl SO2/N2, 34AL cyl Cl2/N2, disp valve, reg with gauge & knob, screwdriver, case & tubing	1,175.00
72-5424RK	81-5424RK-LV		960.00
72-5438RK	81-5438RK	Cal kit, EAGLE, 58L cyl 50% vol CH4/N2, 103L steel cyl CO/50% LEL CH4/O2/N2, dem flow reg, screwdriver, case & tubing	660.00
	81-5438RK-LV	Cal kit, EAGLE, 34L cyl 50% vol CH4/N2, 34L CO/CH4/O2/N2, disp valve, gas bag, screwdriver, case & tubing	265.00
72-5439RK-01	81-5439RK01	Cal kit, EAGLE, 103L steel cyl 2,000 ppm CO2/N2, 58AL cyl 25 ppm H2S/CO/CH4/O2/N2, dem flow reg, screwdriver, case & tubing	690.00
	81-5439RK01-H	Cal kit, EAGLE, 58AL cyl 25 ppm H2S/CO/15% LEL Hexane/O2/N2, 103L steel cyl 2,000 ppm CO2/N2, dem flow reg, screwdriver, case & tubing	715.00
72-5439RK-02	81-5439RK02-DLV	Cal kit, EAGLE, 34L cyl 5,000 ppm CO2/N2, 34AL cyl H2S/CO/CH4/O2, dem reg, screwdriver, case & tubing	655.00
	81-5439RK02-LV	Cal kit, EAGLE, 34L cyl 5,000 ppm CO2/N2, 34AL cyl H2S/CO/CH4/O2, disp valve, reg with gauge & knob, gas bag, screwdriver, case & tubing	505.00
72-5439RK-03	81-5439RK03-H	Cal kit, EAGLE, 103L steel cyl 2.5% CO2/N2, 58AL cyl H2S/CO/CH4/O2, dem flow reg, screwdriver, case & tubing	720.00
	81-5439RK03-HLV	Cal kit, EAGLE, 34L cyl 2.5% CO2/N2, 34AL cyl H2S/CO/CH4/O2, disp valve, reg with gauge & knob, gas bag, screwdriver, case & tubing	505.00
72-5439RK-04	81-5439RK04-HLV	Cal kit, EAGLE, 34L cyl 15% CO2/N2, 34AL cyl H2S/CO/Hex/O2, disp valve, reg with gauge & knob, gas bag, case & tubing	505.00
72-5439RK-05	81-5439RK05-DLV	Cal kit, EAGLE, 34L cyl 15% CO2/N2, 34AL cyl 25 ppm H2S/CO/CH4/O2/N2, dem flow reg, screwdriver, case & tubing	655.00
72-5440RK	81-5440RK	Cal kit, EAGLE, 103L steel cyl CO/LEL/O2, 58AL cyl PH3/N2, 58AL cyl HCl/N2, reg with gauge & knob, gas bag, screwdriver, case & tubing	1,215.00
	81-5440RKH	Cal kit, EAGLE, 103L steel cyl CO/15% LEL Hexane/O2/N2, 58AL cyl PH3/N2, 58AL cyl HCl/N2, reg with gauge & knob, gas bag, screwdriver, case & tubing	1,370.00

## Portable Calibration Kits

Instrument Part #	Cal Kit #	Cal Kit Description	Kit Price
<b>EAGLE</b>			
72-5441RK	81-5441RK	Cal kit, EAGLE, 58L cyl 50% vol CH4/N2, 103L steel cyl CO/CH4/O2, dem flow reg, screwdriver, case & tubing	660.00
72-5442RK	81-5442RK	Cal kit, EAGLE, 58L cyl 50% vol CH4/N2, 58AL cyl 25 ppm H2S/CO/50% LEL CH4/O2/N2, dem flow reg, screwdriver, case & tubing	700.00
72-5445RK	81-5445RK-LV	Cal kit, EAGLE, 34L cyl CO/N2, 34AL cyl NH3/N2, 34AL cyl Cl2/N2, disp valve, reg with gauge & knob, gas bag, screwdriver, case & tubing	980.00
72-5448RK-05	81-5448RK05H2	Cal kit, EAGLE, 103L steel cyl 50% LEL H2/N2, 103L steel cyl 15% CO2/N2, 34AL cyl NH3/N2, dem flow reg, screwdriver, case & tubing	1,005.00
72-5451RK	81-5401RK	Cal kit, EAGLE, 58AL cyl H2S (25 ppm)/CO/CH4/O2, dem flow reg, case & tubing	535.00
	81-5401RK-LV	Cal kit, EAGLE, 34AL cyl H2S (25 ppm)/CO/CH4/O2, reg with gauge & knob, gas bag, case & tubing	415.00
72-5452RK	81-5452RK		760.00
	81-5452RK-LV	Cal kit, EAGLE, 34L cyl CO/CH4/O2, 34AL cyl HCN/N2, reg with gauge & knob, disp valve, gas bag, case & tubing	570.00
72-5464RK	81-5464RK-LV	Cal kit, EAGLE, 34L cyl CO/CH4/O2/N2, 34AL cyl 25 ppm NH3/N2, reg with gauge & knob, disp valve, gas bag, screwdriver, case & tubing	690.00
72-5468RK-03	81-5468RK03-DLV		660.00
	81-5468RK03-LV	Cal kit, EAGLE, 34L cyl 2.5% CO2/N2, 34AL cyl 25 ppm H2S/CO/CH4/O2/N2, reg with gauge & knob, disp valve, gas bag, screwdriver, case & tubing	505.00
72-5473RK	81-5473RK-LV	Cal kit, EAGLE, 34L cyl CO/CH4/O2, 34AL cyl Cl2/N2, 34L cyl 100% N2, reg with gauge & knob, disp valve, gas bag, screwdriver, case & tubing	790.00
72-5474RK	81-5474RK03		875.00
	81-5474RK20	Cal kit, EAGLE, 58L cyl 50% vol CH4/N2, 103L steel cyl 5,000 ppm CO2/N2, 103L steel cyl CO/50% LEL CH4/O2/N2, dem flow reg, screwdriver, case & tubing	875.00
72-5474RK-04	81-5474RK04	Cal kit, EAGLE, 58L cyl 50% vol CH4/N2, 103L steel cyl 5,000 ppm CO2/N2, 103L steel cyl CO/50% LEL CH4/O2/N2, dem flow reg, screwdriver, case & tubing	875.00
72-5488RK	81-5488RKH-LV	Cal kit, EAGLE, 34L cyl CO/Hex/O2, 34AL cyl PH3/N2, 34AL cyl HCN/N2, reg with gauge & knob, disp valve, gas bag, screwdriver, case & tubing	835.00
72-5501RK	81-5501RK	Cal kit, EAGLE, 58AL cyl H2S/CO/CH4/O2, 58AL cyl SO2/N2, dem flow reg, screwdriver, case & tubing	695.00
	81-5501RK-DLV	Cal kit, EAGLE, 34AL cyl H2S/CO/CH4/O2, 34AL cyl SO2/N2, dem flow reg, screwdriver, case & tubing	690.00
	81-5501RK-H	Cal kit, EAGLE, 58AL cyl H2S/CO/Hex/O2, 58AL cyl SO2/N2, dem flow reg, case & tubing	725.00
72-5502RK	81-5502RK	Cal kit, EAGLE, 103L steel cyl 10% LEL Hex/Air, 58AL cyl H2S/CO/CH4/O2, 58AL cyl Cl2/N2, dem flow reg, screwdriver, case & tubing	1,175.00
72-5503RK	81-5503RK	Cal kit, EAGLE, 58AL cyl H2S/CO/CH4/O2, 58AL cyl NH3/N2, dem flow reg, screwdriver, case & tubing	855.00
	81-5503RK-DLV	Cal kit, EAGLE, 34AL cyl 25 ppm H2S/CO/CH4/O2, 34AL cyl NH3/N2, dem flow reg, screwdriver, case & tubing	830.00
72-5504RK-01	81-5504RK01	Cal kit, EAGLE, 103L steel cyl 2,000 ppm CO2/N2, 58AL cyl 25 ppm H2S/CO/CH4/O2, dem flow reg, screwdriver, case & tubing	690.00
	81-5504RK01-HLV	Cal kit, EAGLE, 34L cyl 2,000 ppm CO2/N2, 34AL cyl H2S/CO/Hex/O2, reg with gauge & knob, disp valve, gas bag, screwdriver, case & tubing	505.00
72-5504RK-02	81-5504RK02	Cal kit, EAGLE, 103L steel cyl 5,000 ppm CO2/N2, 58AL cyl 25 ppm H2S/CO/CH4/O2, dem flow reg, screwdriver, case & tubing	685.00

# Portable Calibration Kits

Instrument Part #	Cal Kit #	Cal Kit Description	Kit Price
<b>EAGLE</b>			
72-5504RK-03	81-5504RK03	Cal kit, EAGLE, 103L steel cyl 2.5% CO2/N2, 58AL cyl 25 ppm H2S/CO/CH4/O2, dem flow reg, screwdriver, case & tubing	685.00
	81-5504RK03-DLV	Cal kit, EAGLE, 103L steel cyl 2,5% CO2/N2, 34AL cyl H2S/CO/CH4/O2, dem flow reg, screwdriver, case & tubing	660.00
	81-5504RK03-LV	Cal kit, EAGLE, 34L cyl 2,5% CO2/N2, 34AL cyl H2S/CO/CH4/O2, reg with gauge & knob, disp valve, gas bag, screwdriver, case & tubing	505.00
72-5504RK-04	81-5504RK04-LV	Cal kit, EAGLE, 34L cyl 15% CO2/N2, 34AL cyl H2S/CO/CH4/O2, reg with gauge & knob, disp valve, gas bag, screwdriver, case & tubing	505.00
72-5504RK-05	81-5504RK05	Cal kit, EAGLE, 103L steel cyl 15% CO2/N2, 58AL cyl 25 ppm H2S/CO/CH4/O2, dem flow reg, screwdriver, case & tubing	690.00
72-5505RK	81-5505RK	Cal kit, EAGLE, 103L steel cyl CO/CH4/O2, 58AL cyl SO2/N2, 58AL cyl Cl2/N2, dem flow reg, screwdriver, case & tubing	1,350.00
72-5506RK	81-5506RK	Cal kit, EAGLE, 103L steel cyl CO/CH4/O2, 58AL cyl NH3/N2, 58AL cyl Cl2/N2, dem flow reg, screwdriver, case & tubing	1,495.00
72-5508RK	81-5508RKH-LV	Cal kit, EAGLE, 34AL cyl H2S/CO/Hex/O2, 34AL cyl HCl/N2, reg with gauge & knob, screwdriver, case & tubing	735.00
72-5510RK	81-5510RK-LV	Cal kit, EAGLE, 34L cyl CO/CH4/O2, 34AL cyl SO2/N2, 34AL cyl NO/N2, disp valve, reg with gauge & knob, gas bag, screwdriver, case & tubing	755.00
72-5520RK-03	81-5520RK03	Cal kit, EAGLE, 103L steel cyl 2.5% CO2/N2, 103L steel cyl CO/CH4/O2, 58AL cyl NH3/N2, dem flow reg, case & tubing	1,025.00
72-5525RK	81-5525RK	Cal kit, EAGLE, 58AL cyl H2S/CO/CH4/O2, 58AL cyl Cl2/N2, dem flow reg, screwdriver, case & tubing	1,175.00
72-5526RK	81-5526RK-LV	Cal kit, EAGLE, 34AL cyl H2S/CO/CH4/O2, 34AL cyl NH3/N2, 34AL cyl Cl2/N2, reg with gauge & knob, gas bag, screwdriver, case & tubing	1,060.00
72-5529RK	81-5529RK-DLV	Cal kit, EAGLE, 34AL cyl 25 ppm H2S/CO/CH4/O2/N2, 34AL cyl 2 ppm Chlorine/N2, dem flow reg, screwdriver, case & tubing	1,060.00
72-5549RK	81-5549RK	Cal kit, EAGLE, 103L steel cyl 50% LEL Hydrogen/Air, 103L steel cyl 100% N2, 58AL cyl H2S/CO/CH4/O2, 58AL cyl 2 ppm Chlorine/N2, dem flow reg, screwdriver, case & tubing	1,195.00
72-5550RK	81-5550RK-HLV	Cal kit, EAGLE, 34L cyl CO/CH4/O2/N2, 34AL cyl 2 ppm Chlorine/N2, 34AL cyl 0.5 ppm Phosphine/N2, dem flow reg, screwdriver, case & tubing	835.00
72-5601RK	81-5601RK	Cal kit, EAGLE, 58AL cyl H2S/CO/CH4/O2, 58AL cyl NH3/N2, 58AL cyl Cl2/N2, dem flow reg, screwdriver, case & tubing	1,525.00
	81-5601RK-DLV	Cal kit, EAGLE, 34AL cyl H2S/CO/CH4/O2, 34AL cyl 10 ppm Ammonia/N2, 34AL cyl 2 ppm Chlorine/N2, dem flow reg, screwdriver, case & tubing	1,335.00
	81-5601RK-LV	Cal kit, EAGLE, 34AL cyl H2S/CO/CH4/O2, 34AL cyl NH3/N2, 34AL cyl Cl2/N2, reg with gauge & knob, gas bag, screwdriver, case & tubing	1,060.00
72-5606RK	81-5606RK-LV	Cal kit, EAGLE, 34AL cyl H2S/CO/CH4, 34AL cyl PH3/N2, 34AL cyl HCl/N2, reg with gauge & knob, gas bag, screwdriver, case & tubing	995.00
72-5608RK-02	81-5608RK02	Cal kit, EAGLE, 103L steel cyl 5,000 ppm CO2/N2, 58AL cyl H2S/CO/CH4/O2, 58AL cyl NH3/N2, dem flow reg, screwdriver, case & tubing	1,065.00
	81-5608RK02-LV	Cal kit, EAGLE, 34L cyl 5,000 ppm CO2/N2, 34AL cyl H2S/CO/CH4/O2, disp valve, reg with gauge & knob, gas bag, screwdriver, case & tubing	795.00
72-5608RK-03	81-5608RK03-DLV	Cal kit, EAGLE, 103L steel cyl 2.5% CO2/N2, 34AL cyl H2S/CO/CH4/O2, 34AL cyl NH3/N2, dem flow reg, screwdriver, case & tubing	1,015.00
72-5609RK	81-5609RK01	Cal kit, EAGLE, 103L steel cyl 2,000 ppm CO2/N2, 58AL cyl H2S/CO/CH4/O2, 58AL cyl NO2/Air, dem flow reg, screwdriver, case & tubing	1,065.00
72-5612RK-03	81-5612RK03-LV	Cal kit, EAGLE, 34AL cyl 25 ppm H2S/CO/CH4/O2, 34AL cyl Cl2/N2, 34L cyl CO2/N2, reg with gauge & knob, disp valve, gas bag, screwdriver, case & tubing	855.00

# Portable Calibration Kits

Instrument Part #	Cal Kit #	Cal Kit Description	Kit Price
<b>EAGLE</b>			
72-5616RK-03	81-5616RK03-LV	Cal kit, EAGLE, 34L cyl 2.5% CO2/N2, 34AL cyl 25 ppm H2S/CO/CH4/O2/N2, 34AL SO2/N2, reg with gauge & knob, disp valve, gas bag, screwdriver, case & tubing	645.00
72-5621RK	81-5621RK-DLV	Cal kit, EAGLE/GX-6000, 34AL cyl SO2 5 ppm/H2S 25 ppm/CO 50 ppm/CH4 50% LEL/O2 12% in N2, 34AL cyl 2 ppm Cl2 in N2, two demand flow regulators, screwdriver, case & tubing	1,100.00
<b>EAGLE 2</b>			
721-002	81-5102RK-DLV	Cal kit, EAGLE/EAGLE 2, 34L cyl 100% Nitrogen, dem flow reg, case & tubing	435.00
721-006	81-5106RK-DLV	Cal kit, EAGLE, 34AL cyl 2 ppm Chlorine/N2, dem reg, screwdriver, case & tubing	620.00
721-021	811-021-DLV	Cal kit, EAGLE 2, 17L cyl 10% vol isobutane/N2, dem flow reg, case & tubing	425.00
721-101-20	811-101-20DLV	Cal kit, EAGLE 2, 34L cyl 100% hydrogen, dem flow reg, case & tubing	445.00
721-101-P1	811-101-P1	Cal kit, EAGLE 2, 103L cyl 10 ppm isobutylene in air, dem flow reg, case & tubing	495.00
	811-101-P1-DLV	Cal kit, EAGLE 2, 34L cyl 10 ppm isobutylene in air, dem flow reg, case & tubing	530.00
721-101-P2	811-101-P2	Cal kit, EAGLE 2, 103L cyl 100 ppm isobutylene in air, dem flow reg, case & tubing	495.00
	811-101-P2-DLV	Cal kit, EAGLE 2, 34L cyl 100 ppm isobutylene in air, dem flow reg, case & tubing	435.00
722-001	81-5201RK	Cal kit, EAGLE, 103L steel cyl CH4/CO/O2, dem flow reg, case & tubing	495.00
	81-5201RK-LV	Cal kit, EAGLE, 34L cyl CH4/CO/O2, disp valve, gas bag, case & tubing	210.00
722-002	81-5202RK	Cal kit, EAGLE, 103 L cyl CH4/CO/O2, dem flow reg, case & tubing	495.00
	81-5202RK-LV	Cal kit, EAGLE, 34L cyl CH4/CO/O2, disp valve, gas bag, case & tubing	210.00
722-003	81-5203RK	Cal kit, EAGLE, 58AL cyl H2S (25 ppm)/CO/CH4/O2, dem flow reg, case & tubing	535.00
	81-5203RK-LV	Cal kit, EAGLE, 34AL cyl H2S (25 ppm)/CO/CH4/O2, reg with gauge & knob, gas bag, case & tubing	415.00
722-045	812-045-DLV	Cal kit, EAGLE 2, 34L cyl 50% vol CH4, dem flow reg, case & tubing	445.00
722-059	81-5259RK-LV	Cal kit, EAGLE, 34AL cyl NH3/N2, reg with gauge & knob, gas bag, screwdriver, case & tubing	555.00
722-101-P1	812-101-P1-HDLV	Cal kit, EAGLE 2, 34L cyl 10% LEL Hex/Air, 34L cyl 10 ppm isobutylene/air, dem flow reg, case & tubing	645.00
722-101-P2	812-101-P2	Cal kit, EAGLE 2, 103L cyl 50% LEL CH4/Air, 103L cyl 100 ppm isobutylene in air, dem flow reg, case & tubing	645.00
	812-101-P2-DLV	Cal kit, EAGLE 2, 34L cyl 50% LEL CH4/Air, 34L cyl 10 ppm isobutylene in air, dem flow reg, case & tubing	490.00
	812-101-P25	Cal kit, EAGLE 2, 58AL cyl 100 ppm isobutylene/50% LEL CH4/25 ppm H2S/50 ppm CO/12% O2/N2, dem flow reg, case & tubing	685.00
722-102-20	812-102-20-DLV	Cal kit, EAGLE 2, 34L cyl 100% H2, dem flow reg, case & tubing	435.00
722-112-H2	812-112-H2	Cal Kit, EAGLE 2, 103L steel cyl H2 50% LEL in air, 103L steel cyl CH4 50% LEL in Air, demand flow regulator, case & tubing	645.00
723-001	81-5301RK	Cal kit, EAGLE, 58AL cyl H2S/CO/CH4/O2, dem flow reg, case & tubing	535.00
	81-5301RK-LV	Cal kit, EAGLE, 34AL cyl H2S/CO/CH4/O2, reg with gauge & knob, gas bag, case & tubing	415.00
723-002	81-5302RK	Cal kit, EAGLE, 103L steel cyl CO/CH4/O2, dem flow reg, case & tubing	495.00
	81-5302RK-LV	Cal kit, EAGLE, 34L cyl CO/CH4/O2, disp valve, gas bag, case & tubing	210.00
723-026-02	813-026-02-DLV	Cal kit, EAGLE 2, 34L cyl 5000 ppm CO/N2, 34L cyl CO/CH4/O2, dem flow reg, case & tubing	490.00

# Portable Calibration Kits

Instrument Part #	Cal Kit #	Cal Kit Description	Kit Price
<b>EAGLE 2</b>			
723-101-P1	813-101-P1-DLV	Cal kit, EAGLE 2, 34L cyl 50 ppm CO/50% LEL CH4/12% O2/N2, 34L cyl 10 ppm isobutylene in air, dem flow reg, case & tubing	490.00
723-101-P2	813-101-P2	Cal kit, EAGLE 2, 103L cyl 50 ppm CO/50% LEL CH4/12% O2/N2, 103L cyl 100 ppm isobutylene in air, dem flow reg, case & tubing	645.00
	813-101-P2-DLV	Cal kit, EAGLE 2, 34L cyl 50 ppm CO/50% LEL CH4/12% O2/N2, 34L cyl 100 ppm isobutylene in air, dem flow reg, case & tubing	490.00
	813-101-P2-HDLV	Cal kit, EAGLE 2, 34L cyl 50 ppm CO/50% LEL Hex/12% O2/N2, 34L cyl 100 ppm isobutylene in air, dem flow reg, case & tubing	490.00
723-104-20-ID	813-104-20LV	Cal kit, EAGLE 2, 34L steel cyl H2 100% vol, 34L steel cyl H2 50% LEL in air, 34L steel cyl N2 100%, dispensing valve, gas bag, case & tubing	350.00
723-106-10	813-106-10-DLV	Cal kit, EAGLE 2, 34L 4% vol H2/N2, 34L CO/CH4/O2, dem flow reg, case & tubing	490.00
723-113	813-113-LV	Cal kit, EAGLE 2, 34L cyl 2.5% CO2/N2, 34AL cyl 25 ppm NH3/N2, 34AL cyl Cl2/N2, dispensing valve, reg, gas bag, case & tubing	975.00
723-114-25	813-114-25-DLV	Cal kit, EAGLE 2, 34L cyl 100% H2, 34L cyl 15% CO2/N2, dem flow reg, case & tubing	500.00
724-001	81-5401RK	Cal kit, EAGLE, 58AL cyl H2S (25 ppm)/CO/CH4/O2, dem flow reg, case & tubing	535.00
	81-5401RK-DLV	Cal kit, EAGLE, 34AL cyl H2S (25 ppm)/CO/CH4/O2, dem flow reg, case & tubing	540.00
	81-5401RK-LV	Cal kit, EAGLE, 34AL cyl H2S (25 ppm)/CO/CH4/O2, reg with gauge & knob, gas bag, case & tubing	415.00
724-039-03	81-5439RK03-DLV	Cal kit, EAGLE, 34L cyl 2.5% vol CO2/N2, 34AL cyl H2S/CO/CH4/O2, dem reg, screwdriver, case & tubing	655.00
724-074-03	814-074-03-DLV	Cal kit, EAGLE 2, 34L cyl CO/CH4/O2, 34L cyl 2.5% CO2/N2, 34L cyl 50% vol CH4/N2, dem flow reg, case & tubing	545.00
724-074-05	814-074-05-DLV	Cal kit, EAGLE 2, 34L cyl CO/CH4/O2, 34L cyl 15% CO2/N2, 34L cyl 50% vol CH4/N2, dem flow reg, case & tubing	545.00
724-101-P1	814-101-P1	Cal kit, EAGLE 2, 58AL cyl H2S/CO/CH4/O2, 103L cyl 10 ppm isobutylene in air, dem flow reg, case & tubing	685.00
	814-101-P1-DLV	Cal kit, EAGLE 2, 34AL cyl H2S/CO/CH4/O2, 34AL cyl 10 ppm isobutylene in air, dem flow reg, case & tubing	690.00
724-101-P2	814-101-P25	Cal kit, EAGLE 2, 58AL cyl 100 ppm isobutylene/25 ppm H2S/50 ppm CO/50% LEL CH4/12% O2/N2, dem flow reg, case & tubing	685.00
	814-101-P25-DLV	Cal kit, EAGLE 2, 34AL cyl 100 ppm isobutylene/25 ppm H2S/50 ppm CO/50% LEL CH4/12% O2/N2, dem flow reg, case & tubing	610.00
724-102-P2	814-102-P2-DLV	Cal kit, EAGLE 2, 34L cyl CO/CH4/O2, 34L cyl 100 ppm isobutylene/air, dem flow reg, case & tubing	490.00
724-103-25	814-103-25-DLV	Cal kit, EAGLE 2, 34L cyl 50% LEL H2/N2, 34L cyl 100% H2, 34L cyl 15% vol CO2/N2, dem flow reg, case & tubing	555.00
724-114-P2	814-114-P2-DLV	Cal kit, EAGLE 2, 103L cyl 50% LEL CH4/Air, 34AL cyl 100 ppm isobutylene in air, 34AL cyl 25 ppm NH3/N2, dem flow reg, case & tubing	1,535.00
	814-114-P2-HDLV	Cal kit, EAGLE 2, 103L cyl 10% LEL Hex/air, 34AL cyl 100 ppm isobutylene/air, 34AL cyl 25 ppm NH3/N2, 34AL cyl 2 ppm Cl2/N2, dem flow reg, case & tubing	1,535.00
725-001	815-001-DLV	Cal kit, EAGLE 2, 34AL cyl SO2/H2S/CO/CH4/O2, dem flow reg, case & tubing	580.00
725-101-P1	815-101-P1-DLV	Cal kit, EAGLE 2, 34AL cyl H2S/CO/CH4/O2, 34AL cyl 10 ppm isobutylene in air, dem flow reg, case & tubing	690.00



# Portable Calibration Kits

Instrument Part #	Cal Kit #	Cal Kit Description	Kit Price
<b>EAGLE 2</b>			
725-101-P2	815-101-P2	Cal kit, EAGLE 2, 58AL cyl H2S/CO/CH4/O2, 103L cyl 100 ppm isobutylene in air, dem flow reg, case & tubing	685.00
	815-101-P2-DLV	Cal kit, EAGLE 2, 34AL cyl H2S/CO/CH4/O2, 34AL cyl 100 ppm isobutylene in air, dem flow reg, case & tubing	690.00
	815-101-P2-HDLV	Cal kit, EAGLE 2, 34AL cyl H2S/CO/Hex/O2, 34AL cyl 100 ppm isobutylene in air, dem flow reg, case & tubing	690.00
	815-101-P2-LV	Cal kit, EAGLE 2, 34AL cyl H2S/CO/CH4/O2, 34AL cyl 100 ppm isobutylene in air, reg with gauge & knob, gas bag, case & tubing	565.00
725-106-05	815-106-05-DLV	Cal kit, EAGLE 2, 34AL cyl H2S/CO/CH4/O2, 34L cyl 15% CO2/N2, dem flow reg, case & tubing	655.00
726-102-P2	816-102-P25-DLV	Cal kit, EAGLE 2, 34AL cyl 100 ppm isobutylene/H2S/CO/CH4/O2/N2, 34AL cyl 25 ppm NH3/N2, dem flow reg, case & tubing	905.00
726-106-03-P2	816-106-03P2DLV	Cal kit, EAGLE 2, 34AL cyl H2S/CO/CH4/O2, 34AL cyl 100 ppm isobutylene/N2, 103L, 2.5% CO2/N2, dem flow reg, case & tubing	865.00
726-106-05-P2	816-106-05P2DLV	Cal kit, EAGLE 2, 34AL cyl H2S/CO/CH4/O2, 34AL cyl 100 ppm isobutylene/N2, 103L, 15% CO2/N2, dem flow reg, case & tubing	865.00
726-109-P2	816-109-P2-DLV	Cal kit, EAGLE 2, 34AL cyl H2S/CO/CH4/O2, 34AL cyl 5 ppm SO2/N2, 34AL, 10 ppm NH3/N2, 34AL 100 ppm isobutylene/air, dem flow reg, two cases & tubing	1,130.00
726-111-30-P2	816-111-30P2DLV	Cal kit, EAGLE 2, 58L 100% vol CH4, 34AL cyl 100 ppm isobutylene/Air, 34AL cyl H2S/CO/CH4/O2/N2, dem flow reg, case & tubing	840.00
726-115-05	816-115-02	Cal kit, EAGLE 2, 34AL cyl H2S/CO/CH4/O2, 103L cyl 50% CH4/N2, 103L, 5000 CO2/N2, dem flow reg, case & tubing	875.00
726-124-P2	816-124-P2	Cal kit, EAGLE 2, 103L cyl CO/CH4/O2/N2, 34AL cyl 100 ppm isobutylene/Air, 34AL cyl 25 ppm NH3/N2, 34AL cyl PH3/N2, dem flow reg, case & tubing	1,395.00
<b>Gas Tracer</b>			
72-0291-51	81-GT51-DLV	Cal kit, Gas Tracer, 34L cyl 500 ppm CH4/Air, humidifier tube, dem flow reg, case & tubing	555.00
72-0291-54	81-GT64-DLV	Cal kit, Gas Tracer, 34L cyl 500 ppm CH4/Air, 34L CO/CH4/O2, humidifier tube, dem flow reg, case & tubing	610.00
72-0291-55	81-GT64-DLV	Cal kit, Gas Tracer, 34L cyl 500 ppm CH4/Air, 34L CO/CH4/O2, humidifier tube, dem flow reg, case & tubing	610.00
72-0291-56	81-GT64-DLV	Cal kit, Gas Tracer, 34L cyl 500 ppm CH4/Air, 34L CO/CH4/O2, humidifier tube, dem flow reg, case & tubing	610.00
72-0291-59	81-GT64-DLV	Cal kit, Gas Tracer, 34L cyl 500 ppm CH4/Air, 34L CO/CH4/O2, humidifier tube, dem flow reg, case & tubing	610.00
72-0291-60	81-GT64-DLV	Cal kit, Gas Tracer, 34L cyl 500 ppm CH4/Air, 34L CO/CH4/O2, humidifier tube, dem flow reg, case & tubing	610.00
72-0291-61	81-GT69	Cal kit, Gas Tracer, 103L steel cyl 500 ppm CH4/Air, 58L steel 100% vol CH4, 103L steel CO/CH4/O2, humidifier tube, dem flow reg, case & tubing	1,060.00
72-0291-64	81-GT64-DLV	Cal kit, Gas Tracer, 34L cyl 500 ppm CH4/Air, 34L CO/CH4/O2, humidifier tube, dem flow reg, case & tubing	610.00
<b>Gas Tracer</b>			
72-0291-65	81-GT69	Cal kit, Gas Tracer, 103L steel cyl 500 ppm CH4/Air, 58L steel 100% vol CH4, 103L steel CO/CH4/O2, humidifier tube, dem flow reg, case & tubing	1,060.00
72-0291-66	81-GT69	Cal kit, Gas Tracer, 103L steel cyl 500 ppm CH4/Air, 58L steel 100% vol CH4, 103L steel CO/CH4/O2, humidifier tube, dem flow reg, case & tubing	1,060.00
72-0291-69	81-GT69	Cal kit, Gas Tracer, 103L steel cyl 500 ppm CH4/Air, 58L steel 100% vol CH4, 103L steel CO/CH4/O2, humidifier tube, dem flow reg, case & tubing	1,060.00

# Portable Calibration Kits

Instrument Part #	Cal Kit #	Cal Kit Description	Kit Price
<b>GasWatch 2</b>			
72-0007RK	81-GW2X-LV	Cal kit, GW2, 34L cyl 100% N2, reg with gauge & knob, cal cup, case & tubing	315.00
72-0009RK	81-OX07-LV	Cal kit, OX-07, 34L cyl 100% N2, reg with gauge & knob, cal cup, case & tubing	380.00
	81-OX07NG-LV	Cal kit, OX-01, with no gas, reg with gauge & knob, cal cup, case & tubing	325.00
73-0040K	81-GW2C-LV	Cal kit, GW2, 34L cyl CO / N2, reg with gauge & knob, cal cup, case & tubing	315.00
73-0041RK	81-GW2H-LV	Cal kit, GW2, 34AL cyl H2S/N2, reg with gauge & knob, cal cup, case & tubing	390.00
<b>GasWatch 3</b>			
72-0012	81-GW3OX-LV	Cal kit, GasWatch 3, N2 100%, 34L cyl, regulator, cal cup, case & tubing	305.00
72-0012-01	81-GW3OX-LV	Cal kit, GasWatch 3, N2 100%, 34L cyl, regulator, cal cup, case & tubing	305.00
72-0015RK	81-OX1	Cal kit, OX-1, 34L cyl 100% N2, reg with gauge & knob, screwdriver, case & tubing	290.00
72-0025	81-GW3CO-LV	Cal kit, GasWatch 3, CO 50 ppm / N2, 34L cyl, regulator, cal cup, case & tubing	305.00
72-0025-01	81-GW3CO-LV	Cal kit, GasWatch 3, CO 50 ppm / N2, 34L cyl, regulator, cal cup, case & tubing	305.00
73-0022	81-GW3HS	Cal kit, GasWatch 3, H2S 25 ppm / N2, 58AL cyl, regulator, cal cup, case & tubing	365.00
	81-GW3HS-LV	Cal kit, GasWatch 3, H2S 25 ppm / N2, 34AL cyl, regulator, cal cup, case & tubing	380.00
73-0022-01	81-GW3HS	Cal kit, GasWatch 3, H2S 25 ppm / N2, 58AL cyl, regulator, cal cup, case & tubing	365.00
	81-GW3HS-LV	Cal kit, GasWatch 3, H2S 25 ppm / N2, 34AL cyl, regulator, cal cup, case & tubing	380.00
73-0023	81-GW3CO	Cal kit, GasWatch 3, CO 50 ppm / N2, 103L steel cyl, regulator, cal cup, case & tubing	365.00
	81-GW3CO-LV	Cal kit, GasWatch 3, CO 50 ppm / N2, 34L cyl, regulator, cal cup, case & tubing	305.00
73-0023-01	81-GW3CO	Cal kit, GasWatch 3, CO 50 ppm / N2, 103L steel cyl, regulator, cal cup, case & tubing	365.00
	81-GW3CO-LV	Cal kit, GasWatch 3, CO 50 ppm / N2, 34L cyl, regulator, cal cup, case & tubing	305.00
73-0025	81-GW3COH-LV	Cal kit, GasWatch 3, CO 50 ppm / N2, 34L, H2 200 ppm / air, 34L, regulator, cal cup, case & tubing	325.00
73-0025-01	81-GW3COH-LV	Cal kit, GasWatch 3, CO 50 ppm / N2, 34L, H2 200 ppm / air, 34L, regulator, cal cup, case & tubing	325.00
<b>GP-01</b>			
72-0076-CH4	81-GP1000-DLV	Cal kit, GP-1000, 34AL 50% CH4 in air, dem flow reg, case & tubing	435.00
72-0076-HC	81-GP1000IBDLV	Cal kit, GP-1000, 34AL 50% isobutane in air, dem flow reg, case & tubing	435.00
72-0077-HC	81-NC1000-DLV	Cal kit, NC-1000, 34AL isobutane 500 ppm in air, dem flow reg, case & tubing	435.00
<b>GX-2001</b>			
72-0229RK	81-GX01HCOIB-LV	Cal kit, GX-2001/GX-2009, 34AL cyl Isobutane/H2S/CO/O2, reg with gauge & knob, cal cap, case & tubing	405.00
	81-GX01HSCO	Cal kit, GX-2001/GX-2009, 58AL cyl Methane/H2S/CO/O2, reg with gauge & knob, cal cap, case & tubing	395.00
	81-GX01HSCO-LV	Cal kit, GX-2001/GX-2009, 34AL cyl Methane/H2S/CO/O2, reg with gauge & knob, cal cap, case & tubing	405.00
	81-GX01HXCO-LV	Cal kit, GX-2001/GX-2009, 34L cyl Hexane/O2/H2S/CO/N2, reg with gauge & knob, cal cap, case & tubing	405.00
	81-GX01HXCO-LV	Cal kit, GX-2001/GX-2009, 34L cyl Hexane/O2/H2S/CO/N2, reg with gauge & knob, cal cap, case & tubing	405.00
72-0230RK	81-GX01IB-LV	Cal kit, GX-2001/GX-2009, 34L cyl Isobutane/air, 34L cyl 100% N2, reg with gauge & knob, cal cap, case & tubing	355.00

# Portable Calibration Kits

Instrument Part #	Cal Kit #	Cal Kit Description	Kit Price
<b>GX-2001</b>			
72-0231RK	81-GX01CO	Cal kit, GX-2001/GX-2009, 103L steel cyl Methane/CO/O2, reg with gauge & knob, cal cap, case & tubing	355.00
	81-GX01CO-LV	Cal kit, GX-2001/GX-2009, 34L cyl Methane/CO/O2, reg with gauge & knob, cal cap, case & tubing	300.00
72-0232RK	81-GX01HCOIB-LV	Cal kit, GX-2001/GX-2009, 34AL cyl Isobutane/H2S/CO/O2, reg with gauge & knob, cal cap, case & tubing	405.00
	81-GX01HSCO	Cal kit, GX-2001/GX-2009, 58AL cyl Methane/H2S/CO/O2, reg with gauge & knob, cal cap, case & tubing	395.00
	81-GX01HSCO-LV	Cal kit, GX-2001/GX-2009, 34AL cyl Methane/H2S/CO/O2, reg with gauge & knob, cal cap, case & tubing	405.00
	81-GX01HXCO-LV	Cal kit, GX-2001/GX-2009, 34L cyl Hexane/O2/H2S/CO/N2, reg with gauge & knob, cal cap, case & tubing	405.00
72-0233RK	81-GX01HCOIB-LV	Cal kit, GX-2001/GX-2009, 34AL cyl Isobutane/H2S/CO/O2, reg with gauge & knob, cal cap, case & tubing	405.00
	81-GX01HSCO	Cal kit, GX-2001/GX-2009, 58AL cyl Methane/H2S/CO/O2, reg with gauge & knob, cal cap, case & tubing	395.00
	81-GX01HSCO-LV	Cal kit, GX-2001/GX-2009, 34AL cyl Methane/H2S/CO/O2, reg with gauge & knob, cal cap, case & tubing	405.00
	81-GX01HXCO-LV	Cal kit, GX-2001/GX-2009, 34L cyl Hexane/O2/H2S/CO/N2, reg with gauge & knob, cal cap, case & tubing	405.00
<b>GX-2003</b>			
72-0240RK	81-GX03CO	Cal kit, GX-2003/GX-2012, 103L steel cyl CO/CH4/O2 in N2, dem flow reg, case & tubing	455.00
	81-GX03CO-DLV	Cal kit, GX-2003/GX-2012, 34L cyl CO/CH4/O2, dem flow reg, case & tubing	435.00
	81-GX03CO-DLV	Cal kit, GX-2003/GX-2012, 34L cyl CO/CH4/O2, dem flow reg, case & tubing	435.00
	81-GX03CO-LV	Cal kit, GX-2003/GX-2012, 34L cyl CO/CH4/O2 in N2, dispensing valve, gas bag, case & tubing	210.00
72-0241RK	81-GX03CO	Cal kit, GX-2003/GX-2012, 103L steel cyl CO/CH4/O2 in N2, dem flow reg, case & tubing	455.00
	81-GX03CO-DLV	Cal kit, GX-2003/GX-2012, 34L cyl CO/CH4/O2, dem flow reg, case & tubing	435.00
	81-GX03CO-LV	Cal kit, GX-2003/GX-2012, 34L cyl CO/CH4/O2 in N2, dispensing valve, gas bag, case & tubing	210.00
72-0250RK	81-GX03CO	Cal kit, GX-2003/GX-2012, 103L steel cyl CO/CH4/O2 in N2, dem flow reg, case & tubing	455.00
	81-GX03CO-DLV	Cal kit, GX-2003/GX-2012, 34L cyl CO/CH4/O2, dem flow reg, case & tubing	435.00
	81-GX03CO-LV	Cal kit, GX-2003/GX-2012, 34L cyl CO/CH4/O2 in N2, dispensing valve, gas bag, case & tubing	210.00
72-0251RK	81-GX03CO	Cal kit, GX-2003/GX-2012, 103L steel cyl CO/CH4/O2 in N2, dem flow reg, case & tubing	455.00
	81-GX03CO-DLV	Cal kit, GX-2003/GX-2012, 34L cyl CO/CH4/O2, dem flow reg, case & tubing	435.00
	81-GX03CO-LV	Cal kit, GX-2003/GX-2012, 34L cyl CO/CH4/O2 in N2, dispensing valve, gas bag, case & tubing	210.00
72-0260RK	81-GX03HSCO	Cal kit, GX-2003/GX-2012, 58AL cyl H2S (25 ppm)/CO/CH4/O2, dem flow reg, case & tubing	495.00
	81-GX03HSCO-DLV	Cal kit, GX-2003/GX-2012, 34AL cyl H2S (25 ppm)/CO/CH4/O2, dem flow reg, case & tubing	500.00
	81-GX03HSCO-LV	Cal kit, GX-2003/GX-2012, 34AL cyl H2S (25 ppm)/CO/CH4/O2, reg with gauge & knob, gas bag, case & tubing	415.00

# Portable Calibration Kits

Instrument Part #	Cal Kit #	Cal Kit Description	Kit Price
<b>GX-2003</b>			
72-0261RK	81-GX03HSCO	Cal kit, GX-2003/GX-2012, 58AL cyl H2S (25 ppm)/CO/CH4/O2, dem flow reg, case & tubing	495.00
	81-GX03HSCO-DLV	Cal kit, GX-2003/GX-2012, 34AL cyl H2S (25 ppm)/CO/CH4/O2, dem flow reg, case & tubing	500.00
	81-GX03HSCO-LV	Cal kit, GX-2003/GX-2012, 34AL cyl H2S (25 ppm)/CO/CH4/O2, reg with gauge & knob, gas bag, case & tubing	415.00
72-0270RK	81-GX03HSCO	Cal kit, GX-2003/GX-2012, 58AL cyl H2S (25 ppm)/CO/CH4/O2, dem flow reg, case & tubing	495.00
	81-GX03HSCO	Cal kit, GX-2003/GX-2012, 58AL cyl H2S (25 ppm)/CO/CH4/O2, dem flow reg, case & tubing	495.00
	81-GX03HSCO-DLV	Cal kit, GX-2003/GX-2012, 34AL cyl H2S (25 ppm)/CO/CH4/O2, dem flow reg, case & tubing	500.00
	81-GX03HSCO-LV	Cal kit, GX-2003/GX-2012, 34AL cyl H2S (25 ppm)/CO/CH4/O2, reg with gauge & knob, gas bag, case & tubing	415.00
72-0271RK	81-GX03HSCO	Cal kit, GX-2003/GX-2012, 58AL cyl H2S (25 ppm)/CO/CH4/O2, dem flow reg, case & tubing	495.00
	81-GX03HSCO	Cal kit, GX-2003/GX-2012, 58AL cyl H2S (25 ppm)/CO/CH4/O2, dem flow reg, case & tubing	495.00
	81-GX03HSCO-DLV	Cal kit, GX-2003/GX-2012, 34AL cyl H2S (25 ppm)/CO/CH4/O2, dem flow reg, case & tubing	500.00
	81-GX03HSCO-LV	Cal kit, GX-2003/GX-2012, 34AL cyl H2S (25 ppm)/CO/CH4/O2, reg with gauge & knob, gas bag, case & tubing	415.00
72-0274RK	81-GX03VHSCO	Cal kit, GX-2003/GX-2012, 58AL cyl H2S (25 ppm)/CO/CH4/O2, 58L 100% vol. CH4, dem flow reg, case & tubing	645.00
	81-GX03VHSCO-LV	Cal kit, GX-2003/GX-2012, 34AL cyl H2S (25 ppm)/CO/CH4/O2, 58L cyl 100% vol. CH4, reg with gauge & knob, disp valve, gas bag, case & tubing	565.00
	81-GX03VHSCODLV	Cal kit, GX-2003/GX-2012, 34AL cyl H2S (25 ppm)/CO/CH4/O2, 58L cyl 100% vol. CH4, 1 dem flow reg, case & tubing	650.00
	81-GX03VHSCODLV	Cal kit, GX-2003/GX-2012, 34AL cyl H2S (25 ppm)/CO/CH4/O2, 58L cyl 100% vol. CH4, 1 dem flow reg, case & tubing	650.00
72-0275RK	81-GX03VHSCO	Cal kit, GX-2003/GX-2012, 58AL cyl H2S (25 ppm)/CO/CH4/O2, 58L 100% vol. CH4, dem flow reg, case & tubing	645.00
	81-GX03VHSCO-LV	Cal kit, GX-2003/GX-2012, 34AL cyl H2S (25 ppm)/CO/CH4/O2, 58L cyl 100% vol. CH4, reg with gauge & knob, disp valve, gas bag, case & tubing	565.00
	81-GX03VHSCODLV	Cal kit, GX-2003/GX-2012, 34AL cyl H2S (25 ppm)/CO/CH4/O2, 58L cyl 100% vol. CH4, 1 dem flow reg, case & tubing	650.00
72-0280RK	81-GX03VHSCO	Cal kit, GX-2003/GX-2012, 58AL cyl H2S (25 ppm)/CO/CH4/O2, 58L 100% vol. CH4, dem flow reg, case & tubing	645.00
	81-GX03VHSCO-LV	Cal kit, GX-2003/GX-2012, 34AL cyl H2S (25 ppm)/CO/CH4/O2, 58L cyl 100% vol. CH4, reg with gauge & knob, disp valve, gas bag, case & tubing	565.00
	81-GX03VHSCODLV	Cal kit, GX-2003/GX-2012, 34AL cyl H2S (25 ppm)/CO/CH4/O2, 58L cyl 100% vol. CH4, 1 dem flow reg, case & tubing	650.00
72-0281RK	81-GX03VHSCO	Cal kit, GX-2003/GX-2012, 58AL cyl H2S (25 ppm)/CO/CH4/O2, 58L 100% vol. CH4, dem flow reg, case & tubing	645.00
	81-GX03VHSCO-LV	Cal kit, GX-2003/GX-2012, 34AL cyl H2S (25 ppm)/CO/CH4/O2, 58L cyl 100% vol. CH4, reg with gauge & knob, disp valve, gas bag, case & tubing	565.00
	81-GX03VHSCODLV	Cal kit, GX-2003/GX-2012, 34AL cyl H2S (25 ppm)/CO/CH4/O2, 58L cyl 100% vol. CH4, 1 dem flow reg, case & tubing	650.00

# Portable Calibration Kits

Instrument Part #	Cal Kit #	Cal Kit Description	Kit Price
<b>GX-2009</b>			
72-0300RK	81-GX01CO	Cal kit, GX-2001/GX-2009, 103L steel cyl Methane/CO/O2, reg with gauge & knob, cal cap, case & tubing	355.00
	81-GX01CO-LV	Cal kit, GX-2001/GX-2009, 34L cyl Methane/CO/O2, reg with gauge & knob, cal cap, case & tubing	300.00
72-0304RK	81-GX01CO	Cal kit, GX-2001/GX-2009, 103L steel cyl Methane/CO/O2, reg with gauge & knob, cal cap, case & tubing	355.00
	81-GX01CO-LV	Cal kit, GX-2001/GX-2009, 34L cyl Methane/CO/O2, reg with gauge & knob, cal cap, case & tubing	300.00
72-0305RK	81-GX01HSCO	Cal kit, GX-2001/GX-2009, 58AL cyl Methane/H2S/CO/O2, reg with gauge & knob, cal cap, case & tubing	395.00
	81-GX01HSCO-LV	Cal kit, GX-2001/GX-2009, 34AL cyl Methane/H2S/CO/O2, reg with gauge & knob, cal cap, case & tubing	405.00
72-0306RK	81-GX01CO	Cal kit, GX-2001/GX-2009, 103L steel cyl Methane/CO/O2, reg with gauge & knob, cal cap, case & tubing	355.00
	81-GX01CO-LV	Cal kit, GX-2001/GX-2009, 34L cyl Methane/CO/O2, reg with gauge & knob, cal cap, case & tubing	300.00
72-0307RK	81-GX01HCOIB-LV	Cal kit, GX-2001/GX-2009, 34AL cyl Isobutane/H2S/CO/O2, reg with gauge & knob, cal cap, case & tubing	405.00
	81-GX01HSCO	Cal kit, GX-2001/GX-2009, 58AL cyl Methane/H2S/CO/O2, reg with gauge & knob, cal cap, case & tubing	395.00
	81-GX01HSCO-LV	Cal kit, GX-2001/GX-2009, 34AL cyl Methane/H2S/CO/O2, reg with gauge & knob, cal cap, case & tubing	405.00
72-0308RK	81-GX01CO	Cal kit, GX-2001/GX-2009, 103L steel cyl Methane/CO/O2, reg with gauge & knob, cal cap, case & tubing	355.00
	81-GX01CO-LV	Cal kit, GX-2001/GX-2009, 34L cyl Methane/CO/O2, reg with gauge & knob, cal cap, case & tubing	300.00
72-0309RK	81-GX01HSCO	Cal kit, GX-2001/GX-2009, 58AL cyl Methane/H2S/CO/O2, reg with gauge & knob, cal cap, case & tubing	395.00
	81-GX01HSCO-LV	Cal kit, GX-2001/GX-2009, 34AL cyl Methane/H2S/CO/O2, reg with gauge & knob, cal cap, case & tubing	405.00
72-0310RK	81-GX01HCOIB-LV	Cal kit, GX-2001/GX-2009, 34AL cyl Isobutane/H2S/CO/O2, reg with gauge & knob, cal cap, case & tubing	405.00
	81-GX01HSCO	Cal kit, GX-2001/GX-2009, 58AL cyl Methane/H2S/CO/O2, reg with gauge & knob, cal cap, case & tubing	395.00
	81-GX01HSCO-LV	Cal kit, GX-2001/GX-2009, 34AL cyl Methane/H2S/CO/O2, reg with gauge & knob, cal cap, case & tubing	405.00
72-0311RK	81-GX01CO	Cal kit, GX-2001/GX-2009, 103L steel cyl Methane/CO/O2, reg with gauge & knob, cal cap, case & tubing	355.00
	81-GX01CO-LV	Cal kit, GX-2001/GX-2009, 34L cyl Methane/CO/O2, reg with gauge & knob, cal cap, case & tubing	300.00
72-0312RK	81-GX01HCOIB-LV	Cal kit, GX-2001/GX-2009, 34AL cyl Isobutane/H2S/CO/O2, reg with gauge & knob, cal cap, case & tubing	405.00
	81-GX01HSCO-LV	Cal kit, GX-2001/GX-2009, 34AL cyl Methane/H2S/CO/O2, reg with gauge & knob, cal cap, case & tubing	405.00
72-0312RK72-0312RK72-0312RK72-0312RK	81-GX01HSCO	Cal kit, GX-2001/GX-2009, 58AL cyl Methane/H2S/CO/O2, reg with gauge & knob, cal cap, case & tubing	395.00

# Portable Calibration Kits

Instrument Part #	Cal Kit #	Cal Kit Description	Kit Price
<b>GX-2009</b>			
72-0313RK	81-GX01HSCO-LV	Cal kit, GX-2001/GX-2009, 34AL cyl Methane/H2S/CO/O2, reg with gauge & knob, cal cap, case & tubing	405.00
	81-GX01HSCO	Cal kit, GX-2001/GX-2009, 58AL cyl Methane/H2S/CO/O2, reg with gauge & knob, cal cap, case & tubing	395.00
72-0314RK	81-GX01HCOIB-LV	Cal kit, GX-2001/GX-2009, 34AL cyl Isobutane/H2S/CO/O2, reg with gauge & knob, cal cap, case & tubing	405.00
	81-GX01HSCO-LV	Cal kit, GX-2001/GX-2009, 34AL cyl Methane/H2S/CO/O2, reg with gauge & knob, cal cap, case & tubing	405.00
	81-GX01HSCO	Cal kit, GX-2001/GX-2009, 58AL cyl Methane/H2S/CO/O2, reg with gauge & knob, cal cap, case & tubing	395.00
72-0316-MSHA	81-GX09CONO2	Cal kit, GX-2009 MSHA, 58AL cyl Methane/NO2/CO/O2, reg with gauge & knob, cal cap, case & tubing	580.00
	81-GX09CONO2-LV	Cal kit, GX-2009 MSHA, 34AL cyl Methane/NO2/CO/O2, reg with gauge & knob, cal cap, case & tubing	475.00
72-0316-MSHA-A	81-GX09CONO2	Cal kit, GX-2009 MSHA, 58AL cyl Methane/NO2/CO/O2, reg with gauge & knob, cal cap, case & tubing	580.00
	81-GX09CONO2-LV	Cal kit, GX-2009 MSHA, 34AL cyl Methane/NO2/CO/O2, reg with gauge & knob, cal cap, case & tubing	475.00
<b>GX-2012</b>			
72-0290-08	81-GX03CO	Cal kit, GX-2003/GX-2012, 103L steel cyl CO/CH4/O2 in N2, dem flow reg, case & tubing	455.00
	81-GX03CO-DLV	Cal kit, GX-2003/GX-2012, 34L cyl CO/CH4/O2, dem flow reg, case & tubing	435.00
	81-GX03CO-LV	Cal kit, GX-2003/GX-2012, 34L cyl CO/CH4/O2 in N2, dispensing valve, gas bag, case & tubing	210.00
72-0290-09	81-GX03HSCO	Cal kit, GX-2003/GX-2012, 58AL cyl H2S (25 ppm)/CO/CH4/O2, dem flow reg, case & tubing	495.00
	81-GX03HSCO-DLV	Cal kit, GX-2003/GX-2012, 34AL cyl H2S (25 ppm)/CO/CH4/O2, dem flow reg, case & tubing	500.00
	81-GX03HSCO-LV	Cal kit, GX-2003/GX-2012, 34AL cyl H2S (25 ppm)/CO/CH4/O2, reg with gauge & knob, gas bag, case & tubing	415.00
72-0290-10	81-GX03CO	Cal kit, GX-2003/GX-2012, 103L steel cyl CO/CH4/O2 in N2, dem flow reg, case & tubing	455.00
	81-GX03CO-DLV	Cal kit, GX-2003/GX-2012, 34L cyl CO/CH4/O2, dem flow reg, case & tubing	435.00
	81-GX03CO-LV	Cal kit, GX-2003/GX-2012, 34L cyl CO/CH4/O2 in N2, dispensing valve, gas bag, case & tubing	210.00
72-0290-11	81-GX12VCO-DLV	Cal kit, GX-2012, 34L cyl CO/CH4/O2, 34L 50% vol CH4, dem flow reg, case & tubing	490.00
<b>GX-2012</b>			
72-0290-12	81-GX03CO	Cal kit, GX-2003/GX-2012, 103L steel cyl CO/CH4/O2 in N2, dem flow reg, case & tubing	455.00
	81-GX03CO-DLV	Cal kit, GX-2003/GX-2012, 34L cyl CO/CH4/O2, dem flow reg, case & tubing	435.00
	81-GX03CO-LV	Cal kit, GX-2003/GX-2012, 34L cyl CO/CH4/O2 in N2, dispensing valve, gas bag, case & tubing	210.00
72-0290-16	81-GX03HSCO	Cal kit, GX-2003/GX-2012, 58AL cyl H2S (25 ppm)/CO/CH4/O2, dem flow reg, case & tubing	495.00
	81-GX03HSCO-DLV	Cal kit, GX-2003/GX-2012, 34AL cyl H2S (25 ppm)/CO/CH4/O2, dem flow reg, case & tubing	500.00
	81-GX03HSCO-LV	Cal kit, GX-2003/GX-2012, 34AL cyl H2S (25 ppm)/CO/CH4/O2, reg with gauge & knob, gas bag, case & tubing	415.00

# Portable Calibration Kits

Instrument Part #	Cal Kit #	Cal Kit Description	Kit Price
<b>GX-2012</b>			
72-0290-17	81-GX03CO	Cal kit, GX-2003/GX-2012, 103L steel cyl CO/CH4/O2 in N2, dem flow reg, case & tubing	455.00
	81-GX03CO-DLV	Cal kit, GX-2003/GX-2012, 34L cyl CO/CH4/O2, dem flow reg, case & tubing	435.00
	81-GX03CO-LV	Cal kit, GX-2003/GX-2012, 34L cyl CO/CH4/O2 in N2, dispensing valve, gas bag, case & tubing	210.00
72-0290-18	81-GX12VCO-DLV	Cal kit, GX-2012, 34L cyl CO/CH4/O2, 34L 50% vol CH4, dem flow reg, case & tubing	490.00
72-0290-19	81-GX12VCO-DLV	Cal kit, GX-2012, 34L cyl CO/CH4/O2, 34L 50% vol CH4, dem flow reg, case & tubing	490.00
72-0290-22	81-GX03HSCO	Cal kit, GX-2003/GX-2012, 58AL cyl H2S (25 ppm)/CO/CH4/O2, dem flow reg, case & tubing	495.00
	81-GX03HSCO-DLV	Cal kit, GX-2003/GX-2012, 34AL cyl H2S (25 ppm)/CO/CH4/O2, dem flow reg, case & tubing	500.00
	81-GX03HSCO-LV	Cal kit, GX-2003/GX-2012, 34AL cyl H2S (25 ppm)/CO/CH4/O2, reg with gauge & knob, gas bag, case & tubing	415.00
72-0290-23	81-GX12VCO-DLV	Cal kit, GX-2012, 34L cyl CO/CH4/O2, 34L 50% vol CH4, dem flow reg, case & tubing	490.00
72-0290-24	81-GX03VHSCO	Cal kit, GX-2003/GX-2012, 58AL cyl H2S (25 ppm)/CO/CH4/O2, 58L 100% vol. CH4, dem flow reg, case & tubing	645.00
	81-GX03VHSCO-LV	Cal kit, GX-2003/GX-2012, 34AL cyl H2S (25 ppm)/CO/CH4/O2, 58L cyl 100% vol. CH4, reg with gauge & knob, disp valve, gas bag, case & tubing	565.00
	81-GX03VHSCODLV	Cal kit, GX-2003/GX-2012, 34AL cyl H2S (25 ppm)/CO/CH4/O2, 58L cyl 100% vol. CH4, 1 dem flow reg, case & tubing	650.00
72-0290-27	81-GX03VHSCO	Cal kit, GX-2003/GX-2012, 58AL cyl H2S (25 ppm)/CO/CH4/O2, 58L 100% vol. CH4, dem flow reg, case & tubing	645.00
	81-GX03VHSCO-LV	Cal kit, GX-2003/GX-2012, 34AL cyl H2S (25 ppm)/CO/CH4/O2, 58L cyl 100% vol. CH4, reg with gauge & knob, disp valve, gas bag, case & tubing	565.00
	81-GX03VHSCODLV	Cal kit, GX-2003/GX-2012, 34AL cyl H2S (25 ppm)/CO/CH4/O2, 58L cyl 100% vol. CH4, 1 dem flow reg, case & tubing	650.00
<b>GX-3R</b>			
72-RA-C	81-GX3RHSCO	Cal kit, GX-3R or GX-3R Pro, 58AL cyl H2S 25 ppm / CO 50 ppm / CH4 50% LEL / O2 12% in N2, regulator 0.25 LPM, case & tubing	380.00
	81-GX3RHSCO-06		145.00
	81-GX3RHSCO-116	Cal kit, GX-3R or GX-3R Pro, 116AL cyl H2S 25 ppm / CO 50 ppm / CH4 50% LEL / O2 12% in N2, regulator 0.25 LPM, case & tubing	510.00
	81-GX3RHSCO-LV	Cal kit, GX-3R or GX-3R Pro, 34AL cyl H2S 25 ppm / CO 50 ppm / CH4 50% LEL / O2 12% in N2, regulator 0.25 LPM, case & tubing	385.00
	81-GX3RHSCOP-LV		405.00
72-RC-C	81-GX3RCO	Cal kit, GX-3R or GX-3R Pro, 103L steel cyl CO 50 ppm / CH4 50% LEL / O2 12% in N2, regulator 0.25 LPM, case & tubing	340.00
	81-GX3RCO-LV	Cal kit, GX-3R or GX-3R Pro, 34L cyl CO 50 ppm / CH4 50% LEL / O2 12% in N2, regulator 0.25 LPM, case & tubing	280.00
72-RG-C	81-GX3RCO	Cal kit, GX-3R or GX-3R Pro, 103L steel cyl CO 50 ppm / CH4 50% LEL / O2 12% in N2, regulator 0.25 LPM, case & tubing	340.00
	81-GX3RCO-LV	Cal kit, GX-3R or GX-3R Pro, 34L cyl CO 50 ppm / CH4 50% LEL / O2 12% in N2, regulator 0.25 LPM, case & tubing	280.00
	81-GX3RO2H2-LV	Cal kit, GX-3R or GX-3R Pro, 34L steel cyl H2 50% LEL in air, 34L steel cyl N2 100%, regulator with .25 LPM, case & tubing	335.00

# Portable Calibration Kits

Instrument Part #	Cal Kit #	Cal Kit Description	Kit Price
<b>GX-3R</b>			
72-RI-C	81-GX3RCO	Cal kit, GX-3R or GX-3R Pro, 103L steel cyl CO 50 ppm / CH4 50% LEL / O2 12% in N2, regulator 0.25 LPM, case & tubing	340.00
	81-GX3RCO-LV	Cal kit, GX-3R or GX-3R Pro, 34L cyl CO 50 ppm / CH4 50% LEL / O2 12% in N2, regulator 0.25 LPM, case & tubing	280.00
<b>GX-3R Pro</b>			
72-PAA-C	81-PAA	Cal kit, GX-3R Pro, 58AL cyl H2S 25 ppm / CO 50 ppm / CH4 50% LEL / O2 12% in N2, 103L steel cyl 5,000 ppm CO2 in N2, regulator 0.25 LPM, case & tubing	530.00
72-PAB-C	81-PAB	Cal kit, GX-3R Pro, 58AL cyl H2S 25 ppm / CO 50 ppm / CH4 50% LEL / O2 12% in N2, 103L steel cyl 2.5% vol CO2 in N2, regulator 0.25 LPM, case & tubing	530.00
	81-PAB-LV	Cal kit, GX-3R Pro, 34AL cyl H2S 25 ppm / CO 50 ppm / CH4 50% LEL / O2 12% in N2, 34L cyl 2.5% vol CO2 in N2, two regulators 0.25 LPM, case & tubing	490.00
72-PAC-C	81-PAC	Cal kit, GX-3R Pro, 58AL cyl SO2 5 ppm / H2S 25 ppm / CO 50 ppm / CH4 50% LEL / O2 12% in N2, regulator 0.25 LPM, case & tubing	470.00
	81-PAC-LV	Cal kit, GX-3R Pro, 34AL cyl SO2 5 ppm / H2S 25 ppm / CO 50 ppm / CH4 50% LEL / O2 12% in N2, regulator 0.25 LPM, case & tubing	425.00
72-PAE-A	81-PAE-LV	Cal kit, GX-3R Pro, 34AL cyl H2S 25 ppm / CO 50 ppm / CH4 50% LEL / O2 12% in N2, 34AL cyl 10 ppm HCN in N2, regulator 0.25 LPM, case & tubing	620.00
72-PAE-C	81-PAE-LV	Cal kit, GX-3R Pro, 34AL cyl H2S 25 ppm / CO 50 ppm / CH4 50% LEL / O2 12% in N2, 34AL cyl 10 ppm HCN in N2, regulator 0.25 LPM, case & tubing	620.00
72-PAX-A	81-PAX-IBLV	Cal kit, GX-3R Pro, 34AL cyl H2S 25 ppm/CO 50 ppm/isobutane 50% LEL/O2 12% in N2, regulator with .25 LPM, case & tubing	385.00
72-PAX-C	81-GX3RHSCO	Cal kit, GX-3R or GX-3R Pro, 58AL cyl H2S 25 ppm / CO 50 ppm / CH4 50% LEL / O2 12% in N2, regulator 0.25 LPM, case & tubing	380.00
	81-GX3RHSCO-116	Cal kit, GX-3R or GX-3R Pro, 116AL cyl H2S 25 ppm / CO 50 ppm / CH4 50% LEL / O2 12% in N2, regulator 0.25 LPM, case & tubing	510.00
	81-GX3RHSCO-LV	Cal kit, GX-3R or GX-3R Pro, 34AL cyl H2S 25 ppm / CO 50 ppm / CH4 50% LEL / O2 12% in N2, regulator 0.25 LPM, case & tubing	385.00
	81-GX3RHSCOP-LV	Cal kit, GX-3R or GX-3R Pro, 34AL cyl H2S 25 ppm / CO 50 ppm / Propane 50% LEL / O2 12% in N2, regulator 0.25 LPM, case & tubing	405.00
	81-PAX-IBLV	Cal kit, GX-3R Pro, 34AL cyl H2S 25 ppm/CO 50 ppm/isobutane 50% LEL/O2 12% in N2, regulator with .25 LPM, case & tubing	385.00
72-PCX-C	81-PCX-LV	Cal kit, GX-3R Pro, 34AL cyl H2S 25 ppm / CO 50 ppm / CH4 50% LEL / O2 12% in N2, 103L cyl H2 2000 ppm in air, regulator 0.25 LPM, case & tubing	500.00
72-PED-C	81-PED-LV	Cal kit, GX-3R Pro, 34AL cyl NO2 10 ppm/CO 50 ppm/O2 12% in N2 (7 month shelf life), regulator with .25 LPM, case & tubing	445.00
72-PEG-A	81-PEG-LV	Cal kit, GX-3R Pro, 34L cyl 50% LEL CH4/CO 50 ppm/O2 12% in N2, 34AL 25 ppm NH3 in N2, regulator with .25 LPM, case & tubing	560.00
72-PEG-B			
72-PEG-C			
72-PEG-D			
72-PEG-E			
72-PEG-F			
72-PIX-C	81-GX3RO2H2-LV	Cal kit, GX-3R or GX-3R Pro, 34L steel cyl H2 50% LEL in air, 34L steel cyl N2 100%, regulator with .25 LPM, case & tubing	335.00
72-PPA-C	81-PPA	Cal kit, GX-3R Pro, 103L steel cyl 5,000 ppm CO2 in N2, regulator 0.25 LPM, case & tubing	340.00
	81-PPA-LV	Cal kit, GX-3R Pro, 34L cyl 5,000 ppm CO2 in N2, regulator 0.25 LPM, case & tubing	280.00
72-PXB-C	81-PXB	Cal kit, GX-3R Pro, 103L steel cyl 10% CO2 in N2, regulator 0.25 LPM, case & tubing	340.00



# Portable Calibration Kits

Instrument Part #	Cal Kit #	Cal Kit Description	Kit Price
<b>GX-6000</b>			
72-6AAX	81-6AAX-DLV	Cal Kit, GX-6000, 34AL cyl 10 ppm isobutylene in air, 34AL cyl H2S/CO/CH4/O2, dem flow reg, case & tubing	690.00
72-6ABI	81-6ABI-DLV	Cal Kit, GX-6000, 34AL cyl 100 ppm Isobutylene/H2S/CO/CH4 LEL/O2, 34AL cyl 5 ppm SO2 in N2, dem flow reg, case, tubing	750.00
72-6ABK	81-6ABK-DLV	Cal Kit, GX-6000, 34AL cyl 100 ppm Isobutylene/H2S/CO/CH4/O2, 34AL cyl 10 ppm NO2 in N2, dem flow reg, case, tubing	870.00
72-6ABL	81-6ABL-DLV	Cal Kit, GX-6000, 34AL cyl 100 ppm Isobutylene/H2S/CO/CH4/O2, 34AL cyl 10 ppm HCN in N2, dem flow reg, case, tubing	830.00
72-6ABX	81-6ABX	Cal Kit, GX-6000, 58AL cyl 100 ppm Isobutylene/H2S/CO/CH4/O2, dem flow reg, case, tubing	685.00
	81-6ABX-DLV	Cal Kit, GX-6000, 34AL cyl 100 ppm Isobutylene/H2S/CO/CH4/O2, dem flow reg, case, tubing	610.00
72-6AIM-X	81-6AIM-DLV	Cal kit, GX-6000, 34AL cyl SO2 5 ppm/H2S 25 ppm/CO 50 ppm/O2 12% in N2, 34AL cyl NH3 25 ppm in N2, demand flow regulator, case & tubing	860.00
72-6API	81-5621RK-DLV	Cal kit, EAGLE/GX-6000, 34AL cyl SO2 5 ppm/H2S 25 ppm/CO 50 ppm/CH4 50% LEL/O2 12% in N2, 34AL cyl 2 ppm Cl2 in N2, two demand flow regulators, screwdriver, case & tubing	1,100.00
72-6APX-C	81-6APX	Cal kit, GX-6000, 58AL cyl 5 ppm Cl2 in N2, 58AL cyl CH4/O2/H2S/CO, dem flow reg, case and tubing	1,165.00
72-6AXX	81-6AXX	Cal kit, GX-6000, 58AL cyl CH4/O2/H2S/CO, dem flow reg, case and tubing	535.00
	81-6AXX-DLV	Cal kit, GX-6000, 34AL cyl CH4/O2/H2S/CO, dem flow reg, case and tubing	540.00
72-6XAX	81-6XAX-DLV	Cal Kit, GX-6000, 34AL cyl 10 ppm isobutylene in air, dem flow reg, case & tubing	530.00
72-6XBX	81-6XBX-DLV	Cal Kit, GX-6000, 34AL cyl 100 ppm isobutylene in air, dem flow reg, case & tubing	530.00
72-6XZX	81-6XZX	Cal Kit, GX-6000, 103L steel cyl 5 ppm benzene in air, dem flow reg, case & tubing	495.00
	81-6XZX-DLV	Cal Kit, GX-6000, 34AL cyl 5 ppm benzene in air, dem flow reg, case & tubing	510.00
<b>GX-8000</b>			
72-0322RKC	81-5201RKIB-DLV	Cal kit, EAGLE, 34L cyl isobutane/air, 34L 100% N2, dem reg, case & tubing	500.00
72-0323RKC	81-5354RKIB-DLV	Cal kit, EAGLE, 34AL cyl 25 ppm H2S/CO/50% LEL isobutane/O2/N2, dem flow reg, screwdriver, case & tubing	550.00
72-0324RKC	81-5354RKIB-DLV	Cal kit, EAGLE, 34AL cyl 25 ppm H2S/CO/50% LEL isobutane/O2/N2, dem flow reg, screwdriver, case & tubing	550.00
72-0325RKC	81-GX12VCO-DLV	Cal kit, GX-2012, 34L cyl CO/CH4/O2, 34L 50% vol CH4, dem flow reg, case & tubing	490.00
72-0326RKC	81-5354RKIB-DLV	Cal kit, EAGLE, 34AL cyl 25 ppm H2S/CO/50% LEL isobutane/O2/N2, dem flow reg, screwdriver, case & tubing	550.00
<b>P-200 Series</b>			
72-0001RK	81-GP204	Cal kit, GP-204, 34L cyl CH4/Air, reg with gauge & knob, screwdriver, case & tubing	290.00
	81-GP204-ISO	Cal kit, GP-204, 34L cyl 50% LEL isobutane/Air, reg with gauge & knob, screwdriver, case & tubing	290.00
72-0004RK	81-NP204	Cal kit, NP-204, 34L cyl 50% LEL CH4/Air, 34L cyl 50% vol CH4/N2, reg with gauge & knob, screwdriver, case & tubing	345.00

## Portable Calibration Kits

Instrument Part #	Cal Kit #	Cal Kit Description	Kit Price
<b>RI-413   RI-85   RX-415   RX-515   RX-516   RX-517</b>			
73-0569RK	81-RI413R12	Cal kit, RI-413, 17L cyl 2,000 ppm R-12/Air, disp valve, gas bag, screwdriver, case & tubing	265.00
	81-RI413R134	Cal kit, RI-413, 34L cyl 2,000 ppm R-134A/Air, disp valve, gas bag, screwdriver, case & tubing	315.00
73-0569RK-03	81-RI413R134	Cal kit, RI-413, 34L cyl 2,000 ppm R-134A/Air, disp valve, gas bag, screwdriver, case & tubing	315.00
73-0570RK	81-RI85	Cal kit, RI-85, 34L cyl 5, 000 ppm CO2/N2, 34L cyl 100% N2, disp valve, gas bag, case & tubing	265.00
	81-RI85NG-LV	Cal kit, RI-85, no gas, fits two 34AL cylinders, dispensing valve, gas bag, case & tubing	155.00
73-0570RK-05	81-RI85-05	Cal kit, RI-85, 34L cyl 2.5% CO2/N2, 34L cyl 100% N2, disp valve, gas bag, case & tubing	265.00
73-0580RK	81-RI415CH4	Cal kit, RI-415/RX-8000, 34L cyl 50% LEL CH4/Air, 34L cyl 50% vol CH4/Air, disp valve, gas bag, two gas bags, case & tubing	330.00
73-0581RK	81-RI415HC	Cal kit, RI-415/RX-8000, 34L cyl 50% LEL isobutane/Air, 17L cyl 10% vol isobutane/N2, disp valve, two gas bags, case & tubing	320.00
73-0582RK	81-RI415CH4	Cal kit, RI-415/RX-8000, 34L cyl 50% LEL CH4/Air, 34L cyl 50% vol CH4/Air, disp valve, gas bag, two gas bags, case & tubing	330.00
73-0583RK	81-RI415HC	Cal kit, RI-415/RX-8000, 34L cyl 50% LEL isobutane/Air, 17L cyl 10% vol isobutane/N2, disp valve, two gas bags, case & tubing	320.00
73-0590RK	81-RX415HC	Cal kit, RX-415/RX-8000, 34L cyl 50% LEL isobutane/Air, 17L cyl 10% vol isobutane/Air, 34L cyl 100% N2, disp valve, three gas bags, case & tubing	400.00
	81-RX415HCD	Cal kit, RX-415/RX-8000, 34L cyl 50% LEL isobutane/Air, 34L cyl 10% vol isobutane/Air, 34L cyl 100% N2, dem flow reg, case & tubing	535.00
73-0591RK	81-RX415CH4	Cal kit, RX-415/RX-8000, 34L cyl 50% LEL CH4/Air, 34L cyl 50% vol CH4/Air, 34L cyl 100% N2, disp valve, 3 gas bags, case & tubing	410.00
73-0610RK	81-RX515	Cal kit, RX-515, 34AL cyl 50% vol CH4 in N2, 103L steel cyl 15% CO2 in N2, 103L steel cyl CO/CH4/O2, dem flow reg, case & tubing	815.00
	81-RX515-LV	Cal kit, RX-515, 34L cyl 10% vol CH4 in N2, 34L cyl 50% LEL CH4 in Air, 34L cyl 100 ppm CO in N2, 34L cyl 15% CO2 in N2, dispensing valve, three gas bags, case & tubing	620.00
73-0611RK	81-RX516-LV	Cal kit, RX-516, 17L cyl 10% vol isobutane in N2, 34AL cyl 50 ppm H2S/50% LEL isobutane in N2, reg with gauge & knob, disp valve, two gas bags, case & tubing	540.00
	81-RX517-LV	Cal kit, RX-517, 34L cyl 50 ppm H2S/50% LEL isobutane in N2, 17L cyl 10% vol isobutane/N2, disp valve, 6 LPM regulator, two gas bags, case & tubing	540.00
73-0612RK	81-RX517-DLV	Cal kit, RX-517, 34L cyl 50 ppm H2S/50% LEL isobutane in N2, 17L cyl 10% vol isobutane/N2, two demand flow regs, case & tubing	855.00
	81-RX517-LV	Cal kit, RX-517, 34L cyl 50 ppm H2S/50% LEL isobutane in N2, 17L cyl 10% vol isobutane/N2, disp valve, 6 LPM regulator, two gas bags, case & tubing	540.00
	81-RX517RK	Cal kit, RX-517, 58AL cyl 50 ppm H2S/50% LEL isobutane in N2, 17L cyl 10% vol isobutane in N2, two demand flow regulators, case & tubing	890.00
	81-RX517RKNG	Cal kit, RX-517, two dem flow regs, screwdriver, case for 58AL / 103L steel cylinders & tubing (No Gas)	625.00
73-0615	81-RX415CH4	Cal kit, RX-415/RX-8000, 34L cyl 50% LEL CH4/Air, 34L cyl 50% vol CH4/Air, 34L cyl 100% N2, disp valve, 3 gas bags, case & tubing	410.00
73-0616	81-RX415HCD	Cal kit, RX-415/RX-8000, 34L cyl 50% LEL isobutane/Air, 34L cyl 10% vol isobutane/Air, 34L cyl 100% N2, dem flow reg, case & tubing	535.00
73-0617	81-RI415CH4	Cal kit, RI-415/RX-8000, 34L cyl 50% LEL CH4/Air, 34L cyl 50% vol CH4/Air, disp valve, gas bag, two gas bags, case & tubing	330.00

# Portable Calibration Kits

Instrument Part #	Cal Kit #	Cal Kit Description	Kit Price
<b>RI-413   RI-85   RX-415   RX-515   RX-516   RX-517</b>			
73-0618	81-RI415HC	Cal kit, RI-415/RX-8000, 34L cyl 50% LEL isobutane/Air, 17L cyl 10% vol isobutane/N2, disp valve, two gas bags, case & tubing	320.00
<b>SC-01</b>			
73-0050RK-ASH3	81-SC01ASH3	Cal kit, SC-01, 58AL cyl 0.5 ppm PH3/N2, reg with gauge & knob, cal cup, case & tubing	600.00
	81-SC01ASH3-LV	Cal kit, SC-01, 34AL cyl 0.5 ppm PH3/N2, reg with gauge & knob, cal cup, case & tubing	600.00
73-0050RK-CL2	81-SC01CL2	Cal kit, SC-01, 58AL cyl 2 ppm Cl2/N2, reg with gauge & knob, cal cup, case & tubing	640.00
	81-SC01CL2-LV	Cal kit, SC-01, 34AL cyl 2 ppm Cl2/N2, reg with gauge & knob, cal cup, case & tubing	560.00
73-0050RK-CO	81-SC01CO	Cal kit, SC-01, 103L steel cyl 50 ppm CO/N2, reg with gauge & knob, cal cup, case & tubing	435.00
	81-SC01CO-LV	Cal kit, SC-01, 34L cyl 50 ppm CO/N2, reg with gauge & knob, cal cup, case & tubing	345.00
73-0050RK-H2S	81-SC01H2S	Cal kit, SC-01, 58AL cyl 25 ppm H2S/N2, reg with gauge & knob, cal cup, case & tubing	440.00
	81-SC01H2S-LV	Cal kit, SC-01, 34AL cyl 25 ppm H2S/N2, reg with gauge & knob, cal cup, case & tubing	455.00
73-0050RK-HCN	81-SC01HCN	Cal kit, SC-01, 58AL cyl 10 ppm HCN/N2, reg with gauge & knob, cal cup, case & tubing	560.00
	81-SC01HCN-LV	Cal kit, SC-01, 34AL cyl 10 ppm HCN/N2, reg with gauge & knob, cal cup, case & tubing	560.00
73-0050RK-NH3	81-SC01NH3	Cal kit, SC-01, 58AL cyl 25 ppm NH3/N2, reg with gauge & knob, cal cup, case & tubing	600.00
	81-SC01NH3-LV	Cal kit, SC-01, 34AL cyl 25 ppm NH3/N2, reg with gauge & knob, cal cup, case & tubing	620.00
73-0050RK-PH3	81-SC01PH3-LV	Cal kit, SC-01, 34AL cyl 0.5 ppm PH3/N2, reg with gauge & knob, cal cup, case & tubing	600.00
73-0050RK-SO2	81-SC01SO2	Cal kit, SC-01, 58AL cyl 5 ppm SO2/N2, reg with gauge & knob, cal cup, case & tubing	460.00
	81-SC01SO2-LV	Cal kit, SC-01, 34AL cyl 5 ppm SO2/N2, reg with gauge & knob, cal cup, case & tubing	465.00
73-0052-ASH3	81-5107RKS-LV	Cal kit, EAGLE, 34AL cyl PH3/N2, 34L cyl N2 100%, reg, gas bag, screwdriver, case & tubing	715.00
73-0052-CL2	81-5106RK-DLV	Cal kit, EAGLE, 34AL cyl 2 ppm Chlorine/N2, dem reg, screwdriver, case & tubing	620.00
73-0052-CO	81-5104RK-LV	Cal kit, EAGLE, 34L cyl 50 ppm Carbon Monoxide/Air, disp valve, gas bag, case & tubing	210.00
73-0052-F2	81-5106RK-DLV	Cal kit, EAGLE, 34AL cyl 2 ppm Chlorine/N2, dem reg, screwdriver, case & tubing	620.00
73-0052-H2O2	81-SC8000-H2O2		640.00
73-0052-HBR	81-5106RK-DLV	Cal kit, EAGLE, 34AL cyl 2 ppm Chlorine/N2, dem reg, screwdriver, case & tubing	620.00
73-0052-HCL	81-5110RK	Cal kit, EAGLE, 58AL cyl 5 ppm Hydrogen Chloride/N2, reg, gas bag, screwdriver, case & tubing	575.00
73-0052-HCN	81-5123RK-DLV	Cal kit, EAGLE, 34AL cyl 10 ppm Hydrogen Cyanide/N2, dem reg, screwdriver, case & tubing	620.00
73-0052-HF	81-5106RK-DLV	Cal kit, EAGLE, 34AL cyl 2 ppm Chlorine/N2, dem reg, screwdriver, case & tubing	620.00

## Portable Calibration Kits

Instrument Part #	Cal Kit #	Cal Kit Description	Kit Price
<b>SC-01</b>			
73-0052-NH3	81-5111RK-DLV	Cal kit, EAGLE, 34AL cyl 10 ppm Ammonia/N2, dem reg, screwdriver, case & tubing	680.00
73-0052-NO2	81-5114RK-LV	Cal kit, EAGLE, 34AL cyl 10 ppm Nitrogen Dioxide/Air, reg with gauge & knob, screwdriver, case & tubing	535.00
73-0052-PH3	81-5108RK-DLV	Cal kit, EAGLE, 34AL cyl 0.5 ppm Phosphine/N2, dem reg, screwdriver, case & tubing	655.00
73-0052-SO2	81-5105RK-LV	Cal kit, EAGLE, 34AL cyl 5 ppm SO2/N2, reg, gas bag, screwdriver, case & tubing	400.00
<b>SC-8000</b>			
73-0052-ASH3	81-5107RKS-LV	Cal kit, EAGLE, 34AL cyl PH3/N2, 34L cyl N2 100%, reg, gas bag, screwdriver, case & tubing	715.00
73-0052-CL2	81-5106RK-DLV	Cal kit, EAGLE, 34AL cyl 2 ppm Chlorine/N2, dem reg, screwdriver, case & tubing	620.00
73-0052-CO	81-5104RK-LV	Cal kit, EAGLE, 34L cyl 50 ppm Carbon Monoxide/Air, disp valve, gas bag, case & tubing	210.00
73-0052-F2	81-5106RK-DLV	Cal kit, EAGLE, 34AL cyl 2 ppm Chlorine/N2, dem reg, screwdriver, case & tubing	620.00
73-0052-H2O2	81-SC8000-H2O2		640.00
73-0052-HBR	81-5106RK-DLV	Cal kit, EAGLE, 34AL cyl 2 ppm Chlorine/N2, dem reg, screwdriver, case & tubing	620.00
73-0052-HCL	81-5110RK	Cal kit, EAGLE, 58AL cyl 5 ppm Hydrogen Chloride/N2, reg, gas bag, screwdriver, case & tubing	575.00
73-0052-HCN	81-5123RK-DLV	Cal kit, EAGLE, 34AL cyl 10 ppm Hydrogen Cyanide/N2, dem reg, screwdriver, case & tubing	620.00
73-0052-HF	81-5106RK-DLV	Cal kit, EAGLE, 34AL cyl 2 ppm Chlorine/N2, dem reg, screwdriver, case & tubing	620.00
73-0052-NH3	81-5111RK-DLV	Cal kit, EAGLE, 34AL cyl 10 ppm Ammonia/N2, dem reg, screwdriver, case & tubing	680.00
73-0052-NO2	81-5114RK-LV	Cal kit, EAGLE, 34AL cyl 10 ppm Nitrogen Dioxide/Air, reg with gauge & knob, screwdriver, case & tubing	535.00
73-0052-PH3	81-5108RK-DLV	Cal kit, EAGLE, 34AL cyl 0.5 ppm Phosphine/N2, dem reg, screwdriver, case & tubing	655.00
73-0052-SO2	81-5105RK-LV	Cal kit, EAGLE, 34AL cyl 5 ppm SO2/N2, reg, gas bag, screwdriver, case & tubing	400.00
73-00523-CO	81-5104RK-LV	Cal kit, EAGLE, 34L cyl 50 ppm Carbon Monoxide/Air, disp valve, gas bag, case & tubing	210.00
73-0053-ASH3	81-5107RKS-LV	Cal kit, EAGLE, 34AL cyl PH3/N2, 34L cyl N2 100%, reg, gas bag, screwdriver, case & tubing	715.00
73-0053-CL2	81-5106RK-DLV	Cal kit, EAGLE, 34AL cyl 2 ppm Chlorine/N2, dem reg, screwdriver, case & tubing	620.00
73-0053-F2	81-5106RK-DLV	Cal kit, EAGLE, 34AL cyl 2 ppm Chlorine/N2, dem reg, screwdriver, case & tubing	620.00
73-0053-HBR	81-5106RK-DLV	Cal kit, EAGLE, 34AL cyl 2 ppm Chlorine/N2, dem reg, screwdriver, case & tubing	620.00
73-0053-HCL	81-5110RK	Cal kit, EAGLE, 58AL cyl 5 ppm Hydrogen Chloride/N2, reg, gas bag, screwdriver, case & tubing	575.00
73-0053-HCN	81-5123RK-DLV	Cal kit, EAGLE, 34AL cyl 10 ppm Hydrogen Cyanide/N2, dem reg, screwdriver, case & tubing	620.00
73-0053-HF	81-5106RK-DLV	Cal kit, EAGLE, 34AL cyl 2 ppm Chlorine/N2, dem reg, screwdriver, case & tubing	620.00

## Portable Calibration Kits

Instrument Part #	Cal Kit #	Cal Kit Description	Kit Price
<b>SC-8000</b>			
73-0053-NH3	81-5111RK-DLV	Cal kit, EAGLE, 34AL cyl 10 ppm Ammonia/N2, dem reg, screwdriver, case & tubing	680.00
73-0053-NO2	81-5114RK-LV	Cal kit, EAGLE, 34AL cyl 10 ppm Nitrogen Dioxide/Air, reg with gauge & knob, screwdriver, case & tubing	535.00
73-0053-PH3	81-5108RK-DLV	Cal kit, EAGLE, 34AL cyl 0.5 ppm Phosphine/N2, dem reg, screwdriver, case & tubing	655.00
73-0053-SO2	81-5105RK-LV	Cal kit, EAGLE, 34AL cyl 5 ppm SO2/N2, reg, gas bag, screwdriver, case & tubing	400.00

# Technical Services

## Field Service Rates

RKI Instruments offers the following rates for servicing our equipment at the customer's site. Field service rates apply to start-up, calibration, troubleshooting, and training. RKI Instruments offers service agreements that provide substantial savings for routine maintenance and calibration.



Please contact RKI Instruments for further details and pricing.

### Regular Hourly Rate (90-F-HOUR)

\$135.00 per person per hour, two hour minimum. These rates apply Monday through Friday (except holidays), 8:00 am to 5:00 pm, scheduled 24 hours in advance. Overtime rate is \$175.00 per hour.

### Daily Rate (90-F-DAY)

\$850.00 per person per day for up to eight hours. These rates apply Monday through Friday (except holidays) 8:00 am to 5:00 pm, scheduled 24 hours in advance. Overtime rate is \$175.00 per hour.

### Weekend, Evening, & Emergency

\$1,200.00 per person per day for eight hours (or \$175.00 per hour; two hour minimum billing). Overtime rate is \$175.00 per hour. These rates apply to service that must be started with less than 24 hour advance scheduling and for work performed on holidays. Consult RKI Instruments before scheduling.

### Other Charges

Parts and materials used in field service are charged according to current RKI list price. Travel time within 100 miles of RKI Instruments is billed from portal to portal at our standard field hourly rate. Travel greater than 100 miles from RKI is billed at our standard field hourly rate plus mileage at \$ 0.55 per mile. Other travel expenses, including airfare, ground transportation, meals and lodging will be billed as actual when applicable.

### Please Note

All field service work should be scheduled with as much advance notice as possible.

## Online Service Order Form

All items returned for service must be accompanied by a completed Service Order Form. To expedite the service process, online service order forms can be filled and directly submitted to RKI's service center. Simply type the following address into any web browser.

<http://www.rkiinstruments.com/pages/repairform.htm>

A copy of the form also follows this section. Please follow the instructions on the form. **Incomplete or missing forms may cause delays in the service process.**

## Factory Repair Charges

### Description

Minimum billing for any service .....	85.00
91-R-LABOR Hourly factory service labor rate .....	85.00
91-R3-XFEE Expedite Fee - 3 day turn around (additional charge, contact RKI Service for authorization). <b>Instrument conversions are not available for expedited service)</b> .....	85.00

Instruments returned unrepaired will incur an estimate fee of \$85.00 per instrument plus shipping. If unit is repaired, this estimate amount will be applied to the total repair charge.

## Factory Training Charges (On-site)

On-site training at your facility or at RKI Instruments can be provided at our daily rate of \$850.00 per day. All travel and living expenses will be billed as actual for all training provided at customer's facilities. Training binders will be provided at \$75.00 each.

## Fixed Systems Turnkey Services

RKI provides a complete package of fixed systems gas detection — wired and wire-free.

Offering site assessments, design, construction, start-up, installation, system maintenance, and comprehensive training. RKI is a turnkey provider of innovative fixed monitoring systems. Call for estimates.

# Technical Services

## Calibration and EAGLE Upgrade Services

Many instruments are sent to us for just a general checkup and calibration. If no additional repair work, extra parts or sensors are required to perform this service, then RKI's calibration services can apply. In this case, if you send a "not to exceed" purchase order to RKI along with the instrument, your repair time will be expedited. Using standard calibration and Eagle upgrade services eliminates the need for the service department to obtain an approval, which gets your service order back to you much faster.

Please remember to always complete an RKI Service Order Form with every repair, even for standard calibration services. This form can be found on RKI's web site, or one can be faxed or emailed to you.

### STEPS FOR CALIBRATION AND UPGRADE ORDERS:

1. Select the appropriate calibration services for your instrument model from the *Services For Portable Instruments* or *Eagle Upgrades* sections.
2. Complete an RKI Repair Form specifying your service, a "not to exceed" figure, and a purchase order number.
3. Return instrument to RKI with the completed Service Order Form.
4. RKI will complete the service indicated and promptly return it to you, as long as no other parts or repair work are required.

If additional parts or service work are required that exceeds your "not to exceed" amount, then RKI will create an estimate for your approval. You may then either give authorization to RKI to add the additional charges to the original PO, or supply a new PO to cover the new total costs. If you know that certain parts or sensors will be required prior to sending the instrument to us, you can also expedite the service by including the cost of those sensors or parts on the original purchase order sent to us with the instrument.

## Services For Portable Instruments

Select the appropriate service for your instrument model from the list below. Complete an RKI Service Order Form indicating service required, a "not to exceed" figure, and a purchase order number. Return instrument to RKI with the completed Service Order Form. Prices include inspection, testing, cleaning and calibration. These prices assume that no additional sensor replacement, parts or labor is required. If an instrument is extremely dirty, requires replacement parts, sensors or additional labor, an estimate will be provided documenting additional work required.

### Calibration certificate is included with every instrument repair.

<b>Part#</b>	<b>Description</b>	<b>Suggested Retail</b>
91-C-LVL1	Level 1 service - inspect, service, and calibration of the following instruments: 04 Series, 03 Series, GasWatch 3, GasWatch 2, GP-01, OX-01, HS-01, CO-01, GP-204, NP-204, & SC-01 .....	95.00
91-C-LVL2	Level 2 service - inspect, service, and calibration of the following instruments: GX-3R, GX-3R Pro, GX-2009, GX-2012, GX-6000 (4 gas, PID only, or toxic only), Gas Tracer, GX-2001, GX-2003, GX-94, GX-82A, GX-86A, RI-413A, SP-205ASC, GX-85N, NP-85, GP-226, RI-415, RX-415, GX-8000, RX-8000, & PS 2 .....	130.00
91-C-LVL3	Level 3 service - inspect, service, and calibration of the following instruments: GX-6000 (4 gas + PID/toxic), RX-516, RX-517, RI-413, GD-K88Ai, GD-70D, GD-K7D2, GD-K77D, SC-1, SC-8000 .....	170.00
91-C-LVL4	Level 4 service - inspect, service, and calibration of the following instruments: FP-30, FP-40, FP-31 .....	250.00
91-C-LVL5	Level 4 service - inspect, service, and calibration of the following instruments: FP-300, FP-301, FP-330 ...	350.00

## Services For EAGLE & EAGLE 2

Based on the EAGLE or EAGLE 2 configurations, the following services are available. Each EAGLE/EAGLE 2 service level includes disassembly/reassembly, cleaning inside/out, flow system examination for proper flow and pump shut off points, and calibration.

<b>Part#</b>	<b>Description</b>	<b>Suggested Retail</b>
91-C-ELVL1	Level 1 service for any EAGLE with 1 to 4 gas sensors including (LEL/O2/H2S/CO) or any single gas toxic / PID / TC / IR sensor .....	180.00
91-C-ELVL2	Level 2 service for any EAGLE with 2 super toxic / PID / TC / IR sensors only or 1 super toxic / PID / TC / IR sensor plus any 1 to 4 gas sensors including (LEL/O2/H2S/CO) .....	225.00
91-C-ELVL3	Level 3 service for any EAGLE with 2 or more super toxic / PID / TC / IR sensors plus any 1 to 4 gas sensors including (LEL/O2/H2S/CO) .....	270.00

# Technical Services

## Upgrades

For EAGLE OR EAGLE 2 upgrades adding super toxic sensors, contact RKI Applications Department to confirm that the gas combination you need is practical. Or find the part number for the version you want in the EAGLE section of this price list to confirm it is a viable combination. **Eagle upgrades are not eligible for the expedite program.**

Please use the following guidelines for quoting and handling EAGLE upgrades from one configuration to another.

**The pricing below includes all parts, calibration, and labor required to convert an EAGLE that is complete and in good working order, and that does not need any additional repairs, parts or sensors replaced.** If additional parts, sensors or labor is required an estimate will be provided. Approval of the estimate is required before upgrade can be completed.

For upgrades that include adding super toxic channels, the part number utilizes a suffix to indicate the specific super toxic gas being added. For example, to add a chlorine channel to an EAGLE, the upgrade part number would be 91-1000-CL2. To add 2 super toxic channels, use a separate line item for each channel. Specify the 91-1000-XXX part number for each new channel and total each individual price.

### EAGLE 1 Upgrades

<b>Part#</b>	<b>Description</b>	<b>Suggested Retail</b>
78-ENGINEER	Engineering fee for conversions to non standard EAGLE Versions .....	100.00
91-1000-01	Adding a super toxic sensor to EAGLE if instrument has existing super toxic sensor .....	1,200.00
91-1000-XXX	Adding a super toxic sensor to EAGLE .....	1,200.00
91-1001	Adding a 0 - 100% LEL (IR) CH4 sensor to EAGLE .....	1,200.00
91-1001-01	Adding a 0 - 100% LEL (IR) CH4 sensor to EAGLE if instrument has existing IR sensor .....	1,200.00
91-1002	Adding a 0 - 100% Vol CH4 sensor to EAGLE.....	1,200.00
91-1002-01	Adding a 0 - 100% Vol CH4 sensor to EAGLE if instrument has existing IR sensor .....	1,200.00
91-1003	Adding CO2 0 - 5,000 / 10,000 ppm to EAGLE .....	1,200.00
91-1003-01	Adding CO2 0 - 5,000 / 10,000 ppm to EAGLE if instrument has existing IR sensor .....	1,200.00
91-1004	Adding CO2 0 - 5% to EAGLE .....	1,200.00
91-1004-01	Adding CO2 0 - 5% to EAGLE if instrument has existing IR sensor .....	1,200.00
91-1005	Adding CO2 0 - 20% / 0 - 60% Vol to EAGLE .....	1,200.00
91-1005-01	Adding CO2 0 - 20% / 0 - 60% Vol to EAGLE if instrument has existing IR sensor .....	1,200.00
91-1006	Changing from one Super Toxic gas type to another .....	855.00
91-1007	Changing from 2 gas flow chamber to 4 gas flow chamber (sensors not included) .....	320.00

### EAGLE 2 Upgrades

<b>Part#</b>	<b>Description</b>	<b>Suggested Retail</b>
78-ENGINEER	Engineering fee for conversions to non standard EAGLE Versions .....	100.00
91-1025	Adding Low Range PID to EAGLE 2 .....	1,950.00
91-1026	Adding High Range PID to EAGLE 2 .....	1,650.00
91-1027	Adding 10,000ppm IR CO2 sensor to EAGLE 2 .....	1,200.00
91-1028	Adding 5% IR CO2 sensor to EAGLE 2 .....	1,200.00
91-1029	Adding 60% IR CO2 sensor to EAGLE 2 .....	1,200.00
91-1030	Adding IR CH4 sensor to EAGLE 2 .....	1,200.00
91-1031	Adding IR HC sensor to EAGLE 2 .....	1,200.00
91-1032	Adding TC CH4 sensor to EAGLE 2.....	750.00
91-1033	Adding TC H2 sensor to EAGLE 2 .....	750.00
91-1034	Adding ESM-01 sensor to EAGLE 2 .....	700.00
91-1035	Adding standard 4 gas block & sensors to EAGLE 2 .....	1,200.00



# Notes

---

# Fixed Systems Controllers

## Beacon 110 Single Channel Wall Mount Controller



**ORDERING INFORMATION:** When ordering a Beacon 110 system, please specify the following components:

- 1) Controller - Be sure to order correct -01, -02, or -03 version if intended to be used with a standby battery or if a strobe light is needed.
- 2) Detector Assembly (one only)
- 3) Battery back-up assembly if Beacon 110 with battery charger is ordered
  - 49-8103RK 1.2 AH battery assembly
  - 49-8104RK 12 AH battery assembly

**Note**

The Beacon 110 can accept direct connect sensors for LEL combustibles, Oxygen, Hydrogen Sulfide, and Carbon Monoxide as well as a few other gases (see Direct Connect Sensor section for a complete listing on page 168). The Beacon 110 can also accept any 4-20 mA transmitter.

### Controller Selection

Part#	Description	Suggested Retail
72-2110RK	Beacon 110, single channel controller (no sensor)	1,000.00
72-2110RK-01	Beacon 110, single channel controller with battery charger (no sensor or back-up battery)	1,050.00
72-2110RK-02	Beacon 110, single channel controller with small red strobe light (no sensor)	1,130.00
72-2110RK-03	Beacon 110, single channel controller with battery charger and small red strobe light (no sensor or back-up battery)	1,180.00

### Detector Assemblies Selection

**Refer to detector assembly sections for complete listing**

Direct Connect	Sensors with or without junction boxes, that connect directly to a controller (no transmitter)	page 168
S2 Series	Sensor / transmitter with explosion proof or non explosion proof junction box (no display)	page 174
M2A Series	Stand alone explosion proof transmitter, CAT/IR/EC sensors,digital display, CSA	page 179
T2A Series	2-Wire explosion proof transmitter, EC sensors, display	page 185
T3A Series	3-Wire explosion proof transmitter, CAT/IR/EC/PID sensors, display	page 189
VOC Pro	PID explosion proof transmitter, four PID sensor options, display	page 193
Air Alert	Stand-alone, non explosion proof transmitter, 3-color alarm LEDs and buzzer, or with relays	page 195
SD-1	Explosion proof transmitter, CAT/EC/IR/MOS/Galvanic sensors, display, HART & SIL2 options	page 200
M-Series	Low cost sensor / transmitter for H2S or CO, non explosion proof	page 228
35-3001	Sample draw detector assembly in NEMA 4X enclosure	page 229
35-3010	Sample draw, multi-sensor detector assembly in NEMA 4X enclosure	page 231
GD-70D	Sample draw transmitter, EC/MOS/CAT smart sensors, common components, display	page 204
GD-K88Ai	Diffusion transmitter with EC sensors, long sensor life, non explosion proof, display	page 207
MPS Sensor	MPS LEL Variable Combustible Gas Sensor (Molecular Property Spectrometer)	page 184

**Refer to Legacy Products section for the following detector assemblies**

S-Series	Sensor / transmitter with explosion proof junction box (no display) (old style)	page 240
----------	---	----------

### Battery Back-up Assembly Selection

Part#	Description	Suggested Retail
49-8103RK	Standby battery assembly, 24 VDC, 1.2 AMP hours, for Beacon 110 and Beacon 200	250.00
49-8104RK	Standby battery assembly, 24 VDC, 12 AMP hours, for Beacon 110, Beacon 200, Beacon 410A, Beacon 800, & Beacon 3200	440.00

### Replacement Parts & Accessories

For a complete listing of replacement parts and accessories see page 246.

**Notes**

- Fixed system pricing is for equipment only and does not include factory start-up or training. Please contact RKI for quotation if factory start-up or training is needed.
- Please contact RKI if you would like assistance with pricing or configuring a system quotation.
- A calibration test kit is a strongly recommended accessory for all fixed systems.
- Legacy products are still available.

# Fixed Systems Controllers

## Beacon 200 Two Channel Wall Mount Controller



**ORDERING INFORMATION:** When ordering a Beacon 200 system, please specify the following components:

- 1) Controller
- 2) Detector Assembly (up to 2)
- 3) Battery back-up assembly if required
  - 49-8103RK 1.2 AH battery assembly
  - 49-8104RK 12 AH battery assembly

**Note**

The Beacon 200 can accept direct connect sensors for LEL combustibles, Oxygen, Hydrogen Sulfide, and Carbon Monoxide as well as a few other gases (see Direct Connect Sensor section for a complete listing on page 168). The Beacon 200 can also accept any 4-20 mA transmitter.

### Controller Selection

Part#	Description	Suggested Retail
72-2102RK	Beacon 200, two channel controller, 115/220 VAC (no sensors) .....	1,900.00
72-2102-08	Beacon 200, two channel controller, 115/220 VAC, with small red strobe light (uses common alarm 1 relay contact for strobe) (no sensors) .....	2,125.00
72-2102-H2-01	Beacon 200, two channel controller, 115/220 VAC, for one H2 specific channel and one standard channel .....	1,900.00
72-2102-H2-02	Beacon 200, two channel controller, 115/220 VAC, for two H2 specific channels .....	1,900.00

### Detector Assemblies Selection

**Refer to detector assembly sections for complete listing**

Direct Connect	Sensors with or without junction boxes, that connect directly to a controller (no transmitter) .....	page 168
S2 Series	Sensor / transmitter with explosion proof or non explosion proof junction box (no display) .....	page 174
M2A Series	Stand alone explosion proof transmitter, CAT/IR/EC sensors,digital display, CSA .....	page 179
T2A Series	2-Wire explosion proof transmitter, EC sensors, display .....	page 185
T3A Series	3-Wire explosion proof transmitter, CAT/IR/EC/PID sensors, display .....	page 189
VOC Pro	PID explosion proof transmitter, four PID sensor options, display .....	page 193
Air Alert	Stand-alone, non explosion proof transmitter, 3-color alarm LEDs and buzzer, or with relays .....	page 195
SD-1	Explosion proof transmitter, CAT/EC/IR/MOS/Galvanic sensors, display, HART & SIL2 options .....	page 200
M-Series	Low cost sensor / transmitter for H2S or CO, non explosion proof .....	page 228
35-3001	Sample draw detector assembly in NEMA 4X enclosure .....	page 229
35-3010	Sample draw, multi-sensor detector assembly in NEMA 4X enclosure .....	page 231
GD-70D	Sample draw transmitter, EC/MOS/CAT smart sensors, common components, display.....	page 204
GD-K88Ai	Diffusion transmitter with EC sensors, long sensor life, non explosion proof, display .....	page 207
MPS Sensor	MPS LEL Variable Combustible Gas Sensor (Molecular Property Spectrometer) .....	page 184

**Refer to Legacy Products section for the following detector assemblies**

S-Series	Sensor / transmitter with explosion proof junction box (no display) (old style) .....	page 240
----------	---	----------

### Battery Back-up Assembly Selection

Part#	Description	Suggested Retail
49-8103RK	Standby battery assembly, 24 VDC, 1.2 AMP hours, for Beacon 110 and Beacon 200 .....	250.00
49-8104RK	Standby battery assembly, 24 VDC, 12 AMP hours, for Beacon 110, Beacon 200, Beacon 410A, Beacon 800, & Beacon 3200 .....	440.00

**Replacement Parts & Accessories**

For a complete listing of replacement parts and accessories see page 246.

**Notes**

- Fixed system pricing is for equipment only and does not include factory start-up or training. Please contact RKI for quotation if factory start-up or training is needed.
- Please contact RKI if you would like assistance with pricing or configuring a system quotation.
- A calibration test kit is a strongly recommended accessory for all fixed systems.
- Legacy products are still available.

# Fixed Systems Controllers

## Beacon 410A Four Channel Wall Mount Controller



**ORDERING INFORMATION:** When ordering a Beacon 410A system, please specify the following components:

- 1) Controller - Be sure to order correct -01, -02, or -03 version if intended to be used with a standby battery or if a strobe light is needed.
- 2) Detector Assemblies (up to 4)
- 3) Battery back-up assembly if Beacon 410A with battery charger is ordered  
49-8104RK 12 AH battery assembly

### Note

The Beacon 410A can accept direct connect sensors for LEL combustibles (catalytic or IR sensor), Oxygen, Hydrogen Sulfide, Carbon Monoxide, and Carbon Dioxide as well as a few other gases (see Direct Connect Sensor section for a complete listing on page 168). The Beacon 410A can also accept any 4-20 mA transmitter.

### Controller Selection

Part#	Description	Suggested Retail
72-2104A	Beacon 410A, four channel controller (no sensor) .....	2,400.00
72-2104A-01	Beacon 410A, four channel controller with battery charger (no sensors or back-up battery) .....	2,450.00
72-2104A-13R	Beacon 410A, four channel controller with large red strobe light (no sensor) .....	2,800.00
72-2104A-14R	Beacon 410A, four channel controller with terminals for battery charger, large red strobe light (no sensors or back-up battery) .....	2,830.00

### Detector Assemblies Selection

#### Refer to detector assembly sections for complete listing

Direct Connect	Sensors with or without junction boxes, that connect directly to a controller (no transmitter) .....	page 168
S2 Series	Sensor / transmitter with explosion proof or non explosion proof junction box (no display) .....	page 174
M2A Series	Stand alone explosion proof transmitter, CAT/IR/EC sensors,digital display, CSA .....	page 179
T2A Series	2-Wire explosion proof transmitter, EC sensors, display .....	page 185
T3A Series	3-Wire explosion proof transmitter, CAT/IR/EC/PID sensors, display .....	page 189
VOC Pro	PID explosion proof transmitter, four PID sensor options, display .....	page 193
Air Alert	Stand-alone, non explosion proof transmitter, 3-color alarm LEDs and buzzer, or with relays .....	page 195
SD-1	Explosion proof transmitter, CAT/EC/IR/MOS/Galvanic sensors, display, HART & SIL2 options .....	page 200
M-Series	Low cost sensor / transmitter for H2S or CO, non explosion proof .....	page 228
35-3001	Sample draw detector assembly in NEMA 4X enclosure .....	page 229
35-3010	Sample draw, multi-sensor detector assembly in NEMA 4X enclosure .....	page 231
GD-70D	Sample draw transmitter, EC/MOS/CAT smart sensors, common components, display .....	page 204
GD-K88Ai	Diffusion transmitter with EC sensors, long sensor life, non explosion proof, display .....	page 207
MPS Sensor	MPS LEL Variable Combustible Gas Sensor (Molecular Property Spectrometer) .....	page 184

#### Refer to Legacy Products section for the following detector assemblies

S-Series	Sensor / transmitter with explosion proof junction box (no display) (old style) .....	page 240
----------	---	----------

### Battery Back-up Assembly Selection

Part#	Description	Suggested Retail
49-8104RK	Standby battery assembly, 24 VDC, 12 AMP hours, for Beacon 110, Beacon 200, Beacon 410A, Beacon 800, & Beacon 3200 .....	440.00

### Replacement Parts & Accessories

For a complete listing of replacement parts and accessories see page 246.

### Notes

- Fixed system pricing is for equipment only and does not include factory start-up or training. Please contact RKI for quotation if factory start-up or training is needed.
- Please contact RKI if you would like assistance with pricing or configuring a system quotation.
- A calibration test kit is a strongly recommended accessory for all fixed systems.
- Legacy products are still available.

# Fixed Systems Controllers

## Beacon 800 Eight Channel Wall Mount Controller



**ORDERING INFORMATION:** When ordering a Beacon 800 system please specify the following components:

- 1) Controller
- 2) Detector Assemblies (up to 8)
- 3) Any options desired such as heavy duty relay board or individual recorder output board.
- 4) Battery back-up assembly if required - 49-8104RK 12 AH battery assembly

**Note**

All sensors connected to the Beacon 800 must use a 4-20 mA transmitter. Direct Connect Sensors are not compatible with the Beacon 800.

### Controller Selection

<u>Part#</u>	<u>Description</u>	<u>Suggested Retail</u>
72-2108RK	Beacon 800, eight channel controller (no sensors) .....	2,300.00

### Detector Assemblies Selection

**Refer to detector assembly sections for complete listing**

Direct Connect	Sensors with or without junction boxes, that connect directly to a controller (no transmitter) .....	page 168
S2 Series	Sensor / transmitter with explosion proof or non explosion proof junction box (no display) .....	page 174
M2A Series	Stand alone explosion proof transmitter, CAT/IR/EC sensors,digital display, CSA .....	page 179
T2A Series	2-Wire explosion proof transmitter, EC sensors, display .....	page 185
T3A Series	3-Wire explosion proof transmitter, CAT/IR/EC/PID sensors, display .....	page 189
VOC Pro	PID explosion proof transmitter, four PID sensor options, display .....	page 193
Air Alert	Stand-alone, non explosion proof transmitter, 3-color alarm LEDs and buzzer, or with relays .....	page 195
SD-1	Explosion proof transmitter, CAT/EC/IR/MOS/Galvanic sensors, display, HART & SIL2 options .....	page 200
M-Series	Low cost sensor / transmitter for H2S or CO, non explosion proof .....	page 228
35-3001	Sample draw detector assembly in NEMA 4X enclosure .....	page 229
35-3010	Sample draw, multi-sensor detector assembly in NEMA 4X enclosure .....	page 231
GD-70D	Sample draw transmitter, EC/MOS/CAT smart sensors, common components, display .....	page 204
GD-K88Ai	Diffusion transmitter with EC sensors, long sensor life, non explosion proof, display .....	page 207
MPS Sensor	MPS LEL Variable Combustible Gas Sensor (Molecular Property Spectrometer) .....	page 184

**Refer to Legacy Products section for the following detector assemblies**

S-Series	Sensor / transmitter with explosion proof junction box (no display) .....	page 240
----------	---	----------

### Optional Selections

(These items are factory installed and must be ordered with the instrument)

<u>Part#</u>	<u>Description</u>	<u>Suggested Retail</u>
75-0004RK	Recorder output board, 8 outputs, 4-20 mA or 1-5 VDC, added to Beacon 800 .....	300.00
75-0005RK	Heavy duty relay board, 4 relays at 30 amps, added to Beacon 800 .....	200.00
75-0006RK	Relay board and recorder output board, added to Beacon 800 .....	480.00

### Battery Back-up Assembly Selection

<u>Part#</u>	<u>Description</u>	<u>Suggested Retail</u>
49-8104RK	Standby battery assembly, 24 VDC, 12 AMP hours, for Beacon 110, Beacon 200, Beacon 410A, Beacon 800, & Beacon 3200 .....	440.00

### Replacement Parts & Accessories

For a complete listing of replacement parts and accessories see page 246.

**Notes**

- Fixed system pricing is for equipment only and does not include factory start-up or training. Please contact RKI for quotation if factory start-up or training is needed.
- Please contact RKI if you would like assistance with pricing or configuring a system quotation.
- A calibration test kit is a strongly recommended accessory for all fixed systems.
- Legacy products are still available.

# Fixed Systems Controllers

## Beacon 3200 Thirty Two Channel Wall Mount Controller

**ORDERING INFORMATION:** When ordering a Beacon 3200 system please specify the following components:

- 1) Controller
- 2) Sensor module/s (up to 4 channels per sensor module card)
- 3) Relay module/s (up to 8 relays per relay module card)
- 4) Detector Assemblies (max of 32)
- 5) Battery back-up assembly if required

**Note**

Maximum of 8 module cards per controller for any combination of sensor or relay modules.



### Controller Component Selections

<b>Part#</b>	<b>Description</b>	<b>Suggested Retail</b>
72-2132	Beacon 3200 controller base unit, sensor & relay module cards sold separately .....	5,200.00
57-0168-01	Sensor module PC board assembly for Beacon 3200, accepts 4 channels per sensor module .....	440.00
57-0169-01	Relay module PC board assembly for Beacon 3200, provides 8 programmable relays per relay module ...	340.00

### Detector Assemblies Selection

**Refer to detector assembly sections for complete listing**

Direct Connect	Sensors with or without junction boxes, that connect directly to a controller (no transmitter) .....	page 168
S2 Series	Sensor / transmitter with explosion proof or non explosion proof junction box (no display) .....	page 174
M2A Series	Stand alone explosion proof transmitter, CAT/IR/EC sensors,digital display, CSA .....	page 179
T2A Series	2-Wire explosion proof transmitter, EC sensors, display .....	page 185
T3A Series	3-Wire explosion proof transmitter, CAT/IR/EC/PID sensors, display .....	page 189
VOC Pro	PID explosion proof transmitter, four PID sensor options, display .....	page 193
Air Alert	Stand-alone, non explosion proof transmitter, 3-color alarm LEDs and buzzer, or with relays .....	page 195
SD-1	Explosion proof transmitter, CAT/EC/IR/MOS/Galvanic sensors, display, HART & SIL2 options .....	page 200
M-Series	Low cost sensor / transmitter for H2S or CO, non explosion proof .....	page 228
35-3001	Sample draw detector assembly in NEMA 4X enclosure .....	page 229
35-3010	Sample draw, multi-sensor detector assembly in NEMA 4X enclosure .....	page 231
GD-70D	Sample draw transmitter, EC/MOS/CAT smart sensors, common components, display.....	page 204
GD-K88Ai	Diffusion transmitter with EC sensors, long sensor life, non explosion proof, display .....	page 207
MPS Sensor	MPS LEL Variable Combustible Gas Sensor (Molecular Property Spectrometer) .....	page 184

### Battery Back-up Assembly Selection

<b>Part#</b>	<b>Description</b>	<b>Suggested Retail</b>
49-8104RK	Standby battery assembly, 24 VDC, 12 AMP hours, for Beacon 110, Beacon 200, Beacon 410A, Beacon 800, & Beacon 3200 .....	440.00

### Replacement Parts & Accessories

For a complete listing of replacement parts and accessories see page 246.

**Notes**

- Fixed system pricing is for equipment only and does not include factory start-up or training. Please contact RKI for quotation if factory start-up or training is needed.
- Please contact RKI if you would like assistance with pricing or configuring a system quotation.
- A calibration test kit is a strongly recommended accessory for all fixed systems.
- Legacy products are still available.

# Fixed Systems Controllers

## MC-6400 Modbus 64 Channel, Wall Mount Controller



**ORDERING INFORMATION:** When ordering an MC-6400 system please specify the following components:

- 1) AC or DC power supply version (AC versions come with loose power cord)
- 2) Detector Assemblies (up to 64)
- 3) Any options desired.
- 4) MC-6400 is supplied with 2 wiring hubs on the bottom of the housing. Hubs can be installed on top or sides instead **IF** specified at the time of ordering.

### Controller Selection

<u>Part#</u>	<u>Description</u>	<u>Suggested Retail</u>
74-7464-A	MC-6400 Modbus controller, 64 channels with 100-240 VAC power power supply, 4 relays, Modbus in/out .....	2,280.00
74-7464-D	MC-6400 Modbus controller, 64 channels with 12-35 VDC power power supply, 4 relays, Modbus in/out .....	2,040.00

### Add-Ons for MC-6400

To add an alarm strobe or buzzer select from the part #'s below. Each item utilizes 1 relay.

<u>Part#</u>	<u>Description</u>	<u>Suggested Retail</u>
Z481-EMA-KIT	Strobe adder, amber .....	180.00
Z481-EMB-KIT	Strobe adder, blue .....	180.00
Z481-EMR-KIT	Strobe adder, red .....	180.00
Z481-EMW-KIT	Strobe adder, clear .....	180.00
Z488-KIT	Audible alarm buzzer adder .....	110.00

### Detector Assemblies Selection

**Refer to detector assembly sections for complete listing**

M2A Series	Stand alone explosion proof transmitter, CAT/IR/EC sensors,digital display, CSA .....	page 179
T3A Series	3-Wire explosion proof transmitter, CAT/IR/EC/PID sensors, display .....	page 189
VOC Pro	PID explosion proof transmitter, four PID sensor options, display .....	page 193
Air Alert	Stand-alone, non explosion proof transmitter, 3-color alarm LEDs and buzzer, or with relays .....	page 195

# Fixed Systems Controllers

## AC-7400 Analog Wall Mount Controller, 8 and 12 Channels



**ORDERING INFORMATION:** When ordering an AC-7400 system please specify the following components:

- 1) AC or DC power supply version (AC versions come with loose power cord)
- 2) Detector Assemblies (up to 8 or 12)
- 3) Any options desired.
- 4) Both the 8 and 12 channel AC-7400 controllers are supplied with 2 wiring hubs on the bottom of the housing. Hubs can be installed on top or sides instead **IF** specified at the time of ordering.

### Controller Selection

<u>Part#</u>	<u>Description</u>	<u>Suggested Retail</u>
74-7408-A	AC-7408 Controller, 8 channels, AC powered .....	3,020.00
74-7408-D	AC-7408 Controller, 8 channels, DC powered .....	2,820.00
74-7412-A	AC-7412 Controller, 12 channels, AC powered .....	3,720.00
74-7412-D	AC-7412 Controller, 12 channels, DC powered .....	3,520.00

### Add-Ons for AC-7400

To add an alarm strobe or buzzer select from the part #'s below. Each item utilizes 1 relay.

<u>Part#</u>	<u>Description</u>	<u>Suggested Retail</u>
Z481-EMA-KIT	Strobe adder, amber .....	180.00
Z481-EMB-KIT	Strobe adder, blue .....	180.00
Z481-EMR-KIT	Strobe adder, red .....	180.00
Z481-EMW-KIT	Strobe adder, clear .....	180.00
Z488-KIT	Audible alarm buzzer adder .....	110.00

### Detector Assemblies Selection

**Refer to detector assembly sections for complete listing**

S2 Series	Sensor / transmitter with explosion proof or non explosion proof junction box (no display) .....	page 174
M2A Series	Stand alone explosion proof transmitter, CAT/IR/EC sensors,digital display, CSA .....	page 179
T3A Series	3-Wire explosion proof transmitter, CAT/IR/EC/PID sensors, display .....	page 189
VOC Pro	PID explosion proof transmitter, four PID sensor options, display .....	page 193
Air Alert	Stand-alone, non explosion proof transmitter, 3-color alarm LEDs and buzzer, or with relays .....	page 195
GD-70D	Sample draw transmitter, EC/MOS/CAT smart sensors, common components, display .....	page 204



# Fixed Systems Controllers

## RM-5000 Series 2, 4, 6, 8, or 12 Multi-Channel Controller and Alarm



**ORDERING INFORMATION:** When ordering a RM-5000 system please specify the following components:

- 1) Housing
- 2) Display Modules
- 3) Detector / Transmitter Assemblies

### Housing

<u>Part#</u>	<u>Description</u>	<u>Suggested Retail</u>
5000-SR	1-Channel Case, panel mounting, RM-5000 Series .....	220.00
5000-02R	2-Channel panel mounting housing, RM-5000 Series .....	920.00
5000-02W	2-Channel wall mounting housing, RM-5000 Series.....	920.00
5000-04R	4-Channel panel mounting housing, RM-5000 Series .....	1,150.00
5000-04W	4-Channel wall mounting housing, RM-5000 Series.....	1,150.00
5000-06R	6-Channel panel mounting housing, RM-5000 Series .....	1,380.00
5000-06W	6-Channel wall mounting housing, RM-5000 Series.....	1,380.00
5000-08R	8-Channel panel mounting housing, RM-5000 Series .....	1,610.00
5000-08W	8-Channel wall mounting housing, RM-5000 Series.....	1,610.00
5000-10R	10-Channel panel mounting housing, RM-5000 Series .....	1,840.00
5000-10W	10-Channel wall mounting housing, RM-5000 Series .....	1,840.00
5000-12R	12-Channel panel mounting housing, RM-5000 Series .....	2,070.00
5000-12W	12-Channel wall mounting housing, RM-5000 Series .....	2,070.00

### Display Modules

<u>Part#</u>	<u>Description</u>	<u>Suggested Retail</u>
5000-CC	Module adapter, RM-5000 module to RM-570/580 case .....	95.00
EC-5002	Module,indicator/alarm, toxic gases, 2-wire 4-20 mA, RM-5000 Series (specify gas & range) .....	660.00
EC-5002-NH3	Module,indicator/alarm, 0-75.0 ppm NH3, 2-wire 4-20 mA, RM-5000 Series .....	660.00
GH-5001	Module, indicator/alarm, GH-5001, combustible or toxic gases (ppm range), RM-5000 Series (specify gas & range) .....	660.00
GH-5001H	Module, indicator/alarm, GH-5001H, 0-2000 ppm H2, (for SG-8541,SG-8546,61-0160RK sensors) .....	660.00
GH-5001H-01	Module,indicator/alarm, GH-5001H, 0-2000 ppm H2, NE relays/test relay on .....	660.00
GH-5001H-02	Module,indicator/alarm, GH-5001H, 0-2000 ppm H2, NE relays/self resetting alms/test relay on .....	660.00
GP-5001	Module,indicator/alarm, GP-5001,combustible gas, 0-100% LEL, RM-5000 Series (MUST SPECIFY GAS) ...	660.00
GP-5001-C4H10	Module,indicator/alarm, GP-5001,combustible gas , 0-100 %LEL isobutane, RM-5000 Series .....	660.00
GP-5001-CH4	Module, indicator/alarm, GP-5001,combustible gas , 0-100% LEL CH4, RM-5000 Series .....	660.00
NC-5001-C2H4	Module indicator/alarm, 0 - 100 %LEL Ethylene (C2H4), for NC-6241A, RM-5000 Series .....	660.00
NC-5001-CH4	Module indicator/alarm, 0 - 100 %LEL CH4, for NC-6241, RM-5000 Series .....	660.00
NC-5001-THF	Module indicator/alarm, 0 - 100 %LEL THF, for NC-6241, RM-5000 Series .....	660.00
NP-5001	Module, indicator/alarm, NP-5001, combustible gas, % volume, RM-5000 Series .....	660.00
OX-5001	Module, indicator/alarm, oxygen, 0-25%, direct connect, RM-5000 Series .....	660.00
OX-5002	Module, indicator/alarm, OX-5002, Oxygen (4-20mA), RM-5000 Series .....	660.00
RM-5002	Module indicator/alarm, 2-wire 4-20 mA, RM-5000 Series (specify gas & range) .....	660.00
RM-5002-CO2-02	Module indicator/alarm, 0-9950 ppm, 2-wire 4-20 mA, RM-5000 Series .....	660.00
RM-5003	Module indicator/alarm, 3-wire 4-20 mA, RM-5000 Series (specify gas & range) .....	660.00
RM-5003-CL2	Module indicator/alarm, 0-3.00 ppm Cl2, 3-wire 4-20 mA, RM-5000 Series .....	660.00
SP-5001	Module, indicator/alarm, SP-5001, combustible or toxic gases (ppm range), RM-5000 Series .....	660.00
TAN-5000	Buzzer Unit, self resetting, RM-5000 Series .....	400.00
TAN-5000L	Buzzer Unit, latching, RM-5000 Series .....	400.00



# Fixed Systems Controllers

## **RM-5000 Series 2, 4, 6, 8, or 12 Multi-Channel Controller and Alarm**

### **RM-5000 Detector Assemblies**

<b>Part#</b>	<b>Description</b>	<b>Suggested Retail</b>
21-0250RK	Weather proof cover for GD-A80, GD-A8 & GD-D8 .....	140.00
22-0252RK	Blank plate panel for RM-5000 .....	18.00
61-1000RK	Sensor, LEL combustible (catalytic) with explosion proof j-box (no transmitter), (specify calibration), UL version .....	350.00
61-1001RK	Sensor, LEL Hydrogen (H2) specific with explosion proof j-box (no transmitter), UL version .....	495.00
61-1050RK	Hydrogen (H2) specific sensor / j-box, 0-2000 ppm .....	495.00
GD-A80-01	Diffusion detector assembly, model GD-A80, 0 - 100% LEL methane, explosion proof .....	575.00
GD-A80-02	Diffusion detector assembly, model GD-A80, 0 - 100% LEL hexane, explosion proof .....	575.00
GD-A80-03	Diffusion detector assembly, model GD-A80, 0 - 100% LEL propane, explosion proof .....	575.00
GD-A80-04	Diffusion detector assembly, model GD-A80, 0 - 100% LEL hydrogen, explosion proof .....	575.00
GD-A80-05	Diffusion detector assembly, model GD-A80, 0 - 100% LEL isobutane, explosion proof .....	575.00
GD-A80-06	Diffusion detector assembly, model GD-A80, 0 - 100% LEL MMA (mono methyl methacrylate), explosion proof .....	575.00
GD-A80V-01	Diffusion detector assembly, model GD-A80V, 0 - 2000 ppm hydrogen, H2 specific, MOS sensor, explosion proof .....	575.00
GD-A80V-02	Diffusion detector assembly, model GD-A80V, 0 - 5000 ppm hydrogen, H2 specific, SG-8511, explosion proof .....	575.00
GD-A80V-04	Diffusion detector assembly, model GD-A80V, 0 - 300 ppm MMA (methyl methacrylate), MOS sensor, explosion proof .....	575.00
GD-D58-DU2-100	Sample draw detector assembly, model GD-D58, 0 - 100% LEL methane, 24 VDC, with G1 ports, brass 1/4" tube fittings .....	1,500.00

### **Refer to detector assembly sections for complete listing**

Direct Connect	Sensors with or without junction boxes, that connect directly to a controller (no transmitter) for LEL & Oxygen only .....	page 168
S-Series	Sensor / transmitter with explosion proof junction box (no display) .....	page 240
M2A Series	Stand alone sensor / transmitter with explosion proof junction box and digital display .....	page 179
GD-70D	Electrochemical sample draw detector assembly with digital display for toxic gases .....	page 204
GD-K88Ai	Electrochemical diffusion detector assembly for toxic gases .....	page 207

### **Notes**

- Fixed system pricing is for equipment only and does not include factory start-up or training. Please contact RKI for quotation if factory start-up or training is needed.
- Please contact RKI if you would like assistance with pricing or configuring a system quotation.
- A calibration test kit is a strongly recommended accessory for all fixed systems.
- Legacy products are still available.

# Fixed Systems Sensors & Transmitters

## Direct Connect Sensors no J-box

**ORDERING INFORMATION:** Direct connect sensors can be with or without a junction box and can be connected directly to the Beacon 110, Beacon 200, and Beacon 410A. LEL and Oxygen versions can also be connected to the Pioneer.



## Explosion Proof Sensors, No J-Box, Class I, Division 1 Approved

<b>Part#</b>	<b>Description</b>	<b>Suggested Retail</b>
61-0140RK	Sensor, LEL combustible (catalytic), direct connection (no transmitter, no j-box), UL version	250.00
61-0140RK-05	Sensor, LEL combustible (catalytic), direct connection (no transmitter, no j-box), cCSAus version	300.00
NC-6205-01	Sensor, LEL Hydrogen (H2) specific, 1/2 NPT, with guard and silicone resistance, UL version, (no transmitter, no j-box)	400.00
NC-6205-05	Sensor, LEL Hydrogen (H2) specific, explosion proof direct connection, with silicone resistance, cCSAus version, (no transmitter, no j-box)	450.00
61-0190RK-CH4	Sensor, Methane (CH4) 0 - 100% LEL, IR, explosion proof direct connection, 3/4" NPT nipple (no transmitter, no j-box), cULus version	700.00
61-0192RK-CH4	Sensor, Methane (CH4) 0 - 100% volume, IR, explosion proof direct connection, 3/4" NPT nipple (no transmitter, no j-box), cULus version	700.00
61-0190RK-HC	Sensor, Hydrocarbon (HC) 0 - 100% LEL, IR, isobutane standard calibration, explosion proof direct connection, 3/4" NPT nipple (no transmitter, no j-box), cULus version	700.00
65-2514RK	Sensor, Oxygen (O2), capillary type, explosion proof, (no transmitter, no j-box), CSA version	360.00
65-2438	Sensor, Carbon Monoxide (CO), direct connection (no transmitter, no j-box), CSA version	400.00
65-2428	Sensor, Hydrogen Sulfide (H2S), direct connection (no transmitter, no j-box)	400.00
65-2425	Sensor, Hydrogen Cyanide (HCN), direct connection (no transmitter, no j-box), Available Q4 2022	650.00
61-0191RK-02	Sensor, Carbon Dioxide (CO2) 0 - 5,000 ppm, IR, explosion proof direct connection (no transmitter, no j-box), cULus version	700.00
61-0191RK-03	Sensor, Carbon Dioxide (CO2) 0 - 5%, IR, explosion proof direct connection (no transmitter, no j-box), cULus version	700.00
61-0191RK-05	Sensor, Carbon Dioxide (CO2) 0 - 50%, IR, explosion proof direct connection (no transmitter, no j-box), cULus version	700.00
61-0191RK-10	Sensor, Carbon Dioxide (CO2) 0 - 100%, IR, explosion proof direct connection (no transmitter, no j-box), cULus version	700.00

## Non-Explosion Proof Sensor, OK for Class I, Division 2, No J-box

<b>Part#</b>	<b>Description</b>	<b>Suggested Retail</b>
65-2494RK	Sensor, Oxygen (O2) 0 - 25%, non explosion proof direct connect, capillary type, no j-box	320.00
65-2510RK	Sensor, Oxygen (O2) 0 - 25%, non explosion proof direct connect, partial pressure type (no transmitter, no j-box)	250.00
61-0198RK-04	Sensor, IR Carbon Dioxide (CO2) 0-20%, non explosion proof direct connect, replaceable sensor	650.00
65-2495RK	Sensor, Hydrogen Sulfide (H2S) 0 - 100 ppm, non explosion proof direct connect, no j-box	320.00
65-2496RK	Sensor, Carbon Monoxide (CO) 0 - 300 ppm, non explosion proof direct connect, no j-box	320.00
61-0198RK-02	Sensor, IR Carbon Dioxide (CO2) 0-5,000 ppm, non explosion proof direct connect, replaceable sensor	650.00
61-0198RK-03	Sensor, IR Carbon Dioxide (CO2) 0-5%, non explosion proof direct connect, replaceable sensor	650.00
61-0198RK-05	Sensor, IR Carbon Dioxide (CO2) 0-50%, non explosion proof direct connect, replaceable sensor	650.00
61-0198RK-10	Sensor, IR Carbon Dioxide (CO2) 0-100%, non explosion proof direct connect, replaceable sensor	650.00

# Fixed Systems Sensors & Transmitters

## Direct Connect Toxic Sensors no J-box

### Non Explosion Proof Sensors, OK for Class I, Division 2, no J-box - CT-7 Series

<b>Part#</b>	<b>Description</b>	<b>Suggested Retail</b>
65-2302-NH3-75	Sensor, Ammonia (NH3), 0 - 75 ppm, CT-7 style, non explosion proof	... 695.00
65-2302-NH3-1	Sensor, Ammonia (NH3), 0 - 100 ppm, CT-7 style, non explosion proof	... 695.00
65-2302-NH3-2	Sensor, Ammonia (NH3), 0 - 200 ppm, CT-7 style, non explosion proof	... 695.00
65-2302-NH3-5	Sensor, Ammonia (NH3), 0 - 500 ppm, CT-7 style, non explosion proof	... 695.00
65-2302-CL2-3	Sensor, Chlorine (Cl2), 0 - 3 ppm, CT-7 style, non explosion proof	..... 695.00
65-2302-CL2-5	Sensor, Chlorine (Cl2), 0 - 5 ppm, CT-7 style, non explosion proof	..... 695.00
65-2302-CL2-10	Sensor, Chlorine (Cl2), 0 - 10 ppm, CT-7 style, non explosion proof	..... 695.00
65-2302-CLO2-1	Sensor, Chlorine Dioxide (ClO2), 0 - 1 ppm, CT-7 style, non explosion proof	..... 695.00
65-2302-CLO2-3	Sensor, Chlorine Dioxide (ClO2), 0 - 3 ppm, CT-7 style, non explosion proof	..... 695.00
65-2302-CLO2-5	Sensor, Chlorine Dioxide (ClO2), 0 - 5 ppm, CT-7 style, non explosion proof	..... 695.00
65-2302-HCN-15	Sensor, Hydrogen Cyanide (HCN), 0 - 15 ppm, CT-7 style, non explosion proof	..... 595.00
65-2302-SO2-10	Sensor, Sulfur Dioxide (SO2), 0 - 10 ppm, CT-7 style, non explosion proof	..... 595.00



### Non Explosion Proof Sensors, OK for Class I, Division 2, no J-box - ESM-01 Series

<b>Part#</b>	<b>Description</b>	<b>Suggested Retail</b>
65-2300RK-NH3	Sensor, Ammonia (NH3) sensor, 0 - 75 ppm, direct connection with conduit mounting, non explosion proof (no transmitter, no j-box)	550.00
65-2300RK-ASH3	Sensor, Arsine (AsH3) sensor, 0 - 1.5 ppm, direct connection with conduit mounting, non explosion proof (no transmitter, no j-box)	550.00
65-2300RK-HCN	Sensor, Hydrogen Cyanide (HCN) sensor, 0 - 15 ppm, direct connection with conduit mounting non explosion proof (no transmitter, no j-box)	... 550.00
65-2300RK-PH3	Sensor, Phosphine (PH3) sensor, 0 - 1 ppm, direct connection with conduit mounting, non explosion proof (no transmitter, no j-box)	550.00
65-2300RK-SO2	Sensor, Sulfur Dioxide (SO2) sensor, 0 - 6 ppm, direct connection with conduit mounting, non explosion proof (no transmitter, no j-box)	550.00



# Fixed Systems Sensors & Transmitters

## Direct Connect Sensors with J-box

### Explosion Proof: Class I, Division 1 Approved



Part#	Description	Suggested Retail
61-1000RK	Sensor, LEL combustible (catalytic) with explosion proof j-box (no transmitter), (specify calibration), UL version .....	350.00
61-1000RK-05	Sensor, LEL combustible (catalytic) with explosion proof j-box (no transmitter), (specify calibration), CSA version .....	400.00
61-1001RK	Sensor, LEL Hydrogen (H2) specific with explosion proof j-box (no transmitter), UL version .....	495.00
61-1001RK-05	Sensor, LEL Hydrogen (H2) specific with explosion proof j-box (no transmitter), CSA version .....	545.00
61-1003RK-CH4	Sensor, IR, Methane (CH4) 0 - 100% LEL, explosion proof with j-box, UL version .....	800.00
61-1003RK-HC	Sensor, IR, Hydrocarbons (HC) 0 - 100% LEL, isobutane standard calibration, explosion proof with j-box, UL version .....	800.00
61-1006RK-CH4	Sensor, IR, Methane (CH4) 0 - 100% VOL, with j-box, UL version .....	800.00
65-2515RK	Sensor, Oxygen (O2), capillary type, explosion proof with conduit mounting and j-box (no transmitter), CSA version .....	495.00
65-2437RK-05	Sensor, Carbon Monoxide (CO) with j-box, CSA version .....	495.00
65-2427RK-05	Sensor, Hydrogen Sulfide (H2S) with j-box, CSA version .....	495.00
65-2429	Sensor, Hydrogen Cyanide (HCN) with j-box, Available Q4 2022 .....	750.00
61-1004RK-02	Sensor, IR, Carbon Dioxide (CO2) 0 - 5,000 ppm, explosion proof with j-box, UL version .....	800.00
61-1004RK-03	Sensor, IR, Carbon Dioxide (CO2) 0 - 5%, explosion proof with j-box, UL version .....	800.00
61-1004RK-05	Sensor, IR, Carbon Dioxide (CO2) 0 - 50%, explosion proof with j-box, UL version .....	800.00
61-1004RK-10	Sensor, IR, Carbon Dioxide (CO2) 0 - 100%, explosion proof with j-box, UL version .....	800.00

### Non Explosion Proof Sensors, OK for Class I, Division 2

Part#	Description	Suggested Retail
65-2497RK	Sensor, Oxygen (O2) 0 - 25%, direct connect, capillary type, non explosion proof, with j-box .....	420.00
65-2502RK	Sensor, Oxygen (O2) with j-box and I.S. barrier, partial pressure type, (no explosion proof approval) .....	350.00
65-2498RK	Sensor, Hydrogen Sulfide (H2S) 0 - 100 ppm, direct connect, non explosion proof, with j-box .....	440.00
65-2499RK	Sensor, Carbon Monoxide (CO) 0 - 300 ppm, direct connect, non explosion proof, with j-box .....	440.00
61-1007RK-02	Sensor, IR, Carbon Dioxide (CO2) 0 - 5,000 ppm, non explosion proof with j-box .....	750.00
61-1007RK-03	Sensor, IR, Carbon Dioxide (CO2) 0 - 5%, non explosion proof with j-box .....	750.00
61-1007RK-05	Sensor, IR, Carbon Dioxide (CO2) 0 - 50%, non explosion proof with j-box .....	750.00
61-1007RK-10	Sensor, IR, Carbon Dioxide (CO2) 0 - 100%, non explosion proof with j-box .....	750.00

### Direct Connect Toxic Sensors, with J-box, Non Explosion Proof, OK for Class I, Division 2

#### CT-7 Series with J-box

Part#	Description	Suggested Retail
65-2303-NH3-75	Sensor, Ammonia (NH3), 0 - 75 ppm, CT-7 style with j-box, non explosion proof .....	795.00
65-2303-NH3-1	Sensor, Ammonia (NH3), 0 - 100 ppm, CT-7 style with j-box, non explosion proof .....	795.00
65-2303-NH3-2	Sensor, Ammonia (NH3), 0 - 200 ppm, CT-7 style with j-box, non explosion proof .....	795.00
65-2303-NH3-5	Sensor, Ammonia (NH3), 0 - 500 ppm, CT-7 style with j-box, non explosion proof .....	795.00
65-2303-CL2-3	Sensor, Chlorine (Cl2), 0 - 3 ppm, CT-7 style with j-box, non explosion proof .....	795.00
65-2303-CL2-5	Sensor, Chlorine (Cl2), 0 - 5 ppm, CT-7 style with j-box, non explosion proof .....	795.00
65-2303-CL2-10	Sensor, Chlorine (Cl2), 0 - 10 ppm, CT-7 style with j-box, non explosion proof .....	795.00
65-2303-CLO2-1	Sensor, Chlorine Dioxide (ClO2), 0 - 1 ppm, CT-7 style with j-box, non explosion proof .....	795.00
65-2303-CLO2-3	Sensor, Chlorine Dioxide (ClO2), 0 - 3 ppm, CT-7 style with j-box, non explosion proof .....	795.00
65-2303-CLO2-5	Sensor, Chlorine Dioxide (ClO2), 0 - 5 ppm, CT-7 style with j-box, non explosion proof .....	795.00
65-2303-HCN-15	Sensor, Hydrogen Cyanide (HCN), 0 - 15 ppm, CT-7 style with j-box, non explosion proof .....	695.00
65-2303-SO2-10	Sensor, Sulfur Dioxide (SO2) 0 - 10 ppm, CT-7 style with j-box, non explosion proof .....	695.00



Note: **Stainless steel junction box for Direct Connect or S2 Series** can be supplied for an additional \$100.00 upon request instead of standard aluminum junction box. To order stainless junction box, just add 'SS' to the end of the part #..

Ex: 61-1000RKSS, or 65-2405RKSS.

## Fixed Systems Sensors & Transmitters

### **Direct Connect Toxic Sensors with J-box, Non Explosion Proof, OK for Class I, Division 2**

#### **ESM-01 Series with J-box**

<b>Part#</b>	<b>Description</b>	<b>Suggested Retail</b>
65-2301RK-NH3	Sensor, Ammonia (NH3) sensor, 0 - 75 ppm, direct connection, non explosion proof with j-box (no transmitter) .....	650.00
65-2301RK-ASH3	Sensor, Arsine (AsH3) sensor, 0 - 1.5 ppm, direct connection, non explosion proof with j-box (no transmitter) .....	650.00
65-2301RK-HCN	Sensor, Hydrogen Cyanide (HCN) sensor, 0 - 15 ppm, direct connection, non explosion proof with j-box (no transmitter) .....	650.00
65-2301RK-PH3	Sensor, Phosphine (PH3) sensor, 0 - 1 ppm, direct connection, non explosion proof with j-box (no transmitter) .....	650.00
65-2301RK-SO2	Sensor, Sulfur Dioxide (SO2) sensor, 0 - 6 ppm, direct connection, non explosion proof with j-box (no transmitter) .....	650.00



### **Direct Connect Sensors Remote Mount with Calibration Adapter / Splash Guard Explosion Proof Class I, Division 1 Approved**

Includes diffusion calibration adapter for sample tube connection.

<b>Part#</b>	<b>Description</b>	<b>Suggested Retail</b>
61-1000RK-04	Sensor, LEL combustible (catalytic) with explosion proof j-box (no transmitter), (specify calibration) and calibration adapter/splash guard .....	425.00
61-1001RK-04	Sensor, LEL Hydrogen (H2) specific with explosion proof j-box (no transmitter) and calibration adapter/splash guard .....	580.00
61-1003RK-CH4-4	Sensor, IR, Methane (CH4) 0 - 100% LEL, explosion proof with j-box and calibration adapter/splash guard .....	840.00
61-1003RK-HC-04	Sensor, IR, Hydrocarbon (HC) 0 - 100% LEL, explosion proof with j-box and calibration adapter/splash guard .....	840.00

Includes diffusion cal cup **with splash guard** for sample tube connection.

**Note:** Tubing sold separately. Recommended tubing size for standard sensors is 3/16" x 5/16".  
For IR XP sensors use 1/4" ID x 3/8" OD tubing.

61-1000RK-04



81-1116RK  
cal cup

61-1003RK-CH4-04



81-1103RK-01  
cal cup / splash guard for IR

# Fixed Systems Sensors & Transmitters

## Direct Connect Replacement Sensors For Explosion Proof

<b>Part#</b>	<b>Description</b>	<b>Suggested Retail</b>
61-0140RK	Sensor, LEL combustible (catalytic), direct connection (no transmitter, no j-box), UL version	250.00
61-0140RK-05	Sensor, LEL combustible (catalytic), direct connection (no transmitter, no j-box), cCSAus version	300.00
61-0190RK-CH4	Sensor, Methane (CH4) 0 - 100% LEL, IR, explosion proof direct connection, 3/4" NPT nipple (no transmitter, no j-box), cULus version	700.00
61-0190RK-HC	Sensor, Hydrocarbon (HC) 0 - 100% LEL, IR, isobutane standard calibration, explosion proof direct connection, 3/4" NPT nipple (no transmitter, no j-box), cULus version	700.00
61-0191RK-02	Sensor, Carbon Dioxide (CO2) 0 - 5,000 ppm, IR, explosion proof direct connection (no transmitter, no j-box), cULus version	700.00
61-0191RK-03	Sensor, Carbon Dioxide (CO2) 0 - 5%, IR, explosion proof direct connection (no transmitter, no j-box), cULus version	700.00
61-0191RK-05	Sensor, Carbon Dioxide (CO2) 0 - 50%, IR, explosion proof direct connection (no transmitter, no j-box), cULus version	700.00
61-0191RK-10	Sensor, Carbon Dioxide (CO2) 0 - 100%, IR, explosion proof direct connection (no transmitter, no j-box), cULus version	700.00
61-0192RK-CH4	Sensor, Methane (CH4) 0 - 100% volume, IR, explosion proof direct connection, 3/4" NPT nipple (no transmitter, no j-box), cULus version	700.00
61-5039RK-CH4	Sensor, Methane (CH4) 0-100% LEL, IR, plug-in style	400.00
61-5039RK-HC	Sensor, Hydrocarbon (HC) 0-100% LEL, IR, plug-in style	400.00
61-5040RK-03	Sensor, IR Carbon Dioxide (CO2) 0-5%, plug-in type, non-explosion proof	400.00
61-5040RK-05	Sensor, IR Carbon Dioxide (CO2) 0-50%, plug-in type, non-explosion proof	400.00
61-5040RK-10	Sensor, IR Carbon Dioxide (CO2) 0-100%, plug-in type, non-explosion proof	400.00
65-1025RK	Sensor, Oxygen (O2) 0 - 25%, capillary type, plug-in replacement for O2 assembly (65-2514RK & 65-2497RK)	140.00
65-2049-01	Sensor, Hydrogen Cyanide (HCN), 0 - 15 ppm, CT-7 style, explosion proof and non explosion proof	320.00
65-2510RK	Sensor, Oxygen (O2) 0 -25%, non explosion proof direct connect, partial pressure type (no transmitter, no j-box)	250.00
ES-1531-CO	Sensor, Carbon Monoxide (CO) 0 - 300 ppm, plug-in type, CT-7 style, cCSAus version	195.00
ES-1537-H2S	Sensor, Hydrogen Sulfide (H2S) 0 - 100 ppm, plug-in type, CT-7 style, cCSAus version	195.00
NC-6205-01	Sensor, LEL Hydrogen (H2) specific, 1/2 NPT, with guard and silicone resistance, UL version, (no transmitter, no j-box)	400.00
NC-6205-05	Sensor, LEL Hydrogen (H2) specific, explosion proof direct connection, with silicone resistance, cCSAus version, (no transmitter, no j-box)	450.00

## Direct Connect Replacement Sensors For Non Explosion Proof

<b>Part#</b>	<b>Description</b>	<b>Suggested Retail</b>
65-1025RK	Sensor, Oxygen (O2) 0 - 25%, capillary type, plug-in replacement for O2 assembly (65-2514RK & 65-2497RK)	140.00
65-2510RK	Sensor, Oxygen (O2) 0 -25%, non explosion proof direct connect, partial pressure type (no transmitter, no j-box)	250.00
ES-1537-H2S	Sensor, Hydrogen Sulfide (H2S) 0 - 100 ppm, plug-in type, CT-7 style, cCSAus version	195.00
ES-1531-CO	Sensor, Carbon Monoxide (CO) 0 - 300 ppm, plug-in type, CT-7 style, cCSAus version	195.00
61-5040RK-02	Sensor, IR Carbon Dioxide (CO2) 0-5,000 ppm, plug-in type, non-explosion proof	400.00
61-5040RK-03	Sensor, IR Carbon Dioxide (CO2) 0-5%, plug-in type, non-explosion proof	400.00
61-5040RK-05	Sensor, IR Carbon Dioxide (CO2) 0-50%, plug-in type, non-explosion proof	400.00
61-5040RK-10	Sensor, IR Carbon Dioxide (CO2) 0-100%, plug-in type, non-explosion proof	400.00

# Fixed Systems Sensors & Transmitters

## ***Direct Connect Replacement CT-7 Toxic Sensors***

<b>Part#</b>	<b>Description</b>	<b>Suggested Retail</b>
65-2054-01	Sensor, Ammonia (NH3) 0-75 ppm, Sensoric CT-7 style with added membrane .....	450.00
65-2053-01	Sensor, Ammonia (NH3) 0-500 ppm, Sensoric CT-7 style with added membrane .....	450.00
65-2051-01	Sensor, Chlorine (Cl2), 0 - 5 ppm / 0 - 10 ppm, CT-7 style with added membrane .....	450.00
65-2052-01	Sensor, Chlorine Dioxide (ClO2), 0 - 1 ppm / 0 - 3 ppm / 0 - 5 ppm, CT-7 style with added membrane .....	450.00
65-2049-01	Sensor, Hydrogen Cyanide (HCN), 0 - 15 ppm, CT-7 style, explosion proof and non explosion proof .....	320.00
65-2024-01	Sensor, Sulfur Dioxide (SO2), 0 - 10 ppm, CT-7 style with added membrane .....	320.00

## ***Direct Connect Replacement ESM-01 Toxic Sensors***

<b>Part#</b>	<b>Description</b>	<b>Suggested Retail</b>
ESM-01R-D-NH3	Sensor, Ammonia (NH3), 0 - 75 ppm, ESM-01 plug-in type, for diffusion instruments .....	195.00
ESM-01DH-ASH3	Sensor, Arsine (AsH3), 0 - 1.50 ppm, ESM-01 plug-in type .....	195.00
ESM-01DH-D-HCN	Sensor, Hydrogen Cyanide (HCN), 0 - 15 ppm, ESM-01 plug-in type .....	195.00
ESM-01DH-PH3	Sensor, Phosphine (PH3), 0 - 1.0 ppm, ESM-01 plug-in type .....	195.00
ESM-K01-D-CL2	Sensor, Chlorine (Cl2), 0 - 3 ppm, ESM-01 plug-in diffusion type .....	195.00
ESM-01DH-D-SO2	Sensor, Sulfur Dioxide (SO2), 0 - 6 ppm, ESM-01 plug-in type .....	195.00



# Fixed Systems Sensors & Transmitters

## S2 Series Diffusion Sensor / Transmitter

**ORDERING INFORMATION:** All S2 Series pricing includes the sensor and explosion proof housing.



### Explosion Proof S2 Assemblies: Class I, Division 1 Approved

<b>Part#</b>	<b>Description</b>	<b>Suggested Retail</b>
65-2405RK	S2 Series LEL 0-100% sensor (catalytic) / transmitter with explosion proof j-box, UL version, (specify calibration) .....	580.00
65-2405RK-05	S2 Series LEL 0-100% sensor (catalytic) / transmitter with explosion proof j-box, CSA version, (specify calibration) .....	630.00
65-2394RK-CH4	S2 Series IR, Methane (CH4) 0-100% LEL sensor / transmitter with explosion proof j-box.....	995.00
65-2395RK-CH4	S2 Series IR, Methane (CH4) 0-100% volume sensor / transmitter with explosion proof j-box.....	1,095.00
65-2444-500	S2 Series MOS, Hexane (C6H14) 0-500 ppm linearized sensor/transmitter with explosion proof j-box, UL	820.00
65-2444-500-05	S2 Series MOS, Hexane (C6H14) 0-500 ppm linearized sensor/transmitter with explosion proof j-box, CSA	870.00
65-2451RK	S2 Series Hydrogen (H2) specific 0 - 100% LEL sensor/transmitter with explosion proof j-box, UL .....	730.00
65-2451RK-05	S2 Series Hydrogen (H2) specific 0 - 100% LEL sensor/transmitter with explosion proof j-box, CSA.....	780.00
65-2443-500	S2 Series Hydrogen (H2) specific 0 - 500 ppm sensor/transmitter with explosion proof j-box, UL .....	820.00
65-2443-500-05	S2 Series Hydrogen (H2) specific 0 - 500 ppm sensor/transmitter with explosion proof j-box, CSA .....	870.00
65-2443-1000	S2 Series Hydrogen (H2) specific 0 - 1,000 ppm sensor/transmitter with explosion proof j-box, UL .....	820.00
65-2443-1000-05	S2 Series Hydrogen (H2) specific 0 - 1,000 ppm sensor/transmitter with explosion proof j-box, CSA .....	870.00
65-2443-2000	S2 Series Hydrogen (H2) specific 0 - 2,000 ppm sensor/transmitter with explosion proof j-box, UL .....	820.00
65-2443-2000-05	S2 Series Hydrogen (H2) specific 0 - 2,000 ppm sensor/transmitter with explosion proof j-box, CSA .....	870.00
65-2462RK	S2 Series TC, Hydrogen (H2) 0-10% vol sensor / transmitter, explosion proof with j-box .....	1,100.00
65-2394RK-HC	S2 Series IR, Hydrocarbon (HC) 0-100% LEL sensor / transmitter with explosion proof j-box .....	995.00
65-2322RK	S2 Series Capillary type, Oxygen (O2) 0-25 sensor/transmitter, explosion proof with j-box, CSA version ...	650.00
65-2336RK	S2 Series Carbon Monoxide (CO) 0-300 ppm sensor / transmitter, explosion proof with j-box, CSA version	740.00
65-2331RK	S2 Series Hydrogen Sulfide (H2S) 0-100 ppm sensor / transmitter, explosion proof with j-box, CSA version	740.00
65-2333	S2 Series Hydrogen Cyanide (HCN) sensor / transmitter, explosion proof with j-box, CSA version, Available Q4 2022 .....	995.00
65-2396RK-10	S2 Series IR Carbon Dioxide (CO2) 0-100% sensor / transmitter, explosion proof with j-box, UL version ...	995.00
65-2396RK-02	S2 Series IR Carbon Dioxide (CO2) 0-5,000 ppm sensor / transmitter, explosion proof with j-box, UL version .....	995.00
65-2396RK-03	S2 Series IR Carbon Dioxide (CO2) 0-5% sensor / transmitter, explosion proof with j-box, UL version .....	995.00
65-2396RK-05	S2 Series IR Carbon Dioxide (CO2) 0-50% sensor / transmitter, explosion proof with j-box, UL version ...	995.00

Note: **Stainless steel junction box for Direct Connect or S2 Series** can be supplied for an additional \$100.00 upon request instead of standard aluminum junction box. To order stainless junction box, just add 'SS' to the end of the part #.

Example: 61-1000RKSS, or 65-2405RKSS.

### S2 Assemblies, Non Explosion Proof, OK for Class I, Division 2

<b>Part#</b>	<b>Description</b>	<b>Suggested Retail</b>
65-2321RK	S2 Series Oxygen (O2) 0-25% sensor / transmitter, (capillary type) non explosion proof with j-box .....	510.00
65-2320RK	S2 Series Oxygen (O2) 0-25% sensor / transmitter (partial pressure), non explosion proof with j-box .....	520.00
65-2320RK-100	S2 Series Oxygen (O2) 0-100% sensor / transmitter (partial pressure), non explosion proof with j-box ...	520.00
65-2330RK	S2 Series Hydrogen Sulfide (H2S) 0-100 ppm sensor / transmitter, non explosion proof with j-box .....	650.00
65-2335RK	S2 Series Carbon Monoxide (CO) 0-300 ppm sensor / transmitter, non explosion proof with j-box .....	650.00
65-2397RK-02	S2 Series IR Carbon Dioxide (CO2) 0-5,000 ppm, non explosion proof with j-box .....	895.00
65-2397RK-03	S2 Series IR Carbon Dioxide (CO2) 0-5%, non explosion proof with j-box .....	895.00
65-2397RK-05	S2 Series IR Carbon Dioxide (CO2) 0-50%, non explosion proof with j-box.....	895.00
65-2397RK-10	S2 Series IR Carbon Dioxide (CO2) 0-100%, non explosion proof with j-box .....	895.00

## Fixed Systems Sensors & Transmitters

### **S2 Series Diffusion Sensor / Transmitter With CT-7 Toxic Sensor**

#### **Non Explosion Proof, OK for Class I, Division 2**

<b>Part#</b>	<b>Description</b>	<b>Suggested Retail</b>
65-2341-NH3-75	S2 Series Ammonia (NH3) 0 - 75 ppm, CT-7 style sensor / transmitter, non explosion proof with j-box .....	1,095.00
65-2341-NH3-1	S2 Series Ammonia (NH3) 0 - 100 ppm, CT-7 style sensor / transmitter, non explosion proof with j-box .....	1,095.00
65-2341-NH3-2	S2 Series Ammonia (NH3) 0 - 200 ppm, CT-7 style sensor / transmitter, non explosion proof with j-box .....	1,095.00
65-2341-NH3-5	S2 Series Ammonia (NH3) 0 - 500 ppm, CT-7 style sensor / transmitter, non explosion proof with j-box .....	1,095.00
65-2341-CL2-3	S2 Series Chlorine (Cl2) 0 - 3 ppm, CT-7 style sensor / transmitter, non explosion proof with j-box .....	1,095.00
65-2341-CL2-5	S2 Series Chlorine (Cl2) 0 - 5 ppm, CT-7 style sensor / transmitter, non explosion proof with j-box .....	1,095.00
65-2341-CL2-10	S2 Series Chlorine (Cl2) 0 - 10 ppm, CT-7 style sensor / transmitter, non explosion proof with j-box .....	1,095.00
65-2341-CLO2-1	S2 Series Chlorine Dioxide (ClO2) 0 - 1 ppm, CT-7 style sensor / transmitter, non explosion proof with j-box .....	1,095.00
65-2341-CLO2-3	S2 Series Chlorine Dioxide (ClO2) 0 - 3 ppm, CT-7 style sensor / transmitter, non explosion proof with j-box .....	1,095.00
65-2341-CLO2-5	S2 Series Chlorine Dioxide (ClO2) 0 - 5 ppm, CT-7 style sensor / transmitter, non explosion proof with j-box .....	1,095.00
65-2341-HCN-15	S2 Series Hydrogen Cyanide (HCN) 0 - 15 ppm, CT-7 style sensor / transmitter, non explosion proof with j-box .....	895.00
65-2341-SO2-10	S2 Series Sulfur Dioxide (SO2) 0 - 10 ppm, CT-7 style sensor / transmitter, non explosion proof with j-box .....	895.00



### **S2 Series Diffusion Sensor / Transmitter With ESM-01 Toxic Sensor**

#### **Non Explosion Proof, OK for Class I, Division 2**

<b>Part#</b>	<b>Description</b>	<b>Suggested Retail</b>
65-2340RK-NH3	S2 Series Ammonia (NH3) 0-75 ppm sensor / transmitter, non explosion proof with j-box .....	800.00
65-2340RK-ASH3	S2 Series Arsine (AsH3) 0-1.5 ppm sensor / transmitter, non explosion proof with j-box .....	800.00
65-2340RK-HCN	S2 Series Hydrogen Cyanide (HCN) 0-15 ppm sensor / transmitter, non explosion proof with j-box .....	800.00
65-2340RK-PH3	S2 Series Phosphine (PH3) 0-1 ppm sensor / transmitter, non explosion proof with j-box .....	800.00
65-2340RK-SO2	S2 Series Sulfur Dioxide (SO2) 0-6 ppm sensor / transmitter, non explosion proof with j-box .....	800.00



# Fixed Systems Sensors & Transmitters

## **S2 Remote Mount with Calibration Adapter / Splash Guard**

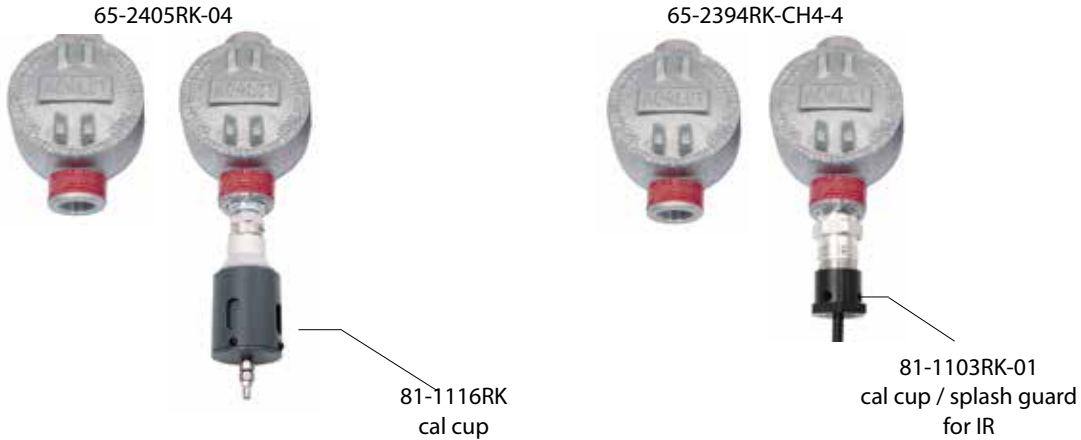
### **Non Explosion Proof, OK for Class I, Division 1**

<b>Part#</b>	<b>Description</b>	<b>Suggested Retail</b>
65-2405RK-04	S2 Series LEL 0-100% sensor (catalytic) / transmitter with j-box, (specify calibration), remote detector and calibration adapter/splash guard .....	720.00
65-2451RK-04	S2 Series Hydrogen (H2) specific 0-100% LEL (catalytic) sensor/transmitter with j-box, remote detector and calibration adapter/splash guard .....	870.00
65-2394RK-CH4-4	S2 Series IR Methane (CH4) 0-100% LEL, sensor / transmitter, with j-box, remote detector and calibration adapter/splash guard .....	1,135.00

Includes diffusion calibration adapter for sample tube connection and extra j-box (S2 and M2 versions).

Includes diffusion calibration adapter / **splash guard** for sample tube connection and extra j-box.

**Note:** Tubing sold separately. Recommended tubing size for standard sensors is 3/16" x 5/16".  
For IR XP sensors use 1/4" ID x 3/8" OD tubing.



# Fixed Systems Sensors & Transmitters

## Replacement Sensors For Explosion Proof S2 Series

<u>Part#</u>	<u>Description</u>	<u>Suggested Retail</u>
61-0140RK	Sensor, LEL combustible (catalytic), direct connection (no transmitter, no j-box), UL version .....	250.00
61-0140RK-05	Sensor, LEL combustible (catalytic), direct connection (no transmitter, no j-box), cCSAus version .....	300.00
61-0190RK-CH4	Sensor, Methane (CH4) 0 - 100% LEL, IR, explosion proof direct connection, 3/4" NPT nipple (no transmitter, no j-box), cULus version .....	700.00
61-5039RK-CH4	Sensor, Methane (CH4) 0-100% LEL, IR, plug-in style .....	400.00
61-0192RK-CH4	Sensor, Methane (CH4) 0 - 100% volume, IR, explosion proof direct connection, 3/4" NPT nipple (no transmitter, no j-box), cULus version .....	700.00
61-0190RK-HC	Sensor, Hydrocarbon (HC) 0 - 100% LEL, IR, isobutane standard calibration, explosion proof direct connection, 3/4" NPT nipple (no transmitter, no j-box), cULus version .....	700.00
61-5039RK-HC	Sensor, Hydrocarbon (HC) 0-100% LEL, IR, plug-in style .....	400.00
NC-6205-01	Sensor, LEL Hydrogen (H2) specific, 1/2 NPT, with guard and silicone resistance, UL version, (no transmitter, no j-box) .....	400.00
NC-6205-05	Sensor, LEL Hydrogen (H2) specific, explosion proof direct connection, with silicone resistance, cCSAus version, (no transmitter, no j-box) .....	450.00
61-0160RK	Sensor, Hydrogen (H2) 0-2,000 ppm, MOS, 1/2 NPT, UL version .....	400.00
TE-7550-01	Sensor, Hydrogen (H2) 0-10% volume, thermal conductivity, 1/2 NPT with guard, UL version .....	750.00
TE-7550-02	Sensor, Hydrogen (H2) 0-10% volume, thermal conductivity, 1/2 NPT without guard, UL version .....	750.00
65-1025RK	Sensor, Oxygen (O2) 0 - 25%, capillary type, plug-in replacement for O2 assembly (65-2514RK & 65-2497RK) .....	140.00
ES-1531-CO	Sensor, Carbon Monoxide (CO) 0 - 300 ppm, plug-in type, CT-7 style, cCSAus version .....	195.00
ES-1537-H2S	Sensor, Hydrogen Sulfide (H2S) 0 - 100 ppm, plug-in type, CT-7 style, cCSAus version .....	195.00
65-2049-01	Sensor, Hydrogen Cyanide (HCN), 0 - 15 ppm, CT-7 style, explosion proof and non explosion proof .....	320.00
61-0191RK-02	Sensor, Carbon Dioxide (CO2) 0 - 5,000 ppm, IR, explosion proof direct connection (no transmitter, no j-box), cULus version .....	700.00
61-0191RK-03	Sensor, Carbon Dioxide (CO2) 0 - 5%, IR, explosion proof direct connection (no transmitter, no j-box), cULus version .....	700.00
61-0191RK-05	Sensor, Carbon Dioxide (CO2) 0 - 50%, IR, explosion proof direct connection (no transmitter, no j-box), cULus version .....	700.00
61-0191RK-10	Sensor, Carbon Dioxide (CO2) 0 - 100%, IR, explosion proof direct connection (no transmitter, no j-box), cULus version .....	700.00



## Replacement Sensors For Non Explosion Proof S2 Series

<u>Part#</u>	<u>Description</u>	<u>Suggested Retail</u>
65-1025RK	Sensor, Oxygen (O2) 0 - 25%, capillary type, plug-in replacement for O2 assembly (65-2514RK & 65-2497RK) .....	140.00
65-2510RK	Sensor, Oxygen (O2) 0 -25%, non explosion proof direct connect, partial pressure type (no transmitter, no j-box) .....	250.00
ES-1537-H2S	Sensor, Hydrogen Sulfide (H2S) 0 - 100 ppm, plug-in type, CT-7 style, cCSAus version .....	195.00
ES-1531-CO	Sensor, Carbon Monoxide (CO) 0 - 300 ppm, plug-in type, CT-7 style, cCSAus version .....	195.00
61-5040RK-02	Sensor, IR Carbon Dioxide (CO2) 0-5,000 ppm, plug-in type, non-explosion proof .....	400.00
61-5040RK-03	Sensor, IR Carbon Dioxide (CO2) 0-5%, plug-in type, non-explosion proof .....	400.00
61-5040RK-05	Sensor, IR Carbon Dioxide (CO2) 0-50%, plug-in type, non-explosion proof .....	400.00
61-5040RK-10	Sensor, IR Carbon Dioxide (CO2) 0-100%, plug-in type, non-explosion proof .....	400.00

## Replacement CT-7 Toxic Sensors for S2 Series

<u>Part#</u>	<u>Description</u>	<u>Suggested Retail</u>
65-2054-01	Sensor, Ammonia (NH3) 0-75 ppm, Sensoric CT-7 style with added membrane .....	450.00
65-2053-01	Sensor, Ammonia (NH3) 0-500 ppm, Sensoric CT-7 style with added membrane .....	450.00
65-2051-01	Sensor, Chlorine (Cl2), 0 - 5 ppm / 0 - 10 ppm, CT-7 style with added membrane .....	450.00
65-2052-01	Sensor, Chlorine Dioxide (ClO2), 0 - 1 ppm / 0 - 3 ppm / 0 - 5 ppm, CT-7 style with added membrane .....	450.00
65-2049-01	Sensor, Hydrogen Cyanide (HCN), 0 - 15 ppm, CT-7 style, explosion proof and non explosion proof .....	320.00
65-2024-01	Sensor, Sulfur Dioxide (SO2), 0 - 10 ppm, CT-7 style with added membrane .....	320.00

# Fixed Systems Sensors & Transmitters

## Replacement ESM-01 Toxic Sensors for S2 Series

<b>Part#</b>	<b>Description</b>	<b>Suggested Retail</b>
ESM-01R-D-NH3	Sensor, Ammonia (NH3), 0 - 75 ppm, ESM-01 plug-in type, for diffusion instruments .....	195.00
ESM-01DH-ASH3	Sensor, Arsine (AsH3), 0 - 1.50 ppm, ESM-01 plug-in type .....	195.00
ESM-01DH-D-HCN	Sensor, Hydrogen Cyanide (HCN), 0 - 15 ppm, ESM-01 plug-in type .....	195.00
ESM-01DH-PH3	Sensor, Phosphine (PH3), 0 - 1.0 ppm, ESM-01 plug-in type .....	195.00
ESM-K01-D-CL2	Sensor, Chlorine (Cl2), 0 - 3 ppm, ESM-01 plug-in diffusion type.....	195.00
ESM-01DH-D-SO2	Sensor, Sulfur Dioxide (SO2), 0 - 6 ppm, ESM-01 plug-in type .....	195.00

# Fixed Systems Sensors & Transmitters

## M2A Series Stand Alone Transmitter

**ORDERING INFORMATION:** All M2A pricing includes the sensor and explosion proof housing.



### Explosion Proof M2A Assemblies: Class I, Division 1 Approved

Part#	Description	Suggested Retail
65-2640RK	M2A, LEL 0-100% sensor (catalytic) / transmitter with j-box, (specify calibration), UL version	1,250.00
65-2640RK-05	M2A, LEL 0-100% sensor (catalytic) / transmitter with j-box, (specify calibration), cCSAus version	1,300.00
65-2647RK	M2A, Methane (CH4) 0-9,000 ppm, sensor / transmitter with j-box	1,325.00
65-2647RK-05	M2A, Methane (CH4) 0-9,000 ppm, sensor / transmitter with j-box, cCSAus version	1,375.00
65-2667RK-CH4	M2A, Methane (CH4) 0-100% LEL, transmitter with plug-in style sensor and j-box, UL 2075 approval	1,800.00
65-2667RK-HC	M2A, Hydrocarbons (HC) LEL 0-100% transmitter with plug-in style sensor and j-box	1,800.00
65-2641RK	M2A, Hydrogen (H2) specific LEL 0-100% sensor (catalytic) / transmitter with j-box, UL version	1,400.00
65-2641RK-05	M2A, Hydrogen (H2) specific LEL 0-100% sensor (catalytic) / transmitter with j-box, CSA version	1,400.00
65-2643RK-05	M2A, Oxygen (O2) 0-25%, sensor / transmitter with j-box, cCSAus version	1,300.00
65-2646RK-05	M2A, Carbon Monoxide (CO) 0-300 ppm, sensor / transmitter with j-box, cCSAus version	1,400.00
65-2645RK-05	M2A, Hydrogen Sulfide (H2S) 0-100 ppm, sensor / transmitter with j-box, cCSAus version	1,400.00
65-2642	M2A, Hydrogen Cyanide (HCN) 0-15 ppm, sensor / transmitter with j-box, cCSAus version, Available Q4 2022	1,600.00
65-2649RK-CH4	M2A, IR Methane (CH4) LEL 0-100% sensor / transmitter, with j-box, cULus version	1,600.00
65-2649RK-HC	M2A, IR Hydrocarbons (isobutane) LEL 0-100% sensor / transmitter with j-box, cULus version	1,600.00
65-2658RK-CH4	M2A, IR Methane (CH4) vol 0-100% sensor / transmitter, with j-box, cULus version	1,700.00
65-2660RK-02	M2A, IR Carbon Dioxide (CO2) 0-5,000 ppm, sensor / transmitter with j-box, cULus version	1,600.00
65-2660RK-03	M2A, IR Carbon Dioxide (CO2) 0-5%, sensor / transmitter with j-box, cULus version	1,600.00
65-2660RK-05	M2A, IR Carbon Dioxide (CO2) 0-50%, sensor / transmitter with j-box, cULus version	1,600.00
65-2660RK-10	M2A, IR Carbon Dioxide (CO2) 0-100%, sensor / transmitter with j-box, cULus version	1,600.00

### Remote Mount M2A with Calibration Adaptor / Splash Guard: Class I, Division 1 Approved

**Note:** Tubing sold separately. Recommended tubing size for standard sensors is 3/16" x 5/16".

For IR XP sensors use 1/4" ID x 3/8" OD tubing.

Part#	Description	Suggested Retail
65-2640RK-04	M2A, LEL 0-100% sensor (catalytic) / transmitter with j-box, (specify calibration), remote detector and calibration adaptor/splash guard, UL version	1,385.00
65-2640RK-05-04	M2A, LEL 0-100% sensor (catalytic) / transmitter with j-box, (specify calibration), remote detector and calibration adaptor/splash guard, cCSAus version	1,460.00
65-2641RK-04	M2A, Hydrogen (H2) specific LEL 0-100% sensor (catalytic) / transmitter with j-box, remote detector and calibration adaptor/splash guard, UL version	1,540.00
65-2643RK-05-04	M2A, Oxygen (O2) 0-25%, sensor / transmitter with j-box, remote detector and calibration adaptor/splash guard, cCSAus version	1,440.00
65-2645RK-05-04	M2A, Hydrogen Sulfide (H2S) 0-100 ppm, sensor / transmitter with j-box, remote detector and calibration adaptor/splash guard, cCSAus version	1,540.00
65-2649RK-CH4-4	M2A, IR Methane (CH4) LEL 0-100% sensor / transmitter with j-box, remote detector and calibration adaptor/splash guard, cULus version	1,740.00
65-2649RK-HC-04	M2A, IR Hydrocarbons (isobutane) LEL 0-100% sensor / transmitter with j-box, remote detector and calibration adaptor/splash guard, cULus version	1,740.00
65-2658RK-CH4-4	M2A, IR Methane (CH4) vol 0-100% sensor / transmitter, with j-box, remote detector and calibration adaptor/splash guard, cULus version	1,840.00

65-2640RK-04



81-1116RK  
cal cup

65-2649RK-CH4-4



81-1103RK-01  
cal cup / splash guard for IR

# Fixed Systems Sensors & Transmitters

## Non Explosion Proof M2A Assemblies with CT-7 Sensors: OK For Class I, Division 2

<u>Part#</u>	<u>Description</u>	<u>Suggested Retail</u>
65-2670-NH3-75	M2A, Ammonia (NH3) 0 - 75 ppm, CT-7 style sensor / transmitter, non explosion proof with j-box .....	1,600.00
65-2670-NH3-1	M2A, Ammonia (NH3) 0 - 100 ppm, CT-7 style sensor / transmitter, non explosion proof with j-box .....	1,600.00
65-2670-NH3-2	M2A, Ammonia (NH3) 0 - 200 ppm, CT-7 style sensor / transmitter, non explosion proof with j-box .....	1,600.00
65-2670-NH3-5	M2A, Ammonia (NH3) 0 - 500 ppm, CT-7 style sensor / transmitter, non explosion proof with j-box .....	1,600.00
65-2663RK	M2A, Carbon Monoxide (CO) 0-300 ppm, CT-7 style sensor / transmitter with j-box, non explosion proof .....	1,350.00
65-2670-CL2-3	M2A, Chlorine (Cl2) 0 - 3 ppm, CT-7 style sensor / transmitter, non explosion proof with j-box .....	1,600.00
65-2670-CL2-5	M2A, Chlorine (Cl2) 0 - 5 ppm, CT-7 style sensor / transmitter, non explosion proof with j-box .....	1,600.00
65-2670-CL2-10	M2A, Chlorine (Cl2) 0 - 10 ppm, CT-7 style sensor / transmitter, non explosion proof with j-box .....	1,600.00
65-2670-CLO2-1	M2A, Chlorine Dioxide (ClO2) 0 - 1 ppm, CT-7 style sensor / transmitter, non explosion proof with j-box .....	1,600.00
65-2670-CLO2-3	M2A, Chlorine Dioxide (ClO2) 0 - 3 ppm, CT-7 style sensor / transmitter, non explosion proof with j-box .....	1,600.00
65-2670-HCN-15	M2A, Hydrogen Cyanide (HCN) 0 - 15 ppm, CT-7 style sensor / transmitter, non explosion proof with j-box .....	1,550.00
65-2662RK	M2A, Hydrogen Sulfide (H2S) 0-100 ppm, CT-7 style sensor / transmitter with j-box, non explosion proof .....	1,350.00
65-2670-SO2-10	M2A, Sulfur Dioxide (SO2) 0 - 10 ppm, CT-7 style sensor / transmitter, non explosion proof with j-box .....	1,550.00



## Non Explosion Proof M2A Assemblies: OK For Class I, Division 2

<u>Part#</u>	<u>Description</u>	<u>Suggested Retail</u>
65-2644RK	M2A, Oxygen (O2) 0-25%, sensor / transmitter with j-box, partial pressure sensor .....	1,200.00
65-2648RK-ASH3	M2A, Arsine (AsH3) 0-1.5 ppm, transmitter, ESM-01 style sensor with j-box .....	1,450.00
65-2648RK-HCN	M2A, Hydrogen Cyanide (HCN) 0-15 ppm, transmitter, ESM-01 style sensor with j-box .....	1,450.00
65-2648RK-NH3	M2A, Ammonia (NH3) 0-75 ppm, transmitter, ESM-01 style sensor with j-box .....	1,450.00
65-2648RK-PH3	M2A, Phosphine (PH3) 0-1 ppm, transmitter, ESM-01 style sensor with j-box .....	1,450.00
65-2648RK-SO2	M2A, Sulfur Dioxide (SO2) 0-6 ppm, transmitter, ESM-01 style sensor with j-box .....	1,450.00
65-2661RK-02	M2A, IR Carbon Dioxide (CO2) 0-5,000 ppm, sensor / transmitter, non explosion proof with j-box .....	1,500.00
65-2661RK-03	M2A, IR Carbon Dioxide (CO2) 0-5%, sensor / transmitter, non explosion proof with j-box .....	1,500.00
65-2661RK-05	M2A, IR Carbon Dioxide (CO2) 0-50%, sensor / transmitter, non explosion proof with j-box .....	1,500.00
65-2661RK-10	M2A, IR Carbon Dioxide (CO2) 0-100%, sensor / transmitter, non explosion proof with j-box .....	1,500.00
65-2666RK	M2A, Oxygen (O2) 0 - 25% sensor (capillary type) / transmitter with j-box (non explosion proof) .....	1,240.00



# Fixed Systems Sensors & Transmitters

## Calibration Kits

Instrument #	Cal-Kit Part #	Cal-Kit Description	Price
65-2302-CL2 65-2302-CL2-10 65-2302-CLO2 65-2303-CL2 65-2303-CL2-10 65-2303-CLO2 65-2341-CL2 65-2341-CL2-10 65-2341-CLO2 65-2670RK-CL2 65-2670RK-CL210 65-2670RK-CLO2	81-F605	Cal kit, fixed, 58AL cyl 2 ppm Chlorine in N2, reg with gauge & knob, cal cup, screwdriver, case & tubing	590.00
	81-F605-LV	Cal kit, fixed, 34AL cyl 2 ppm Chlorine in N2, reg with gauge & knob, cal cup, screwdriver, case & tubing	510.00
65-2302-NH3-5 65-2303-NH3-5 65-2341-NH3-5 65-2670-NH3-5 65-2670-NH3-5-4	81-F504RK	Cal kit, fixed, 58AL cyl Ammonia 50 ppm in N2, reg with gauge & knob, cal cup for CT7 sensor, screwdriver, case & tubing	595.00
65-2303-HCN-15 65-2341-HCN-15 65-2670-HCN-15	81-F822RK	Cal kit, fixed, 58AL cyl 10 ppm Hydrogen Cyanide in N2, reg with gauge & knob, cal cup for CT 7 sensor, screwdriver, case & tubing	525.00

## Replacement Sensors For Explosion Proof M2A Series

<u>Part#</u>	<u>Description</u>	<u>Suggested Retail</u>
61-0140RK-05	Sensor, LEL combustible (catalytic), direct connection (no transmitter, no j-box), cCSAus version .....	300.00
61-0190RK-CH4	Sensor, Methane (CH4) 0 - 100% LEL, IR, explosion proof direct connection, 3/4" NPT nipple (no transmitter, no j-box), cULus version .....	700.00
61-0190RK-HC	Sensor, Hydrocarbon (HC) 0 - 100% LEL, IR, isobutane standard calibration, explosion proof direct connection, 3/4" NPT nipple (no transmitter, no j-box), cULus version .....	700.00
ES-1537-H2S	Sensor, Hydrogen Sulfide (H2S) 0 - 100 ppm, plug-in type, CT-7 style, cCSAus version .....	195.00
61-0140RK	Sensor, LEL combustible (catalytic), direct connection (no transmitter, no j-box), UL version .....	250.00
65-1025RK	Sensor, Oxygen (O2) 0 - 25%, capillary type, plug-in replacement for O2 assembly (65-2514RK & 65-2497RK) .....	140.00
61-0191RK-02	Sensor, Carbon Dioxide (CO2) 0 - 5,000 ppm, IR, explosion proof direct connection (no transmitter, no j-box), cULus version .....	700.00
61-0191RK-03	Sensor, Carbon Dioxide (CO2) 0 - 5%, IR, explosion proof direct connection (no transmitter, no j-box), cULus version .....	700.00
NC-6205-01	Sensor, LEL Hydrogen (H2) specific, 1/2 NPT, with guard and silicone resistance, UL version, (no transmitter, no j-box) .....	400.00
NC-6205-05	Sensor, LEL Hydrogen (H2) specific, explosion proof direct connection, with silicone resistance, cCSAus version, (no transmitter, no j-box) .....	450.00
61-0191RK-05	Sensor, Carbon Dioxide (CO2) 0 - 50%, IR, explosion proof direct connection (no transmitter, no j-box), cULus version .....	700.00
61-0191RK-10	Sensor, Carbon Dioxide (CO2) 0 - 100%, IR, explosion proof direct connection (no transmitter, no j-box), cULus version .....	700.00
ES-1531-CO	Sensor, Carbon Monoxide (CO) 0 - 300 ppm, plug-in type, CT-7 style, cCSAus version .....	195.00
61-0192RK-CH4	Sensor, Methane (CH4) 0 - 100% volume, IR, explosion proof direct connection, 3/4" NPT nipple (no transmitter, no j-box), cULus version .....	700.00
61-0140RKA	Sensor, PPM and low LEL combustible (catalytic), direct connection (no transmitter, no j-box) .....	300.00
61-0140RKA-05	Sensor, PPM and low LEL combustible (catalytic), direct connection (no transmitter, no j-box), cCSAus version .....	350.00
61-5039RK-HC	Sensor, Hydrocarbon (HC) 0-100% LEL, IR, plug-in style .....	400.00
61-5039RK-CH4	Sensor, Methane (CH4) 0-100% LEL, IR, plug-in style .....	400.00





# Fixed Systems Sensors & Transmitters

## Replacement Sensors For Non Explosion Proof M2A Series

<b>Part#</b>	<b>Description</b>	<b>Suggested Retail</b>
65-1025RK	Sensor, Oxygen (O2) 0 - 25%, capillary type, plug-in replacement for O2 assembly (65-2514RK & 65-2497RK) .....	140.00
65-2510RK	Sensor, Oxygen (O2) 0 -25%, non explosion proof direct connect, partial pressure type (no transmitter, no j-box) .....	250.00
ES-1537-H2S	Sensor, Hydrogen Sulfide (H2S) 0 - 100 ppm, plug-in type, CT-7 style, cCSAus version .....	195.00
ES-1531-CO	Sensor, Carbon Monoxide (CO) 0 - 300 ppm, plug-in type, CT-7 style, cCSAus version .....	195.00
61-5040RK-02	Sensor, IR Carbon Dioxide (CO2) 0-5,000 ppm, plug-in type, non-explosion proof .....	400.00
61-5040RK-03	Sensor, IR Carbon Dioxide (CO2) 0-5%, plug-in type, non-explosion proof.....	400.00
61-5040RK-05	Sensor, IR Carbon Dioxide (CO2) 0-50%, plug-in type, non-explosion proof .....	400.00
61-5040RK-10	Sensor, IR Carbon Dioxide (CO2) 0-100%, plug-in type, non-explosion proof.....	400.00



## Replacement CT-7 Toxic Sensors for M2A Series

<b>Part#</b>	<b>Description</b>	<b>Suggested Retail</b>
65-2054-01	Sensor, Ammonia (NH3) 0-75 ppm, Sensoric CT-7 style with added membrane .....	450.00
65-2053-01	Sensor, Ammonia (NH3) 0-500 ppm, Sensoric CT-7 style with added membrane .....	450.00
65-2051-01	Sensor, Chlorine (Cl2), 0 - 5 ppm / 0 - 10 ppm, CT-7 style with added membrane .....	450.00
65-2052-01	Sensor, Chlorine Dioxide (ClO2), 0 - 1 ppm / 0 - 3 ppm / 0 - 5 ppm, CT-7 style with added membrane.....	450.00
65-2049-01	Sensor, Hydrogen Cyanide (HCN), 0 - 15 ppm, CT-7 style, explosion proof and non explosion proof .....	320.00
65-2024-01	Sensor, Sulfur Dioxide (SO2), 0 - 10 ppm, CT-7 style with added membrane .....	320.00



## Replacement ESM-01 Toxic Sensors For Non Explosion Proof M2A Series

<b>Part#</b>	<b>Description</b>	<b>Suggested Retail</b>
ESM-01R-D-NH3	Sensor, Ammonia (NH3), 0 - 75 ppm, ESM-01 plug-in type, for diffusion instruments .....	195.00
ESM-01DH-ASH3	Sensor, Arsine (AsH3), 0 - 1.50 ppm, ESM-01 plug-in type .....	195.00
ESM-01DH-D-HCN	Sensor, Hydrogen Cyanide (HCN), 0 - 15 ppm, ESM-01 plug-in type .....	195.00
ESM-01DH-PH3	Sensor, Phosphine (PH3), 0 - 1.0 ppm, ESM-01 plug-in type .....	195.00
ESM-01DH-D-SO2	Sensor, Sulfur Dioxide (SO2), 0 - 6 ppm, ESM-01 plug-in type .....	195.00
ESM-K01-D-CL2	Sensor, Chlorine (Cl2), 0 - 3 ppm, ESM-01 plug-in diffusion type.....	195.00



# Fixed Systems Sensors & Transmitters

## M2A Replacement Parts & Accessories

<b>Part#</b>	<b>Description</b>	<b>Suggested Retail</b>
49-4000RK	AC Power supply assembly for M2/M2A, input 100 VAC to 240 VAC, output 24 VDC, 0.5 amp, mounted in 18-0400RK .....	195.00
49-4000RK-SS	AC Power supply assembly for M2/M2A stainless steel housing, input 100 VAC to 240 VAC, output 24 VDC, 0.5 amp, mounted in 18-0416RK-11 .....	295.00
57-0075RK	Display assembly, LCD for M2 smart transmitter/Beacon 110 .....	90.00
57-0150RK	Display assembly, OLED for M2A .....	90.00
82-0101RK	Magnetic wand, for M2A/T2A/T3A/VOC Pro/Air Alert/AirLink Transmitters .....	15.00

## M2A Replacement Transmitters for Use with OLED Display

<b>Part#</b>	<b>Description</b>	<b>Suggested Retail</b>
57-1280RK-01	Terminal/relay board, potted, oxygen, M2A Transmitter, standard for OLED display .....	380.00
57-1280RK-02	Terminal/relay board, potted, CO, M2A Transmitter, standard for OLED display .....	380.00
57-1280RK-03	Terminal/relay board, potted, H2S, M2A Transmitter, standard for OLED display .....	380.00
57-1280RK-04	Terminal/relay board, potted, ASH3, M2A Transmitter, standard for OLED display .....	380.00
57-1280RK-06	Terminal/relay board, potted, NH3, M2A Transmitter, standard for OLED display .....	380.00
57-1280RK-08	Terminal/relay board, potted, pH3, M2A Transmitter, standard for OLED display .....	380.00
57-1280RK-09	Terminal/relay board, potted, SO2, M2A Transmitter, standard for OLED display .....	380.00
57-1280RK-11	Terminal/relay board, potted, HCN, M2A Transmitter, standard for OLED display .....	380.00
57-1281RK-01	Terminal/relay board, potted, LEL, M2A Transmitter, specify calibration gas, standard for OLED display ...	380.00
57-1281RK-02	Terminal/relay board, potted, LEL,H2 specific, M2A Transmitter, standard for OLED display .....	380.00
57-1281RK-05	Terminal/relay board, potted, LEL,IR HC sensor, M2A Transmitter, standard for OLED display .....	380.00
57-1281RK-06	Terminal/relay board, potted, IR CO2 sensor, 0 - 5,000 ppm, M2A Transmitter, standard for OLED display .....	380.00
57-1281RK-07	Terminal/relay board, potted, IR CO2 sensor, 0 - 5%, M2A Transmitter, standard for OLED display .....	380.00
57-1281RK-08	Terminal/relay board, potted, IR CO2 sensor, 0 - 50%, M2A Transmitter, standard for OLED display .....	380.00
57-1281RK-09	Terminal/relay board, potted, IR CO2 sensor, 0 - 100%, M2A Transmitter, standard for OLED display .....	380.00
57-1281RK-11	Terminal/relay board, potted, IR CH4 sensor, 0 - 100% volume, M2A Transmitter, standard for OLED display	380.00

## M2A Replacement Transmitters for Use with LCD Display (replacement for M2)

<b>Part#</b>	<b>Description</b>	<b>Suggested Retail</b>
57-1280RK-101	Terminal/relay board, potted, oxygen, M2A Transmitter for LCD display, for M2 replacement .....	380.00
57-1280RK-102	Terminal/relay board, potted, CO, M2A Transmitter for LCD display, for M2 replacement .....	380.00
57-1280RK-103	Terminal/relay board, potted, H2S, M2A Transmitter for LCD display, for M2 replacement .....	380.00
57-1280RK-104	Terminal/relay board, potted, ASH3, M2A Transmitter for LCD display, for M2 replacement .....	380.00
57-1280RK-106	Terminal/relay board, potted, NH3, M2A Transmitter for LCD display, for M2 replacement .....	380.00
57-1280RK-108	Terminal/relay board, potted, pH3, M2A Transmitter for LCD display, for M2 replacement .....	380.00
57-1280RK-109	Terminal/relay board, potted, SO2, M2A Transmitter for LCD display, for M2 replacement .....	380.00
57-1280RK-111	Terminal/relay board, potted, HCN, M2A Transmitter for LCD display, for M2 replacement .....	380.00
57-1281RK-101	Terminal/relay board, potted, LEL, M2A Transmitter for LCD display, specify cal gas _____, for M2 replacement .....	380.00
57-1281RK-102	Terminal/relay board, potted, LEL,H2 specific, M2A Transmitter for LCD Display, for M2 replacement .....	380.00
57-1281RK-105	Terminal/relay board, potted, LEL,IR HC sensor, M2A Transmitter for LCD Display, for M2 replacement ...	380.00
57-1281RK-106	Terminal/relay board, potted, IR CO2 sensor, 0 - 5,000 ppm, M2A Transmitter for LCD Display, for M2 replacement .....	380.00
57-1281RK-107	Terminal/relay board, potted, IR CO2 sensor, 0 - 5%, M2A Transmitter for LCD Display, for M2 replacement .....	380.00
57-1281RK-108	Terminal/relay board, potted, IR CO2 sensor, 0 - 50%, M2A Transmitter for LCD Display, for M2 replacement .....	380.00
57-1281RK-109	Terminal/relay board, potted, IR CO2 sensor, 0 - 100%, M2A Transmitter for LCD Display, for M2 replacement .....	380.00
57-1281RK-111	Terminal/relay board, potted, IR CH4 sensor, 0 - 100% volume, M2A Transmitter for LCD Display, for M2 replacement .....	380.00

## Fixed Systems Sensors & Transmitters

### ***MPS LEL Variable Combustible Gas Sensor (Molecular Property Spectrometer)***

<b>Part#</b>	<b>Description</b>	<b>Suggested Retail</b>
61-0230	LEL, MPS type sensor, 3/4 inch NPT .....	700.00
61-1020	LEL, Direct Connect, MPS type detector with XP J-Box .....	800.00
65-2380	LEL, S2, MPS type sensor/transmitter/XP J-Box.....	1,000.00
65-2650RK	LEL, M2A, MPS type sensor/transmitter with J-Box .....	1,400.00
81-FMPS-CH4	Cal kit, fixed, MPS sensor, CH4 50% LEL in real air (CO2 0.04% / Ar 0.91% / O2 20.43% balance N2), 103 liter steel, regulator, screwdriver, case & tubing .....	395.00



# Fixed Systems Sensors & Transmitters

## T2A Series 2-Wire Transmitter

- Explosion Proof, Class I, Division 1 for CO, H2S, O2, HCN, PH3, and SO2
- Class I, Division 2 for all other gases
- Loop Powered
- 4-20 mA output



Part#	Description	Suggested Retail
66-6206-07	T2A sensor/transmitter with j-box, Ammonia (NH3), 0-75 ppm .....	1,645.00
66-6206-10	T2A sensor/transmitter with j-box, Ammonia (NH3), 0-100 ppm .....	1,645.00
66-6206-10L	T2A sensor/transmitter with j-box, Ammonia (NH3), 0-100 ppm, long life, low humidity .....	1,840.00
66-6206-20	T2A sensor/transmitter with j-box, Ammonia (NH3), 0-200 ppm .....	1,645.00
66-6206-30	T2A sensor/transmitter with j-box, Ammonia (NH3), 0-300 ppm .....	1,645.00
66-6206-40	T2A sensor/transmitter with j-box, Ammonia (NH3), 0-400 ppm .....	1,645.00
66-6206-50	T2A sensor/transmitter with j-box, Ammonia (NH3), 0-500 ppm .....	1,645.00
66-6206-1K	T2A sensor/transmitter with j-box, Ammonia (NH3), 0-1000 ppm .....	1,645.00
66-6268-01	T2A sensor/transmitter with j-box, Arsine (AsH3), 0-1.0 ppm .....	2,230.00
66-6201-03	T2A sensor/transmitter with j-box, Carbon Monoxide (CO), 0-300 ppm .....	1,490.00
66-6201-05	T2A sensor/transmitter with j-box, Carbon Monoxide (CO), 0-500 ppm .....	1,490.00
66-6201-1K	T2A sensor/transmitter with j-box, Carbon Monoxide (CO), 0-1000 ppm .....	1,490.00
66-6212-03	T2A sensor/transmitter with j-box, Chlorine (Cl2), 0-3 ppm .....	1,645.00
66-6212-10	T2A sensor/transmitter with j-box, Chlorine (Cl2), 0-10 ppm .....	1,645.00
66-6212-20	T2A sensor/transmitter with j-box, Chlorine (Cl2), 0-20 ppm .....	1,645.00
66-6213-01	T2A sensor/transmitter with j-box, Chlorine Dioxide (ClO2), 0-1 ppm .....	1,645.00
66-6213-05	T2A sensor/transmitter with j-box, Chlorine Dioxide (ClO2), 0-5 ppm .....	1,645.00
66-6216-10	T2A sensor/transmitter with j-box, Ethylene Oxide (ETO), 0-10 ppm .....	2,095.00
66-6211-10	T2A sensor/transmitter with j-box, Formaldehyde (HCHO), 0-10 ppm .....	2,095.00
66-6239-40	T2A sensor/transmitter with j-box, Hydrogen (H2), 0-100% LEL (0-4% vol), EC sensor type .....	2,095.00
66-6204-20	T2A sensor/transmitter with j-box, Hydrogen Chloride (HCl), 0-20 ppm .....	1,645.00
66-6204-30	T2A sensor/transmitter with j-box, Hydrogen Chloride (HCl), 0-30 ppm .....	1,645.00
66-6204-99	T2A sensor/transmitter with j-box, Hydrogen Chloride (HCl), 0-100 ppm .....	1,645.00
66-6205-15	T2A sensor/transmitter with j-box, Hydrogen Cyanide (HCN), 0-15 ppm .....	1,645.00
66-6205-30	T2A sensor/transmitter with j-box, Hydrogen Cyanide (HCN), 0-30 ppm .....	1,645.00
66-6205-50	T2A sensor/transmitter with j-box, Hydrogen Cyanide (HCN), 0-50 ppm .....	1,645.00
66-6214-10	T2A sensor/transmitter with j-box, Hydrogen Fluoride (HF), 0-10 ppm .....	2,095.00
66-6203-01	T2A sensor/transmitter with j-box, Hydrogen Sulfide (H2S), 0-10 ppm .....	1,490.00
66-6203-02	T2A sensor/transmitter with j-box, Hydrogen Sulfide (H2S), 0-25 ppm .....	1,490.00
66-6203-05	T2A sensor/transmitter with j-box, Hydrogen Sulfide (H2S), 0-50 ppm .....	1,490.00
66-6203-10	T2A sensor/transmitter with j-box, Hydrogen Sulfide (H2S), 0-100 ppm .....	1,490.00
66-6203-50	T2A sensor/transmitter with j-box, Hydrogen Sulfide (H2S), 0-500 ppm .....	1,490.00
66-6203-2K	T2A sensor/transmitter with j-box, Hydrogen Sulfide (H2S), 0-2000 ppm .....	1,490.00
66-6207-25	T2A sensor/transmitter with j-box, Nitric Oxide (NO), 0-250 ppm .....	1,645.00
66-6208-20	T2A sensor/transmitter with j-box, Nitrogen Dioxide (NO2), 0-20 ppm .....	1,645.00
66-6202-25	T2A sensor/transmitter with j-box, Oxygen (O2) capillary, 0-25% .....	1,645.00
66-6209-05	T2A sensor/transmitter with j-box, Ozone (O3), 0-5 ppm .....	1,645.00
66-6209-99	T2A sensor/transmitter with j-box, Ozone (O3), 0-100 ppm .....	1,645.00
66-6215-05	T2A sensor/transmitter with j-box, Phosphine (PH3), 0-5 ppm .....	2,230.00
66-6210-20	T2A sensor/transmitter with j-box, Sulfur Dioxide (SO2), 0-20 ppm .....	1,645.00

# Fixed Systems Sensors & Transmitters

## **T2A Calibration Kits**

Instrument #	Cal-Kit Part #	Cal-Kit Description	Price
Chlorine	81-T1203-LV	Cal kit, T2A/T3A, 34AL cyl Cl2 2 ppm in N2, regulator, case, XP cal cup, and tubing	605.00
	81-T1220-LV	Cal kit, T2A/T3A, 34AL cyl Cl2 5 ppm in N2, regulator, case, XP cal cup, and tubing	605.00
HydrogenChloride	81-T0430-LV	Cal kit, T2A/T3A, 34AL cyl HCl 5 ppm in N2, regulator, case, XP cal cup, and tubing	685.00
HydrogenCyanide	81-T1410-LV	Cal kit, T2A/T3A, 34AL cyl HCN 10 ppm in N2, regulator, case, XP cal cup, and tubing	605.00
HydrogenSulfide	81-T0310-LV	Cal kit, T2A/T3A, 34AL cyl H2S 25 ppm in N2, regulator, case, XP cal cup, and tubing	515.00
Isobutane LEL	81-T6310-LV	Cal kit, T2A/T3A, 34L cyl isobutane in air, regulator, case, XP cal cup, and tubing	440.00
Methane LEL	81-T4010	Cal kit, T3A, 103L cyl Methane 50% LEL in air, regulator, case, XP cal cup, and tubing	495.00
	81-T4010-LV	Cal kit, T3A, 34L cyl Methane 50% LEL in air, regulator, case, XP cal cup, and tubing	440.00
NitricOxide	81-T0725-LV	Cal kit, T2A/T3A, 34AL cyl NO 25 ppm in N2, regulator, case, XP cal cup, and tubing	645.00
Phosphine	81-T1505-LV	Cal kit, T2A/T3A, 34AL cyl PH3 0.5 ppm in N2, regulator, case, XP cal cup, and tubing	645.00
Propane LEL	81-T5310	Cal kit, T3A, 103L cyl Propane 50% LEL in air, regulator, case, XP cal cup, and tubing	495.00
	81-T5310-LV	Cal kit, T3A, 34L cyl Propane 50% LEL in air, regulator, case, XP cal cup, and tubing	440.00

## **Replacement Parts and Accessories for T2A**

<u>Part#</u>	<u>Description</u>	<u>Suggested Retail</u>
30-0960	Flow through adapter for T2A/T3A/VOC Pro/AirLink products with aspirator and brass fittings .....	500.00
30-0960-01	Flow through adapter for T2A/T3A/VOC Pro/AirLink products with brass fittings only .....	160.00
30-0960-02	Flow through adapter for T2A/T3A/VOC Pro/AirLink products with flow meter and brass fittings .....	300.00
30-0960-03	Flow through adapter for T2A/T3A/VOC Pro/AirLink products with flow meter, valve, and brass fittings...	340.00
47-5110-7-XX	Cable with 7-pin connector to remote mount sensor (battery powered) for explosion proof and non-explosion proof, price per foot (specify length in place of -XX) .....	7.20
61-2003	Remote sensor mounting kit, explosion proof with 7-pin connector for T2A/AirLink 6900/AirLink 6940XP (order cable separate) .....	410.00
81-1183	Cal cup with 3 ft 1/8" ID x 1/4" OD teflon tubing for T2A/T3A/VOC Pro/AirLink 6900 type detectors .....	160.00
81-1184	Rain guard for T2A/T3A/VOC Pro type explosion proof detector.....	20.00
82-0101RK	Magnetic wand, for M2A/T2A/T3A/VOC Pro/Air Alert/AirLink Transmitters .....	15.00

# Fixed Systems Sensors & Transmitters

## T2A Replacement Sensors

<b>Part#</b>	<b>Description</b>	<b>Suggested Retail</b>
66-0006-2	Sensor, Ammonia (NH3) high range, covers full scale from 200 to 1000 ppm, Semeatech, EC type .....	350.00
66-0006L-1	Sensor, Ammonia (NH3) long life, low humidity for up to 100 ppm full scale, Semeatech, EC type .....	370.00
66-0006N-1	Sensor, Ammonia (NH3) for up to 100 ppm full scale, Nemoto, EC type .....	370.00
66-0006N-2	Sensor, Ammonia (NH3) covers full scale between 200 and 1000 ppm, Nemoto, EC type .....	370.00
66-0068	Sensor, Arsine (AsH3) 0 - 1 ppm, EC type .....	935.00
66-0001	Sensor, Carbon Monoxide (CO) covers full scale up to 0 - 1000 ppm, EC type .....	195.00
66-0012	Sensor, Chlorine (Cl2) covers full scale up to 20 ppm, EC type .....	350.00
66-0013	Sensor, Chlorine Dioxide (ClO2) covers full scale up to 5 ppm, EC type .....	350.00
66-0016	Sensor, Ethylene Oxide (ETO) 0 - 10 ppm, EC type .....	800.00
66-0011	Sensor, Formaldehyde (HCHO) 0 - 10 ppm, EC type .....	800.00
66-0039	Sensor, Hydrogen (H2) 0 - 100% LEL (0-4% vol), EC type .....	800.00
66-0004	Sensor, Hydrogen Chloride (HCl) covers full scale up to 100 ppm, EC type .....	350.00
66-0005	Sensor, Hydrogen Cyanide (HCN) 0 - 50 ppm, EC type .....	350.00
66-0014	Sensor, Hydrogen Fluoride (HF) 0 - 10 ppm, EC type .....	800.00
66-0003-1	Sensor, Hydrogen Sulfide (H2S) 0 - 100 ppm, EC type .....	195.00
66-0003-2	Sensor, Hydrogen Sulfide (H2S) covers full scale from 200 ppm to 2000 ppm, EC type .....	350.00
66-0007	Sensor, Nitric Oxide (NO) covers full scale up to 250 ppm, EC type .....	350.00
66-0008	Sensor, Nitrogen Dioxide (NO2) 0 - 20 ppm, EC type .....	350.00
66-0002	Sensor, Oxygen (O2) 0 - 25 % volume, capillary type .....	350.00
66-0009-1	Sensor, Ozone (O3) 0 - 5 ppm, EC type .....	350.00
66-0009-2	Sensor, Ozone (O3) high range sensor covers full scale from 10 ppm to 100 ppm, EC type .....	350.00
66-0015	Sensor, Phosphine (PH3) 0 - 5 ppm, EC type .....	935.00
66-0010	Sensor, Sulfur Dioxide (SO2) 0 - 20 ppm, EC type .....	350.00

# Fixed Systems Sensors & Transmitters

## T2A Sensors Assemblies

<b>Part#</b>	<b>Description</b>	<b>Suggested Retail</b>
66-1006-1-07	Sensor assembly for Ammonia (NH3), Low range, 0 - 75 ppm, EC type, XP Division 2, 7 pin	750.00
66-1006-1-10	Sensor assembly for Ammonia (NH3), Low range, 0 - 100 ppm, EC type, XP Division 2, 7 pin	750.00
66-1006-1-10L	Sensor assembly for Ammonia (NH3), low humidity, low range, 0 - 100 ppm, EC type, XP Division 2, 7 pin	750.00
66-1006-2-20	Sensor assembly for Ammonia (NH3), High range 0 - 200 ppm, EC type, XP Division 2, 7 pin	750.00
66-1006-2-40	Sensor assembly for Ammonia (NH3), High range 0 - 400 ppm, EC type, XP Division 2, 7 pin	750.00
66-1006-2-50	Sensor assembly for Ammonia (NH3), High range 0 - 500 ppm, EC type, XP Division 2, 7 pin	750.00
66-1006-2-99	Sensor assembly for Ammonia (NH3), High range 0 - 1000 ppm, EC type, XP Division 2, 7 pin	750.00
66-1068-01	Sensor assembly for Arsine (AsH3) 0 - 1 ppm, EC type, XP Division 2, 7 pin	1,335.00
66-1001-03	Sensor assembly for Carbon Monoxide (CO) 0 - 300 ppm, EC type, XP Division 1, 7 pin	595.00
66-1001-05	Sensor assembly for Carbon Monoxide (CO) 0 - 500 ppm, EC type, XP Division 1, 7 pin	595.00
66-1001-10	Sensor assembly for Carbon Monoxide (CO) 0 - 1000 ppm, EC type, XP Division 1, 7 pin	595.00
66-1012-03	Sensor assembly for Chlorine (Cl2) 0 - 3 ppm, EC type, XP Division 2, 7 pin	750.00
66-1012-10	Sensor assembly for Chlorine (Cl2) 0 - 10 ppm, EC type, XP Division 2, 7 pin	750.00
66-1012-20	Sensor assembly for Chlorine (Cl2) 0 - 20 ppm, EC type, XP Division 2, 7 pin	750.00
66-1013-01	Sensor assembly for Chlorine Dioxide (ClO2) 0 - 1 ppm, EC type, XP Division 2, 7 pin	750.00
66-1013-05	Sensor assembly for Chlorine Dioxide (ClO2) covers full scale up to 0 - 5 ppm, EC type, XP Division 2, 7 pin	750.00
66-1016-10	Sensor assembly for Ethylene Oxide (ETO) 0 - 10 ppm, EC type, XP Division 2, 7 pin	1,200.00
66-1011-10	Sensor assembly for Formaldehyde (HCHO) 0 - 10 ppm, EC type, XP Division 2, 7 pin	1,200.00
66-1039-40	Sensor assembly for Hydrogen (H2) 0 - 100% LEL (0-4% vol), EC type, XP Division 1, 7 pin	1,200.00
66-1004-20	Sensor assembly for Hydrogen Chloride (HCl) 0 - 20 ppm, EC type, XP Division 2, 7 pin	750.00
66-1004-30	Sensor assembly for Hydrogen Chloride (HCl) 0 - 30 ppm, EC type, XP Division 2, 7 pin	750.00
66-1004-99	Sensor assembly for Hydrogen Chloride (HCl) 0 - 100 ppm, EC type, XP Division 2, 7 pin	750.00
66-1005-15	Sensor assembly for Hydrogen Cyanide (HCN) 0 - 15 ppm, EC type, XP Division 2, 7 pin	750.00
66-1005-30	Sensor assembly for Hydrogen Cyanide (HCN) 0 - 30 ppm, EC type, XP Division 2, 7 pin	750.00
66-1005-50	Sensor assembly for Hydrogen Cyanide (HCN) 0 - 50 ppm, EC type, XP Division 2, 7 pin	750.00
66-1014-10	Sensor assembly for Hydrogen Fluoride (HF) 0 - 10 ppm, EC type, XP Division 2, 7 pin	1,200.00
66-1016-10	Sensor assembly for Ethylene Oxide (ETO) 0 - 10 ppm, EC type, XP Division 2, 7 pin	1,200.00
66-1003-1-01	Sensor assembly for Hydrogen Sulfide (H2S) Low Range, 0 - 10 ppm, EC type, XP Division 1, 7 pin	595.00
66-1003-1-02	Sensor assembly for Hydrogen Sulfide (H2S) Low Range, 0 - 25 ppm, EC type, XP Division 1, 7 pin	595.00
66-1003-1-05	Sensor assembly for Hydrogen Sulfide (H2S) Low Range, 0 - 50 ppm, EC type, XP Division 1, 7 pin	595.00
66-1003-1-10	Sensor assembly for Hydrogen Sulfide (H2S) Low Range, 0 - 100 ppm, EC type, XP Division 1, 7 pin	595.00
66-1003-2-50	Sensor assembly for Hydrogen Sulfide (H2S) High range, 0 - 500 ppm, EC type, XP Division 1, 7 pin	750.00
66-1003-2-2K	Sensor assembly for Hydrogen Sulfide (H2S) High range, 0 - 2000 ppm, EC type, XP Division 1, 7 pin	750.00
66-1007-25	Sensor assembly for Nitric Oxide (NO) 0 - 250 ppm, EC type, XP Division 2, 7 pin	750.00
66-1008-20	Sensor assembly for Nitrogen Dioxide (NO2) 0 - 20 ppm, EC type, XP Division 2, 7 pin	750.00
66-1002-25	Sensor assembly for Oxygen (O2) 0 - 25 % Volume, EC type, XP Division 1, 7 pin	750.00
66-1009-1-05	Sensor assembly for Ozone (O3), 0 - 5 ppm, EC type, XP Division 2, 7 pin	750.00
66-1009-2-99	Sensor assembly for Ozone (O3), high range 0 - 100 ppm, EC type, XP Division 2, 7 pin	750.00
66-1015-05	Sensor assembly for Phosphine (PH3) 0 - 5 ppm, EC type, XP Division 2, 7 pin	1,335.00
66-1010-20	Sensor assembly for Sulfur Dioxide (SO2) 0 - 20 ppm, EC type, XP Division 2, 7 pin	750.00

# Fixed Systems Sensors & Transmitters

## T3A Series 3-Wire Transmitter without Relays

- Explosion Proof, Class I, Division 1 for CO, H2S, O2, LEL, CO2, VOC, HCN, PH3, and SO2
- Class I, Division 2 for all other gases
- 4-20 mA or Modbus output



Part#	Description	Suggested Retail
66-6306-10	T3A sensor/transmitter with j-box, Ammonia (NH3), 0-100 ppm .....	1,495.00
66-6306-20	T3A sensor/transmitter with j-box, Ammonia (NH3), 0-200 ppm .....	1,495.00
66-6306-30	T3A sensor/transmitter with j-box, Ammonia (NH3), 0-300 ppm .....	1,495.00
66-6306-50	T3A sensor/transmitter with j-box, Ammonia (NH3), 0-500 ppm .....	1,495.00
66-6306-1K	T3A sensor/transmitter with j-box, Ammonia (NH3), 0-1000 ppm .....	1,495.00
66-6368-01	T3A sensor/transmitter with j-box, Arsine (AsH3), 0-1 ppm .....	2,080.00
66-6354-05	T3A sensor/transmitter with j-box, Carbon Dioxide (CO2) IR, 0-5000 ppm .....	1,945.00
66-6350-05	T3A sensor/transmitter with j-box, Carbon Dioxide (CO2) IR, 0-5% vol .....	1,945.00
66-6301-05	T3A sensor/transmitter with j-box, Carbon Monoxide (CO), 0-500 ppm .....	1,340.00
66-6301-1K	T3A sensor/transmitter with j-box, Carbon Monoxide (CO), 0-1,000 ppm .....	1,340.00
66-6312-10	T3A sensor/transmitter with j-box, Chlorine (Cl2), 0-10 ppm .....	1,495.00
66-6313-01	T3A sensor/transmitter with j-box, Chlorine Dioxide (ClO2), 0-1 ppm .....	1,495.00
66-6316-10	T3A sensor/transmitter with j-box, Ethylene Oxide (ETO), 0-10 ppm .....	1,945.00
66-6311-10	T3A sensor/transmitter with j-box, Formaldehyde (HCHO), 0-10 ppm .....	1,945.00
66-6340-10	T3A sensor/transmitter with j-box, Hydrocarbon (CH4), 0-100% LEL catalytic .....	1,340.00
66-6351-10	T3A sensor/transmitter with j-box, Hydrocarbon (CH4) 0-100% LEL, IR .....	1,945.00
66-6362-99	T3A sensor/transmitter with j-box, Hydrocarbon (CH4) 0-100% vol, IR .....	1,945.00
66-6353-10	T3A sensor/transmitter with j-box, Hydrocarbon (HC) 0-100% LEL, IR .....	1,945.00
66-6339-40	T3A sensor/transmitter with j-box, Hydrogen (H2), 0-100% LEL (0-4% vol), EC .....	1,945.00
66-6304-20	T3A sensor/transmitter with j-box, Hydrogen Chloride (HCl), 0-20 ppm .....	1,495.00
66-6304-30	T3A sensor/transmitter with j-box, Hydrogen Chloride (HCl), 0-30 ppm .....	1,495.00
66-6304-99	T3A sensor/transmitter with j-box, Hydrogen Chloride (HCl), 0-100 ppm .....	1,495.00
66-6305-15	T3A sensor/transmitter with j-box, Hydrogen Cyanide (HCN), 0-15 ppm .....	1,495.00
66-6305-50	T3A sensor/transmitter with j-box, Hydrogen Cyanide (HCN), 0-50 ppm .....	1,495.00
66-6314-10	T3A sensor/transmitter with j-box, Hydrogen Fluoride (HF), 0-10 ppm .....	1,945.00
66-6303-01	T3A sensor/transmitter with j-box, Hydrogen Sulfide (H2S), 0-10 ppm .....	1,340.00
66-6303-02	T3A sensor/transmitter with j-box, Hydrogen Sulfide (H2S), 0-25 ppm .....	1,340.00
66-6303-05	T3A sensor/transmitter with j-box, Hydrogen Sulfide (H2S), 0-50 ppm .....	1,340.00
66-6303-10	T3A sensor/transmitter with j-box, Hydrogen Sulfide (H2S), 0-100 ppm .....	1,340.00
66-6303-50	T3A sensor/transmitter with j-box, Hydrogen Sulfide (H2S), 0-500 ppm .....	1,340.00
66-6303-2K	T3A sensor/transmitter with j-box, Hydrogen Sulfide (H2S), 0-2000 ppm .....	1,495.00
66-6307-25	T3A sensor/transmitter with j-box, Nitric Oxide (NO), 0-250 ppm .....	1,495.00
66-6308-20	T3A sensor/transmitter with j-box, Nitrogen Dioxide (NO2), 0-20 ppm .....	1,495.00
66-6302-25	T3A sensor/transmitter with j-box, Oxygen (O2) capillary, 0-25% .....	1,495.00
66-6309-05	T3A sensor/transmitter with j-box, Ozone (O3), 0-5 ppm .....	1,495.00
66-6309-99	T3A sensor/transmitter with j-box, Ozone (O3), 0-100 ppm .....	1,495.00
66-6315-05	T3A sensor/transmitter with j-box, Phosphine (PH3), 0-5 ppm .....	2,080.00
66-6310-20	T3A sensor/transmitter with j-box, Sulfur Dioxide (SO2), 0-20 ppm .....	1,495.00

## T3A Series 3-Wire Explosion Proof Transmitter with Relays

**ORDERING INFORMATION:** To order a T3A with two relays, add -R to the end of the part # and \$220 to the price.



# Fixed Systems Sensors & Transmitters

## **T3A Calibration Kits**

Instrument #	Cal-Kit Part #	Cal-Kit Description	Price
Chlorine	81-T1203-LV	Cal kit, T2A/T3A, 34AL cyl Cl2 2 ppm in N2, regulator, case, XP cal cup, and tubing	605.00
	81-T1220-LV	Cal kit, T2A/T3A, 34AL cyl Cl2 5 ppm in N2, regulator, case, XP cal cup, and tubing	605.00
HydrogenChloride	81-T0430-LV	Cal kit, T2A/T3A, 34AL cyl HCl 5 ppm in N2, regulator, case, XP cal cup, and tubing	685.00
HydrogenCyanide	81-T1410-LV	Cal kit, T2A/T3A, 34AL cyl HCN 10 ppm in N2, regulator, case, XP cal cup, and tubing	605.00
HydrogenSulfide	81-T0310-LV	Cal kit, T2A/T3A, 34AL cyl H2S 25 ppm in N2, regulator, case, XP cal cup, and tubing	515.00
Isobutane LEL	81-T6310-LV	Cal kit, T2A/T3A, 34L cyl isobutane in air, regulator, case, XP cal cup, and tubing	440.00
Methane LEL	81-T4010	Cal kit, T3A, 103L cyl Methane 50% LEL in air, regulator, case, XP cal cup, and tubing	495.00
	81-T4010-LV	Cal kit, T3A, 34L cyl Methane 50% LEL in air, regulator, case, XP cal cup, and tubing	440.00
NitricOxide	81-T0725-LV	Cal kit, T2A/T3A, 34AL cyl NO 25 ppm in N2, regulator, case, XP cal cup, and tubing	645.00
Phosphine	81-T1505-LV	Cal kit, T2A/T3A, 34AL cyl PH3 0.5 ppm in N2, regulator, case, XP cal cup, and tubing	645.00
Propane LEL	81-T5310	Cal kit, T3A, 103L cyl Propane 50% LEL in air, regulator, case, XP cal cup, and tubing	495.00
	81-T5310-LV	Cal kit, T3A, 34L cyl Propane 50% LEL in air, regulator, case, XP cal cup, and tubing	440.00

## **Replacement Parts and Accessories for T3A**

<b>Part#</b>	<b>Description</b>	<b>Suggested Retail</b>
30-0960	Flow through adapter for T2A/T3A/VOC Pro/AirLink products with aspirator and brass fittings .....	500.00
30-0960-01	Flow through adapter for T2A/T3A/VOC Pro/AirLink products with brass fittings only .....	160.00
30-0960-02	Flow through adapter for T2A/T3A/VOC Pro/AirLink products with flow meter and brass fittings .....	300.00
30-0960-03	Flow through adapter for T2A/T3A/VOC Pro/AirLink products with flow meter, valve, and brass fittings...	340.00
47-5110-5-XX	Cable with 5-pin connector to remote mount sensor for explosion proof and non-explosion proof, price per foot (specify length in place of -XX) .....	7.20
61-2001	Remote sensor mounting kit, explosion proof with 5-pin connector for T3A/AirLink T3A/VOC Pro/ AirLink VOC Pro (order cable separate) .....	410.00
81-1183	Cal cup with 3 ft 1/8" ID x 1/4" OD teflon tubing for T2A/T3A/VOC Pro/AirLink 6900 type detectors .....	160.00
81-1184	Rain guard for T2A/T3A/VOC Pro type explosion proof detector.....	20.00
82-0101RK	Magnetic wand, for M2A/T2A/T3A/VOC Pro/Air Alert/AirLink Transmitters .....	15.00

# Fixed Systems Sensors & Transmitters

## T3A Replacement Sensors

<u>Part#</u>	<u>Description</u>	<u>Suggested Retail</u>
66-0006N-1	Sensor, Ammonia (NH3) for up to 100 ppm full scale, Nemoto, EC type .....	370.00
66-0006-2	Sensor, Ammonia (NH3) high range, covers full scale from 200 to 1000 ppm, Semeatech, EC type .....	350.00
66-0068	Sensor, Arsine (AsH3) 0 - 1 ppm, EC type .....	935.00
66-0054	Sensor, Carbon Dioxide (CO2) 0 - 5000 ppm, IR type .....	800.00
66-0050	Sensor, Carbon Dioxide (CO2) 0 - 5 % volume, IR type .....	800.00
66-0001	Sensor, Carbon Monoxide (CO) covers full scale up to 0 - 1000 ppm, EC type .....	195.00
66-0012	Sensor, Chlorine (Cl2) covers full scale up to 20 ppm, EC type .....	350.00
66-0013	Sensor, Chlorine Dioxide (ClO2) covers full scale up to 5 ppm, EC type .....	350.00
66-0040	Sensor, Hydrocarbons (CH4) 0 - 100 % LEL, catalytic type .....	195.00
66-0051	Sensor, Hydrocarbons (CH4) 0 - 100 % LEL, IR type .....	800.00
66-0053	Sensor, Hydrocarbons (HC) 0-100% LEL, IR type .....	800.00
66-0052	Sensor, Hydrocarbons (CH4) 0 - 100 % volume, IR type .....	800.00
66-0016	Sensor, Ethylene Oxide (ETO) 0 - 10 ppm, EC type .....	800.00
66-0011	Sensor, Formaldehyde (HCHO) 0 - 10 ppm, EC type .....	800.00
66-0039	Sensor, Hydrogen (H2) 0 - 100% LEL (0-4% vol), EC type .....	800.00
66-0004-1	Sensor, Hydrogen Chloride (HCl) covers full scale up to 20 ppm, EC type .....	350.00
66-0004-2	Sensor, Hydrogen Chloride (HCl) covers full scale up to 200 ppm, EC type .....	350.00
66-0005	Sensor, Hydrogen Cyanide (HCN) 0 - 50 ppm, EC type .....	350.00
66-0014	Sensor, Hydrogen Fluoride (HF) 0 - 10 ppm, EC type .....	800.00
66-0003-1	Sensor, Hydrogen Sulfide (H2S) 0 - 100 ppm, EC type .....	195.00
66-0003-2	Sensor, Hydrogen Sulfide (H2S) covers full scale from 200 ppm to 2000 ppm, EC type .....	350.00
66-0007	Sensor, Nitric Oxide (NO) covers full scale up to 250 ppm, EC type .....	350.00
66-0008	Sensor, Nitrogen Dioxide (NO2) 0 - 20 ppm, EC type .....	350.00
66-0002	Sensor, Oxygen (O2) 0 - 25 % volume, capillary type .....	350.00
66-0009-1	Sensor, Ozone (O3) 0 - 5 ppm, EC type .....	350.00
66-0009-2	Sensor, Ozone (O3) high range sensor covers full scale from 10 ppm to 100 ppm, EC type .....	350.00
66-0015	Sensor, Phosphine (PH3) 0 - 5 ppm, EC type .....	935.00
66-0010	Sensor, Sulfur Dioxide (SO2) 0 - 20 ppm, EC type .....	350.00

# Fixed Systems Sensors & Transmitters

## T3A Sensor Assemblies

<b>Part#</b>	<b>Description</b>	<b>Suggested Retail</b>
66-3006-1-10	Sensor assembly, explosion proof for Ammonia (NH3), Low Range 0 - 100 ppm, EC type, 5-pin	690.00
66-3006-2-20	Sensor assembly, explosion proof for Ammonia (NH3), High range 0 - 200 ppm, EC type, 5-pin	690.00
66-3006-2-30	Sensor assembly, explosion proof for Ammonia (NH3), High range 0 - 300 ppm, EC type, 5-pin	690.00
66-3006-2-50	Sensor assembly, explosion proof for Ammonia (NH3), High range 0 - 500 ppm, EC type, 5-pin	690.00
66-3006-2-99	Sensor assembly, explosion proof for Ammonia (NH3), High range 0 - 1000 ppm, EC type, 5-pin	690.00
66-3068-01	Sensor assembly, explosion proof for Arsine (AsH3) 0 - 1 ppm, EC type, 5-pin	1,190.00
66-3054-05	Sensor assembly, explosion proof for Carbon Dioxide (CO2) 0 - 5000 ppm, IR, 5-pin	1,080.00
66-3050-05	Sensor assembly, explosion proof for Carbon Dioxide (CO2) 0 - 5 % Volume, IR - Infrared, 5-pin	1,080.00
66-3001-05	Sensor assembly, explosion proof for Carbon Monoxide (CO) 0 - 500 PPM, EC type, 5-pin	550.00
66-3001-10	Sensor assembly, explosion proof for Carbon Monoxide (CO) 0 - 1000 ppm, EC type, 5-pin	550.00
66-3012-10	Sensor assembly, explosion proof for Chlorine (Cl2) 0 - 10 ppm, EC type, 5-pin	690.00
66-3013-01	Sensor assembly, explosion proof for Chlorine Dioxide (ClO2) 0 - 1 ppm, EC type, 5-pin	690.00
66-3040-10	Sensor assembly, explosion proof for Combustible (CH4) 0 - 100 % LEL, CB2 - Catalytic Bead, 5-pin	550.00
66-3051-10	Sensor assembly, explosion proof for Combustible (CH4) 0 - 100 % LEL, IR - Infrared, 5-pin	1,080.00
66-3052-99	Sensor assembly, explosion proof for Combustible (CH4) 0 - 100 % Volume, IR - Infrared, 5-pin	1,080.00
66-3053-10	Sensor assembly, explosion proof for Combustible (HC) 0-100% LEL HC, IR - Infrared, 5-pin	1,080.00
66-3016-10	Sensor assembly, explosion proof for Ethylene Oxide (ETO) 0 - 10 ppm, EC type, 5-pin	1,080.00
66-3011-10	Sensor assembly, explosion proof for Formaldehyde (HCHO) 0 - 10 ppm, EC type, 5-pin	1,080.00
66-3014-10	Sensor assembly, explosion proof for Hydrogen Fluoride (HF) 0 - 10 ppm, EC type, 5-pin	1,080.00
66-3039-40	Sensor assembly, explosion proof for Hydrogen (H2) 0 - 100% LEL (0-4% vol), EC type, 5-pin	1,080.00
66-3004-20	Sensor assembly, explosion proof for Hydrogen Chloride (HCl) 0 - 20 ppm, EC type, 5-pin	690.00
66-3004-30	Sensor assembly, explosion proof for Hydrogen Chloride (HCl) 0 - 30 ppm, EC type, 5-pin	690.00
66-3004-99	Sensor assembly, explosion proof for Hydrogen Chloride (HCl) 0 - 100 ppm, EC type, 5-pin	690.00
66-3005-15	Sensor assembly, explosion proof for Hydrogen Cyanide (HCN) 0 - 15 ppm, EC type, 5-pin	690.00
66-3005-50	Sensor assembly, explosion proof for Hydrogen Cyanide (HCN) 0 - 50 ppm, EC type, 5-pin	690.00
66-3003-1-01	Sensor assembly, explosion proof for Hydrogen Sulfide (H2S) Low Range 0 - 10 ppm, EC type, 5-pin	550.00
66-3003-1-02	Sensor assembly, explosion proof for Hydrogen Sulfide (H2S) Low Range 0 - 25 ppm, EC type, 5-pin	550.00
66-3003-1-05	Sensor assembly, explosion proof for Hydrogen Sulfide (H2S) Low Range 0 - 50 ppm, EC type, 5-pin	550.00
66-3003-1-10	Sensor assembly, explosion proof for Hydrogen Sulfide (H2S) Low Range 0 - 100 ppm, EC type, 5-pin	550.00
66-3003-2-50	Sensor assembly, explosion proof for Hydrogen Sulfide (H2S) High range 0 - 500 ppm, EC type, 5-pin	690.00
66-3003-2-2K	Sensor assembly, explosion proof for Hydrogen Sulfide (H2S) High range 0 - 2000 ppm, EC type, 5-pin	690.00
66-3007-25	Sensor assembly, explosion proof for Nitric Oxide (NO) 0 - 250 ppm, EC type, 5-pin	690.00
66-3008-20	Sensor assembly, explosion proof for Nitrogen Dioxide (NO2) 0 - 20 ppm, EC type, 5-pin	690.00
66-3002-25	Sensor assembly, explosion proof for Oxygen (O2) 0 - 25 % Volume, EC type, 5-pin	690.00
66-3009-1-05	Sensor assembly, explosion proof for Ozone (O3), 5 ppm 0 - 5 ppm, EC type, 5-pin	690.00
66-3009-2-99	Sensor assembly, explosion proof for Ozone (O3), high range 0 - 100 ppm, EC type, 5-pin	690.00
66-3015-05	Sensor assembly, explosion proof for Phosphine (PH3) 0 - 5 ppm, EC type, 5-pin	1,190.00
66-3010-20	Sensor assembly, explosion proof for Sulphur Dioxide (SO2) 0 - 20 ppm, EC type, 5-pin	690.00

# Fixed Systems Sensors & Transmitters

## VOC Pro PID Series Explosion Proof Transmitter without Relays, Class I, Div 1

**ORDERING INFORMATION:** All VOC Pro pricing includes the sensor and explosion proof housing.



### 10.6 eV Lamp, High PPM Range PID

<u>Part#</u>	<u>Description</u>	<u>Suggested Retail</u>
66-6193-10	VOC Pro (10.6 eV PID) 0-100 ppm, high range sensor/transmitter with j-box .....	2,240.00
66-6193-50	VOC Pro (10.6 eV PID) 0-500 ppm, high range sensor/transmitter with j-box .....	2,240.00
66-6193-2K	VOC Pro (10.6 eV PID) 0-2000 ppm, high range sensor/transmitter with j-box .....	2,240.00

### VOC Pro with 10.6 eV Lamp, Low PPM Range PID

<u>Part#</u>	<u>Description</u>	<u>Suggested Retail</u>
66-6192-01	VOC Pro (10.6 eV PID) 0-10.00 ppm, low range sensor/transmitter with j-box .....	2,400.00
66-6192-02	VOC Pro (10.6 eV PID) 0-20.00 ppm, low range sensor/transmitter with j-box .....	2,400.00
66-6192-05	VOC Pro (10.6 eV PID) 0-50.00 ppm, low range sensor/transmitter with j-box .....	2,400.00

### VOC Pro with 10.0 eV Lamp, PID

<u>Part#</u>	<u>Description</u>	<u>Suggested Retail</u>
66-6195-01	VOC Pro (10.0 eV PID) 0-10.00 ppm sensor/transmitter with j-box .....	2,500.00
66-6195-02	VOC Pro, (10.0 eV PID) 0-20.00 ppm, sensor/transmitter with j-box .....	2,500.00
66-6195-05	VOC Pro, (10.0 eV PID) 0-50.00 ppm, sensor/transmitter with j-box .....	2,500.00
66-6195-10	VOC Pro, (10.0 eV PID) 0-100.00 ppm, sensor/transmitter with j-box .....	2,500.00

### VOC Pro with 11.7 eV Lamp, PID

<u>Part#</u>	<u>Description</u>	<u>Suggested Retail</u>
66-6194-10	VOC Pro (11.7 eV PID) 0-100 ppm sensor/transmitter with j-box .....	2,500.00

### VOC Series 3-Wire Explosion Proof Transmitter with Relays

**ORDERING INFORMATION:** To order a VOC Pro with two relays, add -R to the end of the above part # and \$220 to the price.

### VOC Pro Replacement Sensors

<u>Part#</u>	<u>Description</u>	<u>Suggested Retail</u>
61-0302	Sensor, Volatile Organic Compounds (VOC) 0-50 ppm, 10.6 eV PID, low ppm sensor for VOC Pro, Air Alert, AirLink VOC Pro, AirLink Alert .....	1,100.00
61-0303	Sensor, Volatile Organic Compounds (VOC) 0-2000 ppm, 10.6 eV PID, high ppm sensor for VOC Pro, Air Alert, AirLink VOC Pro, AirLink Alert .....	940.00
61-0304	Sensor, Volatile Organic Compounds (VOC) 0-100 ppm, 11.7 eV PID for VOC Pro, Air Alert, AirLink VOC Pro, AirLink Alert .....	1,200.00
61-0305	Sensor, Volatile Organic Compounds (VOC) 0-100 ppm/0-50 ppm for Benzene, 10.0 eV PID for VOC Pro, Air Alert, AirLink VOC Pro, AirLink Alert .....	1,200.00

# Fixed Systems Sensors & Transmitters

## VOC Pro Series PID Replacement Lamps and Electrode Stacks

PID Sensor	eV	Replacement Lamp	Electrode Stack
61-0302	10.6	51-1503	33-0560-01
61-0303	10.6		33-0562
61-0305	10.0	51-1504	33-0563
61-0304	11.7		33-0560-01

Part#	Description	Suggested Retail
33-0560-01	Electrode Stack for 10.6 (50 ppm sensor) & 11.7 eV lamps used in EAGLE 2, GX-6000, or VOC Pro (1 electrode) .....	100.00
33-0562	Electrode Stack for 10.6 eV lamp, 0-2,000/6,000 ppm for EAGLE 2, GX-6000, or VOC Pro, (1 electrode) .....	64.00
33-0563	Electrode Stack for 10.0 eV lamp, 0-100 ppm (50 ppm benzene) for GX-6000 or VOC Pro (1 electrode) .....	130.00
51-1503	Replacement lamp only, 0-50/-2000/-6000/ HPPM long life type for any 10.6 eV or 10.0 eV PID. ....	220.00
51-1504	Replacement lamp, 0-1000 ppm for PID-004, 11.7 eV lamp in GX-6000 or VOC Pro .....	550.00



## Replacement Parts and Accessories for VOC Pro

Part#	Description	Suggested Retail
47-5110-5-XX	Cable with 5-pin connector to remote mount sensor for explosion proof and non-explosion proof, price per foot (specify length in place of -XX) .....	7.20
61-2001	Remote sensor mounting kit, explosion proof with 5-pin connector for T3A/AirLink T3A/VOC Pro/AirLink VOC Pro (order cable separate) .....	410.00
81-1183	Cal cup with 3 ft 1/8" ID x 1/4" OD teflon tubing for T2A/T3A/VOC Pro/AirLink 6900 type detectors .....	160.00
81-1184	Rain guard for T2A/T3A/VOC Pro type explosion proof detector.....	20.00
82-0101RK	Magnetic wand, for M2A/T2A/T3A/VOC Pro/Air Alert/AirLink Transmitters .....	15.00
82-0120-02	Magnets (2 each) adder hardware for T3A/VOC Pro type j-box .....	26.00
82-0300RK	PID lamp cleaning kit with removal tool for 10.0 & 10.6 eV lamps only .....	52.00

## VOC Pro Calibration Kits

Instrument #	Cal-Kit Part #	Cal-Kit Description	Price
66-6192-01 66-6192-02	81-T9210	Cal kit, VOC Pro, 103L cyl Isobutylene 10 ppm in air, 103L cyl, Nitrogen 100%, regulator, case, cal cup, and tubing	625.00
66-6192-05 66-6193-10 66-6194-02 66-6194-05 66-6194-10 66-6195-01 66-6195-02 66-6195-05 66-6195-10	81-T9210-LV	Cal kit, VOC Pro, 34L cyl Isobutylene 10 ppm in air, 34L cyl, Nitrogen 100%, regulator, case, cal cup, and tubing	495.00
66-6193-20 66-6193-50	81-T9320	Cal kit, VOC Pro, 103L cyl Isobutylene 100 ppm in air, 103L cyl, Nitrogen 100%, regulator, case, cal cup, and tubing	625.00
66-6193-1K 66-6193-2K	81-T9320-LV	Cal kit, VOC Pro, 34L cyl Isobutylene 100 ppm in air, 34L cyl, Nitrogen 100%, regulator, case, cal cup, and tubing	460.00
66-6195-01 66-6195-02	81-T9510	Cal kit, VOC Pro, 58AL cyl Benzene 10 ppm in air, 103L cyl, Nitrogen 100%, regulator, case, cal cup, and tubing	625.00
66-6195-05	81-T9510-LV	Cal kit, VOC Pro, 34AL cyl Benzene 10 ppm in air, 103L cyl, Nitrogen 100%, regulator, case, cal cup, and tubing	600.00

# Fixed Systems Sensors & Transmitters

## Air Alert Stand-Alone Non Explosion Proof Transmitter

- Stand alone transmitter
- 12 - 35 VDC power standard
- AC version available and comes with power cord & cable grip
- Buzzer with 3-color LED for alarms
- Wireless radio option, 900 MHz or 2.4 GHz
- Not equipped with relays



### ORDERING INFORMATION:

- 66-5[DC power=D/AC power=A][Sensor Designator]-[Range suffix]-[3 color LEDs=L/Green only LED=G] [900 MHz radio=W/2.4 MHz radio=Y]
- To order with wireless radio enter W or Y to the end of the part # and add \$260 to the price.
- To order with 115-240 VAC power, replace the D in the part # with A and add \$220 to the price.

Part#	Description	Suggested Retail
66-5D06-10-L	Air Alert, Ammonia (NH3) 0-100 ppm, DC power, 3-color alarm LED's and buzzer .....	1,620.00
66-5D06-20-L	Air Alert, Ammonia (NH3) 0-200 ppm, DC power, 3-color alarm LED's and buzzer .....	1,620.00
66-5D06-30-L	Air Alert, Ammonia (NH3) 0-300 ppm, DC power, 3-color alarm LED's and buzzer .....	1,620.00
66-5D06-50-L	Air Alert, Ammonia (NH3) 0-500 ppm, DC power, 3-color alarm LED's and buzzer .....	1,620.00
66-5D06-1K-L	Air Alert, Ammonia (NH3) 0-1000 ppm, DC power, 3-color alarm LED's and buzzer .....	1,620.00
66-5D68-01-L	Air Alert, Arsine (AsH3) 0-1 ppm, DC power, 3-color alarm LED's and buzzer .....	2,205.00
66-5D54-05-L	Air Alert, Carbon Dioxide (CO2) 0-5000 ppm, IR, DC power, 3-color alarm LED's and buzzer .....	2,070.00
66-5D50-05-L	Air Alert, Carbon Dioxide (CO2) 0-5% vol, IR, DC power, 3-color alarm LED's and buzzer .....	2,070.00
66-5D01-05-L	Air Alert, Carbon Monoxide (CO) 0-500 ppm, DC power, 3-color alarm LED's and buzzer .....	1,465.00
66-5D01-1K-L	Air Alert, Carbon Monoxide (CO) 0-1000 ppm, DC power, 3-color alarm LED's and buzzer .....	1,465.00
66-5D12-10-L	Air Alert, Chlorine (Cl2) 0-10 ppm, DC power, 3-color alarm LED's and buzzer .....	1,620.00
66-5D13-01-L	Air Alert, Chlorine Dioxide (ClO2) 0-1 ppm, DC power, 3-color alarm LED's and buzzer .....	1,620.00
66-5D16-10-L	Air Alert, Ethylene Oxide (ETO) 0-10 ppm, DC power, 3-color alarm LED's and buzzer .....	2,070.00
66-5D11-10-L	Air Alert, Formaldehyde (HCHO) 0-10 ppm, DC power, 3-color alarm LED's and buzzer .....	2,070.00
66-5D64-20-L	Air Alert, Freon (R404A) 0-2000 ppm, DC power, 3-color alarm LED's and buzzer .....	2,620.00
66-5D65-20-L	Air Alert, Freon (R410A) 0-2000 ppm, DC power, 3-color alarm LED's and buzzer .....	2,620.00
66-5D51-10-L	Air Alert, Hydrocarbons (CH4) 0-100% LEL, IR, DC power, 3-color alarm LED's and buzzer .....	2,070.00
66-5D52-99-L	Air Alert, Hydrocarbons (CH4) 0-100% vol, IR, DC power, 3-color alarm LED's and buzzer .....	2,070.00
66-5D53-10-L	Air Alert, Hydrocarbons (HC) 0-100% LEL, IR, DC power, 3-color alarm LED's and buzzer .....	2,070.00
66-5D39-40-L	Air Alert, Hydrogen (H2) 0-100% LEL (0-4% vol), DC power, 3-color alarm LED's and buzzer .....	2,070.00
66-5D04-02-L	Air Alert, Hydrogen Chloride (HCl) 0-20 ppm, DC power, 3-color alarm LED's and buzzer .....	1,620.00
66-5D04-03-L	Air Alert, Hydrogen Chloride (HCl) 0-30 ppm, DC power, 3-color alarm LED's and buzzer .....	1,620.00
66-5D04-10-L	Air Alert, Hydrogen Chloride (HCl) 0-100 ppm, DC power, 3-color alarm LED's and buzzer .....	1,620.00
66-5D05-15-L	Air Alert, Hydrogen Cyanide (HCN) 0-15 ppm, DC power, 3-color alarm LED's, and buzzer .....	1,620.00
66-5D05-50-L	Air Alert, Hydrogen Cyanide (HCN) 0-50 ppm, DC power, 3-color alarm LED's, and buzzer .....	1,620.00
66-5D14-10-L	Air Alert, Hydrogen Fluoride (HF) 0-10 ppm, DC power, 3-color alarm LED's and buzzer .....	2,070.00
66-5D03-01-L	Air Alert, Hydrogen Sulfide (H2S) 0-10 ppm, DC power, 3-color alarm LED's and buzzer .....	1,465.00
66-5D03-02-L	Air Alert, Hydrogen Sulfide (H2S) 0-25 ppm, DC power, 3-color alarm LED's and buzzer .....	1,465.00
66-5D03-05-L	Air Alert, Hydrogen Sulfide (H2S) 0-50 ppm, DC power, 3-color alarm LED's and buzzer .....	1,465.00
66-5D03-10-L	Air Alert, Hydrogen Sulfide (H2S) 0-100 ppm, DC power, 3-color alarm LED's and buzzer .....	1,465.00
66-5D03-50-L	Air Alert, Hydrogen Sulfide (H2S) 0-500 ppm, DC power, 3-color alarm LED's and buzzer .....	1,465.00
66-5D03-2K-L	Air Alert, Hydrogen Sulfide (H2S) 0-2000 ppm, DC power, 3-color alarm LED's and buzzer .....	1,465.00
66-5D07-25-L	Air Alert, Nitric Oxide (NO) 0-250 ppm, DC power, 3-color alarm LED's and buzzer .....	1,620.00
66-5D08-20-L	Air Alert, Nitrogen Dioxide (NO2) 0-20 ppm, DC power, 3-color alarm LED's and buzzer .....	1,620.00
66-5D02-25-L	Air Alert, Oxygen (O2) 0-25% vol, DC power, 3-color alarm LED's and buzzer .....	1,620.00
66-5D09-05-L	Air Alert, Ozone (O3) 0-5 ppm, DC power, 3-color alarm LED's and buzzer .....	1,620.00
66-5D09-99-L	Air Alert, Ozone (O3) 0-100 ppm, DC power, 3-color alarm LED's and buzzer .....	1,620.00
66-5D15-05-L	Air Alert, Phosphine (PH3) 0-5 ppm, DC power, 3-color alarm LED's and buzzer .....	2,205.00
66-5D10-20-L	Air Alert, Sulfur Dioxide (SO2) 0-20 ppm, DC power, 3-color alarm LED's and buzzer .....	1,620.00

## Fixed Systems Sensors & Transmitters

### ***Air Alert Stand-Alone Non Explosion Proof Transmitter***

<b>Part#</b>	<b>Description</b>	<b>Suggested Retail</b>
66-5D92-01-L	Air Alert, VOC (10.6 eV PID) 0-10 ppm, DC power, 3-color alarm LED's and buzzer .....	2,620.00
66-5D92-02-L	Air Alert, VOC (10.6 eV PID) 0-20 ppm, DC power, 3-color alarm LED's and buzzer .....	2,620.00
66-5D92-05-L	Air Alert, VOC (10.6 eV PID) 0-50 ppm, DC power, 3-color alarm LED's and buzzer .....	2,620.00
66-5D93-10-L	Air Alert, VOC (10.6 eV PID) 0-100 ppm, DC power, 3-color alarm LED's and buzzer .....	2,460.00
66-5D93-20-L	Air Alert, VOC (10.6 eV PID) 0-200 ppm, DC power, 3-color alarm LED's and buzzer .....	2,460.00
66-5D93-50-L	Air Alert, VOC (10.6 eV PID) 0-500 ppm, DC power, 3-color alarm LED's and buzzer .....	2,460.00
66-5D93-1K-L	Air Alert, VOC (10.6 eV PID) 0-1000 ppm, DC power, 3-color alarm LED's and buzzer .....	2,460.00
66-5D93-2K-L	Air Alert, VOC (10.6 eV PID) 0-2000 ppm, DC power, 3-color alarm LED's and buzzer .....	2,460.00
66-5D95-01-L	Air Alert, VOC (10.0 eV PID) 0-10 ppm, DC power, 3-color alarm LED's and buzzer .....	2,880.00
66-5D95-02-L	Air Alert, VOC (10.0 eV PID) 0-20 ppm, DC power, 3-color alarm LED's and buzzer .....	2,880.00
66-5D95-05-L	Air Alert, VOC (10.0 eV PID) 0-50 ppm, DC power, 3-color alarm LED's and buzzer .....	2,880.00
66-5D95-10-L	Air Alert, VOC (10.0 eV PID) 0-100 ppm, DC power, 3-color alarm LED's and buzzer .....	2,880.00
66-5D94-10-L	Air Alert, VOC (11.7 eV PID) 0-100 ppm, DC power, 3-color alarm LED's and buzzer .....	2,880.00

# Fixed Systems Sensors & Transmitters

## Air Alert Stand-Alone Non Explosion Proof Transmitter with Relays

- Stand alone transmitter
- 12 - 35 VDC power standard
- AC version available and comes with power cord & cable grip
- 2 Relays
- Alarm buzzer or LED's not available
- Wireless radio option, 900 MHz or 2.4 GHz



### ORDERING INFORMATION:

- 66-5[DC power=D/AC power=A][Sensor Designator]-[Range suffix]-[Relays=R]  
[900 MHz radio=W/2.4 MHz radio=Y]
- To order with wireless radio enter W or Y to the end of the part # and add \$260 to the price.
- To order with 115-240 VAC power, replace the D in the part # with A and add \$220 to the price.

Part#	Description	Suggested Retail
66-5D06-10-R	Air Alert, Ammonia (NH3) 0-100 ppm, DC power, 2 relays .....	1,250.00
66-5D06-20-R	Air Alert, Ammonia (NH3) 0-200 ppm, DC power, 2 relays .....	1,250.00
66-5D06-30-R	Air Alert, Ammonia (NH3) 0-300 ppm, DC power, 2 relays .....	1,250.00
66-5D06-50-R	Air Alert, Ammonia (NH3) 0-500 ppm, DC power, 2 relays .....	1,250.00
66-5D06-1K-R	Air Alert, Ammonia (NH3) 0-1000 ppm, DC power, 2 relays .....	1,250.00
66-5D68-01-R	Air Alert, Arsine (AsH3) 0-1 ppm, DC power, 2 relays .....	1,835.00
66-5D54-05-R	Air Alert, Carbon Dioxide (CO2) 0-5,000 ppm IR, DC power, 2 relays .....	1,700.00
66-5D50-05-R	Air Alert, Carbon Dioxide (CO2) 0-5% vol, IR, DC power, 2 relays .....	1,700.00
66-5D01-03-R	Air Alert, Carbon Monoxide (CO) 0-300 ppm, DC power, 2 relays .....	1,095.00
66-5D01-1K-R	Air Alert, Carbon Monoxide (CO) 0-1000 ppm, DC power, 2 relays .....	1,095.00
66-5D12-10-R	Air Alert, Chlorine (Cl2) 0-10 ppm, DC power, 2 relays .....	1,250.00
66-5D13-01-R	Air Alert, Chlorine Dioxide (ClO2) 0-1 ppm, DC power, 2 relays .....	1,250.00
66-5D16-10-R	Air Alert, Ethylene Oxide (ETO) 0-10 ppm, DC power, 2 relays .....	1,700.00
66-5D11-10-R	Air Alert, Formaldehyde (HCHO) 0-10 ppm, DC power, 2 relays .....	1,700.00
66-5D64-20-R	Air Alert, Freon (R404A) 0-2000 ppm, DC power, 2 relays.....	2,160.00
66-5D65-20-R	Air Alert, Freon (R410A) 0-2000 ppm, DC power, 2 relays.....	2,160.00
66-5D51-10-R	Air Alert, Hydrocarbons (CH4) 0-100% LEL, IR, DC power, 2 relays .....	1,700.00
66-5D52-99-R	Air Alert, Hydrocarbons (CH4) 0-100% VOL, IR, DC power, 2 relays .....	1,700.00
66-5D53-10-R	Air Alert, Hydrocarbons (HC) 0-100% LEL, IR, DC power, 2 relays.....	1,700.00
66-5D39-40-R	Air Alert, Hydrogen (H2) 0-100% LEL (0-4% vol), EC sensor, DC power, 2 relays .....	1,700.00
66-5D04-02-R	Air Alert, Hydrogen Chloride (HCl) 0-20 ppm, DC power, 2 relays .....	1,250.00
66-5D04-03-R	Air Alert, Hydrogen Chloride (HCl) 0-30 ppm, DC power, 2 relays .....	1,250.00
66-5D04-10-R	Air Alert, Hydrogen Chloride (HCl) 0-100 ppm, DC power, 2 relays .....	1,250.00
66-5D05-15-R	Air Alert, Hydrogen Cyanide (HCN) 0-15 ppm, DC power, 2 relays .....	1,250.00
66-5D05-50-R	Air Alert, Hydrogen Cyanide (HCN) 0-50 ppm, DC power, 2 relays .....	1,250.00
66-5D14-10-R	Air Alert, Hydrogen Fluoride (HF) 0-10 ppm, DC power, 2 relays .....	1,700.00
66-5D03-01-R	Air Alert, Hydrogen Sulfide (H2S) 0-10 ppm, DC power, 2 relays .....	1,095.00
66-5D03-02-R	Air Alert, Hydrogen Sulfide (H2S) 0-25 ppm, DC power, 2 relays .....	1,095.00
66-5D03-05-R	Air Alert, Hydrogen Sulfide (H2S) 0-50 ppm, DC power, 2 relays .....	1,095.00
66-5D03-10-R	Air Alert, Hydrogen Sulfide (H2S) 0-100 ppm, DC power, 2 relays .....	1,095.00
66-5D03-50-R	Air Alert, Hydrogen Sulfide (H2S) 0-500 ppm, DC power, 2 relays .....	1,095.00
66-5D03-2K-R	Air Alert, Hydrogen Sulfide (H2S) 0-2000 ppm, DC power, 2 relays .....	1,095.00
66-5D07-25-R	Air Alert, Nitric Oxide (NO) 0-250 ppm, DC power, 2 relays .....	1,095.00
66-5D08-20-R	Air Alert, Nitrogen Dioxide (NO2) 0-20 ppm, DC power, 2 relays.....	1,250.00
66-5D02-25-R	Air Alert, Oxygen (O2) 0-25% vol, DC power, 2 relays .....	1,250.00
66-5D09-05-R	Air Alert, Ozone (O3) 0-5 ppm, DC power, 2 relays .....	1,250.00
66-5D09-99-R	Air Alert, Ozone (O3) 0-100 ppm, DC power, 2 relays .....	1,250.00
66-5D15-05-R	Air Alert, Phosphine (PH3) 0-5 ppm, DC power, 2 relays .....	1,835.00
66-5D10-20-R	Air Alert, Sulfur Dioxide (SO2) 0-20 ppm, DC power, 2 relays .....	1,250.00



# Fixed Systems Sensors & Transmitters

## ***Air Alert Stand-Alone Non Explosion Proof Transmitter with Relays***

<b>Part#</b>	<b>Description</b>	<b>Suggested Retail</b>
66-5D92-01-R	Air Alert, VOC (10.6 eV PID) 0-10 ppm, DC power, 2 relays .....	2,260.00
66-5D92-02-R	Air Alert, VOC (10.6 eV PID) 0-20 ppm, DC power, 2 relays .....	2,260.00
66-5D92-05-R	Air Alert, VOC (10.6 eV PID) 0-50 ppm, DC power, 2 relays .....	2,260.00
66-5D93-10-R	Air Alert, VOC (10.6 eV PID) 0-100 ppm, DC power, 2 relays .....	2,100.00
66-5D93-20-R	Air Alert, VOC (10.6 eV PID) 0-200 ppm, DC power, 2 relays .....	2,100.00
66-5D93-50-R	Air Alert, VOC (10.6 eV PID) 0-500 ppm, DC power, 2 relays .....	2,100.00
66-5D93-1K-R	Air Alert, VOC (10.6 eV PID) 0-1000 ppm, DC power, 2 relays .....	2,100.00
66-5D93-2K-R	Air Alert, VOC (10.6 eV PID) 0-2000 ppm, DC power, 2 relays .....	2,100.00
66-5D95-01-R	Air Alert, VOC (10.0 eV PID) 0-10 ppm, DC power, 2 relays .....	2,360.00
66-5D95-02-R	Air Alert, VOC (10.0 eV PID) 0-20 ppm, DC power, 2 relays .....	2,360.00
66-5D95-05-R	Air Alert, VOC (10.0 eV PID) 0-50 ppm, DC power, 2 relays .....	2,360.00
66-5D95-10-R	Air Alert, VOC (10.0 eV PID) 0-100 ppm, DC power, 2 relays .....	2,360.00
66-5D94-10-R	Air Alert, VOC (11.7 eV PID) 0-100 ppm, DC power, 2 relays .....	2,360.00

# Fixed Systems Sensors & Transmitters

## Replacement Parts and Accessories for Air Alert

Part#	Description	Suggested Retail
47-5110-5-XX	Cable with 5-pin connector to remote mount sensor for explosion proof and non-explosion proof, price per foot (specify length in place of -XX)	7.20
61-2000	Remote sensor mounting kit for Air Alert, non-explosion proof (order cable separately)	170.00
81-1185	Cal cup with 3 ft 1/8" ID x 1/4" OD teflon tubing, for non explosion proof Air Alert and AirLink Alert type detectors	40.00
81-1186	Cal cup for Freon sensor with 3 ft tubing, non explosion proof Air Alert and AirLink Alert type detectors	170.00
82-0101RK	Magnetic wand, for M2A/T2A/T3A/VOC Pro/Air Alert/AirLink Transmitters	15.00

## Air Alert Replacement Sensors

Part#	Description	Suggested Retail
66-0006-1	Sensor, Ammonia (NH3) covers full scale up to 100 ppm, EC type	350.00
66-0006-2	Sensor, Ammonia (NH3) high range, covers full scale from 200 to 1000 ppm, Semeatech, EC type	350.00
66-0068	Sensor, Arsine (AsH3) 0 - 1 ppm, EC type	935.00
66-0054	Sensor, Carbon Dioxide (CO2) 0 - 5000 ppm, IR type	800.00
66-0050	Sensor, Carbon Dioxide (CO2) 0 - 5 % volume, IR type	800.00
66-0001	Sensor, Carbon Monoxide (CO) covers full scale up to 0 - 1000 ppm, EC type	195.00
66-0012	Sensor, Chlorine (Cl2) covers full scale up to 20 ppm, EC type	350.00
66-0013	Sensor, Chlorine Dioxide (ClO2) covers full scale up to 5 ppm, EC type	350.00
66-0016	Sensor, Ethylene Oxide (ETO) 0 - 10 ppm, EC type	800.00
66-0011	Sensor, Formaldehyde (HCHO) 0 - 10 ppm, EC type	800.00
66-0064	Sensor, Freon 404A (R-404A) 0 - 2000 ppm, IR type for Air Alert	1,100.00
66-0065	Sensor, Freon 410A (R-410A) 0 - 2000 ppm, IR type for Air Alert	1,100.00
66-0040	Sensor, Hydrocarbons (CH4) 0 - 100 % LEL, catalytic type	195.00
66-0051	Sensor, Hydrocarbons (CH4) 0 - 100 % LEL, IR type	800.00
66-0052	Sensor, Hydrocarbons (CH4) 0 - 100 % volume, IR type	800.00
66-0053	Sensor, Hydrocarbons (HC) 0-100% LEL, IR type	800.00
66-0039	Sensor, Hydrogen (H2) 0 - 100% LEL (0-4% vol), EC type	800.00
66-0004	Sensor, Hydrogen Chloride (HCl) covers full scale up to 100 ppm, EC type	350.00
66-0005	Sensor, Hydrogen Cyanide (HCN) 0 - 50 ppm, EC type	350.00
66-0014	Sensor, Hydrogen Fluoride (HF) 0 - 10 ppm, EC type	800.00
66-0003-1	Sensor, Hydrogen Sulfide (H2S) 0 - 100 ppm, EC type	195.00
66-0003-2	Sensor, Hydrogen Sulfide (H2S) covers full scale from 200 ppm to 2000 ppm, EC type	350.00
66-0007	Sensor, Nitric Oxide (NO) covers full scale up to 250 ppm, EC type	350.00
66-0008	Sensor, Nitrogen Dioxide (NO2) 0 - 20 ppm, EC type	350.00
66-0002	Sensor, Oxygen (O2) 0 - 25 % volume, capillary type	350.00
66-0009-1	Sensor, Ozone (O3) 0 - 5 ppm, EC type	350.00
66-0009-2	Sensor, Ozone (O3) high range sensor covers full scale from 10 ppm to 100 ppm, EC type	350.00
66-0015	Sensor, Phosphine (PH3) 0 - 5 ppm, EC type	935.00
66-0010	Sensor, Sulfur Dioxide (SO2) 0 - 20 ppm, EC type	350.00
61-0302	Sensor, Volatile Organic Compounds (VOC) 0-50 ppm, 10.6 eV PID, low ppm sensor for VOC Pro, Air Alert, AirLink VOC Pro, AirLink Alert	1,100.00
61-0303	Sensor, Volatile Organic Compounds (VOC) 0-2000 ppm, 10.6 eV PID, high ppm sensor for VOC Pro, Air Alert, AirLink VOC Pro, AirLink Alert	940.00
61-0305	Sensor, Volatile Organic Compounds (VOC) 0-100 ppm/0-50 ppm for Benzene, 10.0 eV PID for VOC Pro, Air Alert, AirLink VOC Pro, AirLink Alert	1,200.00
61-0304	Sensor, Volatile Organic Compounds (VOC) 0-100 ppm, 11.7 eV PID for VOC Pro, Air Alert, AirLink VOC Pro, AirLink Alert	1,200.00

# Fixed Systems Sensors & Transmitters

## ***SD-1 GP Explosion Proof Transmitter LEL Catalytic, 4-20mA Transmitter***

<b>Part#</b>	<b>Description</b>	<b>Suggested Retail</b>
SD-1GP-XXX	SD-1GP detector head, LEL 0 - 100% catalytic type, replace XXX with specified gas, 4-20 mA transmitter .....	850.00
SD-1GP-ACN	SD-1GP detector head, Acrylonitrile (ACN) 0 - 100% LEL, 4-20 mA transmitter .....	850.00
SD-1GP-CH4	SD-1GP detector head, Methane (CH4) 0 - 100% LEL, 4-20 mA transmitter .....	850.00
SD-1GP-H2	SD-1GP detector head, Hydrogen (H2) 0 - 100% LEL, 4-20 mA transmitter .....	850.00



**GP**

## ***SD-1 RI Explosion Proof Transmitter LEL Infrared, 4-20mA Transmitter***

<b>Part#</b>	<b>Description</b>	<b>Suggested Retail</b>
SD-1DRI-AS-IPA	SD-1DRI-AS detector head, Isopropyl Alcohol (IPA) 0 - 100% LEL, 4-20 mA transmitter, air aspirator type .....	4,150.00
SD-1DRI-IC4H10	SD-1DRI detector head, Isobutane (C4H10) 0 - 100% LEL, 4-20 mA transmitter with sample adapter (flow through chamber) ...	1,650.00
SD-1DRI-CH4	SD-1DRI detector head, methane (CH4) 0 - 100% LEL, 4-20 mA transmitter with sample adapter (flow through chamber) ...	1,650.00
SD-1RI-CO2-02	SD-1RI detector head, Carbon Dioxide (CO2) 0-10,000 ppm infrared type, 4-20 mA transmitter .....	1,400.00
SD-1RI-CO2-04	SD-1RI detector head, Carbon Dioxide (CO2) 0-20% vol infrared type, 4-20 mA transmitter .....	1,400.00
SD-1RI-XXX	SD-1RI detector head, LEL infrared type, replace XXX with specified gas, 4-20 mA transmitter .....	1,400.00



**RI**

## ***SD-1 GH Explosion Proof Transmitter Semiconductor, 4-20mA Transmitter***

<b>Part#</b>	<b>Description</b>	<b>Suggested Retail</b>
SD-1GH-XXX	SD-1GH detector head, semiconductor type, replace XXX with specified gas, 4-20 mA transmitter .....	995.00
SD-1GH-ACN	SD-1GH detector head, Acrylonitrile (ACN) 0-100 ppm, 4-20 mA transmitter .....	995.00
SD-1GH-EO-1K	SD-1GH detector head, Ethylene Oxide (C2H4O) 0-1000 ppm with SG-8521, 4-20 mA transmitter .....	995.00
SD-1DGH-H500	SD-1GH detector head, Hexane (C4H10) 0-500 ppm, 4-20 mA transmitter with sample adapter (flow through chamber) ...	1,550.00



**GH**

## ***SD-1 EC Explosion Proof Transmitter Electrochemical, 4-20mA Transmitter***

<b>Part#</b>	<b>Description</b>	<b>Suggested Retail</b>
SD-1EC-CO-75	SD-1EC detector head, Carbon Monoxide (CO) 0 - 75 ppm, 4-20 mA transmitter .....	1,295.00
SD-1EC-H2S-30	SD-1 EC detector head, Hydrogen Sulfide (H2S) 0 - 30 ppm, 4-20 mA .....	1,295.00



**EC**

## ***SD-1 OX Explosion Proof Transmitter Oxygen, 4-20mA Transmitter***

<b>Part#</b>	<b>Description</b>	<b>Suggested Retail</b>
SD-1OX	SD-1OX detector head, Oxygen (O2) 0 - 25% vol, 4-20 mA transmitter .....	1,195.00



**OX**

# Fixed Systems Sensors & Transmitters

## ***SD-1 GP Explosion Proof Transmitter LEL Catalytic - HART Communication (no relay)***

<u>Part#</u>	<u>Description</u>	<u>Suggested Retail</u>
SD-1GP-CH4-H	SD-1GP detector head, Methane (CH4) 0 - 100% LEL with HART communication (no relay) .....	850.00
SD-1GP-H2-H	SD-1GP detector head, Hydrogen (H2) 0 - 100% LEL with HART communication (no relay) .....	850.00



## ***SD-1 RI Explosion Proof Transmitter LEL Infrared - HART Communication (no relay)***

<u>Part#</u>	<u>Description</u>	<u>Suggested Retail</u>
SD-1DRI-XXX-H	SD-1DRI detector head, LEL 0 - 100% infrared type with sample adapter hardware (flow through chamber) and HART communication (no relay), replace XXX with specified gas .....	1,650.00
SD-1DRIAS-XXX-H	SD-1DRI detector head, LEL 0 - 100% infrared type with air aspirator hardware and HART communication (no relay), replace XXX with specified gas .....	4,150.00



## ***SD-1 GH Explosion Proof Transmitter Semiconductor - HART Communication (no relay)***

<u>Part#</u>	<u>Description</u>	<u>Suggested Retail</u>
SD-1GH-XXX-H	SD-1GH detector head, semiconductor type with HART communication (no relay), replace XXX with specified gas .....	995.00
SD-1DGH-H500-H	SD-1GH-H500-H detector head, Hexane (C4H10) 0-500 ppm with HART communication (no relay), with sample adapter (flow through chamber) .....	1,600.00



## ***SD-1 EC Explosion Proof Transmitter Electrochemical - HART Communication (no relay)***

<u>Part#</u>	<u>Description</u>	<u>Suggested Retail</u>
SD-1EC-H2S-H	SD-1EC detector head, Hydrogen Sulfide (H2S) 0 - 30 ppm with HART communication (no relay) .....	1,295.00



## ***SD-1 OX Explosion Proof Transmitter Oxygen - HART Communication (no relay)***

<u>Part#</u>	<u>Description</u>	<u>Suggested Retail</u>
SD-1OX-H	SD-1OX detector head, Oxygen (O2) 0 - 25% vol with HART communication (no relay) .....	1,195.00



# Fixed Systems Sensors & Transmitters

## ***SD-1 RI Explosion Proof Transmitter LEL Infrared - HART & SIL2 (no relay)***

<u>Part#</u>	<u>Description</u>	<u>Suggested Retail</u>
SD-1RI-XXX-HS	SD-1RI detector head, infrared type with HART communication & SIL (no relay), replace XXX with specified gas.....	1,400.00
SD-1DRI-XXX-HS	SD-1DRI detector head, LEL 0 - 100% infrared type with sample adapter hardware (flow through chamber) and HART communication & SIL (no relay), replace XXX with specified gas.....	1,650.00
SD-1DRIAS-XXXHS	SD-1DRI detector head, LEL 0 - 100%, infrared type with air aspirator and HART communication & SIL (no relay), replace XXX with specified gas	4,150.00



**RI**

## ***SD-1 EC Explosion Proof Transmitter Electrochemical - HART & SIL2 (no relay)***

<u>Part#</u>	<u>Description</u>	<u>Suggested Retail</u>
SD-1EC-CO-HS	SD-1EC detector head, Carbon Monoxide (CO) 0 - 75 ppm with HART communication (no relay) .....	1,295.00
SD-1EC-H2S-HS	SD-1EC detector head, Hydrogen Sulfide (H2S) 0 - 30 ppm, with HART communication (no relay) .....	1,295.00



**EC**

## ***SD-1 OX Explosion Proof Transmitter Oxygen - HART & SIL2 (no relay)***

<u>Part#</u>	<u>Description</u>	<u>Suggested Retail</u>
SD-1OX-HS	SD-1OX detector head, Oxygen (O2) 0 - 25% vol with HART communication and SIL (no relay) .....	1,195.00



**OX**

## ***SD-1 Replacement Sensors***

<u>Part#</u>	<u>Description</u>	<u>Suggested Retail</u>
ES-831-CO	Sensor, Carbon Monoxide (CO) 0-75 ppm for SD-703EC / SD-705EC .....	495.00
ES-837RP	Sensor, Hydrogen Sulfide (H2S) 0-30 ppm for SD-703EC .....	500.00
NC-6239	Sensor, LEL combustible (catalytic), NC-6239, plug-in .....	220.00
NC-6245	Sensor, Combustible 0-100% LEL for sample draw 35-3001, 35-3000, SD-1, and Model 1017 .....	220.00
OS-B11E-A	Sensor, Oxygen (O2) 0-25% vol for SD-1OX .....	210.00
SG-8511	Sensor, SG-8511, MOS (specify gas and range) .....	300.00
SG-8521	Sensor, SG-8521, MOS sensor only, ppm (specify gas & range) .....	300.00
SG-8523	Sensor, SG-8523, MOS, TCE 300, GD-A8V .....	300.00
SG-8563	Sensor, Ethylene Oxide (ETO), 0 - 1000 ppm replacement sensor .....	300.00
SG-8563-ETO-100	Sensor, Ethylene Oxide (ETO), 0-100 ppm replacement sensor .....	300.00
SG-8565	Sensor, Ethanol (C2H5OH), 0 - 2000/5000 ppm replacement sensor .....	300.00

Note: Consult factory for other sensor types.

## ***SD-1 Replacement Parts & Accessories***

<u>Part#</u>	<u>Description</u>	<u>Suggested Retail</u>
21-0254	Sun-shade cover with bracket for pipe mounting for SD-1 .....	260.00
30-0965	Aspirator adapter, sample draw for SD-1, Acetylene (C2H2) solvent gases / corrosive gases .....	850.00
33-3002	Splash guard, SPG-1 for SD-1GP/GH/RI .....	52.00
33-3003	Splash guard, SPG-1OX for SD-1OX .....	52.00
33-3004	Splash guard, SPG-1EC for SD-1EC .....	52.00
81-1148	Calibration cup for SD-1GP/SD-1GH (except SD-1GH for NH3) .....	120.00
81-1148-NH3	Calibration cup for SD-1GP (NH3) / SD-1RI .....	120.00
81-1148-OX	Calibration cup for SD-1 with O2, CO, or H2S .....	380.00
81-1148-RIGH	Calibration cup for SD-1GH (NH3)/SD-1RI.....	120.00

## Fixed Systems Sensors & Transmitters

### SD-1 Calibration Kits

Instrument #	Cal-Kit Part #	Cal-Kit Description	Price
SD-1GH-H2	81-SD-1GH-H22K	Cal Kit, fixed for SD-1GP, 2000 ppm H2/Air 34L, reg, cal cup, case & tubing	520.00
SD-1GP-CH4	81-SD-1GP-CH4LV	Cal Kit, fixed for SD-1GP, 50% LEL CH4/Air 34L, reg, cal cup, case & tubing	400.00
SD-1GP-H2	81-SD-1GP-H2LV	Cal Kit, fixed for SD-1GP, 50% LEL H2/Air 34L, reg, cal cup, case & tubing	400.00
SD-1RI-IC4H10	81-SD-1RI-IBLV	Cal Kit, fixed for SD-1GP, 50% LEL isobutane/Air 34L, reg, cal cup, case & tubing	400.00
	81-SD1GPH2CO-LV	Cal Kit, fixed for SD-1GP, 50% LEL H2 in Air 34L, for SD-1EC, 50 ppm CO in Air 34L, reg, 2 cal cups, case & tubing	835.00

# Fixed Systems Sensors & Transmitters

## GD-70D Sample Drawing Sensor / Transmitter For Toxic Gases



### Standard Versions

Part#	Description	Suggested Retail
GD-70D-LEL-CH4	Smart transmitter, GD-70D for Methane (CH4), 0-100% LEL	1,295.00
GD-70D-LEL-H2	Smart transmitter, GD-70D for Hydrogen (H2), 0-100% LEL	1,295.00
GD-70D-MXX-XXX	Smart transmitter, GD-70D with MOS, (specify gas & range)	1,395.00
GD-70D-NS	Smart transmitter, GD-70D toxic gas monitor with no sensor	900.00
GD-70D-OXY-EC	Smart transmitter, GD-70D for Oxygen (O2), 0-25%	1,495.00
GD-70D-XXX	Smart transmitter, GD-70D toxic gas monitor (XXX denotes the gas, see chart below)	1,395.00
GD-70DP-NF3	Smart transmitter, GD-70D for Nitrogen Trifluoride (NF3), 0-30 ppm, includes pyrolyzer	2,145.00
GD-70DP-TEOS	Smart transmitter, GD-70D for TEOS, 0-15 ppm, includes pyrolyzer	2,145.00
PLU-70	Pyrolyzer unit only for GD-70D	755.00
TP-70DG2-C4F6	Smart transmitter, GD-70D for Hexafluorobutadiene (C4F6), 0-5.00 ppm	8,200.00
TP-70DG2-C5F8	Smart transmitter, GD-70D for Octafluorocyclopentene (C5F8), 0-5 ppm	8,200.00
TP-70DG2-COS	Smart transmitter, GD-70D for Carbonyl Sulfide (COS), 0-15.0 ppm	8,200.00

### LonWorks Versions

LonWorks communicates readings and alarms between the GD-70D and a PLC and the transmitter.

Part#	Description	Suggested Retail
GD-70DLN-LEL-CH4	Smart transmitter, GD-70D for Methane (CH4), 0-100% LEL with LonWorks	1,650.00
GD-70DLN-LEL-H2	Smart transmitter, GD-70D for Hydrogen (H2), 0-100% LEL with LonWorks	1,650.00
GD-70DLN-MOS	Smart transmitter, GD-70D with MOS sensor, (specify gas & range), with LonWorks	1,750.00
GD-70DLN-OXY-EC	Smart transmitter, GD-70D for Oxygen (O2) 0-25%, with LonWorks	1,650.00
GD-70DLN-XXX	Smart transmitter, GD-70D toxic gas monitor with LonWorks (XXX denotes the gas)	1,750.00
GD-70DPLN-NF3	Smart transmitter, GD-70D for Nitrogen Trifluoride, 0-30 ppm, includes pyrolyzer, with LonWorks	2,500.00
GD-70DPLN-TEOS	Smart transmitter, GD-70D for TEOS, 0-15 ppm, includes pyrolyzer, with LonWorks	2,500.00

GD-70D Toxic Gases & Ranges		
Measurable Gases	Range	Part #
Ammonia	75 ppm	GD-70D-NH3
Arsine	0.2 / 1.5 ppm	GD-70D-ASH3
Boron Trichloride	15 ppm	GD-70D-BCI3
Boron Trifluoride	9 ppm	GD-70D-BF3
Bromine	1 ppm	GD-70D-BR2
Carbon Monoxide	75 ppm (ESU-23)	GD-70D-CO-02
Carbon Monoxide	75 ppm (ESU-231)	GD-70D-CO-12
Carbon Monoxide	150 ppm (ESU-23)	GD-70D-CO-01
Carbon Monoxide	150 ppm (ESU-231)	GD-70D-CO-11
Carbon Monoxide	300 ppm (ESU-23)	GD-70D-CO-03
Carbon Monoxide	300 ppm (ESU-231)	GD-70D-CO-13
Chlorine	3 ppm	GD-70D-CL2
Chlorine Trifluoride	0.6 ppm	GD-70D-CLF3-A
Diborane	0.3 ppm	GD-70D-B2H6
Dichlorosilane	15 ppm	GD-70D-DCS
Diethylamine	15 ppm	GD-70D-DEA
Dimethylamine	15 ppm	GD-70D-DMA
Disilane	15 ppm	GD-70D-Si2H6
Fluorine	3 ppm	GD-70D-F2
Germane	0.8 ppm	GD-70D-GEH4
Hydrogen Bromide	6 / 9 ppm	GD-70D-HBR-06 / -09
Hydrogen Chloride	6 / 15 ppm	GD-70D-HCL-06E / 15E
Hydrogen Cyanide	15 ppm	GD-70D-HCN
Hydrogen Fluoride	3 / 9 ppm	GD-70D-HF-03 / -09
Hydrogen Peroxide	3 ppm	GD-70D-H2O2
Hydrogen Selenide	0.2 ppm	GD-70D-H2SE
Hydrogen Sulfide	1 / 30 ppm	GD-70D-H2S-01 / -30
Nitric Oxide	100 ppm	GD-70D-NO
Nitrogen Dioxide	9 / 15 ppm	GD-70D-NO2-09 / -15
Nitrogen Tetraoxide	15 PPM	GD-70D-N2O4
Ozone	0.6 ppm	GD-70D-O3
Phosphine	1 ppm (ESU-23AH)	GD-70D-PH3-AH
Phosphine	1 ppm (ESU-23DH)	GD-70D-PH3-DH
Silane	15 ppm (ESU-23AH)	GD-70D-SiH4-AH
Silane	15 ppm (ESU-23DH)	GD-70D-SiH4-DH
Silicon Tetrachloride	15 ppm	GD-70D-SiCl4
Silicon Tetrafluoride	9 ppm	GD-70D-SiF4
Sulfur Dioxide	6 ppm	GD-70D-SO2
Sulfur Tetrafluoride	9 ppm	GD-70D-SF4
Tetraethyl Orthosilicate	15 ppm	GD-70D-TEOS
Trichlorosilane	15 ppm	GD-70D-TCS
Trimethylamine	15 ppm	GD-70D-TMA
Tungsten Hexafluoride	9 ppm	GD-70D-WF6

GD-70D MOS Gases & Ranges		
Measurable Gases	Range	Part #
1,1 Dichloroethylene (DCE)	600 ppm	GD-70D-MDCE
Dichloromethane (DME)	2,000 ppm	GD-70D-MDCM
Hydrogen	500 ppm	GD-70D-MH2-S500
Hydrogen	1,000 ppm	GD-70D-MH2-S1K
Hydrogen	2,000 ppm	GD-70D-MH2-S2K
Hydrogen	2%	GD-70D-MH2-20K
Isopropyl Alcohol	2,000 ppm	GD-70D-MIPA-2K
Methane	2,000 ppm	GD-70D-MCH4-2K
Methane	5,000 ppm	GD-70D-MCH4-5K
Methane	2%	GD-70D-MCH4-20K
Methanol	1,000 ppm	GD-70D-MCH3OH-1
Methanol	2,000 ppm	GD-70D-MCH3OH-2
Propane	2,000 ppm	GD-70D-MC3H8-2K
Propane	5,000 ppm	GD-70D-MC3H8-5K
R-32	2,000 ppm	GD-70D-MR32
R-41	2,000 ppm	GD-70D-MR41

GD-70D LEL (catalytic) & O2 Gases & Ranges		
Measurable Gases	Range	Part #
Hydrogen	100% LEL	GD-70D-LEL-H2
Hydrogen	2% vol	GD-70D-H2-20K
Isobutane	100% LEL	GD-70D-ISOB
Methane	100% LEL	GD-70D-LEL-CH4
Methane	2% vol	GD-70D-CH4-20K
Oxygen	25% vol	GD-70D-OXY-EC

# Fixed Systems Sensors & Transmitters

## GD-70D Replacement Parts & Accessories

### Replacement Parts

Part#	Description	Suggested Retail
06-1272RK	Tubing, teflon, 6x4mm, PTFE .....	4.00
30-1020RK	Pump, RP-70 for GD-70D .....	55.00
31-1011-01	Flow sensor for GD-70D .....	120.00
33-0165RK-01	Filter, Millipore, PTFE, disc type, hydrophobic with tubing, EAGLE, Fixed Systems .....	27.00



## GD-70D Replacement Catalytic / Oxygen / TEOS Sensors

Part#	Description	Suggested Retail
ESU-X23-OXY	Smart transmitter, GD-70D for Oxygen (O2), 0-25% with EC sensor .....	595.00
NCU-6211-C4H10	Sensor, Isobutane (iC4H10) 0-100% LEL, sensor unit .....	395.00
NCU-6211-H2	Sensor, Hydrogen (H2) 0-100% LEL, sensor unit .....	395.00
NCU-6211-H2-20K	Sensor, Hydrogen (H2) 0-2% volume, sensor unit.....	395.00
NCU-6213-CH4	Sensor, Methane (CH4) 0-100% LEL, sensor unit .....	395.00
SSU-1925	Sensor, ionization, GD-70D (Need to specify gas type & range) .....	495.00
SSU-TEOS	Sensor, TEOS 0-15 ppm, ionization sensor unit.....	495.00



## GD-70D Replacement EC Toxic Sensors

Part#	Description	Suggested Retail
ESU-23R-NH3	Sensor, Ammonia (NH3), 0-75 ppm, sensor/amp unit for GD-70D .....	495.00
ESU-23AHS-ASH3	Sensor, Arsine (AsH3), 0-0.20 ppm, sensor/amp unit for GD-70D .....	495.00
ESU-C23F-S-ASH3	Sensor, Arsine (AsH3), 0-50 ppb, sensor/amp unit for GD-70D .....	900.00
ESU-K233-BR2	Sensor, Bromine (Br2), 0-1.0 ppm, sensor/amp unit for GD-70D .....	495.00
ESU-23-CO-150	Sensor, Carbon Monoxide (CO), 0-150 ppm, sensor/amp unit for GD-70D .....	495.00
ESU-237IF-COS	Sensor, Carbonyl Sulfide (COS), 0-15.0 ppm for TP-70DGI .....	495.00
ESU-K233-CL2	Sensor, Chlorine (Cl2), 0-3.0 ppm, sensor/amp unit for GD-70D .....	495.00
ESU-K233CS-CLF3	Sensor, Chlorine Trifluoride (ClF3), 0-0.60 ppm, sensor/amp unit for GD-70D .....	495.00
ESU-K253-COF2	Sensor, Cobalt Difluorine (COF2), 0-6.00 ppm for GD-70D .....	495.00
ESU-23AY-B2H6	Sensor, Diborane (B2H6), 0-0.30 ppm, sensor/amp unit for GD-70D .....	495.00
ESU-23RV-DEA	Sensor, Diethylamine (C2H5)2NH, 0-15.00 ppm, sensor/amp unit for GD-70D .....	495.00
ESU-23RV-DMA	Sensor, Dimethylamine (CH3)2NH, 0-15.00 ppm, sensor/amp unit for GD-70D .....	495.00
ESU-23DH-Si2H6	Sensor, Disilane (Si2H6), 0-15 ppm, sensor/amp unit for GD-70D (with H2 response) .....	495.00
ESU-K233-F2	Sensor, Fluorine (F2), 0-3.0 ppm, sensor/amp unit for GD-70D .....	495.00
ESU-K233M-HCOOH	Sensor, Formic Acid (HCOOH), 0-15.0 ppm for GD-70D .....	495.00
ESU-23DH-GEH4	Sensor, Germane (GeH4), 0-0.80 ppm, sensor/amp unit for GD-70D .....	495.00
ESU-K235L-C4F6	Sensor, Hexafluorobutadiene (C4F6), 0-5.0 ppm for TP-70DII .....	495.00
ESU-23E-N2H4	Sensor, Hydrazine (N2H4), 0-5.00 ppm, sensor/amp unit for GD-70D .....	495.00
ESU-23E-HBR-06	Sensor, Hydrogen Bromide (HBr), 0-6.00 ppm, sensor/amp unit for GD-70D .....	495.00
ESU-23E-HBR-09	Sensor, Hydrogen Bromide (HBr), 0-9.00 ppm, sensor/amp unit for GD-70D .....	495.00
ESU-23E-HCL-15	Sensor, Hydrogen Chloride (HCl), 0-15 ppm, sensor/amp unit for GD-70D (standard range) .....	495.00
ESU-23E-HCL-06	Sensor, Hydrogen Chloride (HCl), 0-6.00 ppm, sensor/amp unit for GD-70D .....	495.00
ESU-23DH-HCN	Sensor, Hydrogen Cyanide (HCN), 0-15 ppm, sensor/amp unit for GD-70D .....	495.00
ESU-K233-HF-09	Sensor, Hydrogen Fluoride (HF), 0-9.0 ppm, sensor/amp unit for GD-70D .....	495.00
ESU-23SD-H2SE	Sensor, Hydrogen Selenide (H2Se), 0-0.20 ppm, sensor/amp unit for GD-70D .....	495.00
ESU-237IF-H2S	Sensor, Hydrogen Sulfide (H2S), 0-1.0 ppm, sensor/amp unit for GD-70D .....	495.00
ESU-237-H2S	Sensor, Hydrogen Sulfide (H2S), 0-30 ppm, sensor/amp unit for GD-70D .....	495.00
ESU-23RV-CH3NH2	Sensor, Methylamine (CH3NH2), 0-15 ppm, sensor/amp unit for GD-70D .....	495.00
ESU-K233-HNO3	Sensor, Nitric Acid (HNO3), 0-20.0 ppm, sensor/amp unit for GD-70D .....	495.00
ESU-23A-NO	Sensor, Nitric Oxide (NO), 0-100 ppm, sensor/amp unit for GD-70D .....	495.00
ESU-23AH-NO2-15	Sensor, Nitrogen Dioxide (NO2), 0-15 ppm, sensor/amp unit for GD-70D .....	495.00
ESU-23AH-NO2-09	Sensor, Nitrogen Dioxide (NO2), 0-9 ppm, sensor/amp unit for GD-70D .....	495.00
ESU-23AH-D-NF3	Sensor, Nitrogen Trifluoride (NF3), 0-30 ppm, sensor/amp unit for GD-70D .....	495.00
ESU-K235L-C5F8	Sensor, Octafluorocyclopentene (C5F8), 0-5 ppm sensor/amp unit for GD-70D .....	495.00
ESU-K239C-S-O3	Sensor, Ozone (O3), 0-0.60 ppm, sensor/amp unit for GD-70D .....	495.00
ESU-K239C-S-O31	Sensor, Ozone (O3), 0-1.00 ppm, sensor/amp unit for GD-70D .....	495.00
ESU-23AH-PH3	Sensor, Phosphine (PH3), 0-1.0 ppm, sensor/amp unit for GD-70D (no H2 response) .....	495.00



# Fixed Systems Sensors & Transmitters

## GD-70D Replacement EC Toxic Sensors (continued)

Part#	Description	Suggested Retail
ESU-23DH-PH3	Sensor, Phosphine (PH3), 0-1.0 ppm, sensor/amp unit for GD-70D (with H2 response) .....	495.00
ESU-23AH-SIH4	Sensor, Silane (SiH4), 0-15 ppm, sensor/amp unit for GD-70D (no H2 response) .....	495.00
ESU-23DH-SIH4	Sensor, Silane (SiH4), 0-15 ppm, sensor/amp unit for GD-70D (with H2 response).....	495.00
ESU-238-SO2	Sensor, Sulfur Dioxide (SO2), 0-6.0 ppm, sensor/amp unit for GD-70D .....	495.00
ESU-23RV-TMA	Sensor, Trimethylamine ((CH3)3N), 0-15 ppm, sensor/amp unit for GD-70D .....	495.00
ESU-23DH-TSA	Sensor, Trisilylamine (Si3H9N), 0-15.0 ppm for GD-70D .....	495.00

## GD-70D Replacement MOS Sensors

Part#	Description	Suggested Retail
SGU-8511-C3H6-2	Sensor, Propylene (C3H6), 0 - 2000 ppm, MOS sensor/amp unit for GD-70D .....	495.00
SGU-8511-C3H6-5	Sensor, Propylene (C3H6), 0 - 5000 ppm, MOS sensor/amp unit for GD-70D .....	495.00
SGU-8511-C3H8-2	Sensor, Propane (C3H8), 0 - 2000 ppm, MOS sensor/amp unit for GD-70D.....	495.00
SGU-8511-C3H8-5	Sensor, Propane (C3H8), 0 - 5000 ppm, MOS sensor/amp unit for GD-70D.....	495.00
SGU-8511-CH4-20	Sensor, Methane (CH4), 0-2.0% vol, MOS sensor/amp unit for GD-70D .....	495.00
SGU-8511-CH4-5K	Sensor, Methane (CH4), 0 - 5000 ppm, MOS sensor/amp unit for GD-70D .....	495.00
SGU-8511-H2-20K	Sensor, Hydrogen (H2), 0-2.0% vol, MOS sensor/amp unit for GD-70D .....	495.00
SGU-8513-DCE-6	Sensor, Dichloroethene (C2H2Cl2), 0 - 600 ppm, MOS sensor/amp unit for GD-70D .....	550.00
SGU-8521-ACE-1K	Sensor, Acetone (C3H6O), 0-1000 ppm, MOS sensor/amp unit for GD-70D .....	495.00
SGU-8521-C2H2-2	Sensor, Acetylene (CH2H2), 0 - 2,000 ppm, MOS sensor/amp unit for GD-70D .....	495.00
SGU-8521-C2H4-2	Sensor, Ethylene (CH2H4), 0 - 2,000 ppm, MOS sensor/amp unit for GD-70D.....	495.00
SGU-8521-C4F6A	Sensor, Hexafluorobutadiene (C4F6), 0 - 200 ppm, MOS sensor/amp unit for GD-70D .....	495.00
SGU-8521-CH3CN	Sensor, Acetonitrile (CH3CN), 0 - 2,000 ppm, MOS sensor/amp unit for GD-70D .....	495.00
SGU-8521-H2-1K	Sensor, Hydrogen (H2), 0-1000 ppm, MOS sensor/amp unit for GD-70D .....	495.00
SGU-8521-H2-500	Sensor, Hydrogen (H2), 0 - 500 ppm, MOS sensor/amp unit for GD-70D .....	495.00
SGU-8521-IPA-2K	Sensor, Isopropylalcohol (CH3CHOHCH3), 0-2000 ppm, MOS sensor/amp unit for GD-70D .....	495.00
SGU-8521-MET-1K	Sensor, Methanol (CH3OH), 0-1000 ppm, MOS sensor/amp unit for GD-70D .....	495.00
SGU-8521-MET-2K	Sensor, Methanol (CH3OH), 0-2000 ppm, MOS sensor/amp unit for GD-70D .....	495.00
SGU-8521-R32-2K	Sensor, Difluoromethane (CH2F2), 0-2000 ppm, MOS sensor/amp unit for GD-70D .....	495.00
SGU-8521-R32-9K	Sensor, Difluoromethane (CH2F2), 0-9000 ppm, MOS sensor/amp unit for GD-70D .....	495.00
SGU-8521-R41-2K	Sensor, Fluoromethane (CH3OH), 0-2000 ppm, MOS sensor/amp unit for GD-70D .....	495.00
SGU-8523-DCM-2K	Sensor, Dichloromethane (DCM), 0-2000 ppm, MOS sensor/amp unit for GD-70D .....	495.00
SGU-8541-H2-1K	Sensor, Hydrogen (H2), 0-1000 ppm, MOS sensor/amp unit for GD-70D .....	495.00
SGU-8541-H2-2K	Sensor, Hydrogen (H2), 0-2000 ppm, MOS sensor/amp unit for GD-70D .....	495.00
SGU-8541-H2-4K	Sensor, Hydrogen (H2), 0-4000 ppm, MOS sensor/amp unit for GD-70D .....	495.00
SGU-8541-H2-500	Sensor, Hydrogen (H2) specific, 0 - 500 ppm, MOS sensor/amp unit for GD-70D .....	495.00
SGU-8562-COS-2K	Sensor, Carbonyl sulfide (COS), 0 - 2000 ppm, MOS sensor/amp unit for GD-70D .....	495.00
SGU-8581-CH4-2K	Sensor, Methane (CH4), 0-2000 ppm, MOS sensor/amp unit for GD-70D .....	495.00

### Notes

- Consult factory for additional PPM ranges available.

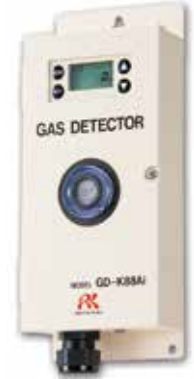
### GD-70D with Pyrolyzer



# Fixed Systems Sensors & Transmitters

## GD-K88Ai Diffusion Sensor / Transmitter For Toxic Gases With Display

(Intrinsically safe when used with I.S. Barrier)



<u>Part#</u>	<u>Description</u>	<u>Suggested Retail</u>
GD-K88Ai-ASH3	Smart transmitter, GD-K88Ai, Arsine (AsH3), 0-0.2 ppm, IS type .....	1,250.00
GD-K88Ai-B2H6	Smart transmitter, GD-K88Ai, Diborane (B2H6), 0-0.3 ppm, IS type.....	1,250.00
GD-K88Ai-BTBAS	Smart transmitter, GD-K88Ai, BTBAS, 0-15 ppm, IS type .....	1,250.00
GD-K88Ai-CL2	Smart transmitter, GD-K88Ai, Chlorine (Cl2), 0-3.00 ppm, IS type .....	1,250.00
GD-K88Ai-CO	Smart transmitter, GD-K88Ai, Carbon Monoxide (CO), 0-150 ppm, IS type .....	1,250.00
GD-K88Ai-H2S-01	Smart transmitter, GD-K88Ai, Hydrogen Sulfide (H2S), 0-1 ppm, IS type .....	1,250.00
GD-K88Ai-H2S-30	Smart transmitter, GD-K88Ai, Hydrogen Sulfide (H2S), 0-30 ppm, IS type .....	1,250.00
GD-K88Ai-HCN	Smart transmitter, GD-K88Ai, Hydrogen Cyanide (HCN), 0-15.0 ppm, IS type .....	1,250.00
GD-K88Ai-NH3	Smart transmitter, GD-K88Ai, Ammonia (NH3), 0-75 ppm, IS type .....	1,250.00
GD-K88Ai-PH3	Smart transmitter, GD-K88Ai, Phosphine (PH3), 0-1 ppm, IS type .....	1,250.00
GD-K88Ai-Si2H6	Smart transmitter, GD-K88Ai, Disilane (Si2H6), 0-15 ppm, IS type .....	1,250.00
GD-K88Ai-SiH4-AH	Smart transmitter, GD-K88Ai, Silane (SiH4), 0-15 ppm, AH sensor, low H2 response, IS type .....	1,250.00
GD-K88Ai-SiH4-DH	Smart transmitter, GD-K88Ai, Silane (SiH4), 0-15 ppm, DH sensor, with H2 response, IS type .....	1,250.00

## Replacement Sensors

<u>Part#</u>	<u>Description</u>	<u>Suggested Retail</u>
ESM-23-CO	Sensor, Carbon Monoxide (CO), 0-150 ppm, for GD-K88Ai, GD-K71D, GD-K77D, and SC-8000 .....	480.00
ESM-238-SO2	Sensor, Sulfur Dioxide (SO2), 0-6 ppm, for GD-K71D, GD-K77D, and SC-8000.....	480.00
ESM-23AH-NO2	Sensor, Nitrogen Dioxide (NO2), 0-15 ppm, for GD-K88Ai, GD-K71D, GD-K77D, and SC-8000 .....	480.00
ESM-23AH-PH3	Sensor, Phosphine (PH3), 0-1 ppm, for GD-K88Ai, GD-K71D, GD-K77D, and SC-8000 .....	480.00
ESM-23AH-SiH4	Sensor, Silane (SiH4), 0-15 ppm, low H2 response, for GD-K88Ai, GD-K71D, GD-K77D, and SC-8000 .....	480.00
ESM-23AHS-ASH3	Sensor, Arsine (AsH3), 0-0.2 ppm, for GD-K88Ai, GD-K71D, GD-K77D, and SC-8000 .....	480.00
ESM-23AY-B2H6	Sensor, Diborane (B2H6), 0-0.3 ppm, for GD-K88Ai, GD-K71D, GD-K77D, and SC-8000 .....	480.00
ESM-23DH-GEH4	Sensor, Germane (GeH4), 0-0.8 ppm, for GD-K88Ai, GD-K71D, GD-K77D, and SC-8000 .....	480.00
ESM-23DH-HCN	Sensor, Hydrogen Cyanide (HCN), 0-15 ppm, for GD-K88Ai, GD-K71D, GD-K77D, and SC-8000 .....	480.00
ESM-23DH-MS	Sensor, Methyl Silane (CH3SiH3), 0-20 ppm, for GD-K88Ai, GD-K71D, GD-K77D, and SC-8000 .....	480.00
ESM-23DH-Si2H6	Sensor, Disilane (Si2H6), 0-15 ppm, for GD-K88Ai, GD-K71D, GD-K77D, and SC-8000 .....	480.00
ESM-23DH-SiH4	Sensor, Silane (SiH4), 0-15 ppm, for GD-K88Ai, GD-K71D, GD-K77D, and SC-8000, with H2 response .....	480.00
ESM-23E-SO2	Sensor, Sulfur Dioxide (SO2), 0-30 ppm, for GD-K88Ai, GD-K71D, GD-K77D, and SC-8000.....	480.00
ESM-23R-NH3	Sensor, Ammonia (NH3), 0-75 ppm, for GD-K88Ai, GD-K71D, GD-K77D, and SC-8000 .....	480.00
ESM-23RH-NH3	Sensor, Ammonia (NH3), 0-75 ppm, for GD-K88Ai, GD-K71D, GD-K77D, and SC-8000, high humidity use .....	480.00
ESM-K233-CL2	Sensor, Chlorine (Cl2), 0-3 ppm, for GD-K88Ai, GD-K71D, GD-K77D, and SC-8000 .....	480.00
ESM-K233-HCL	Sensor, Hydrogen Chloride (HCl), 0-15 ppm, for GD-K88Ai, GD-K71D, GD-K77D, and SC-8000 .....	480.00

### Notes

- The previously listed gases can be detected with the GD-K88Ai, however a sample drawing system is recommended for: BCl3, HF, HBr, HCl, HCN, and O3.

## GD-K88Ai Diffusion Sensor / Transmitter For Toxic Gases With Display

### Accessories

<u>Part#</u>	<u>Description</u>	<u>Suggested Retail</u>
21-0401	Housing, polycarbonate with clear cover for up to 4 MTL5500 series barriers .....	400.00
21-0402	Housing, polyester with clear cover for up to 10 MTL5500 series barriers .....	1,440.00
43-7013	IS Barrier, isolator, 2- or 3-wire 4-20 mA transmitter or HART, MTL5541 .....	880.00
81-1114RK	Cal cup, diffusion, super toxic, GD-K8A, (rim feed) .....	26.00

# AirLink Wireless Controllers & Transmitters

## AirLink 7010 Hybrid Controller, 32 & 64 Channels

- Accepts up to 32 or 64 wireless transmitters input
- Hybrid input accepts up to 4 wired 4-20 transmitters in
- 4 programmable alarm relays out
- AC or DC versions available. AC versions come with power cord and cable grip.

### 900 MHz Radio (Standard for North American use)

<u>Part#</u>	<u>Description</u>	<u>Suggested Retail</u>
74-7910-A-32	Airlink 7010 controller, 32 channels with 100-240 VAC, 900 MHz radio	2,900.00
74-7910-D-32	Airlink 7010 controller, 32 channels with 12-35 VDC, 900 MHz radio ...	2,680.00
74-7910-A-64	Airlink 7010 controller, 64 channels with 100-240 VAC, 900 MHz radio	3,630.00
74-7910-D-64	Airlink 7010 controller, 64 channels with 12-35 VDC, 900 MHz radio ...	3,450.00

### 2.4 GHz Radio (International use)

<u>Part#</u>	<u>Description</u>	<u>Suggested Retail</u>
74-7210-A-32	Airlink 7010 controller, 32 channels with 100-240 VAC, 2.4 GHz radio...	2,900.00
74-7210-D-32	Airlink 7010 controller, 32 channels with 12-35 VDC, 2.4 GHz radio ...	2,680.00
74-7210-A-64	Airlink 7010 controller, 64 channels with 100-240 VAC, 2.4 GHz radio...	3,630.00
74-7210-D-64	Airlink 7010 controller, 64 channels with 12-35 VDC, 2.4 GHz radio ...	3,450.00



Shown with ***optional*** light & horn

## Add-Ons for AirLink 7010

To add an alarm strobe or buzzer select from the part #'s below. Each item utilizes 1 relay.

<u>Part#</u>	<u>Description</u>	<u>Suggested Retail</u>
Z481-EMA-KIT	Strobe adder, amber .....	180.00
Z481-EMB-KIT	Strobe adder, blue .....	180.00
Z481-EMR-KIT	Strobe adder, red .....	180.00
Z481-EMW-KIT	Strobe adder, clear .....	180.00
Z488-KIT	Audible alarm buzzer adder .....	110.00

## Replacement Parts for AirLink 7010

<u>Part#</u>	<u>Description</u>	<u>Suggested Retail</u>
47-5111-100	Antenna extension cable, 100 feet, N-male to N-female for AirLink models .....	650.00
47-5111-15	Antenna extension cable, 15 feet, N-male to N-female for AirLink models .....	165.00
47-5111-25	Antenna extension cable, 25 feet, N-male to N-female for AirLink models .....	215.00
47-5111-50	Antenna extension cable, 50 feet, N-male to N-female for AirLink models .....	330.00
ZAN-900-RIGID-S	Antenna, rigid dipole, 900 MHz, N-male, straight .....	238.00

# AirLink Wireless Controllers & Transmitters

## AirLink 7032 Hybrid Controller, 32 & 64 Channels with Touch Screen Display

- Accepts up to 32 wireless transmitters in
- Hybrid input accepts up to 4 wired 4-20 transmitters in
- Touchscreen color display
- 4 programmable alarm relays out
- Modbus out
- AC or DC versions available. AC versions come with power cord and cable grip.
- Data logging included



### 900 MHz Radio (Standard for North American use)

<u>Part#</u>	<u>Description</u>	<u>Suggested Retail</u>
74-7932-A-32	Airlink 7032 controller, 32 channels with 100-240 VAC, 4 relays, Modbus out, 900 MHz radio .....	4,300.00
74-7932-D-32	Airlink 7032 controller, 32 channels with 12-35 VDC, 4 relays, Modbus out, 900 MHz radio .....	4,080.00
74-7932-A-64	Airlink 7032 controller, 64 channels with 100-240 VAC, 4 relays, Modbus out, 900 MHz radio .....	5,080.00
74-7932-D-64	Airlink 7032 controller, 64 channels with 12-35 VDC, 4 relays, Modbus out, 900 MHz radio .....	4,885.00

### 2.4 GHz Radio (International use)

<u>Part#</u>	<u>Description</u>	<u>Suggested Retail</u>
74-7232-A-32	Airlink 7032 controller, 32 channels with 100-240 VAC power, 4 relays, Modbus out, 2.4 GHz radio .....	4,300.00
74-7232-D-32	Airlink 7032 controller, 32 channels with 12-35 VDC power, 4 relays, Modbus out, 2.4 GHz radio .....	4,080.00
74-7232-A-64	Airlink 7032 controller, 64 channels with 100-240 VAC power, 4 relays, Modbus out, 2.4 GHz radio .....	5,080.00
74-7232-D-64	Airlink 7032 controller, 64 channels with 12-35 VDC power, 4 relays, Modbus out, 2.4 GHz radio .....	4,885.00

## Add-Ons for AirLink 7032

To add an alarm strobe or buzzer select from the part #'s below. Each item utilizes 1 relay.

<u>Part#</u>	<u>Description</u>	<u>Suggested Retail</u>
Z481-EMA-KIT	Strobe adder, amber .....	180.00
Z481-EMB-KIT	Strobe adder, blue .....	180.00
Z481-EMR-KIT	Strobe adder, red .....	180.00
Z481-EMW-KIT	Strobe adder, clear .....	180.00
Z488-KIT	Audible alarm buzzer adder .....	110.00

## Replacement Parts for AirLink 7010

<u>Part#</u>	<u>Description</u>	<u>Suggested Retail</u>
47-5111-100	Antenna extension cable, 100 feet, N-male to N-female for AirLink models .....	650.00
47-5111-15	Antenna extension cable, 15 feet, N-male to N-female for AirLink models .....	165.00
47-5111-25	Antenna extension cable, 25 feet, N-male to N-female for AirLink models .....	215.00
47-5111-50	Antenna extension cable, 50 feet, N-male to N-female for AirLink models .....	330.00
ZAN-900-RIGID-S	Antenna, rigid dipole, 900 MHz, N-male, straight .....	238.00

# AirLink Wireless Controllers & Transmitters

## AirLink 7543 Controller, 6 Channel with Modbus or HART

- Accepts up to 6 wireless transmitters input
- 3 programmable alarm relays out
- RS-485 Modbus out
- Includes WirelessHart output
- AC or DC versions available. AC versions come with power cord and cable grip.

### 900 MHz Radio (Standard for North American use)

<u>Part#</u>	<u>Description</u>	<u>Suggested Retail</u>
74-7943-A	Airlink 7543 controller, 6 channel with 100-240 VAC power, 3 relays, Modbus out, 900 MHz radio .....	2,280.00
74-7943-D	Airlink 7543 controller, 6 channel with 12-35 VDC power, 3 relays, Modbus out, 900 MHz radio .....	2,060.00

### 2.4 GHz Radio (International use)

<u>Part#</u>	<u>Description</u>	<u>Suggested Retail</u>
74-7243-A	Airlink 7543 controller, 6 channel with 100-240 VAC power, 3 relays, Modbus out, 2.4 MHz radio .....	2,280.00
74-7243-D	Airlink 7543 controller, 6 channel with 12-35 VDC power, 3 relays, Modbus out, 2.4 MHz radio .....	2,060.00



Shown with ***optional*** light & horn

## Add-Ons for AirLink 7543

To add an alarm strobe or buzzer select from the part #'s below. Each item utilizes 1 relay.

<u>Part#</u>	<u>Description</u>	<u>Suggested Retail</u>
Z481-EMA-KIT	Strobe adder, amber .....	180.00
Z481-EMB-KIT	Strobe adder, blue .....	180.00
Z481-EMR-KIT	Strobe adder, red .....	180.00
Z481-EMW-KIT	Strobe adder, clear .....	180.00
Z488-KIT	Audible alarm buzzer adder .....	110.00

## Replacement Parts for AirLink 7543

<u>Part#</u>	<u>Description</u>	<u>Suggested Retail</u>
47-5111-100	Antenna extension cable, 100 feet, N-male to N-female for AirLink models .....	650.00
47-5111-15	Antenna extension cable, 15 feet, N-male to N-female for AirLink models .....	165.00
47-5111-25	Antenna extension cable, 25 feet, N-male to N-female for AirLink models .....	215.00
47-5111-50	Antenna extension cable, 50 feet, N-male to N-female for AirLink models .....	330.00
ZAN-900-RIGID-S	Antenna, rigid dipole, 900 MHz, N-male, straight .....	238.00

# AirLink Wireless Controllers & Transmitters

## AirLink 9850, 255 Channel Digital Interface

- 255 wireless channels in
- RS-232 or RS-485 Modbus out
- AC or DC versions available. AC versions are supplied with loose power cord and 2 wiring hubs.



### ORDERING INFORMATION:

- AirLink 9850 is supplied with 2 wiring hubs on the bottom of the housing. Hubs can be installed on top or sides IF specified at the time of ordering.
- To add 4-20 mA outputs, add the following amount to the list price based on the number of 4-20 mA outputs required:
 

0	no 4-20 mA	add \$0.00 to the price and -0 to the end of the part #
8	each 4-20 mA	add \$570 to the price and -8 to the end of the part #
16	each 4-20 mA	add \$1,140 to the price and -16 to the end of the part #
24	each 4-20 mA	add \$1,710 to the price and -24 to the end of the part #
32	each 4-20 mA	add \$2,280 to the price and -32 to the end of the part #

### 900 MHz Radio (Standard for North American use)

<u>Part#</u>	<u>Description</u>	<u>Suggested Retail</u>
74-9850-9-A	AirLink 9850 Interface, 255 wireless channels with 100-240 VAC power and 900 MHz radio, RS-232/RS-485 Modbus output .....	2,520.00
74-9850-9-D	AirLink 9850 Interface, 255 wireless channels with 12-35 VDC power and 900 MHz radio, RS-232/RS-485 Modbus output .....	2,320.00

### 2.4 GHz Radio (International use)

<u>Part#</u>	<u>Description</u>	<u>Suggested Retail</u>
74-9850-2-A	AirLink 9850 Interface, 255 wireless channels with 100-240 VAC power and 2.4 GHz radio, RS-232/RS-485 Modbus output .....	2,520.00
74-9850-2-D	AirLink 9850 Interface, 255 wireless channels with 12-35 VDC power and 2.4 GHz radio, RS-232/RS-485 Modbus output .....	2,320.00

### Add-Ons for AirLink 9850

<u>Part#</u>	<u>Description</u>	<u>Suggested Retail</u>
18-0051RK-01	Cable grip with reducer for AC power cord .....	28.00

# Fixed Systems Sensors & Transmitters

## AirLink 9100 Portable Signal Strength Meter (Handheld Portable)

- Measure signal strength of wireless transmitters or repeaters
- Displays radio address, gas reading, RF signal strength, sensor type, battery voltage

Part#	Description	Suggested Retail
74-9100-9	AirLink 9100 Signal strength meter, 900 MHz radio, Li-Ion batteries ...	1,320.00
74-9100-2	AirLink 9100 Signal strength meter, 2.4 GHz radio, Li-Ion batteries .....	1,320.00



## Replacement Parts for AirLink 9100

Part#	Description	Suggested Retail
Z401-12V1A	AC power supply, 12 VDC/1A output, 120 VAC input, 2.1 x 5.5 mm barrel plug, for AirLink 9100 .....	175.00

## AirLink 9900 Signal Repeater, Explosion Proof

900 MHz Radio (Standard for North American use)

Part#	Description	Suggested Retail
66-9900-9	AirLink 9900 signal repeater, 900 MHz radio, 12-35 VDC power, with one flexible antenna and one right-angle antenna .....	3,420.00
66-9900-2	AirLink 9900 signal repeater, 2.4 GHz radio, 12-35 VDC power, with one flexible antenna and one right-angle antenna .....	3,420.00



## AirLink 9900 Signal Repeater, Non Explosion Proof

Part#	Description	Suggested Retail
66-9900-9N-A	AirLink 9900 signal repeater, 900 MHz radio with one flexible and one right angle antenna, 100-240 VAC power with power cord and cable grip, non-explosion proof .....	1,760.00
66-9900-2N-A	AirLink 9900 signal repeater, 2.4 GHz radio with one flexible and one right angle antenna, 100-240 VAC power with power cord and cable grip, non-explosion proof .....	1,760.00
66-9900-9N-D	AirLink 9900 signal repeater, 900 MHz radio with one flexible and one right angle antenna, 12-35 VDC power, non-explosion proof	1,540.00
66-9900-2N-D	AirLink 9900 signal repeater, 2.4 GHz radio with one flexible and one right angle antenna, 12-35 VDC power, non-explosion proof	1,540.00



## AirLink 5900 4-20 mA Analog to Wireless Converter

Part#	Description	Suggested Retail
66-5900-9	AirLink 5900 4-20mA to wireless converter, 900 MHz radio, 12-35 VDC wire powered .....	1,830.00
66-5900-2	AirLink 5900 4-20mA to wireless converter, 2.4 GHz radio, 12-35 VDC wire powered .....	1,830.00



## AirLink 5950 Switch-State Transmitter

Part#	Description	Suggested Retail
66-5950-2	AirLink dual switch-state, explosion proof, 2.4 GHz radio, battery powered .....	1,370.00
66-5950-9	AirLink dual switch-state, explosion proof, 900 MHz radio, battery powered .....	1,370.00



# AirLink Wireless Controllers & Transmitters

## AirLink 7530 Relay Module, Non Explosion Proof

- Accepts up to 32 wireless transmitters input
- 3 programmable alarm relays out
- AC or DC versions available. AC versions come with power cord and cable grip.

### 900 MHz Radio (Standard for North American use)

<u>Part#</u>	<u>Description</u>	<u>Suggested Retail</u>
66-7530-9N-A	AirLink 7530 relay module, 32 wireless channels with 100-240 VAC power, 900 MHz radio, non explosion proof .....	2,300.00
66-7530-9N-D	AirLink 7530 relay module, 32 wireless channels with 12-35 VDC power, 900 MHz radio, non explosion proof .....	2,080.00

### 2.4 GHz Radio (International use)

<u>Part#</u>	<u>Description</u>	<u>Suggested Retail</u>
66-7530-2N-A	AirLink 7530 relay module, 32 wireless channels with 100-240 VAC power, 2.4 GHz radio, non explosion proof .....	2,300.00
66-7530-2N-D	AirLink 7530 relay module, 32 wireless channels with 12-35 VDC power, 2.4 GHz radio, non explosion proof.....	2,080.00



Shown with **optional** light & horn

## Add-Ons for AirLink 7530

To add an alarm strobe or buzzer select from the part #'s below. Each item utilizes 1 relay.

<u>Part#</u>	<u>Description</u>	<u>Suggested Retail</u>
Z481-EMA-KIT	Strobe adder, amber .....	180.00
Z481-EMB-KIT	Strobe adder, blue .....	180.00
Z481-EMR-KIT	Strobe adder, red .....	180.00
Z481-EMW-KIT	Strobe adder, clear .....	180.00
Z488-KIT	Audible alarm buzzer adder .....	110.00

## AirLink 7530XP Relay Module, Explosion Proof

- Accepts up to 32 wireless transmitters input
- 3 programmable alarm relays out

### 900 MHz Radio (Standard for North American use)

<u>Part#</u>	<u>Description</u>	<u>Suggested Retail</u>
66-7530-9X-A	AirLink 7530 wireless relay, explosion proof, 900 MHz radio, 100-240 VAC power .....	3,680.00
66-7530-9X-D	AirLink 7530 wireless relay, explosion proof, 900 MHz radio, 12-35 VDC power .....	3,480.00

### 2.4 GHz Radio (International use)

<u>Part#</u>	<u>Description</u>	<u>Suggested Retail</u>
66-7530-2X-A	AirLink 7530 wireless relay, explosion proof, 2.4 GHz radio, 100-240 VAC power .....	3,680.00
66-7530-2X-D	AirLink 7530 wireless relay, explosion proof, 2.4 GHz radio, 12-35 VDC power .....	3,480.00





# AirLink Wireless Controllers & Transmitters

## AirLink 6900 Wireless Transmitter, Dual Battery Powered, Explosion Proof

- Explosion Proof, Class I, Division 1 for CO, H2S, O2, LEL, & CO2
- Class I, Division 2 for all other gases
- Transmitters ship with rain guard & magnetic wand as standard



### Ordering Information

66-69[Sensor Designator]-[Range suffix]-[Radio Frequency=W (900)/Y(2.4)]

Part#	Description	Suggested Retail
66-6906-10-W	Airlink 6900, Ammonia (NH3) 0-100 ppm, dual battery, wireless transmitter, 900 MHz radio .....	3,650.00
66-6906-1K-W	Airlink 6900, Ammonia (NH3) 0-1000 ppm, dual battery, wireless transmitter, 900 MHz radio .....	3,650.00
66-6968-01-W	Airlink 6900, Arsine (AH3) 0-1 ppm, dual battery, wireless transmitter, 900 MHz radio .....	4,235.00
66-6967-05-W	Airlink 6900, Carbon Dioxide (CO2) 0-5% vol, LPIR, dual battery, wireless transmitter, 900 MHz radio ...	4,100.00
66-6901-1K-W	Airlink 6900, Carbon Monoxide (CO) 0-1000 ppm, dual battery, wireless transmitter, 900 MHz radio ...	3,495.00
66-6912-10-W	Airlink 6900, Chlorine (Cl2) 0-10 ppm, dual battery, wireless transmitter, 900 MHz radio .....	3,650.00
66-6913-01-W	Airlink 6900, Chlorine Dioxide (ClO2) 0-1 ppm, dual battery, wireless transmitter, 900 MHz radio .....	3,650.00
66-6960-10-W	Airlink 6900, Combustibles (CH4) 0-100% LEL, LPIR, dual battery, wireless transmitter, 900 MHz radio	4,100.00
66-6963-10-W	Airlink 6900, Combustibles (HC) 0-100% LEL, LPIR, dual battery, wireless transmitter, 900 MHz radio ...	4,100.00
66-6962-10-W	Airlink 6900, Combustibles (HC) 0-100% vol, LPIR, dual battery, wireless transmitter, 900 MHz radio ...	4,100.00
66-6916-10-W	Airlink 6900, Ethylene Oxide (ETO) 0-10 ppm, dual battery, wireless transmitter, 900 MHz radio .....	4,100.00
66-6911-10-W	Airlink 6900, Formaldehyde (HCHO) 0-10 ppm, dual battery, wireless transmitter, 900 MHz radio .....	4,100.00
66-6939-40-W	Airlink 6900, Hydrogen (H2), 0-100% LEL (0-4% vol), EC, dual battery,wireless transmitter,900 MHz radio	4,100.00
66-6904-20-W	Airlink 6900, Hydrogen Chloride (HCl) 0-20 ppm, dual battery, wireless transmitter, 900 MHz radio ...	3,650.00
66-6904-99-W	Airlink 6900, Hydrogen Chloride (HCl) 0-100 ppm, dual battery, wireless transmitter, 900 MHz radio ...	3,650.00
66-6905-50-W	Airlink 6900, Hydrogen Cyanide (HCN) 0-50 ppm, dual battery, wireless transmitter, 900 MHz radio ...	3,650.00
66-6914-10-W	Airlink 6900, Hydrogen Fluoride (HF) 0-10 ppm, dual battery, wireless transmitter, 900 MHz radio .....	4,100.00
66-6903-01-W	Airlink 6900, Hydrogen Sulfide (H2S) 0-10 ppm, dual battery, wireless transmitter, 900 MHz radio .....	3,495.00
66-6903-02-W	Airlink 6900, Hydrogen Sulfide (H2S) 0-25 ppm, dual battery, wireless transmitter, 900 MHz radio .....	3,495.00
66-6903-05-W	Airlink 6900, Hydrogen Sulfide (H2S) 0-50 ppm, dual battery, wireless transmitter, 900 MHz radio .....	3,495.00
66-6903-10-W	Airlink 6900, Hydrogen Sulfide (H2S) 0-100 ppm, dual battery, wireless transmitter, 900 MHz radio ...	3,495.00
66-6903-50-W	Airlink 6900, Hydrogen Sulfide (H2S) 0-500 ppm, dual battery, wireless transmitter, 900 MHz radio ...	3,495.00
66-6903-2K-W	Airlink 6900, Hydrogen Sulfide (H2S) 0-2000 ppm, dual battery, wireless transmitter, 900 MHz radio ...	3,495.00
66-6907-25-W	Airlink 6900, Nitric Oxide (NO) 0-25 ppm, dual battery, wireless transmitter, 900 MHz radio .....	3,650.00
66-6908-20-W	Airlink 6900, Nitrogen Dioxide (NO2) 0-20 ppm, dual battery, wireless transmitter, 900 MHz radio .....	3,650.00
66-6902-25-W	Airlink 6900, Oxygen (O2) 0-25% vol, dual battery, wireless transmitter, 900 MHz radio .....	3,650.00
66-6909-05-W	Airlink 6900, Ozone (O3) 0-5 ppm, dual battery, wireless transmitter, 900 MHz radio .....	3,650.00
66-6909-99-W	Airlink 6900, Ozone (O3) 0-100 ppm, dual battery, wireless transmitter, 900 MHz radio .....	3,650.00
66-6915-05-W	Airlink 6900, Phosphine (PH3) 0-5 ppm, dual battery, wireless transmitter, 900 MHz radio .....	4,235.00
66-6910-20-W	Airlink 6900, Sulfur Dioxide (SO2) 0-20 ppm, dual battery, wireless transmitter, 900 MHz radio .....	3,650.00
66-6992-01-W	Airlink 6900, VOC (10.6 eV PID) 0-10 ppm, dual battery, wireless transmitter, 900 MHz radio .....	4,640.00
66-6992-02-W	Airlink 6900, VOC (10.6 eV PID) 0-20 ppm, dual battery, wireless transmitter, 900 MHz radio .....	4,640.00
66-6992-50-W	Airlink 6900, VOC (10.6 eV PID) 0-50 ppm, dual battery, wireless transmitter, 900 MHz radio .....	4,640.00
66-6993-10-W	Airlink 6900, VOC (10.6 eV PID) 0-100 ppm, dual battery, wireless transmitter, 900 MHz radio .....	4,480.00
66-6993-20-W	Airlink 6900, VOC (10.6 eV PID) 0-200 ppm, dual battery, wireless transmitter, 900 MHz radio .....	4,480.00
66-6993-50-W	Airlink 6900, VOC (10.6 eV PID) 0-500 ppm, dual battery, wireless transmitter, 900 MHz radio .....	4,480.00
66-6993-1K-W	Airlink 6900, VOC (10.6 eV PID) 0-1000 ppm, dual battery, wireless transmitter, 900 MHz radio .....	4,480.00
66-6993-2K-W	Airlink 6900, VOC (10.6 eV PID) 0-2000 ppm, dual battery, wireless transmitter, 900 MHz radio .....	4,480.00
66-6995-01-W	Airlink 6900, VOC (10.0 eV PID) 0-10 ppm, dual battery, wireless transmitter, 900 MHz radio .....	4,740.00
66-6995-02-W	Airlink 6900, VOC (10.0 eV PID) 0-20 ppm, dual battery, wireless transmitter, 900 MHz radio .....	4,740.00
66-6995-05-W	Airlink 6900, VOC (10.0 eV PID) 0-50 ppm, dual battery, wireless transmitter, 900 MHz radio .....	4,740.00
66-6995-10-W	Airlink 6900, VOC (10.0 eV PID) 0-100 ppm, dual battery, wireless transmitter, 900 MHz radio .....	4,740.00
66-6994-10-W	Airlink 6900, VOC (11.7 eV PID) 0-100 ppm, dual battery, wireless transmitter, 900 MHz radio .....	4,740.00

# AirLink Wireless Controllers & Transmitters

## **Replacement Parts and Accessories for AirLink 6900**

<b>Part#</b>	<b>Description</b>	<b>Suggested Retail</b>
47-5110-7-XX	Cable with 7-pin connector to remote mount sensor (battery powered) for explosion proof and non-explosion proof, price per foot (specify length in place of -XX) .....	7.20
47-5111-100	Antenna extension cable, 100 feet, N-male to N-female for AirLink models .....	650.00
47-5111-15	Antenna extension cable, 15 feet, N-male to N-female for AirLink models .....	165.00
47-5111-25	Antenna extension cable, 25 feet, N-male to N-female for AirLink models .....	215.00
47-5111-50	Antenna extension cable, 50 feet, N-male to N-female for AirLink models .....	330.00
49-1416-01	Battery, Lithium-thionyl, non-rechargeable, 3.6 VDC 19 AH with connector for AirLink 6900 and AirLink Alert, (2 required) .....	35.00
61-2003	Remote sensor mounting kit, explosion proof with 7-pin connector for T2A/AirLink 6900/AirLink 6940XP (order cable separate) .....	410.00
81-1183	Cal cup with 3 ft 1/8" ID x 1/4" OD teflon tubing for T2A/T3A/VOC Pro/AirLink 6900 type detectors .....	160.00
81-1184	Rain guard for T2A/T3A/VOC Pro type explosion proof detector .....	20.00
82-0101RK	Magnetic wand, for M2A/T2A/T3A/VOC Pro/Air Alert/AirLink Transmitters .....	15.00
82-0120-02	Magnets (2 each) adder hardware for T3A/VOC Pro type j-box .....	26.00
ZAN-900-FLEX-R	Antenna, flexible dipole, 900 MHz, N-male, right-angle .....	170.00

# AirLink Wireless Controllers & Transmitters

## AirLink T3A Wireless Transmitter, Wire Powered, Explosion Proof, No Relays

- Explosion Proof, Class I, Division 1 for CO, H2S, O2, LEL, & CO2
- Class I, Division 2 for all other gases
- 12-35 VDC wire powered
- Add -R and \$220 to add 2 relays



Part#	Description	Suggested Retail
66-6306-10-W	AirLink T3A sensor/transmitter with j-box, Ammonia (NH3), 0-100 ppm with 900 MHz radio .....	3,550.00
66-6306-20-W	AirLink T3A sensor/transmitter with j-box, Ammonia (NH3), 0-200 ppm with 900 MHz radio .....	3,550.00
66-6306-30-W	AirLink T3A sensor/transmitter with j-box, Ammonia (NH3), 0-300 ppm with 900 MHz radio .....	3,550.00
66-6306-50-W	AirLink T3A sensor/transmitter with j-box, Ammonia (NH3), 0-500 ppm with 900 MHz radio .....	3,550.00
66-6306-1K-W	AirLink T3A sensor/transmitter with j-box, Ammonia (NH3), 0-1000 ppm with 900 MHz radio .....	3,550.00
66-6368-01-W	AirLink T3A sensor/transmitter with j-box, Arsine (AsH3), 0-1 ppm with 900 MHz radio .....	4,135.00
66-6354-05-W	AirLink T3A sensor/transmitter with j-box, Carbon Dioxide (CO2), IR, 0-5000 ppm with 900 MHz radio .....	4,000.00
66-6350-05-W	AirLink T3A sensor/transmitter with j-box, Carbon Dioxide (CO2) IR, 0-5% vol with 900 MHz radio .....	4,000.00
66-6301-05-W	AirLink T3A sensor/transmitter with j-box, Carbon Monoxide (CO), 0-500 ppm with 900 MHz radio ...	3,395.00
66-6301-1K-W	AirLink T3A sensor/transmitter with j-box, Carbon Monoxide (CO), 0-1,000 ppm with 900 MHz radio ...	3,395.00
66-6312-10-W	AirLink T3A sensor/transmitter with j-box, Chlorine (Cl2), 0-10 ppm with 900 MHz radio .....	3,550.00
66-6313-01-W	AirLink T3A sensor/transmitter with j-box, Chlorine Dioxide (ClO2), 0-1 ppm with 900 MHz radio .....	3,550.00
66-6316-10-W	AirLink T3A sensor/transmitter with j-box, Ethylene Oxide (ETO), 0-10 ppm with 900 MHz radio .....	4,000.00
66-6311-10-W	AirLink T3A sensor/transmitter with j-box, Formaldehyde (HCHO), 0-10 ppm with 900 MHz radio .....	4,000.00
66-6340-10-W	AirLink T3A sensor/transmitter with j-box, Hydrocarbon (CH4) 0-100%LEL, catalytic with 900 MHz radio .....	3,395.00
66-6351-10-W	AirLink T3A sensor/transmitter with j-box, Hydrocarbon (CH4) 0-100% LEL, IR with 900 MHz radio .....	4,000.00
66-6352-99-W	AirLink T3A sensor/transmitter with j-box, Hydrocarbon (CH4) 0-100% vol, IR with 900 MHz radio .....	4,000.00
66-6353-10-W	AirLink T3A sensor/transmitter with j-box, Hydrocarbon (HC) 0-100% LEL, IR with 900 MHz radio .....	4,000.00
66-6339-40-W	AirLink T3A sensor/transmitter with j-box, Hydrogen (H2) 0-100% vol, IR with 900 MHz radio .....	4,000.00
66-6304-20-W	AirLink T3A sensor/transmitter with j-box, Hydrogen Chloride (HCl), 0-20 ppm with 900 MHz radio ...	3,550.00
66-6304-30-W	AirLink T3A sensor/transmitter with j-box, Hydrogen Chloride (HCl), 0-30 ppm with 900 MHz radio .....	3,550.00
66-6304-99-W	AirLink T3A sensor/transmitter with j-box, Hydrogen Chloride (HCl), 0-100 ppm with 900 MHz radio ...	3,550.00
66-6305-15-W	AirLink T3A sensor/transmitter with j-box, Hydrogen Cyanide (HCN), 0-15 ppm with 900 MHz radio ...	3,550.00
66-6305-50-W	AirLink T3A sensor/transmitter with j-box, Hydrogen Cyanide (HCN), 0-50 ppm with 900 MHz radio ...	3,550.00
66-6314-10-W	AirLink T3A sensor/transmitter with j-box, Hydrogen Fluoride (HF), 0-10 ppm with 900 MHz radio .....	4,000.00
66-6303-01-W	AirLink T3A sensor/transmitter with j-box, Hydrogen Sulfide (H2S), 0-10 ppm with 900 MHz radio .....	3,395.00
66-6303-02-W	AirLink T3A sensor/transmitter with j-box, Hydrogen Sulfide (H2S), 0-25 ppm with 900 MHz radio .....	3,395.00
66-6303-05-W	AirLink T3A sensor/transmitter with j-box, Hydrogen Sulfide (H2S), 0-50 ppm with 900 MHz radio .....	3,395.00
66-6303-10-W	AirLink T3A sensor/transmitter with j-box, Hydrogen Sulfide (H2S), 0-100 ppm with 900 MHz radio ...	3,395.00
66-6303-50-W	AirLink T3A sensor/transmitter with j-box, Hydrogen Sulfide (H2S), 0-500 ppm with 900 MHz radio ...	3,395.00
66-6303-2K-W	AirLink T3A sensor/transmitter with j-box, Hydrogen Sulfide (H2S), 0-2000 ppm with 900 MHz radio ...	3,395.00
66-6307-25-W	AirLink T3A sensor/transmitter with j-box, Nitric Oxide (NO), 0-250 ppm with 900 MHz radio .....	3,550.00
66-6308-20-W	AirLink T3A sensor/transmitter with j-box, Nitrogen Dioxide (NO2), 0-20 ppm with 900 MHz radio .....	3,550.00
66-6302-25-W	AirLink T3A sensor/transmitter with j-box, Oxygen (O2) capillary, 0-25% with 900 MHz radio .....	3,550.00
66-6309-05-W	AirLink T3A sensor/transmitter with j-box, Ozone (O3), 0-5 ppm with 900 MHz radio .....	3,550.00
66-6309-99-W	AirLink T3A sensor/transmitter with j-box, Ozone (O3), 0-100 ppm with 900 MHz radio .....	3,550.00
66-6315-05-W	AirLink T3A sensor/transmitter with j-box, Phosphine (PH3), 0-5 ppm with 900 MHz radio .....	4,135.00
66-6310-20-W	AirLink T3A sensor/transmitter with j-box, Sulfur Dioxide (SO2), 0-20 ppm with 900 MHz radio .....	3,550.00

## Replacement Parts and Accessories for AirLink T3A

Part#	Description	Suggested Retail
47-5110-5-XX	Cable with 5-pin connector to remote mount sensor for explosion proof and non-explosion proof, price per foot (specify length in place of -XX) .....	7.20
47-5111-100	Antenna extension cable, 100 feet, N-male to N-female for AirLink models .....	650.00
47-5111-15	Antenna extension cable, 15 feet, N-male to N-female for AirLink models .....	165.00
47-5111-25	Antenna extension cable, 25 feet, N-male to N-female for AirLink models .....	215.00
47-5111-50	Antenna extension cable, 50 feet, N-male to N-female for AirLink models .....	330.00
61-2001	Remote sensor mounting kit, explosion proof with 5-pin connector for T3A/AirLink T3A/VOC Pro/AirLink VOC Pro (order cable separate) .....	410.00
81-1183	Cal cup with 3 ft 1/8" ID x 1/4" OD teflon tubing for T2A/T3A/VOC Pro/AirLink 6900 type detectors .....	160.00
81-1184	Rain guard for T2A/T3A/VOC Pro type explosion proof detector .....	20.00
82-0101RK	Magnetic wand, for M2A/T2A/T3A/VOC Pro/Air Alert/AirLink Transmitters .....	15.00
82-0120-02	Magnets (2 each) adder hardware for T3A/VOC Pro type j-box .....	26.00

# AirLink Wireless Controllers & Transmitters

## AirLink VOC Pro PID Wireless Transmitter, Wire Powered, Explosion Proof, No Relays

- Class I, Division 1 for all PID versions
- 12-35 VDC wire powered
- Add -R and \$220 to add 2 relays



Part#	Description	Suggested Retail
66-6192-01-W	AirLink VOC Pro (10.6 eV PID) 0-10.00 ppm, low range sensor/transmitter with j-box and 900 MHz radio .....	4,680.00
66-6192-02-W	AirLink VOC Pro (10.6 eV PID) 0-20.00 ppm, low range sensor/transmitter with j-box and 900 MHz radio .....	4,680.00
66-6192-05-W	AirLink VOC Pro (10.6 eV PID) 0-50.00 ppm, low range sensor/transmitter with j-box and 900 MHz radio .....	4,680.00
66-6193-10-W	AirLink VOC Pro (10.6 eV PID) 0-100 ppm, high range sensor/transmitter with j-box and 900 MHz radio .....	4,520.00
66-6193-20-W	AirLink VOC Pro (10.6 eV PID) 0-200 ppm, high range sensor/transmitter with j-box and 900 MHz radio	4,520.00
66-6193-50-W	AirLink VOC Pro (10.6 eV PID) 0-500 ppm, high range sensor/transmitter with j-box and 900 MHz radio	4,520.00
66-6193-1K-W	AirLink VOC Pro (10.6 eV PID) 0-1000 ppm, high range sensor/transmitter with j-box and 900 MHz radio	4,520.00
66-6193-2K-W	AirLink VOC Pro (10.6 eV PID) 0-2000 ppm, high range sensor/transmitter with j-box and 900 MHz radio	4,520.00
66-6195-01-W	AirLink VOC Pro (10.0 eV PID) 0-10.00 ppm sensor/transmitter with j-box with 900 MHz radio .....	4,780.00
66-6195-02-W	AirLink VOC Pro, (10.0 eV PID) 0-20.00 ppm, sensor/transmitter with j-box with 900 MHz radio .....	4,780.00
66-6195-05-W	AirLink VOC Pro, (10.0 eV PID) 0-50.00 ppm, sensor/transmitter with j-box with 900 MHz radio .....	4,780.00
66-6195-10-W	AirLink VOC Pro, (10.0 eV PID) 0-100.00 ppm, sensor/transmitter with j-box with 900 MHz radio .....	4,780.00
66-6194-10-W	AirLink VOC Pro (11.7 eV PID) 0-100 ppm sensor/transmitter with j-box with 900 MHz radio .....	4,780.00

## Replacement Parts and Accessories for AirLink VOC Pro

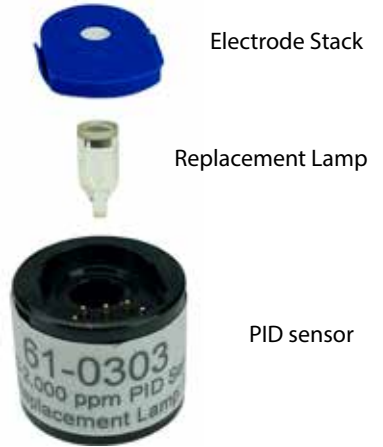
Part#	Description	Suggested Retail
47-5110-5-XX	Cable with 5-pin connector to remote mount sensor for explosion proof and non-explosion proof, price per foot (specify length in place of -XX) .....	7.20
47-5111-100	Antenna extension cable, 100 feet, N-male to N-female for AirLink models .....	650.00
47-5111-15	Antenna extension cable, 15 feet, N-male to N-female for AirLink models .....	165.00
47-5111-25	Antenna extension cable, 25 feet, N-male to N-female for AirLink models .....	215.00
47-5111-50	Antenna extension cable, 50 feet, N-male to N-female for AirLink models .....	330.00
61-0302	Sensor, Volatile Organic Compounds (VOC) 0-50 ppm, 10.6 eV PID, low ppm sensor for VOC Pro, Air Alert, AirLink VOC Pro, AirLink Alert .....	1,100.00
61-0303	Sensor, Volatile Organic Compounds (VOC) 0-2000 ppm, 10.6 eV PID, high ppm sensor for VOC Pro, Air Alert, AirLink VOC Pro, AirLink Alert .....	940.00
61-0304	Sensor, Volatile Organic Compounds (VOC) 0-100 ppm, 11.7 eV PID for VOC Pro, Air Alert, AirLink VOC Pro, AirLink Alert .....	1,200.00
61-0305	Sensor, Volatile Organic Compounds (VOC) 0-100 ppm/0-50 ppm for Benzene, 10.0 eV PID for VOC Pro, Air Alert, AirLink VOC Pro, AirLink Alert .....	1,200.00
61-2001	Remote sensor mounting kit, explosion proof with 5-pin connector for T3A/AirLink T3A/VOC Pro/AirLink VOC Pro (order cable separate) .....	410.00
81-1183	Cal cup with 3 ft 1/8" ID x 1/4" OD teflon tubing for T2A/T3A/VOC Pro/AirLink 6900 type detectors .....	160.00
81-1184	Rain guard for T2A/T3A/VOC Pro type explosion proof detector .....	20.00
82-0101RK	Magnetic wand, for M2A/T2A/T3A/VOC Pro/Air Alert/AirLink Transmitters .....	15.00
82-0120-02	Magnets (2 each) adder hardware for T3A/VOC Pro type j-box .....	26.00
82-0300RK	PID lamp cleaning kit with removal tool for 10.0 & 10.6 eV lamps only .....	52.00

# AirLink Wireless Controllers & Transmitters

## AirLink VOC Pro Series PID Replacement Lamps and Electrode Stacks

PID Sensor	eV	Replacement Lamp	Electrode Stack
61-0302	10.6	51-1503	33-0560-01
61-0303	10.6		33-0562
61-0305	10.0		33-0563
61-0304	11.7	51-1504	33-0560-01

<b>Part#</b>	<b>Description</b>	<b>Suggested Retail</b>
33-0560-01	Electrode Stack for 10.6 (50 ppm sensor) & 11.7 eV lamps used in EAGLE 2, GX-6000, or VOC Pro (1 electrode) .....	100.00
33-0562	Electrode Stack for 10.6 eV lamp, 0-2,000/6,000 ppm for EAGLE 2, GX-6000, or VOC Pro, (1 electrode) .....	64.00
33-0563	Electrode Stack for 10.0 eV lamp, 0-100 ppm (50 ppm benzene) for GX-6000 or VOC Pro (1 electrode) .....	130.00
51-1503	Replacement lamp only, 0-50/-2000/-6000/ HPPM long life type for any 10.6 eV or 10.0 eV PID. ....	220.00
51-1504	Replacement lamp, 0-1000 ppm for PID-004, 11.7 eV lamp in GX-6000 or VOC Pro .....	550.00



# AirLink Wireless Controllers & Transmitters

## AirLink 6940XP Quad Transmitter, Explosion Proof

- Explosion Proof, Class I, Division 1 for CO, H2S, O2, LEL, CO2, VOC, HCN, PH3, & SO2
- Class I, Division 2 for all other gases
- Dual battery powered



### Ordering Information

- 1) Select the AirLink 6940 unit based on the number of sensors needed.
- 2) For AC power, add -A to the end of the part # and \$60 to the list price.
- 3) Select the sensor assemblies to match the number of sensors in step 1.

Part#	Description	Suggested Retail
74-429	AirLink 6940 quad transmitter for 2 sensors, explosion proof, battery powered, wireless 900 MHz radio, sensor assemblies selection needed	4,040.00
74-439	AirLink 6940 quad transmitter for 3 sensors, explosion proof, battery powered, wireless 900 MHz radio, sensor assemblies selection needed	4,040.00
74-449	AirLink 6940 quad transmitter for 4 sensors, explosion proof, battery powered, wireless 900 MHz radio, sensor assemblies selection needed	4,040.00

## AirLink 6940 Sensors Assembly Options - Explosion Proof (Div. 1 or Div. 2, see below)

Part#	Description	Suggested Retail
66-1006-1-10	Sensor assembly for Ammonia (NH3), Low range, 0 - 100 ppm, EC type, XP Division 2, 7 pin	750.00
66-1006-2-99	Sensor assembly for Ammonia (NH3), High range 0 - 1000 ppm, EC type, XP Division 2, 7 pin	750.00
66-1068-01	Sensor assembly for Arsine (AsH3) 0 - 1 ppm, EC type, XP Division 2, 7 pin	1,335.00
66-1067-05	Sensor assembly for Carbon Dioxide (CO2) 0 - 5 % Volume, LPIR - Low Power Infrared, XP Division 1, 7 pin	1,200.00
66-1001-10	Sensor assembly for Carbon Monoxide (CO) 0 - 1000 ppm, EC type, XP Division 1, 7 pin	595.00
66-1012-10	Sensor assembly for Chlorine (Cl2) 0 - 10 ppm, EC type, XP Division 2, 7 pin	750.00
66-1013-05	Sensor assembly for Chlorine Dioxide (ClO2) covers full scale up to 0 - 5 ppm, EC type, XP Division 2, 7 pin	750.00
66-1040-10	Sensor assembly for Combustible (CH4) 0 - 100 % LEL, Catalytic Bead type, XP Division 1, 7 pin	595.00
66-1060-10	Sensor assembly for Combustible (CH4) 0 - 100 % LEL, CH4, LPIR - Low Power Infrared, XP Division 1, 7 pin	1,200.00
66-1062-99	Sensor assembly for Combustible (CH4) 0 - 100 % Volume, LPIR - Low Power Infrared, XP Division 1, 7 pin	1,200.00
66-1066-10	Sensor assembly for Combustible (HC) 0 - 100 % LEL, LPIR - Low Power Infrared, XP Division 1, 7 pin	1,200.00
66-1016-10	Sensor assembly for Ethylene Oxide (ETO) 0 - 10 ppm, EC type, XP Division 2, 7 pin	1,200.00
66-1011-10	Sensor assembly for Formaldehyde (HCHO) 0 - 10 ppm, EC type, XP Division 2, 7 pin	1,200.00
66-1039-40	Sensor assembly for Hydrogen (H2) 0 - 100% LEL (0-4% vol), EC type, XP Division 1, 7 pin	1,200.00
66-1004-10	Sensor assembly for Hydrogen Chloride (HCl) 0 - 100 ppm, EC type, XP Division 2, 7 pin	750.00
66-1005-50	Sensor assembly for Hydrogen Cyanide (HCN) 0 - 50 ppm, EC type, XP Division 2, 7 pin	750.00
66-1014-10	Sensor assembly for Hydrogen Fluoride (HF) 0 - 10 ppm, EC type, XP Division 2, 7 pin	1,200.00
66-1016-10	Sensor assembly for Ethylene Oxide (ETO) 0 - 10 ppm, EC type, XP Division 2, 7 pin	1,200.00
66-1003-1-10	Sensor assembly for Hydrogen Sulfide (H2S) Low Range, 0 - 100 ppm, EC type, XP Division 1, 7 pin	595.00
66-1003-2-2K	Sensor assembly for Hydrogen Sulfide (H2S) High range, 0 - 2000 ppm, EC type, XP Division 1, 7 pin	750.00
66-1007-25	Sensor assembly for Nitric Oxide (NO) 0 - 250 ppm, EC type, XP Division 2, 7 pin	750.00
66-1008-20	Sensor assembly for Nitrogen Dioxide (NO2) 0 - 20 ppm, EC type, XP Division 2, 7 pin	750.00
66-1002-25	Sensor assembly for Oxygen (O2) 0 - 25 % Volume, EC type, XP Division 1, 7 pin	750.00
66-1009-1-05	Sensor assembly for Ozone (O3), 0 - 5 ppm, EC type, XP Division 2, 7 pin	750.00
66-1009-2-99	Sensor assembly for Ozone (O3), high range 0 - 100 ppm, EC type, XP Division 2, 7 pin	750.00
66-1015-05	Sensor assembly for Phosphine (PH3) 0 - 5 ppm, EC type, XP Division 2, 7 pin	1,335.00
66-1010-20	Sensor assembly for Sulfur Dioxide (SO2) 0 - 20 ppm, EC type, XP Division 2, 7 pin	750.00
66-1302	Sensor assembly for VOC (10.6 eV PID) 0 - 50 ppm, XP Division 1, 7 pin	1,650.00
66-1303	Sensor assembly for VOC (10.6 eV PID) 0 - 2000 ppm, XP Division 1, 7 pin	1,490.00
66-1305	Sensor assembly for VOC (10.0 eV PID) 0 - 100 ppm, XP Division 1, 7 pin	1,750.00
66-1304	Sensor assembly for VOC (11.7 eV PID) 0 - 100 ppm, XP Division 1, 7 pin	1,750.00

# AirLink Wireless Controllers & Transmitters

## Replacement Parts and Accessories for AirLink 6940XP

<b>Part#</b>	<b>Description</b>	<b>Suggested Retail</b>
23-0306	Cart stand for AirLink 6940 .....	750.00
47-5110-7-XX	Cable with 7-pin connector to remote mount sensor (battery powered) for explosion proof and non-explosion proof, price per foot (specify length in place of -XX) .....	7.20
47-5111-100	Antenna extension cable, 100 feet, N-male to N-female for AirLink models .....	650.00
47-5111-15	Antenna extension cable, 15 feet, N-male to N-female for AirLink models .....	165.00
47-5111-25	Antenna extension cable, 25 feet, N-male to N-female for AirLink models .....	215.00
47-5111-50	Antenna extension cable, 50 feet, N-male to N-female for AirLink models .....	330.00
49-1416-02	Battery pack, Lithium-thionyl, 4 cells, non-rechargeable, 3.6 VDC 76 AH with connector for AirLink 6940 .....	140.00
61-2002	Remote sensor mounting kit, explosion proof for AirLink Alert/AirLink 6940NXP (order cable separate) .....	170.00
61-2003	Remote sensor mounting kit, explosion proof with 7-pin connector for T2A/AirLink 6900/AirLink 6940XP (order cable separate) .....	410.00
81-1184	Rain guard for T2A/T3A/VOC Pro type explosion proof detector .....	20.00
82-0101RK	Magnetic wand, for M2A/T2A/T3A/VOC Pro/Air Alert/AirLink Transmitters .....	15.00
82-0104	Magnetic wand for AirLink 6940 .....	45.00

## Calibration Kits for AirLink 6940XP (Cylinders sold separately)

<b>Part#</b>	<b>Description</b>	<b>Suggested Retail</b>
81-429	AirLink 6940 cal kit equipment for 1-2 cylinders, includes carrying case, regulator for 34AL/58AL/103L cylinders, tubing, cal cup (cylinders sold separately) .....	360.00
81-439	AirLink 6940 cal kit equipment for 3 cylinders, includes carrying case, regulator for 34AL/58AL/103L cylinders, tubing, cal cup (cylinders sold separately) .....	425.00
81-449	AirLink 6940 cal kit equipment for 4 cylinders, includes carrying case, regulator for 34AL/58AL/103L cylinders, tubing, cal cup (cylinders sold separately) .....	550.00

## Calibration Equipment for AirLink 6940XP

<b>Part#</b>	<b>Description</b>	<b>Suggested Retail</b>
81-0012RK-01	Cylinder, CH4 50% LEL in air, 34L steel .....	55.00
81-0012RK-03	Cylinder, CH4 50% LEL/air, 103L steel .....	150.00
81-0151RK-02	Cylinder, H2S 25 ppm in N2, 58AL .....	150.00
81-0151RK-04	Cylinder, H2S 25 ppm in N2, 34AL .....	130.00
81-0170RK-02	Cylinder, SO2 5 ppm in N2, 58AL .....	160.00
81-0170RK-04	Cylinder, SO2 5 ppm in N2, 34AL .....	140.00
81-0176RK-02	Cylinder, NH3 25 ppm in N2, 58AL .....	300.00
81-0176RK-04	Cylinder, NH3 25 ppm in N2, 34AL .....	280.00
81-0181RK-02	Cylinder, NO 25 ppm in N2, 58AL .....	300.00
81-0181RK-04	Cylinder, NO 25 ppm in N2, 34AL .....	260.00
81-0185RK-02	Cylinder, PH3 0.5 ppm in N2, 58AL .....	300.00
81-0185RK-04	Cylinder, PH3 0.5 ppm in N2, 34AL .....	260.00
81-0190RK-02	Cylinder, Cl2 5 ppm in N2, 58AL .....	340.00
81-0190RK-04	Cylinder, Cl2 5 ppm in N2, 34AL .....	220.00
81-0195RK-02	Cylinder, HCl 5 ppm in N2, 58AL .....	340.00
81-0195RK-04	Cylinder, HCl 5 ppm in N2, 34AL .....	300.00
81-0196RK-02	Cylinder, HCN 10 ppm in N2, 58AL .....	260.00
81-0196RK-04	Cylinder, HCN 10 ppm in N2, 34AL .....	220.00
81-1050RK	Regulator, with gauge & knob, 17/34L, 0.5 LPM, CGA 600 fitting .....	125.00
81-1051RK	Regulator, with gauge & knob, 34AL/58AL/103L steel, 0.5 LPM, C-10 fitting .....	125.00
81-1183	Cal cup with 3 ft 1/8" ID x 1/4" OD teflon tubing for T2A/T3A/VOC Pro/AirLink 6900 type detectors .....	160.00

# AirLink Wireless Controllers & Transmitters

## AirLink 6940NXP Quad Transmitter, Non Explosion Proof

- Non Explosion proof transmitter
- 2 to 4 sensors in one NEMA 4X enclosure
- AC Powered with battery backup, includes power cord & cable grip



### Ordering Information

- 1) Select the AirLink 6940 NXP unit based on the number of sensors needed.
- 2) Select the sensor assemblies to match the number of sensors in step 1.

Part#	Description	Suggested Retail
74-429NXP	AirLink 6940NXP quad transmitter for 2 sensors, non explosion proof, AC powered, wireless 900 MHz radio, sensor assemblies selection needed .....	2,560.00
74-439NXP	AirLink 6940NXP quad transmitter for 3 sensors, non explosion proof, AC powered, wireless 900 MHz radio, sensor assemblies selection needed .....	2,560.00
74-449NXP	AirLink 6940NXP quad transmitter for 4 sensors, non explosion proof, AC powered, wireless 900 MHz radio, sensor assemblies selection needed .....	2,560.00

## AirLink 6940NXP Sensors Assembly Options - Non Explosion Proof

Part#	Description	Suggested Retail
66-2006-1-10	Sensor assembly for Ammonia (NH3), 0 - 100 ppm, EC type, non XP, 7-pin.....	670.00
66-2006-2-99	Sensor assembly for Ammonia (NH3), High range 0 - 1000 ppm, EC type, non XP, 7-pin .....	670.00
66-2068-01	Sensor assembly for Arsine (AsH3) 0 - 1 ppm, EC type, non XP, 7-pin .....	1,255.00
66-2067-05	Sensor assembly for Carbon Dioxide (CO2) 0 - 5 % Volume, LPIR - Low Power Infrared, non XP, 7-pin ...	1,120.00
66-2001-10	Sensor assembly for Carbon Monoxide (CO) 0 - 1000 ppm, EC type, non XP, 7-pin .....	515.00
66-2012-10	Sensor assembly for Chlorine (Cl2) 0 - 10 ppm, EC type, non XP, 7-pin .....	670.00
66-2013-01	Sensor assembly for Chlorine Dioxide (ClO2) 0 - 1 ppm, EC type, non XP, 7-pin .....	670.00
66-2040-10	Sensor assembly for Combustible (CH4) 0 - 100 % LEL, Catalytic Bead type, non XP, 7-pin .....	515.00
66-2060-10	Sensor assembly for Combustible (CH4) 0 - 100 % LEL, CH4, LPIR - Low Power Infrared, non XP, 7-pin...	1,120.00
66-2063-10	Sensor assembly for Combustible (HC) 0 - 100 % LEL, LPIR - Low Power Infrared, non XP, 7-pin .....	1,120.00
66-2062-99	Sensor assembly for Combustible (CH4) 0 - 100 % Volume, LPIR - Low Power Infrared, non XP, 7-pin ...	1,120.00
66-2016-10	Sensor assembly for Ethylene Oxide (ETO) 0 - 10 ppm, EC type, non XP, 7-pin .....	1,120.00
66-2011-10	Sensor assembly for Formaldehyde (HCHO) 0 - 10 ppm, EC type, non XP, 7-pin.....	1,120.00
66-2039-40	Sensor assembly for Hydrogen (H2) 0 - 100% LEL (0-4% vol), EC type, non XP, 7-pin .....	1,120.00
66-2004-10	Sensor assembly for Hydrogen Chloride (HCl) 0 - 100 ppm, EC type, non XP, 7-pin .....	670.00
66-2005-50	Sensor assembly for Hydrogen Cyanide (HCN) 0 - 50 ppm, EC type, non XP, 7-pin.....	670.00
66-2014-10	Sensor assembly for Hydrogen Fluoride (HF) 0 - 10 ppm, EC type, non XP, 7-pin .....	1,120.00
66-2003-1-10	Sensor assembly for Hydrogen Sulfide (H2S) 0 - 100 ppm, EC type, non XP, 7-pin .....	515.00
66-2003-2-2K	Sensor assembly for Hydrogen Sulfide (H2S) High range 0 - 2000 ppm, EC type, non XP, 7-pin .....	515.00
66-2007-25	Sensor assembly for Nitric Oxide (NO) 0 - 250 ppm, EC type, non XP, 7-pin .....	670.00
66-2008-20	Sensor assembly for Nitrogen Dioxide (NO2) 0 - 20 ppm, EC type, non XP, 7-pin .....	670.00
66-2002-25	Sensor assembly for Oxygen (O2) 0 - 25 % Volume, EC type, non XP, 7-pin.....	670.00
66-2009-1-05	Sensor assembly for Ozone (O3), 0 - 5 ppm, EC type, non XP, 7-pin.....	670.00
66-2009-2-99	Sensor assembly for Ozone (O3), high range 0 - 100 ppm, EC type, non XP, 7-pin .....	670.00
66-2015-05	Sensor assembly for Phosphine (PH3) 0 - 5 ppm, EC type, non XP, 7-pin.....	1,255.00
66-2010-20	Sensor assembly for Sulfur Dioxide (SO2) 0 - 20 ppm, EC type, non XP, 7-pin .....	670.00
66-2302	Sensor assembly for VOC (10.6 eV PID) 0 - 50 ppm, non XP, 7-pin .....	1,600.00
66-2303	Sensor assembly for VOC (10.6 eV PID) 0 - 2000 ppm, non XP, 7-pin .....	1,440.00
66-2305	Sensor assembly for VOC (10.0 eV PID) 0 - 100 ppm, non XP, 7-pin .....	1,700.00
66-2304	Sensor assembly for VOC (11.7 eV PID) 0 - 100 ppm, non XP, 7-pin.....	1,700.00



# AirLink Wireless Controllers & Transmitters

## ***Replacement Parts and Accessories for AirLink 6940 NXP***

<u>Part#</u>	<u>Description</u>	<u>Suggested Retail</u>
47-5110-7-XX	Cable with 7-pin connector to remote mount sensor (battery powered) for explosion proof and non-explosion proof, price per foot (specify length in place of -XX) .....	7.20
47-5111-100	Antenna extension cable, 100 feet, N-male to N-female for AirLink models .....	650.00
47-5111-15	Antenna extension cable, 15 feet, N-male to N-female for AirLink models .....	165.00
47-5111-25	Antenna extension cable, 25 feet, N-male to N-female for AirLink models .....	215.00
47-5111-50	Antenna extension cable, 50 feet, N-male to N-female for AirLink models .....	330.00
61-2002	Remote sensor mounting kit, explosion proof for AirLink Alert/AirLink 6940NXP (order cable separate)	170.00
81-1185	Cal cup with 3 ft 1/8" ID x 1/4" OD teflon tubing, for non explosion proof Air Alert and AirLink Alert type detectors .....	40.00
82-0101RK	Magnetic wand, for M2A/T2A/T3A/VOC Pro/Air Alert/AirLink Transmitters .....	15.00

# AirLink Wireless Controllers & Transmitters

## AirLink Alert Wireless Transmitter, Battery Powered, Non Explosion Proof



### Ordering Information

66-5[Battery=B] [2 digit gas designator]-[2 digit range suffix]- [radio frequency=W (900)/Y(2.4)]

Part#	Description	Suggested Retail
66-5B06-10-W	Airlink Alert, Ammonia (NH3) 0-100 ppm, dual battery powered, 900 MHz radio.....	1,775.00
66-5B06-99-W	Airlink Alert, Ammonia (NH3) 0-1000 ppm, dual battery powered, 900 MHz radio .....	1,775.00
66-5B68-01-W	Airlink Alert, Arsine (AsH3) 0-1 ppm, dual battery powered, 900 MHz radio .....	2,360.00
66-5B50-05-W	Airlink Alert, Carbon Dioxide (CO2) 0-5% vol, LPIR, dual battery powered, 900 MHz radio .....	2,225.00
66-5B01-99-W	Airlink Alert, Carbon Monoxide (CO) 0-1000 ppm, dual battery powered, 900 MHz radio .....	1,620.00
66-5B12-10-W	Airlink Alert, Chlorine (Cl2) 0-10 ppm, dual battery powered, 900 MHz radio .....	1,775.00
66-5B13-01-W	Airlink Alert, Chlorine Dioxide (ClO2) 0-1 ppm, dual battery powered, 900 MHz radio .....	1,775.00
66-5B16-10-W	Airlink Alert, Ethylene Oxide (ETO) 0-10 ppm, dual battery powered, 900 MHz radio .....	2,225.00
66-5B11-10-W	Airlink Alert, Formaldehyde (HCHO) 0-10 ppm, dual battery powered, 900 MHz radio .....	2,225.00
66-5B51-10-W	Airlink Alert, Hydrocarbons (CH4) 0-100% LEL, LPIR, dual battery powered, 900 MHz radio .....	2,000.00
66-5B62-99-W	Airlink Alert, Hydrocarbons (CH4) 0-100% vol, LPIR, dual battery powered, 900 MHz radio .....	2,000.00
66-5B53-10-W	Airlink Alert, Hydrocarbons (HC) 0-100% LEL, LPIR, dual battery powered, 900 MHz radio .....	2,225.00
66-5B63-99-W	Airlink Alert, Hydrocarbons (HC) 0-100% vol, LPIR, dual battery powered, 900 MHz radio .....	2,225.00
66-5B39-40-W	Airlink Alert, Hydrogen (H2) 0 - 100% LEL (0-4% vol), EC type, dual battery powered, 900 MHz radio ...	2,225.00
66-5B04-02-W	Airlink Alert, Hydrogen Chloride (HCl) 0-20 ppm, dual battery powered, 900 MHz radio .....	1,775.00
66-5B04-10-W	Airlink Alert, Hydrogen Chloride (HCl) 0-100 ppm, dual battery powered, 900 MHz radio .....	1,775.00
66-5B05-50-W	Airlink Alert, Hydrogen Cyanide (HCN) 0-50 ppm, dual battery powered, 900 MHz radio .....	1,775.00
66-5B14-10-W	Airlink Alert, Hydrogen Fluoride (HF) 0-10 ppm, dual battery powered, 900 MHz radio .....	2,225.00
66-5B03-01-W	Airlink Alert, Hydrogen Sulfide (H2S) 0-10 ppm, dual battery powered, 900 MHz radio .....	1,620.00
66-5B03-02-W	Airlink Alert, Hydrogen Sulfide (H2S) 0-25 ppm, dual battery powered, 900 MHz radio .....	1,620.00
66-5B03-05-W	Airlink Alert, Hydrogen Sulfide (H2S) 0-50 ppm, dual battery powered, 900 MHz radio .....	1,620.00
66-5B03-10-W	Airlink Alert, Hydrogen Sulfide (H2S) 0-100 ppm, dual battery powered, 900 MHz radio .....	1,620.00
66-5B03-50-W	Airlink Alert, Hydrogen Sulfide (H2S) 0-500 ppm, dual battery powered, 900 MHz radio .....	1,620.00
66-5B03-2K-W	Airlink Alert, Hydrogen Sulfide (H2S) 0-2000 ppm, dual battery powered, 900 MHz radio .....	1,620.00
66-5B07-25-W	Airlink Alert, Nitric Oxide (NO) 0-20 ppm, dual battery powered, 900 MHz radio .....	1,775.00
66-5B08-20-W	Airlink Alert, Nitrogen Dioxide (NO2) 0-20 ppm, dual battery powered, 900 MHz radio .....	1,775.00
66-5B02-25-W	Airlink Alert, Oxygen (O2) 0-25% vol, dual battery powered, 900 MHz radio .....	1,620.00
66-5B09-05-W	Airlink Alert, Ozone (O3) 0-5 ppm, dual battery powered, 900 MHz radio .....	1,775.00
66-5B09-99-W	Airlink Alert, Ozone (O3) 0-100 ppm, dual battery powered, 900 MHz radio .....	1,775.00
66-5B15-05-W	Airlink Alert, Phosphine (PH3) 0-5 ppm, dual battery powered, 900 MHz radio .....	2,360.00
66-5B10-20-W	Airlink Alert, Sulfur Dioxide (SO2) 0-20 ppm, dual battery powered, 900 MHz radio .....	1,775.00
66-5B92-01-W	Airlink Alert, VOC (10.6 eV PID) 0-10 ppm, dual battery powered, 900 MHz radio .....	3,200.00
66-5B92-02-W	Airlink Alert, VOC (10.6 eV PID) 0-20 ppm, dual battery powered, 900 MHz radio .....	3,200.00
66-5B92-05-W	Airlink Alert, VOC (10.6 eV PID) 0-50 ppm, dual battery powered, 900 MHz radio .....	3,200.00
66-5B93-10-W	Airlink Alert, VOC (10.6 eV PID) 0-100 ppm, dual battery powered, 900 MHz radio .....	3,040.00
66-5B93-20-W	Airlink Alert, VOC (10.6 eV PID) 0-200 ppm, dual battery powered, 900 MHz radio .....	3,040.00
66-5B93-50-W	Airlink Alert, VOC (10.6 eV PID) 0-500 ppm, dual battery powered, 900 MHz radio .....	3,040.00
66-5B93-1K-W	Airlink Alert, VOC (10.6 eV PID) 0-1000 ppm, dual battery powered, 900 MHz radio .....	3,040.00
66-5B93-2K-W	Airlink Alert, VOC (10.6 eV PID) 0-2000 ppm, dual battery powered, 900 MHz radio .....	3,040.00
66-5B95-01-W	Airlink Alert, VOC (10.0 eV PID) 0-10 ppm, dual battery powered, 900 MHz radio .....	3,300.00
66-5B95-02-W	Airlink Alert, VOC (10.0 eV PID) 0-20 ppm, dual battery powered, 900 MHz radio .....	3,300.00
66-5B95-05-W	Airlink Alert, VOC (10.0 eV PID) 0-50 ppm, dual battery powered, 900 MHz radio .....	3,300.00
66-5B95-10-W	Airlink Alert, VOC (10.0 eV PID) 0-100 ppm, dual battery powered, 900 MHz radio .....	3,300.00
66-5B94-10-W	Airlink Alert, VOC (11.7 eV PID) 0-100 ppm, dual battery powered, 900 MHz radio .....	3,300.00

# AirLink Wireless Controllers & Transmitters

## Replacement Parts and Accessories for AirLink Alert

<u>Part#</u>	<u>Description</u>	<u>Suggested Retail</u>
47-5110-5-XX	Cable with 5-pin connector to remote mount sensor for explosion proof and non-explosion proof, price per foot (specify length in place of -XX) .....	7.20
61-2002	Remote sensor mounting kit, explosion proof for AirLink Alert/AirLink 6940NXP (order cable separate) .....	170.00
81-1185	Cal cup with 3 ft 1/8" ID x 1/4" OD teflon tubing, for non explosion proof Air Alert and AirLink Alert type detectors .....	40.00
82-0101RK	Magnetic wand, for M2A/T2A/T3A/VOC Pro/Air Alert/AirLink Transmitters .....	15.00

## AirLink Replacement Sensors (Plug-in Sensors Only)

<u>Part#</u>	<u>Description</u>	<u>Suggested Retail</u>
66-0006-1	Sensor, Ammonia (NH3) covers full scale up to 100 ppm, EC type .....	350.00
66-0006-2	Sensor, Ammonia (NH3) high range, covers full scale from 200 to 1000 ppm, Semeatech, EC type .....	350.00
66-0068	Sensor, Arsine (AsH3) 0 - 1 ppm, EC type .....	935.00
66-0067	Sensor, Carbon Dioxide (CO2) 0 - 5%, LPIR type .....	800.00
66-0001	Sensor, Carbon Monoxide (CO) covers full scale up to 0 - 1000 ppm, EC type .....	195.00
66-0012	Sensor, Chlorine (Cl2) covers full scale up to 20 ppm, EC type .....	350.00
66-0013	Sensor, Chlorine Dioxide (ClO2) covers full scale up to 5 ppm, EC type .....	350.00
66-0016	Sensor, Ethylene Oxide (ETO) 0 - 10 ppm, EC type .....	800.00
66-0011	Sensor, Formaldehyde (HCHO) 0 - 10 ppm, EC type .....	800.00
66-0060	Sensor, Hydrocarbons (CH4) 0 - 100 % LEL, LPIR type .....	800.00
66-0062	Sensor, Hydrocarbons (CH4) 0 - 100 % vol, LPIR type .....	800.00
66-0066	Sensor, Hydrocarbons (HC) 0 - 100 % LEL, LPIR type .....	800.00
66-0063	Sensor, Hydrocarbons (HC) 0 - 100 % vol, LPIR type .....	800.00
66-0039	Sensor, Hydrogen (H2) 0 - 100% LEL (0-4% vol), EC type .....	800.00
66-0004	Sensor, Hydrogen Chloride (HCl) covers full scale up to 100 ppm, EC type .....	350.00
66-0005	Sensor, Hydrogen Cyanide (HCN) 0 - 50 ppm, EC type .....	350.00
66-0014	Sensor, Hydrogen Fluoride (HF) 0 - 10 ppm, EC type .....	800.00
66-0003-1	Sensor, Hydrogen Sulfide (H2S) 0 - 100 ppm, EC type .....	195.00
66-0003-2	Sensor, Hydrogen Sulfide (H2S) covers full scale from 200 ppm to 2000 ppm, EC type .....	350.00
66-0007	Sensor, Nitric Oxide (NO) covers full scale up to 250 ppm, EC type .....	350.00
66-0008	Sensor, Nitrogen Dioxide (NO2) 0 - 20 ppm, EC type .....	350.00
66-0002	Sensor, Oxygen (O2) 0 - 25 % volume, capillary type .....	350.00
66-0009-1	Sensor, Ozone (O3) 0 - 5 ppm, EC type .....	350.00
66-0009-2	Sensor, Ozone (O3) high range sensor covers full scale from 10 ppm to 100 ppm, EC type .....	350.00
66-0015	Sensor, Phosphine (PH3) 0 - 5 ppm, EC type .....	935.00
66-0010	Sensor, Sulfur Dioxide (SO2) 0 - 20 ppm, EC type .....	350.00
61-0302	Sensor, Volatile Organic Compounds (VOC) 0-50 ppm, 10.6 eV PID, low ppm sensor for VOC Pro, Air Alert, AirLink VOC Pro, AirLink Alert .....	1,100.00
61-0303	Sensor, Volatile Organic Compounds (VOC) 0-2000 ppm, 10.6 eV PID, high ppm sensor for VOC Pro, Air Alert, AirLink VOC Pro, AirLink Alert .....	940.00
61-0305	Sensor, Volatile Organic Compounds (VOC) 0-100 ppm/0-50 ppm for Benzene, 10.0 eV PID for VOC Pro, Air Alert, AirLink VOC Pro, AirLink Alert .....	1,200.00
61-0304	Sensor, Volatile Organic Compounds (VOC) 0-100 ppm, 11.7 eV PID for VOC Pro, Air Alert, AirLink VOC Pro, AirLink Alert .....	1,200.00

# Fixed Systems Specialty Products

## OX-600 Indoor Stand Alone Oxygen Monitor Alkaline



<u>Part#</u>	<u>Description</u>	<u>Suggested Retail</u>
72-1004	OX-600 oxygen monitor, 0-25%, battery operated (2 AA batteries)	740.00
72-1004-03	OX-600 oxygen monitor, 0-25%, battery operated (2 AA batteries) with 3 meter sensor cable installed	880.00
72-1004-05	OX-600 oxygen monitor, 0-25%, battery operated (2 AA batteries) with 5 meter sensor cable installed	900.00
72-1004-10	OX-600 oxygen monitor, 0-25%, battery operated (2 AA batteries) with 10 meter sensor cable installed	940.00
72-1004-20	OX-600 oxygen monitor, 0-25%, battery operated (2 AA batteries) with 20 meter sensor cable installed	1,040.00

## OX-600 Indoor Stand Alone Oxygen Monitor 24 VDC

<u>Part#</u>	<u>Description</u>	<u>Suggested Retail</u>
72-1005	OX-600 oxygen monitor, 0-25%, 24 VDC operation	740.00
72-1005-03	OX-600 oxygen monitor, 0-25%, 24 VDC operation with 3 meter sensor cable	880.00
72-1005-05	OX-600 oxygen monitor, 0-25%, 24 VDC operation with 5 meter sensor cable	900.00
72-1005-10	OX-600 oxygen monitor, 0-25%, 24 VDC operation with 10 meter sensor cable	940.00
72-1005-20	OX-600 oxygen monitor, 0-25%, 24 VDC operation with 20 meter sensor cable	1,040.00

## OX-600 Indoor Stand Alone Oxygen Monitor 115 VAC \*

<u>Part#</u>	<u>Description</u>	<u>Suggested Retail</u>
72-1006	OX-600 oxygen monitor, 0-25%, 115 VAC operation with power cord	740.00
72-1006-03	OX-600 oxygen monitor, 0-25%, 115 VAC operation with 3 meter sensor cable and power cord	880.00
72-1006-05	OX-600 oxygen monitor, 0-25%, 115 VAC operation with 5 meter sensor cable	900.00
72-1006-10	OX-600 oxygen monitor, 0-25%, 115 VAC operation with 10 meter sensor cable	940.00
72-1006-20	OX-600 oxygen monitor, 0-25%, 115 VAC operation with 20 meter sensor cable	1,040.00

## Replacement Parts & Accessories

<u>Part#</u>	<u>Description</u>	<u>Suggested Retail</u>
21-1927	Mounting plate for instrument removal, OX-600 (optional for alkaline version only)	10.00
47-1556-03	Extender cable with remote box, 3 meter, 600 Series	140.00
47-1556-05	Extender cable with remote box, 5 meter, 600 Series	160.00
47-1556-10	Extender cable with remote box, 10 meter, 600 Series	200.00
47-1556-20	Extender cable with remote box, 20 meter, 600 Series	300.00
81-1153	Cal cup for OX-600 / EC-600	45.00
OS-BM1D	Sensor, Oxygen (O2), OS-BM1D for OX-600	150.00

## Calibration Kits

<u>Instrument #</u>	<u>Cal-Kit Part #</u>	<u>Cal-Kit Description</u>	<u>Price</u>
72-1004	81-OX600-LV	Cal Kit, fixed for OX-600, N2 100% 34L, regulator, cal cup, case & tubing	325.00
72-1005 72-1006	81-OX600A-LV	Cal Kit, fixed for OX-600, N2 100% 34L, Zero Air 34L, regulator, cal cup, case & tubing	380.00

\* **Note:** For CSA version add -CSA to the end of the part # and add \$15 to the price. Power cord not included.

# Fixed Systems Specialty Products

## EC-600 Indoor Stand Alone Carbon Monoxide Monitor Alkaline



<u>Part#</u>	<u>Description</u>	<u>Suggested Retail</u>
73-1202	EC-600 carbon monoxide monitor, 0-150 ppm, battery operated (2 AA batteries) .....	895.00
73-1202-03	EC-600 carbon monoxide monitor, 0-150 ppm, battery operated (2 AA batteries) with 3 meter sensor cable installed	1,035.00
73-1202-05	EC-600 carbon monoxide monitor, 0-150 ppm, battery operated (2 AA batteries) with 5 meter sensor cable installed	1,055.00
73-1202-10	EC-600 carbon monoxide monitor, 0-150 ppm, battery operated (2 AA batteries) with 10 meter sensor cable installed	1,095.00
73-1202-20	EC-600 carbon monoxide monitor, 0-150 ppm, battery operated (2 AA batteries) with 20 meter sensor cable installed	1,195.00

## EC-600 Indoor Stand Alone Carbon Monoxide Monitor 24 VDC

<u>Part#</u>	<u>Description</u>	<u>Suggested Retail</u>
73-1203	EC-600 carbon monoxide monitor, 0-150 ppm, 24 VDC operation .....	895.00
73-1203-03	EC-600 carbon monoxide monitor, 0-150 ppm, 24 VDC operation with 3 meter sensor cable .....	1,035.00
73-1203-05	EC-600 carbon monoxide monitor, 0-150 ppm, 24 VDC operation with 5 meter sensor cable .....	1,055.00
73-1203-10	EC-600 carbon monoxide monitor, 0-150 ppm, 24 VDC operation with 10 meter sensor cable .....	1,095.00
73-1203-20	.....	1,195.00

## EC-600 Indoor Stand Alone Carbon Monoxide Monitor 115 VAC \*

<u>Part#</u>	<u>Description</u>	<u>Suggested Retail</u>
73-1204	EC-600 carbon monoxide monitor, 0-150 ppm, 115 VAC operation .....	895.00
73-1204-03	EC-600 carbon monoxide monitor, 0-150 ppm, 115 VAC operation with 3 meter sensor cable.....	1,035.00
73-1204-05	EC-600 carbon monoxide monitor, 0-150 ppm, 115 VAC operation with 5 meter sensor cable.....	1,055.00
73-1204-10	EC-600 carbon monoxide monitor, 0-150 ppm, 115 VAC operation with 10 meter sensor cable .....	1,095.00
73-1204-20	EC-600 carbon monoxide monitor, 0-150 ppm, 115 VAC operation with 20 meter sensor cable .....	1,195.00

## Replacement Parts & Accessories

<u>Part#</u>	<u>Description</u>	<u>Suggested Retail</u>
21-1927	Mounting plate for instrument removal, OX-600 (optional for alkaline version only) .....	10.00
33-7101RK	Charcoal Filter for CO sensor (GX-82A/-86A), fixed system CO sensors .....	6.00
47-1556-03	Extender cable with remote box, 3 meter, 600 Series .....	140.00
47-1556-05	Extender cable with remote box, 5 meter, 600 Series .....	160.00
47-1556-10	Extender cable with remote box, 10 meter, 600 Series.....	200.00
47-1556-20	Extender cable with remote box, 20 meter, 600 Series.....	300.00
81-1153	Cal cup for OX-600 / EC-600 .....	45.00
ES-031M-CO	Sensor, Carbon Monoxide (CO), 0 - 1,000 ppm for RX-515 .....	225.00

## Calibration Kits

<u>Instrument #</u>	<u>Cal-Kit Part #</u>	<u>Cal-Kit Description</u>	<u>Price</u>
73-1202 73-1203 73-1204	81-EC600-LV	Cal Kit, fixed for EC-600, 34L cyl 50 ppm CO in N2, reg with gauge & knob, cal cup, case & tubing	325.00
	81-EC600A-LV	Cal Kit, fixed for EC-600, 34L cyl 50 ppm CO in N2, 34L Zero Air, reg with gauge & knob, cal cup, case & tubing	380.00

\* **Note:** For CSA version add -CSA to the end of the part # and add \$15 to the price. Power cord not included.

# Fixed Systems Specialty Products

## RI-600 Indoor Stand Alone Carbon Dioxide Monitor - 24 VDC

<u>Part#</u>	<u>Description</u>	<u>Suggested Retail</u>
73-1205-02K	RI-600 carbon dioxide monitor, 0-2000 ppm, 24 VDC operation .....	920.00
73-1205-05K	RI-600 carbon dioxide monitor, 0-5000 ppm, 24 VDC operation .....	920.00
73-1205-10K	RI-600 carbon dioxide monitor, 0-10,000 ppm, 24 VDC operation .....	920.00
73-1205-20K	RI-600 carbon dioxide monitor, 0-2.00%, 24 VDC operation .....	920.00
73-1205-50K	RI-600 carbon dioxide monitor, 0-5.00%, 24 VDC operation .....	920.00



## RI-600 Indoor Stand Alone Carbon Dioxide Monitor - 115 VAC

<u>Part#</u>	<u>Description</u>	<u>Suggested Retail</u>
73-1206-02K	RI-600 carbon dioxide monitor, 0-2000 ppm, 115 VAC operation .....	920.00
73-1206-05K	RI-600 carbon dioxide monitor, 0-5000 ppm, 115 VAC operation .....	920.00
73-1206-10K	RI-600 carbon dioxide monitor, 0-10,000 ppm, 115 VAC operation .....	920.00
73-1206-20K	RI-600 carbon dioxide monitor, 0-2.00%, 115 VAC operation .....	920.00
73-1206-50K	RI-600 carbon dioxide monitor, 0-5.00%, 115 VAC operation .....	920.00

\* **Note:** 115 VAC version not available in Canada. For Canada, use 24 VDC version + 49-2005RK-01 adapter.

## Calibration Kits

<u>Instrument #</u>	<u>Cal-Kit Part #</u>	<u>Cal-Kit Description</u>	<u>Price</u>
73-1205-02K 73-1206-02K	81-RI60002K-LV	Cal kit, RI-600, CO2 2,000 ppm in N2, 34L cyl, N2 100%, 34L cyl, cal cup, regulator, case & tubing	380.00
73-1205-05K 73-1205-10K 73-1205-20K 73-1206-05K 73-2106-10K 73-1206-20K	81-RI60005K-LV	Cal kit, RI-600, CO2 5,000 ppm in N2, 34L cyl, N2 100%, 34L cyl, cal cup, regulator, case & tubing	365.00
73-1205-50K 73-1206-50K	81-RI60050K-LV	Cal kit, RI-600, CO2 2.5% in N2, 34L cyl, N2 100%, 34L cyl, cal cup, regulator, case & tubing	380.00

## Replacement Parts & Accessories

<u>Part#</u>	<u>Description</u>	<u>Suggested Retail</u>
47-1556-01	Extender cable with remote box, 1 meter, 600 series .....	135.00
47-1556-03	Extender cable with remote box, 3 meter, 600 Series .....	140.00
47-1556-05	Extender cable with remote box, 5 meter, 600 Series .....	160.00
47-1556-10	Extender cable with remote box, 10 meter, 600 Series.....	200.00
47-1556-20	Extender cable with remote box, 20 meter, 600 Series.....	300.00
49-2005RK-01	AC adapter, 100 - 240 VAC in 24 VDC / 500 mA out,with stripped wire terminations .....	30.00
DES-3311-5	Sensor, IR, Carbon Dioxide (CO2) 0 - 2,000/5,000/10,000 ppm ranges with scrubber for RI-600 .....	650.00
DES-3311-6	Sensor, IR, Carbon Dioxide (CO2) 0 - 2% / 5% ranges with scrubber for RI-600 .....	650.00

\*\* **Note:** If extender cable is ordered along with an instrument, RKI will ship it installed on the instrument unless specified otherwise.

# Fixed Systems Specialty Products

## M - Series Low Cost Transmitter

**ORDERING INFORMATION:** The M-Series pricing includes the plastic enclosure and sensor.

<u>Part#</u>	<u>Description</u>	<u>Suggested Retail</u>
65-2424RK	Hydrogen Sulfide (H2S) sensor / transmitter in plastic enclosure (non explosion proof) .....	295.00
65-2434RK	Carbon Monoxide (CO) sensor / transmitter in plastic enclosure (non explosion proof) .....	295.00



### Replacement Sensors Only

ES-1531-CO	Sensor, Carbon Monoxide (CO) 0 - 300 ppm, plug-in type, CT-7 style, cCSAus version .....	195.00
ES-1537-H2S	Sensor, Hydrogen Sulfide (H2S) 0 - 100 ppm, plug-in type, CT-7 style, cCSAus version .....	195.00

## PS 2 Combustible Single Point Stand Alone Monitor

**ORDERING INFORMATION:** The PS 2 is provided as standard with the sensor on a 30' cable. Both 24VDC powered or 115 VAC powered versions are available, and the 115 VAC version is supplied with a 6' power cord. **(Specify gas & alarm points when ordering)**

**Note:** NOT for use in CLASS 1 Division I or Division 2 classified areas.



<u>Part#</u>	<u>Description</u>	<u>Suggested Retail</u>
73-1020RK-01	PS 2 for LEL detection, 24 VDC powered .....	425.00
73-1021RK-01	PS 2 for LEL detection, 115 VAC powered .....	435.00
73-1022RK-01	PS 2 for LEL detection, 48 VDC powered .....	495.00

### Replacement Sensors Only

62-0010RK	Sensor assembly for PS 2, LEL, with 30' cable .....	100.00
62-0011RK	Sensor assembly for PS 2, PPM, with 30' cable .....	100.00

## RI-257 FC, HCFC, HFC & IPA Infrared Monitor

**ORDERING INFORMATION:** The RI-257 is a fixed monitor / transmitter for detection of many different refrigerants and for IPA. Please specify exactly which refrigerant or compound you intend to use it for when placing an order. It is currently available for FC-14, FC-116, FC-218, FC-C318 (FC = Perfluoro compound gas), HFC-125, HCFC-1416, R-12, R-22, R-23, R-32, R-41, R-113, R-114, R-123, R-134a, R-152a, R404a, R-407c, R-410A, Vertrel XP, R - 225, and IPA.

<u>Part#</u>	<u>Description</u>	<u>Suggested Retail</u>
RI-257-XXX	Model RI-257 stand alone monitor (specify gas) .....	4,500.00



# Fixed Systems Specialty Products

## 35-3001 Series Sample Draw Detector Assemblies (NEMA 4X Housing)

This series is available as direct connect, with transmitter, or as a multi gas unit with or without a transmitter. **NOT** for use in Division I or Division 2 classified areas.



### 35-3001 Single Gas Direct Connect Version (No 4-20 mA transmitter)

**ORDERING INFORMATION:** The 35-3001 series can be used with the Beacon 110, Beacon 200, Beacon 410A, Beacon 800, and Beacon 3200. Tubing is sold separately. Recommended tubing size is 1/4" OD.

<u>Part#</u>	<u>Description</u>	<u>Suggested Retail</u>
35-3001-01	35-3001 for combustibles 100% LEL .....	1,200.00
35-3001-01-01	35-3001 for IR Methane 100% LEL .....	1,600.00
35-3001-01-02	35-3001 for IR Hydrocarbon 100% LEL .....	1,600.00
35-3001-01-03	35-3001 for IR Methane 100% vol .....	1,600.00
35-3001-01H	35-3001 for Hydrogen specific 100% LEL .....	1,300.00
35-3001-02	35-3001 for Oxygen, 0-25% vol .....	1,200.00
35-3001-05-02	35-3001 for IR Carbon Dioxide 0-5,000 ppm .....	1,600.00
35-3001-05-03	35-3001 for IR Carbon Dioxide 0-5% vol .....	1,600.00
35-3001-05-05	35-3001 for IR Carbon Dioxide 0-50% vol .....	1,600.00
35-3001-05-10	35-3001 for IR Carbon Dioxide 0-100% vol .....	1,600.00
35-3001-NS-03	35-3001 with no sensor, pump only .....	1,000.00

### 35-3001 Single Gas Direct Connect Version (4-20 mA transmitter included)

**ORDERING INFORMATION:** The 35-3001 series can be used with the Beacon 110, Beacon 200, Beacon 410A, Beacon 800, AC-7400 and Beacon 3200. Tubing is sold separately. Recommended tubing size is 1/4" OD.

<u>Part#</u>	<u>Description</u>	<u>Suggested Retail</u>
35-3001-03	35-3001 for Hydrogen Sulfide 0-100 ppm .....	1,400.00
35-3001-04	35-3001 for Carbon Monoxide 0-300 ppm .....	1,400.00
35-3001A-01	35-3001 for combustibles 100% LEL sample draw detector with transmitter .....	1,500.00
35-3001A-01-01	35-3001 for IR Methane 100% LEL with transmitter .....	1,900.00
35-3001A-01-02	35-3001 for IR Hydrocarbon 100% LEL with transmitter .....	1,900.00
35-3001A-01-03	35-3001 for IR Methane 100% vol with transmitter .....	1,900.00
35-3001A-01H	35-3001 for Hydrogen specific 100% LEL with transmitter .....	1,600.00
35-3001A-02	35-3001 for Oxygen, 0-25% vol with transmitter .....	1,500.00
35-3001A-05-02	35-3001 for IR Carbon Dioxide 0-5,000 ppm with transmitter .....	1,900.00
35-3001A-05-03	35-3001 for IR Carbon Dioxide 0-5% vol with transmitter .....	1,900.00
35-3001A-05-05	35-3001 for IR Carbon Dioxide 0-50% vol with transmitter .....	1,900.00
35-3001A-05-10	35-3001 for IR Carbon Dioxide 0-100% vol with transmitter .....	1,900.00



# Fixed Systems Specialty Products

## 35-3001 Multi-Gas Version (No 4-20 mA transmitter)

**ORDERING INFORMATION:** The 35-3001 series can be used with the Beacon 110, Beacon 200, Beacon 410A, and Beacon 3200. Tubing is sold separately. Recommended tubing size is 1/4" OD.

**NOT** for use in Division I or Division 2 classified areas.



<b>Part#</b>	<b>Description</b>	<b>Suggested Retail</b>
35-3001-06	35-3001 for combustibles 100% LEL / Oxygen 0-25% vol .....	1,550.00
35-3001-06-01	35-3001 for IR Methane 100% LEL / Oxygen 0-25% vol .....	1,900.00
35-3001-06-02	35-3001 for IR Hydrocarbon LEL / Oxygen 0-25% vol .....	1,900.00
35-3001-06-03	35-3001 for IR Methane % vol / Oxygen 0-25% vol .....	1,900.00
35-3001-07	35-3001 for combustibles 100% LEL / Hydrogen Sulfide 0-100 ppm .....	1,700.00
35-3001-07-01	35-3001 for IR Methane 100% LEL / Hydrogen Sulfide 0-100 ppm .....	2,200.00
35-3001-07-02	35-3001 for IR Hydrocarbon 100% LEL / Hydrogen Sulfide 0-100 ppm .....	2,200.00
35-3001-07-03	35-3001 for IR Methane % vol / Hydrogen Sulfide 0-100 ppm .....	2,200.00
35-3001-08	35-3001 for combustibles 100% LEL / Carbon Monoxide 0-300 ppm .....	1,700.00
35-3001-08-01	35-3001 for IR Methane 100% LEL / Carbon Monoxide 0-300 ppm .....	2,200.00
35-3001-08-02	35-3001 for IR Hydrocarbon 100% LEL / Carbon Monoxide 0-300 ppm .....	2,200.00
35-3001-08-03	35-3001 for IR Methane % vol / Carbon Monoxide 0-300 ppm .....	2,200.00
35-3001-09	35-3001 for Oxygen 0-25% vol / Hydrogen Sulfide 0-100 ppm .....	1,700.00
35-3001-10	35-3001 for Oxygen 0-25% vol / Carbon Monoxide 0-300 ppm .....	1,700.00
35-3001-11	35-3001 for combustibles 100% LEL / IR Carbon Dioxide 0-5% .....	1,900.00
35-3001-11-0102	35-3001 for IR Methane 100% LEL / IR Carbon Dioxide 0-5,000 ppm .....	2,400.00
35-3001-11-0103	35-3001 for IR Methane 100% LEL / IR Carbon Dioxide 0-5% .....	2,400.00
35-3001-11-0105	35-3001 for IR Methane 100% LEL / IR Carbon Dioxide 0-50% .....	2,400.00
35-3001-11-0110	35-3001 for IR Methane 100% LEL / IR Carbon Dioxide 0-100% .....	2,400.00
35-3001-11-0202	35-3001 for IR Hydrocarbon 100% LEL / IR Carbon Dioxide 0-5,000 ppm .....	2,400.00
35-3001-11-0203	35-3001 for IR Hydrocarbon 100% LEL / IR Carbon Dioxide 0-5% .....	2,400.00
35-3001-11-0205	35-3001 for IR Hydrocarbon 100% LEL / IR Carbon Dioxide 0-50% .....	2,400.00
35-3001-11-0210	35-3001 for IR Hydrocarbon 100% LEL / IR Carbon Dioxide 0-100% .....	2,400.00
35-3001-12	35-3001 for combustibles 100% LEL / IR Methane 100% LEL .....	1,900.00

## 35-3001 Multi-Gas Transmitter Version (4-20 mA transmitter included)

**ORDERING INFORMATION:** The 35-3001 series can be used with the Beacon 110, Beacon 200, Beacon 410A, Beacon 800, AC-7400 and Beacon 3200. Tubing is sold separately. Recommended tubing size is 1/4" OD.

**NOT** for use in Division I or Division 2 classified areas.

<b>Part#</b>	<b>Description</b>	<b>Suggested Retail</b>
35-3001A-07	35-3001 for combustibles 100% LEL / Hydrogen Sulfide 0-100 ppm with transmitter .....	2,000.00
35-3001A-07-01	35-3001 for IR Methane 100% LEL / Hydrogen Sulfide 0-100 ppm with transmitter .....	2,500.00
35-3001A-07-02	35-3001 for IR Hydrocarbon 100% LEL / Hydrogen Sulfide 0-100 ppm with transmitter .....	2,500.00
35-3001A-07-03	35-3001 for IR Methane % vol / Hydrogen Sulfide 0-100 ppm with transmitter .....	2,500.00
35-3001A-08	35-3001 for combustibles 100% LEL / Carbon Monoxide 0-300 ppm with transmitter .....	2,000.00
35-3001A-08-01	35-3001 for IR Methane 100% LEL / Carbon Monoxide 0-300 ppm with transmitter .....	2,500.00
35-3001A-08-02	35-3001 for IR Hydrocarbon 100% LEL / Carbon Monoxide 0-300 ppm with transmitter .....	2,500.00
35-3001A-08-03	35-3001 for IR Methane % vol / Carbon Monoxide 0-300 ppm with transmitter .....	2,500.00
35-3001A-09	35-3001 for Oxygen 0-25% vol / Hydrogen Sulfide 0-100 ppm with transmitter .....	2,000.00
35-3001A-10	35-3001 for Oxygen 0-25% vol / Carbon Monoxide 0-300 ppm with transmitter .....	2,000.00

# Fixed Systems Specialty Products

## 35-3010RK Multi-Gas Version (No 4-20 mA transmitter)

**ORDERING INFORMATION:** The 35-3010RK series can be used with the Beacon 410A and Beacon 3200 series.

<u>Part#</u>	<u>Description</u>	<u>Suggested Retail</u>
35-3010RK-01	LEL (internal amp)/ O2 (internal amp)/ H2S/ CO (4-20mA) sample draw assembly in NEMA 4X enclosure	2,600.00
35-3010RK-02	LEL (internal amp)/ O2 (internal amp)/ H2S (4-20mA) sample draw assembly in NEMA 4X enclosure ...	2,400.00
35-3010RK-03	LEL (internal amp)/ O2 (internal amp)/CO (4-20mA) sample draw assembly in NEMA 4X enclosure.....	2,400.00

## 35-3010RKA Multi-Gas Transmitter Version (4-20 mA transmitter included)

**ORDERING INFORMATION:** The 35-3010RKA series can be used with the Beacon 410A, Beacon 800, Beacon 3200, and AC-7400 controllers.

<u>Part#</u>	<u>Description</u>	<u>Suggested Retail</u>
35-3010RKA-01	LEL/O2/ H2S/ CO sample draw assembly in NEMA 4X enclosure with transmitters .....	3,050.00
35-3010RKA-02	LEL/O2/ H2S sample draw assembly in NEMA 4X enclosure with transmitters .....	2,850.00
35-3010RKA-03	LEL/O2 /CO sample draw assembly in NEMA 4X enclosure with transmitters .....	2,800.00

## 35-3001 Series Replacement Sensors

<u>Part#</u>	<u>Description</u>	<u>Suggested Retail</u>
61-0155RK	Sensor, LEL H2 only, plug-in, (NC-6244) for EAGLE 2, 35-3001, 35-3000, GD-A8/D8 .....	250.00
NC-6245	Sensor, Combustible 0-100% LEL for sample draw 35-3001, 35-3000, SD-1, and Model 1017 .....	220.00
ES-1531-CO	Sensor, Carbon Monoxide (CO) 0 - 300 ppm, plug-in type, CT-7 style, cCSAus version .....	195.00
ES-1537-H2S	Sensor, Hydrogen Sulfide (H2S) 0 - 100 ppm, plug-in type, CT-7 style, cCSAus version .....	195.00
OS-B11	Sensor, Oxygen with cable and pigtail .....	195.00
61-5039RK-CH4	Sensor, Methane (CH4) 0-100% LEL, IR, plug-in style .....	400.00
61-5039RK-HC	Sensor, Hydrocarbon (HC) 0-100% LEL, IR, plug-in style .....	400.00
61-5041RK-CH4	Sensor, IR Methane (CH4) 0 - 100% vol, plug-in .....	400.00
61-5040RK-02	Sensor, IR Carbon Dioxide (CO2) 0-5,000 ppm, plug-in type, non-explosion proof .....	400.00
61-5040RK-03	Sensor, IR Carbon Dioxide (CO2) 0-5%, plug-in type, non-explosion proof.....	400.00
61-5040RK-05	Sensor, IR Carbon Dioxide (CO2) 0-50%, plug-in type, non-explosion proof .....	400.00
61-5040RK-10	Sensor, IR Carbon Dioxide (CO2) 0-100%, plug-in type, non-explosion proof.....	400.00



## 35-3001 / 35-3010 Series Replacement Parts

<u>Part#</u>	<u>Description</u>	<u>Suggested Retail</u>
33-6098	Charcoal Filter, DIA-BNCC,for 35-3001 .....	30.00
30-1016RK	Replacement pump for 35-3001/GD-K7D2/GD-K77D/1017, 24 VDC,with connectors & cable, RP-D24A-1	150.00
30-0610RK	Replacement pump for 35-3010, 24VAC .....	200.00

# Fixed Systems Specialty Products

## Explosion Proof Multi Point Detector Assembly, Class I, Div. 1 Approved

**ORDERING INFORMATION:** All pricing includes the sensor and explosion proof housing.

**Note:** Use IR LEL versions for wastewater or sewage applications.



Part#	Description	Suggested Retail
65-2482RK-04	Multi-sensor, direct connection for IR LEL (CH4) / CO with j-box, UL version .....	1,300.00
65-2482RK-05	Multi-sensor, direct connection for IR LEL (CH4) / O2 / with j-box .....	1,300.00
65-2482RK-03	Multi-sensor, direct connection for IR LEL (CH4) / H2S with j-box, UL version .....	1,300.00
65-2482RK-02	Multi-sensor, direct connection for IR LEL (CH4) / O2 / CO with j-box, UL version .....	1,700.00
65-2481RK-01	Multi-sensor, direct connection for IR LEL (CH4) / O2 / H2S / CO with j-box .....	2,200.00
65-2482RK-01	Multi-sensor, direct connection for IR LEL (CH4) / O2 / H2S with j-box, UL version.....	1,700.00
65-2482RK-06	Multi-sensor, direct connection for IR LEL (CH4) / H2S / CO with j-box .....	1,700.00
65-2484RK-34	Multi-sensor, direct connection for IR LEL (CH4) / H2S / CO / NH3 with j-box (not explosion proof) .....	2,450.00
65-2483RK-04	Multi-sensor, direct connection for IR LEL (HC) / CO with j-box, UL version .....	1,300.00
65-2483RK-05	Multi-sensor, direct connection for IR LEL (HC) / O2 with j-box, UL version .....	1,300.00
65-2483RK-03	Multi-sensor, direct connection for IR LEL (HC) / H2S with j-box, UL version .....	1,300.00
65-2483RK-02	Multi-sensor, direct connection for IR LEL (HC) / O2 / CO with j-box, UL version .....	1,700.00
65-2483RK-06	Multi-sensor, direct connection for IR LEL (HC) / H2S / CO with j-box, UL version .....	1,700.00
65-2481RK-02	Multi-sensor, direct connection for IR LEL (HC) / O2 / H2S / CO with j-box .....	2,200.00
65-2483RK-01	Multi-sensor, direct connection for IR LEL (HC) / O2 / H2S with j-box, UL version .....	1,700.00
65-2480RK-54	Multi-sensor, direct connection for LEL (catalytic) / CO with j-box, CSA version .....	925.00
65-2480RK-04	Multi-sensor, direct connection for LEL (catalytic) / CO with j-box, UL version .....	875.00
65-2480RK-03	Multi-sensor, direct connection for LEL (catalytic) / H2S with j-box, UL version .....	875.00
65-2480RK-53	Multi-sensor, direct connection for LEL (catalytic) / H2S with j-box, CSA version .....	925.00
65-2480RK-52	Multi-sensor, direct connection for LEL (catalytic) / O2 / CO with j-box, CSA version .....	1,300.00
65-2480RK-02	Multi-sensor, direct connection for LEL (catalytic) / O2 / CO with j-box, UL version .....	1,200.00
65-2481RK	Multi-sensor, direct connection for LEL (catalytic) / O2 / H2S / CO with j-box.....	1,800.00
65-2480RK-01	Multi-sensor, direct connection for LEL (catalytic) / O2 / H2S with j-box, UL version .....	1,200.00
65-2480RK-51	Multi-sensor, direct connection for LEL (catalytic) / O2 / H2S with j-box, CSA version .....	1,300.00
65-2480RK-05	Multi-sensor, direct connection for LEL (catalytic) / H2S / CO with j-box, CSA version .....	1,250.00
65-2484RK-06	Multi-sensor, direct connection for LEL (catalytic) / O2 / H2S / SO2 with j-box (not explosion proof) ...	1,950.00
65-2485RK-02	Multi-sensor, direct connection for H2S / O2 / CO with j-box, UL version .....	1,350.00

## Wet Well Package

Part#	Description	Suggested Retail
72-2104A-WW1	Wet Well Package with Beacon 410A controller, tri-head IR LEL (HC) / O2 / H2S, and IR CH4 direct connect (for ceiling mounting)	
72-2104A-WW2	Wet Well Package with Beacon 410A controller, tri-head IR LEL (CH4) / O2 / H2S .....	3,850.00
61-1003RKSS-CH4	Sensor, IR, Methane (CH4) 0 - 100% LEL, explosion proof with stainless steel j-box, UL version .....	900.00



Beacon 410A



Remote mount LEL IR for mounting sensor high with -WW1 wet well package.

# Fixed Systems Specialty Products

## Rig Monitor H2S and/or LEL Systems



**M2A RM**



**Beacon 110 RM**



**Beacon 200 RM**

<u>Part#</u>	<u>Description</u>	<u>Suggested Retail</u>
72-2110RK	Beacon 110, single channel controller (no sensor) .....	1,000.00
72-2110RK-LR-01	Rig Monitor system, with Beacon 110 single channel controller, combustible sensor 0-100% LEL, with cal cup / splash guard and 25' cable, horn/strobe, and 50' power cable with battery clamps .....	1,900.00
72-2102RK-HLR	Rig Monitor system, with Beacon 200 two channel controller, Hydrogen Sulfide (H2S) 0-100 ppm sensor, combustible sensor 0-100% LEL, with cal cup / splash guard and 25' cable, horn/strobe, and 50' power cable with battery clamps .....	3,250.00
72-2102RK-HR	Rig Monitor system, with Beacon 200 two channel controller, Hydrogen Sulfide (H2S) 0-100 ppm sensor with cal cup / splash guard and 25' cable, horn/strobe, and 50' power cable with battery clamps .....	3,400.00
65-2645RK-HR	Rig Monitor system with M2A transmitter, 0-100 ppm H2S, horn, strobe, remote mount sensor, and power cable with battery clamp .....	1,850.00

### Replacement Sensor

<u>Part#</u>	<u>Description</u>	<u>Suggested Retail</u>
61-0140RK	Sensor, LEL combustible (catalytic), direct connection (no transmitter, no j-box), UL version .....	250.00
ES-1537-H2S	Sensor, Hydrogen Sulfide (H2S) 0 - 100 ppm, plug-in type, CT-7 style, cCSAus version .....	195.00

### Calibration Kits

Instrument #	Cal-Kit Part #	Cal-Kit Description	Price
65-2625RK-HR 72-2102RK-HR 72-2110RK-HR	81-F101RK-LV	Cal kit, fixed, 34AL cyl 25 ppm Hydrogen Sulfide in N2, reg with gauge & knob, cal cup, screwdriver, case & tubing	410.00

### **Notes**

- Fixed system pricing is for equipment only and does not include factory start-up or training. Please contact RKI for quotation if factory start-up or training is needed.
- Please contact RKI if you would like assistance with pricing or configuring a system quotation.
- A calibration test kit is a strongly recommended accessory for all fixed systems.

# Fixed Systems Specialty Products

## Single / Dual Point Air Aspirator Panel

**ORDERING INFORMATION:** When ordering an Air Aspirated Panel System please specify the following:

- 1) Select the correct panel number below for 1 or 2 sensors, and for either M2A series, Direct Connect, S2 series, T2A, T3A, or VOC Pro
- 2) Select desired detector assembly M2A, Direct Connect, T2A, T3A, VOC Pro, or S2 heads as separate line items.



## M2A Aspirator Panels

<u>Part#</u>	<u>Description</u>	<u>Suggested Retail</u>
30-0954RK-201	Aspirator panel for one LEL M2A transmitter, with flow switch .....	3,300.00
30-0954RK-202	Aspirator panel for two LEL M2A transmitters, with flow switch .....	3,600.00
30-0954RK-203	Aspirator panel for one oxygen or toxic M2A transmitter, with flow switch .....	3,300.00
30-0954RK-204	Aspirator panel for two oxygen or toxic M2A transmitters, with flow switch .....	3,600.00
30-0954RK-205	Aspirator panel for one IR M2A transmitter, with flow switch .....	3,300.00
30-0954RK-206	Aspirator panel for two IR M2A transmitters, with flow switch .....	3,600.00
30-0954RK-207	Aspirator panel for one LEL and one oxygen or toxic M2A transmitter, with flow switch .....	3,600.00
30-0954RK-208	Aspirator panel for one LEL and one IR M2A transmitters, with flow switch .....	3,600.00
30-0954RK-209	Aspirator panel for one oxygen or toxic and one IR M2A transmitters, with flow switch .....	3,600.00
30-0954-2XX	Aspirator panel for three M2A transmitters, specify gas combination, with flow switch .....	3,800.00

## Direct Connect & S2 Aspirator Panels

<u>Part#</u>	<u>Description</u>	<u>Suggested Retail</u>
30-0954RK-261	Aspirator panel for one LEL Direct Connect or S2 transmitter, with flow switch .....	3,300.00
30-0954RK-263	Aspirator panel for one oxygen or toxic Direct Connect or S2 transmitter, with flow switch .....	3,300.00
30-0954RK-264	Aspirator panel for two oxygen or toxic Direct Connect or S2 transmitters, with flow switch .....	3,600.00
30-0954RK-265	Aspirator panel for one IR Direct Connect or S2 transmitters, with flow switch .....	3,300.00
30-0954RK-266	Aspirator panel for two IR Direct Connect or S2 transmitters, with flow switch .....	3,600.00
30-0954RK-267	Aspirator panel for one LEL and one oxygen or toxic Direct Connect or S2 transmitter, with flow switch .....	3,600.00
30-0954RK-268	Aspirator panel for one LEL and one IR Direct Connect or S2 transmitters, with flow switch .....	3,600.00
30-0954RK-269	Aspirator panel for one oxygen or toxic and one IR Direct Connect or S2 transmitters, with flow switch .....	3,600.00

## T3A Aspirator Panels

<u>Part#</u>	<u>Description</u>	<u>Suggested Retail</u>
30-0954RK-281	Aspirator panel for one T2A, T3A, or VOC Pro with flow switch .....	3,300.00
30-0954RK-283	Aspirator panel for one LEL M2A and one T2A, T3A, or VOC Pro with flow switch .....	3,300.00
30-0954RK-285	Aspirator panel for one M2A with 3/4 NPT IR detector, and one T2A, T3A, or VOC Pro head .....	3,300.00
30-0954RK-282	Aspirator panel for two T2A, T3A, or VOC Pro heads with flow switch .....	3,600.00
30-0954RK-282ST	Aspirator panel for two T2A, T3A, or VOC Pro heads, super toxic type, with flow switch .....	3,600.00
30-0954RK-284	Aspirator panel for one oxygen or toxic M2A and one T2A, T3A, or VOC Pro heads with flow switch ...	3,600.00

## Detector assemblies

### Refer to detector assembly sections for complete listing

Direct Connect	Sensors with or without junction boxes, that connect directly to a controller (no transmitter) .....	page 168
S2 Series (SS type)	Sensor / transmitter with stainless steel explosion proof junction box (no display) .....	page 174
M2A Series	Stand alone sensor / transmitter with explosion proof junction box and digital display .....	page 179
T2A Series	2-Wire explosion proof transmitter, EC sensors, display .....	page 185
T3A Series	3-Wire explosion proof transmitter, CAT/IR/EC/PID sensors, display .....	page 189
VOC Pro	PID explosion proof transmitter, four PID sensor options, display .....	page 193

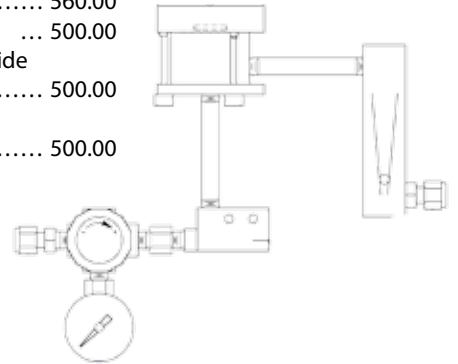
**NOTE:** Aspirator panels can be supplied inside a wall mounting NEMA 4X enclosure for an additional \$3,000.

# Fixed Systems Specialty Products

## Sample Adapters for Fixed Systems

### Air Aspirator Sample Adapter

<b>Part#</b>	<b>Description</b>	<b>Suggested Retail</b>
30-0951-ST	Sample drawing adapter, aspirator for super toxic sensors (sensor sold separately) .....	920.00
30-0951RK	Sample drawing adapter with aspirator, LEL (sensor sold separately).....	500.00
30-0951RK-H2S	Sample drawing adapter, air aspirated, for use with NPT style sensor for Hydrogen Sulfide (H2S) (sensor sold separately).....	560.00
30-0951RK-IR	Sample drawing adapter, air aspirated for IR (sensor sold separately) ...	500.00
30-0951RK-O2/CO	Sample drawing adapter, air aspirated for Oxygen or Carbon Monoxide (sensor sold separately) .....	500.00
30-0960	Sample drawing adapter for T2A/T3A/VOC Pro/AirLink products with aspirator and brass fittings .....	500.00



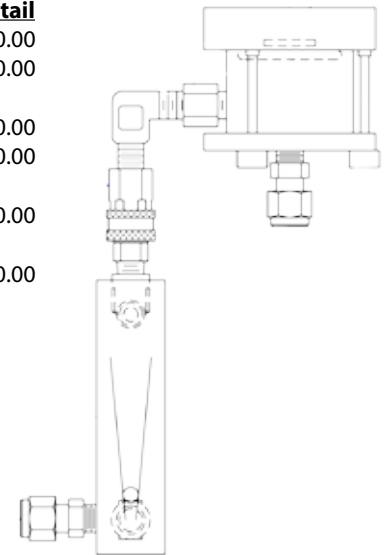
### Flow Through Adapter Only

<b>Part#</b>	<b>Description</b>	<b>Suggested Retail</b>
30-0951-ST-01	Flow through adapter for super toxic sensors (Series 7), chamber and fittings only .....	520.00
30-0951RK-01	Flow through adapter, LEL, chamber and fittings only.....	160.00
30-0951RK-HS-01	Flow through adapter, H2S, chamber and fittings only .....	200.00
30-0951RK-IR-01	Flow through adapter, IR sensors, chamber and fittings only .....	160.00
30-0951RK-OC-01	Flow through adapter, O2/CO, chamber and fittings only .....	160.00
30-0960-01	Flow through adapter for T2A/T3A/VOC Pro/AirLink products with brass fittings only .....	160.00



### Flow Through Adapter with Flow Meter

<b>Part#</b>	<b>Description</b>	<b>Suggested Retail</b>
30-0951RK-02	Flow through adapter, LEL, chamber with flow meter and fittings only ...	300.00
30-0951RK-HS-02	Flow through adapter, H2S, chamber, flow meter and fittings only .....	520.00
30-0951RK-IR-02	Flow through adapter, IR sensors, chamber with flow meter and fittings only .....	300.00
30-0951RK-OC-02	Flow through adapter, O2/CO, chamber, flow meter and fittings only ...	300.00
30-0960-02	Flow through adapter for T2A/T3A/VOC Pro/AirLink products with flow meter and brass fittings .....	300.00
30-0960-03	Flow through adapter for T2A/T3A/VOC Pro/AirLink products with flow meter, valve, and brass fittings .....	340.00



# Fixed Systems Specialty Products

## Model 1017 Explosion Proof Sample Draw Direct Connect Sensor

<u>Part#</u>	<u>Description</u>	<u>Suggested Retail</u>
79-1017-02	Model 1017 explosion proof sample draw, without sensor/flow block .....	1,200.00
79-1017-03	Model 1017 explosion proof combustible sample draw, 0-100 % LEL with NC-6245 sensor .....	1,500.00
79-1017F-01	Model 1017 explosion proof oxygen sample draw .....	1,500.00
79-1017-07	Model 1017 explosion proof combustible sample draw, 0-100 %LEL with IR HC sensor .....	1,800.00



## Fixed Systems Specialty Products Replacement Parts

**Note:** Confirm sensor number from printing on sensor being replaced.

<u>Part#</u>	<u>Description</u>	<u>Suggested Retail</u>
30-1016RK	Replacement pump for GD-K7D2/GD-K77D/1017, 24 VDC,with connectors & cable, RP-D24A-1 .....	150.00
HW-6211	Sensor HW-6211, for SD-1GP, GD-A80, GD-A8/D8, Isobutane, H2 .....	220.00
HW-6213	Sensor, HW-6213 for GD-A80, GD-A8, Methane .....	220.00
NC-6239	Sensor, LEL combustible (catalytic), NC-6239, plug-in .....	220.00
NC-6240A	Sensor, LEL or PPM combustible, for sample draw 35-3000 .....	220.00
NC-6245	Sensor, Combustible 0-100% LEL for sample draw 35-3001, 35-3000, SD-1, and Model 1017 .....	220.00
OS-B11	Sensor, Oxygen with cable and pigtail .....	195.00
OS-B11TF	Sensor, Oxygen (O2) 0 - 25%, OS-B11TF, with cable, pigtail, solvent resistant .....	210.00

# Fixed Systems Specialty Products

## Digester Gas Monitor

**ORDERING INFORMATION:** When ordering a Digester Gas Monitor please specify the following:

- 1) Select gas combination below specifying H2S ranges as 500 ppm, 1,000 ppm, 3,000 ppm, or 5,000 ppm.
- 2) For H2S ranges of 500 ppm, 3,000 or 5,000 ppm on 1, 2 or 3 gas versions, add -05K, -3K or -5K to the end of the part number.
- 3) For gas combinations not listed below, please consult the factory.
- 4) Prices below are only guidelines. Consult the factory for a quotation.



**Note: Standard discounts do not apply to Digester products. All Digester quotations must come from the factory.**

### 4 Gas Models

<u>Part#</u>	<u>Description</u>	<u>Suggested Retail</u>
72-2120-401	Digester gas monitor, 100% volume CH4 / 25% volume O2 / 50% volume CO2 / 1,000 ppm H2S	16,000.00
72-2120-401-05K	Digester gas monitor, 100% volume CH4 / 25% volume O2 / 50% volume CO2 / 500 ppm H2S	16,000.00
72-2120-401-3K	Digester gas monitor, 100% volume CH4 / 25% volume O2 / 50% volume CO2 / 3,000 ppm H2S	16,000.00
72-2120-401-5K	Digester gas monitor, 100% volume CH4 / 25% volume O2 / 50% volume CO2 / 5,000 ppm H2S	16,000.00

### 3 Gas Models

<u>Part#</u>	<u>Description</u>	<u>Suggested Retail</u>
72-2120-301	Digester gas monitor, 100% volume CH4 / 25% volume O2 / 1,000 ppm H2S	15,500.00
72-2120-302	Digester gas monitor, 100% volume CH4 / 25% volume O2 / 50% volume CO2	15,700.00
72-2120-303	Digester gas monitor, 100% volume CH4 / 50% volume CO2 / 1,000 ppm H2S	15,800.00
72-2120-304	Digester gas monitor, 25% volume O2 / 50% volume CO2 / 1,000 ppm H2S	15,500.00

### 2 Gas Models

<u>Part#</u>	<u>Description</u>	<u>Suggested Retail</u>
72-2120-201	Digester gas monitor, 100% volume CH4 / 25% volume O2	15,200.00
72-2120-202	Digester gas monitor, 100% volume CH4 / 1,000 ppm H2S	15,300.00
72-2120-203	Digester gas monitor, 100% volume CH4 / 50% volume CO2	15,500.00
72-2120-204	Digester gas monitor, 25% volume O2 / 1,000 ppm H2S	15,000.00
72-2120-205	Digester gas monitor, 25% volume O2 / 50% volume CO2	15,200.00

### 1 Gas Models

<u>Part#</u>	<u>Description</u>	<u>Suggested Retail</u>
72-2120-101	Digester gas monitor, 100% volume CH4	15,000.00
72-2120-102	Digester gas monitor, 25% volume O2	14,700.00
72-2120-103	Digester gas monitor, 1,000 ppm H2S	14,800.00
72-2120-104	Digester gas monitor, 50% volume CO2	15,000.00

### Digester Calibration Kits

<u>Instrument #</u>	<u>Cal-Kit Part #</u>	<u>Cal-Kit Description</u>	<u>Price</u>
72-2120-103	81-2120-103-1K	Cal kit, Digester 101, 58AL cyl H2S 200 ppm in N2, demand flow regulator, case, and tubing	490.00
72-2120-401	81-2120-401-1K	Cal kit, Digester 401, 58L steel cyl CO2 40% vol / CH4 60% vol in N2, 58AL cyl H2S 200 ppm in N2, demand flow regulator, case, and tubing	585.00
	81-2120-401-5K	Cal kit, Digester 401, 58L steel cyl CO2 40% vol / CH4 60% vol in N2, 58AL cyl H2S 500 ppm in N2, demand flow regulator, case, and tubing	585.00



# Fixed Systems Specialty Products

## Digester Replacement Parts & Accessories

Part#	Description	Suggested Retail
31-0023RK	Flowmeter, 0.2 - 2.0 SCFH, stainless steel ftngs, with valve .....	110.00
31-0030RK	Flowmeter, 0.6 - 5 SCFH, stainless steel ftngs, 1/8 NPT, without valve .....	80.00
31-3002-01	Regulator, 1/4 NPT ports, 150 psi max input, 0-0.5 psi output with INCREASE label, Digester .....	940.00
32-0209RK	Solenoid Valve, 3-Way, multi-purpose, 1/8 NPT Female, 24 VDC, stainless steel .....	148.00
32-0210RK	Solenoid Valve, 2-Way, Normally Closed, 1/8 NPT Female, 24 VDC, stainless steel .....	150.00
32-0221-02	Solenoid Valve for Digester inlet, EPDM and polypropylene with label .....	590.00
32-0221-03	Solenoid Valve for Digester inlet, EPDM and polypropylene, retrofit kit to replace SS valve .....	620.00
33-0164RK	Filter, oil mist removal, Balston, 9900-05-BK, EAGLE / EAGLE 2 / marine .....	46.00
33-0167RK	Filter, particulate, CF-8369 .....	25.00
33-0171RK	Filter replacement, AcroPak 300 with PTFE membrane, 0.2 um .....	180.00
33-0413RK	Filter, Water Trap, 5 micron element, Polycarbonate Bowl, Female 1/4"NPT .....	95.00
33-2100RK	Dryer, gas, w/12 inch long tube, polypropylene, Perma Pure MD-110-12P .....	520.00
51-0096RK-10	Adder, strobe / horn for Digester Gas Monitor .....	180.00
61-5040RK-05	Sensor, IR Carbon Dioxide (CO2) 0-50%, plug-in type, non-explosion proof .....	400.00
61-5041RK-CH4	Sensor, IR Methane (CH4) 0 - 100% vol, plug-in .....	400.00
65-2039RK	Sensor, Hydrogen Sulfide (H2S) 0-200 ppm / 1,000 ppm .....	480.00
75-0038	Standby battery, 12AH, with charger circuit added to Digester controller .....	495.00
OS-B11	Sensor, Oxygen with cable and pigtail .....	195.00

## Paper Tape Monitors

**ORDERING INFORMATION:** When ordering a Paper Tape system please specify the following:

- 1) Paper tape machine (specify gas and range)
- 2) Replacement tape (specify gas and range)
- 3) Consult factory before selecting any paper tape monitor



Part#	Description	Suggested Retail
FP-300	Model FP-300 paper tape machine .....	5,300.00
FP-300A-BF3	Model FP-300 paper tape machine for Boron Trifluoride, 0 - 3 ppm .....	5,600.00
FP-300A-HBR	Model FP-300 paper tape machine for Hydrogen Bromine HBr, 0 - 2 ppm .....	5,600.00
FP-300AGZS	Model FP-300 paper tape machine for C4F6/C5F8, 0 - 5.00 ppm.....	8,600.00
FP-301-ASH3	Model FP-300 paper tape machine for Arsine AsH3, 0 - 15 ppb .....	5,600.00

### Replacement Parts

65-FC-010	Tape FC-010 for Ammonia NH3, FP-300 .....	170.00
65-FCL-001	Tape FCL-001 for Arsine AsH3, FP-300/-301 .....	170.00
65-FCL-015	Tape FCL-015 for Chlorine Cl2, FP-300 .....	170.00
30-1016RK	Replacement pump for GD-K7D2/GD-K77D/1017, 24 VDC, with connectors & cable, RP-D24A-1 .....	150.00
33-0165RK	Filter, Millipore, PTFE, Disc type, hydrophobic, EAGLE, Fixed Systems.....	27.00
65-FC-303	Tape FC-303 for Chlorine Cl2, 0 - 0.5 ppm, FP-300 .....	170.00
65-FCL-002	Tape FCL-002 for Silane SiH4, FP-300.....	170.00

Part#	Description	Suggested Retail
FP-330	Model FP-330 paper tape machine for formaldehyde .....	5,600.00

### Replacement Parts

65-FCL-018	Tape FCL-018 for formaldehyde, for FP-330 .....	130.00
------------	---	--------



### Replacement Parts For Discontinued FP-260AGZS

Part#	Description	Suggested Retail
65-FV-017	Tape FV-017 for Hexafluorobutadiene C4F6 & C5F8.....	120.00
65-FVL-001	Tape FVL-001 for Cupra Select, Arsine AsH3, Phosphine PH3, Disilane SiH6, Hydrogen Sulfide H2S, Hydrogen Selenide H2Se .....	85.00
65-FVL-002	Tape FVL-002 for Silane SiH4, Diborane B2H6, Dimethylaluminum Hydride DMAH (C2H7AL), Cupra select .....	85.00
65-FVL-004	Tape FVL-004 for Hydrogen Chloride HCl .....	85.00
65-FVL-006	Tape FVL-006 for Hexafluoroacetylene Acetone Hhfac (CF3COCH2COCF3) .....	85.00
65-FVL-015	Tape FVL-015 for Ruthenium tetraoxide RuO4, Chlorine Cl2 .....	85.00
65-FVL-108	Tape FVL-108 for Phosgene COCl2 .....	110.00

# Fixed Systems Legacy Products

## GD-K71D Replacement Sensors



<b>Part#</b>	<b>Description</b>	<b>Suggested Retail</b>
ESM-23-CO	Sensor, Carbon Monoxide (CO), 0-150 ppm, for GD-K88Ai, GD-K71D, GD-K77D, and SC-8000 .....	480.00
ESM-238-SO2	Sensor, Sulfur Dioxide (SO2), 0-6 ppm, for GD-K71D, GD-K77D, and SC-8000 .....	480.00
ESM-23AH-NO2	Sensor, Nitrogen Dioxide (NO2), 0-15 ppm, for GD-K88Ai, GD-K71D, GD-K77D, and SC-8000 .....	480.00
ESM-23AH-PH3	Sensor, Phosphine (PH3), 0-1 ppm, for GD-K88Ai, GD-K71D, GD-K77D, and SC-8000 .....	480.00
ESM-23AH-SiH4	Sensor, Silane (SiH4), 0-15 ppm, low H2 response, for GD-K88Ai, GD-K71D, GD-K77D, and SC-8000 .....	480.00
ESM-23AHS-ASH3	Sensor, Arsine (AsH3), 0-0.2 ppm, for GD-K88Ai, GD-K71D, GD-K77D, and SC-8000 .....	480.00
ESM-23AY-B2H6	Sensor, Diborane (B2H6), 0-0.3 ppm, for GD-K88Ai, GD-K71D, GD-K77D, and SC-8000 .....	480.00
ESM-23DH-GEH4	Sensor, Germane (GeH4), 0-0.8 ppm, for GD-K88Ai, GD-K71D, GD-K77D, and SC-8000 .....	480.00
ESM-23DH-HCN	Sensor, Hydrogen Cyanide (HCN), 0-15 ppm, for GD-K88Ai, GD-K71D, GD-K77D, and SC-8000 .....	480.00
ESM-23DH-MS	Sensor, Methyl Silane (CH3SiH3), 0-20 ppm, for GD-K88Ai, GD-K71D, GD-K77D, and SC-8000 .....	480.00
ESM-23DH-Si2H6	Sensor, Disilane (Si2H6), 0-15 ppm, for GD-K88Ai, GD-K71D, GD-K77D, and SC-8000 .....	480.00
ESM-23DH-SiH4	Sensor, Silane (SiH4), 0-15 ppm, for GD-K88Ai, GD-K71D, GD-K77D, and SC-8000, with H2 response .....	480.00
ESM-23E-HBR	Sensor, Hydrogen Bromide (HBr), 0-9 ppm, for GD-K88Ai, GD-K71D or GD-K77D .....	480.00
ESM-23E-HCL	Sensor, Hydrogen Chloride (HCl), 0-15 ppm, (with H2 response) for GD-K88Ai, GD-K71D, GD-K77D, and SC-8000 .....	480.00
ESM-23E-SO2	Sensor, Sulfur Dioxide (SO2), 0-30 ppm, for GD-K88Ai, GD-K71D, GD-K77D, and SC-8000.....	480.00
ESM-23R-NH3	Sensor, Ammonia (NH3), 0-75 ppm, for GD-K88Ai, GD-K71D, GD-K77D, and SC-8000 .....	480.00
ESM-23RH-NH3	Sensor, Ammonia (NH3), 0-75 ppm, for GD-K88Ai, GD-K71D, GD-K77D, and SC-8000, high humidity use .....	480.00
ESM-K233-CL2	Sensor, Chlorine (Cl2), 0-3 ppm, for GD-K88Ai, GD-K71D, GD-K77D, and SC-8000 .....	480.00
ESM-K233-F2	Sensor, Fluorine (F2), 0-3 ppm, for GD-K88Ai, GD-K71D, GD-K77D, and SC-8000 .....	480.00
ESM-K233-HCL	Sensor, Hydrogen Chloride (HCl), 0-15 ppm, for GD-K88Ai, GD-K71D, GD-K77D, and SC-8000 .....	480.00
ESM-K233-HF	Sensor, Hydrogen Fluoride (HF), 0-9 ppm, for GD-K88Ai, GD-K71D, GD-K77D, and SC-8000 .....	480.00
ESM-K233CS-CLFC	Sensor, Chlorine Trifluoride (ClF3), 0-0.6 ppm, for GD-K88Ai, GD-K71D, GD-K77D, and SC-8000 (no acid gas sensitivity) .....	480.00
ESM-K239C-O3	Sensor, Ozone (O3), 0-1.0 ppm, for GD-K88Ai, GD-K71D, GD-K77D, and SC-8000 .....	480.00

## GD-K71D Replacement Parts

<b>Part#</b>	<b>Description</b>	<b>Suggested Retail</b>
30-1018RK	Pump replacement for GD-K71D, 24 VAC, RP-D24S .....	120.00
33-0165RK	Filter, Millipore, PTFE, Disc type, hydrophobic, EAGLE, Fixed Systems.....	27.00
49-1410RK	Lithium battery pack, 3.6V, replacement for GD-K7D2 & GD-K77D .....	20.00

# Fixed Systems Legacy Products

## GD-K8A Replacement Sensors



<b>Part#</b>	<b>Description</b>	<b>Suggested Retail</b>
ES-23-CO	Sensor, Carbon Monoxide (CO), large, 0 - 150 ppm range	465.00
ES-237-H2S	Sensor, Hydrogen Sulfide (H2S), 0 - 30 ppm range	465.00
ES-238-SO2	Sensor, Sulfur Dioxide (SO2), new style, 0 - 10 ppm (or 0 - 6 ppm) range	465.00
ES-23A-NO	Sensor, Nitric Oxide (NO) 0 - 100 ppm range	465.00
ES-23AH-B2H6	Sensor, Diborane (B2H6) 0 - 30 ppm range	465.00
ES-23AH-H2S	Sensor, Hydrogen Sulfide (H2S), 0 - 1.00 ppm range	465.00
ES-23AH-NO2	Sensor, Nitrogen Dioxide (NO2) 0 - 15 ppm range	465.00
ES-23AH-O3	Sensor, Ozone (O3) 0 - 5.00 ppm range (old style)	465.00
ES-23AH-PH3	Sensor, Phosphine (PH3) 0 - 1.00 ppm range (no H2 response)	465.00
ES-23AH-SiH4	Sensor, Silane (SiH4) 0 - 15 ppm range, old style (no H2 response)	465.00
ES-23AHS-ASH3	Sensor, Arsine (AsH3) 0 - 0.20 ppm range or 0 - 1.00 ppm range	465.00
ES-23AY-B2H6	Sensor, Diborane (B2H6) 0 - 0.30 ppm range	465.00
ES-23DH-H2O2	Sensor, Hydrogen Peroxide (H2O2), 0-3 PPM, GD-K8	465.00
ES-23DH-HCN	Sensor, Hydrogen Cyanide (HCN) 0 - 30 ppm range	465.00
ES-23DH-PH3	Sensor, Phosphine (PH3) 0 - 1.00 ppm, GD-K8 (with H2 response)	465.00
ES-23DH-SiH4	Sensor, Silane (SiH4) 0 - 15 ppm range, new style (with H2 response)	465.00
ES-23E-HBR	Sensor, Hydrogen Bromide (HBr) 0 - 9.00 ppm range	465.00
ES-23E-HCL	Sensor, Hydrogen Chloride (HCl), 0 - 15 ppm range, (no Cl2 response)	465.00
ES-23E-HI	Sensor, Hydrogen Iodide (HI), 0-5 ppm	465.00
ES-23E-SO2	Sensor, Sulfur Dioxide (SO2) 0 - 30 ppm range (or 0 - 15 ppm range)	465.00
ES-23R-NH3	Sensor, Ammonia (NH3), (new style) 0 - 75 ppm range, (higher range optional)	465.00
ES-23RV-BTBAS	Sensor, BTBAS, 0 - 15 ppm	465.00
ES-K233-BR2	Sensor, Bromine (Br2) 0 - 1.00 ppm range	465.00
ES-K233-CL2	Sensor, Chlorine (Cl2) 0 - 3.00 ppm range (Family acid gas sensor)	465.00
ES-K233-F2	Sensor, Fluorine (F2) 0 - 3.00 ppm range	465.00
ES-K233-HF	Sensor, Hydrogen Fluoride (HF) 0 - 9.00 ppm range	465.00
ES-K239C-O3	Sensor, Ozone (O3) 0-1 ppm, new style, replaces ES-K239-O3	465.00
ESM-23SD-H2SE	Sensor, Hydrogen Selenide (H2Se), 0-0.20 ppm, for GD-K8A	480.00

## GD-K8A Replacement Parts

### Accessories

<b>Part#</b>	<b>Description</b>	<b>Suggested Retail</b>
21-0401	Housing, polycarbonate with clear cover for up to 4 MTL5500 series barriers	400.00
21-0402	Housing, polyester with clear cover for up to 10 MTL5500 series barriers	1,440.00
43-7013	IS Barrier, isolator, 2- or 3-wire 4-20 mA transmitter or HART, MTL5541	880.00

### Notes

- The following gases can be detected with the GD-K8A, however a sample drawing system is recommended: BCl3, HBr, HCl, HCN, and O3.

# Fixed Systems Legacy Products

## S- Series Diffusion Sensor / Transmitter



**ORDERING INFORMATION:** All S-Series pricing includes the sensor and explosion proof housing.

<b>Part#</b>	<b>Description</b>	<b>Suggested Retail</b>
65-2400RK	S-Series LEL sensor (catalytic) / transmitter with explosion proof j-box, UL version .....	800.00
65-2400RK-05	S-Series LEL sensor (catalytic) / transmitter with explosion proof j-box, CSA version .....	850.00
65-2450RK	S-Series LEL Hydrogen (H2) specific sensor / transmitter with explosion proof j-box, UL version .....	950.00
65-2450RK-05	S-Series LEL Hydrogen (H2) specific sensor / transmitter with explosion proof j-box, CSA version .....	1,000.00
65-2390RK-CH4	S-Series Methane (CH4) 0-100% LEL, IR sensor / transmitter with j-box, UL version .....	1,075.00
65-2390RK-HC	S-Series Hydrocarbon (isobutane) 0-100% LEL, IR sensor / transmitter with j-box, UL version .....	1,075.00
65-2435RK	Sensor, Carbon Monoxide (CO), H2 compensated, S Series sensor / transmitter, with j-box).....	1,400.00
65-2516RK	S-Series Oxygen (O2) sensor (capillary type) / transmitter, explosion proof with conduit mounting j-box, CSA version.....	800.00
65-2422RK-05	S-Series Hydrogen Sulfide (H2S) sensor / transmitter with explosion proof j-box, CSA version .....	940.00
65-2432RK-05	S-Series Carbon Monoxide (CO) sensor / transmitter with j-box, CSA version .....	940.00

### Replacement Sensors For S - Series

61-0140RK-05	Sensor, LEL combustible (catalytic), direct connection (no transmitter, no j-box), cCSAus version .....	300.00
61-0140RK	Sensor, LEL combustible (catalytic), direct connection (no transmitter, no j-box), UL version .....	250.00
NC-6205-01	Sensor, LEL Hydrogen (H2) specific, 1/2 NPT, with guard and silicone resistance, UL version, (no transmitter, no j-box) .....	400.00
NC-6205-05	Sensor, LEL Hydrogen (H2) specific, explosion proof direct connection, with silicone resistance, cCSAus version, (no transmitter, no j-box) .....	450.00
ES-1537-H2S	Sensor, Hydrogen Sulfide (H2S) 0 - 100 ppm, plug-in type, CT-7 style, cCSAus version .....	195.00
65-1025RK	Sensor, Oxygen (O2) 0 - 25%, capillary type, plug-in replacement for O2 assembly (65-2514RK & 65-2497RK) .....	140.00
65-2510RK	Sensor, Oxygen (O2) 0 -25%, non explosion proof direct connect, partial pressure type (no transmitter, no j-box) .....	250.00
65-2009RK	Sensor, Carbon Monoxide (CO) sensor, H2 compensated, EAGLE .....	500.00
ES-1531-CO	Sensor, Carbon Monoxide (CO) 0 - 300 ppm, plug-in type, CT-7 style, cCSAus version .....	195.00
61-0160RK	Sensor, Hydrogen (H2) 0-2,000 ppm, MOS, 1/2 NPT, UL version .....	400.00

# Fixed Systems Legacy Products

## M2 Replacement Sensors For Explosion Proof

<b>Part#</b>	<b>Description</b>	<b>Suggested Retail</b>
61-0140RK	Sensor, LEL combustible (catalytic), direct connection (no transmitter, no j-box), UL version .....	250.00
61-0140RK-05	Sensor, LEL combustible (catalytic), direct connection (no transmitter, no j-box), cCSAus version .....	300.00
61-0190RK-CH4	Sensor, Methane (CH4) 0 - 100% LEL, IR, explosion proof direct connection, 3/4" NPT nipple (no transmitter, no j-box), cULus version .....	700.00
61-5039RK-CH4	Sensor, Methane (CH4) 0-100% LEL, IR, plug-in style .....	400.00
61-0192RK-CH4	Sensor, Methane (CH4) 0 - 100% volume, IR, explosion proof direct connection, 3/4" NPT nipple (no transmitter, no j-box), cULus version .....	700.00
61-0190RK-HC	Sensor, Hydrocarbon (HC) 0 - 100% LEL, IR, isobutane standard calibration, explosion proof direct connection, 3/4" NPT nipple (no transmitter, no j-box), cULus version .....	700.00
61-5039RK-HC	Sensor, Hydrocarbon (HC) 0-100% LEL, IR, plug-in style .....	400.00
NC-6205-01	Sensor, LEL Hydrogen (H2) specific, 1/2 NPT, with guard and silicone resistance, UL version, (no transmitter, no j-box) .....	400.00
NC-6205-05	Sensor, LEL Hydrogen (H2) specific, explosion proof direct connection, with silicone resistance, cCSAus version, (no transmitter, no j-box) .....	450.00
61-0160RK	Sensor, Hydrogen (H2) 0-2,000 ppm, MOS, 1/2 NPT, UL version .....	400.00
TE-7550-01	Sensor, Hydrogen (H2) 0-10% volume, thermal conductivity, 1/2 NPT with guard, UL version .....	750.00
TE-7550-02	Sensor, Hydrogen (H2) 0-10% volume, thermal conductivity, 1/2 NPT without guard, UL version .....	750.00
65-1025RK	Sensor, Oxygen (O2) 0 - 25%, capillary type, plug-in replacement for O2 assembly (65-2514RK & 65-2497RK) .....	140.00
ES-1531-CO	Sensor, Carbon Monoxide (CO) 0 - 300 ppm, plug-in type, CT-7 style, cCSAus version .....	195.00
ES-1537-H2S	Sensor, Hydrogen Sulfide (H2S) 0 - 100 ppm, plug-in type, CT-7 style, cCSAus version .....	195.00
65-2049-01	Sensor, Hydrogen Cyanide (HCN), 0 - 15 ppm, CT-7 style, explosion proof and non explosion proof .....	320.00
61-0191RK-02	Sensor, Carbon Dioxide (CO2) 0 - 5,000 ppm, IR, explosion proof direct connection (no transmitter, no j-box), cULus version .....	700.00
61-0191RK-03	Sensor, Carbon Dioxide (CO2) 0 - 5%, IR, explosion proof direct connection (no transmitter, no j-box), cULus version .....	700.00
61-0191RK-05	Sensor, Carbon Dioxide (CO2) 0 - 50%, IR, explosion proof direct connection (no transmitter, no j-box), cULus version .....	700.00
61-0191RK-10	Sensor, Carbon Dioxide (CO2) 0 - 100%, IR, explosion proof direct connection (no transmitter, no j-box), cULus version .....	700.00



## M2 Replacement Sensors For Non Explosion Proof

<b>Part#</b>	<b>Description</b>	<b>Suggested Retail</b>
65-1025RK	Sensor, Oxygen (O2) 0 - 25%, capillary type, plug-in replacement for O2 assembly (65-2514RK & 65-2497RK) .....	140.00
65-2510RK	Sensor, Oxygen (O2) 0 -25%, non explosion proof direct connect, partial pressure type (no transmitter, no j-box) .....	250.00
ES-1537-H2S	Sensor, Hydrogen Sulfide (H2S) 0 - 100 ppm, plug-in type, CT-7 style, cCSAus version .....	195.00
ES-1531-CO	Sensor, Carbon Monoxide (CO) 0 - 300 ppm, plug-in type, CT-7 style, cCSAus version .....	195.00
61-5040RK-02	Sensor, IR Carbon Dioxide (CO2) 0-5,000 ppm, plug-in type, non-explosion proof .....	400.00
61-5040RK-03	Sensor, IR Carbon Dioxide (CO2) 0-5%, plug-in type, non-explosion proof.....	400.00
61-5040RK-05	Sensor, IR Carbon Dioxide (CO2) 0-50%, plug-in type, non-explosion proof .....	400.00
61-5040RK-10	Sensor, IR Carbon Dioxide (CO2) 0-100%, plug-in type, non-explosion proof.....	400.00

## M2 Replacement ESM-01 Toxic Sensors

<b>Part#</b>	<b>Description</b>	<b>Suggested Retail</b>
ESM-01R-D-NH3	Sensor, Ammonia (NH3), 0 - 75 ppm, ESM-01 plug-in type, for diffusion instruments .....	195.00
ESM-01DH-ASH3	Sensor, Arsine (AsH3), 0 - 1.50 ppm, ESM-01 plug-in type .....	195.00
ESM-01DH-D-HCN	Sensor, Hydrogen Cyanide (HCN), 0 - 15 ppm, ESM-01 plug-in type .....	195.00
ESM-01DH-PH3	Sensor, Phosphine (PH3), 0 - 1.0 ppm, ESM-01 plug-in type .....	195.00
ESM-K01-D-CL2	Sensor, Chlorine (Cl2), 0 - 3 ppm, ESM-01 plug-in diffusion type.....	195.00
ESM-01DH-D-SO2	Sensor, Sulfur Dioxide (SO2), 0 - 6 ppm, ESM-01 plug-in type .....	195.00

# Fixed Systems Legacy Products

## ***OX-500 & EC-500 Replacement Sensors***

<b><u>Part#</u></b>	<b><u>Description</u></b>	<b><u>Suggested Retail</u></b>
ES-1531-CO	Sensor, Carbon Monoxide (CO) 0 - 300 ppm, plug-in type, CT-7 style, cCSAus version .....	195.00
OS-B11	Sensor, Oxygen with cable and pigtail .....	195.00

## ***35-3000 Series Replacement Sensors***

<b><u>Part#</u></b>	<b><u>Description</u></b>	<b><u>Suggested Retail</u></b>
61-0155RK	Sensor, LEL H2 only, plug-in, (NC-6244) for EAGLE 2, 35-3001, 35-3000, GD-A8/D8 .....	250.00
61-0165RK	Sensor, Hydrogen (H2), 0-2000 ppm, SG-8541, plug-in .....	400.00
61-5039RK-CH4	Sensor, Methane (CH4) 0-100% LEL, IR, plug-in style .....	400.00
61-5039RK-HC	Sensor, Hydrocarbon (HC) 0-100% LEL, IR, plug-in style .....	400.00
61-5040RK-02	Sensor, IR Carbon Dioxide (CO2) 0-5,000 ppm, plug-in type, non-explosion proof .....	400.00
61-5040RK-03	Sensor, IR Carbon Dioxide (CO2) 0-5%, plug-in type, non-explosion proof .....	400.00
61-5040RK-05	Sensor, IR Carbon Dioxide (CO2) 0-50%, plug-in type, non-explosion proof .....	400.00
61-5040RK-10	Sensor, IR Carbon Dioxide (CO2) 0-100%, plug-in type, non-explosion proof .....	400.00
61-5041RK-CH4	Sensor, IR Methane (CH4) 0 - 100% vol, plug-in .....	400.00
65-0601RK	Sensor, Oxygen (O2) (OS-B3), for EAGLE, EAGLE 2, or RX-415 .....	160.00
65-2007RK	Sensor, Carbon Monoxide (CO), ES-81 type with connector for 35-3000RK .....	200.00
65-2037RK	Sensor, Hydrogen Sulfide (H2S), ES-87 type with connector for 35-3000RK .....	200.00
ES-1531-CO	Sensor, Carbon Monoxide (CO) 0 - 300 ppm, plug-in type, CT-7 style, cCSAus version .....	195.00
ES-1537-H2S	Sensor, Hydrogen Sulfide (H2S) 0 - 100 ppm, plug-in type, CT-7 style, cCSAus version .....	195.00
NC-6245	Sensor, Combustible 0-100% LEL for sample draw 35-3001, 35-3000, SD-1, and Model 1017 .....	220.00



# Fixed Systems Accessories

## Lights, Strobes, and Horns - Non Hazardous Locations

### Lights, Strobes, or Horns Only

<b>Part#</b>	<b>Description</b>	<b>Suggested Retail</b>
51-0053RK	Rotating alarm light, green, 115 VAC, Federal Signal 225-120V-G .....	450.00
51-0054RK	Rotating alarm light, amber, 115 VAC, Federal Signal 225-120V-A .....	460.00
51-0055RK	Rotating alarm light, red, 115 VAC, Federal Signal 225-120V-R .....	460.00
51-0056RK	Rotating alarm light, blue, 115 VAC, Federal Signal 225-120-B .....	460.00
51-0098-01-AMB	Strobe, red housing, with amber lens cover, 96 to 132 VAC, NEMA 3R, SpectraAlert .....	230.00
51-0098-01-RED	Strobe, red housing, with red lens cover, 96 to 132 VAC, NEMA 3R, SpectraAlert .....	230.00
51-0098-AMB	Strobe, red housing, with amber lens cover, 8 to 33 VDC, NEMA 4X, SpectraAlert .....	180.00
51-0098-RED	Strobe, red housing, with red lens cover, 8 to 33 VDC, NEMA 4X, SpectraAlert .....	180.00
51-0100	Strobe, white housing, with clear lens, 8 to 33 VDC, high candela, NEMA 4X, SpectraAlert .....	170.00
51-0100-01	Strobe, white housing, with clear lens, 96-132 VAC, high candela, NEMA 3R, SpectraAlert .....	220.00
51-0100-AMB	Strobe, white housing, with amber lens cover, 8 to 33 VDC, NEMA 4X, SpectraAlert .....	190.00
51-0200	Strobe, red housing with red lens, 12-80 VDC, flush mount, IP-66 / IP-67 .....	140.00
52-0003RK	Horn, 115 VAC, vibratory, NEMA 4X, Edward's 876-N5 .....	275.00
52-0004RK	Horn, 24 VDC, vibrating, Federal 450-24 VDC .....	380.00



51-0053RK / 51-0054RK / 51-0055RK



51-0098RK-01-AMB



51-0098RK-01-RED



51-0100-AMB



52-0003RK / 52-0004RK

### Lights/Strobes with Horns - 2 Wire (strobe and horn wired together)

<b>Part#</b>	<b>Description</b>	<b>Suggested Retail</b>
51-0090RK	Flashing alarm light with horn, red, 115 VAC, 40 watt lamp, Edwards 51R-N5-40W .....	480.00
51-0090RK-24	Flashing alarm light with horn, red, 24 VDC, 40 watt lamp, Edwards 51R-G1 .....	520.00
51-0091RK	Flashing alarm light with horn, blue, 115 VAC, 40 watt lamp, Edwards 51B-N5-40W .....	480.00
51-0091RK-24	Flashing alarm light with horn, blue, 24 VDC, 24 watt lamp, Edwards 51B-G1 .....	450.00
51-0092RK	Flashing alarm light with horn, amber, 115 VAC, 40 watt lamp, Edwards 51A-N5-40W .....	500.00
51-0092RK-24	Flashing alarm light with horn, amber, 24 VDC, 24 watt lamp, Edwards 51A-G1 .....	450.00
51-0093RK-AMB	Strobe with horn, red housing, 120 VAC, NEMA 4X, SpectraAlert, with amber lens cover .....	240.00
51-0093RK-BLU	Strobe with horn, red housing, 120 VAC, NEMA 4X, SpectraAlert, with blue lens cover .....	240.00
51-0093RK-RED	Strobe with horn, red housing, 120 VAC, NEMA 4X, SpectraAlert, with red lens cover .....	240.00
51-0096RK-AMB	Strobe with horn, red housing, 8 to 33 VDC, NEMA 4X, SpectraAlert, with amber lens cover .....	180.00
51-0096RK-BLU	Strobe with horn, red housing, 8 to 33 VDC, NEMA 4X, SpectraAlert, with blue lens cover .....	180.00
51-0096RK-RED	Strobe with horn, red housing, 8 to 33 VDC, NEMA 4X, SpectraAlert, with red lens cover .....	180.00
51-0099RK	Strobe light with horn, white housing, no markings, 8 to 33 VDC, NEMA 4X, SpectraAlert, with clear lens cover .....	190.00



51-0090RK / 51-0091RK / 51-0092RK



51-0093RK-AMB / 51-0093RK-BLU / 51-0093RK-RED



51-0096RK-AMB / 51-0096RK-BLU / 51-0096RK-RED



## Fixed Systems Accessories

### **Lights/Strobes with Horns - 4 Wire (strobe and horn wired separately)**

<u>Part#</u>	<u>Description</u>	<u>Suggested Retail</u>
51-0102-AMB	Horn with strobe, standard brightness, white housing, NEMA 3R, 4-wire, 16 to 33 VDC, amber lens, SpectraAlert .....	205.00
51-0102-RED	Horn with strobe, standard brightness, white housing, NEMA 3R, 4-wire, 16 to 33 VDC, red lens, SpectraAlert .....	205.00
51-0105	Horn with strobe, red housing, 8 to 33 VDC, NEMA 4X, SpectrAlert, 4 wire.....	228.00
51-0105-RED	Horn with strobe, red housing, 8 to 33 VDC, NEMA 4X, SpectrAlert, 4 wire, with red lens cover .....	240.00
51-0131-BLU	Horn with strobe, outdoor, panel mounting, 120 VAC, 4 wire, blue lens, Edwards 868STRB-N5 .....	580.00
51-0131-RED	Horn with strobe, outdoor, panel mounting, 120 VAC, 4 wire, red lens, Edwards 868STRR-N5 .....	580.00
51-0131-AMB	Horn with strobe, outdoor, panel mounting, 120 VAC, 4 wire, amber lens, Edwards 868STRA-N5.....	580.00
51-0131-AMB-24	Horn with strobe, outdoor, panel mounting, 24 VDC, 24 watt lamp, 4 wire, amber lens, Edwards 868STRA-N5.....	580.00
51-0131-BLU-24	Horn with strobe, outdoor, panel mounting, 24 VDC, 24 watt lamp, 4 wire, blue lens, Edwards 868STRA-N5 .....	580.00
51-0131-RED-24	Horn with strobe, outdoor, panel mounting, 24 VDC, 24 watt lamp, 4 wire, red lens, Edwards 868STRA-N5 .....	580.00



51-0131-AMB / 51-0131-BLU



51-0102-AMB / 51-0102-RED



### **Lights/Strobes and Horns - Hazardous Locations (Class I, Div 2)**

<u>Part#</u>	<u>Description</u>	<u>Suggested Retail</u>
52-0005RK	Horn, 115 VAC, Federal Signal 350-WBX, for hazardous locations, Class I Div 2 .....	840.00
51-0030RK-01	Strobe light, red, 115 VAC, Edwards 105FINHR-N5, for hazardous locations, Class I Div 2, with pipe mounting base .....	480.00
51-0031RK-01	Strobe light, red, 12 - 48 VDC, Edwards 105HISTR-EK, for Class I Div 2, with pipe mounting base .....	760.00
51-0035RK-01	Strobe light, amber, 115 VAC, Edwards 105FINHA-N5, for Class I Div 2, with pipe mounting base.....	480.00



52-0005RK  
Horn (Class I, Div 2)



51-0035RK-01  
Strobe light, amber (Class I, Div 2)



51-0030RK-01  
Strobe light, red (Class I, Div 2)



## Fixed Systems Accessories

### Lights/Strobes and Horns - Hazardous Locations (Class I, Div 1)

<u>Part#</u>	<u>Description</u>	<u>Suggested Retail</u>
51-0040-RED	Horn and Xenon strobe combo, red, explosion proof, Class I, Division 1, Zone 1, 24 VDC .....	4,400.00
51-0125	Strobe, explosion proof for Class I, Div I, Groups C & D,NEMA 4X, 120 VAC, red lens, pendant mounting, Federal 27XST-120R .....	3,600.00
52-0006RK	Vibrating horn, explosion proof for Class 1, Div. I, groups E,F,G, 120 VAC, Federal Signal 31X-120-3 .....	1,980.00



51-0040-RED



51-0125



52-0006RK

### Stacked Lights and Horn

<u>Part#</u>	<u>Description</u>	<u>Suggested Retail</u>
51-0166	Stack light / horn, 115 VAC, red/amber/green, steady, outdoor, Signaworks S370B-110-RAG-RI1 .....	700.00
51-0210	Stack light, 24 VDC, red/green, steady, IP65, Patlite LR7-202WJNW-RG .....	200.00
51-0214	Stack light / horn, 24 VDC, red/amber/flashing, steady, IP65, Patlite LR6-202WJBW-RY .....	270.00
51-0215	Stack light / horn, 24 VDC, red/blue/flashing, steady, IP65, Patlite LR6-202WJBW-RB .....	305.00



51-0166



51-0210



51-0214



51-0215

### Fixed Systems Replacement Parts and Accessories

<u>Part#</u>	<u>Description</u>	<u>Suggested Retail</u>
06-1248RK	Tubing, polyurethane, 3/16" ID x 5/16" OD, per foot .....	2.00
06-1251RK	Tubing, polyurethane, 1/4" ID x 3/8" OD, per foot .....	2.00
17-2500RK-01	Nut/ferrule/4x6 tube for GD-70D fitting .....	5.00
18-0400RK-01	Junction box, with spacers (Aluminum) .....	100.00
18-0400RK-02	Junction box, with spacers (Aluminum) and terminal strip .....	100.00
21-0519RK	Rain proof housing for GD-K8A .....	480.00
29-5500	Tag set, 2.50 x 1.00 tag size with mounting holes, 316 SS, tag quantity and characters defined by P.O. ...	17.00
30-0951-ST-01	Flow through adapter for super toxic sensors (Series 7), flow meter and fittings only .....	520.00
30-0951RK	Sample drawing adapter with aspirator, LEL (no sensor) .....	500.00
30-0951RK-01	Flow through adapter, LEL, chamber and fittings only.....	160.00
30-0951RK-02	Flow through adapter, LEL, chamber with flow meter and fittings only .....	300.00
30-0951RK-03	Flow through adapter, LEL, chamber with flow meter, valve and tube fittings .....	340.00

# Fixed Systems Accessories

## Fixed Systems Replacement Parts and Accessories

<b>Part#</b>	<b>Description</b>	<b>Suggested Retail</b>
30-0951RK-H2S	Sample drawing adapter, air aspirated, for use with NPT style sensor, for Hydrogen Sulfide (H2S) (sensor sold separately) .....	560.00
30-0951RK-HS-01	Flow through adapter, H2S, chamber and fittings only .....	200.00
30-0951RK-HS-02	Flow through adapter, H2S, chamber, flow meter and fittings only .....	520.00
30-0951RK-IR	Sample drawing adapter, air aspirated for IR (sensor sold separately) .....	500.00
30-0951RK-IR-01	Flow through adapter, IR sensors, chamber and fittings only .....	160.00
30-0951RK-IR-02	Flow through adapter, IR sensors, chamber with flow meter and fittings only .....	300.00
30-0951RK-O2/CO	Sample drawing adapter, air aspirated for Oxygen or Carbon Monoxide (sensor sold separately) .....	500.00
30-0951RK-OC-01	Flow through adapter, O2/CO, chamber and fittings only .....	160.00
30-0951RK-OC-02	Flow through adapter, O2/CO, chamber, flow meter and fittings only .....	300.00
30-0960	Flow through adapter for T2A/T3A/VOC Pro/AirLink products with aspirator and brass fittings .....	500.00
30-0960-01	Flow through adapter for T2A/T3A/VOC Pro/AirLink products with brass fittings only .....	160.00
30-0960-02	Flow through adapter for T2A/T3A/VOC Pro/AirLink products with flow meter and brass fittings .....	300.00
30-0960-03	Flow through adapter for T2A/T3A/VOC Pro/AirLink products with flow meter, valve, and brass fittings...	340.00
33-0165RK	Filter, Millipore, PTFE, Disc type, hydrophobic, EAGLE, Fixed Systems.....	27.00
33-0401RK	Water Trap assembly with J - tube .....	600.00
33-0413RK-11	Filter and 1/4" tube fitting assembly, water trap, 5 micron element, polycarb bowl .....	200.00
33-2001RK-01	Humidifier, 6" tube assembly for cal kits with 3/16" tubing on ends .....	120.00
33-2002RK-01	Humidifier, 24" for cal kits, with 3/16" tubing on ends, for EAGLE .....	320.00
33-3000-01	Splash guard, gas in port (shower head) with 1/4" OD push-in tube fitting .....	55.00
33-6095RK	Charcoal filter for fixed systems, CF-188 .....	64.00
33-7116RK-01	Silicone removal filter for 1/2" NPT LEL sensor .....	66.00
33-7121RK	Filter, H2S scrubber disk for ESM-01DH-SO2 sensor .....	5.00
47-1015RK-01	Power cord, SJT, 115 VAC, 8 feet, with bushings, added to fixed systems .....	42.00
48-0100RK	Ferrite Core, clamp on noise filter exhaust .....	3.25
49-0121-10	Power supply in 4X housing, 100-240 VAC in / 24 VDC 4.5 amp output .....	380.00
49-1551RK	Battery, lead acid, 12V, 1.2 amp hours .....	50.00
49-1552RK	Battery, lead acid, 12V, 12 amp hours .....	98.00
49-4000RK	AC Power supply assembly for M2/M2A, input 100 VAC to 240 VAC, output 24 VDC, 0.5 amp, mounted in 18-0400RK .....	195.00
49-4000RK-SS	AC Power supply assembly for M2/M2A stainless steel housing, input 100 VAC to 240 VAC, output 24 VDC, 0.5 amp, mounted in 18-0416RK-11 .....	295.00
49-8103RK	Standby battery assembly, 24 VDC, 1.2 AMP hours, for Beacon 110 and Beacon 200 .....	250.00
49-8104RK	Standby battery assembly, 24 VDC, 12 AMP hours, for Beacon 110, Beacon 200, Beacon 410A, Beacon 800, & Beacon 3200 .....	440.00
57-1053RK	Transmitter, S2, LEL, 4-20 mA, standard version, 4 wire (low current) detector .....	275.00
57-1064RK-01	Transmitter, S2, Oxygen, 0-25%, 4-20 mA, with gasket.....	275.00
57-1064RK-03	Transmitter, S2, toxics, 4-20 mA, with gasket .....	260.00
81-1103RK	Cal cup for IR 3/4" NPT sensor .....	15.00
81-1103RK-01	Calibration cup / splash guard, for IR 3/4" NPT sensor, with diffuser holes .....	40.00
81-1109RK	Cal cup for 82 single gas series, GX-82/86/91B (Not for GX-82A or GX-86A) .....	50.00
81-1112RK-01	Cal cup with diffuser holes, for 1/2 NPT sensor.....	50.00
81-1113RK	Cal cup, PS-2, with Screws .....	5.00
81-1114RK	Cal cup, diffusion, super toxic, GD-K8A, (rim feed) .....	26.00
81-1116RK	Cal cup/splash guard assembly, for CT7 sensor housing .....	60.00
81-1117RK	Cal cup, standard, fixed systems, for conduit mounting, LEL/O2/H2S/CO, (NPT type) .....	44.00
81-1120RK	Cal cup for GD-A8 and GD-A8V,w/fitting .....	110.00
81-1138RK	Cal cup for ESM-01 diffusion sensors, fixed systems (not for Cl2 or NH3) .....	74.00
81-1138RK-CL2	Cal cup for ESM-01 diffusion chlorine sensors, fixed systems .....	74.00
81-1138RK-NH3	Cal cup for ESM-01 diffusion ammonia sensors, fixed systems .....	74.00
81-1183	Cal cup with 3 ft 1/8" ID x 1/4" OD teflon tubing for T2A/T3A/VOC Pro/AirLink 6900 type detectors .....	160.00
81-1184	Rain guard for T2A/T3A/VOC Pro type explosion proof detector.....	20.00
81-1185	Cal cup with 3 ft 1/8" ID x 1/4" OD teflon tubing, for non explosion proof Air Alert .....	40.00
81-1190RK	Splash guard for ESM-01 detectors .....	15.00
82-0101RK	Magnetic wand, for M2A/T2A/T3A/VOC Pro/Air Alert/AirLink Transmitters .....	15.00
82-5100RK	Datalogger, 4-channel, 4-20 mA with software & USB cable .....	1,800.00
82-5102RK	Datalogger, 1 channel, 4-20 mA input, USB interface, with software & leads, Lascar EL-USB-4 .....	250.00
82-5201-01	Email / text generator in 4X housing, contact closure type with 12 VDC 1.5 amp power supply .....	650.00

# Fixed Systems Accessories

## Fixed Systems Replacement Parts and Accessories

<u>Part#</u>	<u>Description</u>	<u>Suggested Retail</u>
82-5220	ESTOP emergency shut off with relay contacts for solenoid valve control, 24 VDC power input .....	900.00
82-5221	ESTOP emergency shut off with relay contacts for solenoid valve control, 115 VAC power input .....	960.00
82-5222	ESTOP emergency shut off with air pressure control for solenoid valve, 24 VDC input .....	1,340.00
82-5223	ESTOP emergency shut off with air pressure control for solenoid valve, 115 VAC input .....	1,400.00

# Diffusion Fixed Systems Calibration Kits

## Kits for M2A, S2, and Direct Connect

**(Non Toxic and Non XP IR)**

Cal Cup  
Part # 81-1117RK



Part#	Description	Suggested Retail
Carbon Dioxide ppm	81-F407RK02-LV Cal kit, fixed for Direct Connect, non XP, 34L 2000 ppm Carbon Dioxide in N2, 34L cyl 100% N2, reg with gauge & knob, screwdriver, cal cup, case & tubing	390.00
Carbon Dioxide vol	81-F407RK03-LV Cal kit, fixed for Direct Connect, non XP, 34L 2.5% Carbon Dioxide in N2, 34L cyl 100% N2, reg with gauge & knob, screwdriver, case & tubing	390.00
Carbon Monoxide ppm	81-F201RK Cal kit, fixed, 103L steel cyl 100 ppm Carbon Monoxide in N2, reg with gauge & knob, cal cup, case & tubing	390.00
	81-F201RK-LV Cal kit, fixed, 34L cyl 100 ppm Carbon Monoxide in N2, reg with gauge & knob, cal cup, screwdriver, case & tubing	335.00
	81-F204RK-LV Cal kit, fixed, 34L cyl 200 ppm Carbon Monoxide in Air, reg with gauge & knob, cal cup, screwdriver, case & tubing	335.00
Hexane LEL	81-F001RK-LV Cal kit, fixed, 34L cyl 15% LEL Hexane in Air, reg with gauge & knob, cal cup, screwdriver, case & tubing	335.00
	81-F001RK Cal kit, fixed, 103L steel cyl 10% LEL Hexane in Air, reg with gauge & knob, cal cup, screwdriver, case & tubing	390.00
	81-F034RK-LV Cal kit, fixed, 34L cyl 15% LEL Hexane in Air, 34L cyl 100% zero air, reg with gauge & knob, case & tubing	390.00
	81-F038RK-LV Cal kit, fixed, 17L cyl 40% LEL Hexane in Air, 34L cyl 100% zero air, reg with gauge & knob, case & tubing	380.00
Hexane ppm	81-F011RK-LV Cal kit, fixed, 34AL cyl 400 ppm Hexane in Air, humidifier tube, reg with gauge & knob, cal cup, screwdriver, case & tubing	550.00
Hydrogen Sulfide ppm	81-F101RK-LV Cal kit, fixed, 34AL cyl 25 ppm Hydrogen Sulfide in N2, reg with gauge & knob, cal cup, screwdriver, case & tubing	410.00
Hydrogen LEL	81-F004RK Cal kit, fixed, 103L steel cyl 50% LEL Hydrogen in Air, reg with gauge & knob, cal cup, screwdriver, case & tubing	390.00
	81-F004RK-LV Cal kit, fixed, 34L cyl 50% LEL Hydrogen in Air, reg with gauge & knob, cal cup, screwdriver, case & tubing	335.00
Hydrogen ppm	81-F007RK Cal kit, fixed, 103L steel cyl 1,000 ppm Hydrogen in Air, humidifier tube, reg with gauge & knob, cal cup, screwdriver, case & tubing	505.00
	81-F007RK-LV Cal kit, fixed, 34L cyl 1,000 ppm Hydrogen in Air, humidifier tube, reg with gauge & knob, cal cup, screwdriver, case & tubing	450.00
	81-F025RK-LV Cal kit, fixed, 34L cyl 2,000 ppm Hydrogen in Air, humidifier tube assembly, reg with gauge & knob, cal cup, screwdriver, case & tubing	455.00
	81-F025RK Cal kit, fixed, 103L steel cyl 2,000 ppm Hydrogen in Air, humidifier tube assembly, reg with gauge & knob, cal cup, screwdriver, case & tubing	505.00
	81-F024RK Cal kit, fixed, 103L steel cyl 5,000 ppm Hydrogen in Air, reg with gauge & knob, cal cup, screwdriver, case & tubing	550.00
Isobutane LEL	81-F016RK-LV Cal kit, fixed, 34L cyl 50% LEL Isobutane in Air, reg with gauge & knob, cal cup, screwdriver, case & tubing	335.00
	81-F016RK Cal kit, fixed, 103L steel cyl 50% LEL Isobutane in Air, reg with gauge & knob, cal cup, screwdriver, case & tubing	390.00
Isopropyl alcohol LEL	81-F018RK-LV Cal kit, fixed, 17L cyl (8 liters gas at 120 psi) 10% LEL Isopropyl Alcohol in Air, reg with gauge & knob, cal cup, screwdriver, case and tubing	335.00
	81-F018RKS-LV Cal kit, fixed, 17L cyl (8 liters gas at 120 psi) 10% LEL Isopropyl Alcohol in Air, dispensing valve, gas bag, screwdriver, case and tubing	265.00
Methane LEL	81-F002RK-LV Cal kit, fixed, 34L cyl 50% LEL Methane in Air, reg with gauge & knob, cal cup, screwdriver, case & tubing	335.00
	81-F002RK Cal kit, fixed, 103L steel cyl 50% LEL Methane in Air, reg with gauge & knob, cal cup, screwdriver, case & tubing	390.00

# Diffusion Fixed Systems Calibration Kits

## Kits for M2A, S2, and Direct Connect, continued

**(Non Toxic and Non XP IR)**

Cal Cup  
Part # 81-1117RK



Part#	Description	Suggested Retail
No Cylinders	81-F001RKNG-LV Cal kit, fixed for 34L size cylinder (gas sold separately), reg with gauge & knob, cal cup, screwdriver, case & tubing	280.00
Oxygen	81-F301RK Cal kit, fixed, 103L steel cyl Zero Air, 103L steel cyl 100% N2, reg with gauge & knob, cal cup, case & tubing	535.00
	81-F301RK-LV Cal kit, fixed, 34L cyl Zero Air, 34L 100% N2, reg with gauge & knob, cal cup, case & tubing	380.00
	81-F302RK-LV Cal kit, fixed, 34L cyl 100% N2, reg with gauge & knob, cal cup, case & tubing	325.00
	81-F303RK-LV Cal kit, fixed, 34L cyl 2.0% Oxygen in N2, 34L cyl 100% N2, reg with gauge & knob, cal cup, case & tubing	370.00
Propane LEL	81-F006RK-LV Cal kit, fixed, 34L cyl 50% LEL Propane in Air, reg with gauge & knob, cal cup, screwdriver, case & tubing	335.00
	81-F006RK Cal kit, fixed, 103L steel cyl 50% LEL Propane in Air, reg with gauge & knob, cal cup, screwdriver, case & tubing	390.00

## Kits for M2A, S2, and Direct Connect (Toxic ESM-01 sensors)

Cal Cup  
Part # 81-1138RK



Part#	Description	Suggested Retail
Ammonia	81-F503RK Cal kit, fixed, 58AL cyl 25 ppm Ammonia in N2, reg with gauge & knob, cal cup for ESM-01-NH3 sensor, screwdriver, case & tubing	580.00
	81-F503RK-LV Cal kit, fixed, 34AL cyl 25 ppm Ammonia in N2, reg with gauge & knob, cal cup for ESM-01-NH3 sensor, screwdriver, case & tubing	600.00
Arsine	81-F811RK Cal kit, fixed, 58AL cyl 0.5 ppm Phosphine in N2, reg with gauge & knob, cal cup for ESM-01 toxic sensors (not for Cl2 or NH3), screwdriver, case & tubing	580.00
	81-F811RK-LV Cal kit, fixed, 34AL cyl 0.5 ppm Phosphine in N2, reg with gauge & knob, cal cup for ESM-01 toxic sensors (not for Cl2 or NH3), screwdriver, case & tubing	580.00
Chlorine	81-F603RK Cal kit, fixed, 58AL cyl 2 ppm Chlorine in N2, reg with gauge & knob, cal cup for ESM-01-Cl2 sensor, screwdriver, case & tubing	620.00
	81-F603RK-LV Cal kit, fixed, 34AL cyl 2 ppm Chlorine in N2, reg with gauge & knob, cal cup for ESM-01-Cl2 sensor, screwdriver, case & tubing	540.00
Hydrogen Cyanide	81-F813RK Cal kit, fixed, 58AL cyl 10 ppm Hydrogen Cyanide in N2, reg with gauge & knob, cal cup for ESM-01 toxic sensors (not for Cl2 or NH3), screwdriver, case & tubing	695.00
	81-F813RK-LV Cal kit, fixed, 34AL cyl 10 ppm Hydrogen Cyanide in N2, reg with gauge & knob, cal cup for ESM-01 toxic sensors (not for Cl2 or NH3), screwdriver, case & tubing	540.00
Phosphine	81-F811RK Cal kit, fixed, 58AL cyl 0.5 ppm Phosphine in N2, reg with gauge & knob, cal cup for ESM-01 toxic sensors (not for Cl2 or NH3), screwdriver, case & tubing	580.00
	81-F811RK-LV Cal kit, fixed, 34AL cyl 0.5 ppm Phosphine in N2, reg with gauge & knob, cal cup for ESM-01 toxic sensors (not for Cl2 or NH3), screwdriver, case & tubing	580.00
Sulfur Dioxide	81-F702RK Cal kit, fixed, 58AL cyl 5 ppm Sulfur Dioxide in N2, reg with gauge & knob, cal cup for ESM-01 toxic sensors (not for Cl2 or NH3), screwdriver, case & tubing	440.00
	81-F702RK-LV Cal kit, fixed, 34AL cyl 5 ppm Sulfur Dioxide in N2, reg with gauge & knob, cal cup for ESM-01 toxic sensors (not for Cl2 or NH3), screwdriver, case & tubing	460.00

# Diffusion Fixed Systems Calibration Kits

## Kits for M2A, S2, and Direct Connect (CT-7 sensors)

Cal Cup  
Part # 81-1117RK



Part#	Description	Suggested Retail	
Ammonia	81-F504RK	Cal kit, fixed, 58AL cyl Ammonia 50 ppm in N2, reg with gauge & knob, cal cup for CT7 sensor, screwdriver, case & tubing	550.00
	81-F504RK25-LV	Cal kit, fixed, 34AL cyl Ammonia 25 ppm in N2, reg with gauge & knob, cal cup for CT7 sensor, screwdriver, case & tubing	570.00
	81-F504RK25	Cal kit, fixed, 58AL cyl Ammonia 25 ppm in N2, reg with gauge & knob, cal cup for CT7 sensor, screwdriver, case & tubing	525.00
Chlorine	81-F605	Cal kit, fixed, 58AL cyl 2 ppm Chlorine in N2, reg with gauge & knob, cal cup, screwdriver, case & tubing	590.00
	81-F605-LV	Cal kit, fixed, 34AL cyl 2 ppm Chlorine in N2, reg with gauge & knob, cal cup, screwdriver, case & tubing	510.00
Hydrogen Cyanide	81-F822RK	Cal kit, fixed, 58AL cyl 10 ppm Hydrogen Cyanide in N2, reg with gauge & knob, cal cup for CT 7 sensor, screwdriver, case & tubing	510.00

## Kits for M2A, S2, and Direct Connect (IR XP sensors)

Cal Cup  
Part # 81-1103RK



Part#	Description	Suggested Retail
81-F020RK	Cal kit, fixed, 103L steel cyl 50% LEL Methane in Air, reg with gauge & knob, cal cup for IR 3/4" NPT sensor, screwdriver, case & tubing . . . . .	360.00
81-F020RK-LV	Cal kit, fixed, 34L cyl 50% LEL Methane in Air, reg with gauge & knob, cal cup for IR 3/4" NPT sensor, screwdriver, case & tubing . . . . .	305.00
81-F022RK-LV	Cal kit, fixed, 34L cyl 50% LEL Isobutane in Air, reg with gauge & knob, cal cup for IR 3/4" NPT sensor, screwdriver, case & tubing . . . . .	305.00
81-F023RK-LV	Cal kit, fixed, 34L cyl 15% LEL Hexane in Air, reg with gauge & knob, cal cup for IR 3/4" NPT sensor, screwdriver, case & tubing . . . . .	265.00
81-F027RKIR	Cal kit, fixed IR diffusion, 103L steel cyl 1,000 ppm Pentane in Air, reg with gauge & knob, cal cup for IR 3/4" NPT sensor, screwdriver, case & tubing . . . . .	360.00
81-F028RKIR-IPA	Cal kit, fixed, 17L cyl (8 liters of gas at 120 psig) 10% LEL Isopropyl Alcohol in Air, reg with gauge & knob, cal cup, screwdriver, case & tubing . . . . .	305.00
81-F031RKIB-LV	Cal kit, fixed, 34L cyl 20% LEL Isobutane in Air, reg with gauge & knob, cal cup for IR 3/4" NPT sensor, screwdriver, case & tubing . . . . .	295.00
81-F403RK-LV	Cal kit, fixed, 34L cyl 2.5% Carbon Dioxide in N2, 34L cyl 100% N2, reg with gauge & knob, cal cup for IR 3/4" NPT sensor, screwdriver, case & tubing . . . . .	360.00
81-F404RK	Cal kit, fixed, 103L steel cyl 2,000 ppm Carbon Dioxide in N2, 34L cyl 100% N2, reg with gauge & knob, cal cup for IR 3/4" NPT sensor, case & tubing . . . . .	510.00
81-F404RK-LV	Cal kit, fixed, 34L cyl 2,000 ppm Carbon Dioxide in N2, 34L cyl 100% N2, reg with gauge & knob, cal cup for IR 3/4" NPT sensor, case & tubing . . . . .	360.00
81-F406RK03-LV	Cal kit, fixed, 34L cyl 2.5% Carbon Dioxide in N2, 34L cyl 100% N2, reg with gauge & knob, cal cup for IR 3/4" NPT sensor, case & tubing . . . . .	360.00
81-F408RK-LV	Cal kit, fixed, 34L cyl 15% Carbon Dioxide in N2, 34L cyl 100% N2, reg with gauge & knob, cal cup for IR 3/4" NPT sensor, case & tubing . . . . .	360.00
81-F944RK-LV	Cal kit, fixed, 34L cyl 2.5% Carbon Dioxide in N2, 34L cyl Compressed Air, 34L cyl 100% N2, reg with gauge & knob, cal cup for IR 3/4" NPT sensor, cal cup standard, case & tubing . . . . .	395.00

# Diffusion Fixed Systems Calibration Kits

## Kits for GD-A80 / GD-A80V

Cal Cup  
Part # 81-1120RK



<u>Part#</u>	<u>Description</u>	
81-F008RK-LV	Cal kit, fixed, 34L cyl 50% LEL Methane in Air, reg with gauge & knob, cal cup for GD-A8 / GD-A8V, screwdriver, case & tubing . . . . .	355.00
81-F009RK-LV	Cal kit, fixed, 34L cyl 15% LEL Hexane in Air, reg with gauge & knob, cal cup for GD-A8 / GD-A8V, screwdriver, case & tubing . . . . .	355.00
81-F010RK	Cal kit, fixed, 103L steel cyl 400 ppm Hexane in Air, reg with gauge & knob, cal cup for GD-A8 / GD-A8V, screwdriver, case & tubing . . . . .	570.00
81-F010RK-LV	Cal kit, fixed, 34AL cyl 400 ppm Hexane in Air, humidifier tube, reg with gauge & knob, cal cup for GD-A8 / GD-A8V, screwdriver, case & tubing . . . . .	610.00
81-F014RK-LV	Cal kit, fixed, 34L cyl 50% LEL Isobutane in Air, reg with gauge & knob, cal cup for GD-A8 / GD-A8V, screwdriver, case & tubing . . . . .	355.00
81-F029RKIB-LV	Cal kit, fixed, 34L cyl 20% LEL Isobutane in Air, reg with gauge & knob, cal cup for GD-A8 / GD-A8V, screwdriver, case & tubing . . . . .	390.00
81-F032RK-LV	Cal kit, fixed, 34L cyl 500 ppm Isobutane in Air, humidifier tube assembly, reg with gauge & knob, cal cup for GD-A8 / GD-A8V, screwdriver, case & tubing . . . . .	510.00
81-F039RK-LV	Cal kit, fixed, 34L cyl 1000 ppm Hydrogen in Air, reg with gauge & knob, cal cup for GD-A8 / GD-A8V, screwdriver, case & tubing . . . . .	515.00

## Kits For GD-K88Ai

Cal Cup  
Part # 81-1114RK



<u>Part#</u>	<u>Description</u>	
81-F203RK-LV	Cal kit, fixed, 34L cyl 50 ppm Carbon Monoxide in N2, reg with gauge & knob, cal cup, screwdriver, case & tubing . . . . .	315.00
81-F501RK	Cal kit, fixed, 58AL cyl 25 ppm Ammonia in N2, reg with gauge & knob, cal cup for super toxic GD-K8A (rim feed), screwdriver, case & tubing . . . . .	535.00
81-F501RK-LV	Cal kit, fixed, 34AL cyl 25 ppm Ammonia in N2, reg with gauge & knob, cal cup for super toxic GD-K8A (rim feed), screwdriver, case & tubing . . . . .	550.00
81-F601RK	Cal kit, fixed, 58AL cyl 2 ppm Chlorine in N2, reg with gauge & knob, cal cup for super toxic GD-K8A (rim feed), screwdriver, case & tubing . . . . .	575.00
81-F601RK-LV	Cal kit, fixed, 34AL cyl 2 ppm Chlorine in N2, reg with gauge & knob, cal cup for super toxic GD-K8A (rim feed), screwdriver, case & tubing . . . . .	490.00
81-F604RK-LV	Cal kit, fixed, 34AL cyl 2 ppm Chlorine in N2, 34L 100% N2, reg with gauge & knob, cal cup for super toxic GD-K8A (rim feed), screwdriver, gas bag, case & tubing (includes special dilution instructions for O3 calibration) . . . . .	635.00
81-F701RK	Cal kit, fixed, 58AL cyl 5 ppm Sulfur Dioxide in N2, reg with gauge & knob, cal cup for super toxic GD-K8A (rim feed), screwdriver, case & tubing . . . . .	395.00
81-F804RK	Cal kit, fixed, 58AL cyl 10 ppm Nitrogen Dioxide in Air, reg with gauge & knob, cal cup for super toxic GD-K8A (rim feed), screwdriver, case & tubing . . . . .	535.00
81-F804RK-LV	Cal kit, fixed, 34AL cyl 10 ppm Nitrogen Dioxide in Air, reg with gauge & knob, cal cup for super toxic GD-K8A (rim feed), screwdriver, case & tubing . . . . .	530.00
81-F805RK-LV	Cal kit, fixed, 34AL cyl 0.5 ppm Phosphine in N2, reg with gauge & knob, cal cup, screwdriver, case & tubing . . . . .	530.00
81-F806RK	Cal kit, fixed, 58AL cyl 10 ppm Hydrogen Cyanide in N2, reg with gauge & knob, cal cup for super toxic GD-K8A (rim feed), screwdriver, case & tubing . . . . .	495.00
81-F809RK	Cal kit, fixed, 58AL cyl 5 ppm Silane in N2, reg with gauge & knob, cal cup for super toxic GD-K8A (rim feed), screwdriver, case & tubing . . . . .	500.00
81-F810RK-LV	Cal kit, fixed, 34AL cyl 25 ppm Nitric Oxide in N2, reg with gauge & knob, cal cup for super toxic GD-K8A (rim feed), screwdriver, case & tubing . . . . .	530.00

# Diffusion Fixed Systems Calibration Kits

## Kits for PS 2

Cal Cup  
Part # 81-1113RK



<u>Part#</u>	<u>Description</u>	<u>Suggested Retail</u>
81-PS225H2-LV	Cal kit, 34L cyl 10% LEL (4,000 ppm) Hydrogen in Air, 34L cyl 25% LEL Hydrogen in Air, reg with gauge & knob, cal cup for PS 2, screwdriver, case & tubing .....	350.00
81-PS2CH4	Cal kit, 34L cyl 10% LEL Methane in Air, 34L cyl 25% LEL Methane in Air, reg with gauge & knob, cal cup for PS 2, screwdriver, case & tubing .....	350.00
81-PS2H2	Cal kit, 103L steel cyl 10% LEL (4,000 ppm) Hydrogen in Air, 103L steel cyl 30% LEL Hydrogen in Air, reg with gauge & knob, cal cup for PS 2, screwdriver, case & tubing .....	500.00
81-PS2H2-LV	Cal kit, 34L cyl 10% LEL (4,000 ppm) Hydrogen in Air, 34L cyl 30% LEL Hydrogen in Air, reg with gauge & knob, cal cup for PS 2, screwdriver, case & tubing .....	350.00
81-PS2PR	Cal kit, 103L steel cyl 10% LEL Propane in air, 103L steel cyl 30% LEL Propane in air, reg with gauge & knob, cal cup for PS-2, screwdriver, case & tubing .....	500.00

## Kits for M Series

Cal Cup  
Part # 81-1109RK



<u>Part#</u>	<u>Description</u>	<u>Suggested Retail</u>
81-F102RK-LV	Cal kit, fixed, 34L cyl 25 ppm Hydrogen Sulfide in N2, reg with gauge & knob, GX-82/86 cal cup, screwdriver, case & tubing .....	390.00
81-F202RK-LV	Cal kit, fixed, 34L cyl 100 ppm Carbon Monoxide in N2, reg with gauge & knob, GX-82/86 cal cup, screwdriver, case & tubing .....	340.00



# Diffusion Fixed Systems Calibration Kits

## Kit for EC-600 , OX-600, & RI-600

Part#	Description	Suggested Retail	
72-1004	81-OX600-LV	Cal Kit, fixed for OX-600, N2 100% 34L, regulator, cal cup, case & tubing	325.00
72-1005 72-1006	81-OX600A-LV	Cal Kit, fixed for OX-600, N2 100% 34L, Zero Air 34L, regulator, cal cup, case & tubing	380.00
73-1202	81-EC600-LV	Cal Kit, fixed for EC-600, 34L cyl 50 ppm CO in N2, reg with gauge & knob, cal cup, case & tubing	325.00
73-1203 73-1204	81-EC600A-LV	Cal Kit, fixed for EC-600, 34L cyl 50 ppm CO in N2, 34L Zero Air, reg with gauge & knob, cal cup, case & tubing	380.00
73-1205-05K 73-1205-10K 73-1206-05K 73-2106-10K	81-RI60005K-LV	Cal kit, RI-600, CO2 5,000 ppm in N2, 34L cyl, N2 100%, 34L cyl, cal cup, regulator, case & tubing	365.00
73-1205-20K 73-1205-50K 73-1206-20K 73-1206-50K	81-RI60050K-LV	Cal kit, RI-600, CO2 2.5% in N2, 34L cyl, N2 100%, 34L cyl, cal cup, regulator, case & tubing	380.00

## Kit for OX-500

Part#	Description	Suggested Retail
81-OX500-LV	Cal Kit, fixed for OX-500, 100% N2, reg with gauge & knob, cal cup, case & tubing . . . . .	280.00

## Kits for T2A / T3A / AirLink 6900 / AirLink T3A

Target Gas	Description	Suggested Retail	
Chlorine	81-T1203-LV	Cal kit, T2A/T3A, 34AL cyl Cl2 2 ppm in N2, regulator, case, XP cal cup, and tubing	605.00
	81-T1220-LV	Cal kit, T2A/T3A, 34AL cyl Cl2 5 ppm in N2, regulator, case, XP cal cup, and tubing	605.00
Hydrogen Chloride	81-T0430-LV	Cal kit, T2A/T3A, 34AL cyl HCl 5 ppm in N2, regulator, case, XP cal cup, and tubing	685.00
Hydrogen Cyanide	81-T1410-LV	Cal kit, T2A/T3A, 34AL cyl HCN 10 ppm in N2, regulator, case, XP cal cup, and tubing	605.00
Hydrogen Sulfide	81-T0310-LV	Cal kit, T2A/T3A, 34AL cyl H2S 25 ppm in N2, regulator, case, XP cal cup, and tubing	515.00
Isobutane LEL	81-T6310-LV	Cal kit, T2A/T3A, 34L cyl isobutane in air, regulator, case, XP cal cup, and tubing	440.00
Methane LEL	81-T4010	Cal kit, T3A, 103L cyl Methane 50% LEL in air, regulator, case, XP cal cup, and tubing	495.00
	81-T4010-LV	Cal kit, T3A, 34L cyl Methane 50% LEL in air, regulator, case, XP cal cup, and tubing	440.00
NitricOxide	81-T0725-LV	Cal kit, T2A/T3A, 34AL cyl NO 25 ppm in N2, regulator, case, XP cal cup, and tubing	645.00
Phosphine	81-T1505-LV	Cal kit, T2A/T3A, 34AL cyl PH3 0.5 ppm in N2, regulator, case, XP cal cup, and tubing	645.00
Propane LEL	81-T5310	Cal kit, T3A, 103L cyl Propane 50% LEL in air, regulator, case, XP cal cup, and tubing	495.00
	81-T5310-LV	Cal kit, T3A, 34L cyl Propane 50% LEL in air, regulator, case, XP cal cup, and tubing	440.00

# Diffusion Fixed Systems Calibration Kits

## Kits for VOC Pro

Instrument #	Cal-Kit Part #	Cal-Kit Description	Price
66-6192-01 66-6192-02 66-6192-05 66-6193-10 66-6194-02 66-6194-05 66-6194-10 66-6195-01 66-6195-02 66-6195-05 66-6195-10	81-T9210	Cal kit, VOC Pro, 103L cyl Isobutylene 10 ppm in air, 103L cyl, Nitrogen 100%, regulator, case, cal cup, and tubing	625.00
	81-T9210-LV	Cal kit, VOC Pro, 34L cyl Isobutylene 10 ppm in air, 34L cyl, Nitrogen 100%, regulator, case, cal cup, and tubing	495.00
66-6193-20 66-6193-50	81-T9320	Cal kit, VOC Pro, 103L cyl Isobutylene 100 ppm in air, 103L cyl, Nitrogen 100%, regulator, case, cal cup, and tubing	625.00
66-6193-1K 66-6193-2K	81-T9320-LV	Cal kit, VOC Pro, 34L cyl Isobutylene 100 ppm in air, 34L cyl, Nitrogen 100%, regulator, case, cal cup, and tubing	460.00
66-6195-01 66-6195-02	81-T9510	Cal kit, VOC Pro, 58AL cyl Benzene 10 ppm in air, 103L cyl, Nitrogen 100%, regulator, case, cal cup, and tubing	625.00
66-6195-05	81-T9510-LV	Cal kit, VOC Pro, 34AL cyl Benzene 10 ppm in air, 103L cyl, Nitrogen 100%, regulator, case, cal cup, and tubing	600.00

## Kits for Air Alert / AirLink Alert

Target Gas	Description	Suggested Retail
Ammonia	81-T0699N-LV Cal kit, Air Alert/AirLink Alert, 34AL cyl NH3 50 ppm in N2, regulator, case, cal cup for non-XP sensors, and tubing	545.00
Chlorine	81-T1220N-LV Cal kit, Air Alert/AirLink Alert, 34AL cyl Cl2 5 ppm in N2, regulator, case, cal cup for non-XP sensors, and tubing	485.00
Hydrogen Chloride	81-T0410N-LV Cal kit, Air Alert/AirLink Alert, 34AL cyl HCl 5 ppm in N2, regulator, case, cal cup for non-XP sensors, and tubing	565.00
Hydrogen Cyanide	81-T1410N-LV Cal kit, Air Alert/AirLink Alert, 34AL cyl HCN 10 ppm in N2, regulator, case, cal cup for non-XP sensors, and tubing	485.00

## Kits For RI-215A

Part#	Description	Suggested Retail
81-F401RK-LV	Cal kit, fixed, RI-215A, 34L cyl 2.5% Carbon Dioxide in N2, reg with gauge & knob, case & tubing . . . . .	340.00
81-F402RK-LV	Cal kit, fixed, RI-215A, 34L cyl 5,000 ppm Carbon Dioxide in N2, reg with gauge & knob, case & tubing. . .	340.00
81-F405RK-LV	Cal kit, fixed, RI-215A, 34L cyl 2,000 ppm Carbon Dioxide in N2, 34L cyl 100% N2, reg with gauge & knob, screwdriver, case & tubing . . . . .	345.00

## Kits for SD-1

Cal Cup  
Part # 81-1148RK



Part#	Description	Suggested Retail
SD-1GH-H2	81-SD-1GH-H22K Cal Kit, fixed for SD-1GP, 2000 ppm H2/Air 34L, reg, cal cup, case & tubing	520.00
SD-1GP-CH4	81-SD-1GP-CH4LV Cal Kit, fixed for SD-1GP, 50% LEL CH4/Air 34L, reg, cal cup, case & tubing	400.00
SD-1GP-H2	81-SD-1GP-H2LV Cal Kit, fixed for SD-1GP, 50% LEL H2/Air 34L, reg, cal cup, case & tubing	400.00
SD-1RI-IC4H10	81-SD-1RI-IBLV Cal Kit, fixed for SD-1GP, 50% LEL isobutane/Air 34L, reg, cal cup, case & tubing	400.00
	81-SD1GPH2CO-LV Cal Kit, fixed for SD-1GP, 50% LEL H2 in Air 34L, for SD-1EC, 50 ppm CO in Air 34L, reg, 2 cal cups, case & tubing	835.00

# Sample Draw Fixed Systems Calibration Kits

## Kits For Sample Draw Heads

Target Gas	Description	Suggested Retail
Ammonia	81-F501RKS Cal kit, fixed, GD-K7D2/GD-K77D/GD-K71D/GD-K70D, 58AL cyl 25 ppm Ammonia in N2, demand flow reg, screwdriver, case & tubing	665.00
Carbon Dioxide ppm	81-F404RKS-DLV Cal kit, fixed, 34L cyl 2,000 ppm Carbon Dioxide in N2, 34L cyl 100% N2, demand flow reg, screwdriver, case & tubing	500.00
	81-F402RKS-LV Cal kit, fixed, RI-215D, 34L cyl 5,000 ppm Carbon Dioxide in N2, disp valve, gas bag, screwdriver, case & tubing	275.00
Chlorine	81-F601RKDS-LV5 Cal kit, fixed, 34AL cyl 5 ppm Chlorine in N2, demand flow reg, screwdriver, case & tubing	620.00
	81-F601RKS Cal kit, fixed, GD-K7D2/GD-K77D/GD-K71D/GD-K70D, 58AL cyl 2 ppm Chlorine in N2, demand flow reg, screwdriver, case & tubing	695.00
	81-F807RKS Cal kit, fixed, GD-K7D2/GD-K77D/GD-K71D/GD-K70D, 58AL cyl 5 ppm Hydrogen Chloride in N2, high flow reg with gauge & knob, gas bag, screwdriver, case & tubing	575.00
Hexane LEL	81-F001RKS-LV Cal kit, fixed, 34L cyl 15% LEL Hexane in Air, disp valve, gas bag, screwdriver, case & tubing	220.00
Hydrogen Cyanide	81-F806RKS Cal kit, fixed, GD-K7D2/GD-K77D/GD-K71D/GD-K70D, 58AL cyl 10 ppm Hydrogen Cyanide in N2, demand flow reg, screwdriver, case & tubing	625.00
Hydrogen Sulfide	81-F101RKS-01 Cal kit, fixed, 58AL cyl 5 ppm Hydrogen Sulfide in N2, 103L steel cyl Zero Air, reg with gauge & knob, gas bag, case & tubing	520.00
	81-F101RKS Cal kit, fixed, 58AL cyl 25 ppm Hydrogen Sulfide in N2, demand flow reg, screwdriver, case & tubing	460.00
Hydrogen LEL	81-F004RKS-LV Cal kit, fixed, 34L cyl 50% LEL Hydrogen in Air, disp valve, gas bag, screwdriver, case & tubing	220.00
	81-F005RKS-LV Cal kit, fixed, 34L cyl 50% LEL Hydrogen in Air, 34L cyl Zero Air, dispensing valve, gas bag, screwdriver, case & tubing	225.00
Hydrogen ppm	81-F017RKS-LV Cal kit, fixed, 34L cyl 1,000 ppm Hydrogen in Air, 34L cyl Zero Air, humidifier tube assembly, dispensing valve, gas bag, screwdriver, case & tubing	340.00
Isopropyl alcohol LEL	81-F018RKS-LV Cal kit, fixed, 17L cyl (8 liters gas at 120 psi) 10% LEL Isopropyl Alcohol in Air, dispensing valve, gas bag, screwdriver, case and tubing	265.00
Methane LEL	81-F002RKS-LV Cal kit, fixed, 34L cyl 50% LEL Methane in Air, dispensing valve, gas bag, screwdriver, case & tubing	220.00
Nitrogen Dioxide	81-F804RKS-LV Cal kit, fixed, 34AL cyl 2 ppm Nitrogen Dioxide in Air, high flow reg with gauge & knob, gas bag, screwdriver, case & tubing	535.00
Phosphine	81-F808RKS-LV Cal kit, fixed, GD-K7D2/GD-K77D/GD-K71D/GD-K70D, 34AL cyl 0.5 Phosphine in N2, 34L cyl 100% N2, two regs with gauge & knob, gas bag, screwdriver, case & tubing	715.00
Sulfur Dioxide	81-F701RK-DLV Cal kit, fixed, GD-K7D2/GD-K77D/GD-K71D/GD-K70D, 34AL cyl 5 ppm Sulfur Dioxide in N2, demand flow reg, screwdriver, case & tubing	490.00
	81-F701RKS Cal kit, fixed, GD-K7D2/GD-K77D/GD-K71D/GD-K70D, 58AL cyl 5 ppm Sulfur Dioxide in N2, demand flow reg, screwdriver, case & tubing	470.00

## Part # Prefixes

Prefix	Description	Page #
06-	Tubing	256
07-	O-ring, Gasket, Grommet, Foam Insert	256
08-	Adhesive, Epoxy, Cement	257
10-	Screws, Bolts, Threaded Studs	257
11-	Nuts, Washers, Retaining Rings	258
13-	Strap, Handle, Belt Clip, Straps, Thumb Screws, Captive Fasteners	258
14-	Bracket, Spacers, Standoffs, Insulators	259
15-	Spring Clips, Hose Clamps, Battery Contacts	259
17-	Tube Fittings, Hose Fittings	259
18-	J-Box, Cable Bushing, Conduit Fittings	260
20-	Carrying Cases, Soft Cases	261
21-	Cases, Housings, Mounting Plastic	261
22-	Rack Panels, Blank Panels	263
29-	Labels, Membrane Switches, Nameplates	263
30-	Pump, Pumps Spare Parts, Aspirator Bulbs, Fans	263
31-	Flowmeter, Pressure Sensor, Pressure Regulators	265
32-	Valves, Solenoid Valves	265
33-	Filters, Filter Membranes, Water Traps	266
35-	Flow Assembly, Flow Block, Manifolds, Dummy Plugs	268
41-	Pots	270
43-	Switches, Fuses	270
44-	Relays	270
45-	Battery Holders, Connectors, Sockets	270
46-	Knobs, Covers	270
47-	Extender Cables, Shrink Tubing, Wire, Cable	270
48-	Transformers, Inductors	271
49-	Batteries, Chargers	271
50-	Meters, Meter Dials	274
51-	Displays, Lights, LED	274

Prefix	Description	Page #
52-	Buzzers, Horns	275
54-	IC's, Diodes, Transistors, Amplifiers, Eproms	275
57-	PCB Assemblies, Voltage Regulators	275
60-	Filaments, Flame Arrestors	277
61-	Combustible Sensors, IR Detectors, Combustible Detector Heads	277
62-	LEL & MOS Sensors, Detector Tubes	280
65-	Detector Heads, Toxic Sensors, Oxygen Sensors, Paper Tapes	280
66-	AirLink Transmitters	286
71-	Manuals, Videos, CD's	293
72-	Instruments-Portables & Fixed Controllers	293
73-	Instruments, Fixed Heads	335
74-	AirLink Controllers	337
75-	Adders to Instruments	338
80-	Probe, Hoses	338
81-	Gases, Cal Kit, Regulator, Pumps, Cal Cups	341
82-	Data logging Packages, Software	367
83-	Instrument Software	368
90-	Field Service	368
91-	Labor	368
DEM-	IR Sensors	369
EC-	RM-580 Modules	369
EL-	Element Sensor	369
ES-	Sensor, electrochemical	369
ESM-	Sensor with memory	370
FP-	Paper Tape	372
GD-	Fixed Heads, Riken	373
GE-	Sensors	380
HW	Sensors, LEL	380
NC	Sensors, LEL	381

# Numerical Index

Part#	Description	Suggested Retail
04-0450RK	Rod,porous polyethylene,1/8 Dia,70micron,1 foot long .....	80.00
06-1020-01	Tube,8 mm x 11 mm, vinyl chloride,clear,for SDM-2012 connection to GX-2012 exhaust line .....	7.40
06-1198RK	Tubing,polyurethane 4 X 2.5MM,per foot,yellow,for RX-517 .....	1.80
06-1199RK	Tubing,polyurethane 4 X 2.5MM,per foot,clear .....	0.50
06-1200RK	Tubing,polyurethane,4 x 6 mm,clear,polyether based,per foot .....	0.80
06-1210RK-01A	Tubing,5 x 7 mm,green polyurethane,8 inch length w/fitting,for DM-2003 .....	30.00
06-1213RK	Tubing,5 x 8 mm,fluorine (viton) .....	12.80
06-1225RK	Tubing, polyurethane, 3/16" x 3/8", black, per foot .....	3.00
06-1225RKC	Tubing,polyurethane,3/16" x 3/8",clear .....	3.00
06-1242RK	Tubing,polypropylene,1/4 inch OD X 1/8 inch ID,per foot .....	2.00
06-1242RK-01	Tube,polypropylene,1/4 inch OD X 1/8 inch ID x 7.5 inch long .....	3.00
06-1248RK	Tubing, polyurethane, 3/16" ID x 5/16" OD, per foot.....	2.00
06-1248RK-03	Calibration kit tubing, polyurethane, 3/16" ID x 5/16" OD, 3 feet .....	4.50
06-1248RK-10	Tubing,polyurethane,3/16 x 5/16,10 ft length .....	9.00
06-1248RK-OPLS	Tubing assy,3 ft 06-1248RK to 1 in 06-1213RK for OPLS .....	9.00
06-1252RK	Tubing 1/8" ID x 1/4" OD, per foot .....	2.00
06-1254RK	Tubing,5/16" ID x 7/16" OD,polyurethane,polyether based,clear .....	3.00
06-1268RK	Tubing,teflon(FEP),4mm OD X 2mm ID .....	4.00
06-1272RK	Tubing,teflon,6X4MM,PTFE .....	4.00
06-1273RK	Tubing, teflon, semi-rigid, for EAGLE inlet super toxic gas versions, (standard type, order by the foot, 3 ft max) .....	5.60
06-1283RK	Tubing, teflon/polyurethane, 1/4" OD x 1/8" ID, 3', for toxic gas cal kits .....	16.00
07-0008RK	Battery hold down pad, Eagle .....	0.65
07-0009RK	ISB PC Board hold down pad, Eagle .....	1.20
07-0029RK	Sensor gasket for GasWatch 2 .....	2.00
07-0033RK	Gasket,CT-7 Sensor Housing .....	1.50
07-0034RK	Gasket,Seal,CT-7 Sensor Flow block .....	0.60
07-0039RK	Gasket,CT-7 Sensor Housing,Non-XP.....	1.40
07-0053RK	Gasket,sealing CT7/Oxygen sensor. ....	2.00
07-0056	Sensor gasket, for GasWatch 3 .....	2.00
07-0101RK	Gasket,.425 ID x .520 OD x.015 .....	2.00
07-0102RK	Gasket,125 IDx.297 ODx.02,Buna .....	0.40
07-0103RK	Gasket,.31x.50x.015,neoprene .....	0.75
07-0104RK	Gasket,Eagle Case,die cut .....	7.20
07-0106RK	Gasket, EAGLE LEL, special gases (donut for heavy hydrocarbons) .....	0.50
07-0107RK	Gasket,.75 x .58 x .093,neoprene .....	1.75
07-0122RK	Gasket,oxygen detector, explosion proof .....	3.00
07-0125RK	Gasket, ESM-01 Sensor Housing .....	2.60
07-0129RK	Gasket,Oxygen detector,non-explosion proof .....	1.60
07-0131RK	Gasket, battery pack seal for EAGLE 2 .....	4.60
07-0133RK	Gasket, buzzer for EAGLE 2 .....	6.00
07-0135RK	Gasket,.150 IDx.296 ODx.022,Buna .....	0.26
07-0201RK	Rubber cushion, for battery clips, EAGLE .....	2.40
07-0203RK	Boot, filter, for ES-1531-CO filter .....	9.60
07-0213RK	Rubber Pad,1/16"Thk,Battery Clip,Eagle 2 .....	1.20
07-0214RK	Rubber Pad,3/16"Thk,Battery Clip,Eagle 2 .....	1.50
07-0220	Rubber cap, .22" ID x .3" OD x .5" .....	1.00
07-0221	Gasket,instrument sensor port sealing,SDM-03 .....	7.00
07-0327	Protective rubber boot for SP-220.....	38.00
07-2002	Filter packing for SP-220, black .....	5.40
07-2005RK	Gasket, filter/screen retaining, RP-3R/RP-2009/RP-6/GX-2003/GX-2012/Gas Tracer .....	15.00
07-2016RK	Gasket,case,SC-01 .....	8.00
07-2017RK	Housing gasket for sensor chamber, RP-2009 .....	5.00
07-2029	Gasket, upper case for GX-8000/RX-8000/RX-8700 .....	5.50
07-2030	Gasket, bottom case, GX-8000/RX-8000/RX-8700.....	5.50
07-2031	Cover for charging jack,GX-8000/RX-8000 .....	9.20
07-2032	Sensor gasket,GX-8000 .....	5.50
07-2033	Gasket for sensor, fluorine contained rubber for GP-1000 & NC-1000.....	5.40
07-2035	Gasket, Eagle water trap (80-0211RK), soft polyethylene, 36 x 40 x t1 .....	18.00
07-6000RK	O-ring for inlet fitting of RP-3R/RP-2009/RP-6/GX-2003/GX-2012/Gas Tracer .....	1.00
07-6008RK	O-ring gasket for sensor case, GX-2009, 1 each .....	7.00

# Numerical Index

Part#	Description	Suggested Retail
07-6017RK	Gasket for GX-2009 case, one each	2.50
07-6018RK	Gasket for buzzer hole, GX-2009	6.00
07-6019-01	Sensor chamber gasket with adhesive film,for SDM-2009	9.40
07-6019RK	Sensor chamber gasket for sensor retainer, GX-2009, 1 each	7.00
07-6020RK	O-ring for EAGLE probe	0.90
07-6021RK	Gasket, sensor retainer, 1 each	2.00
07-6024RK	Battery pack gasket, GX-2012 / Gas Tracer	15.00
07-6025RK	Main case gasket, GX-2012 / Gas Tracer	6.00
07-6026RK	Sensor gasket, GX-2012 / Gas Tracer	6.00
07-6027RK	O-ring,battery compartment sealing, RP-2009	1.40
07-6029	O-ring,for pump holder,GX-8000/RX-8000	5.50
07-6030RK	O-ring,for Killark HKB junction box	9.00
07-6031	Gasket for battery compartment cover on 03 series	2.00
07-6032	Gasket between front and rear case of 03 series	2.40
07-6033	Sensor gasket for 03 or 04 series	2.00
07-6034	Rubber sheet around buzzer on main board of 03 series	1.40
07-6035	O-ring, rubber exhaust sealing for GX-6000	1.20
07-6036	Gasket for top cover, black rubber for GX-6000	9.60
07-6037	Sealing joint for pump exhaust port,black EPDM,GX-6000	8.00
07-6038	Gasket for cover, black rubber for GX-6000	12.00
07-6039	Rubber joint for pressure sensor, black for GX-6000	16.00
07-6040	Gasket for sensor chamber (sensor cover), black rubber for GX-6000	12.00
07-6041	Sensor gasket, fluorine rubber, for GX-6000	34.00
07-6042	Gasket for BUD-6000, EPDM black, for GX-6000	10.00
07-6043	Gasket for pump, black rubber for GX-6000	16.00
07-6044	O-ring,for Crouse Hinds EI21 jbox	26.00
07-6045	O-ring JASO 2026 EPDM, for SP-220	5.20
07-6046	O-ring,size 2-150,N-0674-70,for 18-0400RK j-box	8.00
07-6047	O-ring,for 17-1035 nipple,SDM-2012	6.40
07-6048	O-ring,for RX-517 H2S sensor	1.80
07-6049	Rubber nipple (out gasket),mates to GX-6000 exhaust fitting,SDM-6000	17.50
07-6051	O-ring, 2.62 mm diameter, battery compartment sealing for RP-3R/RP-3R PRO/RX-8500/RX-8700	2.60
07-6052	Gasket,for battery compartment,GasWatch 3	1.80
07-7008RK	O-ring,.176 ID x .070,buna-N	0.25
07-7010RK	O-ring,.239 ID X .070,BN	0.30
07-7011RK	O-Ring, .301 ID x .070 BN	0.50
07-7014RK	O-ring,.489 ID X .070,BN	0.50
07-7014RK-10	O-ring,.489 ID X .070,viton (for AL regulators)	1.00
07-7016RK-01	O-ring,.614 ID X .070, QUAD BN	1.40
07-7020RK	O-ring, .864 ID X .070,BN	0.50
07-7028RK	O-ring,1.364 ID X .070,BN,for O2 sensor blocks	0.50
07-7070RK-50	O-ring,7.00ID X.076,BN,50 durometer,Eagle 2 Main Case Gasket	8.40
07-7123RK	O-ring,1.174 ID X .103,N0674-70 nitrile (EAGLE oxy seal)	0.50
07-7206RK-50	O-ring,0.484 ID x .139,Buna,50 durometer	1.40
07-7210RK	O-ring, .609ID x .139W, Viton, 50 Durometer	3.00
07-7218RK	O-ring,0.734 ID x .139, buna	1.00
07-7225RK	O-ring,1.234 ID x .139, buna	0.50
07-7300RK	O-ring,0.315 ID x .039, BN	0.50
07-7301RK	O-ring, .078 X .030, Pogo-Pin, Eagle 2	1.40
07-7304RK	O-ring, .850ID x .21W, Viton, 50 Durometer	9.20
08-0077RK	E-6000 sealant (for replacing membrane switch)	8.00
10-0109RK	Screw,MS,4-40X 1/4 PH,philips,SS	0.25
10-1119	Screw, M3 x 12 mm, stainless steel, charger screw to SDM-3R	1.50
10-0119RK	Screw,MS,4-40X3/8 FH,philips	0.25
10-0196RK	Screw, 6-32 x 3/16,pan,slotted,SS	0.25
10-0200RK	Screw,6-32X5/16,PAN,philips,SS	0.25
10-0209RK	Screw,6-32 X 3/8,PAN,philips,SS	0.25
10-0271RK	Screw,MS,6-32X1.38,PAN,philips	1.00
10-0344	Screw, 8-32 x 5/8,flat head,phillips, SS	0.50
10-0377RK	Screw,MS,8-32 x 7/8,pan head phillips,SS	0.25
10-0454RK	Screw,10-32 X 5/8 PHMS,philips,SS	0.25

# Numerical Index

Part#	Description	Suggested Retail
10-0473RK	Screw, 10-32 x 7/8"long,Pan Head, phillips,SS	0.50
10-1085	Screw,M2 x 6 mm,SS,phillips,self tapping,	1.00
10-1086	Screw with flat & lock washers for GX-3R/GX-3R Pro belt clip, M2 x 4, SS, pan head, phillips	1.00
10-1086-50	Screw with flat & lock washers,M2 x 4,SS,pan head,phillips,pack of 50	25.00
10-1088	Screw, M2 x 6, for sensor retainer and battery retainer, for GasWatch 3	1.00
10-1092RK	Truss screw M2 x 5	0.25
10-1093RK	Screw M2 x 6	0.75
10-1095RK	Screw,M2 x 5,Tras head,phillips,SS	0.50
10-1098RK	Screw with split lock and flat washers for alligator or belt clip, GX-2009, 1 each	0.50
10-1100RK-02	Replacement screw sets, 2 screw types, 2 sets of 8, GX-2001	6.50
10-1104RK	Screw for case or sensor retainer, M2 x 10 mm, GX-2001 or GX-2009, 1 each	0.25
10-1108RK	Screw M2 x 16	1.00
10-1132	Screw M3 x 8, SUS304	2.00
11-0239	Washer,flat,#8,.50 OD x .172 ID x .08 THK, SS	1.00
11-0240RK	Washer,flat,#8,.375 OD x .172 ID x .031	0.25
11-0241RK	Washer,split lock,#8	0.25
11-0251RK	Washer,split lock, #10	0.25
11-0255RK	Washer,Flat,#10,.63 OD, SS	0.25
11-0311RK	Washer, Nylon, .50 OD x .167 ID x .093 Thk	0.75
11-4021RK	Nut,hex flange,M8 x 8 mm,13 mm hex,stainless steel	0.50
11-5090RK	Washer, flat,2.2 mm x 4.3 mm x 0.3 mm, for sensor adapter retaining, RP-2009	3.00
13-0002RK	Handle,Molded,w/ Inserts,Eagle 2	24.00
13-0100RK	Shoulder Strap with RKI logo, EAGLE / EAGLE 2	30.00
13-0105RK	Watchband replacement, for GasWatch 2/GasWatch 3	7.00
13-0112RK	Wrist strap	4.00
13-0117RK	Belt clip, GX-2009, includes 3 installation screws	16.00
13-0118RK	Belt clip, GX-2012 / Gas Tracer	24.00
13-0119	Alligator clip with mounting screws, GX-2009	30.00
13-0119-01	Optional ring attachment for 13-0119 with installation screws	9.00
13-0121	Alligator Clip for 03 series (requires 13-0204RK for installation)	25.00
13-0122	Belt Clip for 03 or 04 series	18.00
13-0123	Belt clip with installation screws for GX-6000	35.00
13-0124	Alligator clip with installation screws for GX-3R/GX-3R Pro	26.00
13-0125	Belt clip with installation screws for GX-3R/GX-3R Pro	28.00
13-0128	Alligator clip assembly, 04 Series	36.00
13-0201RK	Ring,split,.875" dia,stainless steel,EAGLE	0.75
13-0204RK	Spring bar with outer tube for 03/04 Series and wrist band of GasWatch 2/GasWatch 3	1.40
13-0212RK	Bracket,Clip,Snap-on,Gaswatch 2	18.00
13-0215RK	Alligator clip for SC-01 & OX-07	12.40
13-0216RK	Alligator clip mounting bracket for SC-01	3.50
13-0217RK	Belt clip for SC-01, includes 2 screws	9.00
13-0222	Bracket,Clip,Snap-on,Gaswatch 3	26.00
13-0550	Lanyard for GX-6000 benzene tube holder (80-0174)	15.00
13-0700	Knurled tip breaker for GX-6000 benzene tube holder (80-0174)	43.00
13-0701	Cap for silver tip breaker for GX-6000 benzene tube holder (80-0174)	24.00
13-1001	Latch assembly,SDM-6000	90.00
13-1061RK	Panel Screw,Captive,6-32 x 1/2,PH Phillips,SS	2.50
13-1070RK	Panel screw,captive,10-32 x 1.75,SS	14.00
13-1080RK	Thumbscrew,captive,1/4-20x1.56	6.00
13-1081RK	Thumbscrew, captive, 10-32 x 2.0, EAGLE 2	10.60
13-1116	Screw for battery compartment cover of 03 series	4.00
13-1117	Panel screw, M3 x 8 mm, 304 SS, cross recessed pan head,for GX-8000/RX-8500/RX-8700 battery cover	1.80
13-1521	Door latch,quick release,for Hoffman enclosures	46.00
13-6022-01	Din rail & end clamps kit to wall mount for one GX-6000 charger	10.00
13-6025-01	Din rail & end clamps kit to wall mount for up to four GX-6000 charger	14.00
14-0003RK	Insulator,ISB/Battery,Eagle	6.00
14-0003RK-01	Insulator,IS barrier/battery, w/foam pad	8.00
14-0004RK	Insulator,analog PC Board,Eagle	5.00
14-0010RK	Insulator,Main PC Board,Eagle 2	5.60
14-0050RK	Bracket,Handle,Forward,Eagle 2	10.00
14-0051RK	Bracket,Handle,Lower,Eagle 2	7.80

# Numerical Index

Part#	Description	Suggested Retail
14-0101RK	Bracket,Case assembly,Eagle .....	14.00
14-0102RK	Strap,O2 CELL, Eagle .....	10.00
14-0103RK	Strap, LEL Sensor,Eagle .....	2.00
14-0104RK	Bracket, TOXICS CELL,Eagle. ....	12.50
14-0138RK	Adapter Plate, Beacon 800 Power Supply .....	13.00
14-0139RK	Plate, Mounting, S2 Conversion Kit .....	16.00
14-0141RK	Strap for ESM-01 / IR sensors .....	8.40
14-0400	Bracket,wall mounting,for BC-2009 .....	8.80
14-0401	Wall mounting bracket for SDM-6000, 1 set (3 pieces) .....	76.00
14-0401-01	Bracket,wall mounting,without screw,for SDM-6000/SDM-3R.....	14.00
14-0401-02	Bracket,wall mounting,for SDM-6000/SDM-3R,set of 2 pcs with screws .....	28.00
14-0402	Connection brackets, set of 2, with screws, for connecting the SV-3 solenoid to SDM-6000 .....	54.00
14-0403	Connection brackets, set of 3, with screws, for connecting the SDM-6000 units together .....	76.00
14-0404	Bracket,wall mounting,for GD-1OX/GD-1DOX replacing GD-F44 .....	88.00
14-0405	Mounting bracket with threaded rod,for 570-SR .....	12.00
14-0406	Bracket,for pipe mounting U-bolt,GD-K88AI .....	70.00
14-0560RK	Standoff,hex,4-40 X 7/8,M/F,AL .....	3.40
14-0570RK-01	Standoff,hex,6-32X9/16,M/F,SS .....	1.50
14-0573RK-01	Standoff,hex,6-32X1,M/F,SS .....	4.00
14-0578RK	Standoff,hex,6-32x1 5/8,m/f,AL .....	1.40
14-1108RK	Standoff,round,for M2 display PCB .....	2.00
14-1109RK-02	Standoff assy w/jack & two washers, terminal PCB retaining,for Crouse Hinds jbox, M2A .....	8.80
1418-0505-00	Exhaust fitting,for Riken marine fixed system,SMC# KQ2VD08-01AS .....	30.00
15-0050RK	Battery contact,PC Board mounting,solder .....	0.35
15-0100RK	Spring,.337 OD x.820 OD x .65 long .....	8.00
15-0500	Battery contact short for 03 series .....	5.20
15-0501	Battery contact piece (-) for 03 series .....	2.60
15-0502	Battery contact piece (+) for 03 series .....	2.60
15-0503	Spring for positive battery contact on FP-31 .....	4.00
15-0504	Battery spring A for FP-31 .....	2.40
15-0505	Battery spring B for FP-31 .....	3.60
15-0522RK	Battery contact spring, battery cap, RP-2009 .....	7.60
15-0523RK	Battery charger spring contacts for GX-2009 charger, BC-2009 .....	2.20
15-0524	Compression spring,for stopper plate,GX-2012/Gas Tracer .....	1.00
16-0200RK	Flame arrestor ftg,1/2 NPT male x 1/4 NPT fem,XFA2 .....	160.00
17-0480RK	Exhaust fitting, EAGLE 2 .....	13.00
17-0500RK	Fitting,quick Connector/barb,3/16ID tubing .....	4.00
17-0505RK	Fitting,w/1/8 NPT male/1641 male .....	8.00
17-0515RK	Fitting,probe adptr,M8 x 1641 male .....	14.60
17-0517RK	Ftg,1/8 barb x 10-32 w/.032 dia. restriction .....	4.00
17-0519RK	Fitting,restrictor,for Eagle ST bypass .....	8.00
17-0520-01	Dilution fitting assembly for GD-70D4A,4H,4S,4X,approximately 1:1,extra sample .....	64.00
17-0520RK	Dilution fitting,internal,approx 1:1,extra sample .....	46.00
17-0522RK	Exhaust fitting, 1/8" hose barb .....	10.00
17-0524RK	Fitting,restrictor,w/.055 dia hole .....	6.00
17-0529RK	Fitting, 1/8" Barb to 1641 Qick Connect .....	14.00
17-0533-01	Dilution fitting with tubing,4:1,for GX-2012 high range H2S unit .....	60.00
17-0599RK	Rubber elbow,fluorine,2.5 mm ID x 4.5 mm ID,greys .....	4.00
17-0600RK	Rubber elbow,fluorine, grey .....	7.80
17-0601RK	Rubber elbow for internal filter, EAGLE & others .....	2.00
17-0602RK	Tee,PP,1/8 ID .....	0.80
17-0603RK	TEE, PP, 3/32 ID .....	0.80
17-0604RK	TEE, PP, 5/32 ID .....	0.80
17-0606RK	ELBOW,PP,BAR,5/32" ID .....	0.80
17-0610RK	HOSE BARB, PP, 10-32 X 3/32 ID .....	0.80
17-0611RK	TEE, PP, 1/4 inch ID, for use with 5/16 ID tubing .....	0.80
17-0630RK	Elbow,adj,10-32X.093 barb,brass .....	12.80
17-0633RK	Fitting,STRT,10-32X.093 barb,nickel plated brass .....	6.20
17-0635RK	Fitting,strt,10-32x.190 barb,Ni pl+B238 .....	6.60
17-0640RK	HOSE BARB,1/8FP X 3/32 ID HOSE .....	0.60
17-0645RK	Barb,1/8NPT male/3/16 ID hose,stainless steel .....	44.00



# Numerical Index

Part#	Description	Suggested Retail
17-1000RK	Inlet fitting (also needs o-ring 07-6000RK) for RP-3R/RP-6 .....	8.80
17-1001RK	Tapered rubber inlet nozzle, 4", RP-3R/RP-2009/RP-6/GX-2003/GX-2012/Gas Tracer .....	8.00
17-1015RK	Fitting,4x6 tube/GX-7 fem .....	16.60
17-1016RK	Hose fitting,4x6mm/GX-7 male .....	15.00
17-1021RK	Fitting,1/4 inch x 1/8 inch tube/GP-204 type male thread,w/O-ring (1410306230) .....	9.20
17-1022RK	Fitting,1/4 inch x 1/8 inch tube/GX-7 type female coupling .....	16.60
17-1025RK	Hose coupler, female, EAGLE, EAGLE 2 .....	20.00
17-1026RK	Hose coupler, male, EAGLE, EAGLE 2 .....	10.00
17-1031	Tapered nozzle, rubber, red, for GX-6000 inlet .....	9.00
17-1032	Hose ftg,quik disconnect,female,w/3/16 barb .....	35.60
17-1033	Hose ftg,quik disconnect,male,w/3/16 barb .....	14.00
17-1034	Nipple,without O-ring,for connecting to instrument inlet fitting,SDM-2012 .....	13.40
17-1034-01	Nipple,with O-ring,for connecting to instrument inlet fitting,SDM-2012 .....	18.80
17-1035	Nipple,without O-ring,for connecting to instrument exhaust fitting,SDM-2012 .....	15.80
17-1035-01	Nipple,with O-ring,for connecting to instrument exhaust fitting,SDM-2012 .....	27.00
17-2500RK	Fitting,1/8 PT male x 4x6 tube,RKK type .....	8.00
17-2500RK-01	Nut/ferrule/4x6 tube for GD-70D fitting .....	5.00
17-2501RK	Fitting,1/4 PT male x 4x6 tube,RKK type .....	4.00
17-2503RK-01	Nut/ferrule/tube support,1/4 x 5/32 inch tube,for RKK fitting .....	7.50
17-2503RK-02	Ferrule only,1/4 x 5/32 inch tube,for RKK fitting 17-2503RK .....	1.50
17-2504	Fitting,elbow,1/8 PT(Rc,BSPT) male x 4x6 tube,PP,RKK type .....	12.00
17-2550RK	Fitting,1/4 tube x 1/8 NPT male,brass .....	13.00
17-2593RK	Insert,flex tube,1/4x.17,Brass .....	2.20
17-4410RK	Fitting,reducer,3/16 to 1/8 Tubing .....	0.50
17-4430RK	Fitting,reducing tee,3/16 inch x 3/16 inch x 1/8 inch,polypropylene .....	2.00
17-4430RK-01	Bypass tee probe w/GX-7 quick disconnect,for GX-2003 / GX-2012/Gas Tracer purge sampling .....	22.00
17-4435-01	Bypass tee probe with 1641 male quick disconnect for Eagle purge sampling .....	16.00
17-4710	Sample port plug, barbed for SDM-6000 inlet ports .....	5.60
17-4807RK	Inlet fitting, plastic for Br2/F2/HCl/HF/CLO2/O3 EAGLES .....	4.00
17-4809RK	Ftg.,1/4 tube x 1/8 NPT male .....	3.60
17-5010RK	Hose Coupler, Male, Inlet, Calibration Station, Eagle 2 .....	24.00
18-0001RK	Reducer,3/4 NPT male x 1/2 NPT female,xplprf .....	6.00
18-0003RK	Conduit plug, 3/4",for Class I, Groups A,B,C,&D .....	8.60
18-0006	Reducer,3/4 NPT male x 1/2 NPT female,30 mm hex,explosion proof,ATEX type .....	38.00
18-0011	Reducer,3/4 NPT male x 1/2 NPT female,28 mm hex,explosion proof,ATEX type .....	31.00
18-0050RK	Cable bushing,for .13-.25 cable .....	14.00
18-0051RK	Cable bushing,for .25 - .38 cable .....	20.00
18-0058RK	Cable bushing,for .31 - .56 diameter cable,steel,for 3/4" conduit hub .....	17.00
18-0061RK	Cable bushing,for .125 - .375 diameter cable,steel,for 3/4" conduit hub .....	30.00
18-0107RK	Conduit hub,3/4",w/gnd Screw .....	22.00
18-0123RK	Conduit nut,locking,3/4 .....	1.00
18-0200RK	Cable gland,for 7 - 12 mm OD cable,Ni plated brass,3/4 NPT .....	80.00
18-0350RK	Duct mounting adapter with 1/2" NPT thread .....	16.00
18-0351RK	Duct mounting adapter with 3/4" NPT thread .....	16.00
18-0400-20	Cover,for XIHSCFC3 grey (18-0400RK) .....	32.80
18-0400-21	Cover with O-ring,for XIHSCFC3 grey (18-0400RK) .....	42.00
18-0400RK	J-box,GRP B, ADA#XIHSCFC3,grey .....	95.00
18-0400RK-01	Junction box, with spacers (Aluminum) .....	100.00
18-0400RK-02	Junction box, with spacers (Aluminum) and terminal strip .....	100.00
18-0405RK-01	J-box w/o lid, machined for xmtrs .....	220.00
18-0406RK	J-box lid,standard blank,for Killark HKB .....	200.00
18-0416RK-11	Junction box w/cover,2 port,stainless steel .....	200.00
18-0417RK-11	Junction box with cover,4 port,stainless steel .....	220.00
18-0431-01-01	Junction Box,3 port,Alum,Cooper C Hinds,EIH 21 Series,tapped for M2/M2A, with foam pad .....	340.00
20-0110-02	Case for GX-6000 plus hose & probe, charger, AC adapter, and manual .....	110.00
20-0110-03	Case with foam for GX-3R, AC adapter, cal cup, bump cylinder, and manual .....	90.00
20-0110RK-01	Case for 1-3 cylinders,17/34L/34AL, with foam .....	100.00
20-0111RK-01	Case for 3 cylinders with foam, 58AL/103L .....	125.00
20-0112-04	Case for GX-6000 plus hose & probe, charger, AC adapter, one cylinder cal kit, and manual .....	165.00
20-0112RK-01	Padded carrying case for GX-3R, GX-3R Pro, or GX-2009 aspirator kit .....	115.00
20-0112RK-02	Padded carrying case for GX-3R, GX-3R Pro, or GX-2009, aspirator, and cal kit. ....	180.00

# Numerical Index

Part#	Description	Suggested Retail
20-0112RK-03	Case with foam, for GX-2003 with accessories & cal kit with one cylinder .....	115.00
20-0114-03	Case for GX-6000 plus hose & probe, charger, AC adapter, two cylinder cal kit, and manual.....	240.00
20-0114RK-01	Case with foam, for GX-2003 with accessories & cal kit with 2 cylinders .....	200.00
20-0114RK-02	Case with foam for cal kit with 4 cylinders .....	250.00
20-0115RK-01	Padded carrying case for one GX-3R, GX-3R Pro, GX-2009 or 03 series instrument and charger only .....	80.00
20-0116	Case with foam, generic for small portable instruments including 03/04 Series/GX-3R/GX-3R Pro/GX-2009 .....	18.00
20-0121RK	Case for 2 Cylinders, 58AL/103L.....	62.00
20-0281RK	Carrying case, leather for GX-8000/RX-8000 .....	220.00
20-0315RK	Rubber boot for GX-2001 .....	10.00
20-0322RK	Rubber boot for SC-01 & OX-07 .....	20.00
20-0324RK	Protective cover for GX-2009, vinyl .....	36.00
20-0325	Rubber boot for 03 or 04 series .....	14.00
20-0326	Rubber protective boot for GX-6000, black .....	36.00
20-0327	Carrying case with shoulder strap for NC-1000 .....	98.00
20-0328	Protective rubber boot for SP-220 .....	62.00
20-0329	Rubber protective boot for GX-6000, red .....	40.00
20-0330	Pouch set for 3 scrubbers,FI-8000 .....	90.00
20-0332	Rubber boot for GX-3R .....	18.00
20-0335	Rubber boot for GX-3R Pro.....	18.00
20-0640RK	Carrying case, padded for EAGLE/EAGLE 2 & RX-415/RI-415, with space for instruments and accessories .....	360.00
20-0642RK	Carrying case, padded for EAGLE / EAGLE 2 instrument with space for calibration kit and accessories ...	520.00
20-0643-01	Black case w/pluck foam, UK821, plucked for AirLink 9100, AirLink 6900, and Air Alert demo .....	485.00
21-0254	Sun-shade cover with bracket for pipe mounting for SD-1 .....	260.00
21-0255	Weather proof cover,box type,GD-A80 .....	220.00
21-0256-SS	Weatherproof Cover,round type,304 stainless steel,GD-A8/A8V .....	395.00
21-0401	Housing, polycarbonate with clear cover for up to 4 MTL5500 series barriers .....	400.00
21-0402	Housing, polyester with clear cover for up to 10 MTL5500 series barriers .....	1,440.00
21-0500RK-01	Case,Machined for Beacon 410A,Beacon 800 .....	560.00
21-0506RK-01	Housing,machined for Beacon 200 .....	480.00
21-0506RK-02	Housing,machined for Beacon 200 rig monitor w/strobe/horn. ....	500.00
21-0539	Housing,weatherproof,304 stainless steel,for GD-K88Ai .....	680.00
21-0601RK	EAGLE Top case, RF sprayed .....	72.00
21-0601RK-02	Top case,EAGLE,for loud buzzer, case only .....	80.00
21-0610RK	Top case assembly, standard EAGLE, complete .....	675.00
21-0610RK-01	Top Case,Eagle,no PC Board or Connectors,CSA label .....	140.00
21-0610RK-05	Top Case,Eagle,no PC board/connector,CSA/UL label .....	140.00
21-0611RK	Bottom case assembly,EAGLE, standard 4 gas (no sensors) .....	1,100.00
21-0611RK-16	Bottom case, EAGLE without flow system/fittings/bracket, standard (no sensors).....	190.00
21-0611RK-16IR	Bottom case, EAGLE,without flow system/fittings/bracket,IR (no sensors) .....	200.00
21-0611RK-NSB	Bottom case assy,Eagle,no sensors/analog PCB .....	660.00
21-0640RK	Assy,Top Case,Eagle 2.....	400.00
21-0640RK-01	Assy,Top Case,Replacement,w/Handle/Labels/Strap Rings,Eagle 2.....	180.00
21-0641RK-04	Assy,Bottom Case,Replacement,w/o Flow System and Inlet Fitting,Eagle 2 .....	220.00
21-0642RK	Battery enclosure for EAGLE 2, (batteries not included) .....	140.00
21-1062RK	Battery cover for the GX-2003 .....	18.00
21-1075	Top Cass assembly,for OX/EC/GM-600 remote case .....	26.50
21-1076	Upper case,with window and button label,OX-600 .....	50.00
21-1077	Lower case,OX-600 .....	11.00
21-1078	Sensor cover,OX-600 .....	44.40
21-1079	Power supply case,EC-600,OX-600,RI-600 .....	3.60
21-1140	LCD Module for GP-1000 & NC-1000 .....	50.00
21-1799	Front cover with display window label for SC-8000 .....	53.00
21-1800	Main case assembly,GX-8000.....	240.00
21-1804	Front cover w/display window label,GX-8000 .....	68.00
21-1807RK	Charcoal filter knob,GX-8000 .....	3.80
21-1808RK	Charcoal filter case (lid) for GX-8000/RX-8000 .....	3.80
21-1809	Filter case with nipple for tobacco filter on GX/RX-8000/RX-8700 .....	3.80
21-1810	Front cover w/display window label,RX-8000 .....	66.00
21-1811	Tube for oxygen sensor,RX-8000 .....	8.95
21-1812	Sensor cover,GX-8000 .....	12.50
21-1823RK	Sensor filter retainer, GX-2001 .....	24.00

# Numerical Index

<b>Part#</b>	<b>Description</b>	<b>Suggested Retail</b>
21-1824RK	Sensor retainer (outer section), GX-2001 .....	38.00
21-1828RK	Bottom case,plastic,RP-6 .....	4.50
21-1829RK	Battery cap for RP-6 pump .....	6.00
21-1832RK	Filter holder, clear plastic, RP-6 .....	7.00
21-1833RK	Filter holder, clear plastic, RP-3R/ RP-2009/GX-2003/GX-2012/Gas Tracer/GX-6000 .....	12.80
21-1834RK	Sensor cap for GasWatch 2.....	2.80
21-1840RK	Bottom case assy,orange,GW-2H .....	24.00
21-1855RK	Battery contact assembly for battery cover, -01 series .....	9.00
21-1857RK	Filter holder (for CO and LEL sensors), GX-2003 .....	11.60
21-1858RK	Sensor cap, with flow chamber, GX-2003 .....	96.00
21-1859RK	Top cover assembly, GX-2003 .....	48.00
21-1861RK	Rear case assembly with battery springs, cover knob, and gasket, GX-2003 .....	100.00
21-1875RK	Battery cover for SC-01 & OX-07 .....	26.00
21-1876RK	Sensor retainer with rubber guard and o-rings for SC-01 & OX-07 .....	70.00
21-1877RK	Upper case assembly w/switch overlay,SC-01 .....	55.00
21-1878RK	Bottom case assembly w/label for battery orientation,SC-01 .....	40.00
21-1880RK	Front case, GX-2009 .....	57.00
21-1881RK	Case, rear, GX-2009.....	94.00
21-1881RK-ATEX	SEE APPLICATIONS,Case,rear,with ATEX label,GX-2009 .....	94.00
21-1881RK-CSA	Case,rear,with CSA label,GX-2009 .....	94.00
21-1882RK	Sensor retainer, GX-2009 (inner piece) .....	28.00
21-1883RK	Sensor case with PCB assembly, GX-2009 .....	70.00
21-1884RK	Sensor cover, GX-2009 (outside piece) .....	10.00
21-1885RK	Sensor cap assembly, GX-2009 (8 parts) .....	68.00
21-1887RK	Top case,BC-2009 .....	6.00
21-1888	Lock lever,plastic,for locking battery pack to case,GX-2012/Gas Tracer .....	1.00
21-1889RK	Main case assembly, GX-2012 .....	154.00
21-1890RK	Top cover assembly, GX-2012/Gas Tracer .....	76.00
21-1891RK	Main case assembly, Gas Tracer .....	154.00
21-1892RK	Sensor cap assembly, GX-2012/Gas Tracer .....	76.00
21-1893	Buzzer cover,ESC9448N black,GX-2012/Gas Tracer .....	4.00
21-1894	Stopper plate,for lock lever,304 SS,GX-2012/Gas Tracer .....	2.00
21-1895RK	Battery cap for RP-2009 pump .....	10.60
21-1896RK	Main case assembly, RP-2009.....	51.00
21-1897RK	Top case assembly, RP-2009 .....	18.00
21-1898RK	Sensor adapter assembly for sensor chamber, RP-2009 .....	10.60
21-1908	Battery compartment cover for 03 series .....	5.40
21-1909	Battery contact holder for 03 series .....	3.00
21-1910	Rear case for GP-03 and OX-03 .....	16.00
21-1911	Rear case for CO-03 and HS-03 .....	16.00
21-1913	Front case assembly for 03 series .....	20.60
21-1915RK	Window plate,RX-415.....	15.60
21-1919	Window,for RX-517 case.....	15.60
21-1926	LCD protection film for instrument display for GX-6000, GP-1000, & NC-1000 .....	5.40
21-1926-01	LCD protection film for instrument display, pack of 5 for GX-6000, GP-1000, & NC-1000 .....	30.00
21-1927	Mounting plate for instrument removal, OX-600 (optional for alkaline version only) .....	10.00
21-1928	Case assy,front,GX-6000 .....	160.00
21-1929	Protection case, L1225L, black, for GX-6000 .....	2.00
21-1931	Sensor flow chamber (sensor cover) assembly for GX-6000.....	65.00
21-1933	Body case assembly for GX-6000 .....	1,300.00
21-1935	Panel cover for side fittings of SDM-6000 .....	7.45
21-1936	Filter case, IP252BR1, for NC-1000 .....	18.00
21-1937	Top cover assembly for NC-1000 .....	178.00
21-1940	Battery lid for FP-31, GP-1000, & NC-1000.....	5.40
21-1941	Batter lid locking plate for FP-31, GP-1000,& NC-1000 .....	2.00
21-1942	Top case assembly for FP-31 .....	68.00
21-1944	Chamber assembly,SDM-6000 .....	266.00
21-1945	Case,body,SDM-6000 .....	178.00
21-1946	Case,back,SDM-6000 .....	45.00
21-1947	Front cover with labels,GD-70D.....	27.00
21-1948	Button,instrument cover release,SDM-03 .....	2.80

# Numerical Index

Part#	Description	Suggested Retail
21-1949	Side cover,gray,GD-70D .....	9.00
21-1950	LCD protection film for GX-3R/GX-3R Pro .....	6.00
21-1950-05	LCD protection film for GX-3R/GX-3R Pro, pack of 5 .....	30.00
21-1955	Sensor retainer, for GasWatch 3 .....	2.80
21-1956	Battery retainer, for GasWatch 3 .....	2.80
21-1957	Battery cap assembly,RP-3R/RP-3R Pro .....	20.60
21-1958	Spacer,clear,for RP-3R filter chamber.....	1.80
21-1959	Side fittings cover,SDM-3R.....	5.40
21-1960	Bottom cover (sensor cap),GX-3R Pro .....	9.80
21-1961	Sensor retainer,GX-3R Pro .....	4.40
21-1962	Bottom cover (sensor cap),GX-3R .....	10.00
21-1963	Sensor retainer,GX-3R.....	3.60
21-1965	Triple chamber,for RP-3R .....	21.00
21-1966	Instrument retaining arm,red,SDM-3R .....	5.40
21-1967	Rear case assembly with Li-Ion battery for GX-3R.....	210.00
21-1968	Front case with overlay for GX-3R .....	48.00
21-1971	Sensor case assembly with sensor PCB,GX-3R .....	115.00
21-1972	Sensor holder for OX-600 .....	5.00
21-3015RK	Mounting Panel,power supply,Beacon 200 .....	16.40
22-0250RK	Blank panel plate, RM-580 .....	15.00
22-0252RK	Blank plate panel for RM-5000 .....	18.00
23-0306	Cart stand for AirLink 6940 .....	750.00
24-5000RK	Flexible printed circuit (FPC), GX-2009 .....	18.00
25-0032RK	Cap,CT-7 sensor,non expl prf .....	15.40
29-0024RK	Label,service/cal date,generic .....	1.40
29-0035RK	Label,overlay,display,Eagle .....	8.95
29-0041RK-01	Label,Buzzer/LED,CSA/NRTL,Eagle .....	10.00
29-0041RK-02	Label,Buzzer/LED,UL/CSA,Eagle.....	10.00
29-0048RK	Label,serial no.,Eagle .....	1.50
29-0049RK	Label,Battery arrangement,Eagle .....	0.80
29-0050RK	Label,CH4 elim. Switch,Eagle.....	8.40
29-0052RK	Label,battery charger,Eagle .....	1.20
29-0084RK	Label,overlay,Beacon 800 .....	32.00
29-0089RK	Label,flow block,H2S/CO,Eagle .....	1.00
29-0145RK	Label,door overlay,Beacon 200 .....	18.00
29-0176RK-02	Label,serial number,Beacon 200 rig monitor. ....	1.75
29-0232RK	Label,display,M2 Transmitter .....	2.00
29-0338RK	Label, switches, EAGLE 2 .....	10.00
29-0339RK	Label, display overlay, EAGLE 2 .....	12.00
29-0469RK	Label, Beacon 110 , Quick Reference for Menus .....	2.00
29-0470RK	Label, Beacon 200 , Quick Reference for Menus .....	1.20
29-0597	Label,OX-600 name,front case,OX-600 .....	2.00
29-0645-01	Label set,case sensor and model(GX-2009),CH4/O2/H2S/CO,Type A,GX-2009 .....	1.50
29-0645RK	Label,case sensor,LEL/O2/H2S/CO,Type A,GX-2009 .....	1.60
29-0648RK	Label, control panel, RP-2009 .....	7.50
29-0652	Label, front for GP-03 .....	6.00
29-0653	Label, front for OX-03 .....	6.00
29-0654	Label, front for CO-03 .....	6.00
29-0655	Label, front for HS-03 .....	6.00
29-0661	Label,Gas Alarm .....	3.20
29-0692	Label,case sensor,LEL/Oxy/NO2/CO,GX-2009 .....	8.00
29-0699	Sensor case label for GX-3R Pro, Toxic 2 / LEL / O2 / Toxic .....	1.00
29-0700	Sensor case label for GX-3R Pro, CO/H2S / LEL / O2 / Toxic .....	1.00
29-0714	Label,case sensor,CO/H2S LEL O2,GX-3R Pro .....	1.00
29-0715	Label,case sensor,CO LEL O2,GX-3R .....	1.00
29-5000RK	Label, Membrane Switch, EAGLE .....	16.00
29-5500	Tag set, 2.50 x 1.00 tag size with mounting holes, 316 SS, tag quantity and characters defined by P.O. ...	17.00
29-6100	Water immersion sensing seal, adhesive backed for 03 series, GX-6000, and SP-220.....	10.00
30-0001RK	Pump with no cable for FP-85, FP-30, and FP-40 .....	200.00
30-0002RK	Pump,w/cable and connector,CP201A-1A,SM-2009/SDM-2009 .....	260.00
30-0015RK	Pump replacement for RP-6 or GX-2003 .....	135.00

# Numerical Index

Part#	Description	Suggested Retail
30-0017RK	Pump assembly for RI-415 .....	380.00
30-0019RK	Pump assembly for RX-415 .....	240.00
30-0020RK	Pump with cable and connector,RX-515/RX-516/RX-517,CP-201A .....	360.00
30-0022RK	Pump replacement for GX-2012/Gas Tracer/RP-3R/RP-2009/GX-6000/FP-31/NC-1000, with cable and connector .....	140.00
30-0023RK	Pump with cable and connector, RP-11, for GX-8000/RX-8000/SC-8000 .....	350.00
30-0024	Pump,RP-60,for GD-D58.....	240.00
30-0034	Pump,GS-6EA .....	1,020.00
30-0039	Pump,MV-20B-D AC100V EMP,for SM-6D,100 VAC .....	440.00
30-0311RK	Pump diaphragm only, for RP-6 or GX-2003 .....	26.00
30-0401RK	Aspirator bulb for P-200 Series, with tubing .....	24.00
30-0402	Aspirator bulb w/tubes,with rubber high performance check valve on exhaust side .....	10.00
30-0522RK	Inlet fitting, standard, metal, quick disconnect, female, EAGLE/1641/GX-4000A .....	38.00
30-0522RK-01	Retrofit kit,Eagle super toxic to std inlet ftg .....	50.00
30-0600RK-01	Pump, internal, with connector, EAGLE/EAGLE 2/RP-GX-94 .....	195.00
30-0608RK	Pump rebuild kit,for 30-0600RK-01 (pump version 7.51.82) (current standard) .....	50.00
30-0610RK	Replacement pump for 35-3010, 24VAC .....	200.00
30-0611RK	Rebuild kit,head/diaphragm/gasket,for 30-0610RK .....	38.00
30-0903RK	Aspirator,Air-Vac AVR112H,1/8 NPT .....	76.00
30-0951-CSA	Sample drawing adapter,aspirator,CSA LEL(w/o sensor) .....	500.00
30-0951-CSA-01	Flow through adapter,CSA LEL,chamber & brass ftgs only .....	160.00
30-0951-CSA-01S	Flow through adapter,CSA LEL,chamber & stainless steel ftgs only .....	200.00
30-0951-CSA-02	Flow through adapter,CSA LEL,chamber w/flowmeter & tube fittings .....	300.00
30-0951-CSA-03	Flow through adapter,LEL,chamber w/flowmeter w/valve & tube fittings .....	340.00
30-0951-IR-03	Flow through adapter,IR,chamber,without tube fittings .....	160.00
30-0951-OC-03	Flow through adapter,Oxy or CO,chamber w/flowmeter w/valve & tube fittings .....	340.00
30-0951-ST	Sample drawing adapter,aspirator for super toxic sensors (sensor sold separately) .....	920.00
30-0951-ST-01	Flow through adapter for super toxic sensors (Series 7), chamber and fittings only .....	520.00
30-0951RK	Sample drawing adapter with aspirator, LEL (no sensor) .....	500.00
30-0951RK-01	Flow through adapter, LEL, chamber and fittings only.....	160.00
30-0951RK-01SS	Flow through adapter,LEL,chamber & stainless steel ftgs only .....	200.00
30-0951RK-02	Flow through adapter, LEL, chamber with flow meter and fittings only .....	300.00
30-0951RK-03	Flow through adapter, LEL, chamber with flow meter, valve and tube fittings .....	340.00
30-0951RK-03SS	Flow through adapter,LEL,chamber w/flowmeter w/valve & SS tube fittings.....	580.00
30-0951RK-H2S	Sample drawing adapter, air aspirated, for use with NPT style sensor, for Hydrogen Sulfide (H2S) (sensor sold separately) .....	560.00
30-0951RK-HS-01	Flow through adapter, H2S, chamber and fittings only .....	200.00
30-0951RK-HS-02	Flow through adapter, H2S, chamber, flow meter and fittings only .....	520.00
30-0951RK-HS-03	Flow through adapter,H2S,chamber w/flowmeter w/valve & tube fittings.....	560.00
30-0951RK-IR	Sample drawing adapter, air aspirated for IR (sensor sold separately) .....	500.00
30-0951RK-IR-01	Flow through adapter, IR sensors, chamber and fittings only .....	160.00
30-0951RK-IR-02	Flow through adapter, IR sensors, chamber with flow meter and fittings only .....	300.00
30-0951RK-IR-03	Flow through adapter,IR,chamber w/flowmeter w/valve & tube fittings .....	340.00
30-0951RK-IR01S	Flow through adapter,IR,chamber and SS fittings only .....	200.00
30-0951RK-O2/CO	Sample drawing adapter, air aspirated for Oxygen or Carbon Monoxide (sensor sold separately) .....	500.00
30-0951RK-OC-01	Flow through adapter, O2/CO, chamber and fittings only .....	160.00
30-0951RK-OC-02	Flow through adapter, O2/CO, chamber, flow meter and fittings only .....	300.00
30-0952RK	Sample cup with regulator & flowmeter, toxic sensor (H2S/CO) .....	320.00
30-0954-201-CSA	Aspirator Adapter,Plate Mounted,w/flow switch for one CSA LEL sens in 18-0431RK/18-0432RK J-Box .....	3,300.00
30-0954-209-01	Aspirator adapter plate,30-0954RK-209 with dryer .....	4,600.00
30-0954-210	Aspirator Adptr,Plate Mounted,w/flow switch for oxy/tox & 2 IR sens in 18-0431RK/18-0432RK .....	4,000.00
30-0954-263-01	Aspirator Adapter,Plate Mtd,w/flow switch for Beacon 110 & CO det,w/data logger & horn/strobe .....	5,400.00
30-0954-265-01	Aspirator Adapter,Plate Mounted,w/flow switch/Beacon 110/IR CH4 LEL in 18-0416RK j-box .....	5,200.00
30-0954-2XX	Aspirator panel for three M2A transmitters, specify gas combination, with flow switch .....	3,800.00
30-0954-605-02	Aspirator adapter in NEMA 4X stainless steel housing with 65-2649RK-CH4 .....	9,800.00
30-0954RK-104	Aspirator Adapter,Plate Mtd,w/out flow switch for two oxy/tox sens in 18-0431RK/18-0432RK J-Box ...	3,300.00
30-0954RK-201	Aspirator panel for one LEL M2A transmitter, with flow switch .....	3,300.00
30-0954RK-202	Aspirator panel for two LEL M2A transmitters, with flow switch .....	3,600.00
30-0954RK-203	Aspirator panel for one oxygen or toxic M2A transmitter, with flow switch .....	3,300.00
30-0954RK-204	Aspirator panel for two oxygen or toxic M2A transmitters, with flow switch .....	3,600.00
30-0954RK-205	Aspirator panel for one IR M2A transmitter, with flow switch .....	3,300.00

# Numerical Index

Part#	Description	Suggested Retail
30-0954RK-206	Aspirator panel for two IR M2A transmitters, with flow switch .....	3,600.00
30-0954RK-207	Aspirator panel for one LEL and one oxygen or toxic M2A transmitter, with flow switch .....	3,600.00
30-0954RK-208	Aspirator panel for one LEL and one IR M2A transmitters, with flow switch .....	3,600.00
30-0954RK-209	Aspirator panel for one oxygen or toxic and one IR M2A transmitters, with flow switch .....	3,600.00
30-0954RK-209D	Aspirator panel for one H2S and one IR M2A transmitters, with dilution fitting for H2S and flow switch	4,000.00
30-0954RK-221	Aspirator panel for one LEL Direct Connect or S2 transmitter, with flow switch.....	3,300.00
30-0954RK-222	Aspirator panel for two LEL Direct Connect or S2 transmitters, with flow switch .....	3,600.00
30-0954RK-223	Aspirator panel for one oxygen or toxic Direct Connect or S2 transmitter, with flow switch .....	3,300.00
30-0954RK-229	Aspirator panel for one oxygen or toxic and one IR Direct Connect or S2 transmitters, with flow switch	3,600.00
30-0954RK-261	Aspirator panel for one LEL Direct Connect or S2 transmitter, with flow switch.....	3,300.00
30-0954RK-263	Aspirator panel for one oxygen or toxic Direct Connect or S2 transmitter, with flow switch .....	3,300.00
30-0954RK-264	Aspirator panel for two oxygen or toxic Direct Connect or S2 transmitters, with flow switch .....	3,600.00
30-0954RK-265	Aspirator panel for one IR Direct Connect or S2 transmitters, with flow switch .....	3,300.00
30-0954RK-266	Aspirator panel for two IR Direct Connect or S2 transmitters, with flow switch .....	3,600.00
30-0954RK-267	Aspirator panel for one LEL and one oxygen or toxic Direct Connect or S2 transmitter, with flow switch	3,600.00
30-0954RK-268	Aspirator panel for one LEL and one IR Direct Connect or S2 transmitters, with flow switch.....	3,600.00
30-0954RK-269	Aspirator panel for one oxygen or toxic and one IR Direct Connect or S2 transmitters, with flow switch	3,600.00
30-0954RK-281	Aspirator panel for one T2A, T3A, or VOC Pro with flow switch .....	3,300.00
30-0954RK-282	Aspirator panel for two T2A, T3A, or VOC Pro heads with flow switch.....	3,600.00
30-0954RK-282ST	Aspirator panel for two T2A, T3A, or VOC Pro heads, super toxic type, with flow switch .....	3,600.00
30-0954RK-283	Aspirator panel for one LEL M2A and one T2A, T3A, or VOC Pro with flow switch .....	3,300.00
30-0954RK-284	Aspirator panel for one oxygen or toxic M2A and one T2A, T3A, or VOC Pro heads with flow switch ...	3,600.00
30-0954RK-285	Aspirator panel for one M2A with 3/4 NPT IR detector, and one T2A, T3A, or VOC Pro head .....	3,300.00
30-0954RK-405	Aspirator Adapter,in NEMA 4X enclosure w/ flow switch,one IR,in 18-0431RK/18-0432RK J-box .....	6,600.00
30-0954RK-463	Aspirator Adapter,in NEMA 4X enclosure w/ flow switch,one OXY/Toxic,in 18-0416RK J-box .....	6,600.00
30-0960	Sample drawing adapter for T2A/T3A/VOC Pro/AirLink products with aspirator and brass fittings .....	500.00
30-0960-01	Flow through adapter for T2A/T3A/VOC Pro/AirLink products with brass fittings only .....	160.00
30-0960-02	Flow through adapter for T2A/T3A/VOC Pro/AirLink products with flow meter and brass fittings .....	300.00
30-0960-03	Flow through adapter for T2A/T3A/VOC Pro/AirLink products with flow meter, valve, and brass fittings...	340.00
30-0965	Aspirator adapter, sample draw for SD-1, Acetylene (C2H2) solvent gases / corrosive gases .....	850.00
30-1002	Pump head,for MV-11R .....	180.00
30-1004RK	Pump,MV-11R,115VAC, GD-D8/D8V .....	180.00
30-1005RK	Diaphragm assembly,for MV-11R .....	40.00
30-1006RK	Pump,MV-11R,100VAC,GD-D8/D8V .....	440.00
30-1011RK	Valve/diaphragm assy,complete, for MV-10R, GD-K8DG/GD-K11D .....	38.00
30-1016RK	Replacement pump for 35-3001/GD-K7D2/GD-K77D/1017, 24 VDC,with connectors & cable, RP-D24A-1	150.00
30-1017RK	Pump,MV-11R-2,24 VAC,GD-D8DC .....	480.00
30-1018RK	Pump replacement for GD-K71D, 24 VAC, RP-D24S .....	120.00
30-1020RK	Pump, RP-70 for GD-70D .....	55.00
30-1022RK	Diaphragm/flapper valve/pump head w/chopping plate,for RP-D24A-1 pump (30-1015RK) .....	55.00
30-1040RK	Pump,for FP-250A/FP-260, MV-600G-A .....	260.00
30-1053RK	Vibration motor, GX-2003/GX-2012/Gas Tracer.....	32.00
30-1054RK	Vibration motor for the GX-2009 and GX-6000.....	32.00
30-1055	Vibration motor for 03 series .....	20.00
31-0003RK	Flowmeter .2 - 2 SCFH, Dwyer .....	45.00
31-0019RK-01	Flowmeter, .05-.5 SCFH, with valve, SS fittings,with label,for Digester H2S dilution sample .....	114.00
31-0020RK	Flowmeter,0-1 lpm,teflon,P-715,w/4x6 mm tube ftgs .....	300.00
31-0020RK-01	Flowmeter,0-1 lpm,teflon,P-715,with 6 mm OD tube push fittings .....	300.00
31-0022RK	Flowmeter,0.2 - 1.0 SCFH,w/valve,SS ftgs .....	110.00
31-0023RK	Flowmeter, 0.2 - 2.0 SCFH, stainless steel ftngs, with valve .....	110.00
31-0023RK-01	Flowmeter,0.2 - 2.0 SCFH,w/valve,w/male 1641 quick disconnect,for Eagle flow measurements .....	120.00
31-0023RK-02	Flowmeter, 0.2 - 2.0 SCFH, with valve and hose barb fitting for GX-2012 / GX-6000 flow measurement ...	140.00
31-0023RK-03	Flowmeter,0.2 - 2.0 SCFH,w/valve,w/ label, for Digester H2S dilution air .....	130.00
31-0025RK	Flowmeter,1-10 SCFH,1/8 FNPT stainless ftgs,w/o valve .....	80.00
31-0030RK	Flowmeter, 0.6 - 5 SCFH, stainless steel ftgs,1/8 NPT,without valve.....	80.00
31-0030RK-01	Flowmeter,.6 - 5 SCFH,SS ftgs,1/8 NPT,without valve,with label,for Digester sensors flow.....	100.00
31-0032	Flowmeter,0-.43 SCFH air,65mm scale,w/valve,SS ftgs,glass float .....	580.00
31-1001RK-01	Flow meter column (glass and ball) only,for 31-1001RK/GD-K7D2/GD-K71D/GD-K77D .....	80.00
31-1002RK	Flowmeter assembly for FP-301.....	280.00
31-1011-01	Flow sensor for GD-70D .....	120.00
31-1013	Flow sensor,FL-5,for GD-D58 .....	280.00

# Numerical Index

Part#	Description	Suggested Retail
31-2045	Pressure transducer,9.81 kPa,Copal P-2000-101G-15-BM.....	36.00
31-2050ARK	Terminal,QC FOR 31-2050RK .....	1.00
31-2050RK	Sensor, pressure differential for EAGLE, 0 - 10 mm H2O .....	32.00
31-2055RK	Sensor,pressure,0-100mm H2O .....	48.00
31-2056RK	Sensor,pressure,0-100mm H2O,(Normally closed.) .....	60.00
31-2062RK	Flow switch,1.589 SCFH,NO,acrylic,1/8 NPT fem .....	154.00
31-3000RK	Regulator,pressure,w/gauge,300 psi in/5-50 psi out .....	90.00
31-3002-01	Regulator, 1/4 NPT ports,150 psi max input, 0-0.5 psi output with INCREASE label, Digester .....	940.00
31-3100	Pressure gauge,replacement for demand flow regulator,0-1000 PSI scale .....	30.00
32-0021RK	Valve,spool,3-way,1/8 NPT fem,moment push button,brass,nickle plated .....	66.00
32-0021RK-01	Push button,captivated,valve stem 3/16 DIA,black,brass housing,nickel plated .....	8.00
32-0031RK	Valve,mechanical air,3-way,2-Position,1/4 NPT 3-port,lever actuated,aluminum body .....	88.00
32-0031RK-01	Valve with hose barbs and sample tube for two cylinders to connect to a single calibration station gas port .....	126.00
32-0209RK	Solenoid Valve, 3-Way, multi-purpose,1/8 NPT Female, 24 VDC, stainless steel .....	148.00
32-0209RK-01	Solenoid Valve,3-Way,Multi-Purpose,1/8NPT Female,24VDC, SS, with label, for Digester .....	148.00
32-0210RK	Solenoid Valve, 2-Way, Normally Closed, 1/8 NPT Female, 24 VDC, stainless steel .....	150.00
32-0217	Solenoid Valve,3-Way,304 stainless steel,Multi-Purpose,12VDC,0.5 Watt .....	140.00
32-0219	Solenoid valve with cable and connector,11-15-3-SV-12F88,SDM-6000.....	263.00
32-0220	Solenoid valve assembly,with PCB/cable/gasket,for SDM-3R .....	150.00
32-0220-DUMMY	Dummy solenoid valve with gasket,for SDM-3R .....	10.00
32-0221-02	Solenoid Valve for Digester inlet, EPDM and polypropylene with label .....	590.00
32-0221-03	Solenoid Valve for Digester inlet, EPDM and polypropylene,retrofit kit to replace SS valve .....	620.00
32-0300	Flapper valve,for GS-6EA pump.....	22.00
32-0501RK	Check Valve, 1/8 Barb x 1/8 Barb, PP body, EPDM O-ring, .07 PSI cracking pressure .....	24.00
32-0502RK	Check Valve,3/16 Barb x 3/16 Barb,PP Body,EPDM O-Ring,.11 PSI Cracking Pressure,SS Spring .....	16.00
32-0504RK	Check Valve,5/16 Barb x 5/16 Barb,PP Body,EPDM O-Ring,.11PSI/Cracking PressureSS/spring .....	17.00
33-0151RK	Hydrophobic filter, .2 um, 1/8 NPTM, ACRO-50.....	38.00
33-0153	Filter disks, teflon for SP-220, pack of 5 .....	10.00
33-0156RK-01	Replacement hydrophobic filter element for probe, (pack of 5), EAGLE / EAGLE 2 probe .....	14.00
33-0156RK-100	Replacement hydrophobic filter element for probe (pack of 100), EAGLE / EAGLE 2 probe .....	200.00
33-0157RK	Waterproof cover for sensors, with adhesive back, for diffusion EAGLE .....	1.50
33-0159-100	Filter disks,teflon,RP-6/RP-2009GX-2003/GX-2012/Gas Tracer,100 pack (10 ten packs) .....	180.00
33-0159RK	Teflon filter disk, 10 pieces, RP-3R/RP-2009/RP-6/GX-2003/GX-2012/Gas Tracer/GX-6000/NC-1000 .....	24.00
33-0160RK	Dust filter, internal, plastic, GX-4000 / RX-415 .....	2.40
33-0163RK	Filter,Balston DFU9933-05-DQ (light blue) .....	56.00
33-0164RK	Filter, oil mist removal, Balston, 9900-05-BK, EAGLE / EAGLE 2 / marine .....	46.00
33-0165RK	Filter, Millipore, PTFE, Disc type, hydrophobic, EAGLE, Fixed Systems .....	27.00
33-0165RK-01	Filter, Millipore, PTFE, disc type, hydrophobic with tubing, EAGLE, Fixed Systems .....	27.00
33-0166RK	Sensor cover, disc, 10 pack, GasWatch 2 / -01 series.....	18.00
33-0167RK	Filter, particulate, CF-8369 .....	25.00
33-0169RK	Hydrophobic membrane,adhesive backed,for control panel face,RP-2009 .....	5.40
33-0171RK	Filter replacement, AcroPak 300 with PTFE membrane, 0.2 um .....	180.00
33-0171RK-01	Filter, installed internally, AcroPak 300 with PTFE membrane,0.2 um .....	180.00
33-0171RK-02	Filter,AcroPak 300,added to Eagle,field installed .....	200.00
33-0172-100	Sensor Cover, water proof, sheet for 4 sensors, GX-2009, pack of 100 sheets .....	300.00
33-0172RK	Sensor Cover, water proof, sheet for 4 sensors, GX-2009, 1 each .....	6.00
33-0173RK	Filter, internal, hydrophobic, EAGLE 2 .....	10.00
33-0174RK	Hydrophobic membrane,adhesive backed,for top of main case,RP-2009 .....	5.40
33-0175	Hydrophobic filter, PF020 for 03 series/RP-2009/GasWatch 3 .....	1.80
33-0176	Teflon sensor membrane disk for HCN and SO2 sensor filters for GX-6000 sensor face, adhesive backed ...	2.50
33-0177	Filter for OX-600 Remote Case .....	2.00
33-0178	Dust filter for SP-220, set of 5 pieces .....	18.00
33-0179	Hydrophobic filter for main case of GP-1000 & NC-1000 .....	3.60
33-0180	Hydrophobic filter disk, for CF-8385, GX-8000/RX-8000, pack of 10 .....	12.00
33-0183	Hydrophobic dust filter with integral gasket for sensors, GX-3R .....	15.00
33-0183-10	Hydrophobic dust filter with integral gasket for sensors, GX-3R, pack of 10 .....	135.00
33-0184	Hydrophobic dust filter with integral gasket for sensors, GX-3R Pro .....	16.00
33-0184-10	Hydrophobic dust filter with integral gasket for sensors, GX-3R Pro, pack of 10.....	145.00
33-0220	Solenoid for SDM-3R .....	150.00
33-0401RK	Water Trap assembly with J - tube .....	600.00

# Numerical Index

Part#	Description	Suggested Retail
33-0402RK	Water trap w/20 uM filter/threaded bowl,1/4 NPT, with 1/4-20 mounting holes on top of head	160.00
33-0402RK-01	Water trap w/threaded bowl,1/4 tube ftgs	188.00
33-0402RK-02	Water trap w/threaded bowl,1/4 tube SS ftgs	220.00
33-0403RK	Filter element,20 uM, for 33-0402RK	26.00
33-0413-12	Filter,Water Trap,5 micron element,polycarb bowl,fem 1/4"NPT,mod for internal Digester repl	100.00
33-0413RK	Filter, Water Trap, 5 micron element, Polycarbonate Bowl, Female 1/4"NPT	95.00
33-0413RK-02	Filter element, 5 micron,for parker filter 33-0413RK/33-0414RK	40.00
33-0413RK-10	Filter,Water Trap,5 micron element,polycarb bowl,female 1/4"NPT,mod for aspirator plate	90.00
33-0413RK-11	Filter and 1/4" tube fitting assembly, water trap, 5 micron element, polycarb bowl	200.00
33-0420RK-01	Filter element,replacement,for 33-0420RK	38.00
33-0421RK	Air filter assembly (ventilation),for Model RKK-2003K	76.00
33-0550RK	Buzzer Cover w/adh back,.5 dia,EAGLE	1.30
33-0553	Buzzer protection cover for GX-3R	6.00
33-0554	Buzzer protection cover for GX-3R Pro	6.80
33-0560-01	Electrode Stack for 10.6 (50 ppm sensor) & 11.7 eV lamps used in EAGLE 2, GX-6000, or VOC Pro (1 electrode)	100.00
33-0562	Electrode Stack for 10.6 eV lamp, 0-2,000/6,000 ppm for EAGLE 2, GX-6000, or VOC Pro, (1 electrode)	64.00
33-0563	Electrode Stack for 10.0 eV lamp, 0-100 ppm (50 ppm benzene) for GX-6000 or VOC Pro (1 electrode)	130.00
33-0601RK	Glass Bowl Only,1641 Moisture trap	10.00
33-1031RK	Cotton balls, filters for probe, bag of 25	4.00
33-1036RK	Filter body, plastic, for 80-0150RK probe	6.00
33-1041RK	Rubber cup probe tip, for soil surveys	25.00
33-1050RK-01	Probe body,exhaust half,w/1/8 NPT female port	12.00
33-1050RK-02	Probe body,inlet half,w/1/8 NPT female port	12.00
33-1112RK	Wire mesh disk filter, RP-3R/RP-2009/RP-6/GX-2003/GX-2012/Gas Tracer/GX-6000, 10 pack	15.00
33-1113RK	Metal mesh filter for buzzer hole, GX-2009, 1 each	6.00
33-1200RK	Particle filter replacement, 5 microns, for new style EAGLE 2 probes (not for use with PID sensors)	3.00
33-2001RK-01	Humidifier, 6" tube assembly for cal kits with 3/16" tubing on ends	120.00
33-2002RK-01	Humidifier, 24" for cal kits, with 3/16" tubing on ends, for EAGLE	320.00
33-2002RK-02	Humidifier, 24" tube assembly for cal kits with 3/16" ID tubing on ends	320.00
33-2100RK	Dryer, gas,w/12 inch long tube, polypropylene, Perma Pure MD-110-12P	520.00
33-2125	Dehumidifier filter,FI-8000	95.00
33-2125-01	Dehumidifier filter with tubing for 11.7 eV PID sensor, GX-6000	100.00
33-3000-01	Splash guard, gas in port (shower head) with 1/4" OD push-in tube fitting	55.00
33-3000RK	Splash guard,gas in port (shower head),w/8mm OD tube ftg	45.00
33-3001	Float type sampling head with hydrophobic filter (GSN-8)	75.00
33-3002	Splash guard, SPG-1 for SD-1GP/GH/RI	52.00
33-3003	Splash guard, SPG-1OX for SD-1OX	52.00
33-3004	Splash guard, SPG-1EC for SD-1EC	52.00
33-3013	Filter element, particle, polypropylene/polyethylene for GX-6000 probe, (not for Cl2)	2.00
33-3013-10	Filter element, particle, polypropylene/polyethylene for GX-6000 probe, (not for Cl2) pack of 10	20.00
33-3014RK	Tobacco filter, GX-7/GX-8000/RX-8000/FP-31, pack of 10	5.00
33-3015RK	Filter, pleated paper type for 80-0182RK and 80-0211RK water trap	11.00
33-3016RK	Hydrophobic filter, replacement, GX-4000A	8.00
33-3050RK	MC filter w/Cartridge w/flow monitor	160.00
33-3050RK-SS	MC filter w/flow monitor,stainless steel	220.00
33-3051RK	Dust filter insert, pleated paper, MC filter with flow monitor	30.00
33-3051RK-SS	Dust fltr insert,SS,for MC fltr w/flow monitor	100.00
33-3052RK	Glass bowl only,for MC filter w/o flow monitor	40.00
33-3053RK	Glass bowl only,for MC filter with flow monitor	40.00
33-3054RK	Dust filter insert, pleated paper,MC filter without flow monitor	44.00
33-3054RK-SS	Dust fltr insert,SS,for MC fltr w/out flow monitor	54.00
33-3055RK	Filter,Heavy duty hydrophobic	42.00
33-3056RK	Filter with flow monitor, RI-415/NP-237H, quick connect/strt on ends	180.00
33-3057RK	Filter with flow monitor for RX-415, quick connect fittings on both ends	180.00
33-3058RK	Filter,waterproof,for filter tube,RX-515/516/517	8.00
33-3059RK	Filter tube with flow monitor, for RX-515/RX-516/RX-517	180.00
33-3060RK	Filter tube with cotton filter for GX-8000/RX-8000 (for GF-256 probe)	18.00
33-3061	Filter tube,with cotton,CF-8385,GX/RX-8000	70.00
33-3062	Filter cartridge for mist separator	72.00
33-6010RK-01	CO2 Scrubber with fitting and tubing for standard EAGLE / EAGLE 2	82.00



# Numerical Index

Part#	Description	Suggested Retail
33-6010RK-02	Scrubber,CO2, w/tubing,for super toxic inlet fitting EAGLE .....	76.00
33-6010RK-04	Scrubber,CO2,with 3/16 inch ID x 5/16 inch OD tubing stub .....	76.00
33-6011RK	H2S Scrubber, for SO2 EAGLE.....	60.00
33-6012RK	Scrubber,H2S,for fixed systems .....	70.00
33-6013RK	Scrubber,NO,w/Purafil & charcoal,w/hose barbs for 3/32 tubing .....	80.00
33-6014RK	Scrubber,NO,w/Purafil,w/hose barbs for 3/32 ID tubing .....	80.00
33-6014RK-01	Scrubber,NO,w/Purafil,w/hose barbs for 5/32 ID tubing .....	80.00
33-6015RK	CO2 scrubber, CF-283 for GX-3R Pro/GX-6000/RX-515/RI-85 .....	56.00
33-6016RK	Filter, H2S scrubber, for NH3/SO2 Eagle versions .....	110.00
33-6017	H2S removal cartridge filter CF-8390 .....	46.00
33-6018	CO2 scrubber,FI-8000 .....	88.00
33-6020RK	Filter, G-92, Zeolite, for ASH3 sensors, fixed systems / EAGLE .....	38.00
33-6088	Charcoal filter,CF-8350 .....	110.00
33-6090RK	Charcoal filter replacement, GX-4000A / EAGLE 2 .....	8.50
33-6090RK-02	End Cap,Charcoal Filter,Eagle 2 (for GX-4000 filter) .....	12.00
33-6091RK	Charcoal filter replacement, EAGLE .....	12.00
33-6091RK-02	END Cap,Charcoal filter,Eagle .....	12.50
33-6092	Charcoal filter with tubing stubs and plugs, CF-8501, for GX-6000/EAGLE 2, CO2 & PID combinations ...	42.00
33-6095RK	Charcoal filter for fixed systems, CF-188 .....	64.00
33-6095RK-02	CF-188 charcoal filter,w/1641 fittings .....	88.00
33-6097RK	Charcoal filter,CF-8376 .....	46.00
33-6098	Charcoal Filter, DIA-BNCC,for 35-3001 .....	30.00
33-6098-01	Charcoal Filter,DIA-BNCC,with tubing stub,for GX-6000 .....	35.00
33-6099	Charcoal filter cartridge for SP-220, CF-8392 .....	27.00
33-7001RK	Charcoal,bag,replacement.....	10.00
33-7009	Silicone scrubber disk, 5 pack for GX-2009 .....	13.00
33-7016RK	Filter,silicone removal,w/33-7007RK filter material .....	24.00
33-7100	Charcoal filter disk for CO sensor, CF-6280 for Gaswatch 3 and 04 Series (pack of 5) .....	14.00
33-7101RK	Charcoal Filter for CO sensor (GX-82A/-86A), fixed system CO sensors .....	6.00
33-7102-100	Filter for CO Sensor,100 pack (20 five packs),charcoal disk CF-1821-2,GX-2009 .....	150.00
33-7102RK	Filter, charcoal, for CO sensor, pack of 5, GX-2009/GX-2012/Gas Tracer/GX-6000 .....	10.00
33-7106RK	Charcoal filter disk for CO sensor, strip of 5, for CO-03, GasWatch 2, GasWatch 3 .....	12.00
33-7107RK	Filter set, 5 pack (1 charcoal & 4 H2S filters per pack), GX-2001 .....	36.00
33-7114RK	Filter disk, H2S scrubber, strip of 5, for LEL sensor port, GP-01/GX-2001/GX-2009/GX-2012/ Gas Tracer/GX-6000 .....	10.00
33-7114RK-100	Filter disk, H2S scrubber, 100 pack, for LEL sensor port .....	180.00
33-7116RK-01	Silicone removal filter for 1/2" NPT LEL sensor .....	66.00
33-7117RK-01	Filter set for 1 instrument, 1 charcoal disk, 1 H2S scrubber, and 1 waterproof sensor cover for GX-2009 ...	14.00
33-7117RK-05	Filter set for 5 instruments, 5 charcoal disk, 5 H2S scrubbers, & 5 waterproof sensor covers for GX-2009	60.00
33-7120RK	Filter, H2S scrubber disk, for ESM-01DH-HCN sensors .....	5.00
33-7121RK	Filter, H2S scrubber disk for ESM-01DH-SO2 sensor .....	5.00
33-7122RK	Filter, charcoal disk, CF031, for GX-8000, pack of 10 .....	44.00
33-7125	Filter set, 5 charcoal and H2S filters, 10 hydrophobic and metal screen filters for GX-6000 .....	48.00
33-7126	H2S scrubber disk for ESS-03DH-HCN (Also needs #33-0176 to install) .....	2.00
33-7127	Silicone removal cartridge filter CF-8391 .....	46.00
33-7128	Benzene pre-filter tube, GX-6000, box of 10 tubes .....	116.00
33-7128-05	Benzene pre-filter tubes, GX-6000, 5 boxes with 10 tubes per box .....	550.00
33-7129	Scrubber,for alcohol/IPA,CF-8364 .....	44.00
33-7130	Scrubber disk filter for CO/H2S sensor (pack of 5) for GX-3R & GX-3R Pro .....	26.00
33-7131	Scrubber disk filter for combustible sensor, CF-6309 (5pcs/pack) .....	26.00
33-7132	Scrubber disk filter, charcoal, for CO & H2 comp CO sensor, CF-A1CP (pack of 5), (not used on CO/H2S combo sensor) for GX-3R & GX-3R Pro .....	26.00
33-7132-01	Interference gas scrubber disk,CF-A1CP,charcoal,for CO & H2 comp CO sensor,GX-3R/GX-3R Pro .....	5.20
33-7133	Humidity filter disk for H2S or PH3 sensor, CF-A13i (pack of 5) for GX-3R/GX-3R Pro/04 Series .....	35.00
33-7133-01	Humidity filter disk for H2S or PH3 sensor, CF-A13i for GX-3R/GX-3R Pro/04 Series .....	7.60
33-7134	H2S scrubber disk for SO2 and NO2 sensors, GX-3R Pro, pack of 5 .....	35.00
33-7134-01	H2S scrubber disk for SO2 and NO2 sensors, GX-3R Pro, one each .....	7.00
33-7135	H2S scrubber disk,for ESS-03DH-SO2 sensor,sold singly .....	2.00
33-7135-05	H2S scrubber disk,for ESS-03DH-SO2 sensor,pack of 5.....	15.00
33-7136	Humidity filter disk for H2S or PH3 sensor (pack of 5) for GasWatch 3 / 04 Series .....	8.80
33-7136-01	Humidity filter disk for H2S or PH3 sensor for GasWatch 3 / 04 Series.....	2.00

# Numerical Index

Part#	Description	Suggested Retail
33-7137	H2S filter disk for HCN sensor, CF-A13D-2, GX-3R Pro, 1 each .....	18.00
33-7138	H2S filter set (pack of 5) for HCN sensor, 04 Series .....	74.00
33-7138-01	H2S filter disk for HCN sensor, 04 Series .....	16.00
33-7139	H2S filter set (pack of 5) for SO2 or NO2 sensors, 04 Series .....	8.80
33-7139-01	H2S filter disk for SO2 or NO2 sensors, 04 Series .....	2.00
33-7140-01	Humidity filter disk,CF-B134,for NH3 sensor,GX-3r Pro.....	5.40
33-7142-01	Filter set for 1 GX-3R: 1 scrubber disk filter for CO/H2S sensor / 1 scrubber disc filter for LEL sensor / 1 hydrophobic filter with gasket .....	30.00
33-7142-05	Filter set for 5 GX-3R: 5 scrubber disk filter for CO/H2S sensor / 5 scrubber disc filter for LEL sensor / 5 hydrophobic filter with gasket .....	127.00
33-7143-01	Charcoal filter,for 1/2 NPT sensor .....	110.00
35-0103RK-02	Flow through adapter with hose barb fittings,rim feed,for ES-23 type sensor .....	30.00
35-0104RK	Flow block,ES-23 Sensor,center feed,CL2 .....	30.00
35-0104RK-01	Flow adaptor,ES-23 Sensor,center feed,CL2 .....	38.00
35-0104RK-02	Flow through adapter with hose barb fittings,center feed,for ES-23 type sensor .....	30.00
35-0108RK	Chamber,Flow,LEL/O2/HS/CO,EAGLE .....	74.00
35-0108RK-02	Flow block, w/ftgs & plugs,LEL/O2/HS/CO,Eagle .....	100.00
35-0110RK	Dummy Sensor, H2S/CO, EAGLE .....	10.00
35-0111RK	Dummy Sensor, O2, EAGLE .....	12.00
35-0112RK	Dummy Sensor, LEL, EAGLE .....	12.00
35-0118RK	Plug,CT-7 sensor,sample system .....	18.00
35-0120RK	Sensor adapter,LEL aspirator adapter .....	60.00
35-0121RK	Sensor chamber,LEL aspirator adapter .....	40.00
35-0137RK	Sensor Adapter, 3/4 NPT sensor,aspirator adapter .....	64.00
35-0142RK	Plug, ESM-01 / IR / PID sensors, EAGLE 2 .....	12.00
35-0200RK-00	Flow system assembly, 4 gas, new, EAGLE .....	400.00
35-0201RK	Assembly,Flow System,4 Gas,LEL/OXY/H2S/CO,Eagle 2 .....	460.00
35-0201RK-02	Assembly,Flow System,5 Gas,LEL/OXY/H2S/CO/IR CH4,Eagle 2 .....	500.00
35-1525	Flow through adapter for GD-A80 aspirator,for standard gases .....	200.00
35-1526	Flow through adapter for GD-A80 aspirator,for solvent gases.....	220.00
35-1527	Flow through adapter for GD-A80 aspirator,for acetylene .....	200.00
35-3001-01	35-3001 for combustibles 100% LEL .....	1,200.00
35-3001-01-01	35-3001 for IR Methane 100% LEL .....	1,600.00
35-3001-01-02	35-3001 for IR Hydrocarbon 100% LEL .....	1,600.00
35-3001-01-02-1	Assembly,35-3001 Sample Draw,IR (%LEL) HC,with flow fail contacts.....	1,650.00
35-3001-01-03	35-3001 for IR Methane 100% vol .....	1,600.00
35-3001-01H	35-3001 for Hydrogen specific 100% LEL .....	1,300.00
35-3001-01H-DIL	Assy,35-3001,Sample Draw with internal dilution for LEL (H2 specific) .....	1,400.00
35-3001-02	35-3001 for Oxygen, 0-25% vol .....	1,200.00
35-3001-03	35-3001 for Hydrogen Sulfide 0-100 ppm.....	1,400.00
35-3001-04	35-3001 for Carbon Monoxide 0-300 ppm .....	1,400.00
35-3001-04-01	Assembly,35-3001 Sample Draw,CO,with flow fail contacts (open on low flow).....	1,450.00
35-3001-05-02	35-3001 for IR Carbon Dioxide 0-5,000 ppm .....	1,600.00
35-3001-05-03	35-3001 for IR Carbon Dioxide 0-5% vol .....	1,600.00
35-3001-05-05	35-3001 for IR Carbon Dioxide 0-50% vol .....	1,600.00
35-3001-05-10	35-3001 for IR Carbon Dioxide 0-100% vol .....	1,600.00
35-3001-06	35-3001 for combustibles 100% LEL / Oxygen 0-25% vol .....	1,550.00
35-3001-06-01	35-3001 for IR Methane 100% LEL / Oxygen 0-25% vol .....	1,900.00
35-3001-06-02	35-3001 for IR Hydrocarbon LEL / Oxygen 0-25% vol .....	1,900.00
35-3001-06-03	35-3001 for IR Methane % vol / Oxygen 0-25% vol .....	1,900.00
35-3001-06H-DIL	35-3001 for LEL (H2 specific) / Oxygen, with internal dilution for LEL .....	1,780.00
35-3001-07	35-3001 for combustibles 100% LEL / Hydrogen Sulfide 0-100 ppm .....	1,700.00
35-3001-07-01	35-3001 for IR Methane 100% LEL / Hydrogen Sulfide 0-100 ppm .....	2,200.00
35-3001-07-02	35-3001 for IR Hydrocarbon 100% LEL / Hydrogen Sulfide 0-100 ppm .....	2,200.00
35-3001-07-03	35-3001 for IR Methane % vol / Hydrogen Sulfide 0-100 ppm.....	2,200.00
35-3001-08	35-3001 for combustibles 100% LEL / Carbon Monoxide 0-300 ppm .....	1,700.00
35-3001-08-01	35-3001 for IR Methane 100% LEL / Carbon Monoxide 0-300 ppm .....	2,200.00
35-3001-08-02	35-3001 for IR Hydrocarbon 100% LEL / Carbon Monoxide 0-300 ppm .....	2,200.00
35-3001-08-03	35-3001 for IR Methane % vol / Carbon Monoxide 0-300 ppm .....	2,200.00
35-3001-09	35-3001 for Oxygen 0-25% vol / Hydrogen Sulfide 0-100 ppm .....	1,700.00
35-3001-10	35-3001 for Oxygen 0-25% vol / Carbon Monoxide 0-300 ppm .....	1,700.00

# Numerical Index

Part#	Description	Suggested Retail
35-3001-11	35-3001 for combustibles 100% LEL / IR Carbon Dioxide 0-5% .....	1,900.00
35-3001-11-0102	35-3001 for IR Methane 100% LEL / IR Carbon Dioxide 0-5,000 ppm .....	2,400.00
35-3001-11-0103	35-3001 for IR Methane 100% LEL / IR Carbon Dioxide 0-5% .....	2,400.00
35-3001-11-0105	35-3001 for IR Methane 100% LEL / IR Carbon Dioxide 0-50% .....	2,400.00
35-3001-11-0110	35-3001 for IR Methane 100% LEL / IR Carbon Dioxide 0-100% .....	2,400.00
35-3001-11-02	Assembly,35-3001 Sample Draw,LEL/IR CO2(5000 ppm) .....	1,900.00
35-3001-11-0202	35-3001 for IR Hydrocarbon 100% LEL / IR Carbon Dioxide 0-5,000 ppm .....	2,400.00
35-3001-11-0203	35-3001 for IR Hydrocarbon 100% LEL / IR Carbon Dioxide 0-5% .....	2,400.00
35-3001-11-0205	35-3001 for IR Hydrocarbon 100% LEL / IR Carbon Dioxide 0-50% .....	2,400.00
35-3001-11-0210	35-3001 for IR Hydrocarbon 100% LEL / IR Carbon Dioxide 0-100% .....	2,400.00
35-3001-11-03	Assembly,35-3001 Sample Draw,LEL/IR CO2(5%) .....	1,900.00
35-3001-12	35-3001 for combustibles 100% LEL / IR Methane 100% LEL .....	1,900.00
35-3001-12H	Assembly,35-3001 Sample Draw,LEL(Cat H2 specific),IR(LEL,CH4) .....	1,980.00
35-3001-13-02	Assembly,35-3001 Sample Draw,IR (0-5000 ppm) CO2/Oxygen .....	1,900.00
35-3001-13-03	Assembly,35-3001 Sample Draw,IR (0-5%) CO2/Oxygen .....	1,900.00
35-3001-NS-03	35-3001 with no sensor, pump only .....	1,000.00
35-3001A-01	35-3001 for combustibles 100% LEL sample draw detector with transmitter.....	1,500.00
35-3001A-01-01	35-3001 for IR Methane 100% LEL with transmitter .....	1,900.00
35-3001A-01-02	35-3001 for IR Hydrocarbon 100% LEL with transmitter .....	1,900.00
35-3001A-01-021	Assembly,35-3001 Sample Draw,IR (%LEL) HC,Remote amp.,with flow fail contacts .....	2,050.00
35-3001A-01-03	35-3001 for IR Methane 100% vol with transmitter .....	1,900.00
35-3001A-01H	35-3001 for Hydrogen specific 100% LEL with transmitter .....	1,600.00
35-3001A-01HDIL	Assembly,35-3001 Sample Draw,LEL with internal dilution,hydrogen specific,remote amp .....	1,700.00
35-3001A-02	35-3001 for Oxygen, 0-25% vol with transmitter .....	1,500.00
35-3001A-04-03	Assembly,35-3001 Sample Draw,CO,remote amp,CT7 Detector Base,w/low flow contacts .....	1,895.00
35-3001A-05-02	35-3001 for IR Carbon Dioxide 0-5,000 ppm with transmitter .....	1,900.00
35-3001A-05-03	35-3001 for IR Carbon Dioxide 0-5% vol with transmitter .....	1,900.00
35-3001A-05-05	35-3001 for IR Carbon Dioxide 0-50% vol with transmitter .....	1,900.00
35-3001A-05-10	35-3001 for IR Carbon Dioxide 0-100% vol with transmitter .....	1,900.00
35-3001A-07	35-3001 for combustibles 100% LEL / Hydrogen Sulfide 0-100 ppm with transmitter .....	2,000.00
35-3001A-07-01	35-3001 for IR Methane 100% LEL / Hydrogen Sulfide 0-100 ppm with transmitter .....	2,500.00
35-3001A-07-02	35-3001 for IR Hydrocarbon 100% LEL / Hydrogen Sulfide 0-100 ppm with transmitter .....	2,500.00
35-3001A-07-03	35-3001 for IR Methane % vol / Hydrogen Sulfide 0-100 ppm with transmitter .....	2,500.00
35-3001A-08	35-3001 for combustibles 100% LEL / Carbon Monoxide 0-300 ppm with transmitter .....	2,000.00
35-3001A-08-01	35-3001 for IR Methane 100% LEL / Carbon Monoxide 0-300 ppm with transmitter .....	2,500.00
35-3001A-08-02	35-3001 for IR Hydrocarbon 100% LEL / Carbon Monoxide 0-300 ppm with transmitter .....	2,500.00
35-3001A-08-03	35-3001 for IR Methane % vol / Carbon Monoxide 0-300 ppm with transmitter .....	2,500.00
35-3001A-09	35-3001 for Oxygen 0-25% vol / Hydrogen Sulfide 0-100 ppm with transmitter .....	2,000.00
35-3001A-10	35-3001 for Oxygen 0-25% vol / Carbon Monoxide 0-300 ppm with transmitter .....	2,000.00
35-3001A-11	35-3001 for 0-10% H2, with TE-7560 TC sensor, remote amp .....	1,600.00
35-3001A-12-02	Assembly,35-3001 Sample Draw,CO2 IR(5000 ppm)/H2S,(CO2 remote amp) .....	2,500.00
35-3001A-13-03	Assembly,35-3001 Sample Draw,IR (0-5% CO2)/CO,CO2 Remote amp .....	2,500.00
35-3010A-09	Assy,4pt S.D detector,CH4(%volume IR)/O2 (CH4,O2 amps) .....	3,050.00
35-3010A-10	Assy,4pt S.D detector,CH4(LEL IR)/O2/H2S/CO (CH4,O2 amps) .....	3,450.00
35-3010A-11	Assy,4pt S.D detector,CH4/H2S/CO2 IR(5%) (CO2 amp) .....	3,100.00
35-3010A-12	Assy,4pt S.D detector,O2/H2S/CO, (O2 amp).....	2,700.00
35-3010RK-01	LEL (internal amp)/ O2 (internal amp)/ H2S/ CO (4-20mA) sample draw assembly in NEMA 4X enclosure	2,600.00
35-3010RK-02	LEL (internal amp)/ O2 (internal amp)/ H2S (4-20mA) sample draw assembly in NEMA 4X enclosure ...	2,400.00
35-3010RK-03	LEL (internal amp)/ O2 (internal amp)/CO (4-20mA) sample draw assembly in NEMA 4X enclosure.....	2,400.00
35-3010RK-04	Assy,4pt S.D detector,LEL/CO(LEL direct) .....	2,300.00
35-3010RK-05	Assy,4pt S.D detector,O2/CO (O2 direct) .....	2,300.00
35-3010RK-06-02	Assy,4pt S.D detector,O2/CO/CO2(0-5,000 ppm) (O2/CO2 direct) .....	2,800.00
35-3010RK-07	Assy,4pt S.D detector,CH4(LEL IR)/O2/H2S (CH4,O2 direct) .....	2,800.00
35-3010RKA-01	LEL/O2/ H2S/ CO sample draw assembly in NEMA 4X enclosure with transmitters .....	3,050.00
35-3010RKA-02	LEL/O2/ H2S sample draw assembly in NEMA 4X enclosure with transmitters .....	2,850.00
35-3010RKA-03	LEL/O2 /CO sample draw assembly in NEMA 4X enclosure with transmitters .....	2,800.00
35-3010RKA-04	Assy,4pt S.D detector,LEL/O2/(LEL/O2 amps) .....	2,650.00
35-3010RKA-06	Assy,4pt S.D detector,LEL/H2S(LEL amp) .....	2,500.00
35-3010RKA-07	Assy,4pt S.D detector,CH4(LEL IR)/O2/H2S (CH4,O2 amps) .....	3,200.00
35-3010RKA-08	Assy,4pt S.D detector,CH4(LEL IR)/O2 (CH4,O2 amps) .....	3,050.00
35-3011RK-01	Assy,4pt S.D detector,CO/NO2 .....	3,500.00

# Numerical Index

Part#	Description	Suggested Retail
35-3011RK-03	Assy,4pt S.D detector,LEL/O2/CO/NO/CO2 (LEL/O2 direct)	4,800.00
35-3011RKA-02	Assy,4pt S.D detector,LEL/Oxy/CO/HCN	4,400.00
41-1537RK	Pot,50K,25 turn,3/8 square,PCB mtg,side adjust,3292X	26.00
4288050010	Splash guard SPG-1 for SD-1GP	120.00
43-0417RK-01	Switch,Keycap,4mm Sq,Omron B3F Switch	0.60
43-0440RK	Switch,push but,NO,SPST,wtrprf	30.00
43-0960RK	Switch boot,toggle,10-48 bushing	12.00
43-0990RK	Switch,toggle,SPDT,C&K	12.00
43-4142RK-10	Fuse,SMT,Fast,1.5A,125V	1.50
43-4143RK	Fuse,5 x 20 mm,250V,1 amp,slow blow	2.00
43-4146	Fuse,1.6 A,250 VAC,5 x 20 mm,fast blow	5.00
43-4155RK	Fuse,2A,5 x 20 mm,fast acting	1.50
43-4165RK	Fuse,1/4X 1 1/4,FAST,3A,250V	1.80
43-4167RK	Fuse,5 x 20 mm,FAST,5A,250V	1.00
43-4170RK	Fuse,1/4 x 1 1/4,fast,6A,250V	1.20
43-7010-02	Mounting Kit,for MTL 700 serries barrier,up to 5 barriers, MK05	375.00
43-7012RK	Barrier,IS,zener,2-wire,DIN rail mounting,for contact closure,MTL7787+	340.00
43-7013	IS Barrier, isolator, 2- or 3-wire 4-20 mA transmitter or HART, MTL5541	880.00
45-2009RK	Socket,5pin,for RKK LEL Sensor	6.00
45-2311RK	Jack,panel mounting,for2.5x5.5mm plug	5.60
45-2311RK-01	Jack,chgr,w/cable & Connector,Eagle	12.00
45-2430RK	Plug adapter for charger, US to Euro, non-grounded	3.60
45-4059RK	Terminal block,2 position,feed thru	2.00
45-4062RK	Terminal block,4 POS,FEED THRU	3.00
45-6150RK	Connector lock,for Omron XG4	0.60
45-8001RK	Battery holder,GP-204/GX-3	7.00
46-3063RK	Clip,Stainless,for .75 dia,screw mounting	2.40
46-3070RK	Connector for combining 2 charger bases (required to join chargers), BC-2009	14.00
46-5100RK	Lever,wiring tool accessory for GD-70D terminal strip	0.75
46-9025RK	Knob with set screws (2), On/Off, Silver, GP-204	9.00
46-9026RK	Knob,zero/volt adjust,silver,GP-204/NP-204	3.50
46-9026RK-01	Clutch only,for zero adjust knob,GP-204	4.50
47-1009-01	Adder,15 ft AC power cord,for fixed systems	44.00
47-1015RK	Cord,line,SJT,18/3,8FT	15.40
47-1015RK-01	Power cord, SJT, 115 VAC, 8 feet, with bushings, added to fixed systems	42.00
47-1016RK	12 VDC vehicle charging adapter, Eagle 2 (charger unit not included)	30.00
47-1017	Printer power cord for SDM-6000 printer	10.00
47-1019	Replacement charging cord, 2 ft each, for GX-3R / GX-3R Pro	14.00
47-1020-01	Adder,30 foot AC power cord,for fixed systems	100.00
47-1203RK	Cable,2 conductor,twisted pair,16 AWG,shielded	1.00
47-1205RK	Cable,4 conductor,18 AWG,shielded w/20 AWG drain	5.00
47-1209RK	Cable,4 conductor,22 AWG,for PS-2 sensor	2.00
47-1213RK	Cable,2 conductor w/shield/drain,16 AWG,direct burial type	1.40
47-1214RK	Cable,4 conductor w/shield/drain,18 AWG,direct burial type	1.50
47-1500RK	Connector with cable, RM-5000	46.00
47-1501RK	Connector with cable 500 mm, RM-5000	62.00
47-1502RK	Connector with cable 1 meter, RM-5000	72.00
47-1503RK	Junction cable for Single case, RM-5000	10.00
47-1504RK	Reset cable for RM-590-R, RM-5000	62.00
47-1556-01	Extender cable with remote box, 1 meter, 600 series	135.00
47-1556-03	Extender cable with remote box, 3 meter, 600 Series	140.00
47-1556-05	Extender cable with remote box, 5 meter, 600 Series	160.00
47-1556-10	Extender cable with remote box, 10 meter, 600 Series	200.00
47-1556-20	Extender cable with remote box, 20 meter, 600 Series	300.00
47-1557RK-05	Extender cable, 5 meters for OX-07	295.00
47-1557RK-10	Extender cable, 10 meters for OX-07	360.00
47-1557RK-20	Extender cable, 20 meters for OX-07	520.00
47-1557RK-30	Extender cable, 30 meters for OX-07	660.00
47-1561RK	Extender cable, 3 meters, for SC-01	420.00
47-4001	Cable with connectors, main PCB to sensor PCB, for GX-6000	14.60
47-5010RK	Cable with connector for LEL and TC sensors for EAGLE/EAGLE 2	21.40

# Numerical Index

Part#	Description	Suggested Retail
47-5016RK	Cable w/Connector,Eagle display .....	9.50
47-5030RK	Cable w/conn,34 position,front panel,Beacon 800 .....	8.00
47-5048RK	Display cable, M2/M2A transmitter .....	10.00
47-5051RK	Cable w/connectors,type 272-FRW-12P-PHR,for ESM-01 sensor .....	30.00
47-5057RK	Cable, LCD to Main PCB, Eagle 2 .....	14.50
47-5059RK	Cable, Power, Eagle 2 .....	26.00
47-5063RK	Cable,Coiled,w/connectors,Charger Cable for SDM-E2 Cal Station .....	68.00
47-5065RK	Cable,display,for FP-300 series .....	35.00
47-5066RK	Cable,communication,GD-70D .....	190.00
47-5068RK	Cable, DC power, 50 ft. with 2 conductor 16 AWG Battery Clamps,for Rig Monitor .....	65.00
47-5068RK-25	Cable, DC power, 25 ft. with 2 conductor 16 AWG Battery Clamps,for Rig Monitor .....	50.00
47-5073RK	USB cable, Type A to Type B, 6 feet .....	4.50
47-5084RK-01	Downloading cable, USB / IrDA adapter, Windows XP, Windows 7, Windows 8, and Windows 10 compatible .....	220.00
47-5085RK	USB A to USB mini B cable, 6 feet .....	8.00
47-5088	Ethernet network cable, Cat 6, 5 ft, black .....	9.00
47-5102	5-unit charging connector bar with 5 charging cables (47-1019) for GX-3R & GX-3R Pro, no AC adapter ...	175.00
47-5102-01	5-unit charging connector bar (used in 47-5102), no charging cables .....	50.00
47-5110-5-03	Cable with 5 pin connector,for remote sensor kits, Air Alert/(AL) VOC Pro/(AL) T3A, 3 feet .....	21.60
47-5110-5-10	Cable with 5 pin connector,for remote sensor kits, Air Alert/(AL) VOC Pro/(AL) T3A,10 feet .....	72.00
47-5110-5-12	Cable with 5 pin connector,for remote sensor kits, Air Alert/(AL) VOC Pro/(AL) T3A,12 feet .....	86.40
47-5110-5-125	Cable with 5 pin connector,for remote sensor kits, Air Alert/(AL) VOC Pro/(AL) T3A,125 feet .....	900.00
47-5110-5-30	Cable with 5 pin connector,for remote sensor kits, Air Alert/(AL) VOC Pro/(AL) T3A,30 feet .....	216.00
47-5110-5-4	Cable with connector,for XP and non-XP remote sensor mounting kits,4 feet .....	28.80
47-5110-5-XX	Cable with 5-pin connector to remote mount sensor for explosion proof and non-explosion proof, price per foot (specify length in place of -XX) .....	7.20
47-5110-7-04	Cable with 7 pin connector,for remote sensor kits, AL Alert/T2A/AL 6900/AL 6940 XP and NXP, 4 feet ...	28.80
47-5110-7-10	Cable with 7 pin connector,for remote sensor kits, AL Alert/T2A/AL 6900/AL 6940 XP and NXP,10 feet ...	72.00
47-5110-7-12	Cable with 7 pin connector,for remote sensor kits, AL Alert/T2A/AL 6900/AL 6940 XP and NXP,12 feet ...	86.40
47-5110-7-125	Cable with 7 pin connector,for remote sensor kits, AL Alert/T2A/AL 6900/AL 6940 XP and NXP,125 feet ...	900.00
47-5110-7-25	Cable,antenna extension,25 feet,N-male to N-female,for AirLink models .....	195.00
47-5110-7-30	Cable with 7 pin connector,for remote sensor kits, AL Alert/T2A/AL 6900/AL 6940 XP and NXP,30 feet ...	216.00
47-5110-7-50	Cable,antenna extension,50 feet,N-male to N-female,for AirLink models .....	330.00
47-5110-7-XX	Cable with 7-pin connector to remote mount sensor (battery powered) for explosion proof and non-explosion proof, price per foot (specify length in place of -XX) .....	7.20
47-5111-100	Antenna extension cable, 100 feet, N-male to N-female for AirLink models .....	650.00
47-5111-15	Antenna extension cable,15 feet, N-male to N-female for AirLink models .....	165.00
47-5111-25	Antenna extension cable, 25 feet, N-male to N-female for AirLink models .....	215.00
47-5111-50	Antenna extension cable, 50 feet, N-male to N-female for AirLink models .....	330.00
48-0100RK	Ferrite Core, clamp on noise filter exhaust .....	3.25
48-0101	Ferrite core,broadband split/snap-on,35.1 mm long,5.60 mm dia cable,for 30 Mhz ~ 1 GHz .....	2.40
48-0800RK	Line filter,2.1mH,1.5A .....	5.50
48-0810RK	Line filter,Ferrite core,Zcat series .....	6.00
48-2000RK	Noise filter, LF210SEW-UL .....	220.00
48-3002	Pump coil for RP-70 GD-70D pump .....	20.00
49-0111RK	Power supply,switching,24V,1.1A,25W .....	50.00
49-0113RK	Power supply,88-264 VAC input,24v,6.25A output .....	157.00
49-0114RK	Power supply,switching,28 V, 5.5A .....	240.00
49-0115RK	115 / 220 VAC Adapter for charger, GX-6000/GX-2009/GX-2012/Gas Tracer/EAGLE 2/GX-8000/SC-8000 ...	20.00
49-0121-01	Retrofit Kit,49-0104RK to 49-0121RK power supply,Beacon 200 .....	100.00
49-0121-10	Power supply in 4X housing, 100-240 VAC in / 24 VDC 4.5 amp output .....	380.00
49-0121RK	Power supply,switching,90-264 VAC in,24 VDC 4.5 amps out,Astrodyne RS100-24 .....	55.00
49-0125	Power supply,ST72,100-240 VAC universal input,600W,24 VDC out,for RC Systems controllers.....	1,250.00
49-0127	AC adapter, multi-cal station, switching,100-240 VAC with 5.5 x 2.1 mm jack, powers 2 to 10 SDM-6000 units .....	320.00
49-0128	Multi-station AC adapter with cord, powers 2 to 10 SDM-6000 units .....	136.00
49-0128-01	Multi-station AC adapter without cord, powers 2 to 10 SDM-6000 units .....	120.00
49-0129	Printer AC adapter only, for SDM-6000 printer .....	140.00
49-0132-01	Power supply retrofit kit for Beacon 800,for 49-0132 supply .....	150.00
49-0133	AC adapter, 100 - 240 VAC, 5.99 VDC 2A, for GX-3R/GX-3R Pro/SDM-3R .....	90.00
49-0134	Multi-unit AC adapter, 100 - 240 VAC (5.99 VDC out) for charging 5 instruments, GX-3R / GX-3R Pro .....	265.00

# Numerical Index

Part#	Description	Suggested Retail
49-0135	AC adapter for SDM-6000, switching, 90-264 VAC in 24V 0.63 A out with 5.5 x 2.1 mm jack, RKI single type	40.00
49-0203RK	Inverter, 12 VDC to 115 VAC, for battery charger	34.00
49-1050RK	Battery, memory backup, silver oxide, SR 616, 1.55 volts, GX-2009 and GX-6000, snaps in	10.00
49-1109RK	Battery, alkaline, 9V, (for XP-204 and XP-204A only)	4.60
49-1110RK	Battery, alkaline, AAA	1.20
49-1120RK	Size AA alkaline battery	1.20
49-1130RK	Battery, C size, alkaline battery	2.40
49-1140RK	Size D alkaline battery	2.60
49-1240RK	Battery, Ni-Cad, D size	16.00
49-1312	Battery, Ni-MH, AAA, Eneloop by Panasonic	12.60
49-1320RK	Battery, Ni-MH, AA	4.00
49-1330RK	Battery, Ni-MH, C size (4 required)	13.00
49-1402RK	Data logging back up battery, 3.0 V lithium, CR2032 coin type	2.00
49-1403RK	Battery, lithium, 3V, mem ret, GX-86A / EAGLE	4.50
49-1404RK	Lithium battery, 3.0 volt, coin type, CR 2450	2.60
49-1405RK	Lithium battery, 1.55 volt, SR41W, GX-2003/EAGLE 2 (PCB memory backup battery)	4.00
49-1405RK-01	Battery contact, positive, for GX-2003/EAGLE 2, lithium battery, SUS304+NI3	1.50
49-1406RK	Battery, lithium, CR 1220, for main PCB for GX-2012, Gas Tracer, GP-1000, & NC-1000, snap in type	4.40
49-1407	Battery,lithium,3V,PCB mounting,CR1220-P1	5.60
49-1408	Battery,lithium,3.0V,coin type,Duracell DL2450	8.00
49-1410RK	Lithium battery pack, 3.6V, replacement for GD-K7D2 & GD-K77D	20.00
49-1416-01	Battery, Lithium-thionyl, non-rechargeable, 3.6 VDC 19 AH with connector for AirLink 6900 and AirLink Alert, (2 required)	35.00
49-1416-02	Battery pack, Lithium-thionyl, 4 cells, non-rechargeable, 3.6 VDC 76 AH with connector for AirLink 6940	140.00
49-1551RK	Battery, lead acid, 12V, 1.2 amp hours	50.00
49-1552RK	Battery, lead acid, 12V, 12 amp hours	98.00
49-1605RK	NI-MH battery pack for GX-2001 (Battery charger sold separately)	32.00
49-1609RK	Ni-MH battery set with hardware for GX-2009, set of 2 batteries	80.00
49-1613RK	Battery pack, lithium ion, GX-8000	780.00
49-1614RK	Battery pack, alkaline, GX-8000	440.00
49-1615RK	Battery pack, lithium ion, GX-2012 / Gas Tracer, BUL-2012	175.00
49-1615RK-CSA	Battery pack,lithium ion,BUL-2012,for GX-2012/Gas Tracer,CSA version	175.00
49-1616RK	Alkaline Battery pack without batteries with gasket, GX-2012 / Gas Tracer	120.00
49-1616RK-01	Alkaline Battery pack cover with gasket, GX-2012 / Gas Tracer	30.00
49-1616RK-01CSA	Battery pack cover w/gasket,alkaline,for GX-2012/Gas Tracer,CSA version	30.00
49-1616RK-02	Alkaline Battery pack without cover with gasket, GX-2012 / Gas Tracer	120.00
49-1616RK-CSA	Battery pack without batteries,alkaline,BUD-2012,for GX-2012/Gas Tracer,CSA version	130.00
49-1617	Battery pack, lithium ion, BUL-8000 (R) for RX-8000	780.00
49-1618	Battery pack, alkaline, BUD-8000 (R) for RX-8000	440.00
49-1619	Battery pack, Li-Ion, BUL-6000 for GX-6000	250.00
49-1620	Battery pack, alkaline, BUD-6000 for GX-6000	160.00
49-1620-03	Continuous operation adapter for GX-6000, 8 VDC to 28 VDC input	224.00
49-1620-03-01	Adder,continuous operation adapter for GX-6000, 8 VDC to 28 VDC input	240.00
49-1620-03-02	Adder,continuous operation adapter for alkaline GX-6000,8 VDC-28 VDC input,installed in instrument	95.00
49-1621	Printer battery pack for SDM-6000 printer	190.00
49-1622	Lithium ion battery pack, BUL-8000(Z1) for RX-8500 / RX-8700	650.00
49-1623	Alkaline battery pack, BUD-8000(Z1) for RX-8500 / RX-8700	360.00
49-1625	Li-Ion battery pack, BUL-3R, for GX-3R Pro	250.00
49-1626	Battery pack, alkaline, BUD-3R, for GX-3R Pro	125.00
49-1627	Battery pack, alkaline, BUD-8000(S) for SC-8000	350.00
49-1628	Battery pack, Li-Ion, BUD-8000(S1) for SC-8000	650.00
49-1630	Battery pack,Li-Ion,BUL-8000 FI, for FI-8000	790.00
49-2011RK	Ni-Cad battery charger, 115 VAC (included with Ni-Cad version instruments only), P-200 series	50.00
49-2020RK	12 VDC Adapter for charger with vehicle plug (charger base not included), GX-2009/GX-2012/ Gas Tracer/GX-6000	24.00
49-2021	DC adapter with vehicle plug & 4 ft cable,12-24 VDC for GX-3R and GX-3R Pro	50.00
49-2058RK-03	AC adapter,3 port, for SDM-2012 and SDM-E2	80.00
49-2058RK-04	AC adapter 4 port charger for SDM-2009, SDM-2012, and SDM-03	88.00
49-2146RK	Charger, RI-411 / RI-413, 115VAC (new style, one rounded end on plug & socket)	125.00
49-2149RK	Charger, 220 VAC, EAGLE	115.00
49-2149RK-01	Nicads & 220 VAC charger, add to Eagle	160.00

# Numerical Index

<b>Part#</b>	<b>Description</b>	<b>Suggested Retail</b>
49-2150RK	Ni-Cad battery Charger, -Delta V type, 115VAC, with alkaline recognition, EAGLE .....	115.00
49-2150RK-01	Charger (115VAC) and Ni-Cads, added to EAGLE .....	160.00
49-2151RK	Battery charger, 12 VDC, with cigarette lighter plug, EAGLE .....	115.00
49-2152RK	Continuous operation adaptor/charger, 115VAC, with 20' cable, EAGLE.....	115.00
49-2167RK	Charging station, 115 / 220 VAC, GX-2003 (new style) .....	96.00
49-2170RK	Charging station base only, BC-2009.....	75.00
49-2170RK-01	Charging station with 115 / 220 VAC power supply for single instrument, GX-2009 .....	90.00
49-2170RK-02	Charging station with 115 / 220 VAC power supply for two instruments, GX-2009 .....	170.00
49-2170RK-03	Charging station with 115 / 220 VAC power supply for three instruments, GX-2009 .....	250.00
49-2170RK-04	Charging station with 115 / 220 VAC power supply for four instruments, GX-2009 .....	330.00
49-2170RK-05	Charging station with 115 / 220 VAC power supply for five instruments, GX-2009 .....	410.00
49-2170RK-ADD	Upgrade kit to add one GX-2009 charger to a bank .....	75.00
49-2171RK	Charging station with 12 VDC adapter and vehicle adaptor plug for GX-2009 (single unit) .....	95.00
49-2174RK	Battery charging module, 100 - 240 VAC & 12 VDC input, EAGLE 2, (power adapter not included) .....	120.00
49-2175RK	Battery Charger, 100-240 VAC, EAGLE 2 (batteries not included).....	140.00
49-2175RK-01	Battery Charger, 100-240 VAC, with 4 C size Ni-MH batteries, added to EAGLE 2, factory installed .....	180.00
49-2175RK-02	Battery Charger, 100-240 VAC, with 4 C size Ni-MH batteries, added to EAGLE 2, field installed .....	190.00
49-2176RK	Battery charger, 12 VDC, with cigarette lighter plug, EAGLE 2 (batteries not included) .....	140.00
49-2176RK-01	Battery charger, 12 VDC, with cigarette lighter plug and 4 C size Ni-MH batteries, EAGLE 2, factory installed .....	180.00
49-2176RK-02	Battery charger, 12 VDC, with cigarette lighter plug and 4 C size Ni-MH batteries, EAGLE 2, field installed .....	190.00
49-2177RK	Battery charger, 100-240 VAC adapter and 12 VDC with vehicle plug adapter, EAGLE 2 .....	160.00
49-2177RK-01	Battery charger, 100-240 VAC adapter, 12 VDC with vehicle plug adapter, and 4 C size Ni-MH batteries, EAGLE 2, factory installed .....	200.00
49-2177RK-02	Battery charger, 100-240 VAC adapter, 12 VDC with vehicle plug adapter, and 4 C size Ni-MH batteries, EAGLE 2, field installed .....	210.00
49-2180RK	Charging station only, for Li-Ion battery pack, no AC adapter for GX-2012/Gas Tracer .....	70.00
49-2180RK-01	Charging station with AC adapter, for Li-Ion battery pack, 110/115/220 VAC, for GX-2012/Gas Tracer .....	85.00
49-2180RK-DC	Charging station only, with velcro strap, for DC Li-Ion battery pack, no DC adapter, for GX-2012/Gas Tracer .....	75.00
49-2181RK	Charging station with 12 VDC vehicle plug adapter for Li-Ion battery pack, for GX-2012/Gas Tracer .....	90.00
49-2182	Battery charger module only, BC-6000, for GX-6000 Li-Ion battery pack .....	150.00
49-2182-01	Battery charger with 100 - 240 VAC adapter, BC-6000 for GX-6000 Li-Ion battery pack .....	160.00
49-2183	Battery charger, 12 VDC with vehicle plug and instrument strap, BC-6000 for GX-6000 Li-Ion battery pack .....	190.00
49-3102RK	Ni-Cad battery charger (Bench charger for up to 4 batteries), 12 VDC .....	125.00
49-3105RK	Charger, Ni-MH, charges four AA or AAA size with A/C adapter and DC vehicle plug .....	36.00
49-3106RK	Charger, Ni-MH, charges twelve AA or AAA size with A/C adapter and DC vehicle plug .....	75.00
49-3108	Charger, Ni-MH, charges four AAA/AA/C/D size with A/C adapter and DC vehicle plug .....	80.00
49-4000RK	AC Power supply assembly for M2/M2A, input 100 VAC to 240 VAC, output 24 VDC, 0.5 amp, mounted in 18-0400RK .....	195.00
49-4000RK-SS	AC Power supply assembly for M2/M2A stainless steel housing, input 100 VAC to 240 VAC, output 24 VDC, 0.5 amp, mounted in 18-0416RK-11 .....	295.00
49-8103RK	Standby battery assembly, 24 VDC, 1.2 AMP hours, for Beacon 110 and Beacon 200 .....	250.00
49-8103RK-01	Battery,standby assembly,24VDC,1.2 amp hour,Beacon 110/200,with 6 ft cable .....	290.00
49-8104RK	Standby battery assembly, 24 VDC, 12 AMP hours, for Beacon 110, Beacon 200, Beacon 410A, Beacon 800, & Beacon 3200 .....	440.00
5000-02R	2-Channel panel mounting housing, RM-5000 Series .....	920.00
5000-02W	2-Channel wall mounting housing, RM-5000 Series.....	920.00
5000-04R	4-Channel panel mounting housing, RM-5000 Series .....	1,150.00
5000-04W	4-Channel wall mounting housing, RM-5000 Series.....	1,150.00
5000-06R	6-Channel panel mounting housing, RM-5000 Series .....	1,380.00
5000-06W	6-Channel wall mounting housing, RM-5000 Series.....	1,380.00
5000-08R	8-Channel panel mounting housing, RM-5000 Series .....	1,610.00
5000-08W	8-Channel wall mounting housing, RM-5000 Series.....	1,610.00
5000-10R	10-Channel panel mounting housing, RM-5000 Series .....	1,840.00
5000-10W	10-Channel wall mounting housing, RM-5000 Series .....	1,840.00
5000-12R	12-Channel panel mounting housing, RM-5000 Series .....	2,070.00
5000-12W	12-Channel wall mounting housing, RM-5000 Series .....	2,070.00
5000-CC	Module adapter, RM-5000 module to RM-570/580 case .....	95.00
5000-SR	1-Channel Case, panel mounting, RM-5000 Series .....	220.00

# Numerical Index

Part#	Description	Suggested Retail
5000-TM	Single Channel Case, module plug-in plate mounting, RM-5000 Series .....	200.00
51-0030RK-01	Strobe light, red, 115 VAC, Edwards 105FINHR-N5, for hazardous locations, Class I Div 2, with pipe mounting base .....	480.00
51-0031-02	Strobe,red,12 - 48 VDC,Edwards 105HISTR-EK,for Class I Div 2,w/outlet box attachment .....	760.00
51-0031RK-01	Strobe light, red, 12 - 48 VDC, Edwards 105HISTR-EK, for Class I Div 2, with pipe mounting base .....	760.00
51-0034	Strobe,blue,115 VAC,Edwards 105FINHB-N5,for Class I Div 2,without mounting base .....	440.00
51-0034-01	Strobe,blue,115 VAC,Edwards 105FINHB-N5,for Class I Div 2,with pipe mounting base .....	480.00
51-0035RK-01	Strobe light, amber, 115 VAC,Edwards 105FINHA-N5, for Class I Div 2, with pipe mounting base.....	480.00
51-0040-RED	Horn and Xenon strobe combo, red, explosion proof, Class I, Division 1, Zone 1, 24 VDC .....	4,400.00
51-0053RK	Rotating alarm light, green, 115 VAC, Federal Signal 225-120V-G .....	450.00
51-0054RK	Rotating alarm light, amber, 115 VAC, Federal Signal 225-120V-A .....	460.00
51-0055RK	Rotating alarm light, red, 115 VAC, Federal Signal 225-120V-R .....	460.00
51-0056RK	Rotating alarm light, blue, 115 VAC, Federal Signal 225-120-B .....	460.00
51-0057-02	Strobe lens,amber,for 51-0057RK .....	95.00
51-0065RK-01	Lens assembly,red,for 51-0065RK/51-0066RK .....	23.00
51-0075	LED multi-status indicator, red/green/amber, 24 VDC, NEMA 4X, Edwards 105XBRIIGA24D .....	850.00
51-0090RK-24	Flashing alarm light with horn, red, 24 VDC, 40 watt lamp, Edwards 51R-G1 .....	520.00
51-0091RK	Flashing alarm light with horn, blue, 115 VAC, 40 watt lamp, Edwards 51B-N5-40W .....	480.00
51-0092RK	Flashing alarm light with horn, amber, 115 VAC, 40 watt lamp, Edwards 51A-N5-40W .....	500.00
51-0094RK-01	Lens cover,field installable,blue,for System Sensor SpectraAlert family .....	28.00
51-0094RK-03	Lens cover,field installable,green,for System Sensor SpectraAlert family .....	25.00
51-0096RK	Strobe light with horn, red housing, 8 - 33 VDC, NEMA 4X .....	160.00
51-0096RK-AMB	Strobe with horn, red housing, 8 to 33 VDC, NEMA 4X, SpectraAlert, with amber lens cover .....	180.00
51-0096RK-BLU	Strobe with horn, red housing, 8 to 33 VDC, NEMA 4X, SpectraAlert, with blue lens cover .....	180.00
51-0096RK-RED	Strobe with horn, red housing, 8 to 33 VDC, NEMA 4X, SpectraAlert, with red lens cover .....	180.00
51-0097-01-AMB	Strobe/horn,white upper housing,amber lens,no markings,high bright,NEMA 4X,8-33VDC, SpectraAlert,2wire .....	190.00
51-0097-01-RED	Strobe/horn,white upper housing,red lens,no markings,high bright,NEMA 4X,8-33VDC, SpectraAlert,2wire .....	190.00
51-0097-01R-100	Strobe/horn,white upper housing,51-0097-01-RED w/100 ft cable .....	300.00
51-0097RK	Strobe light with horn, white housing, 96 - 132 VAC, NEMA 4X .....	230.00
51-0097RK-01	Strobe with horn, white upper housing, high brightness, 8 to 33 VDC, SpectraAlert, clear lens .....	170.00
51-0097RK-AMB	Strobe with horn, white housing, 96-132VAC, NEMA 3R, SpectraAlert, with amber lens cover .....	250.00
51-0097RK-BLU	Strobe with horn, white housing, 96-132VAC, NEMA 3R, SpectraAlert, with blue lens cover .....	250.00
51-0097RK-RED	Strobe with horn, white housing, 96-132 VAC, NEMA 3R, SpectraAlert, with red lens cover .....	250.00
51-0098-01	Strobe, red housing, with clear lens, 96 to 132 VAC, NEMA 3R .....	220.00
51-0098-01-AMB	Strobe, red housing, with amber lens cover, 96 to 132 VAC, NEMA 3R, SpectraAlert .....	230.00
51-0098-01-RED	Strobe, red housing, with red lens cover, 96 to 132 VAC, NEMA 3R, SpectraAlert .....	230.00
51-0098-AMB	Strobe, red housing, with amber lens cover, 8 to 33 VDC, NEMA 4X, SpectraAlert .....	180.00
51-0098-RED	Strobe, red housing, with red lens cover, 8 to 33 VDC, NEMA 4X, SpectraAlert .....	180.00
51-0098RK	Strobe,red housing,no markings,8 to 33 VDC,NEMA 4X .....	150.00
51-0099RK	Strobe light with horn, white housing, no markings, 8 to 33 VDC, NEMA 4X, SpectraAlert .....	190.00
51-0100	Strobe, white housing, with clear lens, 8 to 33 VDC, high candela, NEMA 4X, SpectraAlert.....	170.00
51-0100-01	Strobe, white housing, with clear lens, 96-132 VAC, high candela, NEMA 3R, SpectraAlert .....	220.00
51-0100-01-AMB	Strobe,white housing,no markings,w/amber lens cover,96-132 VAC,high candela,NEMA 3R,SpectraAlert .....	240.00
51-0100-AMB	Strobe, white housing, with amber lens cover, 8 to 33 VDC, NEMA 4X, SpectraAlert .....	190.00
51-0100-BLU	Strobe, white housing,no markings,w/blue lens cover,8 to 33 VDC,NEMA 4X .....	190.00
51-0100-RED	Strobe, white housing,no markings,w/red lens cover,8 to 33 VDC,NEMA 4X .....	190.00
51-0100-RED-01	Strobe,white housing,no markings,51-0100-RED with 100 ft cable.....	285.00
51-0100-RED-02	Strobe,white housing,no markings,51-0100-RED with 50 ft cable .....	250.00
51-0102	Horn/strobe,std brightness,white housing,no markings,NEMA 4X,4-wire,16 to 33 VDC .....	190.00
51-0102-AMB	Horn with strobe, standard brightness, white housing, NEMA 3R, 4-wire, 16 to 33 VDC, amber lens, SpectraAlert .....	205.00
51-0102-RED	Horn with strobe, standard brightness, white housing, NEMA 3R, 4-wire, 16 to 33 VDC, red lens, SpectraAlert .....	205.00
51-0104-RED	Horn with strobe, standard brightness, white housing, NEMA 3R, 4-wire, 96-132 VAC, red lens, SpectraAlert .....	265.00
51-0105	Horn with strobe, red housing, 8 to 33 VDC, NEMA 4X, SpectraAlert, 4 wire.....	228.00
51-0105-AMB	Strobe/horn,red housing,,8 to 33 VDC,NEMA 4X,SpectraAlert,4 wire,amber lens cover. ....	240.00
51-0105-RED	Horn with strobe, red housing, 8 to 33 VDC, NEMA 4X, SpectraAlert, 4 wire, with red lens cover .....	240.00
51-0122RK	Strobe,XP for Class I Div I Grps C & D,NEMA 4X,120 VAC,clear lens,Federal 27XST-120C .....	3,000.00



# Numerical Index

Part#	Description	Suggested Retail
51-0125	Strobe, explosion proof for Class I, Div I, Groups C & D, NEMA 4X, 120 VAC, red lens, pendant mounting, Federal 27XST-120R .....	3,600.00
51-0125-AMB	Strobe, XP Class I Div I Grps C & D, NEMA 4X, 120 VAC, amber lens, pendant mounting, Federal 27XST-120A .....	3,600.00
51-0131-AMB	Horn with strobe, outdoor, panel mounting, 120 VAC, 4 wire, amber lens, Edwards 868STRA-N5.....	580.00
51-0131-AMB-24	Horn with strobe, outdoor, panel mounting, 24 VDC, 24 watt lamp, 4 wire, amber lens, Edwards 868STRA-N5.....	580.00
51-0131-BLU	Horn with strobe, outdoor, panel mounting, 120 VAC, 4 wire, blue lens, Edwards 868STRB-N5 .....	580.00
51-0131-RED	Horn with strobe, outdoor, panel mounting, 120 VAC, 4 wire, red lens, Edwards 868STRR-N5 .....	580.00
51-0141RK	Strobe/horn, indoor, flush mtg., 120 VAC, blue lens, Edwards 869STRB-N5.....	460.00
51-0166	Stack light / horn, 115 VAC, red/amber/green, steady, outdoor, Signaworks S370B-110-RAG-RI1 .....	700.00
51-0174	Strobe, red, low profile, 12-48 VDC in, Federal Signal Streamline LP3S-012/048R .....	260.00
51-0200	Strobe, red housing with red lens, 12-80 VDC, flush mount, IP-66 / IP-67 .....	140.00
51-0210	Stack light, 24 VDC, red/green, steady, IP65, Patlite LR7-202WJNW-RG .....	200.00
51-0214	Stack light, 24 VDC, red/amber/flashing, buzzer, steady, IP65, Patlite LR6-202WJBW-RY .....	270.00
51-0215	Stack light, 24 VDC, red/blue/flashing, buzzer, steady, IP65, Patlite LR6-202WJBW-RB .....	305.00
51-1100RK	Display module, LCD, 4x20, Optrex .....	55.00
51-1100RK-01	Display, LCD, 4x20, w/cable, EAGLE .....	70.00
51-1100RK-02	Display module, LCD, 4x20, Optrex, w/header, for fixed system replacement.....	70.00
51-1114RK	Display, Beacon 100 .....	26.25
51-1115RK	LCD display, GasWatch 2 .....	24.00
51-1119RK	LCD module assembly with flat cable for GX-2009 .....	30.00
51-1120RK	LCD module, RX-415/RI-415 .....	190.00
51-1125RK	LCD display, GX-2012 / Gas Tracer .....	60.00
51-1128-01	Display Module, OLED, 4x20, OKAYA RW2004A-G5N-O, with header for fixed system replacement .....	64.00
51-1130	LCD Module for 03 series .....	18.00
51-1134	LCD module for FP-31 .....	54.00
51-1137	LCD module, RX-8000 .....	115.00
51-1138	LCD module for GX-8000 / SC-8000 .....	115.00
51-1139	LCD module, BTD-128160B-FBWB-G-G, for GX-6000 .....	60.00
51-1140	LCD module M9587, OX-600/EC-600 .....	76.00
51-1148	LCD module, SDM-6000, LMTM035QVGNCR-4R.....	180.00
51-1500RK	Replacement lamp only, old style, 0-50 ppm for 61-0300RK-01, 10.6 eV/PID-001 sensor in EAGLE 2/GX-6000 .....	275.00
51-1502	Replacement lamp, old style, 0-2000 (EAGLE 2) or 0-6000 ppm, 61-0300RK-02 sensor, 10.6 eV/PID-002 (GX-6000).....	250.00
51-1503	Replacement lamp only, 0-50/-2000/-6000/ HPPM long life type for any 10.6 eV or 10.0 eV PID. ....	220.00
51-1504	Replacement lamp, 0-1000 ppm for PID-004, 11.7 eV lamp in GX-6000 or VOC Pro .....	550.00
52-0003RK	Horn, 115 VAC, vibratory, NEMA 4X, Edwards 876-N5 .....	275.00
52-0003RK-240	Horn, vibrating, 240 VAC .06 A, NEMA 4X, Edwards 876-R5 .....	285.00
52-0004RK	Horn, 24 VDC, vibrating, Federal 450-24 VDC .....	380.00
52-0005RK	Horn, 115 VAC, Federal Signal 350-WBX, for hazardous locations, Class I Div 2 .....	840.00
52-0006RK	Vibrating horn, explosion proof for Class 1, Div. I, groups E, F, G, 120 VAC, Federal Signal 31X-120-3 .....	1,980.00
52-0007	Horn, vibrating, 24 VDC .16 A, NEMA 4X, Edwards 877-G1 .....	340.00
52-0008	Horn, electronic, 12/24 VDC, NEMA 4x, for Class I/II Div 2, Class III, Federal Signal 450EWBX-024 .....	980.00
52-1006RK	Buzzer, piezo, FDK EB4015A-30C150-9V, 3-12 V .....	16.80
52-1009RK	Buzzer/vibrator w/wires, GX-2001, new style.....	15.00
52-1016RK	Buzzer, piezo, panel mounting, 1.25 dia, AI3736PC28R, for Beacon 110/200/410/800 .....	26.00
52-1017RK-01	Internal buzzer, extra loud (90 db at 2 feet), added to EAGLE top case .....	85.00
52-1017RK-03	Buzzer, Loud, added to existing Eagle.....	80.00
52-1017RK-04	Buzzer, Loud, added to non UL/CSA type std Eagle top.....	60.00
52-1019RK	Buzzer, Panel/Flange Mount, Eagle 2 .....	6.00
52-1019RK-01	Buzzer, replacement w/cable and connector, Panel/Flange Mount, Eagle 2 .....	11.60
54-2903RK	Converter, DC-DC, isolated, 24V to 5V, 1 watt, single output, DCP012405BP .....	40.00
54-7114RK-101	Eprom, Eagle, standard 4-gas, for Microchip EEPROM .....	20.00
57-0010RK	PCB assembly, main CPU, EAGLE .....	368.00
57-0011RK	PCB assembly, analog, EAGLE .....	420.00
57-0012RK	Data logging board for field installation (also need 82-5007RK), EAGLE (check availability) .....	140.00
57-0012RK-01	Data logging board, factory installed (also need 82-5007RK), EAGLE (check availability) .....	140.00
57-0019RK	PCB assembly, battery, jumper side, EAGLE .....	26.00
57-0020RK	PCB assembly, I. S. barrier / battery power, standard EAGLE (No IR sensors) .....	68.00

# Numerical Index

Part#	Description	Suggested Retail
57-0020RK-01	PC Board assembly,ISB/bat,Eagle w/IR .....	80.00
57-0020RK-03	PC Board assembly,ISB/bat,Eagle w/2 IR's .....	98.00
57-0028RK	PC Board assembly,display, Beacon 800 .....	270.00
57-0029-01	PC Board assembly,main, 8 channel,setup for replacement .....	1,140.00
57-0035RK-01	PCB assembly, CO, 0 - 300 ppm, 4-20 mA transmitter, M Series .....	120.00
57-0036RK	PCB assy,Beacon 800 power relay board .....	200.00
57-0037RK	PCB assy,Beacon 800, 4-20 mA/1-5VDC Output Board .....	300.00
57-0050RK	Main PCB assy,Beacon 200 .....	860.00
57-0070RK-01	Display PCB assembly,CSA dimensions,Beacon 200,programmed .....	380.00
57-0075RK	Display assembly, LCD for M2 smart transmitter/Beacon 110 .....	90.00
57-0078RK	PCB assembly,main,4-wire low current LEL,w/o charging,Beacon 110 .....	420.00
57-0078RK-01	PCB assembly,main,4-wire low current LEL,with charging,Beacon 110 .....	440.00
57-0078RK-11	PCB assembly,main,4-wire low current LEL,w/charging,programmed w/wires and power supply, Beacon 110 .....	470.00
57-0078RK-12	PCB assembly,main,4-wire low current LEL,w/o charging,programmed w/wires,no power supply, Beacon 110 .....	430.00
57-0078RK-13	PCB assembly,main,4-wire low current LEL,w/charging,programmed w/wires,no power supply, Beacon 110 .....	450.00
57-0086RK-01	PCB assembly,12 to 24V DC-DC converter,Beacon 110 rig monitor. ....	98.00
57-0089RK	Display PCB assembly, Beacon 410, with LCD display .....	190.00
57-0089RK-01	PCB Assy,Display,Beacon 410/410A,Low Temperature,4x20 OLED .....	180.00
57-0100RK	PCB Assy,Pogo Pin/IS Barrier,Eagle 2 .....	80.00
57-0102RK-01	PC board assembly, main replacement, EAGLE 2 .....	600.00
57-0103RK-01	PC board assembly, LCD replacement, EAGLE 2 .....	250.00
57-0109RK	PC board assembly, sub PCB, ESM-01, EAGLE 2 .....	140.00
57-0110RK	PC board assembly, sub PCB, IR, EAGLE 2 .....	140.00
57-0111RK	PC board assembly, sub PCB, TC, EAGLE 2 .....	140.00
57-0112RK-01	PC board assembly, sub PCB, PID, reprogrammed and defaulted, EAGLE 2 .....	140.00
57-0140RK	PCB Assembly,CO/H2S 4-20 mA,35-3001. ....	70.00
57-0141RK	PCB Assembly,Main,35-3001 .....	150.00
57-0142RK	PCB Assembly,flowmeter ,35-3001 .....	40.00
57-0149RK-02	PCB Assy,H2S Preamp w/ RKK Jumper,Sample Draw Mtg .....	40.00
57-0150RK	Display assembly, OLED for M2A .....	90.00
57-0157	PCB Assy,main,Beacon 410A,w/ External EEPROM,without battery charging .....	1,460.00
57-0157-03	PCB Assy,Main,Digester,without battery charging .....	1,460.00
57-0157-06	PCB Assy,Main,for Beacon B410 replacement,w/ External EEPROM,without battery charging .....	1,460.00
57-0157-07	PCB Assy,Main Digester, Replacement Kit,w/ External EEPROM,without battery charging .....	1,460.00
57-0168-01	Sensor module PC board assembly for Beacon 3200, accepts 4 channels per sensor module .....	440.00
57-0169-01	Relay module PC board assembly for Beacon 3200, provides 8 programmable relays per relay module ...	340.00
57-1050RK	Xmtr,4-20 ma,LEL,S type, as sold .....	250.00
57-1053RK	Transmitter, S2, LEL, 4-20 mA, standard version, 4 wire (low current) detector .....	275.00
57-1053RK-01	Xmtr,S2,LEL,potted,4-20 mA,Std version,4-wire (low current) detector,w/out orienting gasket .....	275.00
57-1060RK	Xmtr,4-20 ma,H2S/CO,S type .....	225.00
57-1061RK	Transmitter, 4-20 mA, Oxygen, S-type with temperature compensation for CT sensor, (old style) .....	225.00
57-1062RK	Transmitter, 4-20 mA, Oxygen, S-type with temperature compensation, (standard O2 amplifier) .....	225.00
57-1064RK-01	Transmitter, S2, Oxygen, 0-25%, 4-20 mA, with gasket .....	275.00
57-1064RK-02	Xmtr,S2,potted,4-20 mA,0-100% Oxy, with gasket .....	260.00
57-1064RK-03	Transmitter, S2, toxics, 4-20 mA, with gasket .....	260.00
57-1064RK-50	Xmtr,S2,potted,4-20 mA,installed in 18-0400RK junction box .....	360.00
57-1070-01	Transmitter,S2,potted,MOS,linearizing,ppm H2 and hexane,4-20 mA,with orienting gasket .....	400.00
57-1252RK	Potted assy,4-20mA xmtr,CO w/H2 compensation .....	250.00
57-1280RK-01	Terminal/relay board, potted, oxygen, M2A Transmitter, standard for OLED display .....	380.00
57-1280RK-02	Terminal/relay board, potted, CO, M2A Transmitter, standard for OLED display .....	380.00
57-1280RK-03	Terminal/relay board, potted, H2S, M2A Transmitter, standard for OLED display .....	380.00
57-1280RK-04	Terminal/relay board, potted, ASH3, M2A Transmitter, standard for OLED display .....	380.00
57-1280RK-06	Terminal/relay board, potted, NH3, M2A Transmitter, standard for OLED display .....	380.00
57-1280RK-08	Terminal/relay board, potted, pH3, M2A Transmitter, standard for OLED display .....	380.00
57-1280RK-09	Terminal/relay board, potted, SO2, M2A Transmitter, standard for OLED display .....	380.00
57-1280RK-11	Terminal/relay board, potted, HCN, M2A Transmitter, standard for OLED display .....	380.00
57-1280RK-13	M2A transmitter,Toxic/Oxy, w/o detector .....	840.00
57-1280RK-14	Terminal/relay board,potted,0-100 ppm CO,M2A Transmitter .....	380.00

# Numerical Index

Part#	Description	Suggested Retail
57-1280RK-15	Terminal/relay board,potted,0-200 ppm CO,M2A Transmitter .....	380.00
57-1280RK-16	M2A transmitter,Toxic/Oxy, w/o detector,w/magnet,specify gas and range .....	840.00
57-1280RK-17	M2A transmitter,Toxic/Oxy,w/o detector & j-box,specify gas and range .....	520.00
57-1280RK-20	Terminal/relay board,potted,0-500 ppm NH3,M2A Transmitter .....	380.00
57-1280RK-21	Terminal/relay board,potted,0-50.0 ppm H2S,M2A Transmitter .....	380.00
57-1280RK-22	Terminal/relay board,potted,0-100 ppm NH3,M2A Transmitter .....	380.00
57-1280RK-23	Terminal/relay board,potted,0-3.00 ppm ClO2,M2A Transmitter .....	380.00
57-1280RK-25	Terminal/relay board,potted,0-200 ppm NH3,M2A Transmitter .....	380.00
57-1281RK-01	Terminal/relay board, potted, LEL, M2A Transmitter, specify calibration gas, standard for OLED display ...	380.00
57-1281RK-02	Terminal/relay board, potted, LEL,H2 specific, M2A Transmitter, standard for OLED display .....	380.00
57-1281RK-04	Terminal/relay board,potted,0 - 5 % volume CH4,M2A Transmitter.....	380.00
57-1281RK-05	Terminal/relay board, potted, LEL,IR HC sensor, M2A Transmitter, standard for OLED display .....	380.00
57-1281RK-06	Terminal/relay board, potted, IR CO2 sensor, 0 - 5,000 ppm, M2A Transmitter, standard for OLED display	380.00
57-1281RK-07	Terminal/relay board, potted, IR CO2 sensor, 0 - 5%, M2A Transmitter, standard for OLED display .....	380.00
57-1281RK-08	Terminal/relay board, potted, IR CO2 sensor, 0 - 50%, M2A Transmitter, standard for OLED display .....	380.00
57-1281RK-09	Terminal/relay board, potted, IR CO2 sensor, 0 - 100%, M2A Transmitter, standard for OLED display .....	380.00
57-1281RK-11	Terminal/relay board, potted, IR CH4 sensor, 0 - 100% volume, M2A Transmitter, standard for OLED display .....	380.00
57-1281RK-13	M2A transmitter,combustible/CO2, w/o detector .....	840.00
57-1281RK-16	M2A transmitter,combustible/CO2, w/o detector,w/magnet,specify gas and range .....	850.00
57-1281RK-17	M2A transmitter,combustible/CO2,w/o detector & j-box,specify gas and range .....	520.00
57-1281RK-19	Terminal/relay board,potted,0 - 20% CO2,M2A Transmitter.....	380.00
57-1282	Main PC board assembly, GP-03 .....	160.00
57-1283	Main PC board assembly, OX-03 .....	150.00
57-1284	Main PC board assembly, CO-03 .....	150.00
57-1285	Main PC board assembly, HS-03 .....	150.00
57-1286	Main PCB assembly for GX-6000 .....	750.00
57-2001RK	PCB assembly,RP-2009 .....	180.00
57-2005RK	PC board assembly, type 4 with cable for PID, EAGLE 2 .....	36.00
57-2005RK-01	Adaptor assembly, type 4 to ESM-01 with cable, EAGLE 2 .....	66.00
57-2027	PCB assembly,main,SDM-2009,setup for use .....	380.00
57-2028	PCB assembly,main,SDM-2012,setup for use .....	380.00
57-2041RK	Sensor PC board assembly, GX-2012 .....	88.00
57-2042RK	Sensor PC board assembly, Gas Tracer .....	88.00
57-2043RK	CPU PC board assembly, GX-2012 .....	640.00
57-2044RK	CPU PC board assembly, Gas Tracer .....	640.00
57-2050RK	CPU PCB assembly for GX-2001 .....	240.00
57-2052RK	PCB main assembly, GX-2009.....	250.00
57-2053	PCB assembly,sensor,MSHA NO2 version,GX-2009 .....	65.00
57-2056RK	PCB assy,main,GW-2C.....	235.00
57-2062RK	Analog PC board assembly for GP-01 .....	105.00
57-2064RK	Analog PCB assembly with sensor sockets installed, GX-2003.....	360.00
57-2065RK-OX	PCB assy,CPU,programmed for OX-01 .....	80.00
57-2067RK	PC board assembly for sensor, buzzer and sensor socket for HS-01 and CO-01 .....	68.00
57-2068RK	PCB assembly, CPU board for SC-01 .....	140.00
57-2069RK	PCB assembly analog board for SC-01 .....	175.00
57-2070RK	Display w/PCB assembly,SC-01 .....	140.00
57-2071RK	PCB assembly,main,RX-415 .....	650.00
57-2080RK	PCB assembly, RS-485 communication Board, RM-5000 .....	90.00
57-2082	PCB assesmby,main,GX-8000 .....	1,150.00
57-2083	PCB assesmby,amp,for types A-F,GX-8000 .....	300.00
57-2086	PCB assembly,main,RX-8000 (specify which type of gas) .....	1,150.00
57-2087	PCB assembly,amp,RX-8000 .....	1,150.00
57-2088	PCB assesmby,oxygen sensor,RX-8000.....	115.00
57-2089	PCB assy,sensor unit,OX-600 .....	125.00
57-2090	Main PCB,4-20 mA,GD-70D .....	728.00
57-2091	Main PCB assembly for FP-31 .....	360.00
57-2092	Main PCB,OX-600 .....	530.00
57-2093	Main PCB assembly,SDM-6000 .....	975.00
57-2094	Charging PCB assembly,SDM-6000 .....	125.00
57-2095	IO PCB assembly,SDM-6000 .....	150.00

# Numerical Index

Part#	Description	Suggested Retail
57-2096	LCD PCB assembly,SDM-6000 .....	145.00
57-2097	Connecting PCB assembly,SDM-6000 .....	54.00
57-2098	PCB assembly,Li-ion battery with battery board,GX-3R .....	160.00
57-2099	PCB assembly,Li-ion battery with battery board,GX-3R Pro .....	160.00
57-2100	PCB assembly,sensor board,EC-600 .....	125.00
57-2101	PCB assembly,terminal board (relay module),RI-600 .....	140.00
57-2102	PCB assembly,amp board,RX-8700 .....	875.00
57-2103	PCB assembly,DC power supply,OX-600/EC-600/RI-600 .....	70.00
57-2104	PCB assembly,GX-3R Pro main board .....	480.00
57-2105	PCB assembly,main,GX-3R .....	480.00
57-2106	PCB assembly,main PCB with buzzer and display,GX-3R Pro .....	700.00
57-5092	Tab cover assembly for FP-31 .....	56.00
57-7115	Sensor keeper,with CR2032 battery,for ESS type sensors .....	12.00
57-8021RK	PC Board assembly, NP-204 .....	85.00
57-8050RK	Converter, 24 VDC to 24 VAC, for GD-D8 24 VDC type .....	100.00
60-1006RK	Flame Arrestor,CT-7 Sensor .....	95.00
60-1006RK-01	Flame Arrestor w/guard,CT-7 Sensor .....	115.00
60-1007RK	Flame arrestor w/plate,GP-204 .....	44.00
60-5010RK	LEL filaments only, for HW-6244A, (for 61-0220RK), GX-82/-86, GX-82A/-86A, GP-82 .....	40.00
61-0101RK	Sensor, LEL, 1/2" NPT, CH4, GTI, 61-0101 substitute, (NC-6242) .....	270.00
61-0101RK-02	Sensor,LEL,1/2 inch NPT,CH4,NC-6242,w/o rain shield .....	260.00
61-0126CRK	Sensor,LEL,1/2" NPT,CH4,GTI 61-0126C sub,NC-6242,CSA classified .....	310.00
61-0140RK	Sensor, LEL combustible (catalytic), direct connection (no transmitter, no j-box), UL version .....	250.00
61-0140RK-01	Sensor, LEL, 1/2" NPT, CH4 (NC-6241), without rain shield .....	240.00
61-0140RK-03	Sensor,LEL,1/2 NPT,NC-6241,w/3' cable .....	275.00
61-0140RK-05	Sensor, LEL combustible (catalytic), direct connection (no transmitter, no j-box), cCSAus version .....	300.00
61-0140RKA	Sensor, PPM and low LEL combustible (catalytic), direct connection (no transmitter, no j-box) .....	300.00
61-0140RKA-05	Sensor, PPM and low LEL combustible (catalytic), direct connection (no transmitter, no j-box), cCSAus version .....	350.00
61-0155RK	Sensor, LEL H2 only, plug-in, (NC-6244) for EAGLE 2, 35-3001, 35-3000, GD-A8/D8 .....	250.00
61-0160RK	Sensor, Hydrogen (H2) 0-2,000 ppm, MOS, 1/2 NPT, UL version .....	400.00
61-0160RK-02	Sensor, H2, 0-2000 ppm, 1/2" NPT, SG-8546, without shield .....	400.00
61-0165RK	Sensor, Hydrogen (H2), 0-2000 ppm, SG-8541, plug-in .....	400.00
61-0165RK-4000	Sensor,H2,0-4000 ppm,plug-in,SG-8541 .....	400.00
61-0180RK	Sensor,TC,TE-7560 in 1/2" NPT, RKI potted style .....	400.00
61-0190RK-CH4	Sensor, Methane (CH4) 0 - 100% LEL, IR, explosion proof direct connection, 3/4" NPT nipple (no transmitter, no j-box), cULus version .....	700.00
61-0190RK-HC	Sensor, Hydrocarbon (HC) 0 - 100% LEL, IR, isobutane standard calibration, explosion proof direct connection, 3/4" NPT nipple (no transmitter, no j-box), cULus version .....	700.00
61-0191-03DIS	Sensor,IR,3/4 inch NPT,0 - 5% CO2,with splashguard .....	740.00
61-0191RK-01	Sensor,IR,3/4 inch NPT,0 - 9,000 ppm CO2 .....	700.00
61-0191RK-02	Sensor, Carbon Dioxide (CO2) 0 - 5,000 ppm, IR, explosion proof direct connection (no transmitter, no j-box), cULus version .....	700.00
61-0191RK-03	Sensor, Carbon Dioxide (CO2) 0 - 5%, IR, explosion proof direct connection (no transmitter, no j-box), cULus version .....	700.00
61-0191RK-05	Sensor, Carbon Dioxide (CO2) 0 - 50%, IR, explosion proof direct connection (no transmitter, no j-box), cULus version .....	700.00
61-0191RK-10	Sensor, Carbon Dioxide (CO2) 0 - 100%, IR, explosion proof direct connection (no transmitter, no j-box), cULus version .....	700.00
61-0192RK-CH4	Sensor, Methane (CH4) 0 - 100% volume, IR, explosion proof direct connection, 3/4" NPT nipple (no transmitter, no j-box), cULus version .....	700.00
61-0198RK-01	Assembly,detector,IR,0 - 9,000 ppm CO2,Non XP w/replaceable sensor .....	650.00
61-0198RK-02	Sensor, IR Carbon Dioxide (CO2) 0-5,000 ppm, non explosion proof direct connect, replaceable sensor ...	650.00
61-0198RK-03	Sensor, IR Carbon Dioxide (CO2) 0-5%, non explosion proof direct connect, replaceable sensor .....	650.00
61-0198RK-04	Sensor, IR Carbon Dioxide (CO2) 0-20%, non explosion proof direct connect, replaceable sensor .....	650.00
61-0198RK-05	Sensor, IR Carbon Dioxide (CO2) 0-50%, non explosion proof direct connect, replaceable sensor .....	650.00
61-0198RK-10	Sensor, IR Carbon Dioxide (CO2) 0-100%, non explosion proof direct connect, replaceable sensor .....	650.00
61-0199RK-CH4	Assembly,detector,IR,0 - 100 %volume CH4,non XP w/replaceable sensor .....	650.00
61-0206-CH4	Detector assembly with replaceable sensor, IR, Methane (CH4) 0 - 100% LEL, explosion proof direct connection with 3/4" NPT conduit mounting (no transmitter, no j-box), .....	740.00

# Numerical Index

Part#	Description	Suggested Retail
61-0206-HC	Detector assembly with replaceable sensor, IR, Hydrocarbon (HC) 0 - 100% LEL, explosion proof direct connection with 3/4" NPT conduit mounting (no transmitter, no j-box),	740.00
61-0207-02	Detector assembly with replaceable sensor, IR, Carbon Dioxide (CO2) 0 - 5,000 ppm, explosion proof direct connection, 3/4" NPT conduit mounting (no transmitter, no j-box), cULus version	740.00
61-0207-03	Detector assembly with replaceable sensor, IR, Carbon Dioxide (CO2) 0 - 5%, explosion proof direct connection, 3/4" NPT conduit mounting (no transmitter, no j-box), cULus version	740.00
61-0207-04	Detector assy,IR CO2, 0-20%,XP with replaceable sensor,3/4 inch NPT conduit mounting	740.00
61-0207-05	Detector assembly with replaceable sensor, IR, Carbon Dioxide (CO2) 0 - 50%, explosion proof direct connection, 3/4" NPT conduit mounting (no transmitter, no j-box), cULus version	740.00
61-0207-10	Detector assembly with replaceable sensor, IR, Carbon Dioxide (CO2) 0 - 100%, explosion proof direct connection, 3/4" NPT conduit mounting (no transmitter, no j-box), cULus version	740.00
61-0217RK	Sensor, LEL (HW - 6259A), GX-94 / Safetmate	160.00
61-0220RK	Sensor, LEL (complete), HW-6244A, GX-82 type	80.00
61-0230	LEL, MPS type sensor, 3/4 inch NPT	700.00
61-0302	Sensor, Volatile Organic Compounds (VOC) 0-50 ppm, 10.6 eV PID, low ppm sensor for VOC Pro, Air Alert, AirLink VOC Pro, AirLink Alert	1,100.00
61-0303	Sensor, Volatile Organic Compounds (VOC) 0-2000 ppm, 10.6 eV PID, high ppm sensor for VOC Pro, Air Alert, AirLink VOC Pro, AirLink Alert	940.00
61-0304	Sensor, Volatile Organic Compounds (VOC) 0-100 ppm, 11.7 eV PID for VOC Pro, Air Alert, AirLink VOC Pro, AirLink Alert	1,200.00
61-0305	Sensor, Volatile Organic Compounds (VOC) 0-100 ppm/0-50 ppm for Benzene, 10.0 eV PID for VOC Pro, Air Alert, AirLink VOC Pro, AirLink Alert	1,200.00
61-1000RK	Sensor, LEL combustible (catalytic) with explosion proof j-box (no transmitter), (specify calibration), UL version	350.00
61-1000RK-04	Sensor, LEL combustible (catalytic) with explosion proof j-box (no transmitter), (specify calibration) and calibration adapter/splash guard	425.00
61-1000RK-05	Sensor, LEL combustible (catalytic) with explosion proof j-box (no transmitter), (specify calibration), CSA version	400.00
61-1000RKSS	LEL Sensor with XP stainless steel J-Box	450.00
61-1000RKSS-05	LEL Sensor with XP stainless steel J-Box,CSA type	500.00
61-1001RK	Sensor, LEL Hydrogen (H2) specific with explosion proof j-box (no transmitter), UL version	495.00
61-1001RK-04	Sensor, LEL Hydrogen (H2) specific with explosion proof j-box (no transmitter) and calibration adapter/splash guard	580.00
61-1001RK-05	Sensor, LEL Hydrogen (H2) specific with explosion proof j-box (no transmitter), CSA version	545.00
61-1001RKSS	Hydrogen specific LEL sensor w/XP stainless steel j-box	595.00
61-1003RK-CH4	Sensor, IR, Methane (CH4) 0 - 100% LEL, explosion proof with j-box, UL version	800.00
61-1003RK-CH4-4	Sensor, IR, Methane (CH4) 0 - 100% LEL, explosion proof with j-box and calibration adapter/splash guard	840.00
61-1003RK-HC	Sensor, IR, Hydrocarbons (HC) 0 - 100% LEL, isobutane standard calibration, explosion proof with j-box, UL version	800.00
61-1003RK-HC-04	Sensor, IR, Hydrocarbon (HC) 0 - 100% LEL, explosion proof with j-box and calibration adapter/splash guard	840.00
61-1003RKSS-CH4	Sensor, IR, Methane (CH4) 0 - 100% LEL, explosion proof with stainless steel j-box, UL version	900.00
61-1003RKSS-HC	IR LEL detector with XP Stainless Steel J-Box,HC	900.00
61-1004RK-01	IR detector with XP J-Box,CO2,0 - 9,000 ppm	800.00
61-1004RK-02	Sensor, IR, Carbon Dioxide (CO2) 0 - 5,000 ppm, explosion proof with j-box, UL version	800.00
61-1004RK-03	Sensor, IR, Carbon Dioxide (CO2) 0 - 5%, explosion proof with j-box, UL version	800.00
61-1004RK-03DIS	Sensor, IR, Carbon Dioxide (CO2) 0 - 5%, explosion proof with j-box with splashguard	840.00
61-1004RK-05	Sensor, IR, Carbon Dioxide (CO2) 0 - 50%, explosion proof with j-box, UL version	800.00
61-1004RK-10	Sensor, IR, Carbon Dioxide (CO2) 0 - 100%, explosion proof with j-box, UL version	800.00
61-1004RKSS-02	IR detector with XP Stainless Steel J-Box,CO2,0 - 5,000 ppm	900.00
61-1004RKSS-03	IR detector with XP Stainless Steel J-Box,CO2,0 - 5%	900.00
61-1004RKSS-05	IR detector with XP Stainless Steel J-Box,CO2,0 - 50%	900.00
61-1004RKSS-10	IR detector with XP Stainless Steel J-Box,CO2,0 - 100%	900.00
61-1006RK-CH4	Sensor, IR, Methane (CH4) 0 - 100% VOL, with j-box, UL version	800.00
61-1006RK-CH4-1	Sensor, IR, Methane (CH4) 0 - 100% vol, explosion proof with j-box, remote detector and splash guard/cal cup, UL version	890.00
61-1006RKSS-CH4	IR 0 - 100% %volume CH4 detector with XP Stainless Steel J-Box	900.00
61-1007RK-01	IR detector with J-Box,CO2,0 - 9,000 ppm,non XP w/replaceable sensor	750.00
61-1007RK-02	Sensor, IR, Carbon Dioxide (CO2) 0 - 5,000 ppm, non explosion proof with j-box	750.00
61-1007RK-03	Sensor, IR, Carbon Dioxide (CO2) 0 - 5%, non explosion proof with j-box	750.00

# Numerical Index

Part#	Description	Suggested Retail
61-1007RK-05	Sensor, IR, Carbon Dioxide (CO2) 0 - 50%, non explosion proof with j-box	750.00
61-1007RK-10	Sensor, IR, Carbon Dioxide (CO2) 0 - 100%, non explosion proof with j-box	750.00
61-1007RKSS-02	IR detector with stainless steel J-Box,CO2,0 - 5,000 ppm,non XP w/repaceable sensor	850.00
61-1007RKSS-03	IR detector with stainless steel J-Box,CO2,0 - 5%,non XP w/repaceable sensor	850.00
61-1007RKSS-05	IR detector with stainless steel J-Box,CO2,0 - 50%,non XP w/repaceable sensor	850.00
61-1007RKSS-10	IR detector with stainless steel J-Box,CO2,0 - 100% volume,non XP w/repaceable sensor	850.00
61-1020	LEL, Direct Connect, MPS type detector with XP J-Box	800.00
61-1050RK	Hydrogen (H2) specific sensor / j-box, 0-2000 ppm	495.00
61-2000	Remote sensor mounting kit for Air Alert, non-explosion proof (order cable separately)	170.00
61-2001	Remote sensor mounting kit, explosion proof with 5-pin connector for T3A/AirLink T3A/ VOC Pro/AirLink VOC Pro (order cable separate)	410.00
61-2002	Remote sensor mounting kit, explosion proof for AirLink Alert/AirLink 6940NXP (order cable separate)	170.00
61-2003	Remote sensor mounting kit, explosion proof with 7-pin connector for T2A/AirLink 6900/ AirLink 6940XP (order cable separate)	410.00
61-5006RK	Sensor, IR, Methane (CH4) & Carbon Dioxide (CO2), RI/RX-415, model DE-3113-4	1,260.00
61-5007RK	Sensor, IR, Hydrocarbons (HC) & Carbon Dioxide (CO2), RI/RX-415, RX-8000, model DE-3123-1	1,260.00
61-5008RK	Detector assembly,IR,CH4/CO2,RX-515, model DE-3123-2,as sold	1,400.00
61-5010RK	IR sensor / pcb assembly, Carbon Dioxide (CO2), 0 - 5% volume range, EAGLE, DE-3113-1	750.00
61-5011RK	IR sensor / pcb assembly, Carbon Dioxide (CO2), 0 - 5,000 ppm & 10,000 ppm range, EAGLE, DE-3113-2	750.00
61-5012RK	IR sensor / pcb assembly, Carbon Dioxide (CO2), 0 - 20% & 60% volume range, EAGLE, DE-3113-6	750.00
61-5015RK	IR detector,0 - 1% CO2,DE-3113-5,RI-85	525.00
61-5016RK	IR detector,0 - 5% CO2,DE-3113-9,RI-85	525.00
61-5020RK	IR sensor / pcb assembly, Methane (CH4), 0 - 100% LEL & 0 - 100% volume autoranging, EAGLE, DE-3113-3	750.00
61-5021RK	IR sensor / pcb assembly, HC, 100 % LEL / 30% volume, autoranging, EAGLE, DE-3113-11	750.00
61-5025RK	IR sensor / pcb assembly, Methane (CH4), 0 - 100% LEL range, EAGLE	750.00
61-5039RK-CH4	Sensor, Methane (CH4) 0-100% LEL, IR, plug-in style	400.00
61-5039RK-HC	Sensor, Hydrocarbon (HC) 0-100% LEL, IR, plug-in style	400.00
61-5040RK-01	IR detector, plug-in,0 - 9,000 ppm CO2, replacement sensor only	400.00
61-5040RK-02	Sensor, IR Carbon Dioxide (CO2) 0-5,000 ppm, plug-in type, non-explosion proof	400.00
61-5040RK-03	Sensor, IR Carbon Dioxide (CO2) 0-5%, plug-in type, non-explosion proof	400.00
61-5040RK-04	IR detector, plug-in,CO2,20% vol,replacement sensor only	400.00
61-5040RK-05	Sensor, IR Carbon Dioxide (CO2) 0-50%, plug-in type, non-explosion proof	400.00
61-5040RK-06	IR detector, plug-in,CO2,10% vol, replacement sensor only	400.00
61-5040RK-10	Sensor, IR Carbon Dioxide (CO2) 0-100%, plug-in type, non-explosion proof	400.00
61-5041RK-CH4	Sensor, IR Methane (CH4) 0 - 100% vol, plug-in	400.00
62-0010RK	Sensor assembly for PS 2, LEL, with 30' cable	100.00
62-0011RK	Sensor assembly for PS 2, PPM, with 30' cable	100.00
62-0107RK	Sensor/flame arrester assembly, for NP-204, RKK Style, MS-6311	140.00
62-0111-01	Sensor/flame arrester/hardware, GP-204, RKK Style, converted from 62-0107RK	140.00
62-0121RK	Sensor,LEL,GX-7,Complete, (GE-5740-C2/B)	80.00
62-0125RK	Sensor, LEL / ppm Hydrocarbon (NC-6260), EAGLE standard catalytic sensor	200.00
62-0126RK	Sensor, LEL for GX-4000A (NS-2900-M)	80.00
62-0127RK	Sensor, LEL complete for SP-237H, GE-8241-C4C	275.00
62-0128RK	Sensor, PPM complete for SP-237H, SH-8141-C4C	275.00
62-0135RK	Sensor, LEL for NP-237H (GE-4641-S6-M), methane, propane, HC	275.00
62-0160A	Sensor replacement for SP-205A, SH-8619	195.00
62-0160ASC	Sensor replacement for SP-205ASC, SH-8621	195.00
65-0601RK	Sensor, Oxygen (O2) (OS-B3), for EAGLE, EAGLE 2, or RX-415	160.00
65-0612RK	Sensor, Oxygen, 2 wire with connector, GT (OS-BM1 with connector)	160.00
65-0613RK	Sensor, Oxygen (O2), Diffusion EAGLE	160.00
65-1025RK	Sensor, Oxygen (O2) 0 - 25%, capillary type, plug-in replacement for O2 assembly (65-2514RK & 65-2497RK)	140.00
65-1058RK	Sensor, Oxygen (O2), OS-BM1 for RX-8000, GX-8000, RX-515, -516, -517, GX-94	150.00
65-2003RK	Sensor, Carbon Monoxide (CO), ES-81, GX-82 type	175.00
65-2005RK	Sensor, Carbon Monoxide (CO), 0 - 500 ppm range, EAGLE/EAGLE 2	195.00
65-2007RK	Sensor, Carbon Monoxide (CO), ES-81 type with connector for 35-3000RK	200.00
65-2008RK	Sensor, Carbon Monoxide (CO) (ES-031), GX-94 / GX-8000	175.00
65-2009RK	Sensor, Carbon Monoxide (CO) sensor, H2 compensated, EAGLE	500.00
65-2024-01	Sensor, Sulfur Dioxide (SO2), 0 - 10 ppm, CT-7 style with added membrane	320.00

# Numerical Index

Part#	Description	Suggested Retail
65-2032	Sensor,H2S,7 Series,0-5000,10000ppm Max Overload .....	196.00
65-2033RK	Sensor, Hydrogen Sulfide (H2S), ES-87A, GX-82 type .....	175.00
65-2035RK	Sensor, Hydrogen Sulfide (H2S), 0 - 100 ppm range, EAGLE (standard H2S sensor) .....	195.00
65-2037RK	Sensor, Hydrogen Sulfide (H2S), ES-87 type with connector for 35-3000RK .....	200.00
65-2039RK	Sensor, Hydrogen Sulfide (H2S) 0-200 ppm / 1,000 ppm .....	480.00
65-2049-01	Sensor, Hydrogen Cyanide (HCN), 0 - 15 ppm, CT-7 style, explosion proof and non explosion proof .....	320.00
65-2051-01	Sensor, Chlorine (Cl2), 0 - 5 ppm / 0 - 10 ppm, CT-7 style with added membrane .....	450.00
65-2052-01	Sensor, Chlorine Dioxide (ClO2), 0 - 1 ppm / 0 - 3 ppm / 0 - 5 ppm, CT-7 style with added membrane .....	450.00
65-2053-01	Sensor, Ammonia (NH3) 0-500 ppm, Sensoric CT-7 style with added membrane .....	450.00
65-2054	Sensor,NH3,75, 100, or 200 ppm,CT-7 style .....	450.00
65-2054-01	Sensor, Ammonia (NH3) 0-75 ppm, Sensoric CT-7 style with added membrane .....	450.00
65-2300RK-ASH3	Sensor, Arsine (AsH3) sensor, 0 - 1.5 ppm, direct connection with conduit mounting, non explosion proof (no transmitter, no j-box).....	550.00
65-2300RK-HCN	Sensor, Hydrogen Cyanide (HCN) sensor, 0 - 15 ppm, direct connection with conduit mounting non explosion proof (no transmitter, no j-box).....	550.00
65-2300RK-NH3	Sensor, Ammonia (NH3) sensor, 0 - 75 ppm, direct connection with conduit mounting, non explosion proof (no transmitter, no j-box).....	550.00
65-2300RK-PH3	Sensor, Phosphine (PH3) sensor, 0 - 1 ppm, direct connection with conduit mounting, non explosion proof (no transmitter, no j-box).....	550.00
65-2300RK-SO2	Sensor, Sulfur Dioxide (SO2) sensor, 0 - 6 ppm, direct connection with conduit mounting, non explosion proof (no transmitter, no j-box).....	550.00
65-2301RK-ASH3	Sensor, Arsine (AsH3) sensor, 0 - 1.5 ppm, direct connection, non explosion proof with j-box (no transmitter) .....	650.00
65-2301RK-HCN	Sensor, Hydrogen Cyanide (HCN) sensor, 0 - 15 ppm, direct connection, non explosion proof with j-box (no transmitter) .....	650.00
65-2301RK-NH3	Sensor, Ammonia (NH3) sensor, 0 - 75 ppm, direct connection, non explosion proof with j-box (no transmitter) .....	650.00
65-2301RK-PH3	Sensor, Phosphine (PH3) sensor, 0 - 1 ppm, direct connection, non explosion proof with j-box (no transmitter) .....	650.00
65-2301RK-SO2	Sensor, Sulfur Dioxide (SO2) sensor, 0 - 6 ppm, direct connection, non explosion proof with j-box (no transmitter) .....	650.00
65-2301RKSS-ASH	Detector/XP stainless steel j-box assembly,ESM-01,ASH3 0-1.5 ppm .....	750.00
65-2301RKSS-HCN	Detector/XP stainless steel j-box assembly,ESM-01,HCN 0-15 ppm .....	750.00
65-2301RKSS-NH3	Detector/XP stainless steel j-box assembly,ESM-01,NH3 0-75 ppm.....	750.00
65-2301RKSS-PH3	Detector/XP stainless steel j-box assembly,ESM-01,PH3 0-1 ppm .....	750.00
65-2301RKSS-SO2	Detector/stainless steel j-box assembly,ESM-01,SO2 0-6 ppm .....	750.00
65-2302-CL2-10	Sensor, Chlorine (Cl2), 0 - 10 ppm, CT-7 style, non explosion proof.....	695.00
65-2302-CL2-3	Sensor, Chlorine (Cl2), 0 - 3 ppm, CT-7 style, non explosion proof .....	695.00
65-2302-CL2-5	Sensor, Chlorine (Cl2), 0 - 5 ppm, CT-7 style, non explosion proof .....	695.00
65-2302-CLO2-1	Sensor, Chlorine Dioxide (ClO2), 0 - 1 ppm, CT-7 style, non explosion proof .....	695.00
65-2302-CLO2-3	Sensor, Chlorine Dioxide (ClO2), 0 - 3 ppm, CT-7 style, non explosion proof .....	695.00
65-2302-CLO2-5	Sensor, Chlorine Dioxide (ClO2), 0 - 5 ppm, CT-7 style, non explosion proof .....	695.00
65-2302-HCN-15	Sensor, Hydrogen Cyanide (HCN), 0 - 15 ppm, CT-7 style, non explosion proof .....	595.00
65-2302-NH3-1	Sensor, Ammonia (NH3), 0 - 100 ppm, CT-7 style, non explosion proof .....	695.00
65-2302-NH3-2	Sensor, Ammonia (NH3), 0 - 200 ppm, CT-7 style, non explosion proof .....	695.00
65-2302-NH3-5	Sensor, Ammonia (NH3), 0 - 500 ppm, CT-7 style, non explosion proof .....	695.00
65-2302-NH3-75	Sensor, Ammonia (NH3), 0 - 75 ppm, CT-7 style, non explosion proof .....	695.00
65-2303-CL2-10	Sensor, Chlorine (Cl2), 0 - 10 ppm, CT-7 style with j-box, non explosion proof .....	795.00
65-2303-CL2-3	Sensor, Chlorine (Cl2), 0 - 3 ppm, CT-7 style with j-box, non explosion proof .....	795.00
65-2303-CL2-5	Sensor, Chlorine (Cl2), 0 - 5 ppm, CT-7 style with j-box, non explosion proof .....	795.00
65-2303-CLO2-1	Sensor, Chlorine Dioxide (ClO2), 0 - 1 ppm, CT-7 style with j-box, non explosion proof.....	795.00
65-2303-CLO2-3	Sensor, Chlorine Dioxide (ClO2), 0 - 3 ppm, CT-7 style with j-box, non explosion proof.....	795.00
65-2303-CLO2-5	Sensor, Chlorine Dioxide (ClO2), 0 - 5 ppm, CT-7 style with j-box, non explosion proof.....	795.00
65-2303-HCN-15	Sensor, Hydrogen Cyanide (HCN), 0 - 15 ppm, CT-7 style with j-box, non explosion proof .....	695.00
65-2303-NH3-1	Sensor, Ammonia (NH3), 0 - 100 ppm, CT-7 style with j-box, non explosion proof.....	795.00
65-2303-NH3-2	Sensor, Ammonia (NH3), 0 - 200 ppm, CT-7 style with j-box, non explosion proof.....	795.00
65-2303-NH3-5	Sensor, Ammonia (NH3), 0 - 500 ppm, CT-7 style with j-box, non explosion proof.....	795.00
65-2303-NH3-75	Sensor, Ammonia (NH3), 0 - 75 ppm, CT-7 style with j-box, non explosion proof .....	795.00
65-2303-SO2-10	Sensor, Sulfur Dioxide (SO2) 0 - 10 ppm, CT-7 style with j-box, non explosion proof.....	795.00
65-2306-CL2-3	Assembly,housing w/preamp,potted w/wires,CT-7 conduit mounting,Cl2, 0-3 ppm.....	165.00
65-2306-CL2-5	Assembly,housing w/preamp,potted w/wires,CT-7 conduit mounting,Cl2, 0-5 ppm.....	165.00

# Numerical Index

Part#	Description	Suggested Retail
65-2306-CLO2-1	Assembly,housing w/preamp,potted w/wires,CT-7 conduit mounting,CIO2, 0-1 ppm .....	165.00
65-2306-CLO2-5	Assembly,housing w/preamp,potted w/wires,CT-7 conduit mounting,CIO2, 0-5 ppm .....	165.00
65-2306-NH3-1	Assembly,housing w/preamp,potted w/wires,CT-7 conduit mounting,NH3, 0-100 ppm .....	165.00
65-2306-NH3-2	Assembly,housing w/preamp,potted w/wires,CT-7 conduit mounting,NH3, 0-200 ppm .....	165.00
65-2306-NH3-5	Assembly,housing w/preamp,potted w/wires,CT-7 conduit mounting,NH3, 0-500 ppm .....	165.00
65-2320RK	S2 Series Oxygen (O2) 0-25% sensor / transmitter (partial pressure), non explosion proof with j-box .....	520.00
65-2320RK-100	S2 Series Oxygen (O2) 0-100% sensor / transmitter (partial pressure), non explosion proof with j-box ...	520.00
65-2321RK	S2 Series Oxygen (O2) 0-25% sensor / transmitter, (capillary type) non explosion proof with j-box .....	510.00
65-2322-04SS	S2 detector/amp/j-box,CSA XP,oxy,capillary sensor,0 - 25% vol,w/remote detector/ splash guard/SS jbox .....	1,010.00
65-2322RK	S2 Series Capillary type, Oxygen (O2) 0-25 sensor/transmitter, explosion proof with j-box, CSA version ...	650.00
65-2322RKSS	S2 detector/amp/XP Stainless Steel j-box,CSA XP,oxygen,capillary sensor,0 - 25% volume .....	750.00
65-2330RK	S2 Series Hydrogen Sulfide (H2S) 0-100 ppm sensor / transmitter, non explosion proof with j-box .....	650.00
65-2330RKSS	S2 detector/amp/stainless steel j-box,non XPH2S,0 - 100 ppm .....	750.00
65-2331-04	S2 detector/amp/j-box,CSA XP,H2S,0 - 100 ppm,w/remote detector/splashguard .....	880.00
65-2331RK	S2 Series Hydrogen Sulfide (H2S) 0-100 ppm sensor / transmitter, explosion proof with j-box, CSA version.....	740.00
65-2331RKSS	S2 detector/amp/XP Stainless Steel j-box,CSA XPH2S,0 - 100 ppm.....	840.00
65-2333	S2 Series Hydrogen Cyanide (HCN) sensor / transmitter, explosion proof with j-box, CSA version, Available Q4 2022 .....	995.00
65-2335RK	S2 Series Carbon Monoxide (CO) 0-300 ppm sensor / transmitter, non explosion proof with j-box .....	650.00
65-2335RKSS	S2 detector/amp/stainless steel j-box,non XPCO,0 - 300 ppm.....	750.00
65-2336RK	S2 Series Carbon Monoxide (CO) 0-300 ppm sensor / transmitter, explosion proof with j-box, CSA version.....	740.00
65-2336RKSS	S2 detector/amp/XP Stainless Steel j-box,CSA XP,CO,0 - 300 ppm .....	840.00
65-2340RK-ASH3	S2 Series Arsine (AsH3) 0-1.5 ppm sensor / transmitter, non explosion proof with j-box .....	800.00
65-2340RK-HCN	S2 Series Hydrogen Cyanide (HCN) 0-15 ppm sensor / transmitter, non explosion proof with j-box .....	800.00
65-2340RK-NH3	S2 Series Ammonia (NH3) 0-75 ppm sensor / transmitter, non explosion proof with j-box .....	800.00
65-2340RK-PH3	S2 Series Phosphine (PH3) 0-1 ppm sensor / transmitter, non explosion proof with j-box .....	800.00
65-2340RK-SO2	S2 Series Sulfur Dioxide (SO2) 0-6 ppm sensor / transmitter, non explosion proof with j-box .....	800.00
65-2340RKSS-ASH	S2 detector/amp/XP Stainless Steel j-box,non XPEsm-01 type,AsH3,0 - 1.5 ppm .....	900.00
65-2340RKSS-HCN	S2 detector/amp/XP Stainless Steel j-box,non XPEsm-01 type,HCN,0 - 15 ppm .....	900.00
65-2340RKSS-NH3	S2 detector/amp/XP Stainless Steel j-box,non XPEsm-01 type,NH3,0 - 75 ppm .....	900.00
65-2340RKSS-PH3	S2 detector/amp/XP Stainless Steel j-box,non XPEsm-01 type,PH3,0 - 1 ppm .....	900.00
65-2340RKSS-SO2	S2 detector/amp/XP Stainless Steel j-box,non XPEsm-01 type,SO2,0 - 6 ppm .....	900.00
65-2341-CL2-10	S2 Series Chlorine (Cl2) 0 - 10 ppm, CT-7 style sensor / transmitter, non explosion proof with j-box ...	1,095.00
65-2341-CL2-3	S2 Series Chlorine (Cl2) 0 - 3 ppm, CT-7 style sensor / transmitter, non explosion proof with j-box .....	1,095.00
65-2341-CL2-5	S2 Series Chlorine (Cl2) 0 - 5 ppm, CT-7 style sensor / transmitter, non explosion proof with j-box .....	1,095.00
65-2341-CLO2-1	S2 Series Chlorine Dioxide (ClO2) 0 - 1 ppm, CT-7 style sensor / transmitter, non explosion proof with j-box .....	1,095.00
65-2341-CLO2-3	S2 Series Chlorine Dioxide (ClO2) 0 - 3 ppm, CT-7 style sensor / transmitter, non explosion proof with j-box .....	1,095.00
65-2341-CLO2-5	S2 Series Chlorine Dioxide (ClO2) 0 - 5 ppm, CT-7 style sensor / transmitter, non explosion proof with j-box .....	1,095.00
65-2341-HCN-15	S2 Series Hydrogen Cyanide (HCN) 0 - 15 ppm, CT-7 style sensor / transmitter, non explosion proof with j-box .....	895.00
65-2341-NH3-1	S2 Series Ammonia (NH3) 0 - 100 ppm, CT-7 style sensor / transmitter, non explosion proof with j-box	1,095.00
65-2341-NH3-2	S2 Series Ammonia (NH3) 0 - 200 ppm, CT-7 style sensor / transmitter, non explosion proof with j-box	1,095.00
65-2341-NH3-5	S2 Series Ammonia (NH3) 0 - 500 ppm, CT-7 style sensor / transmitter, non explosion proof with j-box	1,095.00
65-2341-NH3-75	S2 Series Ammonia (NH3) 0 - 75 ppm, CT-7 style sensor / transmitter, non explosion proof with j-box	1,095.00
65-2341-SO2-10	S2 Series Sulfur Dioxide (SO2) 0 - 10 ppm, CT-7 style sensor / transmitter, non explosion proof with j-box	895.00
65-2380	LEL, S2, MPS type sensor/transmitter/XP J-Box.....	1,000.00
65-2390RK-CH4	S-Series Methane (CH4) 0-100% LEL, IR sensor / transmitter with j-box, UL version .....	1,075.00
65-2390RK-HC	S-Series Hydrocarbon (isobutane) 0-100% LEL, IR sensor / transmitter with j-box, UL version .....	1,075.00
65-2391RK-02	S-Series Carbon Dioxide (CO2) 0-5,000 ppm, IR sensor / transmitter with j-box, UL version .....	1,075.00
65-2391RK-03	S-Series Carbon Dioxide (CO2) 0-5%, IR sensor / transmitter with j-box, UL version .....	1,075.00
65-2391RK-05	S-Series Carbon Dioxide (CO2) 0-50%, IR sensor / transmitter with j-box, UL version .....	1,075.00
65-2391RK-10	Detector/transmitter/j-box,IR CO2,0 - 100%, S series .....	1,075.00
65-2394RK-CH4	S2 Series IR, Methane (CH4) 0-100% LEL sensor / transmitter with explosion proof j-box .....	995.00
65-2394RK-CH4-4	S2 Series IR Methane (CH4) 0-100% LEL, sensor / transmitter, with j-box, remote detector and calibration adapter/splash guard .....	1,135.00



# Numerical Index

Part#	Description	Suggested Retail
65-2394RK-HC	S2 Series IR, Hydrocarbon (HC) 0-100% LEL sensor / transmitter with explosion proof j-box	995.00
65-2394RKSS-CH4	S2 detector/transmitter/XP Stainless Steel j-box,IR LEL,CH4,explosion proof	1,095.00
65-2394RKSS-HC	S2 detector/transmitter/XP Stainless Steel j-box,IR LEL,HC,explosion proof	1,095.00
65-2395RK-CH4	S2 Series IR, Methane (CH4) 0-100% volume sensor / transmitter with explosion proof j-box	1,095.00
65-2395RK-CH4-1	S2 Series IR Methane (CH4) 0-100% volume, sensor / transmitter, with j-box, remote detector and splash guard/cal cup	1,185.00
65-2395RK-CH4-4	S2 detector/xmitter/j-box,IR 0 - 100% volume,XP,w/remote detector/cal adptr/splash guard	1,235.00
65-2395RKSS-CH4	S2 detector/transmitter/XP Stainless Steel j-box,IR 0 - 100% volume,CH4	1,195.00
65-2396RK-02	S2 Series IR Carbon Dioxide (CO2) 0-5,000 ppm sensor / transmitter, explosion proof with j-box, UL version	995.00
65-2396RK-03	S2 Series IR Carbon Dioxide (CO2) 0-5% sensor / transmitter, explosion proof with j-box, UL version	995.00
65-2396RK-05	S2 Series IR Carbon Dioxide (CO2) 0-50% sensor / transmitter, explosion proof with j-box, UL version	995.00
65-2396RK-10	S2 Series IR Carbon Dioxide (CO2) 0-100% sensor / transmitter, explosion proof with j-box, UL version	995.00
65-2396RKSS-02	S2 detector/transmitter/XP Stainless Steel j-box,IR,0 - 5,000 ppm CO2	1,095.00
65-2396RKSS-03	S2 detector/transmitter/XP Stainless Steel j-box,IR,0 - 5% CO2	1,095.00
65-2396RKSS-05	S2 detector/transmitter/XP Stainless Steel j-box,IR,0 - 50% CO2	1,095.00
65-2396RKSS-10	S2 detector/transmitter/XP Stainless Steel j-box,IR,0 - 100% CO2	1,095.00
65-2397RK-01	S2 detector/transmitter/j-box,IR,0 - 10,000 ppm CO2,non XP w/replaceable sensor	895.00
65-2397RK-02	S2 Series IR Carbon Dioxide (CO2) 0-5,000 ppm, non explosion proof with j-box	895.00
65-2397RK-03	S2 Series IR Carbon Dioxide (CO2) 0-5%, non explosion proof with j-box	895.00
65-2397RK-05	S2 Series IR Carbon Dioxide (CO2) 0-50%, non explosion proof with j-box	895.00
65-2397RK-10	S2 Series IR Carbon Dioxide (CO2) 0-100%, non explosion proof with j-box	895.00
65-2397RKSS-02	S2 detector/transmitter/XP Stainless Steel j-box,IR,0-5000 ppm CO2,non-explosion proof	995.00
65-2397SS-10	S2 detector/transmitter/XP Stainless Steel j-box,IR,0-100% volume CO2,non-explosion proof	995.00
65-2400RK	S-Series LEL sensor (catalytic) / transmitter with explosion proof j-box, UL version	800.00
65-2400RK-05	S-Series LEL sensor (catalytic) / transmitter with explosion proof j-box, CSA version	850.00
65-2405-NS	S2 LEL Transmitter/detector/j-box,4 - 20 mA,without detector,Specify Gas	380.00
65-2405RK	S2 Series LEL 0-100% sensor (catalytic) / transmitter with explosion proof j-box, UL version, (specify calibration)	580.00
65-2405RK-04	S2 Series LEL 0-100% sensor (catalytic) / transmitter with j-box, (specify calibration), remote detector and calibration adapter/splash guard	720.00
65-2405RK-05	S2 Series LEL 0-100% sensor (catalytic) / transmitter with explosion proof j-box, CSA version, (specify calibration)	630.00
65-2405RK-NJB	S2 LEL Transmitter/detector, no junction box,4 - 20 mA	490.00
65-2405RKSS	S2 LEL Transmitter/detector/XP Stainless Steel j-box,4 - 20 mA, Specify Calibration	680.00
65-2405RKSS-05	S2 LEL Xmitter/detector/XP SS j-box,4 - 20 mA, CSA Version, Specify Calibration	730.00
65-2408	Sensor housing/preamp, potted,with wires CO CT 7 CSA RF resistant	150.00
65-2418	Sensor housing/preamp,potted,w/wires,H2S CT-7 CSA,RF resistant	150.00
65-2422RK-05	S-Series Hydrogen Sulfide (H2S) sensor / transmitter with explosion proof j-box, CSA version	940.00
65-2424RK	Hydrogen Sulfide (H2S) sensor / transmitter in plastic enclosure (non explosion proof)	295.00
65-2425	Sensor, Hydrogen Cyanide (HCN), direct connection (no transmitter, no j-box), Available Q4 2022	650.00
65-2427RK-05	Sensor, Hydrogen Sulfide (H2S) with j-box, CSA version	495.00
65-2427RKSS-05	Sensor/XP stainless steel j-box,H2S,CT7,CSA version	595.00
65-2428	Sensor, Hydrogen Sulfide (H2S), direct connection (no transmitter, no j-box)	400.00
65-2428-01	Sensor assy,0-100 ppm H2S,w/Preamp,RF resistant,for frequent H2S exposure applications	680.00
65-2428-NS	Sensor assy, H2S, w/Preamp, CT-7,CSA classified,RF resistant,no Sensor	255.00
65-2429	Sensor, Hydrogen Cyanide (HCN) with j-box, Available Q4 2022	750.00
65-2432RK-05	S-Series Carbon Monoxide (CO) sensor / transmitter with j-box, CSA version	940.00
65-2434RK	Carbon Monoxide (CO) sensor / transmitter in plastic enclosure (non explosion proof)	295.00
65-2435RK	Sensor, Carbon Monoxide (CO), H2 compensated, S Series sensor / transmitter, with j-box	1,400.00
65-2437RK-05	Sensor, Carbon Monoxide (CO) with j-box, CSA version	495.00
65-2437RKSS-05	Sensor/XP Stainless Steel j-box,CO,CT7,CSA version	595.00
65-2438	Sensor, Carbon Monoxide (CO), direct connection (no transmitter, no j-box), CSA version	400.00
65-2442-2000-05	Transmitter/sensor/j-box,S2 series,H2 specific MOS,0-2000 ppm linearized,CSA type	845.00
65-2442RK-1000	S2 Series Hydrogen (H2) specific 0 - 1,000 ppm sensor / transmitter with explosion proof j-box, UL version	795.00
65-2442RK-2000	S2 Series Hydrogen (H2) specific 0 - 2,000 ppm sensor / transmitter with explosion proof j-box, CSA version	795.00
65-2442RKSS-2K	Transmitter/sensor/XP Stainless Steel j-box,S2 series,H2 specific MOS,0-2000 ppm linearized	895.00
65-2443-100	Transmitter/sensor/j-box,S2 series,H2 specific MOS,0-100 ppm linearized	820.00

# Numerical Index

Part#	Description	Suggested Retail
65-2443-100-05	Transmitter/sensor/j-box,S2 series,H2 specific MOS,0-100 ppm linearized,CSA version .....	870.00
65-2443-1000	S2 Series Hydrogen (H2) specific 0 - 1,000 ppm sensor/transmitter with explosion proof j-box, UL .....	820.00
65-2443-1000-05	S2 Series Hydrogen (H2) specific 0 - 1,000 ppm sensor/transmitter with explosion proof j-box, CSA .....	870.00
65-2443-2000	S2 Series Hydrogen (H2) specific 0 - 2,000 ppm sensor/transmitter with explosion proof j-box, UL .....	820.00
65-2443-2000-05	S2 Series Hydrogen (H2) specific 0 - 2,000 ppm sensor/transmitter with explosion proof j-box, CSA .....	870.00
65-2443-500	S2 Series Hydrogen (H2) specific 0 - 500 ppm sensor/transmitter with explosion proof j-box, UL .....	820.00
65-2443-500-05	S2 Series Hydrogen (H2) specific 0 - 500 ppm sensor/transmitter with explosion proof j-box, CSA .....	870.00
65-2444-500	S2 Series MOS, Hexane (C6H14) 0-500 ppm linearized sensor/transmitter with explosion proof j-box, UL .....	820.00
65-2444-500-05	S2 Series MOS, Hexane (C6H14) 0-500 ppm linearized sensor/transmitter with explosion proof j-box, CSA .....	870.00
65-2450RK	S-Series LEL Hydrogen (H2) specific sensor / transmitter with explosion proof j-box, UL version .....	950.00
65-2450RK-05	S-Series LEL Hydrogen (H2) specific sensor / transmitter with explosion proof j-box, CSA version .....	1,000.00
65-2451RK	S2 Series Hydrogen (H2) specific 0 - 100% LEL sensor/transmitter with explosion proof j-box, UL .....	730.00
65-2451RK-04	S2 Series Hydrogen (H2) specific 0-100% LEL (catalytic) sensor/transmitter with j-box, remote detector and calibration adapter/splash guard .....	870.00
65-2451RK-05	S2 Series Hydrogen (H2) specific 0 - 100% LEL sensor/transmitter with explosion proof j-box, CSA .....	780.00
65-2451RKSS	S2 LEL xmtr/detector/XP Stainless Steel j-box,4-20 mA,H2 specific.....	830.00
65-2451RKSS-05	S2 LEL xmtr/detector/XP Stainless Steel j-box,4-20 mA,H2 specific, CSA Vesrion .....	920.00
65-2462RK	S2 Series TC, Hydrogen (H2) 0-10% vol sensor / transmitter, explosion proof with j-box .....	1,100.00
65-2462RK-04	S2 Transmitter/det/j-box,4-20 mA,0-10% Vol H2,TC sensor,w/remote det & cal adptr/splashguard .....	1,240.00
65-2463RK	S2 Series Methane (CH4) 0-100% vol sensor (TC) / transmitter, explosion proof with j-box .....	1,100.00
65-2463RK-12	S2 Transmitter/detector/j-box,4 - 20 mA, 0-100% volume CH4,detector w/out guard .....	1,100.00
65-2470RK	Sensor assy,CO,H2 compensated,(preamp & sensor) .....	760.00
65-2471RK	Sensor housing/preamp,potted,w/wires,CO,H2 comp. ....	160.00
65-2480-06	J-box w/detectors,LEL/Oxygen,explosion proof .....	775.00
65-2480RK-01	Multi-sensor, direct connection for LEL (catalytic) / O2 / H2S with j-box, UL version .....	1,200.00
65-2480RK-02	Multi-sensor, direct connection for LEL (catalytic) / O2 / CO with j-box, UL version .....	1,200.00
65-2480RK-03	Multi-sensor, direct connection for LEL (catalytic) / H2S with j-box, UL version .....	875.00
65-2480RK-04	Multi-sensor, direct connection for LEL (catalytic) / CO with j-box, UL version .....	875.00
65-2480RK-05	Multi-sensor, direct connection for LEL (catalytic) / H2S / CO with j-box, CSA version .....	1,250.00
65-2480RK-51	Multi-sensor, direct connection for LEL (catalytic) / O2 / H2S with j-box, CSA version .....	1,300.00
65-2480RK-52	Multi-sensor, direct connection for LEL (catalytic) / O2 / CO with j-box, CSA version .....	1,300.00
65-2480RK-53	Multi-sensor, direct connection for LEL (catalytic) / H2S with j-box, CSA version .....	925.00
65-2480RK-54	Multi-sensor, direct connection for LEL (catalytic) / CO with j-box, CSA version .....	925.00
65-2481-50	J-box w/detectors,LEL/Oxygen/H2S/CO,CSA heads only,explosion proof .....	1,850.00
65-2481RK	Multi-sensor, direct connection for LEL (catalytic) / O2 / H2S / CO with j-box.....	1,800.00
65-2481RK-01	Multi-sensor, direct connection for IR LEL (CH4) / O2 / H2S / CO with j-box .....	2,200.00
65-2481RK-02	Multi-sensor, direct connection for IR LEL (HC) / O2 / H2S / CO with j-box .....	2,200.00
65-2482RK-01	Multi-sensor, direct connection for IR LEL (CH4) / O2 / H2S with j-box, UL version.....	1,700.00
65-2482RK-02	Multi-sensor, direct connection for IR LEL (CH4) / O2 / CO with j-box, UL version .....	1,700.00
65-2482RK-03	Multi-sensor, direct connection for IR LEL (CH4) / H2S with j-box, UL version .....	1,300.00
65-2482RK-04	Multi-sensor, direct connection for IR LEL (CH4) / CO with j-box, UL version .....	1,300.00
65-2482RK-05	Multi-sensor, direct connection for IR LEL (CH4) / O2 / with j-box .....	1,300.00
65-2482RK-06	Multi-sensor, direct connection for IR LEL (CH4) / H2S / CO with j-box .....	1,700.00
65-2483RK-01	Multi-sensor, direct connection for IR LEL (HC) / O2 / H2S with j-box, UL version .....	1,700.00
65-2483RK-02	Multi-sensor, direct connection for IR LEL (HC) / O2 / CO with j-box, UL version .....	1,700.00
65-2483RK-03	Multi-sensor, direct connection for IR LEL (HC) / H2S with j-box, UL version .....	1,300.00
65-2483RK-04	Multi-sensor, direct connection for IR LEL (HC) / CO with j-box, UL version .....	1,300.00
65-2483RK-05	Multi-sensor, direct connection for IR LEL (HC) / O2 with j-box, UL version .....	1,300.00
65-2483RK-06	Multi-sensor, direct connection for IR LEL (HC) / H2S / CO with j-box, UL version .....	1,700.00
65-2484RK-06	Multi-sensor, direct connection for LEL (catalytic) / O2 / H2S / SO2 with j-box (not explosion proof) ...	1,950.00
65-2484RK-34	Multi-sensor, direct connection for IR LEL (CH4) / H2S / CO / NH3 with j-box (not explosion proof).....	2,450.00
65-2485RK-02	Multi-sensor, direct connection for H2S / O2 / CO with j-box, UL version .....	1,350.00
65-2490RK	Sensor housing/preamp,potted,w/wires, RF Hardened, H2S CT-7 Non-XP .....	120.00
65-2491RK	Sensor housing/preamp,potted,w/wires,RF Hardened, CO CT-7 Non-XP .....	120.00
65-2492RK	Sensor housing/preamp,potted,w/wires,Oxy Non-XP .....	70.00
65-2494RK	Sensor, Oxygen (O2) 0 - 25%, non explosion proof direct connect, capillary type, no j-box .....	320.00
65-2494RK-NS	Detector assembly,Oxy Non-XP replaceable sensor type,w/out sensor .....	190.00
65-2495RK	Sensor, Hydrogen Sulfide (H2S) 0 - 100 ppm, non explosion proof direct connect, no j-box.....	320.00
65-2495RK-NS	Detector assembly,0 - 100 ppm H2S, Non-XP,without sensor .....	160.00

# Numerical Index

Part#	Description	Suggested Retail
65-2496RK	Sensor, Carbon Monoxide (CO) 0 - 300 ppm, non explosion proof direct connect, no j-box	320.00
65-2496RK-NS	Detector assembly,0 - 300 ppm CO, Non-XP replaceable sensor type, w/o sensor	160.00
65-2497-100	Detector/J-box assembly,non-XP oxygen w/replaceable sensor,with 100 ft cable	620.00
65-2497-SS	Detector/stainless steel j-box assembly,non-XP oxygen w/replaceable sensor	520.00
65-2497RK	Sensor, Oxygen (O2) 0 - 25%, direct connect, capillary type, non explosion proof, with j-box	420.00
65-2498RK	Sensor, Hydrogen Sulfide (H2S) 0 - 100 ppm, direct connect, non explosion proof, with j-box	440.00
65-2499RK	Sensor, Carbon Monoxide (CO) 0 - 300 ppm, direct connect, non explosion proof, with j-box	440.00
65-2502-C	Det assembly,Oxy,cond mounting,jbox,IS, partial Pressure type,CO2 resistant	780.00
65-2502RK	Sensor, Oxygen (O2) with j-box and I.S. barrier, partial pressure type, (no explosion proof approval)	350.00
65-2504RK	S-Series Oxygen (O2) sensor (partial pressure type) / transmitter / j-box (non explosion proof)	720.00
65-2504RKH	Detector/transmitter assembly, Oxy, cond mounting, IS, high humidity (partial pressure)	760.00
65-2506RK	Sensor, Oxygen (O2), conduit mounting, capillary, Cititech (old style)	620.00
65-2510-C	Detector assy,oxygen,conduit mtg,IS,w/OS-C11 CO2 resistant sensor	750.00
65-2510-TFX	Detector assy,oxygen,conduit mtg,IS,w/OS-B11TFX solvent resistant sensor	480.00
65-2510RK	Sensor, Oxygen (O2) 0 -25%, non explosion proof direct connect, partial pressure type (no transmitter, no j-box)	250.00
65-2510RKH	Detector assembly, Oxygen (O2), conduit mounting, IS, with OS-B11H, (high humidity use)	270.00
65-2514RK	Sensor, Oxygen (O2), capillary type, explosion proof, (no transmitter, no j-box), CSA version	360.00
65-2514RK-NS	Detector assy,oxygen,XP,capillary type,conduit mtg,w/out sensor	240.00
65-2515-DIS	Detector/j-box,explosion proof capillary type oxygen,cond mounting,with splashguard	555.00
65-2515RK	Sensor, Oxygen (O2), capillary type, explosion proof with conduit mounting and j-box (no transmitter), CSA version	495.00
65-2516RK	S-Series Oxygen (O2) sensor (capillary type) / transmitter, explosion proof with conduit mounting j-box, CSA version	800.00
65-2517RK	Detector hsg/temp comp PCB,potted,w/wires,XP capillary type oxy detector	150.00
65-2640RK	M2A, LEL 0-100% sensor (catalytic) / transmitter with j-box, (specify calibration), UL version	1,250.00
65-2640RK-01	M2A sensor/transmitter w/j-box,%LEL,horn/strobe,Specify Calibration	1,475.00
65-2640RK-03	M2A, LEL 0-100% sensor (catalytic) / transmitter with j-box, (specify calibration), remote detector and calibration adapter, UL version	1,370.00
65-2640RK-04	M2A, LEL 0-100% sensor (catalytic) / transmitter with j-box, (specify calibration), remote detector and calibration adapter/splash guard, UL version	1,385.00
65-2640RK-05	M2A, LEL 0-100% sensor (catalytic) / transmitter with j-box, (specify calibration), cCSAus version	1,300.00
65-2640RK-05-01	M2A sensor/transmitter w/j-box,%LEL,CSA version,horn/strobe w/ red lens,Specify Calibration	1,525.00
65-2640RK-05-04	M2A, LEL 0-100% sensor (catalytic) / transmitter with j-box, (specify calibration), remote detector and calibration adapter/splash guard, cCSAus version	1,460.00
65-2640RK-05SS	M2A sensor/transmitter w/SS j-box,%LEL,CSA version, Specify Calibration	1,700.00
65-2640RK-06	M2A sensor/xmitter w/j-box,%LEL,4-wire horn/strobe w/red lens,Specify Calibration	1,530.00
65-2641RK	M2A, Hydrogen (H2) specific LEL 0-100% sensor (catalytic) / transmitter with j-box, UL version	1,400.00
65-2641RK-01B	M2A sensor/transmitter w/j-box,%LEL,horn/strobe with blue lens,hydrogen specific	1,275.00
65-2641RK-03	M2A, Hydrogen (H2) specific LEL 0-100% sensor (catalytic) / transmitter with j-box, remote detector and calibration adapter, UL version	1,525.00
65-2641RK-04	M2A, Hydrogen (H2) specific LEL 0-100% sensor (catalytic) / transmitter with j-box, remote detector and calibration adapter/splash guard, UL version	1,540.00
65-2641RK-05	M2A, Hydrogen (H2) specific LEL 0-100% sensor (catalytic) / transmitter with j-box, CSA version	1,400.00
65-2641RK-05-04	M2A sensor/xmitter w/j-box,%LEL,hydrogen specific,w/remote det & cal adapter,CSA version	1,540.00
65-2641RK-06R04	M2A sensor/xmitter w/j-box,%LEL,4-wire horn/strobe w/red lens,H2 specific,w/rem det and cal adptr	1,420.00
65-2641RK-12	M2A transmitter,hydrogen specific LEL, w/o detector	1,250.00
65-2642	M2A, Hydrogen Cyanide (HCN) 0-15 ppm, sensor / transmitter with j-box, cCSAus version, Available Q4 2022	1,550.00
65-2643RK-05	M2A, Oxygen (O2) 0-25%, sensor / transmitter with j-box, cCSAus version	1,300.00
65-2643RK-05-04	M2A, Oxygen (O2) 0-25%, sensor / transmitter with j-box, remote detector and calibration adapter/splash guard, cCSAus version	1,440.00
65-2643RK-05SS	M2A sensor/Xmtr/SS j-box,XP0 - 25% Oxygen,CSA version,capillary type	1,700.00
65-2643RK-OR	M2A sensor/xtr w/j-box,0-25% Oxygen,w/horn/strobe,remote det,battery clamp pwr cable	1,700.00
65-2643RK0504SS	M2A sensor/Xmtr/j-box,XP,0-25% oxy,CSA version,capillary type,w/remote det/SS jobx & cal adptr	1,580.00
65-2644RK	M2A, Oxygen (O2) 0-25%, sensor / transmitter with j-box, partial pressure sensor	1,200.00
65-2644RK-C	M2A sensor/transmitter w/j-box,0 25% Oxygen,CO2 resistant partial pressure sensor	1,700.00
65-2645RK-05	M2A, Hydrogen Sulfide (H2S) 0-100 ppm, sensor / transmitter with j-box, cCSAus version	1,400.00
65-2645RK-05-04	M2A, Hydrogen Sulfide (H2S) 0-100 ppm, sensor / transmitter with j-box, remote detector and calibration adapter/splash guard, cCSAus version	1,540.00
65-2645RK-05-07	M2A sensor/transmitter w/j-box,0 - 100 ppm H2S,CSA version,for repeated H2S exposure applications	1,550.00

# Numerical Index

Part#	Description	Suggested Retail
65-2645RK-05-08	M2A sensor/transmitter w/j-box,0 - 100 ppm H2S,CSA version,with horn strobe .....	1,550.00
65-2645RK-05SS	M2A sensor/transmitter w/SS j-box,0 - 100 ppm H2S,CSA version .....	1,900.00
65-2645RK-105	M2A sensor/transmitter w/j-box,0 - 100 ppm H2S,CSA version,w/LCD display .....	1,400.00
65-2645RK-HR	Rig Monitor system with M2A transmitter, 0-100 ppm H2S, horn, strobe, remote mount sensor, and power cable with battery clamp .....	1,850.00
65-2645RK0504SS	M2A sensor/transmitter w/j-box,0-100ppm H2S,CSA ver,,w/remote det/SS j-box & cal adptr/ splash guard .....	1,640.00
65-2646RK-05	M2A, Carbon Monoxide (CO) 0-300 ppm, sensor / transmitter with j-box, cCSAus version .....	1,400.00
65-2646RK-05-01	M2A, Carbon Monoxide (CO) 0-300 ppm, sensor / transmitter with j-box, RF resistant, CSA version ...	1,400.00
65-2646RK-05-02	M2A sensor/transmitter w/j-box,0 - 200 ppm CO,RF resistant,CSA version.....	1,400.00
65-2646RK-05-04	M2A sensor/xmitter w/j-box,0-300 ppm CO,CSA version,w/remote det & cal adptr/splash guard .....	1,540.00
65-2646RK-05-5W	M2A sensor/transmitter w/j-box,0 - 300 ppm CO,CSA version.....	1,265.00
65-2646RK-05SS	M2A sensor/transmitter w/SS j-box,0 - 300 ppm CO,CSA version .....	1,800.00
65-2647RK	M2A, Methane (CH4) 0-9,000 ppm, sensor / transmitter with j-box .....	1,325.00
65-2647RK-05	M2A, Methane (CH4) 0-9,000 ppm, sensor / transmitter with j-box, cCSAus version .....	1,375.00
65-2648RK-ASH3	M2A, Arsine (AsH3) 0-1.5 ppm, transmitter, ESM-01 style sensor with j-box .....	1,450.00
65-2648RK-HCN	M2A, Hydrogen Cyanide (HCN) 0-15 ppm, transmitter, ESM-01 style sensor with j-box .....	1,450.00
65-2648RK-HCNNS	M2A sensor/transmitter w/j-box,ESM-01,non-explosion proof,HCN 0-15 ppm,w/out sensor .....	1,350.00
65-2648RK-NH3	M2A, Ammonia (NH3) 0-75 ppm, transmitter, ESM-01 style sensor with j-box .....	1,450.00
65-2648RK-PH3	M2A, Phosphine (PH3) 0-1 ppm, transmitter, ESM-01 style sensor with j-box .....	1,450.00
65-2648RK-SO2	M2A, Sulfur Dioxide (SO2) 0-6 ppm, transmitter, ESM-01 style sensor with j-box .....	1,450.00
65-2649RK-CH4	M2A, IR Methane (CH4) LEL 0-100% sensor / transmitter, with j-box, cULus version .....	1,600.00
65-2649RK-CH4-4	M2A, IR Methane (CH4) LEL 0-100% sensor / transmitter with j-box, remote detector and calibration adapter/splash guard, cULus version .....	1,740.00
65-2649RK-CH4-5	M2A sensor/transmitter w/j-box,IR CH4,0 - 5.00% volume .....	1,600.00
65-2649RK-CH401	M2A sensor/transmitter w/j-box,IR LEL CH4,horn/strobe .....	1,800.00
65-2649RK-CH4SS	M2A sensor/transmitter w/SS j-box,IR LEL CH4 .....	2,000.00
65-2649RK-HC	M2A, IR Hydrocarbons (isobutane) LEL 0-100% sensor / transmitter with j-box, cULus version .....	1,600.00
65-2649RK-HC-01	M2A sensor/transmitter w/j-box,IR LEL HC,horn/strobe .....	1,800.00
65-2649RK-HC-04	M2A, IR Hydrocarbons (isobutane) LEL 0-100% sensor / transmitter with j-box, remote detector and calibration adapter/splash guard, cULus version .....	1,740.00
65-2649SS-CH4-4	M2A sensor/xmitter w/j-box,IR LEL CH4,w/remote det in SS jbox,cal adapter/splash guard .....	1,840.00
65-2658RK-CH4	M2A, IR Methane (CH4) vol 0-100% sensor / transmitter, with j-box, cULus version .....	1,700.00
65-2658RK-CH4-4	M2A, IR Methane (CH4) vol 0-100% sensor / transmitter, with j-box, remote detector and calibration adapter/splash guard, cULus version .....	1,840.00
65-2658RK-HC	M2A sensor/transmitter, w/ j-box, IR HC, 0- 100% volume. ....	1,700.00
65-2660RK-02	M2A, IR Carbon Dioxide (CO2) 0-5,000 ppm, sensor / transmitter with j-box, cULus version .....	1,600.00
65-2660RK-02-04	M2A sensor/transmitter w/j-box,CO2,0 - 5000 ppm,w/remote detector and cal adapter/splash guard	1,740.00
65-2660RK-02SS	M2A sensor/transmitter w/SS j-box,CO2,0 - 5,000 ppm .....	2,000.00
65-2660RK-03	M2A, IR Carbon Dioxide (CO2) 0-5%, sensor / transmitter with j-box, cULus version .....	1,600.00
65-2660RK-03-04	M2A, IR Carbon Dioxide (CO2) 0-5%, sensor / transmitter with j-box, remote detector and calibration adapter/splash guard, cULus version .....	1,740.00
65-2660RK-05	M2A, IR Carbon Dioxide (CO2) 0-50%, sensor / transmitter with j-box, cULus version .....	1,600.00
65-2660RK-10	M2A, IR Carbon Dioxide (CO2) 0-100%, sensor / transmitter with j-box, cULus version .....	1,600.00
65-2661RK-01	M2A sensor/transmitter w/j-box,CO2,0 - 9,000 ppm,non XP w/replaceable sensor .....	1,500.00
65-2661RK-02	M2A, IR Carbon Dioxide (CO2) 0-5,000 ppm, sensor / transmitter, non explosion proof with j-box .....	1,500.00
65-2661RK-03	M2A, IR Carbon Dioxide (CO2) 0-5%, sensor / transmitter, non explosion proof with j-box .....	1,500.00
65-2661RK-03-04	M2A sensor/xmitter w/j-box,CO2,0 - 5%,non XP w/repl. sensor,w/remote det/cal adptr/splash guard	1,640.00
65-2661RK-04	M2A sensor/transmitter w/ j- box, CO2, 0-20%,non XP w/replaceable sensor .....	1,300.00
65-2661RK-05	M2A, IR Carbon Dioxide (CO2) 0-50%, sensor / transmitter, non explosion proof with j-box .....	1,500.00
65-2661RK-10	M2A, IR Carbon Dioxide (CO2) 0-100%, sensor / transmitter, non explosion proof with j-box .....	1,500.00
65-2662RK	M2A, Hydrogen Sulfide (H2S) 0-100 ppm, CT-7 style sensor / transmitter with j-box, non explosion proof .....	1,350.00
65-2663RK	M2A, Carbon Monoxide (CO) 0-300 ppm, CT-7 style sensor / transmitter with j-box, non explosion proof .....	1,350.00
65-2663RK-04	M2A sensor/xmitter w/j-box,0 - 300 ppm CO,non-XP,w/remote det/cal adapter/splash guard .....	1,390.00
65-2666RK	M2A, Oxygen (O2) 0 - 25% sensor (capillary type) / transmitter with j-box (non explosion proof) .....	1,240.00
65-2666RK-04	M2A sensor/xmitter w/j-box,0-25% oxygen,capillary type,non XP,w/remote det & cal adptr .....	1,380.00
65-2666RK-06	M2A sensor/xmitter w/j-box,0 - 25% O2,capillary type,non XP,w/white horn/strobe & red lens .....	1,440.00
65-2667RK-CH4	M2A, Methane (CH4) 0-100% LEL, transmitter with plug-in style sensor and j-box, UL 2075 approval ...	1,800.00
65-2667RK-HC	M2A, Hydrocarbons (HC) LEL 0-100% transmitter with plug-in style sensor and j-box .....	1,800.00

# Numerical Index

Part#	Description	Suggested Retail
65-2670-CL2-10	M2A, Chlorine (Cl2) 0 - 10 ppm, CT-7 style sensor / transmitter, non explosion proof with j-box	1,600.00
65-2670-CL2-104	M2A, Chlorine (Cl2) 0 - 10 ppm, CT-7 style sensor / transmitter, non explosion proof with j-box, remote mount and calibration adapter/splash guard	1,740.00
65-2670-CL2-3	M2A, Chlorine (Cl2) 0 - 3 ppm, CT-7 style sensor / transmitter, non explosion proof with j-box	1,600.00
65-2670-CL2-5	M2A, Chlorine (Cl2) 0 - 5 ppm, CT-7 style sensor / transmitter, non explosion proof with j-box	1,600.00
65-2670-CLO2-1	M2A, Chlorine Dioxide (ClO2) 0 - 1 ppm, CT-7 style sensor / transmitter, non explosion proof with j-box	1,600.00
65-2670-CLO2-3	M2A, Chlorine Dioxide (ClO2) 0 - 3 ppm, CT-7 style sensor / transmitter, non explosion proof with j-box	1,600.00
65-2670-CLO2-34	M2A, Chlorine Dioxide (ClO2) 0 - 3 ppm, CT-7 style sensor / transmitter, non explosion proof with j-box, remote mount and calibration adapter/splash guard	1,740.00
65-2670-CLO2-5	M2A, Chlorine Dioxide (ClO2) 0 - 3 ppm, CT-7 style sensor / transmitter, non explosion proof with j-box	1,600.00
65-2670-HCN-15	M2A, Hydrogen Cyanide (HCN) 0 - 15 ppm, CT-7 style sensor / transmitter, non explosion proof with j-box	1,550.00
65-2670-NH3-1	M2A, Ammonia (NH3) 0 - 100 ppm, CT-7 style sensor / transmitter, non explosion proof with j-box	1,600.00
65-2670-NH3-2	M2A, Ammonia (NH3) 0 - 200 ppm, CT-7 style sensor / transmitter, non explosion proof with j-box	1,600.00
65-2670-NH3-5	M2A, Ammonia (NH3) 0 - 500 ppm, CT-7 style sensor / transmitter, non explosion proof with j-box	1,600.00
65-2670-NH3-5-4	M2A, Ammonia (NH3) 0 - 500 ppm, CT-7 style sensor / transmitter, non explosion proof with j-box, remote mount and calibration adapter/splash guard	1,740.00
65-2670-NH3-75	M2A, Ammonia (NH3) 0 - 75 ppm, CT-7 style sensor / transmitter, non explosion proof with j-box	1,600.00
65-2670-NH375-1	M2A sensor/transmitter w/j-box,CT-7,non-explosion proof,NH3 0 - 75 ppm,horn/strobe	1,545.00
65-2670-SO2-10	M2A, Sulfur Dioxide (SO2) 0 - 10 ppm, CT-7 style sensor / transmitter, non explosion proof with j-box	1,550.00
65-2698	T2A sensor/transmitter with j-box, 0-5% Carbon Dioxide (CO2) IR sensor	1,520.00
65-7001RK	Dummy sensor for GX-2009, GX-2012, or GX-6000 empty sensor slots (LEL, O2, H2S, & CO)	5.00
65-7003	Dummy sensor for GX-6000 empty smart sensors slots	5.00
65-7004	Dummy sensor for GX-3R/GX-3R Pro	5.00
65-FC-004	Tape FC-004 for Hydrogen Bromide HBr, 0 - 0.5 ppm, FP-301	170.00
65-FC-006	Tape, HF, 0-6.0 ppm, Model FP-300	170.00
65-FC-010	Tape FC-010 for Ammonia NH3, FP-300	170.00
65-FC-023	Tape, HF/BF3, 0-3 ppm, Model FP-300A	170.00
65-FC-023A	Tape,C4F6/C5F8,0-5.00 ppm, Model FP-300AGZS	170.00
65-FC-303	Tape FC-303 for Chlorine Cl2, 0 - 0.5 ppm, FP-300	170.00
65-FCL-001	Tape FCL-001 for Arsine AsH3, FP-300/-301	170.00
65-FCL-002E	Tape, FP-300,0 - 10 ppm H2S	170.00
65-FCL-015	Tape FCL-015 for Chlorine Cl2, FP-300	170.00
65-FCL-018	Tape FCL-018 for formaldehyde, for FP-330	130.00
65-SENSORSET	Sensor set for GX-2009, four sensors including LEL, O2, H2S, and CO	520.00
65-TAB-008	Detection tablets for FP-31/-30/-40, box of 20, (1 test each) Formaldehyde (use for -008,-009,-010)	85.00
66-0001	Sensor, Carbon Monoxide (CO) covers full scale up to 0 - 1000 ppm, EC type	195.00
66-0002	Sensor, Oxygen (O2) 0 - 25 % volume, capillary type	350.00
66-0003-1	Sensor, Hydrogen Sulfide (H2S) 0 - 100 ppm, EC type	195.00
66-0003-2	Sensor, Hydrogen Sulfide (H2S) covers full scale from 200 ppm to 2000 ppm, EC type	350.00
66-0004-1	Sensor, Hydrogen Chloride (HCl) covers full scale up to 20 ppm, EC type	350.00
66-0004-2	Sensor, Hydrogen Chloride (HCl) covers full scale up to 200 ppm, EC type	350.00
66-0005	Sensor, Hydrogen Cyanide (HCN) 0 - 50 ppm, EC type	350.00
66-0006-1	Sensor, Ammonia (NH3) covers full scale up to 100 ppm, EC type	350.00
66-0006-2	Sensor, Ammonia (NH3) high range, covers full scale from 200 to 1000 ppm, Semeatech, EC type	350.00
66-0006L-1	Sensor, Ammonia (NH3) long life, low humidity for up to 100 ppm full scale, Semeatech, EC type	370.00
66-0006N-1	Sensor, Ammonia (NH3) for up to 100 ppm full scale, Nemoto, EC type	370.00
66-0006N-2	Sensor, Ammonia (NH3) covers full scale between 200 and 1000 ppm, Nemoto, EC type	370.00
66-0007	Sensor, Nitric Oxide (NO) covers full scale up to 250 ppm, EC type	350.00
66-0008	Sensor, Nitrogen Dioxide (NO2) 0 - 20 ppm, EC type	350.00
66-0009-1	Sensor, Ozone (O3) 0 - 5 ppm, EC type	350.00
66-0009-2	Sensor, Ozone (O3) high range sensor covers full scale from 10 ppm to 100 ppm, EC type	350.00
66-0010	Sensor, Sulfur Dioxide (SO2) 0 - 20 ppm, EC type	350.00
66-0011	Sensor, Formaldehyde (HCHO) 0 - 10 ppm, EC type	800.00
66-0012	Sensor, Chlorine (Cl2) covers full scale up to 20 ppm, EC type	350.00
66-0013	Sensor, Chlorine Dioxide (ClO2) covers full scale up to 5 ppm, EC type	350.00
66-0014	Sensor, Hydrogen Fluoride (HF) 0 - 10 ppm, EC type	800.00
66-0015	Sensor, Phosphine (PH3) 0 - 5 ppm, EC type	935.00
66-0016	Sensor, Ethylene Oxide (ETO) 0 - 10 ppm, EC type	800.00
66-0039	Sensor, Hydrogen (H2) 0 - 100% LEL (0-4% vol), EC type	800.00
66-0040	Sensor, Hydrocarbons (CH4) 0 - 100 % LEL, catalytic type	195.00

# Numerical Index

Part#	Description	Suggested Retail
66-0050	Sensor, Carbon Dioxide (CO2) 0 - 5 % volume, IR type .....	800.00
66-0051	Sensor, Hydrocarbons (CH4) 0 - 100 % LEL, IR type .....	800.00
66-0052	Sensor, Hydrocarbons (CH4) 0 - 100 % volume, IR type .....	800.00
66-0053	Sensor, Hydrocarbons (HC) 0-100% LEL, IR type .....	800.00
66-0054	Sensor, Carbon Dioxide (CO2) 0 - 5000 ppm, IR type .....	800.00
66-0060	Sensor, Hydrocarbons (CH4) 0 - 100 % LEL, LPIR type .....	800.00
66-0062	Sensor, Hydrocarbons (CH4) 0 - 100 % vol, LPIR type .....	800.00
66-0063	Sensor, Hydrocarbons (HC) 0 - 100 % vol, LPIR type .....	800.00
66-0064	Sensor, Freon 404A (R-404A) 0 - 2000 ppm, IR type for Air Alert .....	1,100.00
66-0065	Sensor, Freon 410A (R-410A) 0 - 2000 ppm, IR type for Air Alert .....	1,100.00
66-0066	Sensor, Hydrocarbons (HC) 0 - 100 % LEL, LPIR type .....	800.00
66-0067	Sensor, Carbon Dioxide (CO2) 0 - 5%, LPIR type .....	800.00
66-0068	Sensor, Arsine (AsH3) 0 - 1 ppm, EC type .....	935.00
66-1001-05	Sensor assembly for Carbon Monoxide (CO) 0 - 500 ppm, EC type, XP Division 1, 7 pin .....	595.00
66-1001-10	Sensor assembly for Carbon Monoxide (CO) 0 - 1000 ppm, EC type, XP Division 1, 7 pin .....	595.00
66-1002-25	Sensor assembly for Oxygen (O2) 0 - 25 % Volume, EC type, XP Division 1, 7 pin .....	750.00
66-1003-1-01	Sensor assembly for Hydrogen Sulfide (H2S) Low Range, 0 - 10 ppm, EC type, XP Division 1, 7 pin .....	595.00
66-1003-1-02	Sensor assembly for Hydrogen Sulfide (H2S) Low Range, 0 - 25 ppm, EC type, XP Division 1, 7 pin .....	595.00
66-1003-1-05	Sensor assembly for Hydrogen Sulfide (H2S) Low Range, 0 - 50 ppm, EC type, XP Division 1, 7 pin .....	595.00
66-1003-1-10	Sensor assembly for Hydrogen Sulfide (H2S) Low Range, 0 - 100 ppm, EC type, XP Division 1, 7 pin .....	595.00
66-1003-2-2K	Sensor assembly for Hydrogen Sulfide (H2S) High range, 0 - 2000 ppm, EC type, XP Division 1, 7 pin .....	750.00
66-1003-2-50	Sensor assembly for Hydrogen Sulfide (H2S) High range, 0 - 500 ppm, EC type, XP Division 1, 7 pin .....	750.00
66-1004-10	Sensor assembly for Hydrogen Chloride (HCl) 0 - 100 ppm, EC type, XP Division 2, 7 pin .....	750.00
66-1004-20	Sensor assembly for Hydrogen Chloride (HCl) 0 - 20 ppm, EC type, XP Division 2, 7 pin .....	750.00
66-1004-30	Sensor assembly for Hydrogen Chloride (HCl) 0 - 30 ppm, EC type, XP Division 2, 7 pin .....	750.00
66-1004-99	Sensor assembly for Hydrogen Chloride (HCl) 0 - 100 ppm, EC type, XP Division 2, 7 pin .....	750.00
66-1005-15	Sensor assembly for Hydrogen Cyanide (HCN) 0 - 15 ppm, EC type, XP Division 2, 7 pin .....	750.00
66-1005-30	Sensor assembly for Hydrogen Cyanide (HCN) 0 - 30 ppm, EC type, XP Division 2, 7 pin .....	750.00
66-1005-50	Sensor assembly for Hydrogen Cyanide (HCN) 0 - 50 ppm, EC type, XP Division 2, 7 pin .....	750.00
66-1006-1-07	Sensor assembly for Ammonia (NH3), Low range, 0 - 75 ppm, EC type, XP Division 2, 7 pin .....	750.00
66-1006-1-10	Sensor assembly for Ammonia (NH3), Low range, 0 - 100 ppm, EC type, XP Division 2, 7 pin .....	750.00
66-1006-1-10L	Sensor assembly for Ammonia (NH3), low humidity, low range, 0 - 100 ppm, EC type, XP Division 2, 7 pin .....	750.00
66-1006-2-50	Sensor assembly for Ammonia (NH3), High range 0 - 500 ppm, EC type, XP Division 2, 7 pin .....	750.00
66-1006-2-99	Sensor assembly for Ammonia (NH3), High range 0 - 1000 ppm, EC type, XP Division 2, 7 pin .....	750.00
66-1007-25	Sensor assembly for Nitric Oxide (NO) 0 - 250 ppm, EC type, XP Division 2, 7 pin .....	750.00
66-1008-20	Sensor assembly for Nitrogen Dioxide (NO2) 0 - 20 ppm, EC type, XP Division 2, 7 pin .....	750.00
66-1009-1-05	Sensor assembly for Ozone (O3), 0 - 5 ppm, EC type, XP Division 2, 7 pin .....	750.00
66-1009-2-99	Sensor assembly for Ozone (O3), high range 0 - 100 ppm, EC type, XP Division 2, 7 pin .....	750.00
66-1010-20	Sensor assembly for Sulfur Dioxide (SO2) 0 - 20 ppm, EC type, XP Division 2, 7 pin .....	750.00
66-1011-10	Sensor assembly for Formaldehyde (HCHO) 0 - 10 ppm, EC type, XP Division 2, 7 pin .....	1,200.00
66-1012-10	Sensor assembly for Chlorine (Cl2) 0 - 10 ppm, EC type, XP Division 2, 7 pin .....	750.00
66-1013-01	Sensor assembly for Chlorine Dioxide (ClO2) 0 - 1 ppm, EC type, XP Division 2, 7 pin .....	750.00
66-1013-05	Sensor assembly for Chlorine Dioxide (ClO2) covers full scale up to 0 - 5 ppm, EC type, XP Division 2, 7 pin .....	750.00
66-1014-10	Sensor assembly for Hydrogen Fluoride (HF) 0 - 10 ppm, EC type, XP Division 2, 7 pin .....	1,200.00
66-1015-05	Sensor assembly for Phosphine (PH3) 0 - 5 ppm, EC type, XP Division 2, 7 pin .....	1,335.00
66-1016-10	Sensor assembly for Ethylene Oxide (ETO) 0 - 10 ppm, EC type, XP Division 2, 7 pin .....	1,200.00
66-1039-40	Sensor assembly for Hydrogen (H2) 0 - 100% LEL (0-4% vol), EC type, XP Division 1, 7 pin .....	1,200.00
66-1040-10	Sensor assembly for Combustible (CH4) 0 - 100 % LEL, Catalytic Bead type, XP Division 1, 7 pin .....	595.00
66-1050-05	Sensor assembly for Carbon Dioxide (CO2) 0 - 5 % Volume, IR - Infrared, XP Division 1, 7 pin .....	1,200.00
66-1051-10	Sensor assembly for Combustible (CH4) 0 - 100 % LEL, IR - Infrared, XP Division 1, 7 pin .....	1,200.00
66-1052-99	Sensor assembly for Combustible (CH4) 0 - 100 % Volume, IR - Infrared, XP Division 1, 7 pin .....	1,200.00
66-1053-10	Sensor assembly for Combustible (HC) 0-100% LEL, IR - Infrared, XP Division 1, 7 pin .....	1,200.00
66-1060-10	Sensor assembly for Combustible (CH4) 0 - 100 % LEL, CH4, LPIR - Low Power Infrared, XP Division 1, 7 pin .....	1,200.00
666-1062-99	Sensor assembly for Combustible (CH4) 0 - 100 % Volume, LPIR - Low Power Infrared, XP Division 1, 7 pin .....	1,200.00
66-1066-10	Sensor assembly for Combustible (HC) 0 - 100 % LEL, LPIR - Low Power Infrared, XP Division 1, 7 pin ...	1,200.00
6-1067-05	Sensor assembly for Carbon Dioxide (CO2) 0 - 5 % Volume, LPIR - Low Power Infrared, XP Division 1, 7 pin .....	1,200.00

# Numerical Index

Part#	Description	Suggested Retail
66-1068-01	Sensor assembly for Arsine (AsH3) 0 - 1 ppm, EC type, XP Division 2, 7 pin	1,335.00
66-1080-10	Sensor assembly, explosion proof for Methane (CH4) 0 - 100 % LEL, CH4, LPIR - Low Power Infrared	1,200.00
66-1302	Sensor assembly for VOC (10.6 eV PID) 0 - 50 ppm, XP Division 1, 7 pin	1,650.00
66-1303	Sensor assembly for VOC (10.6 eV PID) 0 - 2000 ppm, XP Division 1, 7 pin	1,490.00
66-1304	Sensor assembly for VOC (11.7 eV PID) 0 - 100 ppm, XP Division 1, 7 pin	1,750.00
66-1305	Sensor assembly for VOC (10.0 eV PID) 0 - 100 ppm, XP Division 1, 7 pin	1,750.00
66-2001-10	Sensor assembly for Carbon Monoxide (CO) 0 - 1000 ppm, EC type, non XP, 7-pin	515.00
66-2002-25	Sensor assembly for Oxygen (O2) 0 - 25 % Volume, EC type, non XP, 7-pin	670.00
66-2003-1-10	Sensor assembly for Hydrogen Sulfide (H2S) 0 - 100 ppm, EC type, non XP, 7-pin	515.00
66-2003-2-2K	Sensor assembly for Hydrogen Sulfide (H2S) High range 0 - 2000 ppm, EC type, non XP, 7-pin	515.00
66-2004-10	Sensor assembly for Hydrogen Chloride (HCl) 0 - 100 ppm, EC type, non XP, 7-pin	670.00
66-2005-50	Sensor assembly for Hydrogen Cyanide (HCN) 0 - 50 ppm, EC type, non XP, 7-pin	670.00
66-2006-1-10	Sensor assembly for Ammonia (NH3), 0 - 100 ppm, EC type, non XP, 7-pin	670.00
66-2006-2-99	Sensor assembly for Ammonia (NH3), High range 0 - 1000 ppm, EC type, non XP, 7-pin	670.00
66-2007-25	Sensor assembly for Nitric Oxide (NO) 0 - 250 ppm, EC type, non XP, 7-pin	670.00
66-2008-20	Sensor assembly for Nitrogen Dioxide (NO2) 0 - 20 ppm, EC type, non XP, 7-pin	670.00
66-2009-1-05	Sensor assembly for Ozone (O3), 0 - 5 ppm, EC type, non XP, 7-pin	670.00
66-2009-2-99	Sensor assembly for Ozone (O3), high range 0 - 100 ppm, EC type, non XP, 7-pin	670.00
66-2010-20	Sensor assembly for Sulfur Dioxide (SO2) 0 - 20 ppm, EC type, non XP, 7-pin	670.00
66-2011-10	Sensor assembly for Formaldehyde (HCHO) 0 - 10 ppm, EC type, non XP, 7-pin	1,120.00
66-2012-03	Sensor assembly for Chlorine (Cl2) 0 - 3 ppm, EC type, non XP, 7-pin	670.00
66-2012-10	Sensor assembly for Chlorine (Cl2) 0 - 10 ppm, EC type, non XP, 7-pin	670.00
66-2013-01	Sensor assembly for Chlorine Dioxide (ClO2) 0 - 1 ppm, EC type, non XP, 7-pin	670.00
66-2014-10	Sensor assembly for Hydrogen Fluoride (HF) 0 - 10 ppm, EC type, non XP, 7-pin	1,120.00
66-2015-05	Sensor assembly for Phosphine (PH3) 0 - 5 ppm, EC type, non XP, 7-pin	1,255.00
66-2016-10	Sensor assembly for Ethylene Oxide (ETO) 0 - 10 ppm, EC type, non XP, 7-pin	1,120.00
66-2039-40	Sensor assembly for Hydrogen (H2) 0 - 100% LEL (0-4% vol), EC type, non XP, 7-pin	1,120.00
66-2040-10	Sensor assembly for Combustible (CH4) 0 - 100 % LEL, Catalytic Bead type, non XP, 7-pin	515.00
66-2050-05	Sensor assembly for Carbon Dioxide (CO2) 0 - 5 % Volume, IR - Infrared, non XP, 7-pin	1,120.00
66-2051-10	Sensor assembly for Combustible (CH4) 0 - 100 % LEL, IR - Infrared, non XP, 7-pin	1,120.00
66-2052-99	Sensor assembly for Combustible (CH4) 0 - 100 % Volume, IR - Infrared, non XP, 7-pin	1,120.00
66-2053-10	Sensor assembly for Combustible (HC) 0-100% LEL, IR - Infrared, non XP, 7-pin	1,120.00
66-2054-05	Sensor assembly for Carbon Dioxide (CO2) 0 - 5000 ppm, IR, non XP, 7-pin	1,120.00
66-2060-10	Sensor assembly for Combustible (CH4) 0 - 100 % LEL, CH4, LPIR - Low Power Infrared, non XP, 7-pin	1,120.00
66-2062-99	Sensor assembly for Combustible (CH4) 0 - 100 % Volume, LPIR - Low Power Infrared, non XP, 7-pin	1,120.00
66-2063-10	Sensor assembly for Combustible (HC) 0 - 100 % LEL, LPIR - Low Power Infrared, non XP, 7-pin	1,120.00
66-2067-05	Sensor assembly for Carbon Dioxide (CO2) 0 - 5 % Volume, LPIR - Low Power Infrared, non XP, 7-pin	1,120.00
66-2068-01	Sensor assembly for Arsine (AsH3) 0 - 1 ppm, EC type, non XP, 7-pin	1,255.00
66-2302	Sensor assembly for VOC (10.6 eV PID) 0 - 50 ppm, non XP, 7-pin	1,600.00
66-2303	Sensor assembly for VOC (10.6 eV PID) 0 - 2000 ppm, non XP, 7-pin	1,440.00
66-2304	Sensor assembly for VOC (11.7 eV PID) 0 - 100 ppm, non XP, 7-pin	1,700.00
66-2305	Sensor assembly for VOC (10.0 eV PID) 0 - 100 ppm, non XP, 7-pin	1,700.00
66-3001-05	Sensor assembly, explosion proof for Carbon Monoxide (CO) 0 - 500 PPM, EC type, 5-pin	550.00
66-3001-10	Sensor assembly, explosion proof for Carbon Monoxide (CO) 0 - 1000 ppm, EC type, 5-pin	550.00
66-3002-25	Sensor assembly, explosion proof for Oxygen (O2) 0 - 25 % Volume, EC type, 5-pin	690.00
66-3003-1-01	Sensor assembly, explosion proof for Hydrogen Sulfide (H2S) Low Range 0 - 10 ppm, EC type, 5-pin	550.00
66-3003-1-02	Sensor assembly, explosion proof for Hydrogen Sulfide (H2S) Low Range 0 - 25 ppm, EC type, 5-pin	550.00
66-3003-1-05	Sensor assembly, explosion proof for Hydrogen Sulfide (H2S) Low Range 0 - 50 ppm, EC type, 5-pin	550.00
66-3003-1-10	Sensor assembly, explosion proof for Hydrogen Sulfide (H2S) Low Range 0 - 100 ppm, EC type, 5-pin	550.00
66-3003-2-2K	Sensor assembly, explosion proof for Hydrogen Sulfide (H2S) High range 0 - 2000 ppm, EC type, 5-pin	690.00
66-3003-2-50	Sensor assembly, explosion proof for Hydrogen Sulfide (H2S) High range 0 - 500 ppm, EC type, 5-pin	690.00
66-3004-20	Sensor assembly, explosion proof for Hydrogen Chloride (HCl) 0 - 20 ppm, EC type, 5-pin	690.00
66-3004-30	Sensor assembly, explosion proof for Hydrogen Chloride (HCl) 0 - 30 ppm, EC type, 5-pin	690.00
66-3004-99	Sensor assembly, explosion proof for Hydrogen Chloride (HCl) 0 - 100 ppm, EC type, 5-pin	690.00
66-3005-15	Sensor assembly, explosion proof for Hydrogen Cyanide (HCN) 0 - 15 ppm, EC type, 5-pin	690.00
66-3005-50	Sensor assembly, explosion proof for Hydrogen Cyanide (HCN) 0 - 50 ppm, EC type, 5-pin	690.00
66-3006-1-10	Sensor assembly, explosion proof for Ammonia (NH3), Low Range 0 - 100 ppm, EC type, 5-pin	690.00
66-3006-2-20	Sensor assembly, explosion proof for Ammonia (NH3), High range 0 - 200 ppm, EC type, 5-pin	690.00
66-3006-2-30	Sensor assembly, explosion proof for Ammonia (NH3), High range 0 - 300 ppm, EC type, 5-pin	690.00
66-3006-2-50	Sensor assembly, explosion proof for Ammonia (NH3), High range 0 - 500 ppm, EC type, 5-pin	690.00
66-3006-2-99	Sensor assembly, explosion proof for Ammonia (NH3), High range 0 - 1000 ppm, EC type, 5-pin	690.00

# Numerical Index

Part#	Description	Suggested Retail
66-3007-25	Sensor assembly, explosion proof for Nitric Oxide (NO) 0 - 250 ppm, EC type, 5-pin .....	690.00
66-3008-20	Sensor assembly, explosion proof for Nitrogen Dioxide (NO2) 0 - 20 ppm, EC type, 5-pin .....	690.00
66-3009-1-05	Sensor assembly, explosion proof for Ozone (O3), 5 ppm 0 - 5 ppm, EC type, 5-pin .....	690.00
66-3009-2-99	Sensor assembly, explosion proof for Ozone (O3), high range 0 - 100 ppm, EC type, 5-pin .....	690.00
66-3010-20	Sensor assembly, explosion proof for Sulphur Dioxide (SO2) 0 - 20 ppm, EC type, 5-pin .....	690.00
66-3011-10	Sensor assembly, explosion proof for Formaldehyde (HCHO) 0 - 10 ppm, EC type, 5-pin .....	1,080.00
66-3012-10	Sensor assembly, explosion proof for Chlorine (Cl2) 0 - 10 ppm, EC type, 5-pin .....	690.00
66-3013-01	Sensor assembly, explosion proof for Chlorine Dioxide (ClO2) 0 - 1 ppm, EC type, 5-pin .....	690.00
66-3014-10	Sensor assembly, explosion proof for Hydrogen Fluoride (HF) 0 - 10 ppm, EC type, 5-pin.....	1,080.00
66-3015-05	Sensor assembly, explosion proof for Phosphine (PH3) 0 - 5 ppm, EC type, 5-pin .....	1,190.00
66-3016-10	Sensor assembly, explosion proof for Ethylene Oxide (ETO) 0 - 10 ppm, EC type, 5-pin.....	1,080.00
66-3039-40	Sensor assembly, explosion proof for Hydrogen (H2) 0 - 100% LEL (0-4% vol), EC type, 5-pin .....	1,080.00
66-3040-10	Sensor assembly, explosion proof for Combustible (CH4) 0 - 100 % LEL, CB2 - Catalytic Bead, 5-pin .....	550.00
66-3050-05	Sensor assembly, explosion proof for Carbon Dioxide (CO2) 0 - 5 % Volume, IR - Infrared, 5-pin .....	1,080.00
66-3051-10	Sensor assembly, explosion proof for Combustible (CH4) 0 - 100 % LEL, IR - Infrared, 5-pin .....	1,080.00
66-3052-99	Sensor assembly, explosion proof for Combustible (CH4) 0 - 100 % Volume, IR - Infrared, 5-pin .....	1,080.00
66-3053-10	Sensor assembly, explosion proof for Combustible (HC) 0-100% LEL HC, IR - Infrared, 5-pin .....	1,080.00
66-3054-05	Sensor assembly, explosion proof for Carbon Dioxide (CO2) 0 - 5000 ppm, IR, 5-pin.....	1,080.00
66-3068-01	Sensor assembly, explosion proof for Arsine (AsH3) 0 - 1 ppm, EC type, 5-pin .....	1,190.00
66-5900-2	AirLink 5900 4-20mA to wireless converter, 2.4 GHz radio, wire powered .....	1,830.00
66-5900-9	AirLink 5900 4-20mA to wireless converter, 900 MHz radio, wire powered.....	1,830.00
66-5950-2	AirLink dual switch-state, explosion proof, 2.4 GHz radio, battery powered .....	1,370.00
66-5950-9	AirLink dual switch-state, explosion proof, 900 MHz radio, battery powered .....	1,370.00
66-5A01-03-L	Air Alert, Carbon Monoxide (CO) 0-300 ppm, AC power, 3-color alarm LED's and buzzer, non explosion proof .....	1,530.00
66-5A08-20-L	Air Alert, Nitric Oxide (NO2) 0-20 ppm, AC power, 3-color alarm LED's and buzzer, non explosion proof	1,670.00
66-5A64-20-L	Air Alert, Freon (R404A) 0-2000 ppm, AC power, 3-color alarm LED's and buzzer, non explosion proof	2,480.00
66-5A65-20-L	Air Alert, Freon (R410A) 0-2000 ppm, AC power, 3-color alarm LED's and buzzer, non explosion proof	2,480.00
66-5B01-99-W	Airlink Alert, Carbon Monoxide (CO) 0-1000 ppm, dual battery powered, 900 MHz radio.....	1,620.00
66-5B02-25-W	Airlink Alert, Oxygen (O2) 0-25% vol, dual battery powered, 900 MHz radio .....	1,620.00
66-5B03-01-W	Airlink Alert, Hydrogen Sulfide (H2S) 0-10 ppm, dual battery powered, 900 MHz radio .....	1,620.00
66-5B03-02-W	Airlink Alert, Hydrogen Sulfide (H2S) 0-25 ppm, dual battery powered, 900 MHz radio .....	1,620.00
66-5B03-05-W	Airlink Alert, Hydrogen Sulfide (H2S) 0-50 ppm, dual battery powered, 900 MHz radio .....	1,620.00
66-5B03-10-W	Airlink Alert, Hydrogen Sulfide (H2S) 0-100 ppm, dual battery powered, 900 MHz radio .....	1,620.00
66-5B03-2K-W	Airlink Alert, Hydrogen Sulfide (H2S) 0-2000 ppm, dual battery powered, 900 MHz radio .....	1,620.00
66-5B03-50-W	Airlink Alert, Hydrogen Sulfide (H2S) 0-500 ppm, dual battery powered, 900 MHz radio .....	1,620.00
66-5B04-02-W	Airlink Alert, Hydrogen Chloride (HCl) 0-20 ppm, dual battery powered, 900 MHz radio .....	1,775.00
66-5B04-10-W	Airlink Alert, Hydrogen Chloride (HCl) 0-100 ppm, dual battery powered, 900 MHz radio .....	1,775.00
66-5B05-50-W	Airlink Alert, Hydrogen Cyanide (HCN) 0-50 ppm, dual battery powered, 900 MHz radio .....	1,775.00
66-5B06-10-W	Airlink Alert, Ammonia (NH3) 0-100 ppm, dual battery powered, 900 MHz radio .....	1,775.00
66-5B06-99-W	Airlink Alert, Ammonia (NH3) 0-1000 ppm, dual battery powered, 900 MHz radio .....	1,775.00
66-5B07-25-W	Airlink Alert, Nitric Oxide (NO) 0-20 ppm, dual battery powered, 900 MHz radio .....	1,775.00
66-5B08-20-W	Airlink Alert, Nitrogen Dioxide (NO2) 0-20 ppm, dual battery powered, 900 MHz radio .....	1,775.00
66-5B09-05-W	Airlink Alert, Ozone (O3) 0-5 ppm, dual battery powered, 900 MHz radio .....	1,775.00
66-5B09-99-W	Airlink Alert, Ozone (O3) 0-100 ppm, dual battery powered, 900 MHz radio .....	1,775.00
66-5B10-20-W	Airlink Alert, Sulfur Dioxide (SO2) 0-20 ppm, dual battery powered, 900 MHz radio .....	1,775.00
66-5B11-10-W	Airlink Alert, Formaldehyde (HCHO) 0-10 ppm, dual battery powered, 900 MHz radio .....	2,225.00
66-5B12-10-W	Airlink Alert, Chlorine (Cl2) 0-10 ppm, dual battery powered, 900 MHz radio .....	1,775.00
66-5B13-01-W	Airlink Alert, Chlorine Dioxide (ClO2) 0-1 ppm, dual battery powered, 900 MHz radio .....	1,775.00
66-5B14-10-W	Airlink Alert, Hydrogen Fluoride (HF) 0-10 ppm, dual battery powered, 900 MHz radio .....	2,225.00
66-5B15-05-W	Airlink Alert, Phosphine (PH3) 0-5 ppm, dual battery powered, 900 MHz radio .....	2,360.00
66-5B16-10-W	Airlink Alert, Ethylene Oxide (ETO) 0-10 ppm, dual battery powered, 900 MHz radio .....	2,225.00
66-5B39-40-W	Airlink Alert, Hydrogen (H2) 0 - 100% LEL (0-4% vol), EC type, dual battery powered, 900 MHz radio ...	2,225.00
66-5B50-05-W	Airlink Alert, Carbon Dioxide (CO2) 0-5% vol, LPIR, dual battery powered, 900 MHz radio .....	2,225.00
66-5B51-10-W	Airlink Alert, Hydrocarbons (CH4) 0-100% LEL, LPIR, dual battery powered, 900 MHz radio .....	2,000.00
66-5B53-10-W	Airlink Alert, Hydrocarbons (HC) 0-100% LEL, LPIR, dual battery powered, 900 MHz radio .....	2,225.00
66-5B62-99-W	Airlink Alert, Hydrocarbons (CH4) 0-100% vol, LPIR, dual battery powered, 900 MHz radio .....	2,000.00
66-5B63-99-W	Airlink Alert, Hydrocarbons (HC) 0-100% vol, LPIR, dual battery powered, 900 MHz radio .....	2,225.00
66-5B64-20-W	Airlink Alert, Freon (R404A) 0-2000 ppm, LPIR, dual battery powered, 900 MHz radio .....	3,200.00
66-5B68-01-W	Airlink Alert, Arsine (AsH3) 0-1 ppm, dual battery powered, 900 MHz radio .....	2,360.00
66-5B92-01-W	Airlink Alert, VOC (10.6 eV PID) 0-10 ppm, dual battery powered, 900 MHz radio .....	3,200.00



# Numerical Index

Part#	Description	Suggested Retail
66-5B92-02-W	Airlink Alert, VOC (10.6 eV PID) 0-20 ppm, dual battery powered, 900 MHz radio	3,200.00
66-5B92-05-W	Airlink Alert, VOC (10.6 eV PID) 0-50 ppm, dual battery powered, 900 MHz radio	3,200.00
66-5B93-10-W	Airlink Alert, VOC (10.6 eV PID) 0-100 ppm, dual battery powered, 900 MHz radio	3,040.00
66-5B93-1K-W	Airlink Alert, VOC (10.6 eV PID) 0-1000 ppm, dual battery powered, 900 MHz radio	3,040.00
66-5B93-20-W	Airlink Alert, VOC (10.6 eV PID) 0-200 ppm, dual battery powered, 900 MHz radio	3,040.00
66-5B93-2K-W	Airlink Alert, VOC (10.6 eV PID) 0-2000 ppm, dual battery powered, 900 MHz radio	3,040.00
66-5B93-50-W	Airlink Alert, VOC (10.6 eV PID) 0-500 ppm, dual battery powered, 900 MHz radio	3,040.00
66-5B94-10-W	Airlink Alert, VOC (11.7 eV PID) 0-100 ppm, dual battery powered, 900 MHz radio	3,300.00
66-5B95-01-W	Airlink Alert, VOC (10.0 eV PID) 0-10 ppm, dual battery powered, 900 MHz radio	3,300.00
66-5B95-02-W	Airlink Alert, VOC (10.0 eV PID) 0-20 ppm, dual battery powered, 900 MHz radio	3,300.00
66-5B95-05-W	Airlink Alert, VOC (10.0 eV PID) 0-50 ppm, dual battery powered, 900 MHz radio	3,300.00
66-5B95-10-W	Airlink Alert, VOC (10.0 eV PID) 0-100 ppm, dual battery powered, 900 MHz radio	3,300.00
66-5D01-03-R	Air Alert, Carbon Monoxide (CO) 0-300 ppm, DC power, 2 relays	1,095.00
66-5D01-05-L	Air Alert, Carbon Monoxide (CO) 0-500 ppm, DC power, 3-color alarm LED's and buzzer	1,465.00
66-5D01-1K-L	Air Alert, Carbon Monoxide (CO) 0-1000 ppm, DC power, 3-color alarm LED's and buzzer	1,465.00
66-5D01-1K-R	Air Alert, Carbon Monoxide (CO) 0-1000 ppm, DC power, 2 relays	1,095.00
66-5D02-25-L	Air Alert, Oxygen (O2) 0-25% vol, DC power, 3-color alarm LED's and buzzer	1,620.00
66-5D02-25-R	Air Alert, Oxygen (O2) 0-25% vol, DC power, 2 relays	1,250.00
66-5D03-01-L	Air Alert, Hydrogen Sulfide (H2S) 0-10 ppm, DC power, 3-color alarm LED's and buzzer	1,465.00
66-5D03-01-R	Air Alert, Hydrogen Sulfide (H2S) 0-10 ppm, DC power, 2 relays	1,095.00
66-5D03-02-L	Air Alert, Hydrogen Sulfide (H2S) 0-25 ppm, DC power, 3-color alarm LED's and buzzer	1,465.00
66-5D03-02-R	Air Alert, Hydrogen Sulfide (H2S) 0-25 ppm, DC power, 2 relays	1,095.00
66-5D03-05-L	Air Alert, Hydrogen Sulfide (H2S) 0-50 ppm, DC power, 3-color alarm LED's and buzzer	1,465.00
66-5D03-05-R	Air Alert, Hydrogen Sulfide (H2S) 0-50 ppm, DC power, 2 relays	1,095.00
66-5D03-10-L	Air Alert, Hydrogen Sulfide (H2S) 0-100 ppm, DC power, 3-color alarm LED's and buzzer	1,465.00
66-5D03-10-R	Air Alert, Hydrogen Sulfide (H2S) 0-100 ppm, DC power, 2 relays	1,095.00
66-5D03-2K-L	Air Alert, Hydrogen Sulfide (H2S) 0-2000 ppm, DC power, 3-color alarm LED's and buzzer	1,465.00
66-5D03-2K-R	Air Alert, Hydrogen Sulfide (H2S) 0-2000 ppm, DC power, 2 relays	1,095.00
66-5D03-50-L	Air Alert, Hydrogen Sulfide (H2S) 0-500 ppm, DC power, 3-color alarm LED's and buzzer	1,465.00
66-5D03-50-R	Air Alert, Hydrogen Sulfide (H2S) 0-500 ppm, DC power, 2 relays	1,095.00
66-5D04-02-L	Air Alert, Hydrogen Chloride (HCl) 0-20 ppm, DC power, 3-color alarm LED's and buzzer	1,620.00
66-5D04-02-R	Air Alert, Hydrogen Chloride (HCl) 0-20 ppm, DC power, 2 relays	1,250.00
66-5D04-03-L	Air Alert, Hydrogen Chloride (HCl) 0-30 ppm, DC power, 3-color alarm LED's and buzzer	1,620.00
66-5D04-03-R	Air Alert, Hydrogen Chloride (HCl) 0-30 ppm, DC power, 2 relays	1,250.00
66-5D04-10-L	Air Alert, Hydrogen Chloride (HCl) 0-100 ppm, DC power, 3-color alarm LED's and buzzer	1,620.00
66-5D04-10-R	Air Alert, Hydrogen Chloride (HCl) 0-100 ppm, DC power, 2 relays	1,250.00
66-5D05-15-L	Air Alert, Hydrogen Cyanide (HCN) 0-15 ppm, DC power, 3-color alarm LED's, and buzzer	1,620.00
66-5D05-15-R	Air Alert, Hydrogen Cyanide (HCN) 0-15 ppm, DC power, 2 relays	1,250.00
66-5D05-30-R	Air Alert, Hydrogen Cyanide (HCN) 0-30 ppm, DC power, 2 relays	1,250.00
66-5D05-50-L	Air Alert, Hydrogen Cyanide (HCN) 0-50 ppm, DC power, 3-color alarm LED's, and buzzer	1,620.00
66-5D05-50-R	Air Alert, Hydrogen Cyanide (HCN) 0-50 ppm, DC power, 2 relays	1,250.00
66-5D06-10-L	Air Alert, Ammonia (NH3) 0-100 ppm, DC power, 3-color alarm LED's and buzzer	1,620.00
66-5D06-10-R	Air Alert, Ammonia (NH3) 0-100 ppm, DC power, 2 relays	1,250.00
66-5D06-1K-L	Air Alert, Ammonia (NH3) 0-1000 ppm, DC power, 3-color alarm LED's and buzzer	1,620.00
66-5D06-1K-R	Air Alert, Ammonia (NH3) 0-1000 ppm, DC power, 2 relays	1,250.00
66-5D06-20-L	Air Alert, Ammonia (NH3) 0-200 ppm, DC power, 3-color alarm LED's and buzzer	1,620.00
66-5D06-20-R	Air Alert, Ammonia (NH3) 0-200 ppm, DC power, 2 relays	1,250.00
66-5D06-30-L	Air Alert, Ammonia (NH3) 0-300 ppm, DC power, 3-color alarm LED's and buzzer	1,620.00
66-5D06-30-R	Air Alert, Ammonia (NH3) 0-300 ppm, DC power, 2 relays	1,250.00
66-5D06-50-L	Air Alert, Ammonia (NH3) 0-500 ppm, DC power, 3-color alarm LED's and buzzer	1,620.00
66-5D06-50-R	Air Alert, Ammonia (NH3) 0-500 ppm, DC power, 2 relays	1,250.00
66-5D07-25-L	Air Alert, Nitric Oxide (NO) 0-250 ppm, DC power, 3-color alarm LED's and buzzer	1,620.00
66-5D07-25-R	Air Alert, Nitric Oxide (NO) 0-250 ppm, DC power, 2 relays	1,095.00
66-5D08-20-L	Air Alert, Nitrogen Dioxide (NO2) 0-20 ppm, DC power, 3-color alarm LED's and buzzer	1,620.00
66-5D08-20-R	Air Alert, Nitrogen Dioxide (NO2) 0-20 ppm, DC power, 2 relays	1,250.00
66-5D09-05-L	Air Alert, Ozone (O3) 0-5 ppm, DC power, 3-color alarm LED's and buzzer	1,620.00
66-5D09-05-R	Air Alert, Ozone (O3) 0-5 ppm, DC power, 2 relays	1,250.00
66-5D09-99-L	Air Alert, Ozone (O3) 0-100 ppm, DC power, 3-color alarm LED's and buzzer	1,620.00
66-5D09-99-R	Air Alert, Ozone (O3) 0-100 ppm, DC power, 2 relays	1,250.00
66-5D10-20-L	Air Alert, Sulfur Dioxide (SO2) 0-20 ppm, DC power, 3-color alarm LED's and buzzer	1,620.00
66-5D10-20-R	Air Alert, Sulfur Dioxide (SO2) 0-20 ppm, DC power, 2 relays	1,250.00

# Numerical Index

Part#	Description	Suggested Retail
66-5D11-10-R	Air Alert, Formaldehyde (HCHO) 0-10 ppm, DC power, 2 relays .....	1,700.00
66-5D12-10-L	Air Alert, Chlorine (Cl2) 0-10 ppm, DC power, 3-color alarm LED's and buzzer .....	1,620.00
66-5D12-10-R	Air Alert, Chlorine (Cl2) 0-10 ppm, DC power, 2 relays .....	1,250.00
66-5D13-01-L	Air Alert, Chlorine Dioxide (ClO2) 0-1 ppm, DC power, 3-color alarm LED's and buzzer .....	1,620.00
66-5D13-01-R	Air Alert, Chlorine Dioxide (ClO2) 0-1 ppm, DC power, 2 relays .....	1,250.00
66-5D14-10-L	Air Alert, Hydrogen Fluoride (HF) 0-10 ppm, DC power, 3-color alarm LED's and buzzer .....	2,070.00
66-5D14-10-R	Air Alert, Hydrogen Fluoride (HF) 0-10 ppm, DC power, 2 relays .....	1,700.00
66-5D15-05-L	Air Alert, Phosphine (PH3) 0-5 ppm, DC power, 3-color alarm LED's and buzzer .....	2,205.00
66-5D15-05-R	Air Alert, Phosphine (PH3) 0-5 ppm, DC power, 2 relays .....	1,835.00
66-5D16-10-L	Air Alert, Ethylene Oxide (ETO) 0-10 ppm, DC power, 3-color alarm LED's and buzzer .....	2,070.00
66-5D16-10-R	Air Alert, Ethylene Oxide (ETO) 0-10 ppm, DC power, 2 relays .....	1,700.00
66-5D50-05-L	Air Alert, Carbon Dioxide (CO2) 0-5% vol, IR, DC power, 3-color alarm LED's and buzzer .....	2,070.00
66-5D50-05-R	Air Alert, Carbon Dioxide (CO2) 0-5% vol, IR, DC power, 2 relays .....	1,700.00
66-5D51-10-R	Air Alert, Hydrocarbons (CH4) 0-100% LEL, IR, DC power, 2 relays .....	1,700.00
66-5D52-99-R	Air Alert, Hydrocarbons (CH4) 0-100% VOL, IR, DC power, 2 relays .....	1,700.00
66-5D53-10-R	Air Alert, Hydrocarbons (HC) 0-100% LEL, IR, DC power, 2 relays.....	1,700.00
66-5D54-05-L	Air Alert, Carbon Dioxide (CO2) 0-5000 ppm, IR, DC power, 3-color alarm LED's and buzzer.....	2,070.00
66-5D54-05-R	Air Alert, Carbon Dioxide (CO2) 0-5,000 ppm IR, DC power, 2 relays .....	1,700.00
66-5D64-20-L	Air Alert, Freon (R404A) 0-2000 ppm, DC power, 3-color alarm LED's and buzzer .....	2,620.00
66-5D64-20-R	Air Alert, Freon (R404A) 0-2000 ppm, DC power, 2 relays.....	2,160.00
66-5D65-20-L	Air Alert, Freon (R410A) 0-2000 ppm, DC power, 3-color alarm LED's and buzzer .....	2,620.00
66-5D65-20-R	Air Alert, Freon (R410A) 0-2000 ppm, DC power, 2 relays.....	2,160.00
66-5D68-01-L	Air Alert, Arsine (AsH3) 0-1 ppm, DC power, 3-color alarm LED's and buzzer .....	2,205.00
66-5D68-01-R	Air Alert, Arsine (AsH3) 0-1 ppm, DC power, 2 relays .....	1,835.00
66-5D92-01-L	Air Alert, VOC (10.6 eV PID) 0-10 ppm, DC power, 3-color alarm LED's and buzzer.....	2,620.00
66-5D92-01-R	Air Alert, VOC (10.6 eV PID) 0-10 ppm, DC power, 2 relays .....	2,260.00
66-5D92-02-L	Air Alert, VOC (10.6 eV PID) 0-20 ppm, DC power, 3-color alarm LED's and buzzer.....	2,620.00
66-5D92-02-R	Air Alert, VOC (10.6 eV PID) 0-20 ppm, DC power, 2 relays .....	2,260.00
66-5D92-05-L	Air Alert, VOC (10.6 eV PID) 0-50 ppm, DC power, 3-color alarm LED's and buzzer.....	2,620.00
66-5D92-05-R	Air Alert, VOC (10.6 eV PID) 0-50 ppm, DC power, 2 relays .....	2,260.00
66-5D93-10-L	Air Alert, VOC (10.6 eV PID) 0-100 ppm, DC power, 3-color alarm LED's and buzzer .....	2,460.00
66-5D93-10-R	Air Alert, VOC (10.6 eV PID) 0-100 ppm, DC power, 2 relays .....	2,100.00
66-5D93-1K-L	Air Alert, VOC (10.6 eV PID) 0-1000 ppm, DC power, 3-color alarm LED's and buzzer.....	2,460.00
66-5D93-1K-R	Air Alert, VOC (10.6 eV PID) 0-1000 ppm, DC power, 2 relays .....	2,100.00
66-5D93-20-L	Air Alert, VOC (10.6 eV PID) 0-200 ppm, DC power, 3-color alarm LED's and buzzer .....	2,460.00
66-5D93-20-R	Air Alert, VOC (10.6 eV PID) 0-200 ppm, DC power, 2 relays .....	2,100.00
66-5D93-2K-L	Air Alert, VOC (10.6 eV PID) 0-2000 ppm, DC power, 3-color alarm LED's and buzzer.....	2,460.00
66-5D93-2K-R	Air Alert, VOC (10.6 eV PID) 0-2000 ppm, DC power, 2 relays .....	2,100.00
66-5D93-50-L	Air Alert, VOC (10.6 eV PID) 0-500 ppm, DC power, 3-color alarm LED's and buzzer .....	2,460.00
66-5D93-50-R	Air Alert, VOC (10.6 eV PID) 0-500 ppm, DC power, 2 relays .....	2,100.00
66-5D94-10-L	Air Alert, VOC (11.7 eV PID) 0-100 ppm, DC power, 3-color alarm LED's and buzzer .....	2,880.00
66-5D94-10-R	Air Alert, VOC (11.7 eV PID) 0-100 ppm, DC power, 2 relays .....	2,360.00
66-5D94-99-R	Air Alert, VOC (11.7 eV PID) 0-1000 ppm, DC power, 2 relays .....	2,360.00
66-5D95-01-L	Air Alert, VOC (10.0 eV PID) 0-10 ppm, DC power, 3-color alarm LED's and buzzer.....	2,880.00
66-5D95-01-R	Air Alert, VOC (10.0 eV PID) 0-10 ppm, DC power, 2 relays .....	2,360.00
66-5D95-02-L	Air Alert, VOC (10.0 eV PID) 0-20 ppm, DC power, 3-color alarm LED's and buzzer.....	2,880.00
66-5D95-02-R	Air Alert, VOC (10.0 eV PID) 0-20 ppm, DC power, 2 relays .....	2,360.00
66-5D95-05-L	Air Alert, VOC (10.0 eV PID) 0-50 ppm, DC power, 3-color alarm LED's and buzzer.....	2,880.00
66-5D95-05-R	Air Alert, VOC (10.0 eV PID) 0-50 ppm, DC power, 2 relays .....	2,360.00
66-5D95-10-L	Air Alert, VOC (10.0 eV PID) 0-100 ppm, DC power, 3-color alarm LED's and buzzer .....	2,880.00
66-5D95-10-R	Air Alert, VOC (10.0 eV PID) 0-100 ppm, DC power, 2 relays .....	2,360.00
66-6192-01	VOC Pro (10.6 eV PID) 0-10.00 ppm, low range sensor/transmitter with j-box .....	2,400.00
66-6192-01-R	VOC Pro sensor/transmitter w/j-box,0-10.00 ppm,10.6 eV lamp,low range sensor, w/2 relays .....	2,620.00
66-6192-01-W	AirLink VOC Pro (10.6 eV PID) 0-10.00 ppm, low range sensor/transmitter with j-box and 900 MHz radio.....	4,680.00
66-6192-02	VOC Pro (10.6 eV PID) 0-20.00 ppm, low range sensor/transmitter with j-box .....	2,400.00
66-6192-02-R	VOC Pro sensor/transmitter w/j-box,0-20.00 ppm,10.6 eV lamp,low range sensor, w/2 relays .....	2,620.00
66-6192-02-W	AirLink VOC Pro (10.6 eV PID) 0-20.00 ppm, low range sensor/transmitter with j-box and 900 MHz radio.....	4,680.00
66-6192-05	VOC Pro (10.6 eV PID) 0-50.00 ppm, low range sensor/transmitter with j-box .....	2,400.00
66-6192-05-R	VOC Pro sensor/transmitter w/j-box,0-50.00 ppm,10.6 eV lamp,low range sensor, w/2 relays .....	2,620.00

# Numerical Index

Part#	Description	Suggested Retail
66-6192-05-W	AirLink VOC Pro (10.6 eV PID) 0-50.00 ppm, low range sensor/transmitter with j-box and 900 MHz radio.....	4,680.00
66-6193-10	VOC Pro (10.6 eV PID) 0-100 ppm, high range sensor/transmitter with j-box .....	2,240.00
66-6193-10-R	VOC Pro sensor/transmitter w/j-box,0-1000 ppm,10.6 eV lamp,high range sensor, w/2 relays .....	2,460.00
66-6193-10-W	AirLink VOC Pro (10.6 eV PID) 0-100 ppm, high range sensor/transmitter with j-box and 900 MHz radio.....	4,520.00
66-6193-1K	VOC Pro (10.6 eV PID) 0-1000 ppm, high range sensor/transmitter with j-box .....	2,240.00
66-6193-1K-W	AirLink VOC Pro (10.6 eV PID) 0-1000 ppm, high range sensor/transmitter with j-box and 900 MHz radio.....	4,520.00
66-6193-20	VOC Pro sensor/transmitter w/j-box,0-200ppm,10.6 eV lamp,high range sensor .....	2,240.00
66-6193-20-W	AirLink VOC Pro (10.6 eV PID) 0-200 ppm, high range sensor/transmitter with j-box and 900 MHz radio.....	4,520.00
66-6193-2K	VOC Pro (10.6 eV PID) 0-2000 ppm, high range sensor/transmitter with j-box .....	2,240.00
66-6193-2K-R	VOC Pro sensor/transmitter w/j-box,0-2000 ppm,10.6 eV lamp,high range sensor, w/2 relays .....	2,460.00
66-6193-2K-W	AirLink VOC Pro (10.6 eV PID) 0-2000 ppm, high range sensor/transmitter with j-box and 900 MHz radio.....	4,520.00
66-6193-50	VOC Pro (10.6 eV PID) 0-500 ppm, high range sensor/transmitter with j-box.....	2,240.00
66-6193-50-W	AirLink VOC Pro (10.6 eV PID) 0-500 ppm, high range sensor/transmitter with j-box and 900 MHz radio.....	4,520.00
66-6194-02	VOC Pro (11.7 ev PID) 0-20 ppm sensor/transmitter with j-box .....	2,500.00
66-6194-02-R	VOC Pro sensor/transmitter w/j-box,0-20 ppm,11.7 eV lamp, with 2 relays .....	2,720.00
66-6194-05	VOC Pro (11.7 ev PID) 0-50 ppm sensor/transmitter with j-box .....	2,500.00
66-6194-05-R	VOC Pro sensor/transmitter w/j-box,0-50 ppm,11.7 eV lamp, with 2 relays .....	2,720.00
66-6194-10	VOC Pro (11.7 ev PID) 0-100 ppm sensor/transmitter with j-box .....	2,500.00
66-6194-10-R	VOC Pro sensor/transmitter w/j-box,0-100 ppm,11.7 eV lamp, with 2 relays .....	2,720.00
66-6194-10-W	AirLink VOC Pro (11.7 ev PID) 0-100 ppm sensor/transmitter with j-box with 900 MHz radio .....	4,780.00
66-6194-50	VOC Pro (11.7 ev PID) 0-500 ppm sensor/transmitter with j-box .....	2,500.00
66-6194-99	VOC Pro (11.7 ev PID) 0-1000 ppm sensor/transmitter with j-box .....	2,500.00
66-6195-01	VOC Pro (10.0 eV PID) 0-10.00 ppm sensor/transmitter with j-box .....	2,500.00
66-6195-01-W	AirLink VOC Pro (10.0 eV PID) 0-10.00 ppm sensor/transmitter with j-box with 900 MHz radio .....	4,780.00
66-6195-02	VOC Pro, (10.0 eV PID) 0-20.00 ppm, sensor/transmitter with j-box .....	2,500.00
66-6195-02-R	VOC Pro sensor/transmitter w/j-box,0-20 ppm,10.0 eV lamp, with 2 relays .....	2,720.00
66-6195-02-W	AirLink VOC Pro, (10.0 eV PID) 0-20.00 ppm, sensor/transmitter with j-box with 900 MHz radio .....	4,780.00
66-6195-05	VOC Pro, (10.0 eV PID) 0-50.00 ppm, sensor/transmitter with j-box .....	2,500.00
66-6195-05-R	VOC Pro sensor/transmitter w/j-box,0-50 ppm,10.0 eV lamp, with 2 relays .....	2,720.00
66-6195-05-W	AirLink VOC Pro, (10.0 eV PID) 0-50.00 ppm, sensor/transmitter with j-box with 900 MHz radio .....	4,780.00
66-6195-10	VOC Pro, (10.0 eV PID) 0-100.00 ppm, sensor/transmitter with j-box .....	2,500.00
66-6195-10-R	VOC Pro sensor/transmitter w/j-box,0-100 ppm,10.0 eV lamp, with 2 relays .....	2,720.00
66-6195-10-W	AirLink VOC Pro, (10.0 eV PID) 0-100.00 ppm, sensor/transmitter with j-box with 900 MHz radio.....	4,780.00
66-6201-03	T2A sensor/transmitter with j-box, Carbon Monoxide (CO), 0-300 ppm .....	1,490.00
66-6201-05	T2A sensor/transmitter with j-box, Carbon Monoxide (CO), 0-500 ppm .....	1,490.00
66-6201-1K	T2A sensor/transmitter with j-box, Carbon Monoxide (CO), 0-1000 ppm .....	1,490.00
66-6202-25	T2A sensor/transmitter with j-box, Oxygen (O2) capillary, 0-25% .....	1,645.00
66-6203-01	T2A sensor/transmitter with j-box, Hydrogen Sulfide (H2S), 0-10 ppm .....	1,490.00
66-6203-02	T2A sensor/transmitter with j-box, Hydrogen Sulfide (H2S), 0-25 ppm .....	1,490.00
66-6203-05	T2A sensor/transmitter with j-box, Hydrogen Sulfide (H2S), 0-50 ppm .....	1,490.00
66-6203-10	T2A sensor/transmitter with j-box, Hydrogen Sulfide (H2S), 0-100 ppm.....	1,490.00
66-6203-2K	T2A sensor/transmitter with j-box, Hydrogen Sulfide (H2S), 0-2000 ppm .....	1,490.00
66-6203-50	T2A sensor/transmitter with j-box, Hydrogen Sulfide (H2S), 0-500 ppm.....	1,490.00
66-6204-20	T2A sensor/transmitter with j-box, Hydrogen Chloride (HCl), 0-20 ppm.....	1,645.00
66-6204-30	T2A sensor/transmitter with j-box, Hydrogen Chloride (HCl), 0-30 ppm.....	1,645.00
66-6204-99	T2A sensor/transmitter with j-box, Hydrogen Chloride (HCl), 0-100 ppm .....	1,645.00
66-6205-15	T2A sensor/transmitter with j-box, Hydrogen Cyanide (HCN), 0-15 ppm .....	1,645.00
66-6205-30	T2A sensor/transmitter with j-box, Hydrogen Cyanide (HCN), 0-30 ppm .....	1,645.00
66-6205-50	T2A sensor/transmitter with j-box, Hydrogen Cyanide (HCN), 0-50 ppm .....	1,645.00
66-6206-07	T2A sensor/transmitter with j-box, Ammonia (NH3), 0-75 ppm .....	1,645.00
66-6206-10	T2A sensor/transmitter with j-box, Ammonia (NH3), 0-100 ppm .....	1,645.00
66-6206-10L	T2A sensor/transmitter with j-box, Ammonia (NH3), 0-100 ppm, long life, low humidity .....	1840.00
66-6206-1K	T2A sensor/transmitter with j-box, Ammonia (NH3), 0-1000 ppm .....	1,645.00
66-6206-20	T2A sensor/transmitter with j-box, Ammonia (NH3), 0-200 ppm .....	1,645.00
66-6206-30	T2A sensor/transmitter with j-box, Ammonia (NH3), 0-300 ppm .....	1,645.00

# Numerical Index

Part#	Description	Suggested Retail
66-6206-40	T2A sensor/transmitter with j-box, Ammonia (NH3), 0-400 ppm .....	1,645.00
66-6206-50	T2A sensor/transmitter with j-box, Ammonia (NH3), 0-500 ppm .....	1,645.00
66-6206-75	T2A sensor/transmitter with j-box, Ammonia (NH3), 0-75 ppm .....	1,645.00
66-6207-25	T2A sensor/transmitter with j-box, Nitric Oxide (NO), 0-250 ppm .....	1,645.00
66-6208-02	T2A sensor/transmitter w/j-box, Nitrogen Dioxide (NO2),0-20 ppm .....	1,645.00
66-6208-20	T2A sensor/transmitter with j-box, Nitrogen Dioxide (NO2), 0-20 ppm .....	1,645.00
66-6209-01	T2A sensor/transmitter w/j-box, Ozone (O3), 0-100 ppm.....	1,645.00
66-6209-05	T2A sensor/transmitter with j-box, Ozone (O3), 0-5 ppm.....	1,645.00
66-6209-99	T2A sensor/transmitter with j-box, Ozone (O3), 0-100 ppm.....	1,645.00
66-6210-01	T2A sensor/transmitter w/j-box, Sulfur Dioxide (SO2), 0-20 ppm .....	1,645.00
66-6210-20	T2A sensor/transmitter with j-box, Sulfur Dioxide (SO2), 0-20 ppm .....	1,645.00
66-6211-10	T2A sensor/transmitter with j-box, Formaldehyde (HCHO), 0-10 ppm .....	2,095.00
66-6212-03	T2A sensor/transmitter with j-box, Chlorine (Cl2), 0-3 ppm.....	1,645.00
66-6212-10	T2A sensor/transmitter with j-box, Chlorine (Cl2), 0-10 ppm .....	1,645.00
66-6212-20	T2A sensor/transmitter with j-box, Chlorine (Cl2), 0-20 ppm .....	1,645.00
66-6213-01	T2A sensor/transmitter with j-box, Chlorine Dioxide (ClO2), 0-1 ppm .....	1,645.00
66-6213-05	T2A sensor/transmitter with j-box, Chlorine Dioxide (ClO2), 0-5 ppm .....	1,645.00
66-6214-01	T2A sensor/transmitter w/j-box, Hydrogen Fluoride (HF),0-10 ppm .....	2,095.00
66-6214-10	T2A sensor/transmitter with j-box, Hydrogen Fluoride (HF), 0-10 ppm .....	2,095.00
66-6215-05	T2A sensor/transmitter with j-box, Phosphine (PH3), 0-5 ppm .....	2,230.00
66-6216-10	T2A sensor/transmitter with j-box, Ethylene Oxide (ETO), 0-10 ppm .....	2,095.00
66-6239-40	T2A sensor/transmitter with j-box, Hydrogen (H2), 0-100% LEL (0-4% vol), EC sensor type .....	2,095.00
66-6268-01	T2A sensor/transmitter with j-box, Arsine (AsH3), 0-5 ppm .....	2,230.00
66-6301-03-R	T3A sensor/transmitter with j-box, Carbon Monoxide (CO), 0-300 ppm with 2 alarm relays .....	1,560.00
66-6301-05	T3A sensor/transmitter with j-box, Carbon Monoxide (CO), 0-500 ppm .....	1,340.00
66-6301-05-W	AirLink T3A sensor/transmitter with j-box, Carbon Monoxide (CO), 0-500 ppm with 900 MHz radio ...	3,395.00
66-6301-1K	T3A sensor/transmitter with j-box, Carbon Monoxide (CO), 0-1,000 ppm .....	1,340.00
66-6301-1K-R	T3A sensor/transmitter with j-box, Carbon Monoxide (CO), 0-1,000 ppm with 2 alarm relays .....	1,560.00
66-6301-1K-W	AirLink T3A sensor/transmitter with j-box, Carbon Monoxide (CO), 0-1,000 ppm with 900 MHz radio ...	3,395.00
66-6302-25	T3A sensor/transmitter with j-box, Oxygen (O2) capillary, 0-25% .....	1,495.00
66-6302-25-R	T3A sensor/transmitter with j-box, Oxygen (O2) capillary, 0-25% with 2 alarm relays .....	1,715.00
66-6302-25-W	AirLink T3A sensor/transmitter with j-box, Oxygen (O2) capillary, 0-25% with 900 MHz radio .....	3,550.00
66-6303-01	T3A sensor/transmitter with j-box, Hydrogen Sulfide (H2S), 0-10 ppm .....	1,340.00
66-6303-01-W	AirLink T3A sensor/transmitter with j-box, Hydrogen Sulfide (H2S), 0-10 ppm with 900 MHz radio .....	3,395.00
66-6303-02	T3A sensor/transmitter with j-box, Hydrogen Sulfide (H2S), 0-25 ppm .....	1,340.00
66-6303-02-W	AirLink T3A sensor/transmitter with j-box, Hydrogen Sulfide (H2S), 0-25 ppm with 900 MHz radio .....	3,395.00
66-6303-05	T3A sensor/transmitter with j-box, Hydrogen Sulfide (H2S), 0-50 ppm .....	1,340.00
66-6303-05-W	AirLink T3A sensor/transmitter with j-box, Hydrogen Sulfide (H2S), 0-50 ppm with 900 MHz radio .....	3,395.00
66-6303-10	T3A sensor/transmitter with j-box, Hydrogen Sulfide (H2S), 0-100 ppm.....	1,340.00
66-6303-10-R	T3A sensor/transmitter with j-box, Hydrogen Sulfide (H2S), 0-100 ppm with 2 alarm relays.....	1,560.00
66-6303-10-W	AirLink T3A sensor/transmitter with j-box, Hydrogen Sulfide (H2S), 0-100 ppm with 900 MHz radio ...	3,395.00
66-6303-20-W	T3A sensor/transmitter w/j-box,0-2000 ppm H2S sensor with 900 MHz radio .....	3,550.00
66-6303-2K	T3A sensor/transmitter with j-box, Hydrogen Sulfide (H2S), 0-2000 ppm .....	1,495.00
66-6303-2K-W	AirLink T3A sensor/transmitter with j-box, Hydrogen Sulfide (H2S), 0-2000 ppm with 900 MHz radio ...	3,395.00
66-6303-50	T3A sensor/transmitter with j-box, Hydrogen Sulfide (H2S), 0-500 ppm.....	1,340.00
66-6303-50-W	AirLink T3A sensor/transmitter with j-box, Hydrogen Sulfide (H2S), 0-500 ppm with 900 MHz radio ...	3,395.00
66-6304-20	T3A sensor/transmitter with j-box, Hydrogen Chloride (HCl), 0-20 ppm.....	1,495.00
66-6304-20-R	T3A sensor/transmitter with j-box, Hydrogen Chloride (HCl), 0-20 ppm with 2 alarm relays.....	1,715.00
66-6304-20-W	AirLink T3A sensor/transmitter with j-box, Hydrogen Chloride (HCl), 0-20 ppm with 900 MHz radio ...	3,550.00
66-6304-30	T3A sensor/transmitter with j-box, Hydrogen Chloride (HCl), 0-30 ppm.....	1,495.00
66-6304-30-R	T3A sensor/transmitter with j-box, HCl, 0-30 ppm, with 2 relays .....	1,715.00
66-6304-30-W	AirLink T3A sensor/transmitter with j-box, Hydrogen Chloride (HCl), 0-30 ppm with 900 MHz radio ...	3,550.00
66-6304-99	T3A sensor/transmitter with j-box, Hydrogen Chloride (HCl), 0-100 ppm .....	1,495.00
66-6304-99-W	AirLink T3A sensor/transmitter with j-box, Hydrogen Chloride (HCl), 0-100 ppm with 900 MHz radio ...	3,550.00
66-6305-15	T3A sensor/transmitter with j-box, Hydrogen Cyanide (HCN), 0-15 ppm .....	1,495.00
66-6305-15-R	T3A sensor/transmitter with j-box, Hydrogen Cyanide (HCN), 0-15 ppm with 2 alarm relays .....	1,715.00
66-6305-15-W	AirLink T3A sensor/transmitter with j-box, Hydrogen Cyanide (HCN), 0-15 ppm with 900 MHz radio ...	3,550.00
66-6305-50	T3A sensor/transmitter with j-box, Hydrogen Cyanide (HCN), 0-50 ppm .....	1,495.00
66-6305-50-R	T3A sensor/transmitter with j-box, HCN, 0-50 ppm, with 2 relays .....	1,715.00
66-6305-50-W	AirLink T3A sensor/transmitter with j-box, Hydrogen Cyanide (HCN), 0-50 ppm with 900 MHz radio ...	3,550.00
66-6306-10	T3A sensor/transmitter with j-box, Ammonia (NH3), 0-100 ppm .....	1,495.00

# Numerical Index

Part#	Description	Suggested Retail
66-6306-10-R	T3A sensor/transmitter with j-box, Ammonia (NH3), 0-100 ppm with 2 alarm relays.....	1,715.00
66-6306-10-W	AirLink T3A sensor/transmitter with j-box, Ammonia (NH3), 0-100 ppm with 900 MHz radio .....	3,550.00
66-6306-1K	T3A sensor/transmitter with j-box, Ammonia (NH3), 0-1000 ppm .....	1,495.00
66-6306-1K-W	AirLink T3A sensor/transmitter with j-box, Ammonia (NH3), 0-1000 ppm with 900 MHz radio .....	3,550.00
66-6306-20	T3A sensor/transmitter with j-box, Ammonia (NH3), 0-200 ppm .....	1,495.00
66-6306-20-R	T3A sensor/transmitter with j-box, Ammonia (NH3), 0-200 ppm with 2 alarm relays.....	1,715.00
66-6306-20-W	AirLink T3A sensor/transmitter with j-box, Ammonia (NH3), 0-200 ppm with 900 MHz radio .....	3,550.00
66-6306-30	T3A sensor/transmitter with j-box, Ammonia (NH3), 0-300 ppm .....	1,495.00
66-6306-30-W	AirLink T3A sensor/transmitter with j-box, Ammonia (NH3), 0-300 ppm with 900 MHz radio .....	3,550.00
66-6306-50	T3A sensor/transmitter with j-box, Ammonia (NH3), 0-500 ppm .....	1,495.00
66-6306-50-W	AirLink T3A sensor/transmitter with j-box, Ammonia (NH3), 0-500 ppm with 900 MHz radio .....	3,550.00
66-6307-25	T3A sensor/transmitter with j-box, Nitric Oxide (NO), 0-250 ppm .....	1,495.00
66-6307-25-R	T3A sensor/transmitter with j-box, Nitric Oxide (NO), 0-250 ppm with 2 alarm relays .....	1,715.00
66-6307-25-W	AirLink T3A sensor/transmitter with j-box, Nitric Oxide (NO), 0-250 ppm with 900 MHz radio .....	3,550.00
66-6308-20	T3A sensor/transmitter with j-box, Nitrogen Dioxide (NO2), 0-20 ppm .....	1,495.00
66-6308-20-R	T3A sensor/transmitter with j-box, Nitrogen Dioxide (NO2), 0-20 ppm with 2 alarm relays .....	1,715.00
66-6308-20-W	AirLink T3A sensor/transmitter with j-box, Nitrogen Dioxide (NO2), 0-20 ppm with 900 MHz radio.....	3,550.00
66-6309-05	T3A sensor/transmitter with j-box, Ozone (O3), 0-5 ppm.....	1,495.00
66-6309-05-W	AirLink T3A sensor/transmitter with j-box, Ozone (O3), 0-5 ppm with 900 MHz radio .....	3,550.00
66-6309-10	T3A sensor/transmitter with j-box, Ammonia (NH3), 0-100 ppm .....	1,495.00
66-6309-10-R	T3A sensor/transmitter with j-box, Ammonia (NH3), 0-100 ppm, with 2 relays .....	1,715.00
66-6309-20	T3A sensor/transmitter with j-box, Ammonia (NH3), 0-200 ppm .....	1,495.00
66-6309-20-R	T3A sensor/transmitter with j-box, Ammonia (NH3), 0-200 ppm, with 2 relays .....	1,715.00
66-6309-99	T3A sensor/transmitter with j-box, Ozone (O3), 0-100 ppm.....	1,495.00
66-6309-99-W	AirLink T3A sensor/transmitter with j-box, Ozone (O3), 0-100 ppm with 900 MHz radio .....	3,550.00
66-6310-20	T3A sensor/transmitter with j-box, Sulfur Dioxide (SO2), 0-20 ppm .....	1,495.00
66-6310-20-R	T3A sensor/transmitter with j-box, Sulfur Dioxide (SO2), 0-20 ppm with 2 alarm relays .....	1,715.00
66-6310-20-W	AirLink T3A sensor/transmitter with j-box, Sulfur Dioxide (SO2), 0-20 ppm with 900 MHz radio .....	3,550.00
66-6311-10	T3A sensor/transmitter with j-box, Formaldehyde (HCHO), 0-10 ppm .....	1,945.00
66-6311-10-W	AirLink T3A sensor/transmitter with j-box, Formaldehyde (HCHO), 0-10 ppm with 900 MHz radio .....	4,000.00
66-6312-03-R	T3A sensor/transmitter with j-box, Chlorine (Cl2), 0-3 ppm with 2 alarm relays.....	1,715.00
66-6312-10	T3A sensor/transmitter with j-box, Chlorine (Cl2), 0-10 ppm .....	1,495.00
66-6312-10-R	T3A sensor/transmitter with j-box, Chlorine (Cl2), 0-10 ppm with 2 alarm relays .....	1,715.00
66-6312-10-W	AirLink T3A sensor/transmitter with j-box, Chlorine (Cl2), 0-10 ppm with 900 MHz radio .....	3,550.00
66-6313-01	T3A sensor/transmitter with j-box, Chlorine Dioxide (ClO2), 0-1 ppm .....	1,495.00
66-6313-01-R	T3A sensor/transmitter with j-box, Chlorine Dioxide (ClO2), 0-1 ppm with 2 alarm relays.....	1,715.00
66-6313-01-W	AirLink T3A sensor/transmitter with j-box, Chlorine Dioxide (ClO2), 0-1 ppm with 900 MHz radio .....	3,550.00
66-6313-05	T3A sensor/transmitter with j-box, Chlorine Dioxide (ClO2), 0-5 ppm .....	1,495.00
66-6313-05-R	T3A sensor/transmitter with j-box, Chlorine Dioxide (ClO2), 0-5 ppm with 2 alarm relays.....	1,715.00
66-6314-10	T3A sensor/transmitter with j-box, Hydrogen Fluoride (HF), 0-10 ppm .....	1,945.00
66-6314-10-R	T3A sensor/transmitter with j-box, Hydrogen Fluoride (HF), 0-10 ppm with 2 alarm relays .....	2,165.00
66-6314-10-W	AirLink T3A sensor/transmitter with j-box, Hydrogen Fluoride (HF), 0-10 ppm with 900 MHz radio.....	4,000.00
66-6315-05	T3A sensor/transmitter with j-box, Phosphine (PH3), 0-5 ppm .....	2,080.00
66-6315-05-R	T3A sensor/transmitter with j-box, Phosphine (PH3), 0-5 ppm with 2 alarm relays .....	2,300.00
66-6315-05-W	AirLink T3A sensor/transmitter with j-box, Phosphine (PH3), 0-5 ppm with 900 MHz radio .....	4,135.00
66-6316-10	T3A sensor/transmitter with j-box, Ethylene Oxide (ETO), 0-10 ppm .....	1,945.00
66-6316-10-W	AirLink T3A sensor/transmitter with j-box, Ethylene Oxide (ETO), 0-10 ppm with 900 MHz radio .....	4,000.00
66-6339-40	T3A sensor/transmitter with j-box, Hydrogen (H2), 0-100% LEL (0-4% vol), EC .....	1,945.00
66-6339-40-W	AirLink T3A sensor/transmitter with j-box, Hydrogen (H2) 0-100% vol, IR with 900 MHz radio .....	4,000.00
66-6340-10	T3A sensor/transmitter with j-box, Hydrocarbon (CH4), 0-100% LEL catalytic .....	1,340.00
66-6340-10-R	T3A sensor/transmitter with j-box, Hydrocarbon(CH4) 0-100% LEL, catalytic with 2 alarm relays.....	1,560.00
66-6340-10-W	AirLink T3A sensor/transmitter with j-box, Hydrocarbon(CH4) 0-100%LEL, catalytic with 900 MHz radio .....	3,395.00
66-6350-05	T3A sensor/transmitter with j-box, Carbon Dioxide (CO2) IR, 0-5% vol .....	1,945.00
66-6350-05-R	T3A sensor/transmitter with j-box, Carbon Dioxide (CO2) IR, 0-5% vol with 2 alarm relays .....	2,165.00
66-6350-05-W	AirLink T3A sensor/transmitter with j-box, Carbon Dioxide (CO2) IR, 0-5% vol with 900 MHz radio .....	4,000.00
66-6351-01	T3A sensor/transmitter with j-box, LEL IR CH4, 0-100% LEL.....	1,945.00
66-6351-01-R	T3A sensor/transmitter with j-box, LEL IR CH4, 0-100% LEL, with 2 relays .....	2,165.00
66-6351-10-R	T3A sensor/transmitter with j-box, Hydrocarbon (CH4) 0-100% LEL, IR with 2 alarm relays .....	2,165.00
66-6351-10-W	AirLink T3A sensor/transmitter with j-box, Hydrocarbon (CH4) 0-100% LEL, IR with 900 MHz radio.....	4,000.00
66-6352-99-W	AirLink T3A sensor/transmitter with j-box, Hydrocarbon (CH4) 0-100% vol, IR with 900 MHz radio .....	4,000.00
66-6353-10	T3A sensor/transmitter with j-box, Hydrocarbon (HC) 0-100% LEL, IR .....	1,945.00

# Numerical Index

Part#	Description	Suggested Retail
66-6353-10-R	T3A sensor/transmitter with j-box, Hydrocarbon (HC) 0-100% LEL, IR with 2 alarm relays .....	2,165.00
66-6353-10-W	AirLink T3A sensor/transmitter with j-box, Hydrocarbon (HC) 0-100% LEL, IR with 900 MHz radio .....	4,000.00
66-6354-05	T3A sensor/transmitter with j-box, Carbon Dioxide (CO <sub>2</sub> ) IR, 0-5000 ppm .....	1,945.00
66-6354-05-W	AirLink T3A sensor/transmitter with j-box, Carbon Dioxide (CO <sub>2</sub> ), IR, 0-5000 ppm with 900 MHz radio .....	4,000.00
66-6362-99	T3A sensor/transmitter with j-box, Hydrocarbon (CH <sub>4</sub> ) 0-100% vol, IR .....	1,945.00
66-6368-01	T3A sensor/transmitter with j-box, Arsine (AsH <sub>3</sub> ), 0-1 ppm .....	2,080.00
66-6368-01-W	AirLink T3A sensor/transmitter with j-box, Arsine (AsH <sub>3</sub> ), 0-1 ppm with 900 MHz radio .....	4,135.00
66-6901-1K-W	Airlink 6900, Carbon Monoxide (CO) 0-1000 ppm, dual battery, wireless transmitter, 900 MHz radio ...	3,495.00
66-6902-25-W	Airlink 6900, Oxygen (O <sub>2</sub> ) 0-25% vol, dual battery, wireless transmitter, 900 MHz radio .....	3,650.00
66-6903-01-W	Airlink 6900, Hydrogen Sulfide (H <sub>2</sub> S) 0-10 ppm, dual battery, wireless transmitter, 900 MHz radio .....	3,495.00
66-6903-02-W	Airlink 6900, Hydrogen Sulfide (H <sub>2</sub> S) 0-25 ppm, dual battery, wireless transmitter, 900 MHz radio .....	3,495.00
66-6903-05-W	Airlink 6900, Hydrogen Sulfide (H <sub>2</sub> S) 0-50 ppm, dual battery, wireless transmitter, 900 MHz radio .....	3,495.00
66-6903-10-W	Airlink 6900, Hydrogen Sulfide (H <sub>2</sub> S) 0-100 ppm, dual battery, wireless transmitter, 900 MHz radio ...	3,495.00
66-6903-2K-W	Airlink 6900, Hydrogen Sulfide (H <sub>2</sub> S) 0-2000 ppm, dual battery, wireless transmitter, 900 MHz radio ...	3,495.00
66-6903-50-W	Airlink 6900, Hydrogen Sulfide (H <sub>2</sub> S) 0-500 ppm, dual battery, wireless transmitter, 900 MHz radio ...	3,495.00
66-6904-20-W	Airlink 6900, Hydrogen Chloride (HCl) 0-20 ppm, dual battery, wireless transmitter, 900 MHz radio ...	3,650.00
66-6904-99-W	Airlink 6900, Hydrogen Chloride (HCl) 0-100 ppm, dual battery, wireless transmitter, 900 MHz radio ...	3,650.00
66-6905-50-W	Airlink 6900, Hydrogen Cyanide (HCN) 0-50 ppm, dual battery, wireless transmitter, 900 MHz radio ...	3,650.00
66-6906-10-W	Airlink 6900, Ammonia (NH <sub>3</sub> ) 0-100 ppm, dual battery, wireless transmitter, 900 MHz radio .....	3,650.00
66-6906-1K-W	Airlink 6900, Ammonia (NH <sub>3</sub> ) 0-1000 ppm, dual battery, wireless transmitter, 900 MHz radio .....	3,650.00
66-6907-25-W	Airlink 6900, Nitric Oxide (NO) 0-25 ppm, dual battery, wireless transmitter, 900 MHz radio .....	3,650.00
66-6908-20-W	Airlink 6900, Nitrogen Dioxide (NO <sub>2</sub> ) 0-20 ppm, dual battery, wireless transmitter, 900 MHz radio .....	3,650.00
66-6909-05-W	Airlink 6900, Ozone (O <sub>3</sub> ) 0-5 ppm, dual battery, wireless transmitter, 900 MHz radio .....	3,650.00
66-6909-99-W	Airlink 6900, Ozone (O <sub>3</sub> ) 0-100 ppm, dual battery, wireless transmitter, 900 MHz radio .....	3,650.00
66-6910-20-W	Airlink 6900, Sulfur Dioxide (SO <sub>2</sub> ) 0-20 ppm, dual battery, wireless transmitter, 900 MHz radio .....	3,650.00
66-6911-10-W	Airlink 6900, Formaldehyde (HCHO) 0-10 ppm, dual battery, wireless transmitter, 900 MHz radio .....	4,100.00
66-6912-10-W	Airlink 6900, Chlorine (Cl <sub>2</sub> ) 0-10 ppm, dual battery, wireless transmitter, 900 MHz radio .....	3,650.00
66-6913-01-W	Airlink 6900, Chlorine Dioxide (ClO <sub>2</sub> ) 0-1 ppm, dual battery, wireless transmitter, 900 MHz radio .....	3,650.00
66-6914-10-W	Airlink 6900, Hydrogen Fluoride (HF) 0-10 ppm, dual battery, wireless transmitter, 900 MHz radio .....	4,100.00
66-6915-05-W	Airlink 6900, Phosphine (PH <sub>3</sub> ) 0-5 ppm, dual battery, wireless transmitter, 900 MHz radio .....	4,235.00
66-6916-10-W	Airlink 6900, Ethylene Oxide (ETO) 0-10 ppm, dual battery, wireless transmitter, 900 MHz radio .....	4,100.00
66-6939-40-W	Airlink 6900, Hydrogen (H <sub>2</sub> ), 0-100% LEL (0-4% vol), EC, dual battery, wireless transmitter, 900 MHz radio.....	4,100.00
66-6960-10-W	Airlink 6900, Combustibles (CH <sub>4</sub> ) 0-100% LEL, LPIR, dual battery, wireless transmitter, 900 MHz radio	4,100.00
66-6962-10-W	Airlink 6900, Combustibles (HC) 0-100% vol, LPIR, dual battery, wireless transmitter, 900 MHz radio ...	4,100.00
66-6963-10-W	Airlink 6900, Combustibles (HC) 0-100% LEL, LPIR, dual battery, wireless transmitter, 900 MHz radio ...	4,100.00
66-6967-05-W	Airlink 6900, Carbon Dioxide (CO <sub>2</sub> ) 0-5% vol, LPIR, dual battery, wireless transmitter, 900 MHz radio ...	4,100.00
66-6968-01-W	Airlink 6900, Arsine (AsH <sub>3</sub> ) 0-1 ppm, dual battery, wireless transmitter, 900 MHz radio .....	4,235.00
66-6992-01-W	Airlink 6900, VOC (10.6 eV PID) 0-10 ppm, dual battery, wireless transmitter, 900 MHz radio .....	4,640.00
66-6992-02-W	Airlink 6900, VOC (10.6 eV PID) 0-20 ppm, dual battery, wireless transmitter, 900 MHz radio .....	4,640.00
66-6992-50-W	Airlink 6900, VOC (10.6 eV PID) 0-50 ppm, dual battery, wireless transmitter, 900 MHz radio .....	4,640.00
66-6993-10-W	Airlink 6900, VOC (10.6 eV PID) 0-100 ppm, dual battery, wireless transmitter, 900 MHz radio .....	4,480.00
66-6993-1K-W	Airlink 6900, VOC (10.6 eV PID) 0-1000 ppm, dual battery, wireless transmitter, 900 MHz radio .....	4,480.00
66-6993-20-W	Airlink 6900, VOC (10.6 eV PID) 0-200 ppm, dual battery, wireless transmitter, 900 MHz radio .....	4,480.00
66-6993-2K-W	Airlink 6900, VOC (10.6 eV PID) 0-2000 ppm, dual battery, wireless transmitter, 900 MHz radio .....	4,480.00
66-6993-50-W	Airlink 6900, VOC (10.6 eV PID) 0-500 ppm, dual battery, wireless transmitter, 900 MHz radio .....	4,480.00
66-6994-10-W	Airlink 6900, VOC (11.7 eV PID) 0-100 ppm, dual battery, wireless transmitter, 900 MHz radio .....	4,740.00
66-6995-01-W	Airlink 6900, VOC (10.0 eV PID) 0-10 ppm, dual battery, wireless transmitter, 900 MHz radio .....	4,740.00
66-6995-02-W	Airlink 6900, VOC (10.0 eV PID) 0-20 ppm, dual battery, wireless transmitter, 900 MHz radio .....	4,740.00
66-6995-05-W	Airlink 6900, VOC (10.0 eV PID) 0-50 ppm, dual battery, wireless transmitter, 900 MHz radio .....	4,740.00
66-6995-10-W	Airlink 6900, VOC (10.0 eV PID) 0-100 ppm, dual battery, wireless transmitter, 900 MHz radio .....	4,740.00
66-7530-2N-A	AirLink 7530 relay module, 32 wireless channels with 100-240 VAC power, 2.4 GHz radio, non explosion proof .....	2,300.00
66-7530-2N-D	AirLink 7530 relay module, 32 wireless channels with 12-35 VDC power, 2.4 GHz radio, non explosion proof .....	2,080.00
66-7530-2X-A	AirLink 7530 wireless relay, explosion proof, 2.4 GHz radio, 100-240 VAC power .....	3,680.00
66-7530-2X-D	AirLink 7530 wireless relay, explosion proof, 2.4 GHz radio, 12-35 VDC power .....	3,480.00
66-7530-9N-A	AirLink 7530 relay module, 32 wireless channels with 100-240 VAC power, 900 MHz radio, non explosion proof .....	2,300.00
66-7530-9N-D	AirLink 7530 relay module, 32 wireless channels with 12-35 VDC power, 900 MHz radio, non explosion proof .....	2,080.00

# Numerical Index

<b>Part#</b>	<b>Description</b>	<b>Suggested Retail</b>
66-7530-9X-A	AirLink 7530 wireless relay, explosion proof, 900 MHz radio, 100-240 VAC power .....	3,680.00
66-7530-9X-D	AirLink 7530 wireless relay, explosion proof, 900 MHz radio, 12-35 VDC power .....	3,480.00
66-9900-2	AirLink 9900 signal repeater, 2.4 GHz radio, 12-35 VDC power, with one flexible antenna and one right-angle antenna .....	3,420.00
66-9900-2N-A	AirLink 9900 signal repeater, 2.4 GHz radio with one flexible and one right angle antenna, 100-240 VAC power, non-explosion proof.....	1,760.00
66-9900-2N-D	AirLink 9900 signal repeater, 2.4 GHz radio with one flexible and one right angle antenna, 12-35 VDC power, non-explosion proof .....	1,540.00
66-9900-9	AirLink 9900 signal repeater, 900 MHz radio, 12-35 VDC power, with one flexible antenna and one right-angle antenna .....	3,420.00
66-9900-9N-A	AirLink 9900 signal repeater, 900 MHz radio with one flexible and one right angle antenna, 100-240 VAC power, non-explosion proof.....	1,760.00
66-9900-9N-D	AirLink 9900 signal repeater, 900 MHz radio with one flexible and one right angle antenna, 12-35 VDC power, non-explosion proof .....	1,540.00
71-0089RK	Operator's Manual, Model GX-2003 .....	6.00
71-0129RK	Quick reference card,2-sided,standard Eagle .....	2.00
71-0129RK-SPN	Quick reference card,2-sided,standard Eagle,Spanish .....	2.00
71-0140RK	Quick reference card,GasWatch 2 .....	2.00
71-0140RK-SPN	Quick reference card,GasWatch 2,Spanish .....	2.00
71-0141RK	Quick reference card,01 Series .....	2.00
71-0141RK-SPN	Quick reference card,01 Series,Spanish.....	2.00
71-0152RK	Quick Reference Guide,SC-01 Toxic Gas Monitor .....	2.00
71-0152RK-SPN	Quick Reference Guide,SC-01 Toxic Gas Monitor,Spanish .....	2.00
71-0160RK	Quick Reference Guide,GX-2009 .....	2.00
71-0186RK	Quick Reference Guide, Eagle 2 .....	2.00
72-0012	GasWatch 3, O2, Galvanic sensor, with alligator clip.....	195.00
72-0012-01	GasWatch 3, O2, Galvanic sensor, with wrist band .....	195.00
72-0018	OX-04, Oxygen (O2) 0-40%, alkaline batteries and alligator clip .....	195.00
72-0037	GP-03, 0-100 % LEL with alligator clip and alkaline batteries .....	320.00
72-0037-05	GP-03, 0-100 % LEL with alligator clip, alkaline batteries, and calibration cup .....	345.00
72-0037-50	Kit including a GP-03 with alkaline batteries, screwdriver, and small padded case .....	405.00
72-0037-56	Kit including a GP-03 with alkaline batteries, screwdriver, case, and calibration kit (34L cyl 50% LEL CH4/Air, regulator, cal cup & tubing).....	640.00
72-0038	GP-03, 0-100 % LEL with alligator clip and Ni-MH batteries only with no charger .....	345.00
72-0038-01	GP-03, 0-100 % LEL with alligator clip and Ni-MH batteries with 100-240 VAC / 12 VDC bench charger for 4 batteries .....	375.00
72-0038-05	GP-03, 0-100 % LEL with alligator clip and Ni-MH batteries with 100-240 VAC / 12 VDC bench charger for 4 batteries and calibration cup .....	405.00
72-0038-50	Kit including a GP-03 with Ni-MH batteries and 100-240 VAC / 12 VDC bench charger for 4 batteries, screwdriver, and small padded case .....	465.00
72-0038-56	Kit including a GP-03 with Ni-MH batteries and 100-240 VAC / 12 VDC bench charger for 4 batteries, screwdriver, case, and calibration kit (34L cyl 50% LEL CH4/Air, regulator, cal cup & tubing) .....	700.00
72-0064-05	SP-220 gas leak checker, type SC for super toxics.....	680.00
72-0064-06	SP-220 gas leak checker, type FUM for fumigation gases.....	840.00
72-0064-07	SP-220 gas leak checker, type M for methane .....	840.00
72-0064-08	SP-220 gas leak checker, type L for LPG .....	840.00
72-0064-09	SP-220 gas leak checker, type F for chlorofluorocarbons CFC's .....	840.00
72-0064-10	SP-220 gas leak checker, type H2 for hydrogen .....	895.00
72-0076-CH4	GP-1000 sample draw combustible detector for methane, 0 - 10% LEL / 100% LEL .....	995.00
72-0076-CH4-01	GP-1000 sample draw combustible detector for methane, 0 - 10% LEL / 100% LEL, with carrying case and screen protector .....	1,100.00
72-0076-CH4-51	GP-1000 sample draw combustible detector for methane, 0 - 10% LEL / 100% LEL, with carrying case, 34L 50% LEL CH4 in Air, demand flow regulator, tubing and screen protector .....	1,560.00
72-0076-HC	GP-1000 sample draw combustible detector for isobutane, 0 - 10% LEL / 100% LEL .....	995.00
72-0077-HC	NC-1000 sample draw combustible detector for isobutane, 0 - 1000 ppm / 10,000 ppm .....	1,895.00
72-0290-01-A	GX-2012, 1 sensor, LEL with alkaline battery pack .....	845.00
72-0290-01-A-50	CSK,GX-2012,1-sensor,LEL, with alkaline battery pack .....	960.00
72-0290-01-B	GX-2012,1-sensor,LEL, with alkaline & Li-ion battery packs/charger/AC adapter .....	1,105.00
72-0290-01-C	GX-2012,1-sensor,LEL, with Li-ion battery pack/charger/AC adapter .....	1,045.00
72-0290-01-D	GX-2012,1-sensor,LEL, with lithium battery pack/charger/12VDC adapter w/vehicle Plug .....	1,045.00
72-0290-01-E	GX-2012,1-sensor,LEL,with alkaline & Li-ion battery packs/charger/DC adapter w/vehicle plug .....	1,105.00

# Numerical Index

Part#	Description	Suggested Retail
72-0290-01-F	GX-2012,1-sensor,LEL, with Li-ion battery pack/charger/AC and DC adapters .....	1,065.00
72-0290-01-G	GX-2012,1-sensor,LEL, with alkaline & Li-ion battery packs/charger/AC & DC adapters.....	1,125.00
72-0290-01-H	GX-2012,1-sensor,LEL, with Li-ion battery pack, no charger .....	995.00
72-0290-02-A	GX-2012, 1 sensor, O2 with alkaline battery pack.....	845.00
72-0290-02-A-51	CSK,GX-2012,1-sensor,oxygen, with alkaline battery pack/34 liter cal kit .....	1,300.00
72-0290-02-B	GX-2012,1-sensor, O2, with alkaline & Li-ion battery packs/charger/AC adapter .....	1,105.00
72-0290-02-C	GX-2012,1-sensor, O2, with Li-ion battery pack/charger/AC adapter .....	1,045.00
72-0290-02-D	GX-2012,1-sensor, O2, with Li-ion battery pack/charger/12VDC adapter w/vehicle plug .....	1,045.00
72-0290-02-E	GX-2012,1-sensor,O2,w/alkaline & Li-ion battery packs/charger/DC adapter w/vehicle plug .....	1,105.00
72-0290-02-F	GX-2012,1-sensor,O2,with Li-ion battery pack/charger/AC and DC adapters .....	1,065.00
72-0290-02-G	GX-2012,1-sensor,O2,with alkaline & Li-ion battery packs/charger/AC & DC adapters .....	1,125.00
72-0290-02-H	GX-2012,1-sensor, O2, with Li-ion battery pack, no charger .....	995.00
72-0290-03-A-01	GX-2012,1-sensor,0-500 ppm H2S w/dilution mode/4:1 dilution fitting,with alkaline batt pk .....	995.00
72-0290-03-B	GX-2012,1-sensor,H2S,with alkaline & Li-ion battery packs/charger/AC adapter .....	1,105.00
72-0290-03-C	GX-2012,1-sensor,H2S,with Li-ion battery pack/charger/AC adapter .....	1,045.00
72-0290-03-C-01	GX-2012,1-sensor,0-500 ppm H2S w/dilution mode,with Li-ion battery pack/charger/AC adapter .....	1,195.00
72-0290-03-D	GX-2012,1-sensor,H2S,with Li-ion battery pack/charger/12VDC adapter w/vehicle plug .....	1,045.00
72-0290-03-E	GX-2012,1-sensor,H2S,w/alkaline & Li-ion battery packs/charger/DC adapter w/vehicle plug .....	1,105.00
72-0290-03-F	GX-2012,1-sensor,H2S,with Li-ion battery pack/charger/AC and DC adapters .....	1,065.00
72-0290-03-G	GX-2012,1-sensor,H2S,with alkaline & Li-ion battery packs/charger/AC & DC adapters.....	1,125.00
72-0290-03-H	GX-2012,1-sensor,H2S,with Li-ion battery pack, no charger .....	995.00
72-0290-04-A	GX-2012, 1 sensor, CO with alkaline battery pack.....	845.00
72-0290-04-B	GX-2012,1-sensor,CO,with alkaline & Li-ion battery packs/charger/AC adapter .....	1,105.00
72-0290-04-C	GX-2012,1-sensor,CO,with Li-ion battery pack/charger/AC adapter .....	1,045.00
72-0290-04-D	GX-2012,1-sensor,CO,with Li-ion battery pack/charger/12VDC adapter w/vehicle plug .....	1,045.00
72-0290-04-E	GX-2012,1-sensor,CO,w/alkaline & Li-ion battery packs/charger/DC adapter w/vehicle plug .....	1,105.00
72-0290-04-F	GX-2012,1-sensor,CO,w/Li-ion battery pack/charger/AC and DC adapters.....	1,065.00
72-0290-04-G	GX-2012,1-sensor,CO,with alkaline & Li-ion battery packs/charger/AC & DC adapters .....	1,125.00
72-0290-04-H	GX-2012,1-sensor,CO,with Li-ion battery pack, no charger .....	995.00
72-0290-08-A	GX-2012, 2 sensor, LEL / O2 with alkaline battery pack .....	895.00
72-0290-08-B	GX-2012,2-sensor,LEL/O2,with alkaline & Li-ion battery packs/charger/AC adapter .....	1,155.00
72-0290-08-C	GX-2012, 2-sensor, LEL/O2, with Li-ion battery pack/charger/AC adapter .....	1,095.00
72-0290-08-C-SI	GX-2012,2-sensor, LEL/O2,with Li-ion battery pack/charger/AC adapter,w/silicone resistant LEL sensor .....	1,095.00
72-0290-08-D	GX-2012, 2-sensor, LEL/O2, with Li-ion battery pack/charger/12VDC adapter/vehicle plug .....	1,095.00
72-0290-08-E	GX-2012, 2-sensor,LEL/O2,w/ alkaline & Li-ion battery packs/charger/DC adptr w/vehicle plug .....	1,155.00
72-0290-08-F	GX-2012, 2-sensor, LEL/O2, with Li-ion battery pack/charger/AC and DC adapters .....	1,115.00
72-0290-08-G	GX-2012, 2-sensor, LEL/O2, with alkaline & Li-ion battery packs/charger/AC & DC adapters .....	1,175.00
72-0290-08-H	GX-2012, 2-sensor, LEL/O2, with Li-ion battery pack, no charger .....	1,045.00
72-0290-09-A	GX-2012, 2 sensor, LEL / H2S with alkaline battery pack .....	895.00
72-0290-09-B	GX-2012, 2-sensor, LEL/H2S, with alkaline & Li-ion battery packs/charger/AC adapter .....	1,155.00
72-0290-09-C	GX-2012, 2-sensor, LEL/H2S, with Li-ion battery pack/charger/AC adapter .....	1,095.00
72-0290-09-D	GX-2012, 2-sensor, LEL/H2S, with Li-ion battery pack/charger/12VDC adapter/vehicle plug .....	1,095.00
72-0290-09-E	GX-2012, 2-sensor,LEL/H2S,w/alkaline & Li-ion battery packs/chgr/DC adapter w/vehicle plug .....	1,155.00
72-0290-09-F	GX-2012, 2-sensor, LEL/H2S, with Li-ion battery pack/charger/AC and DC adapters .....	1,115.00
72-0290-09-G	GX-2012, 2-sensor, LEL/H2S, with alkaline & Li-ion battery packs/charger/AC & DC adapters .....	1,175.00
72-0290-09-H	GX-2012, 2-sensor, LEL/H2S, with Li-ion battery pack, no charger .....	1,045.00
72-0290-10-A	GX-2012, 2 sensor, LEL / CO with alkaline battery pack .....	895.00
72-0290-10-B	GX-2012, 2-sensor, LEL/CO, with alkaline & Li-ion battery packs/charger/AC adapter .....	1,155.00
72-0290-10-C	GX-2012, 2-sensor, LEL/CO, with Li-ion battery pack/charger/AC adapter .....	1,095.00
72-0290-10-D	GX-2012, 2-sensor, LEL/CO, with Li-ion battery pack/charger/12VDC adapter/vehicle plug .....	1,095.00
72-0290-10-E	GX-2012, 2-sensor,LEL/CO,w/alkaline & Li-ion battery packs/charger/DC adapter w/vehicle plug .....	1,155.00
72-0290-10-F	GX-2012, 2-sensor, LEL/CO, with Li-ion battery pack/charger/AC and DC adapters .....	1,115.00
72-0290-10-G	GX-2012, 2-sensor, LEL/CO, with alkaline & Li-ion battery packs/charger/AC & DC adapters.....	1,175.00
72-0290-10-H	GX-2012, 2-sensor, LEL/CO, with Li-ion battery pack, no charger .....	1,045.00
72-0290-12-A	GX-2012, 2 sensor, O2 / CO with alkaline battery pack.....	895.00
72-0290-12-B	GX-2012, 2-sensor, O2/CO, with alkaline & Li-ion battery packs/charger/AC adapter .....	1,155.00
72-0290-12-C	GX-2012, 2-sensor, O2/CO, with Li-ion battery pack/charger/AC adapter .....	1,095.00
72-0290-12-D	GX-2012, 2-sensor, O2/CO, with Li-ion battery pack/charger/12VDC adapter/vehicle plug .....	1,095.00
72-0290-12-E	GX-2012, 2-sensor, O2/CO, with alkaline & Li-ion battery packs/chgr/DC adapter w/veh plug .....	1,155.00
72-0290-12-F	GX-2012, 2-sensor, O2/CO, with Li-ion battery pack/charger/AC and DC adapters .....	1,115.00
72-0290-12-G	GX-2012, 2-sensor, O2/CO, with alkaline & Li-ion battery packs/charger/AC & DC adapters .....	1,175.00



# Numerical Index

Part#	Description	Suggested Retail
72-0290-12-H	GX-2012, 2-sensor, O2/CO, with Li-ion battery pack, no charger .....	1,045.00
72-0290-14-A	GX-2012, 2-sensor, O2/H2S, with alkaline battery pack .....	895.00
72-0290-14-A-01	GX-2012, 2-sensor, O2/H2S, with H2S dilution mode,with alkaline battery pack .....	1,045.00
72-0290-14-B	GX-2012, 2-sensor, O2/H2S, with alkaline & Li-ion battery packs/charger/AC adapter .....	1,155.00
72-0290-14-C	GX-2012, 2-sensor, O2/H2S, with Li-ion battery pack/charger/AC adapter .....	1,095.00
72-0290-14-D	GX-2012, 2-sensor, O2/H2S, with Li-ion battery pack/charger/12VDC adapter/vehicle plug .....	1,095.00
72-0290-14-E	GX-2012, 2-sensor, O2/H2S, with alkaline & Li-ion battery packs/chgr/DC adapter w/veh plug .....	1,155.00
72-0290-14-F	GX-2012, 2-sensor, O2/H2S, with Li-ion battery pack/charger/AC and DC adapters .....	1,115.00
72-0290-14-G	GX-2012, 2-sensor, O2/H2S, with alkaline & Li-ion battery packs/charger/AC & DC adapters .....	1,175.00
72-0290-14-H	GX-2012, 2-sensor, O2/H2S, with Li-ion battery pack, no charger .....	1,045.00
72-0290-16-A	GX-2012, 3 sensor, LEL / O2 / H2S with alkaline battery pack .....	945.00
72-0290-16-B	GX-2012, 3-sensor, LEL/O2/H2S, with alkaline & Li-ion battery packs/charger/AC adapter .....	1,205.00
72-0290-16-C	GX-2012, 3-sensor, LEL/O2/H2S, with Li-ion battery pack/charger/AC adapter .....	1,145.00
72-0290-16-D	GX-2012, 3-sensor, LEL/O2/H2S, with Li-ion battery pack/charger/12VDC adapter/vehicle plug .....	1,145.00
72-0290-16-E	GX-2012, 3-sensor,LEL/O2/H2S,w/alkaline & Li-ion battery packs/chagr/DC adpter w/veh plug .....	1,205.00
72-0290-16-F	GX-2012, 3-sensor, LEL/O2/H2S, with Li-ion battery pack/charger/AC and DC adapters .....	1,165.00
72-0290-16-G	GX-2012, 3-sensor, LEL/O2/H2S, with alkaline & Li-ion battery packs/charger/AC & DC adaptrs .....	1,225.00
72-0290-16-H	GX-2012, 3-sensor, LEL/O2/H2S, with Li-ion battery pack, no charger .....	1,095.00
72-0290-17-A	GX-2012, 3 sensor, LEL / O2 / CO with alkaline battery pack .....	945.00
72-0290-17-B	GX-2012, 3-sensor, LEL/O2/CO, with alkaline & Li-ion battery packs/charger/AC adapter .....	1,205.00
72-0290-17-C	GX-2012, 3 sensor, LEL / O2 / CO with Li-Ion battery pack and 115 VAC charger .....	1,145.00
72-0290-17-C-51	GX-2012,3-sensor,LEL/Oxy/CO,with Li-ion batt pack/charger/AC adapter,34 liter cal kit .....	1,560.00
72-0290-17-D	GX-2012, 3-sensor, LEL/O2/CO, with Li-ion battery pack/charger/12VDC adapter/vehicle plug .....	1,145.00
72-0290-17-E	GX-2012, 3-sensor, LEL/O2/CO, with alkaline & Li-ion battery packs/chgr/DC adptrw/veh plug .....	1,205.00
72-0290-17-F	GX-2012, 3-sensor, LEL/O2/CO, with Li-ion battery pack/charger/AC and DC adapters .....	1,165.00
72-0290-17-G	GX-2012, 3-sensor, LEL/O2/CO, with alkaline & Li-ion battery packs/charger/AC & DC adapters .....	1,225.00
72-0290-17-H	GX-2012, 3-sensor, LEL/O2/CO, with Li-ion battery pack,no charger .....	1,095.00
72-0290-18-A	GX-2012, 3 sensor, LEL / % volume CH4 / O2 with alkaline battery pack.....	995.00
72-0290-18-B	GX-2012, 3-sensor,LEL/% volume CH4/O2,w/alkaline & Li-ion battery packs/charger/AC adapter .....	1,255.00
72-0290-18-C	GX-2012, 3-sensor, LEL/% volume CH4/O2, with Li-ion battery pack/charger/AC adapter .....	1,195.00
72-0290-18-D	GX-2012, 3-sensor,LEL/% volume CH4/O2,w/Li-ion battery pack/charger/12VDC adpt/vehicle plug ...	1,195.00
72-0290-18-E	GX-2012, 3-sensor,LEL/% vol CH4/O2,w/alkaline & Li-ion battery packs/chgr/DC adapt/veh plug .....	1,255.00
72-0290-18-F	GX-2012, 3-sensor, LEL/% volume CH4/O2, with Li-ion battery pack/charger/AC and DC adapters .....	1,215.00
72-0290-18-G	GX-2012, 3-sensor,LEL/% volume CH4/O2,w/alkaline & Li-ion batt packs/chgr/AC & DC adapters .....	1,275.00
72-0290-18-H	GX-2012, 3-sensor, LEL/% volume CH4/O2, with Li-ion battery pack, no charger .....	1,145.00
72-0290-22-A	GX-2012, 4 sensor, LEL / O2 / H2S / CO with alkaline battery pack .....	995.00
72-0290-22-A-20	GX-2012,4-sensor,LEL/Oxy/CO/H2S,w/alkaline battery pack,w/20 foot hose .....	1,000.00
72-0290-22-A-50	GX-2012 bundle, 4 sensors, LEL / O2 / H2S / CO unit with alkaline battery pack, and padded case .....	1,110.00
72-0290-22-A-51	GX-2012 bundle, 4 sensors, LEL / O2 / H2S / CO unit with alkaline battery pack, 34AL cyl H2S/CO/O2/CH4, demand flow regulator, tubing and padded case .....	1,515.00
72-0290-22-B	GX-2012, 4 sensors, LEL / O2 / H2S / CO unit with Li-Ion battery pack and alkaline battery pack .....	1,255.00
72-0290-22-B-20	GX-2012,4-sensor,LEL/Oxy/CO/H2S,w/alk & Li-ion batt packs/charger/AC adapter/20 ft hose .....	1,265.00
72-0290-22-B-50	CSK,GX-2012,4-sensor,LEL/Oxy/CO/H2S,w/Alkaline & Li-ion battery packs/charger/AC adapter .....	1,365.00
72-0290-22-B-51	GX-2012 bundle, 4 sensors, LEL / O2 / H2S / CO unit with Li-Ion battery pack and alkaline battery pack, 34AL cyl H2S/CO/O2/CH4, demand flow regulator, tubing and padded case ...	1,840.00
72-0290-22-C	GX-2012, 4 sensors, LEL / O2 / H2S / CO unit with Li-Ion battery pack and 115 VAC charger .....	1,195.00
72-0290-22-C-50	GX-2012 bundle, 4 sensors, LEL / O2 / H2S / CO unit with Li-Ion battery pack and 115 VAC charger, and padded case .....	1,310.00
72-0290-22-C-51	GX-2012 bundle, 4 sensors, LEL / O2 / H2S / CO unit with Li-Ion battery pack and 115 VAC charger, 34AL cyl H2S/CO/O2/CH4, demand flow regulator, tubing and padded case .....	1,715.00
72-0290-22-C-65	CSK,GX-2012,4-sensor,LEL/Oxy/CO/H2S,w/extra Li-ion batt pack/charger/AC adapter/20 ft hose .....	1,508.00
72-0290-22-CPPL	GX-2012,4-sensor,LEL/Oxy/CO/H2S,w/extra Li-ion batt pack/charger/AC adapter/20 ft hose,PPL setup	1,400.00
72-0290-22-D	GX-2012, 4 sensors, LEL / O2 / H2S / CO unit with Li-Ion battery pack with 12 VDC charger .....	1,195.00
72-0290-22-E	GX-2012,4-sensor,LEL/Oxy/CO/H2S,w/alkaline & Li-ion battery packs/chgr/DC adptr w/veh plug .....	1,255.00
72-0290-22-F	GX-2012 with Li-ion battery pack, 115 VAC charger, 12 VDC cord with vehicle plug .....	1,215.00
72-0290-22-F-50	CSK,GX-2012,4-sensor,LEL/Oxy/CO/H2S,with Li-ion battery pack/charger/AC and DC adapters .....	1,335.00
72-0290-22-F-51	CSK,GX-2012,4-sensor,LEL/Oxy/CO/H2S,w/Li-ion pack/charger/AC and DC adapters/34 liter cal kit ...	1,755.00
72-0290-22-F-64	GX-2012 with Li-ion battery pack, 115 VAC charger, 12 VDC cord with vehicle plug, screwdriver, and padded carrying case.....	1,335.00
72-0290-22-G	GX-2012,4-sensor,LEL/Oxy/CO/H2S,w/alkaline & Li-ion battery packs/charger/AC & DC adapters .....	1,275.00
72-0290-22-G-51	GX-2012,4-sensor,LEL/Oxy/CO/H2S,w/alk & Li-ion batt packs/chgr/AC & DC adapters/34 liter cal kit ...	1,795.00

# Numerical Index

Part#	Description	Suggested Retail
72-0290-22-H	GX-2012,4-sensor,LEL/Oxy/CO/H2S,with Li-ion battery pack, no charger .....	1,145.00
72-0290-23-A	GX-2012, 4 sensor, LEL / % volume CH4 / O2 / CO with alkaline battery pack.....	1,045.00
72-0290-23-A-52	CSK, GX-2012, 4-sensor,LEL/%volume/Oxy/CO,w/alkaline battery pack/34 liter cal kit .....	2,030.00
72-0290-23-B	GX-2012, 4-sensor,LEL/% volume CH4/O2/CO,w/alkaline & Li-ion battery packs/chgr/AC adapter .....	1,305.00
72-0290-23-C	GX-2012, 4-sensor, LEL/% volume CH4/O2/CO, with Li-ion battery pack/charger/AC adapter .....	1,245.00
72-0290-23-D	GX-2012, 4-sensor,LEL/% volume CH4/O2/CO,w/Li-ion battery pack/charger/12VDC/vehicle plug .....	1,245.00
72-0290-23-E	GX-2012, 4-sensor,LEL/% volume CH4/O2/CO,w/alkaline & Li-ion battery packs/chgr/DC/veh plug ...	1,305.00
72-0290-23-F	GX-2012, 4-sensor, LEL/% volume CH4/O2/CO, with Li-ion battery pack/charger/AC & DC adapter .....	1,265.00
72-0290-23-G	GX-2012, 4-sensor,LEL/% volume CH4/O2/CO,w/alkaline & Li-ion batt packs/chgr/AC/DC adapters ...	1,325.00
72-0290-23-H	GX-2012, 4-sensor, LEL/% volume CH4/O2/CO, with Li-ion battery pack, no charger .....	1,195.00
72-0290-24-A	GX-2012, 4 sensor, LEL / % volume CH4 / O2 / H2S with alkaline battery pack .....	1,045.00
72-0290-24-B	GX-2012, 4-sensor,LEL/% volume CH4/O2/H2S,w/alkaline & Li-ion battery packs/chgr/AC adapter.....	1,305.00
72-0290-24-C	GX-2012, 4-sensor, LEL/% volume CH4/O2/H2S, with Li-ion battery pack/charger/AC adapter .....	1,245.00
72-0290-24-C-01	SEE APPS,GX-2012,4-sensor,LEL/%vol CH4/O2/H2S,w/H2S dilution mode/Li-ion batt pack/chgr/AC adtr	1,395.00
72-0290-24-D	GX-2012, 4-sensor,LEL/% volume CH4/O2/H2S,w/Li-ion battery pack/charger/12VDC/vehicle plug ...	1,245.00
72-0290-24-E	GX-2012, 4-sensor,LEL/% volume CH4/O2/H2S,w/alkaline & Li-ion battery packs/chgr/DC adapter ...	1,305.00
72-0290-24-F	GX-2012, 4-sensor, LEL/% volume CH4/O2/H2S, with Li-ion battery pack/charger/AC & DC adptrs .....	1,265.00
72-0290-24-G	GX-2012, 4-sensor,LEL/% volume CH4/O2/H2S,w/alkaline & Li-ion batt packs/chgr/AC & DC adapt ...	1,325.00
72-0290-24-H	GX-2012, 4-sensor, LEL/% volume CH4/O2/H2S, with Li-ion battery pack, no charger .....	1,195.00
72-0290-27-A	GX-2012, 5 sensor, LEL / % volume CH4 / O2 / H2S / CO with alkaline battery pack .....	1,095.00
72-0290-27-A-51	GX-2012 bundle, 5 sensors, % volume CH4 / LEL / O2 / H2S / CO unit with alkaline battery pack, 34AL cyl H2S/CO/O2/CH4, 58L cyl 100% vol CH4, demand flow regulator, tubing and padded case ...	1,850.00
72-0290-27-B	GX-2012, 5 sensor, LEL / % volume CH4 / O2 / H2S / CO with alkaline battery pack, Li-Ion battery pack and 115 VAC charger .....	1,355.00
72-0290-27-B-51	CSK,GX-2012,5-sensor,LEL/%volume/Oxy/CO/H2S,w/alkaline & Li-ion battery packs/charger/ AC adapt .....	2,110.00
72-0290-27-B-LB	GX-2012,5-sensor,LEL/%volume/Oxy/CO/H2S,w/alk & Li-ion batt packs/chgr/AC adapt,LB version.....	1,440.00
72-0290-27-C	GX-2012, 5 sensors, % volume CH4 / LEL / O2 / H2S / CO unit with Li-Ion battery pack and 115 VAC charger .....	1,295.00
72-0290-27-C-01	See APPS,GX-2012,5-sensor,LEL/%vol/Oxy/CO/H2S,w/H2S dilution mode,w/Li-ion batt pack/ chgr/AC adptr .....	1,445.00
72-0290-27-C-50	CSK,GX-2012,5-sensor,LEL/%vol/Oxy/CO/H2S,with Li-ion battery pack/charger/AC adapter .....	1,410.00
72-0290-27-C-51	GX-2012 bundle, 5 sensors, % volume CH4 / LEL / O2 / H2S / CO unit with Li-ion battery pack and 115 VAC charger, 34AL cyl H2S/CO/O2/CH4, 58L cyl 100% vol CH4, demand flow regulator, tubing and padded case .....	2,050.00
72-0290-27-C-KM	GX-2012,5-sensor,LEL/%volume/Oxy/CO/H2S,with Li-ion battery pack/charger/AC adapter .....	1,295.00
72-0290-27-D	GX-2012,5-sensor,LEL/%volume/Oxy/CO/H2S,with Li-ion battery pack/charger/12VDC/vehc plug.....	1,295.00
72-0290-27-E	GX-2012,5-sensor,LEL/%vol/Oxy/CO/H2S,w/alkaline & Li-ion battery packs/chgr/DC adpt/veh plg.....	1,355.00
72-0290-27-F	GX-2012, 5 sensor, LEL / % volume CH4 / O2 / H2S / CO with Li-ion battery pack and 115 VAC/ 12 VDC charger .....	1,315.00
72-0290-27-G	GX-2012,5-sensor,LEL/%volume/Oxy/CO/H2S,w/alkaline & Li-ion battery packs/chgr/AC/DC adapts ...	1,375.00
72-0290-27-H	GX-2012,5-sensor,LEL/%volume/Oxy/CO/H2S,with Li-ion battery pack, no charger .....	1,245.00
72-0290-27C51KM	CSK,GX-2012,5-sensor,LEL/%vol/Oxy/CO/H2S,w/Li-ion pack/charger/34 L cal kit, Kinder Morgan settings .....	2,045.00
72-0291-51-A	Gas Tracer, 1 sensor, PPM CH4 with alkaline battery pack .....	1,045.00
72-0291-51-B	Gas Tracer,1-sensor,0-5,000PPM CH4 with alkaline & Li-ion battery packs/charger/AC adapter .....	1,305.00
72-0291-51-C	Gas Tracer,1-sensor, 0-5,000PPM CH4 with Li-ion battery pack/charger/AC adapter .....	1,245.00
72-0291-51-D	Gas Tracer,1-sensor,0-5,000PPM CH4 with Li-ion batt pack/chgr/12VDC adapter/vehicle plug.....	1,245.00
72-0291-51-E	Gas Tracer,1-sensor,0-5,000PPM CH4 w/alkaline & Li-ion batt packs/chgr/DC adptr w/veh plug .....	1,305.00
72-0291-51-F	Gas Tracer,1-sensor,0-5,000 PPM CH4 with Li-ion battery pack/charger/AC and DC adapters .....	1,265.00
72-0291-51-G	Gas Tracer,1-sensor,0-5,000 PPM CH4 with alkaline & Li-ion batt packs/chgr/AC & DC adpts .....	1,325.00
72-0291-51-H	Gas Tracer,1-sensor, 0-5,000 PPM CH4 with Li-Ion battery pack, no charger .....	1,195.00
72-0291-54-A	Gas Tracer, 2 sensor, PPM CH4 / LEL with alkaline battery pack .....	1,095.00
72-0291-54-B	Gas Tracer,2-sensor, PPM CH4/LEL with alkaline & Li-ion battery packs/charger/AC adapter .....	1,355.00
72-0291-54-C	Gas Tracer,2-sensor, PPM CH4/LEL with Li-ion battery pack/charger/AC adapter .....	1,295.00
72-0291-54-D	Gas Tracer,2-sensor,PPM CH4/LEL w/Li-ion battery pack/charger/12VDC adapter w/vehicle plug .....	1,295.00
72-0291-54-E	Gas Tracer,2-sensor,PPM CH4/LEL w/alkaline & Li-ion battery packs/chgr/DC adaptr w/veh plug .....	1,355.00
72-0291-54-F	Gas Tracer,2-sensor, PPM CH4/LEL with Li-ion battery pack/charger/AC and DC adapters .....	1,315.00
72-0291-54-G	Gas Tracer,2-sensor,PPM CH4/LEL w/alkaline & Li-ion battery packs/charger/AC & DC adapters .....	1,375.00
72-0291-54-H	Gas Tracer,2-sensor, PPM CH4/LEL with Li-ion battery pack, no charger .....	1,245.00
72-0291-55-A	Gas Tracer, 2 sensor, PPM CH4 / O2 with alkaline battery pack .....	1,095.00

# Numerical Index

Part#	Description	Suggested Retail
72-0291-55-B	Gas Tracer,2-sensor, PPM CH4/O2 with alkaline & Li-ion battery packs/charger/AC adapter .....	1,355.00
72-0291-55-C	Gas Tracer,2-sensor, PPM CH4/O2 with Li-ion battery pack/charger/AC adapter .....	1,295.00
72-0291-55-D	Gas Tracer,2-sensor, PPM CH4/O2 with Li-ion battery pack/charger/12VDC adapter/vehicle plug .....	1,295.00
72-0291-55-E	Gas Tracer,2-sensor,PPM CH4/O2 w/alkaline & Li-ion battery packs/chgr/DC adapter w/veh plug .....	1,355.00
72-0291-55-F	Gas Tracer,2-sensor, PPM CH4/O2 with Li-ion battery pack/charger/AC and DC adapters .....	1,315.00
72-0291-55-G	Gas Tracer,2-sensor, PPM CH4/O2 with alkaline & Li-ion battery packs/charger/AC/DC adapters .....	1,375.00
72-0291-55-H	Gas Tracer,2-sensor, PPM CH4/O2 with Li-ion battery pack, no charger .....	1,245.00
72-0291-56-A	Gas Tracer, 2 sensor, PPM CH4 / CO with alkaline battery pack .....	1,095.00
72-0291-56-B	Gas Tracer,2-sensor, PPM CH4/CO with alkaline & Li-ion battery packs/charger/AC adapter .....	1,355.00
72-0291-56-C	Gas Tracer,2-sensor, PPM CH4/CO with Li-ion battery pack/charger/AC adapter .....	1,295.00
72-0291-56-D	Gas Tracer,2-sensor, PPM CH4/CO with Li-ion battery pack/charger/12VDC adptr/vehicle plug .....	1,295.00
72-0291-56-E	Gas Tracer,2-sensor,PPM CH4/CO w/alkaline & Li-ion battery packs/chgr/DC adapter w/veh plug .....	1,355.00
72-0291-56-F	Gas Tracer,2-sensor, PPM CH4/CO with Li-ion battery pack/charger/AC and DC adapters .....	1,315.00
72-0291-56-G	Gas Tracer,2-sensor, PPM CH4/CO with alkaline & Li-ion battery packs/charger/AC/DC adapters .....	1,375.00
72-0291-56-H	Gas Tracer,2-sensor, PPM CH4/CO with Li-ion battery pack, no charger .....	1,245.00
72-0291-56H-A	Gas Tracer, 2 sensor, PPM CH4 / CO (with H2S response, no charcoal filter) with alkaline battery pack .....	1,095.00
72-0291-56H-B	Gas Tracer,2-sensor,PPM CH4/CO(H2S) w/alka & Li-ion batt packs/chgr/AC adptr w/o char fltr .....	1,355.00
72-0291-56H-C	Gas Tracer,2-sensor,PPM CH4/CO(H2S) w/ Li-ion battery pack/chgr/AC adapter w/o char filter .....	1,295.00
72-0291-56H-D	Gas Tracer,2-sensor,PPM CH4/CO(H2S) w/Li-ion batt pk/chgr/12VDC adptr/veh plug w/o char ftr .....	1,295.00
72-0291-56H-E	Gas Tracer,2-sens,PPM CH4/CO(H2) w/alka & Li-ion batt packs/chgr/DC adp w/veh plg w/o char .....	1,355.00
72-0291-56H-F	Gas Tracer,2-sensor,PPM CH4/CO(H2S) w/Li-ion batt pack/chgr/AC and DC adapters w/o char flt .....	1,315.00
72-0291-56H-G	Gas Tracer,2-sens,PPM CH4/CO(H2S) w/alka & Li-ion bat packs/chgr/AC/DC adapters w/o char fl .....	1,375.00
72-0291-56H-H	Gas Tracer,2-sensor,PPM CH4/CO(H2S) w/ Li-ion battery pack, no charger w/o char filter .....	1,245.00
72-0291-59-A	Gas Tracer, 3 sensor, PPM CH4 / LEL / O2 with alkaline battery pack .....	1,145.00
72-0291-59-B	Gas Tracer,3-sensor, PPM CH4/LEL/O2 with alkaline & Li-ion battery packs/charger/AC adapter .....	1,405.00
72-0291-59-C	Gas Tracer,3-sensor, PPM CH4/LEL/O2 with Li-ion battery pack/charger/AC adapter .....	1,345.00
72-0291-59-D	Gas Tracer,3-sensor, PPM CH4/LEL/O2 with Li-ion battery pack/charger/12VDC adptr/veh plug .....	1,345.00
72-0291-59-E	Gas Tracer,3-sensor,PPM CH4/LEL/O2 w/alkaline & Li-ion battery packs/chg/DC adpt w/veh plug .....	1,405.00
72-0291-59-F	Gas Tracer,3-sensor, PPM CH4/LEL/O2 with Li-ion battery pack/charger/AC and DC adapters .....	1,365.00
72-0291-59-G	Gas Tracer,3-sensor,PPM CH4/LEL/O2 w/alkaline & Li-ion battery packs/chgr/AC & DC adapters .....	1,425.00
72-0291-59-H	Gas Tracer,3-sensor, PPM CH4/LEL/O2 with Li-ion battery pack, no charger .....	1,295.00
72-0291-60-A	Gas Tracer, 3 sensor, PPM CH4 / LEL / CO with alkaline battery pack .....	1,145.00
72-0291-60-B	Gas Tracer,3-sensor, PPM CH4/LEL/CO with alkaline & Li-ion battery packs/charger/AC adapter .....	1,405.00
72-0291-60-C	Gas Tracer,3-sensor, PPM CH4/LEL/CO with Li-ion battery pack/charger/AC adapter .....	1,345.00
72-0291-60-D	Gas Tracer,3-sensor, PPM CH4/LEL/CO with Li-ion battery pack/charger/12VDC adpt/vehic plug .....	1,345.00
72-0291-60-E	Gas Tracer,3-sensor,PPM CH4/LEL/CO w/alkaline & Li-ion battery packs/chg/DC adpt w/veh plug .....	1,405.00
72-0291-60-F	Gas Tracer,3-sensor, PPM CH4/LEL/CO with Li-ion battery pack/charger/AC and DC adapters .....	1,365.00
72-0291-60-G	Gas Tracer,3-sensor, PPM CH4/LEL/CO with alkaline & Li-ion batt packs/chgr/AC & DC adapters .....	1,425.00
72-0291-60-H	Gas Tracer,3-sensor, PPM CH4/LEL/CO with Li-ion battery pack, no charger .....	1,295.00
72-0291-60H-A	Gas Tracer, 3 sensor, PPM CH4 / LEL / CO (with H2S response, no charcoal filter), with alkaline battery pack .....	1,145.00
72-0291-60H-B	Gas Tracer,3-sensor, PPM CH4/LEL/CO(H2S) w/alka & Li-ion bat packs/chgr/AC adpt w/o char fl .....	1,405.00
72-0291-60H-C	Gas Tracer,3-sensor,PPM CH4/LEL/CO(H2S) w/Li-ion batt pack/chgr/AC adapter w/o char filter .....	1,345.00
72-0291-60H-D	Gas Tracer,3-sens,PPM CH4/LEL/CO(H2S) w/Li-ion bat pk/chgr/12VDC adpt/veh plug w/o char flt .....	1,345.00
72-0291-60H-E	GasTracer,3-sens,PPM CH4/LEL/CO(H2S) w/alka & Li-ion bat pks/chg/DC adpt w/veh plg w/o char .....	1,405.00
72-0291-60H-F	Gas Tracer,3-sensor,PPM CH4/LEL/CO(H2S) w/Li-ion batt pk/chgr/AC & DC adapters w/o char fil .....	1,365.00
72-0291-60H-G	Gas Tracer,3-sens,PPM CH4/LEL/CO(H2S) w/alka & Li-ion bat pks/chgr/AC & DC adptrs w/o char .....	1,425.00
72-0291-60H-H	Gas Tracer,3-sensor,PPM CH4/LEL/CO(H2S) w/Li-ion batt pack, no charger w/o char filter .....	1,295.00
72-0291-64-A	Gas Tracer, 4 sensor, PPM CH4 / LEL / O2 / CO with alkaline battery pack .....	1,195.00
72-0291-64-B	Gas Tracer,4-sensor, PPM CH4/LEL/O2/CO with alkaline & Li-ion battery packs/chgr/AC adaptr .....	1,455.00
72-0291-64-C	Gas Tracer,4-sensor, PPM CH4/LEL/O2/CO with Li-ion battery pack/charger/AC adapter .....	1,395.00
72-0291-64-D	Gas Tracer,4-sensor, PPM CH4/LEL/O2/CO with Li-ion batt pack/charger/12VDC adapter/veh plug .....	1,395.00
72-0291-64-E	Gas Tracer,4-sensor, PPM CH4/LEL/O2/CO with alkaline & Li-ion battery packs/chg/DC adp w/ve .....	1,455.00
72-0291-64-F	Gas Tracer,4-sensor, PPM CH4/LEL/O2/CO with Li-ion battery pack/charger/AC and DC adapters .....	1,415.00
72-0291-64-G	Gas Tracer,4-sensor, PPM CH4/LEL/O2/CO with alkaline & Li-ion batt packs/chgr/AC & DC adpts .....	1,475.00
72-0291-64-H	Gas Tracer,4-sensor, PPM CH4/LEL/O2/CO with Li-ion battery pack, no charger .....	1,345.00
72-0291-64H-A	Gas Tracer, 4 sensor, PPM CH4 / LEL / O2 / CO (with H2S response, no charcoal filter), with alkaline battery pack .....	1,195.00
72-0291-64H-B	Gas Tracer,4-sens,PPM CH4/LEL/O2/CO(H2S) w/alka & Li-ion bat packs/chgr/AC adaptr w/o char .....	1,455.00
72-0291-64H-C	GasTracer,4-sensor,PPM CH4/LEL/O2/CO(H2S) w/Li-ion batt pack/chgr/AC adpt w/o char filter .....	1,395.00
72-0291-64H-D	GasTracer,4-sens,PPM CH4/LEL/O2/CO(H2S) w/Li-ion bat pk/chg/12VDC adt/veh plug w/o char fil .....	1,395.00

# Numerical Index

Part#	Description	Suggested Retail
72-0291-64H-E	GasTracer,4-sens,PPM CH4/LEL/O2/CO(H2S) w/alka& Li-ion bat pks/chg/DC adp w/veh w/o char fl ...	1,455.00
72-0291-64H-F	GasTracer,4-sens,PPM CH4/LEL/O2/CO(H2S) w/Li-ion bat pk/chgr/AC & DC adptrs w/o char filtr .....	1,415.00
72-0291-64H-G	GasTracer,4-sens,PPM CH4/LEL/O2/CO(H2S) w/alka & Li-ion bat pks/chg/AC & DC adpts w/o char .....	1,475.00
72-0291-64H-H	GasTracer,4-sensor,PPM CH4/LEL/O2/CO(H2S) w/Li-ion batt pack, no charger w/o char filter .....	1,345.00
72-0291-65-A	Gas Tracer, 4 sensor, PPM CH4 / LEL / % volume CH4 / O2 with alkaline battery pack .....	1,245.00
72-0291-65-B	Gas Tracer,4-sensor, PPM CH4/LEL/% volume CH4/O2 with alkaline & Li-ion batt packs/chgr/AC.....	1,505.00
72-0291-65-C	Gas Tracer,4-sensor, PPM CH4/LEL/% volume CH4/O2 with Li-ion batt pack/charger/AC adapter .....	1,445.00
72-0291-65-D	Gas Tracer,4-sensor, PPM CH4/LEL/% volume CH4/O2 with Li-ion batt pack/chgr/12VDC adt/veh p ...	1,445.00
72-0291-65-E	Gas Tracer,4-sensor, PPM CH4/LEL/% volume CH4/O2 with alkaline & Li-ion batt packs/chgr/DC .....	1,505.00
72-0291-65-F	Gas Tracer,4-sensor, PPM CH4/LEL/% volume CH4/O2 with Li-ion batt pack/charger/AC/DC adptrs ...	1,465.00
72-0291-65-G	Gas Tracer,4-sensor, PPM CH4/LEL/% volume CH4/O2 w/ alkaline & Li-ion batt packs/chg/AC/DC .....	1,525.00
72-0291-65-H	Gas Tracer,4-sensor, PPM CH4/LEL/% volume CH4/O2 with Li-ion batt pack, no charger .....	1,395.00
72-0291-69-A	Gas Tracer, 5 sensor, PPM CH4 / LEL / % volume CH4 / O2 / CO with alkaline battery pack .....	1,295.00
72-0291-69-B	Gas Tracer,5-sensor, PPM CH4/LEL/% vol CH4/O2/CO with alkaline & Li-ion bat packs/chgr/AC .....	1,555.00
72-0291-69-C	Gas Tracer,5-sensor, PPM CH4/LEL/% vol CH4/O2/CO with Li-ion batt pack/charger/AC adapter .....	1,495.00
72-0291-69-D	Gas Tracer,5-sensor, PPM CH4/LEL/% vol CH4/O2/CO with Li-ion batt pack/chgr/12VDC ad/veh pl .....	1,495.00
72-0291-69-E	Gas Tracer,5-sensor, PPM CH4/LEL/% vol CH4/O2/CO with alkaline & Li-ion bat packs/chgr/DC .....	1,555.00
72-0291-69-F	Gas Tracer,5-sensor, PPM CH4/LEL/% vol CH4/O2/CO with Li-ion batt pack/charger/AC/DC adptrs .....	1,515.00
72-0291-69-G	Gas Tracer,5-sensor, PPM CH4/LEL/% vol CH4/O2/CO w/alkaline & Li-ion bat packs/chgr/AC & DC .....	1,575.00
72-0291-69-H	Gas Tracer,5-sensor, PPM CH4/LEL/% vol CH4/O2/CO with Li-ion batt pack, no charger .....	1,445.00
72-0291-69H-A	Gas Tracer, 5 sensor, PPM CH4 / LEL / % volume CH4 / O2 / CO (with H2S response, no charcoal filter), with alkaline battery pack .....	1,295.00
72-0291-69H-B	Gas Tracer,5-sens,PPM CH4/LEL/% vol CH4/O2/CO(H2S) w/alka & Li-ion bat packs/chg/AC w/o chr ...	1,555.00
72-0291-69H-C	GasTracer,5-sensor,PPM CH4/LEL/% vol CH4/O2/CO(H2S) w/Li-ion bat pk/chg/AC adpt w/o chr flt .....	1,495.00
72-0291-69H-D	GasTracer,5-sens,PPM CH4/LEL/% vol CH4/O2/CO(H2S) w/Li-ion bat pk/chg/12VDC/veh pl w/o char ...	1,495.00
72-0291-69H-E	GasTracer,5-sens,PPM CH4/LEL/%vol CH4/O2/CO(H2S) w/alka & Li-ion bat pks/chg/DC w/o char fl ...	1,555.00
72-0291-69H-F	GasTracer,5-sens,PPM CH4/LEL/%vol CH4/O2/CO(H2S) w/Li-ion bat pk/chg/AC/DC adptrs w/o char ...	1,515.00
72-0291-69H-G	GasTracer,5-sens,PPM CH4/LEL/%vol CH4/O2/CO(H2S) w/alka & Li-ion bat pks/chg/AC&DC w/o chr ...	1,575.00
72-0291-69H-H	GasTracer,5-sensor,PPM CH4/LEL/% vol CH4/O2/CO(H2S) w/Li-ion bat pk, no chargr w/o chr flt .....	1,445.00
72-0292-01-A	GX-2012,1-sensor,LEL, with alkaline battery pack,CSA type .....	845.00
72-0292-01-B	GX-2012,1-sensor,LEL, with alkaline & Li-ion battery packs/charger/AC adapter,CSA type .....	1,105.00
72-0292-01-C	GX-2012,1-sensor,LEL, with Li-ion battery pack/charger/AC adapter,CSA type .....	1,045.00
72-0292-01-D	GX-2012,1-sensor,LEL, with lithium batt pack/charger/12VDC adapter w/vehicle Plug,CSA type .....	1,045.00
72-0292-01-E	GX-2012,1-sensor,LEL,w/alkaline & Li-ion bat packs/chgr/DC adapter w/vehicle plug,CSA type .....	1,105.00
72-0292-01-F	GX-2012,1-sensor,LEL, with Li-ion battery pack/charger/AC and DC adapters,CSA type .....	1,065.00
72-0292-01-G	GX-2012,1-sensor,LEL, with alkaline & Li-ion batt packs/charger/AC & DC adapters,CSA type .....	1,125.00
72-0292-01-H	GX-2012,1-sensor,LEL, with Li-ion battery pack, no charger,CSA type .....	995.00
72-0292-02-A	GX-2012,1-sensor, O2, with alkaline battery pack,CSA type.....	845.00
72-0292-02-B	GX-2012,1-sensor, O2, with alkaline & Li-ion battery packs/charger/AC adapter,CSA type .....	1,105.00
72-0292-02-C	GX-2012,1-sensor, O2, with Li-ion battery pack/charger/AC adapter,CSA type .....	1,045.00
72-0292-02-D	GX-2012,1-sensor, O2, with Li-ion battery pack/charger/12VDC adapter w/vehicle plug,CSA type .....	1,045.00
72-0292-02-E	GX-2012,1-sensor,O2,w/alkaline & Li-ion battery packs/charger/DC adapter w/vehicle plug,CSA type ..	1,105.00
72-0292-02-F	GX-2012,1-sensor,O2,with Li-ion battery pack/charger/AC and DC adapters,CSA type .....	1,065.00
72-0292-02-G	GX-2012,1-sensor,O2,with alkaline & Li-ion battery packs/charger/AC & DC adapters,CSA type .....	1,125.00
72-0292-02-H	GX-2012,1-sensor, O2, with Li-ion battery pack, no charger,CSA type.....	995.00
72-0292-03-A	GX-2012,1-sensor,H2S,with alkaline battery pack,CSA type .....	845.00
72-0292-03-B	GX-2012,1-sensor,H2S,with alkaline & Li-ion battery packs/charger/AC adapter,CSA type .....	1,105.00
72-0292-03-C	GX-2012,1-sensor,H2S,with Li-ion battery pack/charger/AC adapter,CSA type .....	1,045.00
72-0292-03-D	GX-2012,1-sensor,H2S,with Li-ion battery pack/charger/12VDC adapter w/vehicle plug,CSA type .....	1,045.00
72-0292-03-E	GX-2012,1-sensor,H2S,w/alkaline & Li-ion battery packs/charger/DC adapter w/vehicle plug,CSA type ..	1,105.00
72-0292-03-F	GX-2012,1-sensor,H2S,with Li-ion battery pack/charger/AC and DC adapters,CSA type .....	1,065.00
72-0292-03-G	GX-2012,1-sensor,H2S,with alkaline & Li-ion battery packs/charger/AC & DC adapters,CSA type.....	1,125.00
72-0292-03-H	GX-2012,1-sensor,H2S,with Li-ion battery pack, no charger,CSA type .....	995.00
72-0292-04-A	GX-2012,1-sensor,CO,with alkaline battery pack,CSA type .....	845.00
72-0292-04-B	GX-2012,1-sensor,CO,with alkaline & Li-ion battery packs/charger/AC adapter,CSA type .....	1,105.00
72-0292-04-C	GX-2012,1-sensor,CO,with Li-ion battery pack/charger/AC adapter,CSA type .....	1,045.00
72-0292-04-D	GX-2012,1-sensor,CO,with Li-ion battery pack/charger/12VDC adapter w/vehicle plug,CSA type .....	1,045.00
72-0292-04-E	GX-2012,1-sensor,CO,w/alkaline & Li-ion battery packs/charger/DC adapter w/vehicle plug,CSA type ..	1,105.00
72-0292-04-F	GX-2012,1-sensor,CO,w/Li-ion battery pack/charger/AC and DC adapters,CSA type .....	1,065.00
72-0292-04-G	GX-2012,1-sensor,CO,with alkaline & Li-ion battery packs/charger/AC & DC adapters,CSA type .....	1,125.00
72-0292-04-H	GX-2012,1-sensor,CO,with Li-ion battery pack, no charger,CSA type .....	995.00

# Numerical Index

Part#	Description	Suggested Retail
72-0292-08-A	GX-2012,2-sensor,LEL/O2,with alkaline battery pack,CSA type .....	845.00
72-0292-08-B	GX-2012,2-sensor,LEL/O2,with alkaline & Li-ion battery packs/charger/AC adapter,CSA type .....	1,155.00
72-0292-08-C	GX-2012, 2-sensor, LEL/O2, with Li-ion battery pack/charger/AC adapter,CSA type .....	1,095.00
72-0292-08-D	GX-2012, 2-sensor,LEL/O2,w/ alkaline & Li-ion battery pack/charger/12VDC adapter/vehicle plug,CSA type ...	1,095.00
72-0292-08-E	GX-2012, 2-sensor,LEL/O2,w/ alkaline & Li-ion battery packs/charger/DC adptr w/vehicle plug,CSA type	1,155.00
72-0292-08-F	GX-2012, 2-sensor, LEL/O2, with Li-ion battery pack/charger/AC and DC adapters,CSA type .....	1,115.00
72-0292-08-G	GX-2012, 2-sensor, LEL/O2, with alkaline & Li-ion battery packs/charger/AC & DC adapters,CSA type ...	1,175.00
72-0292-08-H	GX-2012, 2-sensor, LEL/O2, with Li-ion battery pack, no charger,CSA type.....	1,045.00
72-0292-09-A	GX-2012, 2-sensor, LEL/H2S, with alkaline battery pack,CSA type .....	845.00
72-0292-09-B	GX-2012, 2-sensor, LEL/H2S, with alkaline & Li-ion battery packs/charger/AC adapter,CSA type .....	1,155.00
72-0292-09-C	GX-2012, 2-sensor, LEL/H2S, with Li-ion battery pack/charger/AC adapter,CSA type .....	1,095.00
72-0292-09-D	GX-2012, 2-sensor, LEL/H2S, with Li-ion battery pack/charger/12VDC adapter/vehicle plug,CSA type	1,095.00
72-0292-09-E	GX-2012, 2-sensor,LEL/H2S,w/alkaline & Li-ion battery packs/chgr/DC adapter w/vehicle plug,CSA type	1,155.00
72-0292-09-F	GX-2012, 2-sensor, LEL/H2S, with Li-ion battery pack/charger/AC and DC adapters,CSA type .....	1,115.00
72-0292-09-G	GX-2012, 2-sensor, LEL/H2S, with alkaline & Li-ion battery packs/charger/AC & DC adapters,CSA type	1,175.00
72-0292-09-H	GX-2012, 2-sensor, LEL/H2S, with Li-ion battery pack, no charger,CSA type .....	1,045.00
72-0292-10-A	GX-2012, 2-sensor, LEL/CO, with alkaline battery pack,CSA type.....	845.00
72-0292-10-B	GX-2012, 2-sensor, LEL/CO, with alkaline & Li-ion battery packs/charger/AC adapter,CSA type .....	1,155.00
72-0292-10-C	GX-2012, 2-sensor, LEL/CO, with Li-ion battery pack/charger/AC adapter,CSA type .....	1,095.00
72-0292-10-D	GX-2012, 2-sensor, LEL/CO, with Li-ion battery pack/charger/12VDC adapter/vehicle plug,CSA type ...	1,095.00
72-0292-10-E	GX-2012, 2-sensor,LEL/CO,w/alkaline & Li-ion battery packs/charger/DC adapter w/vehicl plug,CSA type	1,155.00
72-0292-10-F	GX-2012, 2-sensor, LEL/CO, with Li-ion battery pack/charger/AC and DC adapters,CSA type .....	1,115.00
72-0292-10-G	GX-2012, 2-sensor, LEL/CO, with alkaline & Li-ion battery packs/charger/AC & DC adapters,CSA type ...	1,175.00
72-0292-10-H	GX-2012, 2-sensor, LEL/CO, with Li-ion battery pack, no charger,CSA type.....	1,045.00
72-0292-12-B	GX-2012, 2-sensor, O2/CO, with alkaline & Li-ion battery packs/charger/AC adapter,CSA type.....	1,155.00
72-0292-12-C	GX-2012, 2-sensor, O2/CO, with Li-ion battery pack/charger/AC adapter,CSA type .....	1,095.00
72-0292-12-D	GX-2012, 2-sensor, O2/CO, with Li-ion battery pack/charger/12VDC adapter/vehicle plug,CSA type ...	1,095.00
72-0292-12-E	GX-2012, 2-sensor, O2/CO, with alkaline & Li-ion battery packs/chgr/DC adapter w/veh plug,CSA type	1,155.00
72-0292-12-F	GX-2012, 2-sensor, O2/CO, with Li-ion battery pack/charger/AC and DC adapters,CSA type .....	1,115.00
72-0292-12-G	GX-2012, 2-sensor, O2/CO, w/alkaline & Li-ion batt packs/charger/AC & DC adapters,CSA type .....	1,175.00
72-0292-12-H	GX-2012, 2-sensor, O2/CO, with Li-ion battery pack, no charger,CSA type .....	1,095.00
72-0292-14-A	GX-2012, 2-sensor, O2/H2S, with alkaline battery pack,CSA type .....	895.00
72-0292-14-B	GX-2012, 2-sensor, O2/H2S, with alkaline & Li-ion battery packs/charger/AC adapter,CSA type .....	1,155.00
72-0292-14-C	GX-2012, 2-sensor, O2/H2S, with Li-ion battery pack/charger/AC adapter,CSA type .....	1,095.00
72-0292-14-D	GX-2012, 2-sensor, O2/H2S, with Li-ion battery pack/charger/12VDC adapter/vehicle plug,CSA type ...	1,095.00
72-0292-14-E	GX-2012, 2-sens, O2/H2S, w/alkaline & Li-ion batt packs/chgr/DC adapter w/veh plug,CSA type .....	1,155.00
72-0292-14-F	GX-2012, 2-sensor, O2/H2S, with Li-ion battery pack/charger/AC and DC adapters,CSA type .....	1,115.00
72-0292-14-G	GX-2012, 2-sensor, O2/H2S, w/alkaline & Li-ion batt packs/charger/AC & DC adapters,CSA type .....	1,175.00
72-0292-14-H	GX-2012, 2-sensor, O2/H2S, with Li-ion battery pack, no charger,CSA type .....	1,095.00
72-0292-16-A	GX-2012, 3-sensor, LEL/O2/H2S, with alkaline battery pack,CSA type.....	945.00
72-0292-16-B	GX-2012, 3-sensor, LEL/O2/H2S, w/alkaline & Li-ion batt packs/charger/AC adapter,CSA type.....	1,205.00
72-0292-16-C	GX-2012, 3-sensor, LEL/O2/H2S, with Li-ion battery pack/charger/AC adapter,CSA type .....	1,145.00
72-0292-16-D	GX-2012, 3-sensor, LEL/O2/H2S, with Li-ion battery pack/charger/12VDC adapter/vehicle plug,CSA type	1,145.00
72-0292-16-E	GX-2012, 3-sensor,LEL/O2/H2S,w/alka & Li-ion batt packs/chargr/DC adptr w/veh plug,CSA type ...	1,205.00
72-0292-16-F	GX-2012, 3-sensor, LEL/O2/H2S, with Li-ion battery pack/charger/AC and DC adapters,CSA type .....	1,165.00
72-0292-16-G	GX-2012, 3-sensor, LEL/O2/H2S, w/alkaline & Li-ion batt packs/chgr/AC & DC adaptrs,CSA type .....	1,225.00
72-0292-16-H	GX-2012, 3-sensor, LEL/O2/H2S, with Li-ion battery pack, no charger,CSA type.....	1,095.00
72-0292-17-A	GX-2012, 3-sensor, LEL/O2/CO, with alkaline battery pack,CSA type .....	945.00
72-0292-17-B	GX-2012, 3-sensor, LEL/O2/CO, with alkaline & Li-ion batt packs/charger/AC adapter,CSA type .....	1,205.00
72-0292-17-C	GX-2012, 3-sensor, LEL/O2/CO, with Li-ion battery pack/charger/AC adapter,CSA type .....	1,145.00
72-0292-17-D	GX-2012, 3-sensor, LEL/O2/CO, with Li-ion battery pack/charger/12VDC adapter/vehicle plug,CSA type	1,145.00
72-0292-17-E	GX-2012, 3-sens, LEL/O2/CO, w/alkaline & Li-ion batt packs/chgr/DC adptrw/veh plug,CSA type .....	1,205.00
72-0292-17-F	GX-2012, 3-sensor, LEL/O2/CO, with Li-ion battery pack/charger/AC and DC adapters,CSA type .....	1,165.00
72-0292-17-G	GX-2012, 3-sensor, LEL/O2/CO, w/alkaline & Li-ion batt packs/chgr/AC & DC adptrs,CSA type.....	1,225.00
72-0292-17-H	GX-2012, 3-sensor, LEL/O2/CO, with Li-ion battery pack,no charger,CSA type .....	1,095.00
72-0292-18-A	GX-2012, 3-sensor, LEL/% volume CH4/O2, with alkaline battery pack,CSA type .....	995.00
72-0292-18-B	GX-2012, 3-sensor,LEL/% volume CH4/O2,w/alkaline & Li-ion battery packs/charger/AC adapter, CSA type .....	1,255.00
72-0292-18-C	GX-2012, 3-sensor, LEL/% volume CH4/O2, with Li-ion battery pack/charger/AC adapter,CSA type ...	1,195.00
72-0292-18-D	GX-2012, 3-sensor,LEL/% volume CH4/O2,w/Li-ion battery pack/charger/12VDC adpt/vehicle plug, CSA type .....	1,195.00

# Numerical Index

Part#	Description	Suggested Retail
72-0292-18-E	GX-2012, 3-sensor,LEL/% vol CH4/O2,w/alka & Li-ion batt packs/chgr/DC adapt/veh plug,CSA type ...	1,255.00
72-0292-18-F	GX-2012, 3-sensor, LEL/% volume CH4/O2, with Li-ion battery pack/charger/AC and DC adapters, CSA type .....	1,215.00
72-0292-18-G	GX-2012, 3-sensor,LEL/% vol CH4/O2,w/alka & Li-ion batt packs/chgr/AC & DC adapters,CSA type .....	1,275.00
72-0292-18-H	GX-2012, 3-sensor, LEL/% volume CH4/O2, with Li-ion battery pack, no charger,CSA type .....	1,145.00
72-0292-22-A	GX-2012,4-sensor,LEL/Oxy/CO/H2S,w/alkaline battery pack,CSA type .....	995.00
72-0292-22-A-50	GX-2012 CSA bundle, 4 sensors, LEL / O2 / H2S / CO unit with alkaline battery pack, and padded case	1,115.00
72-0292-22-A-51	GX-2012 CSA bundle, 4 sensors, LEL / O2 / H2S / CO unitwith alkaline battery pack, 34AL cyl H2S/CO/O2/CH4, demand flow regulator, tubing and padded case .....	1,520.00
72-0292-22-B	GX-2012,4-sensor,LEL/Oxy/CO/H2S,w/alkaline & Li-ion batt packs/charger/AC adapter,CSA type .....	1,255.00
72-0292-22-B-51	CSK,GX-2012,4-sensor,LEL/Oxy/CO/H2S,w/alk & Li-Ion batt packs/chgr/AC adptr/34 L cal kit,CSA type	1,845.00
72-0292-22-C	GX-2012,4-sensor,LEL/Oxy/CO/H2S,with Li-ion battery pack/charger/AC adapter,CSA type .....	1,195.00
72-0292-22-C-50	CSK,GX-2012,4-sensor,LEL/Oxy/CO/H2S,with Li-ion battery pack/charger/AC adapter,CSA type .....	1,315.00
72-0292-22-C-51	GX-2012,4-sensor,LEL/Oxy/CO/H2S,with Li-ion batt pack/charger/AC adapter,34 liter cal kit,CSA type	1,720.00
72-0292-22-D	GX-2012,4-sensor,LEL/Oxy/CO/H2S,with Li-ion battery pack/charger/12VDC adapter/vehicle plug, CSA type .....	1,195.00
72-0292-22-E	GX-2012,4-sensor,LEL/Oxy/CO/H2S,w/alka & Li-ion batt packs/chgr/DC adptr w/veh plug,CSA type ...	1,255.00
72-0292-22-F	GX-2012,4-sensor,LEL/Oxy/CO/H2S,with Li-ion battery pack/charger/AC and DC adapters,CSA type ...	1,215.00
72-0292-22-F-50	CSK,GX-2012,4-sensor,LEL/Oxy/CO/H2S,with Li-ion battery pack/charger/AC and DC adapters, CSA type .....	1,335.00
72-0292-22-G	GX-2012,4-sensor,LEL/Oxy/CO/H2S,w/alka & Li-ion batt packs/charger/AC & DC adapters,CSA type ...	1,275.00
72-0292-22-H	GX-2012,4-sensor,LEL/Oxy/CO/H2S,with Li-ion battery pack, no charger,CSA type .....	1,145.00
72-0292-23-A	GX-2012, 4-sensor, LEL/% volume CH4/O2/CO, with alkaline battery pack,CSA type .....	1,045.00
72-0292-23-B	GX-2012, 4-sensor,LEL/% volume CH4/O2/CO,w/alkaline & Li-ion battery packs/chgr/AC adapter, CSA type .....	1,305.00
72-0292-23-C	GX-2012, 4-sensor, LEL/% volume CH4/O2/CO, with Li-ion battery pack/charger/AC adapter, CSA type .....	1,245.00
72-0292-23-D	GX-2012, 4-sensor,LEL/% volume CH4/O2/CO,w/Li-ion battery pack/charger/12VDC/vehicle plug, CSA type .....	1,245.00
72-0292-23-E	GX-2012, 4-sensor,LEL/% volume CH4/O2/CO,w/alkaline & Li-ion battery packs/chgr/DC/veh plug, CSA type .....	1,305.00
72-0292-23-F	GX-2012, 4-sensor, LEL/% volume CH4/O2/CO, with Li-ion battery pack/charger/AC & DC adapter, CSA type .....	1,265.00
72-0292-23-G	GX-2012, 4-sensor,LEL/% volume CH4/O2/CO,w/alkaline & Li-ion batt packs/chgr/AC/DC adapters, CSA type .....	1,325.00
72-0292-23-H	GX-2012, 4-sensor, LEL/% volume CH4/O2/CO, with Li-ion battery pack, no charger,CSA type .....	1,195.00
72-0292-24-A	GX-2012, 4-sensor, LEL/% volume CH4/O2/H2S, with alkaline battery pack,CSA type .....	1,045.00
72-0292-24-B	GX-2012, 4-sensor,LEL/% volume CH4/O2/H2S,w/alkaline & Li-ion battery packs/chgr/AC adapter, CSA type .....	1,305.00
72-0292-24-C	GX-2012, 4-sensor, LEL/% volume CH4/O2/H2S, with Li-ion battery pack/charger/AC adapter, CSA type .....	1,245.00
72-0292-24-D	GX-2012, 4-sensor,LEL/% volume CH4/O2/H2S,w/Li-ion battery pack/charger/12VDC/vehicle plug, CSA type .....	1,245.00
72-0292-24-E	GX-2012, 4-sensor,LEL/% volume CH4/O2/H2S,w/alkaline & Li-ion battery packs/chgr/DC adapter, CSA type .....	1,305.00
72-0292-24-F	GX-2012, 4-sensor, LEL/% volume CH4/O2/H2S, with Li-ion battery pack/charger/AC & DC adptrs, CSA type .....	1,265.00
72-0292-24-G	GX-2012, 4-sensor,LEL/% volume CH4/O2/H2S,w/alkaline & Li-ion batt packs/chgr/AC & DC adapt, CSA type .....	1,325.00
72-0292-24-H	GX-2012, 4-sensor, LEL/% volume CH4/O2/H2S, with Li-ion battery pack, no charger,CSA type .....	1,195.00
72-0292-27-A	GX-2012,5-sensor,LEL/%volume/Oxy/CO/H2S,w/alkaline battery pack,CSA type .....	1,095.00
72-0292-27-A-51	CSK, GX-2012, 5-sensor,LEL/%volume/Oxy/CO/H2S,w/alkaline battery pack/34 liter cal kit,CSA type ...	1,855.00
72-0292-27-B	GX-2012,5-sensor,LEL/%volume/Oxy/CO/H2S,w/alkaline & Li-ion battery packs/charger/AC adapt, CSA type .....	1,355.00
72-0292-27-C	GX-2012,5-sensor,LEL/%volume/Oxy/CO/H2S,with Li-ion battery pack/charger/AC adapter,CSA type	1,295.00
72-0292-27-C-50	CSK,GX-2012,5-sensor,LEL/%volume/Oxy/CO/H2S,with Li-ion battery pack/charger/AC adapter, CSA type .....	1,415.00
72-0292-27-C-51	CSK,GX-2012,5-sensor,LEL/%volume/Oxy/CO/H2S/Vol,w/Li-ion batt pack/charger/34 liter cal kit, CSA type .....	2,055.00
72-0292-27-D	GX-2012,5-sensor,LEL/%volume/Oxy/CO/H2S,with Li-ion battery pack/charger/12VDC/vehc plug, CSA type .....	1,295.00

# Numerical Index

Part#	Description	Suggested Retail
72-0292-27-E	GX-2012,5-sensor,LEL/%vol/Oxy/CO/H2S,w/alkaline & Li-ion battery packs/chgr/DC adpt/veh plg, CSA type .....	1,355.00
72-0292-27-F	GX-2012,5-sensor,LEL/%volume/Oxy/CO/H2S,with Li-ion battery pack/charger/AC & DC adapters, CSA type .....	1,315.00
72-0292-27-G	GX-2012,5-sensor,LEL/%volume/Oxy/CO/H2S,w/alkaline & Li-ion battery packs/chgr/AC/DC adppts, CSA type .....	1,375.00
72-0292-27-H	GX-2012,5-sensor,LEL/%volume/Oxy/CO/H2S,with Li-ion battery pack, no charger,CSA type .....	1,245.00
72-0293-51-A	Gas Tracer,1-sensor,0-5,000 PPM CH4 with alkaline battery pack,CSA type .....	1,045.00
72-0293-51-B	Gas Tracer,1-sensor,0-5000 ppm CH4 w/alkaline & Li-ion batt packs/chgr/AC adapter,CSA type .....	1,305.00
72-0293-51-C	Gas Tracer,1-sensor, 0-5,000 ppm CH4 with Li-ion battery pack/charger/AC adapter,CSA type.....	1,245.00
72-0293-51-D	Gas Tracer,1-sensor,0-5K ppm CH4,Li-ion batt pack/chgr/12VDC adptr w/vehicle plug,CSA type.....	1,245.00
72-0293-51-E	Gas Tracer,1-sensor,0-5kPPM CH4 w/alka & Li-ion batt packs/chgr/DC adptr w/veh plug,CSA type .....	1,305.00
72-0293-51-F	Gas Tracer,1-sensor,0-5,000 PPM CH4 with Li-ion battery pack/chgr/AC&DC adapters,CSA type .....	1,265.00
72-0293-51-G	Gas Tracer,1-sensor,0-5,000PPM CH4 w/alka & Li-ion batt packs/chgr/AC & DC adpts,CSA type .....	1,325.00
72-0293-51-H	Gas Tracer,1-sensor, 0-5,000 PPM CH4 with Li-ion battery pack, no charger,CSA type .....	1,195.00
72-0293-54-A	Gas Tracer,2-sensor, PPM CH4/LEL with alkaline battery pack,CSA type .....	1,095.00
72-0293-54-B	Gas Tracer,2-sensor, PPM CH4/LEL with alkaline & Li-ion battery packs/chgr/AC adptr,CSA type .....	1,355.00
72-0293-54-C	Gas Tracer,2-sensor, PPM CH4/LEL with Li-ion battery pack/charger/AC adapter,CSA type .....	1,295.00
72-0293-54-D	Gas Tracer,2-sensor,PPM CH4/LEL w/Li-ion battery pack/chgr/12VDC adapter w/veh plug,CSA type ...	1,295.00
72-0293-54-E	Gas Tracer,2-sensor,PPM CH4/LEL w/alkaline & Li-ion batt packs/chgr/DC adptr w/veh plug,CSA type	1,355.00
72-0293-54-F	Gas Tracer,2-sensor, PPM CH4/LEL with Li-ion batt pack/charger/AC and DC adapters,CSA type .....	1,315.00
72-0293-54-G	Gas Tracer,2-sensor,PPM CH4/LEL w/alkaline & Li-ion batt packs/chgr/AC & DC adapters,CSA type .....	1,375.00
72-0293-54-H	Gas Tracer,2-sensor, PPM CH4/LEL with Li-ion battery pack, no charger,CSA type .....	1,245.00
72-0293-55-A	Gas Tracer,2-sensor, PPM CH4/O2 with alkaline battery pack,CSA type .....	1,095.00
72-0293-55-B	Gas Tracer,2-sensor, PPM CH4/O2 with alkaline & Li-ion batt packs/chgr/AC adapter,CSA type .....	1,355.00
72-0293-55-C	Gas Tracer,2-sensor, PPM CH4/O2 with Li-ion battery pack/charger/AC adapter,CSA type .....	1,295.00
72-0293-55-D	Gas Tracer,2-sensor, PPM CH4/O2 with Li-ion battery pack/chgr/12VDC adptr/veh plug,CSA type .....	1,295.00
72-0293-55-E	Gas Tracer,2-sensor,PPM CH4/O2 w/alkaline & Li-ion batt packs/chgr/DC adptr w/veh plug,CSA type	1,355.00
72-0293-55-F	Gas Tracer,2-sensor, PPM CH4/O2 with Li-ion battery pack/charger/AC and DC adapters,CSA type .....	1,315.00
72-0293-55-G	Gas Tracer,2-sensor, PPM CH4/O2 w/alkaline & Li-ion batt packs/chgr/AC/DC adapters,CSA type .....	1,375.00
72-0293-55-H	Gas Tracer,2-sensor, PPM CH4/O2 with Li-ion battery pack, no charger,CSA type .....	1,245.00
72-0293-56-A	Gas Tracer,2-sensor, PPM CH4/CO with alkaline battery pack,CSA type .....	1,095.00
72-0293-56-B	Gas Tracer,2-sensor, PPM CH4/CO with alkaline & Li-ion batt packs/charger/AC adapter,CSA type .....	1,355.00
72-0293-56-C	Gas Tracer,2-sensor, PPM CH4/CO with Li-ion battery pack/charger/AC adapter,CSA type .....	1,295.00
72-0293-56-D	Gas Tracer,2-sensor, PPM CH4/CO with Li-ion battery pack/chgr/12VDC adptr/veh plug,CSA type .....	1,295.00
72-0293-56-E	Gas Tracer,2-sensor,PPM CH4/CO w/alkaline & Li-ion batt packs/chgr/DC adptr w/veh plug,CSA type	1,355.00
72-0293-56-F	Gas Tracer,2-sensor, PPM CH4/CO with Li-ion battery pack/charger/AC and DC adapters,CSA type .....	1,315.00
72-0293-56-G	Gas Tracer,2-sensor, PPM CH4/CO with alkaline & Li-ion batt packs/chgr/AC/DC adptrs,CSA type .....	1,375.00
72-0293-56-H	Gas Tracer,2-sensor, PPM CH4/CO with Li-ion battery pack, no charger,CSA type .....	1,245.00
72-0293-56H-A	Gas Tracer,2-sensor, PPM CH4/CO(H2S) with alkaline battery pack w/o charcoal filter,CSA type .....	1,095.00
72-0293-56H-B	Gas Tracer,2-sensor,PPM CH4/CO(H2S) w/alka & Li-ion batt packs/chgr/AC adptr w/o char fltr,CSA type	1,355.00
72-0293-56H-C	Gas Tracer,2-sensor,PPM CH4/CO(H2S) w/ Li-ion batt pack/chgr/AC adptr w/o char filter,CSA type .....	1,295.00
72-0293-56H-D	Gas Tracer,2-sensor,PPM CH4/CO(H2S) w/Li-ion batt pk/chgr/12VDC adptr/veh plug w/o char ftr, CSA type .....	1,295.00
72-0293-56H-E	Gas Tracer,2-sens,PPM CH4/CO(H2) w/alka & Li-ion batt packs/chgr/DC adp w/veh plg w/o char, CSA type .....	1,355.00
72-0293-56H-F	Gas Tracer,2-sens,PPM CH4/CO(H2S) w/Li-ion batt pack/chgr/AC a DC adptrs w/o char flt,CSA type ...	1,315.00
72-0293-56H-G	Gas Tracer,2-sens,PPM CH4/CO(H2S) w/alka & Li-ion batt packs/chgr/AC/DC adptrs w/o char fl,CSA type	1,375.00
72-0293-56H-H	Gas Tracer,2-sensor,PPM CH4/CO(H2S) w/ Li-ion batt pack, no charger w/o char filter,CSA type .....	1,245.00
72-0293-59-A	Gas Tracer,3-sensor, PPM CH4/LEL/O2 with alkaline battery pack,CSA type .....	1,145.00
72-0293-59-B	Gas Tracer,3-sensor, PPM CH4/LEL/O2 with alkaline & Li-ion batt packs/chgr/AC adptr,CSA type .....	1,405.00
72-0293-59-C	Gas Tracer,3-sensor, PPM CH4/LEL/O2 with Li-ion battery pack/charger/AC adapter,CSA type .....	1,345.00
72-0293-59-D	Gas Tracer,3-sensor, PPM CH4/LEL/O2 with Li-ion batt pack/chgr/12VDC adptr/veh plug,CSA type ...	1,345.00
72-0293-59-E	Gas Tracer,3-sens,PPM CH4/LEL/O2 w/alkaline & Li-ion batt packs/chg/DC adpt w/veh plug,CSA type	1,405.00
72-0293-59-F	Gas Tracer,3-sensor, PPM CH4/LEL/O2 with Li-ion batt pack/charger/AC and DC adapters,CSA type ...	1,365.00
72-0293-59-G	Gas Tracer,3-sens,PPM CH4/LEL/O2 w/alkaline & Li-ion batt packs/chgr/AC & DC adpts,CSA type .....	1,425.00
72-0293-59-H	Gas Tracer,3-sensor, PPM CH4/LEL/O2 with Li-ion battery pack, no charger,CSA type .....	1,295.00
72-0293-60-A	Gas Tracer,3-sensor, PPM CH4/LEL/CO with alkaline battery pack,CSA type .....	1,145.00
72-0293-60-B	Gas Tracer,3-sensor, PPM CH4/LEL/CO with alkaline & Li-ion batt packs/chgr/AC adptr,CSA type.....	1,405.00
72-0293-60-C	Gas Tracer,3-sensor, PPM CH4/LEL/CO with Li-ion battery pack/charger/AC adapter,CSA type.....	1,345.00
72-0293-60-D	Gas Tracer,3-sensor, PPM CH4/LEL/CO with Li-ion batt pack/chgr/12VDC adpt/veh plug,CSA type .....	1,345.00

# Numerical Index

Part#	Description	Suggested Retail
72-0293-60-E	Gas Tracer,3-sens,PPM CH4/LEL/CO w/alkaline & Li-ion bat packs/chg/DC adpt w/veh plug,CSA type	1,405.00
72-0293-60-F	Gas Tracer,3-sensor, PPM CH4/LEL/CO with Li-ion batt pack/charger/AC and DC adapters,CSA type ...	1,365.00
72-0293-60-G	Gas Tracer,3-sens, PPM CH4/LEL/CO with alkaline & Li-ion batt packs/chgr/AC & DC adptrs,CSA type ...	1,425.00
72-0293-60-H	Gas Tracer,3-sensor, PPM CH4/LEL/CO with Li-ion battery pack, no charger,CSA type .....	1,295.00
72-0293-60H-A	Gas Tracer,3-sensor, PPM CH4/LEL/CO(H2S) w/alkaline batt pack w/o charcoal filter,CSA type.....	1,145.00
72-0293-60H-C	Gas Tracer,3-sens,PPM CH4/LEL/CO(H2S) w/Li-ion batt pack/chgr/AC adpt w/o char filter,CSA type ...	1,345.00
72-0293-60H-D	Gas Tracer,3-sens,PPM CH4/LEL/CO(H2S) w/Li-ion bat pk/chgr/12VDC adpt/veh plug w/o char flt, CSA type .....	1,345.00
72-0293-60H-F	Gas Tracer,3-sens,PPM CH4/LEL/CO(H2S) w/Li-ion batt pk/chgr/AC & DC adptrs w/o char fil,CSA type	1,365.00
72-0293-60H-H	Gas Tracer,3-sensor,PPM CH4/LEL/CO(H2S) w/Li-ion batt pack, no chgr w/o char filter,CSA type .....	1,295.00
72-0293-64-A	Gas Tracer,4-sensor, PPM CH4/LEL/O2/CO with alkaline battery pack,CSA type.....	1,195.00
72-0293-64-B	Gas Tracer,4-sens, PPM CH4/LEL/O2/CO with alkaline & Li-ion batt packs/chgr/AC adptr,CSA type .....	1,455.00
72-0293-64-C	Gas Tracer,4-sensor, PPM CH4/LEL/O2/CO with Li-ion battery pack/charger/AC adapter,CSA type .....	1,395.00
72-0293-64-D	Gas Tracer,4-sens, PPM CH4/LEL/O2/CO with Li-ion batt pack/chgr/12VDC adpt/veh plug,CSA type ...	1,395.00
72-0293-64-E	Gas Tracer,4-sens, PPM CH4/LEL/O2/CO with alkaline & Li-ion batt packs/chg/DC adp w/ve,CSA type	1,455.00
72-0293-64-F	Gas Tracer,4-sensor, PPM CH4/LEL/O2/CO with Li-ion batt pack/chgr/AC & DC adapters,CSA type .....	1,415.00
72-0293-64-G	Gas Tracer,4-sens, PPM CH4/LEL/O2/CO with alka & Li-ion batt packs/chgr/AC & DC adpts,CSA type ...	1,475.00
72-0293-64-H	Gas Tracer,4-sensor, PPM CH4/LEL/O2/CO with Li-ion battery pack, no charger,CSA type.....	1,345.00
72-0293-64H-A	Gas Tracer,4-sensor, PPM CH4/LEL/O2/CO(H2S) w/alkaline batt pack w/o char filter,CSA type .....	1,195.00
72-0293-64H-B	Gas Tracer,4-sens,PPM CH4/LEL/O2/CO(H2S) w/alka & Li-ion bat packs/chgr/AC adaptr w/o char, CSA type .....	1,455.00
72-0293-65-A	Gas Tracer,4-sensor, PPM CH4/LEL/% volume CH4/O2 with alkaline battery pack,CSA type .....	1,245.00
72-0293-65-B	Gas Tracer,4-sens, PPM CH4/LEL/% volume CH4/O2 with alka & Li-ion batt packs/chgr/AC,CSA type ...	1,505.00
72-0293-65-C	Gas Tracer,4-sensor, PPM CH4/LEL/% volume CH4/O2 with Li-ion batt pack/chgr/AC adptr,CSA type ...	1,445.00
72-0293-65-D	Gas Tracer,4-sens, PPM CH4/LEL/% vol CH4/O2 w/Li-ion batt pack/chgr/12VDC adt/veh p,CSA typ.....	1,445.00
72-0293-65-E	Gas Tracer,4-sens, PPM CH4/LEL/% volume CH4/O2 with alka & Li-ion batt packs/chgr/DC,CSA type ...	1,505.00
72-0293-65-F	Gas Tracer,4-sens, PPM CH4/LEL/% vol CH4/O2 with Li-ion batt pack/chgr/AC/DC adptrs,CSA type ...	1,465.00
72-0293-65-G	Gas Tracer,4-sensor, PPM CH4/LEL/% vol CH4/O2 w/ alka & Li-ion batt packs/chg/AC/DC,CSA type ...	1,525.00
72-0293-65-H	Gas Tracer,4-sens, PPM CH4/LEL/% volume CH4/O2 with Li-ion batt pack, no charger,CSA type .....	1,395.00
72-0293-69-A	Gas Tracer,5-sensor, PPM CH4/LEL/% volume CH4/O2/CO with alkaline battery pack,CSA type .....	1,245.00
72-0293-69-B	Gas Tracer,5-sensor, PPM CH4/LEL/% vol CH4/O2/CO w/alka & Li-ion bat packs/chgr/AC,CSA type .....	1,555.00
72-0293-69-C	Gas Tracer,5-sensor, PPM CH4/LEL/% vol CH4/O2/CO w/Li-ion batt pack/chgr/AC adptr,CSA type .....	1,495.00
72-0293-69-D	Gas Tracer,5-sens, PPM CH4/LEL/% vol CH4/O2/CO with Li-ion batt pack/chgr/12VDC ad/veh pl, CSA type .....	1,495.00
72-0293-69-E	Gas Tracer,5-sens, PPM CH4/LEL/% vol CH4/O2/CO with alka & Li-ion bat packs/chgr/DC,CSA type ...	1,555.00
72-0293-69-F	Gas Tracer,5-sens, PPM CH4/LEL/% vol CH4/O2/CO with Li-ion batt pack/chgr/AC/DC adptrs,CSA type	1,515.00
72-0293-69-G	Gas Tracer,5-sens, PPM CH4/LEL/% vol CH4/O2/CO w/alka & Li-ion bat packs/chgr/AC & DC,CSA type	1,575.00
72-0293-69-H	Gas Tracer,5-sensor, PPM CH4/LEL/% vol CH4/O2/CO with Li-ion batt pack, no charger,CSA type .....	1,445.00
72-0293-69H-A	Gas Tracer,5-sens, PPM CH4/LEL/% vol CH4/O2/CO(H2S) w/alka batt pack w/o char filter,CSA type.....	1,295.00
72-0293-69H-B	Gas Tracer,5-sens,PPM CH4/LEL/% vol CH4/O2/CO(H2S) w/alka & Li-ion bat packs/chg/AC w/o chr, CSA type .....	1,555.00
72-0293-69H-F	Gas Tracer,5-sens,PPM CH4/LEL/%vol CH4/O2/CO(H2S) w/Li-ion bat pk/chg/AC/DC adptrs w/o char, CSA type .....	1,515.00
72-0300RK	GX-2009, 1 gas, LEL with alligator clip, no charger .....	470.00
72-0300RKA	GX-2009, 1 gas, LEL with alligator clip, 12 VDC charger and vehicle plug .....	535.00
72-0300RKC	GX-2009, 1 gas, LEL with alligator clip and 115 / 220 VAC charger .....	520.00
72-0301RK	GX-2009, 1 gas, O2 with alligator clip, no charger .....	470.00
72-0301RKA	GX-2009, 1 gas, O2 with alligator clip, 12 VDC charger and vehicle plug .....	535.00
72-0301RKC	GX-2009, 1 gas, O2 with alligator clip and 115 / 220 VAC charger .....	520.00
72-0302RK	GX-2009 1-gas,H2S,w/alligator clip,no charger.....	470.00
72-0302RKA	GX-2009 1-gas,H2S,w/alligator clip,w/charger & 12 VDC adapter w/vehicle plug .....	535.00
72-0302RKC	GX-2009, 1 gas, H2S with alligator clip and 115 / 220 VAC charger .....	520.00
72-0304RK	GX-2009, 2 gas, LEL / O2 with alligator clip, no charger .....	495.00
72-0304RKA	GX-2009, 2 gas, LEL / O2 with alligator clip, 12 VDC charger and vehicle plug .....	560.00
72-0304RKC	GX-2009, 2 gas, LEL / O2 with alligator clip and 115 / 220 VAC charger .....	545.00
72-0304RKC-50	GX-2009 2-gas,LEL/Oxy,w/alligator clip,w/AC charger & small padded carrying case .....	630.00
72-0305RK	GX-2009, 2 gas, O2 / H2S with alligator clip, no charger .....	495.00
72-0305RKA	GX-2009, 2 gas, O2 / H2S with alligator clip, 12 VDC charger and vehicle plug .....	560.00
72-0305RKA-01	GX-2009, 2 gas, O2 / H2S with alligator clip and 12 VDC charger.....	665.00
72-0305RKC	GX-2009, 2 gas, O2 / H2S with alligator clip and 115 / 220 VAC charger .....	545.00
72-0306RK	GX-2009, 2 gas, O2 / CO with alligator clip, no charger .....	495.00



# Numerical Index

Part#	Description	Suggested Retail
72-0306RKA	GX-2009, 2 gas, O2 / CO with alligator clip, 12 VDC charger and vehicle plug .....	560.00
72-0306RKA-01	GX-2009, 2 gas, O2 / CO with alligator clip and 12 VDC charger .....	665.00
72-0306RKC	GX-2009, 2 gas, O2 / CO with alligator clip and 115 / 220 VAC charger .....	545.00
72-0307RK	GX-2009, 2 gas, LEL / H2S with alligator clip, no charger .....	495.00
72-0307RKA	GX-2009, 2 gas, LEL / H2S with alligator clip, 12 VDC charger, and vehicle plug .....	560.00
72-0307RKC	GX-2009, 2 gas, LEL / H2S with alligator clip and 115 / 220 VAC charger .....	545.00
72-0308RK	GX-2009, 2 gas, LEL / CO with alligator clip, no charger .....	495.00
72-0308RKA	GX-2009, 2 gas, LEL / CO with alligator clip, 12 VDC charger, and vehicle plug .....	560.00
72-0308RKC	GX-2009, 2 gas, LEL / CO with alligator clip and 115 / 220 VAC charger .....	545.00
72-0309RK	GX-2009, 2 gas, H2S / CO with alligator clip, no charger .....	495.00
72-0309RKA	GX-2009, 2 gas, H2S / CO with alligator clip, 12 VDC charger, and vehicle plug .....	560.00
72-0309RKC	GX-2009, 2 gas, H2S / CO with alligator clip and 115 / 220 VAC charger .....	545.00
72-0310RK	GX-2009, 3 gas, LEL / O2 / H2S with alligator clip, no charger .....	520.00
72-0310RKA	GX-2009, 3 gas, LEL / O2 / H2S with alligator clip, 12 VDC charger, and vehicle plug .....	585.00
72-0310RKA-01	GX-2009, 3 gas, LEL / O2 / H2S with alligator clip and 12 VDC charger .....	690.00
72-0310RKC	GX-2009, 3 gas, LEL / O2 / H2S with alligator clip and 115 / 220 VAC charger .....	570.00
72-0311-MSHA	GX-2009 MSHA, 3 gas, CH4 / O2 / CO with alligator clip, no charger .....	670.00
72-0311-MSHA-A	GX-2009 MSHA, 3 gas, CH4 / O2 / CO with alligator clip, 12 VDC charger and vehicle plug .....	735.00
72-0311-MSHA-C	GX-2009 MSHA, 3 gas, CH4 / O2 / CO with alligator clip and 115 / 220 VAC charger .....	720.00
72-0311-MSHAC56	GX-2009 3-gas confined space kit,LEL/Oxy/CO,w/AC charger and cal kit,MSHA version .....	1,100.00
72-0311RK	GX-2009, 3 gas, LEL / O2 / CO with alligator clip, no charger .....	520.00
72-0311RKA	GX-2009, 3 gas, LEL / O2 / CO with alligator clip, 12 VDC charger, and vehicle plug .....	585.00
72-0311RKA-01	GX-2009, 3 gas, LEL / O2 / CO with alligator clip and 12 VDC charger .....	690.00
72-0311RKC	GX-2009, 3 gas, LEL / O2 / CO with alligator clip and 115 / 220 VAC charger .....	570.00
72-0311RKC-05	GX-2009 3-gas,LEL/Oxy/CO,w/alligator clip,w/charger & 100/115/220 VAC adapter,w/cal cup .....	585.00
72-0311RKC-50	GX-2009 3-gas confined space kit,LEL/Oxy/CO,w/AC charger and small padded case .....	655.00
72-0311RKC-56	GX-2009 3-gas confined space kit,LEL/Oxy/CO,w/AC charger and cal kit .....	950.00
72-0312RK	GX-2009, 3 gas, LEL / H2S / CO with alligator clip, no charger .....	520.00
72-0312RKA	GX-2009, 3 gas, LEL / H2S / CO with alligator clip, 12 VDC charger, and vehicle plug .....	585.00
72-0312RKC	GX-2009, 3 gas, LEL / H2S / CO with alligator clip and 115 / 220 VAC charger .....	570.00
72-0313RK	GX-2009, 3 gas, O2 / H2S / CO with alligator clip, no charger .....	520.00
72-0313RKA	GX-2009, 3 gas, O2 / H2S / CO with alligator clip, 12 VDC charger, and vehicle plug .....	585.00
72-0313RKC	GX-2009, 3 gas, O2 / H2S / CO with alligator clip and 115 / 220 VAC charger .....	570.00
72-0314-MSHA	GX-2009 MSHA, 4 gas, CH4 / O2 / H2S / CO with alligator clip, no charger .....	650.00
72-0314-MSHA-A	GX-2009 MSHA, 4 gas, CH4 / O2 / H2S / CO with alligator clip, 12 VDC charger and vehicle plug .....	760.00
72-0314-MSHA-C	GX-2009 MSHA, 4 gas, CH4 / O2 / H2S / CO with alligator clip and 115 / 220 VAC charger .....	745.00
72-0314RK	GX-2009, 4 gas, LEL / O2 / H2S / CO with alligator clip, no charger .....	545.00
72-0314RKA	GX-2009, 4 gas, LEL / O2 / H2S / CO with alligator clip, 12 VDC charger, and vehicle plug .....	620.00
72-0314RKA-50	Confined space kit including a GX-2009 with 12 VDC charger, and small padded case .....	705.00
72-0314RKA-51	Confined space kit including a GX-2009 with 12 VDC charger, padded case, hand aspirator assembly with 10' hose, and probe .....	835.00
72-0314RKA-52	Confined space kit including a GX-2009 with 12 VDC charger, hand aspirator assembly with 10' hose, probe, 34AL cyl H2S/CO/O2/CH4, reg with gauge & knob, padded case, calibration cap, and cal tubing .....	1,205.00
72-0314RKA-56	Confined space kit including a GX-2009 with 12 VDC charger and vehicle plug, calibration cap, 34AL cyl H2S (25 ppm)/CO/O2/CH4, reg with gauge & knob, screwdriver, padded case, and cal tubing .....	1,110.00
72-0314RKA-58	Confined space kit including a GX-2009 with 12 VDC charger and vehicle plug, RP-2009, screwdriver, and padded case .....	1,160.00
72-0314RKA-59	Confined space kit including a GX-2009 with 12 VDC charger and vehicle plug, RP-2009, calibration cap, 34AL cyl H2S (25 ppm)/CO/O2/CH4, reg with gauge & knob, screw driver, padded case, and cal tubing .....	1,530.00
72-0314RKC	GX-2009, 4 gas, LEL / O2 / H2S / CO with alligator clip and 115 / 220 VAC charger .....	595.00
72-0314RKC-05	GX-2009, 4 gas, LEL / O2 / H2S / CO with alligator clip, 115 / 220 VAC charger, and calibration cap .....	610.00
72-0314RKC-50	Confined space kit including a GX-2009 with 115 VAC charger, screwdriver, and small padded case .....	680.00
72-0314RKC-51	Confined space kit including a GX-2009 with 115 VAC charger, screwdriver, padded case, hand aspirator assembly with 10' hose, and probe .....	810.00
72-0314RKC-52	Confined space kit including a GX-2009 with 115 VAC charger, hand aspirator assembly with 10' hose, probe, 34AL cyl H2S (25 ppm)/CO/O2/CH4, reg with gauge & knob, screwdriver, padded case, calibration cap, and cal tubing .....	1,180.00
72-0314RKC-56	Confined space kit including a GX-2009 with 115 VAC charger, calibration cap, 34AL cyl H2S (25 ppm)/ CO/O2/CH4, reg with gauge & knob, screwdriver, padded case, and cal tubing .....	1,085.00
72-0314RKC-58	Confined space kit including a GX-2009 with 115 VAC charger, RP-2009, screwdriver, and padded case .....	1,135.00

# Numerical Index

<b>Part#</b>	<b>Description</b>	<b>Suggested Retail</b>
72-0314RKC-5820	GX-2009 confined space kit, pump with 20 ft hose and probe .....	1,175.00
72-0314RKC-59	Confined space kit including a GX-2009 with 115 VAC charger, RP-2009, calibration cap, 34AL cyl H2S (25 ppm)/CO/O2/CH4, reg with gauge & knob, screwdriver, padded case, and cal tubing .....	1,505.00
72-0314RKC-59NG	Confined space kit w/RP-2009 pump/10 ft hose/probe/cal kit(no gas)/case .....	1,345.00
72-0314RKC-61	GX-2009 4-gas confined space kit,LEL/Oxy/H2S/CO,w/AC charger,w/out cylinder & regulator.....	790.00
72-0314RKC-64	GX-2009 with 115 VAC charger, 12 VDC cord with vehicle plug, screwdriver, and padded carrying case ...	705.00
72-0314RKC-66	GX-2009 with 115 VAC charger, 12 VDC cord with vehicle plug, RP-2009, calibration cap, 34AL cyl H2S (25 ppm)/CO/O2/CH4, regulator, screwdriver, padded case, and tubing .....	1,530.00
72-0314RKC-HC	GX-2009, 4 gas, LEL (isobutane) / O2 / H2S / CO with alligator clip and 115 / 220 VAC charger .....	595.00
72-0314RKC-B	GX-2009 4-gas,LEL/Oxy/H2S/CO,w/belt clip,w/charger & 100/115/220 VAC adapter.....	595.00
72-0316-MSHA	GX-2009 MSHA, 4 gas, CH4 / O2 / NO2 / CO with alligator clip, no charger.....	745.00
72-0316-MSHA-A	GX-2009 MSHA, 4 gas, CH4 / O2 / NO2 / CO with alligator clip, 12 VDC charger and vehicle plug.....	810.00
72-0316-MSHA-C	GX-2009 MSHA, 4 gas, CH4 / O2 / NO2 / CO with alligator clip and 115 / 220 VAC charger .....	795.00
72-0318-MSHA-C	GX-2009 MSHA, 3 gas, CH4 / O2 / CO (can add NO2 channel) with alligator clip and 115 / 220 VAC charger .....	770.00
72-0319-C	GX-2009 4-gas,NO2/CO,w/alligator clip/charger,100/115/220 VAC adapter .....	645.00
72-0320RK	GX-8000, 1 sensor, LEL (specify calibration) with alkaline battery pack .....	1,275.00
72-0320RKC	GX-8000, 1 sensor, LEL (specify calibration) with Li-Ion battery pack and 115/220 VAC charger .....	1,645.00
72-0321RK	GX-8000, 1 sensors, O2 with alkaline battery pack .....	1,275.00
72-0321RKC	GX-8000, 1 sensor, Oxygen (O2) with lithium ion battery pack and 115/220 VAC charger.....	1,645.00
72-0322RKC	GX-8000, 2 sensors, LEL (specify calibration) / Oxygen (O2) with lithium ion battery pack and 115/220 VAC charger .....	2,395.00
72-0323RKC	GX-8000, 3 sensors, LEL (specify calibration) / Oxygen (O2) / Hydrogen Sulfide (H2S) with lithium ion battery pack and 115/220 VAC charger .....	3,275.00
72-0324RKC	GX-8000, 3 sensors, LEL (specify calibration) / Oxygen (O2) / Carbon Monoxide (CO) with lithium ion battery pack and 115/220 VAC charger .....	3,275.00
72-0325RKC	GX-8000, 3 sensors, LEL (specify calibration) / % volume Methane (CH4) / Oxygen (O2) with lithium ion battery pack and 115/220 VAC charger .....	3,275.00
72-0326RKC	GX-8000, 4 sensors, LEL (specify calibration) / Oxygen (O2) / Hydrogen Sulfide (H2S) / Carbon Monoxide (CO) with lithium ion battery pack and 115/220 VAC charger .....	3,750.00
72-0326RKC-01	GX-8000, 4 sensors, LEL (specify calibration) / Oxygen (O2) / Hydrogen Sulfide (H2S) / Carbon Monoxide (CO) with lithium ion battery pack and 115/220 VAC charger, special version for coal / bulk carriers with dilution fitting for inert applications .....	3,790.00
72-0327RKC	GX-8000, 5 sensors, % Vol (CH4) / LEL / O2 / H2S / CO with Li-Ion battery pack and 115/220 VAC charger .....	3,995.00
72-1004	OX-600 oxygen monitor, 0-25%, battery operated (2 AA batteries) .....	740.00
72-1004-03	OX-600 oxygen monitor, 0-25%, battery operated (2 AA batteries) with 3 meter sensor cable installed ...	880.00
72-1004-03-CSA	OX-600 oxygen monitor, 0-25%, battery operated (2 AA batteries) with 3 meter sensor cable installed, CSA version.....	895.00
72-1004-05	OX-600 oxygen monitor, 0-25%, battery operated (2 AA batteries) with 5 meter sensor cable installed ...	900.00
72-1004-05-CSA	OX-600 oxygen monitor, 0-25%, battery operated (2 AA batteries) with 5 meter sensor cable installed, CSA version.....	915.00
72-1004-10	OX-600 oxygen monitor, 0-25%, battery operated (2 AA batteries) with 10 meter sensor cable installed	940.00
72-1004-10-CSA	OX-600 oxygen monitor, 0-25%, battery operated (2 AA batteries) with 10 meter sensor cable installed, CSA version.....	955.00
72-1004-20	OX-600 oxygen monitor, 0-25%, battery operated (2 AA batteries) with 20 meter sensor cable installed	1,040.00
72-1004-20-CSA	OX-600 oxygen monitor, 0-25%, battery operated (2 AA batteries) with 20 meter sensor cable installed, CSA version .....	1,055.00
72-1004-CC	OX-600 oxygen monitor,0-25%,battery operated (2 AA batteries),with calibration cup .....	785.00
72-1004-CSA	OX-600 oxygen monitor, 0-25%, battery operated (2 AA batteries), CSA version .....	755.00
72-1005	OX-600 oxygen monitor, 0-25%, 24 VDC operation .....	740.00
72-1005-03	OX-600 oxygen monitor, 0-25%, 24 VDC operation with 3 meter sensor cable .....	880.00
72-1005-03-CSA	OX-600 oxygen monitor, 0-25%, 24 VDC operation with 3 meter sensor cable, CSA version .....	895.00
72-1005-05	OX-600 oxygen monitor, 0-25%, 24 VDC operation with 5 meter sensor cable .....	900.00
72-1005-05-CSA	OX-600 oxygen monitor, 0-25%, 24 VDC operation with 5 meter sensor cable, CSA version .....	915.00
72-1005-10	OX-600 oxygen monitor, 0-25%, 24 VDC operation with 10 meter sensor cable .....	940.00
72-1005-10-CSA	OX-600 oxygen monitor, 0-25%, 24 VDC operation with 10 meter sensor cable, CSA version .....	955.00
72-1005-20	OX-600 oxygen monitor, 0-25%, 24 VDC operation with 20 meter sensor cable .....	1,040.00
72-1005-20-CSA	OX-600 oxygen monitor, 0-25%, 24 VDC operation with 20 meter sensor cable, CSA version .....	1,055.00
72-1005-CSA	OX-600 oxygen monitor, 0-25%, 24 VDC operation, CSA version .....	755.00
72-1006	OX-600 oxygen monitor, 0-25%, 115 VAC operation with power cord .....	740.00

# Numerical Index

Part#	Description	Suggested Retail
72-1006-03	OX-600 oxygen monitor, 0-25%, 115 VAC operation with 3 meter sensor cable and power cord .....	880.00
72-1006-03-CSA	OX-600 oxygen monitor, 0-25%, 115 VAC operation with 3 meter sensor cable, CSA version .....	895.00
72-1006-05	OX-600 oxygen monitor, 0-25%, 115 VAC operation with 5 meter sensor cable .....	900.00
72-1006-05-CSA	OX-600 oxygen monitor, 0-25%, 115 VAC operation with 5 meter sensor cable, CSA version .....	915.00
72-1006-10	OX-600 oxygen monitor, 0-25%, 115 VAC operation with 10 meter sensor cable .....	940.00
72-1006-10-CSA	OX-600 oxygen monitor, 0-25%, 115 VAC operation with 10 meter sensor cable, CSA version .....	955.00
72-1006-20	OX-600 oxygen monitor, 0-25%, 115 VAC operation with 20 meter sensor cable .....	1,040.00
72-1006-20-CSA	OX-600 oxygen monitor, 0-25%, 115 VAC operation with 20 meter sensor cable, CSA version .....	1,055.00
72-1006-CSA	OX-600 oxygen monitor, 0-25%, 115 VAC operation, CSA version .....	755.00
72-2102-04	Beacon 200,w/24 VDC strobe/horn for com alm 1 operation,LEL & H2S detectors on 25 ft cables .....	3,100.00
72-2102-05	Beacon 200,w/24VDC strobe/horn & com alm 1 operation,1H2S det(spec cable on order),AC cord .....	2,750.00
72-2102-06	Beacon 200,w/24 VDC strobe/horn for com alm 1 operation,LEL detectors on 100 ft cables .....	3,300.00
72-2102-07	Beacon 200,w/24 VDC strobe/horn com alm 1 operation,2 H2S det(spec cable on order),AC cord .....	3,300.00
72-2102-08	Beacon 200, two channel controller, 115/220 VAC, with small red strobe light (uses common alarm 1 relay contact for strobe) (no sensors) .....	2,125.00
72-2102-08-H201	Beacon 200,w/24 VDC red strobe for common alarm 1 operation,H2 specific channel 1 .....	2,150.00
72-2102-08-H202	Beacon 200,w/24 VDC red strobe for common alarm 1 operation,for 2 H2 specific channels .....	2,150.00
72-2102-09	Beacon 200,w/24 VDC blue strobe for common alarm 1 operation.....	2,150.00
72-2102-10	Beacon 200,w/24 VDC amber strobe for common alarm 1 operation .....	2,150.00
72-2102-11	Beacon 200 with 24V Tomar red strobe,common Alarm 1 operation .....	2,000.00
72-2102-12-08	Beacon 200,12 VDC,w/DC red strobe for common alarm 1 operation.....	2,200.00
72-2102-13	Beacon 200,w/24 VDC strobe/horn,stroke for com alm 1 operation,horn for com alm 2 operation .....	2,250.00
72-2102-H2-01	Beacon 200, two channel controller, 115/220 VAC, for one H2 specific channel and one standard channel .....	1,900.00
72-2102-H2-02	Beacon 200, two channel controller, 115/220 VAC, for two H2 specific channels .....	1,900.00
72-2102-HR-02	Beacon 200 controller,12 VDC,with horn/strobe,H2S detectors with 75 ft and 150 ft cables.....	3,600.00
72-2102-OC23R	Beacon 200 controller,12 VDC,with horn and strobe,Oxygen & CO2(0-5%) sensors .....	3,400.00
72-2102RK	Beacon 200, two channel controller, 115/220 VAC (no sensors) .....	1,900.00
72-2102RK-12	Beacon 200 controller,12 VDC .....	1,900.00
72-2102RK-HLR	Rig Monitor system, with Beacon 200 two channel controller, Hydrogen Sulfide (H2S) 0-100 ppm sensor, combustible sensor 0-100% LEL, with cal cup / splash guard and 25' cable, horn/strobe, and 50' power cable with battery clamps .....	3,250.00
72-2102RK-HR	Rig Monitor system, with Beacon 200 two channel controller, Hydrogen Sulfide (H2S) 0-100 ppm sensor with cal cup / splash guard and 25' cable, horn/strobe, and 50' power cable with battery clamps .....	3,400.00
72-2102RK-LR-01	Beacon 200 controller, 12 VDC,with remote horn/strobe,LEL sensors.....	3,100.00
72-2104A	Beacon 410A, four channel controller (no sensor) .....	2,400.00
72-2104A-01	Beacon 410A, four channel controller with battery charger (no sensors or back-up battery) .....	2,450.00
72-2104A-06	Beacon 410A controller w/ battery charging and strobe/horn .....	2,750.00
72-2104A-08	Beacon 410A,std basic unit w/amber (alm 1) & red (alm 2) Federal Streamline LP3 strobes .....	2,900.00
72-2104A-09	Beacon 410A with Ingram red strobe w/o battery charging. ....	2,650.00
72-2104A-10	Beacon 410A with Ingram red strobe with battery charging. ....	2,700.00
72-2104A-11-02	Beacon 410A w/battery charging,w/amber(alm1) & red(alm2) strobes(Ingram) .....	2,800.00
72-2104A-13A	Beacon 410A controller w/large amber strobe,without battery charging .....	2,750.00
72-2104A-13A-01	Beacon 410A controller w/large amber strobe,with battery charging .....	2,800.00
72-2104A-13B	Beacon 410A controller w/large blue strobe,without battery charging .....	2,750.00
72-2104A-13R	Beacon 410A, four channel controller with large red strobe light (no sensor) .....	2,800.00
72-2104A-14B	Beacon 410A contoller with large blue strobe and battery charging .....	2,750.00
72-2104A-14R	Beacon 410A, four channel controller with terminals for battery charger, large red strobe light (no sensors or back-up battery).....	2,800.00
72-2104A-HLR-02	Beacon 410A,basic unit,horn/strobe,2 LEL/2 H2S detectors w/out cables (spec. on order),w/AC cord ...	4,600.00
72-2104A-HLR-03	Beacon 410A,basic unit,horn/strobe on top,2 LEL/2 H2S det w/out cables (spec. on order),w/AC cord	4,600.00
72-2104A-HR-03	Beacon 410A controller,basic unit w/12 VDC operation & horn/strobe,4 H2S sensors on 150 ft cables	5,600.00
72-2108RK	Beacon 800, eight channel controller (no sensors) .....	2,300.00
72-2110-03AMB	Beacon 110 controller w/amber strobe & batt charging .....	1,180.00
72-2110-03BLU	Beacon 110 controller w/blue strobe & batt charging .....	1,180.00
72-2110-05-01	Beacon 110,std basic unit w/horn/strobe(blue lens)/H2S detector/cal adptr/splash guard,special alarms	1,800.00
72-2110-06	Beacon 110 standard basic unit w/horn/strobe and LEL detector on 100 ft cable .....	1,850.00
72-2110-HR-100	Beacon 110 controller,standard basic unit,12V DC,W/horn/strobe,H2S sensor on 100 ft cable.....	2,000.00
72-2110RK	Beacon 110, single channel controller (no sensor) .....	1,000.00
72-2110RK-01	Beacon 110, single channel controller with battery charger (no sensor or back-up battery).....	1,050.00
72-2110RK-02	Beacon 110, single channel controller with small red strobe light (no sensor) .....	1,130.00

# Numerical Index

Part#	Description	Suggested Retail
72-2110RK-02AMB	Beacon 110 controller w/amber strobe,w/o batt charging .....	1,130.00
72-2110RK-02BLU	Beacon 110 controller w/blue strobe,w/o batt charging .....	1,130.00
72-2110RK-03	Beacon 110, single channel controller with battery charger and small red strobe light (no sensor or back-up battery) .....	1,180.00
72-2110RK-05	Beacon 110 controller,standard basic unit w/horn/strobe .....	1,200.00
72-2110RK-HR	Rig Monitor system, with Beacon 110 single channel controller, Hydrogen Sulfide (H2S) 0-100 ppm sensor with cal cup / splash guard and 25' cable, horn/strobe, and 50' power cable with battery clamps .....	1,900.00
72-2110RK-LR-01	Rig Monitor system, with Beacon 110 single channel controller, combustibile sensor 0-100% LEL, with cal cup / splash guard and 25' cable, horn/strobe, and 50' power cable with battery clamps .....	1,900.00
72-2120-101	Digester gas monitor, 100% volume CH4 .....	15,000.00
72-2120-102	Digester gas monitor, 25% volume O2 .....	14,700.00
72-2120-103	Digester gas monitor, 1,000 ppm H2S .....	14,800.00
72-2120-103-3K	Digester, gas monitor, 3000 ppm H2S .....	14,800.00
72-2120-103-5K	Digester,Gas Analyzer,5000ppm H2S .....	14,800.00
72-2120-104	Digester gas monitor, 50% volume CO2 .....	15,000.00
72-2120-201	Digester gas monitor, 100% volume CH4 / 25% volume O2 .....	15,200.00
72-2120-202	Digester gas monitor, 100% volume CH4 / 1,000 ppm H2S .....	15,300.00
72-2120-202-3K	Digester,Gas Analyzer,100%vol CH4/3000ppm H2S .....	15,300.00
72-2120-203	Digester gas monitor, 100% volume CH4 / 50% volume CO2 .....	15,500.00
72-2120-204	Digester gas monitor, 25% volume O2 / 1,000 ppm H2S .....	15,000.00
72-2120-205	Digester gas monitor, 25% volume O2 / 50% volume CO2 .....	15,200.00
72-2120-301	Digester gas monitor, 100% volume CH4 / 25% volume O2 / 1,000 ppm H2S .....	15,500.00
72-2120-302	Digester gas monitor, 100% volume CH4 / 25% volume O2 / 50% volume CO2 .....	15,700.00
72-2120-303	Digester gas monitor, 100% volume CH4 / 50% volume CO2 / 1,000 ppm H2S .....	15,800.00
72-2120-303-3K	Digester,Gas Analyzer,100%vol CH4/50%vol CO2/3000ppm H2S .....	15,800.00
72-2120-304	Digester gas monitor, 25% volume O2 / 50% volume CO2 / 1,000 ppm H2S .....	15,500.00
72-2120-401	Digester gas monitor, 100% volume CH4 / 25% volume O2 / 50% volume CO2 / 1,000 ppm H2S .....	16,000.00
72-2120-401-05K	Digester gas monitor, 100% volume CH4 / 25% volume O2 / 50% volume CO2 / 500 ppm H2S .....	16,000.00
72-2120-401-3K	Digester gas monitor, 100% volume CH4 / 25% volume O2 / 50% volume CO2 / 3,000 ppm H2S .....	16,000.00
72-2120-401-5K	Digester gas monitor, 100% volume CH4 / 25% volume O2 / 50% volume CO2 / 5,000 ppm H2S .....	16,000.00
72-2120-402	Digester,Gas Analyzer,100%vol CH4/25%vol O2/100%vol CO2/1000ppm H2S .....	16,000.00
72-2120-402-3K	Digester,Gas Analyzer,100%vol CH4/25%vol O2/100%vol CO2/3000ppm H2S .....	16,000.00
72-2132	Beacon 3200 controller base unit, sensor & relay module cards sold separately .....	5,200.00
72-5101RK	EAGLE for LEL & PPM (specify calibration).....	1,930.00
72-5101RK-TR1	EAGLE for Hydrogen (H2), 0 - 5% volume, for transformer gas testing, with bag & dilution fitting .....	2,000.00
72-5101RK-TRB	EAGLE for Hydrogen (H2), 0 - 5% volume, for transformer testing, 2 pumps .....	2,395.00
72-5103RK-01	EAGLE for Hydrogen Sulfide (H2S), 0 - 1.00 ppm .....	2,300.00
72-5103RK-1000	EAGLE for high range H2S,0 - 1000 ppm .....	2,000.00
72-5104RK-01	EAGLE for Carbon Monoxide (CO), 0 - 500 ppm, with H2 compensated CO sensor .....	2,400.00
72-5106RK	EAGLE for Chlorine (Cl2), 0 - 3 ppm .....	2,350.00
72-5107RK	EAGLE for Arsine (AsH3), 0 - 1.00 ppm .....	2,350.00
72-5107RKS	EAGLE for Arsine (AsH3), 0 - 0.200 ppm.....	2,350.00
72-5108RK	EAGLE for Phosphine (PH3), 0 - 1.00 ppm .....	2,350.00
72-5109RK	EAGLE for Ozone (O3) (no probe), 0 - 1 ppm.....	2,350.00
72-5110RK	EAGLE for Hydrogen Chloride (HCl), 0 - 15 ppm .....	2,350.00
72-5111RK	EAGLE for Ammonia (NH3), 0 - 75 ppm .....	2,350.00
72-5111RK-01	EAGLE for Ammonia (NH3), 0 - 200 ppm .....	2,350.00
72-5112RK	EAGLE for Hydrogen Fluoride (HF) (no probe), 0 - 9 ppm.....	2,350.00
72-5113RK	EAGLE for Nitric Oxide (NO), 0 - 100 ppm .....	2,350.00
72-5114RK	EAGLE for Nitrogen Dioxide (NO2), 0 - 15 ppm .....	2,350.00
72-5116RK	EAGLE for Hydrogen Bromide (HBr), 0 - 9 ppm .....	2,350.00
72-5117RK	EAGLE for Silane (SiH4), 0 - 15 ppm, with ES-23DH sensor, with H2 response.....	2,350.00
72-5117RK-23AH	EAGLE for Silane (SiH4), 0 - 15 ppm, with ES-23AH sensor, no H2 response .....	2,350.00
72-5118RK	EAGLE for Chlorine Dioxide (ClO2), 0 - 1 ppm (also detects chlorine) .....	2,350.00
72-5119RK	EAGLE for Fluorine (F2), 0 - 3 ppm (no probe) .....	2,350.00
72-5122RK	EAGLE for Bromine (Br2), 0 - 1 ppm .....	2,350.00
72-5123RK	EAGLE for Hydrogen Cyanide (HCN), 0 - 30 ppm .....	2,350.00
72-5124RK	EAGLE for Hydrogen Peroxide (H2O2), 0 - 3.0 ppm, (no probe) .....	2,350.00
72-5125RK	EAGLE for Hydrogen Selenide (H2Se), 0 - 0.2 ppm, (no probe) .....	2,350.00
72-5126RK	EAGLE for Hydrazine (N2H4), 0 - 5 ppm.....	2,350.00

# Numerical Index

Part#	Description	Suggested Retail
72-5127RK	Eagle,diborane (B2H6) .....	2,350.00
72-5128RK	EAGLE for Nitric Acid (HNO3), 0 - 20 PPM .....	2,350.00
72-5129RK	Eagle,Germane, 0 - 800 ppb (0-0.8 ppm) .....	2,350.00
72-5130	EAGLE for Iodine (I2), 0 - 1.00 ppm .....	2,350.00
72-5131	Eagle,DMA (dimethylamine), 0 - 15.0 ppm .....	2,350.00
72-5132	EAGLE for Hydrogen Iodide (HI), 0 - 5.00 ppm .....	2,350.00
72-5200-08	Eagle,CH4 IR(LEL/%Volume Autoranging)/HF, no probe .....	3,150.00
72-5200-09	Eagle,SO2(0-10 ppm)/CO(0-300 ppm H2 compensated) .....	3,200.00
72-5200-10	Eagle,H2S/HCl .....	3,050.00
72-5200-11	Eagle,F2/B2H6,no probe .....	3,100.00
72-5200-12	Eagle,HF/NH3,no probe .....	3,100.00
72-5200-13	Eagle,CL2/PH3 .....	3,100.00
72-5200-14	Eagle,HC(%LEL/30% Vol autoranging)/H2S .....	2,600.00
72-5200-15	Eagle,CL2/NO2 .....	3,100.00
72-5200-16	Eagle,CL2(ES-K239B)/HCN .....	3,100.00
72-5200-17	Eagle,Oxygen/HF,no probe .....	2,550.00
72-5200-18	Eagle,HF/HCl(w/ES-23E) (no probe) .....	3,100.00
72-5200-19	Eagle,H2O2/Cl2,no probe .....	3,100.00
72-5200-20	Eagle,Oxy/F2,no probe .....	2,550.00
72-5200-21	Eagle,CO/HCN .....	2,550.00
72-5200-22	Eagle,H2O2/HNO3,no probe .....	3,100.00
72-5200-23	Eagle,I2/NH3 .....	3,100.00
72-5200-24	Eagle,HF/CL2(ES-K239B),no probe .....	3,100.00
72-5200-25	Eagle,HF/HI (no probe) .....	3,100.00
72-5200-27	Eagle,NO2/N2H4.....	3,100.00
72-5200-28	Eagle,Oxy/CO(0 - 300 ppm CO),w/H2 compensated CO sensor .....	2,600.00
72-5200-29	Eagle,LEL/I2.....	2,500.00
72-5200-30	Eagle,H2O2/NH3,no probe .....	3,000.00
72-5200-31	Eagle,CH4 IR(LEL/%Volume Autoranging)/HCl, no probe .....	3,150.00
72-5200-32	Eagle,HC IR(LEL/30 %Volume Autoranging)/HCl, no probe .....	3,150.00
72-5200-34	Eagle,Oxygen/H2O2,no probe .....	2,550.00
72-5200-35	Eagle,HNO3/NO2 .....	3,100.00
72-5200RK-01	Eagle,O3/HF,no probe .....	3,100.00
72-5200RK-02	Eagle,Cl2/AsH3,w/internal G-92 filter .....	3,100.00
72-5200RK-03	Eagle,HF/PH3,no probe .....	3,100.00
72-5200RK-04	Eagle,H2S/HF (no probe) .....	2,550.00
72-5200RK-05	Eagle,NO2/NH3 .....	3,100.00
72-5200RK-06	Eagle,LEL(ppm)/GeH4 .....	2,550.00
72-5200RK-07	Eagle,H2S/O3,no probe .....	2,550.00
72-5201RK-TR1	EAGLE for H2 (0 - 5%) / O2, for transformer gas testing, with sample bag & dilution fitting .....	2,125.00
72-5201RK-TRB	EAGLE for H2 (0 - 5%) / O2, for transformer gas testing, with 2 pumps .....	2,500.00
72-5206RK	EAGLE for O2 / B2H6 .....	2,550.00
72-5207RK	Eagle,NO/NH3.....	3,100.00
72-5208RK	EAGLE for HCl / PH3 (with HCl filter) .....	3,100.00
72-5209RK	EAGLE for CO / Cl2 .....	2,550.00
72-5210RK	EAGLE for LEL & PPM / NH3 .....	2,550.00
72-5211RK	EAGLE for Cl2 / NH3 .....	3,100.00
72-5212RK	EAGLE for NH3 / SiH4 .....	3,100.00
72-5213RK	EAGLE for Cl2 / SiH4 .....	3,100.00
72-5214RK	EAGLE for O2 / PH3, 0 - 1.00 ppm .....	2,550.00
72-5215RK	EAGLE for NH3 / PH3 .....	3,100.00
72-5216RK	Eagle,B2H6/HCN.....	3,100.00
72-5217RK	Eagle,LEL/Br2 .....	2,550.00
72-5218RK	EAGLE for HCl / SiH4 .....	3,100.00
72-5219RK	EAGLE for HBr / HCl, (HBr sensor also responds to HCl) .....	3,100.00
72-5220RK	EAGLE for O2 / Cl2 .....	2,550.00
72-5221RK	EAGLE for HCl (ES-23E) / B2H6 .....	3,100.00
72-5227RK	EAGLE for AsH3 0 - 1.00 ppm/ HF (no probe) .....	3,000.00
72-5227RKS	EAGLE for AsH3 0 - 0.200 ppm / HF (no probe) .....	3,100.00
72-5228RK	EAGLE for NO / NO2 .....	3,100.00
72-5229RK	EAGLE for SO2 / Cl2 (E3-23AH-D-CL2) .....	3,100.00

# Numerical Index

<b>Part#</b>	<b>Description</b>	<b>Suggested Retail</b>
72-5230RK	EAGLE for HF / SiH4 (no probe) .....	3,100.00
72-5231RK	EAGLE for O2 / NO .....	2,550.00
72-5232RK	EAGLE for HF / HCN (no probe) .....	3,100.00
72-5233RK	EAGLE for O3 / HCl (no probe) .....	3,100.00
72-5239RK-23AH	Eagle,B2H6/SiH4(ES-23AH) .....	3,100.00
72-5240RK	EAGLE for HCl / NH3 .....	3,100.00
72-5240RK-23E	EAGLE for HCl (ES-23E) NH3 .....	3,100.00
72-5241RK	EAGLE for HCl / AsH3 0 - 1.00 ppm (with HCl scrubber) .....	3,100.00
72-5241RKS	EAGLE for HCl / AsH3 0 - 0.200 ppm (with HCl scrubber) .....	3,100.00
72-5242RK	EAGLE for HCl / NO2 .....	3,100.00
72-5244RK	EAGLE for SO2 / NO2 .....	3,100.00
72-5246RK	EAGLE for LEL & PPM / F2, (no probe) .....	2,550.00
72-5247RK	EAGLE for Hydrogen Iodide (HI) / Iodine (I2).....	3,100.00
72-5248RK	EAGLE for CO / PH3.....	2,550.00
72-5250RK	EAGLE for HF / HBr (no probe) .....	3,100.00
72-5251RK	EAGLE for LEL & PPM / O3 (no probe) .....	2,550.00
72-5252RK-01	EAGLE for O3 / CO2 (5,000 ppm) .....	3,150.00
72-5252RK-02	EAGLE for O3 / CO2 (0 - 10,000 ppm).....	3,150.00
72-5253RK	EAGLE for O3 / NO (no probe) .....	3,100.00
72-5255RK	EAGLE for O2 / HCl .....	2,550.00
72-5256RK	EAGLE for NH3 / O3 (no probe) .....	3,100.00
72-5257RKS	EAGLE for NH3 / AsH3 .....	3,100.00
72-5258RK	EAGLE for HCl / NO (with G92 filter) .....	3,100.00
72-5260RK	EAGLE for LEL & PPM / PH3 .....	2,550.00
72-5261RK	EAGLE for LEL & PPM / HF .....	2,550.00
72-5262RK	EAGLE for LEL & PPM / AsH3 (0 - 1.0 ppm).....	2,550.00
72-5262RKS	Eagle,LEL/AsH3(0-0.2 ppm) .....	2,550.00
72-5263RK	EAGLE for LEL & PPM / H2S (0 - 1.0 ppm) .....	3,000.00
72-5264RK	EAGLE for HF / NO (no probe), with G-92 filter .....	3,100.00
72-5266RK	EAGLE for HCl / Cl2 .....	3,100.00
72-5266RK-01	EAGLE for HCl (ES-23E) / Cl2 (ES-239B) .....	3,100.00
72-5267RK-01	EAGLE for NO / CO2 (5,000 ppm) .....	3,150.00
72-5269RK	EAGLE for O3 / NO2 (no probe) .....	3,100.00
72-5270RK	EAGLE for O2 / O3, no probe .....	2,550.00
72-5271RK	EAGLE for O2 / ClO2 (0 - 1 ppm).....	2,550.00
72-5274RK	EAGLE for HBr / Cl2 .....	3,100.00
72-5275-01	Eagle,ASH3/CO2(0-5000 ppm) .....	3,150.00
72-5275RK-03	EAGLE for ASH3 / CO2(5%).....	3,150.00
72-5276RK	EAGLE for CL2 / PH3 with internal G-92 filter .....	3,200.00
72-5278RK	EAGLE for LEL & PPM / CO (0 - 300 ppm) (H2 compensated CO sensor) .....	2,650.00
72-5281RK	Eagle,HF/B2H6,no probe .....	3,100.00
72-5282RK-23AH	Eagle,LEL(ppm)/SiH4(ES-23AH) .....	3,100.00
72-5283RK	EAGLE for CO / O3 no probe .....	2,550.00
72-5284RK	Eagle,F2/AsH3(0-1ppm),no probe .....	3,100.00
72-5285RK	Eagle,ClO2/NH3 .....	3,100.00
72-5286RK	Eagle,LEL(ppm)/NO2 .....	2,550.00
72-5287RK	EAGLE for O2 / Hydrazine (N2H4) 0 - 5 ppm .....	2,550.00
72-5288RK	EAGLE for NO2 / HCN .....	3,100.00
72-5293RK	EAGLE for F2 / HBr, (no probe) .....	3,000.00
72-5294RK	EAGLE for HF / NO2 (no probe) .....	3,100.00
72-5296RK	EAGLE for LEL & PPM / Cl2 .....	2,550.00
72-5298RK	EAGLE for LEL & PPM / Diborane (B2H6) .....	2,550.00
72-5299RK	EAGLE for Fluorine (F2) / Silane (SiH4), with G-92 filter and (no probe) .....	3,200.00
72-5300-09	Eagle,CO/HCl/HCN .....	3,450.00
72-5300-10	Eagle,LEL/CO(0-300 ppm H2 compensated)/NO .....	3,400.00
72-5300-11	Eagle,CH4(%LEL/%Vol autoranging)/Oxy/NO2.....	3,500.00
72-5300-12	Eagle,Oxy/NH3/NO.....	3,450.00
72-5300-13	Eagle,CO/HCl(ES-23E)/SO2.....	3,450.00
72-5300-14	Eagle,LEL/HF/NH3,no probe .....	3,450.00
72-5300-15-02	Eagle,LEL/O3/CO2(0-10,000 ppm) (no probe) .....	3,500.00
72-5300-16-01	Eagle,CO/HF/CO2(0-5,000 ppm),no probe .....	3,500.00

# Numerical Index

Part#	Description	Suggested Retail
72-5300-17	Eagle,LEL/SIH4(ES-23AH)/NH3 .....	3,450.00
72-5300-18	Eagle,LEL/OXY/B2H6 .....	2,850.00
72-5300-19	Eagle,LEL/H2O2/NH3 .....	3,450.00
72-5300-20	Eagle,Oxy/HF/NH3,no probe .....	3,450.00
72-5300-21	Eagle,LEL/CL2/SiH4 .....	3,450.00
72-5300-22	Eagle,LEL/Oxy/Br2 .....	2,800.00
72-5300-23	Eagle,Oxy/O3/CO2(0-5%),no probe .....	3,350.00
72-5300-24	Eagle,OXY/CO/HCN .....	2,850.00
72-5300-25	Eagle,CO/HF/HCN,no probe .....	3,450.00
72-5300RK-01	Eagle,LEL/HCL/PH3.....	3,450.00
72-5300RK-02	Eagle,Oxy/NH3/N2H4.....	3,450.00
72-5300RK-04	Eagle,LEL/HCL/NH3 .....	3,450.00
72-5300RK-05	Eagle,LEL/Oxy/H2Se,no probe .....	2,850.00
72-5300RK-06	Eagle,LEL/HBr/CL2 .....	3,450.00
72-5300RK-08-03	Eagle,LEL/CIO2/CO2(0-5%) .....	3,500.00
72-5303RK	EAGLE for CO / NH3 / PH3 .....	3,450.00
72-5304RK	EAGLE for LEL & PPM / O2 / AsH3,0 - 1.00 ppm .....	2,850.00
72-5304RKS	EAGLE for LEL & PPM / O2 / AsH3,0 - 0.200 ppm .....	2,850.00
72-5304RKS-01	EAGLE for LEL / O2 / AsH3 (0 - 0.2 ppm), w/external G-92 filter .....	2,950.00
72-5305RK	EAGLE for LEL & PPM / O2 / PH3 .....	2,850.00
72-5306RK	EAGLE for LEL & PPM / O2 / O3 (no probe) .....	2,850.00
72-5308RK	EAGLE for LEL & PPM / O2 / Cl2 .....	2,850.00
72-5309RK	EAGLE for LEL & PPM / NO / SO2 .....	3,450.00
72-5310RK	EAGLE for LEL & PPM / O2 / HF (no probe) .....	2,850.00
72-5311-ID	Eagle,LEL/OXY/HCl w/internal LEL dilution .....	2,950.00
72-5311RK	EAGLE for LEL & PPM / O2 / HCl .....	2,850.00
72-5312RK	EAGLE for O2 / CO / NO2 .....	2,850.00
72-5313RK	EAGLE for LEL & PPM / Cl2 / PH3 .....	3,450.00
72-5314RK	EAGLE for LEL / HF / NO2, no probe .....	3,450.00
72-5319RK	EAGLE for LEL & PPM / CO / O3 (no probe) .....	2,850.00
72-5320RK	EAGLE for LEL & PPM / O2 / HCN .....	2,850.00
72-5321RK	Eagle,LEL/HF/CL2(ES-K239B),no probe .....	3,450.00
72-5323RK	EAGLE for LEL & PPM / CO / HCl .....	2,850.00
72-5324RK	Eagle,LEL/CO/HF,no probe.....	2,850.00
72-5331RK	EAGLE for LEL & PPM / NO2 / SO2 .....	3,450.00
72-5333RK	EAGLE for LEL / Silane (ES-23AH) / HCL (ES-23E) .....	3,450.00
72-5334RK	EAGLE for LEL & PPM / O2 / NO2 .....	2,850.00
72-5336RK	EAGLE for LEL & PPM / O2 / CH3COOH (acetic acid) .....	2,850.00
72-5339RK	EAGLE for O2 / HCl / HBr (no probe. HBr sensor also responds to HCl) .....	3,450.00
72-5341RK	EAGLE for LEL & PPM / Cl2 / NH3 .....	3,450.00
72-5342RK	EAGLE for CO / Cl2 / NH3 .....	3,450.00
72-5344RKS	EAGLE for LEL & PPM / Cl2 / AsH3 .....	3,450.00
72-5345RK	EAGLE for LEL & PPM / O2 / SiH4 (23AH) .....	2,850.00
72-5346RK-02	EAGLE for NO / CO / CO2 (10,000 ppm).....	3,500.00
72-5348RK	EAGLE for CH4 (100% LEL / 100% volume (IR) autoranging) / O2 / HF (no probe) .....	3,500.00
72-5349RKS	EAGLE for LEL & PPM / NH3 / AsH3 (0 - 0.2 ppm) .....	3,450.00
72-5350RK	EAGLE for LEL / HF / Si2H6, no probe .....	3,450.00
72-5352RK	EAGLE for CO / O3 / NO2 (no probe) .....	3,450.00
72-5358RK	EAGLE for O2 / HF / O3, (no probe) .....	3,450.00
72-5361RK	EAGLE for O2 / CO / O3 .....	2,850.00
72-5362RK	EAGLE for CO / SO2 (with ES-23E sensor) / NO2, no H2S scrubber .....	3,450.00
72-5367RK	EAGLE for LEL & PPM / O2 / CO (0 - 300 ppm) with H2 compensation.....	2,850.00
72-5368RK	EAGLE for O2 / NO2 / SO2 (0 - 15 ppm, ES-23E sensor).....	3,450.00
72-5370RK	EAGLE for LEL & PPM / HCl / Cl2.....	3,450.00
72-5372RK	EAGLE for O2 / HCl / SiH4 .....	3,450.00
72-5373RK-03	EAGLE for LEL & AsH3 (0 - 1 ppm) / CO2 (0 - 5%) .....	3,500.00
72-5376RK	EAGLE for LEL & PPM / B2H6 / PH3 .....	3,450.00
72-5377RK-02	EAGLE for CO / NO2 / CO2 (0 - 10,000 ppm) .....	3,500.00
72-5380RK-01	EAGLE for O2 / HF / AsH3 (0 - 2.0 ppm), (no probe) .....	3,450.00
72-5380RKS	EAGLE for O2 / HF / AsH3 (0 - 0.2 ppm), with external G-92 filter and (no probe) .....	3,500.00
72-5382RK	EAGLE for H2S / HCl / NH3 .....	3,450.00

# Numerical Index

Part#	Description	Suggested Retail
72-5383RK	EAGLE for O2 / O3 / NH3 .....	3,450.00
72-5385RK	EAGLE for LEL & PPM / B2H6 / SiH4 .....	3,450.00
72-5386RKS	EAGLE for LEL & PPM / HF / AsH3 (0 - 0.2 ppm) .....	3,450.00
72-5387RK-05	EAGLE for LEL & PPM / O2 / ClO2 (0 - 5.00 ppm) .....	2,850.00
72-5388RK	EAGLE for HC (100% LEL / 30% volume (IR) autoranging) / O2 / Cl2 .....	3,500.00
72-5390RK	EAGLE for CH4 (100% LEL / 100% volume (IR) autoranging) / O2 / HCl .....	3,500.00
72-5391RK	EAGLE for LEL & PPM / CO / Cl2 .....	2,850.00
72-5392RK	EAGLE for O2 / H2S / HCl .....	2,850.00
72-5393RK-03	EAGLE for O2 / NO2 / CO2 (0 - 5%).....	3,500.00
72-5394RK	Eagle,LEL & ppm/SO2(0-15 ppm)/CO(0-300 ppm),w/ES-23E SO2 and H2 compensated CO sensors ...	3,450.00
72-5395RK	EAGLE for LEL / PH3 / NH3 .....	3,450.00
72-5396RK	Eagle,LEL/O3/NO2,no probe .....	3,450.00
72-5400-01-23E	EAGLE for LEL / O2 / HCL (ES-23E) / B2H6 .....	3,600.00
72-5400-13	Eagle,LEL/Oxy/CO/HCL,w/H2 compensated CO .....	3,600.00
72-5400-14-23E	Eagle,LEL/CO/NO2/SO2(0-15 ppm, ES-23E), w/external H2S scrubber .....	3,700.00
72-5400-15	Eagle,LEL/Oxy/CO(0-300 ppm H2 compensated)/NH3 .....	3,600.00
72-5400-16-CAT	Eagle,CH4(IR %LEL)/Oxy/H2S/CO(H2 compensated) .....	3,600.00
72-5400-18	Eagle,LEL(ppm)/Oxygen/B2H6/SiH4(ES-23AH).....	3,600.00
72-5400-19	Eagle,LEL/CO/NH3/CL2 .....	3,600.00
72-5400-20	Eagle,LEL/OXY/CL2/Silane .....	3,600.00
72-5400RK-02	Eagle,LEL/Oxy/CO(0-300 ppm H2 compensated)/Cl2 .....	3,600.00
72-5400RK-04-02	Eagle,LEL/OXY/NO/CO2 (0-10K ppm) .....	3,650.00
72-5400RK-05	Eagle,LEL/Oxy/H2Se/NH3,no probe .....	3,600.00
72-5400RK-06	Eagle,LEL/OXY/H2S/HCL .....	2,950.00
72-5400RK-08-01	Eagle,LEL/H2S/O3/CO2(0-5,000 ppm) (no probe).....	3,650.00
72-5400RK-10-01	Eagle,LEL/Oxygen/H2S/CO(H2 comp),w/2 pumps,NiCd batteries/115 VAC charger,datalog PCB .....	3,495.00
72-5400RK-11	Eagle,LEL/Oxygen/H2S/CO(H2 comp),w/internal dilution .....	3,050.00
72-5400RK-12-03	Eagle,Oxy/CO/F2/CO2(0-5%) (no probe) .....	3,650.00
72-5401RK-01	EAGLE for LEL / O2 / HS (0 - 1 ppm) / CO .....	2,950.00
72-5404RK	EAGLE for LEL & PPM / O2 / H2S / Cl2 .....	3,000.00
72-5405RK	EAGLE for LEL & PPM / O2 / CO / Cl2 .....	3,000.00
72-5406RK	EAGLE for LEL & PPM / O2 / Cl2 / NH3 .....	3,600.00
72-5407RK	EAGLE for O2 / CO / Cl2 / NH3 .....	3,600.00
72-5408RK	EAGLE for LEL & PPM / O2 / PH3 / NH3 .....	3,600.00
72-5409RK	EAGLE for LEL & PPM / O2 / O3 / HNO3 (no probe) .....	3,600.00
72-5410RK	EAGLE for LEL & PPM / O2 / H2S / NH3 .....	2,950.00
72-5413RK	EAGLE for LEL & PPM / O2 / AsH3 / HF (no probe).....	3,600.00
72-5414RK	EAGLE for LEL & PPM / O2 / CO / NO2 .....	2,950.00
72-5415RK	EAGLE for LEL & PPM / O2 / CO / NO (with scrubber for NO sensor) .....	3,000.00
72-5417RK	EAGLE for LEL & PPM / O2 / CO / HF (no probe) .....	3,000.00
72-5418RK	EAGLE for LEL & PPM / O2 / CO / O3 (no probe) .....	2,950.00
72-5419RK	EAGLE for LEL & PPM / O2 / Cl2 / PH3 .....	3,600.00
72-5420RK	EAGLE for LEL & PPM / O2 / HF / NH3 (no probe) .....	3,600.00
72-5421RK	EAGLE for LEL & PPM / O2 / CO / HCl .....	2,950.00
72-5422RK	EAGLE for LEL & PPM / O2 / Cl2 / SO2 (E3-23AH-CL2) .....	3,600.00
72-5423RK	EAGLE for LEL & PPM / CO / H2S / NO (with scrubber for NO sensor) .....	3,050.00
72-5424RK	EAGLE for LEL & PPM / O2 / HCl / SiH4 .....	3,600.00
72-5425RK	EAGLE for LEL & PPM / O2 / NH3 / NO2 .....	3,600.00
72-5426RK	EAGLE for O2 / H2S / HCl / NH3 .....	3,600.00
72-5427RK	EAGLE for LEL & PPM / O2 / CO / PH3 .....	2,950.00
72-5429RK	EAGLE for LEL & PPM / O2 / HCl / NH3 .....	3,600.00
72-5430RK-05	Eagle,LEL/OXY/NO2/CO2(0-60%) .....	3,650.00
72-5431RK	Eagle,LEL/CO/NO/NO2 .....	3,600.00
72-5432RK	EAGLE for LEL & PPM / O2 / O3 / Cl2 (no probe), (O3 & Cl2 cross interference) .....	3,600.00
72-5433RK	EAGLE for LEL & PPM / O2 / NH3 / SiH4 .....	3,600.00
72-5435RK	EAGLE for LEL & PPM / O2 / O3 / HCl (no probe) (O3 & HCl cross interference) .....	3,600.00
72-5436RK	EAGLE for LEL & PPM / CO / NH3 / HF (no probe) .....	3,600.00
72-5437RK	Eagle,LEL/OXY/B2H6(0-0.3 ppm)/NH3 .....	3,600.00
72-5440RK	EAGLE for LEL & PPM / O2 / HCl / PH3 .....	3,600.00
72-5443RK	EAGLE for LEL & PPM / O2 / H2S / HF (no probe) .....	2,950.00
72-5444RK	EAGLE for O2 / CO / NO2 / HCN .....	3,600.00



# Numerical Index

Part#	Description	Suggested Retail
72-5445RK	EAGLE for LEL & PPM O2 / CO / HF / NH3 (no probe)	3,600.00
72-5446RK-01	EAGLE for LEL / O2 / HCl / CO2 (5,000 ppm)	3,650.00
72-5447RK-02	EAGLE for LEL / O2 / Cl2 / CO2 (10,000 ppm)	3,650.00
72-5447RK-03	EAGLE for LEL / O2 / Cl2 / CO2 (5%)	3,650.00
72-5449RK	EAGLE for LEL & PPM / O2 / HCl / HCN	3,600.00
72-5456RK	EAGLE for LEL / O2 / CO / B2H6	2,950.00
72-5457RK	EAGLE,CH4(TC %volume)/Oxy/H2S/CO	3,600.00
72-5458RK	EAGLE for LEL & PPM / O2 / H2S / O3 (no probe)	2,950.00
72-5460RK-03	EAGLE for O2 / CO / NO2 / CO2 (0 - 5%), w/std inlet ftg	3,650.00
72-5461RK	EAGLE for LEL & PPM / O2 / HCl / AsH3 (0 - 1.0 ppm)	3,600.00
72-5461RKS	EAGLE for LEL & PPM / O2 / HCl / AsH3 (0 - 0.2 ppm)	3,600.00
72-5462RK	EAGLE for LEL & PPM / O2 / NO / HCl	3,600.00
72-5465RK	EAGLE for LEL & PPM / O2 / HF / SiH4 (no probe)	3,650.00
72-5466RK	EAGLE for LEL & PPM / O2 / SiH4 / NO2	3,600.00
72-5467RK	EAGLE for LEL & PPM / O2 / B2H6 / F2 (no probe)	3,600.00
72-5470RK	EAGLE for LEL & PPM / O2 / AsH3 / SO2	3,600.00
72-5471RK-01	EAGLE for LEL & PPM / O2 / PH3 / SiH4 with ES-23AH sensor	3,600.00
72-5473RK	EAGLE for LEL & PPM / O2 / CO / ClO2	2,950.00
72-5475RK	EAGLE for LEL & PPM / O2 / H2S / NO (with H2S scrubber)	2,950.00
72-5476RK	EAGLE for LEL & PPM / O2 / SO2 (0 - 15 ppm) / NO2,with H2S scrubber	3,600.00
72-5477RK-01	EAGLE for LEL / O2 / O3 / CO2 (0 - 5,000 ppm), (no probe)	3,650.00
72-5477RK-03	EAGLE for LEL / O2 / O3 / CO2 (0 - 5%), (no probe)	3,650.00
72-5478RK	EAGLE for LEL & PPM / O2 / CO / H2S, with H2 compensated CO sensor	2,950.00
72-5478RK-11	Eagle,LEL(H2)/Oxy/CO/H2S,w/H2 comp CO,w/internal LEL dilution	3,050.00
72-5479RK	EAGLE for LEL / % volume CH4 (IR autoranging) / O2 / CO / O3	3,650.00
72-5480RK	EAGLE for LEL & PPM / O2 / B2H6 / NO2 (no probe)	3,600.00
72-5481RK	EAGLE for LEL & PPM / O2 / HF / NO (no probe), with external G-92 filter	3,700.00
72-5482RK	EAGLE for CO / H2S / Cl2 / NH3	3,600.00
72-5483RK	EAGLE for LEL & PPM / CO / O3 / NO2 (no probe)	3,600.00
72-5485RK	EAGLE for LEL / O2 / CO / AsH3 (0 - 1 ppm)	2,950.00
72-5485RKS	EAGLE for LEL & PPM / O2 / CO / AsH3 (0 - 2 ppm)	2,950.00
72-5486RKS	EAGLE for LEL & PPM / O2 / Cl2 / AsH3 (0 - 0.2 ppm), with external G-92 filter	3,700.00
72-5488RK	EAGLE for LEL & PPM / O2 / HCN / PH3, with external G-92 filter	3,700.00
72-5490RK	EAGLE for CH4 (100% LEL / 100% volume (IR) autoranging) / O2 / CO / AsH3 (0 - 1 ppm), with external G-92 filter	3,750.00
72-5491RK-01	EAGLE for LEL / O2 / ClO2 / CO2 (0 - 5,000 ppm)	3,650.00
72-5495RK	EAGLE for LEL & PPM / O2 / F2 / SiH4 with external G-92 filter (no probe)	3,700.00
72-5496RK	EAGLE for LEL & PPM (catalytic) / 100% volume CH4 (IR sensor) / O2 / CO (H2 compensated)	3,750.00
72-5497RK	EAGLE for LEL & PPM / O2 / HCl (ES-23E sensor) / Cl2 (ES-239B sensor)	3,600.00
72-5498RKS	EAGLE for LEL & PPM / O2 / O3 / ASH3 (0 - 0.2 ppm) with external G-92 filter	3,700.00
72-5499RKS	EAGLE for LEL & PPM / O2 / ASH3 (0 - 0.2 ppm) / NH3	3,550.00
72-5502RK	EAGLE for LEL & PPM / O2 / CO / H2S / Cl2	3,100.00
72-5506RK	EAGLE for LEL & PPM / O2 / CO / Cl2 / NH3	3,850.00
72-5508RK	EAGLE for LEL & PPM / O2 / CO / H2S / HCl	3,100.00
72-5509RK	EAGLE for LEL & PPM / O2 / CO / H2S / O3 (no probe)	3,100.00
72-5510RK	EAGLE for LEL / O2 / CO / NO / SO2, 3-gas blk	3,850.00
72-5512RK	EAGLE for LEL & PPM / O2 / H2S / HF / NH3 (no probe)	3,850.00
72-5513RK-01	EAGLE for LEL / O2 / CO / NO2 / CO2 (5,000 ppm)	3,900.00
72-5513RK-02	EAGLE for LEL / O2 / CO / NO2 / CO2 (10,000 ppm)	3,900.00
72-5513RK-03	EAGLE for LEL / O2 / CO / NO2 / CO2 (5%)	3,900.00
72-5514RK	EAGLE for LEL & PPM / O2 / CO / HCl / NH3	3,850.00
72-5515RK	EAGLE for LEL & PPM / O2 / CO / HCl / AsH3 (0 - 1.0 ppm)	3,850.00
72-5515RKS	EAGLE for LEL & PPM / O2 / CO / HCl / AsH3 (0 - 0.2 ppm)	3,850.00
72-5518RK	EAGLE for LEL & PPM / O2 / CO / HCN / AsH3 (0 - 1.0 ppm)	3,850.00
72-5520RK-03	EAGLE for LEL / O2 / CO / CO2 (0 - 5%) / NH3	3,900.00
72-5521RK-03	EAGLE for LEL / O2 / CO / CO2 (0 - 5%) / PH3	3,900.00
72-5523RK-01	EAGLE for LEL / O2 / H2S / CO2 (0 - 5,000 ppm) / NH3	3,900.00
72-5523RK-02	EAGLE for LEL / O2 / H2S / CO2 (0 - 10,000 ppm) / NH3	3,900.00
72-5524RK	EAGLE for LEL & PPM / O2 / CO / HCl / PH3	3,850.00
72-5525RK	EAGLE for LEL & PPM / O2 / CO / H2S / HF (no probe)	3,100.00
72-5526RK	EAGLE for LEL & PPM / O2 / H2S / NH3 / Cl2 (E3-23AH-CL2)	3,850.00

# Numerical Index

Part#	Description	Suggested Retail
72-5526RK-01	EAGLE for LEL / O2 / H2S / NH3 / Cl2 (K233) .....	3,850.00
72-5527RK-02	EAGLE for LEL / O2 / CO / CL2 / CO2 (0 - 10,000 ppm) .....	3,900.00
72-5527RK-03	EAGLE for LEL / O2 / CO / CL2 / CO2 (0 - 5,000 ppm) .....	3,900.00
72-5528RK	EAGLE for LEL & PPM / O2 / CO / NH3 / PH3 .....	3,850.00
72-5529RK	EAGLE for LEL & PPM / O2 / CO / H2S / F2 (no probe) .....	3,100.00
72-5531RK	EAGLE for O2 / CO / H2S / HF / NH3 (no probe) .....	3,850.00
72-5532RK	EAGLE for LEL & PPM / O2 / CO / NO2 / HF (no probe) .....	3,850.00
72-5534RK-02	EAGLE for LEL & PPM / O2 / CO / AsH3 / CO2 (10,000 ppm) .....	3,900.00
72-5535RK	EAGLE for LEL & PPM / O2 / CO / O3 / HCN (no probe) .....	3,850.00
72-5536RK	EAGLE for LEL & PPM / O2 / CO / HF / NH3, (no probe) .....	3,850.00
72-5539RK	EAGLE for LEL & PPM / O2 / CO / Cl2 / SiH4 .....	3,850.00
72-5540RKS	EAGLE for LEL & PPM / O2 / CO / AsH3 (0 - 0.2 ppm) / NH3 .....	3,850.00
72-5541RK	EAGLE for LEL & PPM / O2 / CO / HCl / B2H6 .....	3,850.00
72-5542RK	EAGLE for LEL & PPM / O2 / CO / HF / HCN (no probe) .....	3,850.00
72-5543RK	EAGLE for LEL & PPM / O2 / CO / HCl / SO2 with external H2S scrubber .....	4,000.00
72-5544RK	EAGLE for LEL & PPM / O2 / CO / NO2 / SO2 (ES-23E sensor) with external H2S scrubber .....	4,000.00
72-5545RK	EAGLE for LEL & PPM / O2 / CO / O3 / NO2 (no probe) .....	3,950.00
72-5546RK	EAGLE for LEL & PPM / O2 / CO / HBr / Br2 .....	3,850.00
72-5547	Eagle,LEL/Oxy/CO/CLF3/NH3,no probe .....	3,850.00
72-5549RK	EAGLE for LEL & PPM / O2 / H2S / O3 / HNO3 (no probe) .....	3,850.00
72-5550RK	EAGLE for LEL / O2 / CO Cl2 / PH3, w/external G-92 .....	3,950.00
72-5552RK	EAGLE for LEL & PPM / O2 / CO / HF / GeH4 (no probe) .....	3,850.00
72-5553RK-02	Eagle,LEL/Oxy/CO/NO/CO2(0-10,000 ppm),w/3-gas block & internal charcoal/purafil scrubber .....	3,900.00
72-5554RK-03	Eagle,LEL/Oxy/CO/H2S(0-1.00 ppm)/CO2(0-5%) .....	3,900.00
72-5555RK	Eagle,LEL/Oxy/CO/HCL(ES-23E)/CL2(ES-K233) .....	3,850.00
72-5556RK	Eagle,LEL/H2S/CO/NH3/NO2,w/external H2S scrubber .....	4,000.00
72-5558RK	Eagle,LEL/Oxy/CO/O3/NH3,no probe .....	3,850.00
72-5559RK	Eagle,Oxy/H2S/CO/NH3,CL2 .....	3,850.00
72-5560	Eagle,LEL/OXY/CO/NH3/NO2 .....	3,850.00
72-5561	Eagle,LEL/OXY/H2S/CO/HNO3 .....	3,100.00
72-5562	Eagle,LEL/Oxy/H2S/CO(H2 compensated)/SO2,w/external H2S scrubber .....	4,000.00
72-5563	Eagle,LEL/Oxy/CO/HBr/SO2(ES-23E) .....	3,850.00
72-5564-03	Eagle,LEL/Oxy/CO/O3/CO2(0-5%) .....	3,900.00
72-5565	Eagle,LEL/Oxy/CO/NO/NO2,w/external puralight scrubber .....	3,750.00
72-5566S	Eagle,LEL/Oxy/CO/O3/AsH3(0-0.2 ppm),no probe .....	3,850.00
72-5567-01	Eagle,LEL/OXY/H2S/CO/CO2 (0-5,000 PPM),with H2 compensating CO sensor .....	3,750.00
72-5601RK	EAGLE for LEL & PPM / O2 / CO / H2S / Cl2 / NH3 .....	4,000.00
72-5602RK	EAGLE for LEL & PPM / O2 / CO / H2S / HCl / NH3 .....	4,000.00
72-5607RK	EAGLE for LEL & PPM / O2 / CO / H2S / HF / NH3 (no probe) .....	4,000.00
72-5612RK-02	EAGLE for LEL & PPM / O2 / CO / H2S / Cl2 / CO2 (10,000 ppm) .....	4,050.00
72-5612RK-03	EAGLE for LEL / O2 / H2S / CO / CL2 / CO2 (0 - 5%) .....	4,050.00
72-5613RK-OS	EAGLE for LEL & PPM / O2 / CO / H2S / ClO2 / SO2 (with external H2S scrubber) .....	4,100.00
72-5614RK	EAGLE for LEL & PPM / O2 / CO / H2S / HCl / NO .....	4,100.00
72-5618RK	EAGLE for LEL & PPM / O2 / CO / HS / HF / Cl2 (no probe) .....	4,000.00
72-5619RK	EAGLE for LEL & PPM / O2 / CO / H2S / HBr / NH3 .....	4,000.00
72-5620RK-03	EAGLE for LEL / O2 / H2S / CO / HCl / CO2 (0 - 5%) .....	4,050.00
72-5621RK	EAGLE for LEL & PPM / O2 / CO / H2S / Cl2 (ES-K239B sensor) / SO2 (with external H2S scrubber) .....	4,100.00
72-5624RK	EAGLE for LEL & PPM / O2 / CO / H2S / O3 / NH3 (no probe) .....	4,000.00
72-5625RK	Eagle,LEL/Oxy/H2S/CO/SO2/O3,w/ext H2S scrubber,no probe .....	4,100.00
72-6AAB-A	GX-6000,LEL/Oxy/H2S/CO/VOC(0-50K ppb 10.6eV)/VOC(0-6K ppm 10.6eV),w/alkaline battery pack ...	4,795.00
72-6AAB-C	GX-6000,LEL/O2/H2S/CO/VOC(0-50K ppb 10.6eV)/VOC(0-6K ppm 10.6eV),w/Li-ion batt pack/ 100-240 VAC chgr .....	5,045.00
72-6AAC-C	GX-6000,LEL/Oxy/H2S/CO/VOC(0-50K ppb 10.6eV)/IR CH4 autoranging,w/Li-ion batt pack/ 100-240 VAC chgr .....	4,095.00
72-6AAE-A	GX-6000,LEL/Oxy/H2S/CO/VOC(0-50K ppb 10.6eV)/IR CO2(10Kppm),w/alkaline battery pack .....	3,895.00
72-6AAE-G	GX-6000,LEL/Oxy/H2S/CO/VOC(50K ppb 10.6eV)/IR CO2(10Kppm),alk pk/Li-Ion pack/100-240 VAC/ 12VDC chgr .....	4,325.00
72-6AAF-C	GX-6000,LEL/Oxy/H2S/CO/VOC(0-50K ppb 10.6 eV)/IR CO2(0-10%),w/Li-ion pack/100-240 VAC charger	4,145.00
72-6AAF-E	GX-6000,LEL/Oxy/H2S/CO/VOC(0-50K ppb 10.6eV)/IR CO2 (0-10%),w/alk batt pk/Li-Ion batt pk/ 12 VDC chgr .....	4,305.00
72-6AAK-C	GX-6000,LEL/Oxy/H2S/CO/VOC(0-50K ppb 10.6eV)/NO2,w/Li-ion battery pack/100-240 VAC charger	3,955.00

# Numerical Index

Part#	Description	Suggested Retail
72-6AAK-CMM	GX-6000,LEL/Oxy/H2S/CO/VOC(0-50K ppb 10.6eV)/NO2,w/Li-ion batt pk/100-240 VAC chgr, GS-MM config .....	3,955.00
72-6AAL-A	GX-6000,LEL/Oxy/H2S/CO/VOC(0-50K ppb 10.6 eV)/HCN(0-15.0 ppm),w/alkaline battery pack .....	3,705.00
72-6AAL-C	GX-6000,LEL/Oxy/H2S/CO/VOC(0-50K ppb 10.6eV)/HCN,w/Li-ion battery pack/100-240 VAC charger .....	3,955.00
72-6AAM-C	GX-6000,LEL/Oxy/H2S/CO/VOC(0-50K ppb 10.6eV)/NH3,w/Li-ion battery pack/100-240 VAC charger .....	3,955.00
72-6AAP-C	GX-6000,LEL/Oxy/H2S/CO/VOC(0-50K ppb 10.6 eV)/Cl2,w/Li-ion battery pack/100-240 VAC charger ...	3,955.00
72-6AAX-A	GX-6000,LEL/Oxy/H2S/CO/VOC(0-50K ppb 10.6eV),w/alkaline battery pack .....	3,445.00
72-6AAX-B	GX-6000,LEL/Oxy/H2S/CO/VOC(0-50K ppb 10.6 eV),w/alk pack/Li-lon pack/100-240 VAC chgr .....	3,855.00
72-6AAX-C	GX-6000 for LEL / O2 / H2S / CO / VOC's (0 - 50,000 ppb PID) with Li-lon battery pack and 115 VAC charger .....	3,695.00
72-6AAX-C-51	GX-6000,LEL/Oxy/H2S/CO/VOC(0-50Kppb10.6eV),w/Li-ion batt/100-240VAC chgr/Cal kit gear w/cyl/pad case .....	4,525.00
72-6AAX-E	GX-6000,LEL/Oxy/H2S/CO/VOC(0-50K ppb 10.6eV),w/alk batt pack/Li-lon batt pack/12 VDC chgr .....	3,855.00
72-6AAZ-A	GX-6000,LEL/Oxy/H2S/CO/VOC(50k ppb 10.6 eV)/VOC(10.0 ev),w/alkaline battery pack/100-240 VAC charger .....	5,745.00
72-6ABC-A	GX-6000,LEL/Oxy/H2S/CO/VOC(0-6K ppm 10.6 eV)/IR CH4 autoranging,w/alkaline battery pack .....	3,445.00
72-6ABC-B	GX-6000,LEL/O2/HS/CO/VOC(0-6K ppm 10.6 eV)/IR CH4 autorange,alk pack/Li-lon pack/100-240 VAC chgr .....	3,855.00
72-6ABC-C	GX-6000,LEL/Oxy/H2S/CO/VOC(0-6K ppm 10.6 eV)/IR CH4 autoranging,w/Li-ion pack/100-240 VAC charger .....	3,695.00
72-6ABD-B	GX-6000,LEL/O2/HS/CO/VOC(0-6K ppm 10.6 eV)/IR HC autorange,alk pack/Li-lon pack/100-240 VAC chgr .....	3,855.00
72-6ABD-C	GX-6000,LEL/Oxy/H2S/CO/VOC(0-6K ppm 10.6 eV)/IR HC autoranging,w/Li-ion pack/100-240 VAC charger .....	3,695.00
72-6ABD-G	GX-6000,LEL/O2/HS/CO/VOC(6K ppm 10.6 eV)/IR HC autorange,alk pk/Li-lon pack/100-240 VAC & 12VDC chgr .....	3,875.00
72-6ABE-A	GX-6000,LEL/Oxy/H2S/CO/VOC(0-6K ppm 10.6 eV)/IR CO2(10Kppm),w/alkaline battery pack.....	3,495.00
72-6ABE-B	GX-6000,LEL/O2/HS/CO/VOC(0-6K ppm 10.6 eV)/IR CO2(0-10K ppm),alk pack/Li-lon pack/100-240 VAC chgr .....	3,905.00
72-6ABE-C	GX-6000,LEL/Oxy/H2S/CO/VOC(0-6K ppm 10.6 eV)/IR CO2(10Kppm),w/Li-ion pack/100-240 VAC charger .....	3,745.00
72-6ABE-G	GX-6000,LEL/O2/HS/CO/VOC(6K ppm 10.6 eV)/IR CO2(10K ppm),alk pk/Li-lon pk/100-240 VAC & 12 VDC chgr .....	3,925.00
72-6ABF-A	GX-6000,LEL/Oxy/H2S/CO/VOC(0-6K ppm 10.6 eV)/IR CO2(10%),w/alkaline battery pack .....	3,495.00
72-6ABF-B	GX-6000,LEL/O2/HS/CO/VOC(0-6K ppm 10.6 eV)/IR CO2(0-10%),alk pack/Li-lon pack/100-240 VAC chgr .....	3,905.00
72-6ABF-C	GX-6000,LEL/Oxy/H2S/CO/VOC(0-6K ppm 10.6 eV)/IR CO2(0-10%),w/Li-ion pack/100-240 VAC charger .....	3,745.00
72-6ABF-E	GX-6000,LEL/Oxy/H2S/CO/VOC(0-6K ppm 10.6 eV)/IR CO2 (0-10%),w/alk batt pk/Li-lon batt pk/12 VDC chgr.....	3,925.00
72-6ABI-A	GX-6000,LEL/Oxy/H2S/CO/VOC(0-6K ppm 10.6 eV)/SO2(0-99.90 ppm),w/alkaline battery pack .....	3,305.00
72-6ABI-B	GX-6000,LEL/O2/HS/CO/VOC(0-6K ppm 10.6 eV)/SO2(0-99.90 ppm),alk pack/Li-lon pack/100-240 VAC chgr .....	3,715.00
72-6ABI-C	GX-6000 for LEL / O2 / H2S / CO / VOC's (0 - 6,000 ppm PID) / SO2 with Li-lon battery pack and 115 VAC charger .....	3,555.00
72-6ABI-C-50	GX-6000,LEL/Oxy/H2S/CO/VOC(0-6K ppm 10.6 eV)/SO2,w/Li-ion batt/AC charger/Small padded case .....	3,665.00
72-6ABI-H	GX-6000,LEL/Oxy/H2S/CO/VOC(0-6K ppm 10.6 eV)/SO2(0-99.90 ppm),w/Li-ion battery pack/no charger .....	3,430.00
72-6ABK-B	GX-6000,LEL/O2/HS/CO/VOC(0-6K ppm 10.6 eV)/NO2(0-20.00 ppm),alk pack/Li-lon pack/100-240 VAC chgr .....	3,715.00
72-6ABK-C	GX-6000 for LEL / O2 / H2S / CO / VOC's (0 - 6,000 ppm PID) / NO2 with Li-lon battery pack and 115 VAC charger .....	3,555.00
72-6ABL-A	GX-6000,LEL/Oxy/H2S/CO/VOC(0-6K ppm 10.6 eV)/HCN,w/alkaline battery pack.....	3,305.00
72-6ABL-B	GX-6000,LEL/Oxy/H2S/CO/VOC(0-6K ppm 10.6 eV)/HCN,w/alk and Li-ion bat pack/100-240 VAC charger .....	3,715.00
72-6ABL-C	GX-6000 for LEL / O2 / H2S / CO / VOC's (0 - 6,000 ppm PID) / HCN with Li-lon battery pack and 115 VAC charger .....	3,555.00
72-6ABM-A	GX-6000,LEL/Oxy/H2S/CO/VOC(0-6K ppm 10.6 eV)/NH3(0-400 ppm),w/alkaline battery pack .....	3,305.00
72-6ABM-B	GX-6000,LEL/O2/HS/CO/VOC(0-6K ppm 10.6 eV)/NH3,with alkaline pack/Li-lon pack/100-240 VAC chgr .....	3,715.00

# Numerical Index

Part#	Description	Suggested Retail
72-6ABM-C	GX-6000,LEL/Oxy/H2S/CO/VOC(6K ppm 10.6 eV)/NH3(400 pp),w/Li-ion battery pack/ 100-240 VAC charger .....	3,555.00
72-6ABP-A	GX-6000,LEL/Oxy/H2S/CO/VOC(0-6K ppm 10.6 eV)/Cl2(0-10 ppm),w/alkaline battery pack .....	3,305.00
72-6ABP-B	GX-6000,LEL/Oxy/H2S/CO/VOC(0-6K ppm 10.6 eV)/Cl2,w/alk and Li-ion bat pack/ 100-240 VAC charger .....	3,715.00
72-6ABP-C	GX-6000,LEL/Oxy/H2S/CO/VOC(0-6K ppm 10.6 eV)/CL2,w/Li-ion battery pack/100-240 VAC charger ...	3,555.00
72-6ABX-A	GX-6000 for LEL / O2 / H2S / CO / VOC's (0 - 6,000 ppm PID) with alkaline battery pack .....	3,045.00
72-6ABX-B	GX-6000,LEL/Oxy/H2S/CO/VOC(0-6K ppm 10.6 eV),w/alk batt pack/Li-Ion batt pack/ 100-240 VAC charger .....	3,455.00
72-6ABX-B-AA	GX-6000,LEL/Oxy/H2S/CO/VOC(0-6Kppm 10.6 eV),w/alk batt pack/Li-Ion batt/100-240 VAC chgr, AA settings .....	3,455.00
72-6ABX-C	GX-6000 for LEL / O2 / H2S / CO / VOC's (0 - 6,000 ppm PID) with Li-Ion battery pack and 115 VAC charger .....	3,295.00
72-6ABX-C-05	GX-6000,LEL/Oxy/H2S/CO/VOC(0-6K ppm 10.6 eV),w/Li-ion batt pack/100-240 VAC charger/5 ft hose	3,295.00
72-6ABX-C-50	GX-6000 for LEL / O2 / H2S / CO / VOC's (0 - 6,000 ppm PID) with Li-Ion battery pack, 115 VAC charger, and padded carrying case .....	3,405.00
72-6ABX-C-51	GX-6000 for LEL / O2 / H2S / CO / VOC's (0 - 6,000 ppm PID) with Li-Ion battery pack, 115 VAC charger, 34AL cylinder isobutylene/CH4/O2/CO/H2S, demand flow regulator, tubing, and padded carrying case .....	3,970.00
72-6ABX-C-52	GX-6000,LEL/Oxy/H2S/CO/VOC(0-6K ppm 10.6 eV),w/Li-ion batt/AC chgr/cal kit gear/padded case, no cyl .....	3,740.00
72-6ABX-C-53	GX-6000 for LEL / O2 / H2S / CO / VOC's (0 - 6,000 ppm PID) with Li-Ion battery pack, 115 VAC charger, tubing, and padded carrying case for instrument and cylinders .....	3,460.00
72-6ABX-E	GX-6000,LEL/Oxy/H2S/CO/VOC(0-6K ppm 10.6eV),w/alk batt pack/Li-Ion batt pack/12 VDC chgr .....	3,455.00
72-6ABX-F	GX-6000,LEL/Oxy/H2S/CO/VOC(6K ppm 10.6 eV),Li-ion batt pack/100-240 VAC & 12 VDC charger .....	3,315.00
72-6ABX-G	GX-6000,LEL/Oxy/H2S/CO/VOC(6K ppm 10.6 eV),w/alk & Li-ion batt packs/100-240 VAC & 12 VDC charger .....	3,475.00
72-6ABX-H	GX-6000,LEL/Oxy/H2S/CO/VOC(0-6K ppm 10.6 eV),w/Li-ion battery pack/no charger .....	3,170.00
72-6ACD-B	GX-6000,LEL/O2/H2S/CO/IR CH4 autoranging/IR HC autoranging,w/alk/Li-ion batt packs/ 100-240 VAC chgr .....	2,905.00
72-6ACE-A	GX-6000,LEL/Oxy/H2S/CO/IR CH4/CO2(0-10000 ppm),w/alkaline battery pack .....	2,545.00
72-6ACE-C	GX-6000,LEL/Oxy/H2S/CO/IR CH4 autoranging/CO2(0-10000 ppm),w/Li-ion battery pack/ 100-240 VAC charger .....	2,795.00
72-6ACI-B	GX-6000,LEL/Oxy/H2S/CO/IR CH4 autoranging/SO2,w/alkaline & Li-ion battery packs/ 100-240 VAC charger .....	2,765.00
72-6ACX-A	GX-6000,LEL/Oxy/H2S/CO/IR CH4 autoranging,w/alkaline battery pack .....	2,095.00
72-6ACX-B	GX-6000,LEL/O2/H2S/CO/IR CH4 autoranging,w/alk/Li-ion batt packs/100-240 VAC chgr .....	2,505.00
72-6ACX-C	GX-6000,LEL/Oxy/H2S/CO/IR CH4 autorange,w/Li-ion battery pack/100-240 VAC charger .....	2,345.00
72-6ACX-F	GX-6000,LEL/Oxy/H2S/CO/IR CH4 autorange,Li-Ion batt pack,100-240 VAC/12 VDC chgr .....	2,365.00
72-6ACX-G	GX-6000,LEL/Oxy/H2S/CO/IR CH4 autoranging,w/alk & Li-ion batt packs/100-240 VAC & 12 VDC charger .....	2,525.00
72-6ADE-A	GX-6000,LEL/Oxy/H2S/CO/IR HC/CO2(0-10000 ppm),w/alkaline battery pack .....	2,545.00
72-6ADE-B	GX-6000,LEL/Oxy/H2S/CO/IR HC autoranging/CO2,w/alkaline & Li-ion battery packs/ 100-240 VAC charger .....	2,955.00
72-6ADF-C	GX-6000,LEL/Oxy/H2S/CO/IR HC autorange/CO2(10.00 %vo),w/Li-ion batt pack/100-240 VAC chgr ...	2,795.00
72-6ADX-C	GX-6000,LEL/Oxy/H2S/CO/IR HC autorange,w/Li-ion batt pack/100-240 VAC chgr .....	2,345.00
72-6AEF-C	GX-6000,LEL/Oxy/H2S/CO/CO2(10,000 ppm)/CO2(10%),w/Li-ion battery pack/100-240 VAC chgr .....	2,845.00
72-6AEI-C	GX-6000,LEL/Oxy/H2S/CO/CO2(10,000 ppm)/SO2(99.90 ppm),w/Li-ion battery pack/ 100-240 VAC chgr .....	2,655.00
72-6AEK-A	GX-6000,LEL/Oxy/H2S/CO/CO2(0-10000 ppm)/NO2(0-20.0 ppm),w/alkaline battery pack .....	2,405.00
72-6AEK-C	GX-6000,LEL/Oxy/H2S/CO/CO2(10,000 ppm)/NO2(20.00 ppm),w/Li-ion battery pack/ 100-240 VAC chgr .....	2,655.00
72-6AEL-F	GX-6000,LEL/Oxy/H2S/CO/CO2(10,000 ppm)/HCn(15.0 ppm),Li-Ion batt pack,100-240 VAC/ 12 VDC chgr .....	2,675.00
72-6AEM-A	GX-6000,LEL/Oxy/H2S/CO/CO2(0-10000 ppm)/NH3(0-75.0 ppm),w/alkaline battery pack .....	2,405.00
72-6AEX-A	GX-6000,LEL/Oxy/H2S/CO/CO2(0-10000 ppm),w/alkaline battery pack .....	2,145.00
72-6AEX-C	GX-6000,LEL/Oxy/H2S/CO/CO2(10,000 ppm),w/Li-ion battery pack/100-240 VAC chgr .....	2,395.00
72-6AFK-C	GX-6000,LEL/Oxy/H2S/CO/CO2(10.00 %vo)/NO2(20.00 ppm),w/Li-ion battery pack/100-240 VAC chgr	2,655.00
72-6AFL-C	GX-6000,LEL/Oxy/H2S/CO/CO2(10.00 %vo)/HCN(15.0 ppm),w/Li-ion battery pack/100-240 VAC chgr	2,655.00
72-6AFM-C	GX-6000,LEL/Oxy/H2S/CO/CO2(0-10%)/NH3(0-400ppm),w/Li-ion battery pack/100-240 VAC charger	2,655.00
72-6AFX-A	GX-6000,LEL/Oxy/H2S/CO/CO2(0-10%),w/alkaline battery pack .....	2,145.00

# Numerical Index

Part#	Description	Suggested Retail
72-6AFX-C	GX-6000,LEL/Oxy/H2S/CO/CO2(0-10%),w/Li-ion battery pack/100-240 VAC charger .....	2,395.00
72-6AFX-D	GX-6000,LEL/Oxy/H2S/CO/CO2(0-10%),w/Li-ion batt pack/12 VDC chgr .....	2,395.00
72-6AIK-B	GX-6000,LEL/Oxy/H2S/CO/SO2/NO2,w/alk batt pack/Li-ion batt pack/100-240 VAC charger .....	2,625.00
72-6AIK-C	GX-6000,LEL/Oxy/H2S/CO/SO2(0-99.90 ppm)/NO2(0-20.00 ppm),w/Li-ion battery pack/ 100-240 VAC chgr .....	2,465.00
72-6AIM-A	GX-6000,LEL/Oxy/H2S/CO/SO2(0-99.90ppm)/NH3(0-75.0 ppm),w/alkaline battery pack .....	2,215.00
72-6AIM-C	GX-6000,LEL/Oxy/H2S/CO/SO2(0-99.90 ppm)/NH3(0-400 ppm),w/Li-ion battery pack/ 100-240 VAC chgr .....	2,465.00
72-6AIX-A	GX-6000,LEL/Oxy/H2S/CO/SO2 (0-99.90 ppm),w/alkaline battery pack .....	1,955.00
72-6AIX-B	GX-6000,LEL/Oxy/H2S/CO/SO2(0-99.90 ppm),w/alk batt pack/Li-ion batt pack/100-240 VAC charger...	2,365.00
72-6AIX-C	GX-6000,LEL/Oxy/H2S/CO/SO2(0-99.90 ppm),w/Li-ion battery pack/100-240 VAC charger .....	2,205.00
72-6AIX-C-51	GX-6000,LEL/Oxy/H2S/CO/SO2,w/Li-ion batt/AC chgr/Cal kit gear w/cyl/padded case .....	2,850.00
72-6AIX-D	GX-6000,LEL/Oxy/H2S/CO/SO2(0-99.90 ppm),w/Li-ion batt pack/12 VDC chgr .....	2,205.00
72-6AKX-A	GX-6000,LEL/Oxy/H2S/CO/NO2,w/alkaline battery pack .....	1,955.00
72-6AKX-C	GX-6000,LEL/Oxy/H2S/CO/NO2 0-20.00 ppm),w/Li-ion battery pack/100-240 VAC charger .....	2,205.00
72-6ALM-A	GX-6000,LEL/Oxy/H2S/CO/HCN/NH3,w/alkaline battery pack .....	2,215.00
72-6ALM-C	GX-6000,LEL/Oxy/H2S/CO/HCN(15.0 ppm)/NH3(400 ppm),w/Li-ion battery pack/100-240 VAC charger	2,465.00
72-6ALX-A	GX-6000,LEL/Oxy/H2S/CO/HCN,w/alkaline battery pack .....	1,955.00
72-6ALX-B	GX-6000 for LEL / O2 / H2S / CO HCN with alkaline battery pack, Li-ion battery pack and 115 VAC charger .....	2,365.00
72-6ALX-C	GX-6000,LEL/Oxy/H2S/CO/HCN(0-15.0 ppm),w/Li-ion battery pack/100-240 VAC charger .....	2,205.00
72-6ALX-D	GX-6000,LEL/Oxy/H2S/CO/HCN(0-15.0 ppm),w/Li-ion batt pack/12 VDC chgr .....	2,205.00
72-6ALX-E	GX-6000,LEL/Oxy/H2S/CO/HCN(0-15.0 ppm),w/alk batt pack/Li-ion batt pack/12 VDC chgr .....	2,365.00
72-6ALX-F	GX-6000,LEL/Oxy/H2S/CO/HcN(15.0 ppm),Li-ion batt pack,100-240 VAC/12 VDC chgr.....	2,225.00
72-6ALX-G	GX-6000,LEL/Oxy/H2S/CO/HCN(0-15.0 ppm),w/alk & Li-ion batt packs/100-240 VAC & 12 VDC charger	2,385.00
72-6AME-A	GX-6000,LEL/Oxy/H2S/CO/NH3(0-75.0 ppm)/CO2(0-10000 ppm),w/alkaline battery pack .....	2,405.00
72-6AME-C	GX-6000,LEL/Oxy/H2S/CO/NH3(400 ppm)/CO2(10,000 ppm),w/Li-ion battery pack/100-240 VAC chgr	2,655.00
72-6AMF-C	GX-6000,LEL/Oxy/H2S/CO/NH3 (0-400 ppm)/CO2(0-10%),w/Li-ion battery pack/100-240 VAC charger	2,655.00
72-6AMI-A	GX-6000,LEL/Oxy/H2S/CO/NH3 (0-75.0 ppm)/SO2(0-99.90ppm),w/alkaline battery pack .....	2,215.00
72-6AMK-C	GX-6000,LEL/Oxy/H2S/CO/NH3(400 ppm)/NO2(20 ppm),w/Li-ion battery pack/100-240 VAC chgr .....	2,465.00
72-6AML-A	GX-6000,LEL/Oxy/H2S/CO/NH3/HCN,w/alkaline battery pack .....	2,215.00
72-6AML-C	GX-6000,LEL/Oxy/H2S/CO/NH3(400 ppm)/HCN(15.0 ppm),w/Li-ion battery pack/100-240 VAC charger	2,465.00
72-6AML-G	GX-6000,LEL/Oxy/H2S/CO/NH3/HCN,w/alk & Li-ion batt packs/100-240 VAC & 12 VDC charger .....	2,645.00
72-6AMX-A	GX-6000,LEL/Oxy/H2S/CO/NH3,w/alkaline battery pack .....	1,955.00
72-6AMX-B	GX-6000,LEL/Oxy/H2S/CO/NH3(0-400 ppm),w/alk batt pack/Li-ion batt pack/100-240 VAC chgr .....	2,365.00
72-6AMX-C	GX-6000,LEL/Oxy/H2S/CO/NH3(0-400 ppm),w/Li-ion battery pack/100-240 VAC charger .....	2,205.00
72-6AMX-G	GX-6000,LEL/Oxy/H2S/CO/NH3(0-400 ppm),w/alk & Li-ion batt packs/100-240 VAC & 12 VDC charger	2,385.00
72-6APE-C	GX-6000,LEL/Oxy/H2S/CO/Cl2(10.0 ppm)CO2(10,000 ppm),w/Li-ion battery pack/100-240 VAC chgr...	2,655.00
72-6API-A	GX-6000,LEL/Oxy/H2S/CO/Cl2 (0-10.0 ppm)/SO2(0-100 ppm),w/alkaline battery pack .....	2,215.00
72-6API-C	GX-6000,LEL/Oxy/H2S/CO/Cl2(0-10.0 ppm)/SO2(0-99.90 ppm),w/Li-ion battery pack/100-240 VAC chgr	2,465.00
72-6API-F	GX-6000,LEL/Oxy/H2S/CO/CL2(10.0 ppm)/SO2(99.90 ppm),Li-ion batt pack,100-240 VAC/12 VDC chgr	2,485.00
72-6APL-A	GX-6000,LEL/Oxy/H2S/CO/Cl2 (0-10.0 ppm)/HCN(0-15.0 ppm),w/alkaline battery pack .....	2,215.00
72-6APL-C	GX-6000,LEL/Oxy/H2S/CO/Cl2(0-10.0 ppm)/HCN(0-15 ppm),w/Li-ion battery pack/100-240 VAC chgr	2,465.00
72-6APM-A	GX-6000,LEL/Oxy/H2S/CO/Cl2 (0-10.0 ppm)/NH3(0-400 ppm),w/alkaline battery pack .....	2,215.00
72-6APM-B	GX-6000,LEL/Oxy/H2S/CO/Cl2/NH3,with alkaline batt pack/Li-ion batt pack/100-240 VAC chgr .....	2,625.00
72-6APM-C	GX-6000,LEL/Oxy/H2S/CO/Cl2(0-10.0 ppm)/NH3(0-400 ppm),w/Li-ion battery pack/100-240 VAC chgr	2,465.00
72-6APX-A	GX-6000,LEL/Oxy/H2S/CO/Cl2 (0-10.0 ppm),w/alkaline battery pack .....	1,995.00
72-6APX-B	GX-6000,LEL/Oxy/H2S/CO/Cl2(0-10.0 ppm),w/alk batt pack/Li-ion batt pack/100-240 VAC chgr .....	2,365.00
72-6APX-C	GX-6000,LEL/Oxy/H2S/CO/Cl2(0-10.0 ppm),w/Li-ion battery pack/100-240 VAC charger .....	2,205.00
72-6APX-F	GX-6000,LEL/Oxy/H2S/CO/CL2(10.0 ppm),Li-ion batt pack,100-240 VAC/12 VDC chgr .....	2,225.00
72-6AVX-C	GX-6000,LEL/Oxy/H2S/CO/VOC(100 ppm 10.0 eV),w/Li-ion battery pack/100-240 VAC charger .....	4,095.00
72-6AXX-A	GX-6000,LEL/Oxy/H2S/CO,w/alkaline battery pack .....	1,695.00
72-6AXX-A-51	GX-6000,LEL/Oxy/H2S/CO,w/alkaline battery pack,/34L 4-gas/DFR/tubing/case .....	2,300.00
72-6AXX-B	GX-6000,LEL/Oxy/H2S/CO,w/alkaline battery pack/Li-ion battery pack/100-240 VAC charger .....	2,105.00
72-6AXX-C	GX-6000 for LEL / O2 / H2S / CO with Li-Ion battery pack and 115 VAC charger .....	1,945.00
72-6AXX-C-05	GX-6000,LEL/Oxy/H2S/CO,w/Li-ion battery pack/100-240 VAC charger,w/5 ft hose .....	1,945.00
72-6AXX-C-05-01	GX-6000,LEL/Oxy/H2S/CO,w/Li-ion battery pack/100-240 VAC charger,w/80-0150RK probe & 5 ft hose	1,945.00
72-6AXX-C-50	GX-6000 for LEL / O2 / H2S / CO with Li-Ion battery pack, 115 VAC charger, and padded carrying case	2,055.00
72-6AXX-C-51	GX-6000 for LEL / O2 / H2S / CO with Li-Ion battery pack, 115 VAC charger, 34AL cylinder CH4/O2/CO/ H2S, demand flow regulator, tubing, and padded carrying case .....	2,550.00
72-6AXX-E	GX-6000,LEL/Oxy/H2S/CO,w/alk batt pack/Li-ion batt pack/12 VDC chgr .....	2,105.00

# Numerical Index

Part#	Description	Suggested Retail
72-6AXX-G	GX-6000,LEL/Oxy/H2S/CO,w/alk & Li-ion batt packs/100-240 VAC & 12 VDC charger .....	2,125.00
72-6AYB-C	GX-6000,LEL/Oxy/H2S/CO/VOC(11.7 ev)/VOC(6K ppm 10.6 eV),w/Li-ion bat pack/100-240 VAC charger	5,495.00
72-6AYX-B	GX-6000,LEL/Oxy/H2S/CO/VOC(11.7 ev),w/alk/Li-ion bat pack/100-240 VAC charger .....	4,305.00
72-6AYX-C	GX-6000,LEL/Oxy/CO/H2S/VOC(11.7 ev),w/Li-ion bat pack/100-240 VAC charger .....	4,145.00
72-6AYX-C-51	GX-6000,LEL/Oxy/H2S/CO/VOC(11.7eV),w/Li-ion batt/100-240VAC chgr/Cal kit gear w/cyl/pad case ...	4,775.00
72-6AYX-G	GX-6000,LEL/Oxy/H2S/COVOC(11.7 ev),w/alk & Li-ion batt packs/100-240 VAC & 12 VDC charger .....	4,325.00
72-6AZB-A	GX-6000,LEL/Oxy/H2S/CO/VOC(10.0 ev)/VOC(6K ppm 10.6 eV),w/alkaline battery pack/ 100-240 VAC charger .....	5,345.00
72-6AZB-B	GX-6000,LEL/Oxy/H2S/CO/VOC(10.0 ev)/VOC(6K ppm 10.6 eV),w/alk/Li-ion bat pack/ 100-240 VAC charger .....	5,755.00
72-6AZB-C	GX-6000,LEL/Oxy/H2S/CO/VOC(10.0 ev)/VOC(6K ppm 10.6 eV),w/Li-ion bat pack/100-240 VAC charger	5,595.00
72-6AZB-E	GX-6000,LEL/Oxy/H2S/CO/VOC(10.0 ev)/VOC(6K ppm 10.6 eV),w/alk/Li-ion bat pack/12 VDC charger	5,775.00
72-6AZB-G	GX-6000,LEL/Oxy/H2S/CO/VOC(10.0eV)/VOC(6K ppm10.6eV),w/alk & Li-ion batt/100-240 VAC/ 12 VDC chargers .....	5,775.00
72-6AZC-A	GX-6000,LEL/Oxy/H2S/CO/VOC((0-100ppm/0-50ppm 10.0 eV)/IR CH4 autorange, w/alkaline battery pack .....	4,395.00
72-6AZC-C	GX-6000,LEL/Oxy/H2S/CO/VOC(10.0 ev)/IR CH4 autorange,w/Li-ion bat pack/100-240 VAC charger ...	4,645.00
72-6AZC-G	GX-6000,LEL/Oxy/H2S/CO/VOC(10.0 eV)/IR CH4 autorange,w/alk & Li-ion batt/100-240 VAC/ 12 VDC chargers .....	4,825.00
72-6AZF-A	GX-6000,LEL/Oxy/H2S/CO/VOC((0-100ppm/0-50ppm 10.0 eV)/CO2(0-10%),w/alkaline battery pack ...	4,445.00
72-6AZI-A	GX-6000,LEL/Oxy/H2S/CO/VOC((0-100ppm/0-50ppm 10.0 eV)/SO2(0-99.90 ppm), w/alkaline battery pack .....	4,255.00
72-6AZI-B	GX-6000,LEL/Oxy/H2S/CO/VOC((0-100ppm/0-50ppm 10.0 eV)/SO2(0-99.90 ppm),w/alk/ Li-ion bat pack/100-240 .....	4,665.00
72-6AZI-C	GX-6000,LEL/Oxy/H2S/CO/VOC(10.0 ev)/SO2(0-99.90 ppm),w/Li-ion bat pack/100-240 VAC charger ...	4,505.00
72-6AZL-C	GX-6000,LEL/Oxy/H2S/CO/VOC(10.0 ev)/HCN(0-15.0 ppm),w/Li-ion bat pack/100-240 VAC charger ...	4,505.00
72-6AZM-B	GX-6000,LEL/Oxy/H2S/CO/VOC((0-100ppm/0-50ppm 10.0 eV)/(0-400 ppm),w/alk/Li-ion bat pack/ 100-240 .....	4,665.00
72-6AZP-C	GX-6000,LEL/Oxy/H2S/CO/VOC(10.0 ev)/Cl2(0-10.0 ppm),w/Li-ion bat pack/100-240 VAC charger .....	4,505.00
72-6AZX-A	GX-6000,LEL/Oxy/H2S/CO/VOC((0-100ppm/0-50ppm 10.0 eV),w/alkaline battery pack .....	3,995.00
72-6AZX-B	GX-6000,LEL/Oxy/H2S/CO/VOC((0-100ppm/0-50ppm 10.0 eV),w/alk/Li-ion bat pack/100-240 .....	4,405.00
72-6AZX-C	GX-6000 for LEL / O2 / H2S / CO / VOC's (0 - 100 ppm /-50 ppm Benzene PID) with Li-Ion battery pack and 115 VAC charger .....	4,245.00
72-6AZX-F	GX-6000,LEL/Oxy/H2S/CO/VOC(10.0 eV)/IR CH4 autorange,w/Li-ion batt pack/100-240 VAC/ 12 VDC chargers .....	4,265.00
72-6AZY-C	GX-6000,LEL/Oxy/H2S/CO/VOC(10.0 ev)/VOC(11.7 eV),w/Li-ion bat pack/100-240 VAC charger .....	6,595.00
72-6BBE-A	GX-6000,LEL/O2/CO/VOC(0-6K ppm 10.6 eV)/IR CO2(10,000 ppm),w/alkaline battery pack.....	3,445.00
72-6BBE-C	GX-6000,LEL/O2/CO/VOC(0-6K ppm 10.6 eV)/IR CO2(10,000 ppm),w/Li-Ion pack/100-240 VAC chgr ...	3,695.00
72-6BBF-B	GX-6000,LEL/O2/CO/VOC(0-6K ppm 10.6 eV)/IR CO2(0-10%),alk pack/Li-Ion pack/100-240 VAC chgr ...	3,855.00
72-6BBL-C	GX-6000,LEL/Oxy/CO/VOC(0-6K ppm 10.6 eV)/HCN(0-15.0 ppm),w/Li-ion battery pack/ 100-240 VAC chgr .....	3,505.00
72-6BBM-C	GX-6000,LEL/Oxy/CO/VOC(6K ppm 10.6 eV)/NH3(400 pp),w/Li-ion battery pack/100-240 VAC charger	3,505.00
72-6BBX-A	GX-6000,LEL/Oxy/CO/VOC(0-6K ppm 10.6 eV),w/alkaline battery pack .....	2,995.00
72-6BBX-B	GX-6000,LEL/Oxy/CO/VOC(0-6K ppm 10.6 eV),w/alk batt pack/Li-Ion batt pack/100-240 VAC charger	3,405.00
72-6BBX-C	GX-6000,LEL/Oxy/CO/VOC(0-6K ppm 10.6 eV),w/Li-ion battery pack/100-240 VAC charger .....	3,245.00
72-6BBX-CR	GX-6000,LEL/Oxy/CO/VOC(0-6K ppm 10.6 eV),w/Li-ion battery pack/100-240 VAC charger/red boot ...	3,245.00
72-6BCM-A	GX-6000,LEL/Oxy/CO/IR CH4 autorange/NH3(0-400 ppm),w/alkaline battery pack .....	2,305.00
72-6BCM-C	GX-6000,LEL/Oxy/CO/IR CH4 autorange/NH3(400 ppm),w/Li-ion battery pack/100-240 VAC chgr .....	2,555.00
72-6BEK-C	GX-6000,LEL/Oxy/CO/CO2(10,000 ppm)/NO2(20.00 ppm),w/Li-ion battery pack/100-240 VAC chgr ...	2,605.00
72-6BEM-C	GX-6000,LEL/Oxy/CO/CO2(10,000 ppm)/NH3(400 ppm),w/Li-ion battery pack/100-240 VAC chgr .....	2,605.00
72-6BEX-A	GX-6000,LEL/Oxy/CO/CO2(0-10,000 ppm), w/alkaline battery pack .....	2,095.00
72-6BFK-C	GX-6000,LEL/Oxy/CO/CO2(0-10%)/NO2(0-20 ppm),w/Li-ion batt pack/100-240 VAC charger .....	2,605.00
72-6BFX-A	GX-6000,LEL/Oxy/CO/CO2(0-10%),w/alkaline battery pack.....	2,095.00
72-6BFX-C	GX-6000,LEL/Oxy/CO/CO2(0-10%),w/Li-ion batt pack/100-240 VAC charger .....	2,345.00
72-6BIK-C	GX-6000,LEL/Oxy/CO/SO2(0-99.90 ppm)/NO2(0-20.00 ppm),w/Li-ion battery pack/100-240 VAC chgr	2,415.00
72-6BKX-B	GX-6000,LEL/Oxy/CO/NO2(0-20.0 ppm),w/alk batt pack/Li-Ion batt pack/100-240 VAC chgr .....	2,315.00
72-6BLX-C	GX-6000,LEL/Oxy/CO/HCN(0-15.0 ppm),w/Li-ion batt pack/100-240 VAC charger .....	2,155.00
72-6BMC-A	GX-6000,LEL/Oxy/CO/NH3 (0-400 ppm)/IR CH4 autorange,w/alkaline battery pack .....	2,305.00
72-6BMC-C	GX-6000,LEL/Oxy/CO/MH3(400 ppm)/IR CH4 autorange,w/Li-ion battery pack/100-240 VAC chgr .....	2,555.00
72-6BME-B	GX-6000,LEL/Oxy/CO/NH3(0-400 ppm)/CO2(10,000 ppm),w/alk batt pack/Li-Ion batt pack/ 100-240 VAC chgr .....	2,765.00

# Numerical Index

Part#	Description	Suggested Retail
72-6BME-C	GX-6000,LEL/Oxy/CO/NH3(400 ppm)/CO2(10,000 ppm),w/Li-ion battery pack/100-240 VAC chgr	2,605.00
72-6BMF-C	GX-6000,LEL/Oxy/CO/NH3 (0-400 ppm)/CO2(0-10%),w/Li-ion battery pack/100-240 VAC charger	2,605.00
72-6BMK-C	GX-6000,LEL/Oxy/CO/NH3(400 ppm)/NO2(20 ppm),w/Li-ion battery pack/100-240 VAC chgr	2,415.00
72-6BMX-A	GX-6000,LEL/Oxy/CO/NH3(0-400 ppm),w/alkaline battery pack	1,905.00
72-6BMX-C	GX-6000,LEL/Oxy/CO/NH3(0-400 ppm),w/Li-ion batt pack/100-240 VAC charger	2,155.00
72-6BPI-C	GX-6000,LEL/Oxy/CO/CL2(0-10.0 ppm)SO2(0-99.90 ppm),w/Li-ion batt pack/100-240 VAC charger	2,415.00
72-6BPX-A	GX-6000,LEL/Oxy/CO/Cl2(0-10.0 ppm), w/alkaline battery pack	1,905.00
72-6BPX-C	GX-6000,LEL/Oxy/CO/CL2(0-10.0 ppm),w/Li-ion batt pack/100-240 VAC charger	2,155.00
72-6BXX-A	GX-6000,LEL/Oxy/CO,w/alkaline battery pack	1,645.00
72-6BXX-C	GX-6000,LEL/Oxy/CO,w/Li-ion batt pack/100-240 VAC charger	1,895.00
72-6BXX-C-05	GX-6000,LEL/Oxy/CO,w/Li-ion batt pack/100-240 VAC charger,with 5 ft hose	2,005.00
72-6BYX-C	GX-6000,LEL/Oxy/CO/VOC(11.7 ev),w/Li-ion bat pack/100-240 VAC charger	4,095.00
72-6BZX-C	GX-6000,LEL/Oxy/CO/VOC(10.0 ev),w/Li-ion bat pack/100-240 VAC charger	4,195.00
72-6CBE-C	GX-6000,LEL/Oxy/H2S/VOC(0-6K ppm 10.6 eV)/IR CO2(10k ppm),w/Li-ion pack/100-240 VAC charger	3,695.00
72-6CBE-C-50	GX-6000,LEL/Oxy/H2S/VOC(0-6K ppm 10.6 eV)/CO2(10k ppm),w/Li-ion batt/AC charger/ Small padded case	3,785.00
72-6CBF-C	GX-6000,LEL/Oxy/H2S/VOC(0-6K ppm 10.6 eV)/IR CO2(0-10%),w/Li-ion pack/100-240 VAC charger	3,695.00
72-6CBI-B	GX-6000,LEL/O2/H2S/VOC(0-6K ppm 10.6 eV)/SO2(0-99.90 ppm),alk pack/Li-Ion pack/ 100-240 VAC chgr	3,480.00
72-6CBP-C	GX-6000,LEL/Oxy/H2S/VOC(0-6K ppm 10.6 eV)/CL2,w/Li-ion battery pack/100-240 VAC charger	3,505.00
72-6CBX-B	GX-6000,LEL/Oxy/H2S/VOC(0-6000 ppm 10.6 eV),w/alk batt pack/Li-Ion batt pack/ 100-240 VAC charger	3,405.00
72-6CBX-C	GX-6000,LEL/Oxy/H2S/VOC(0-6K ppm 10.6 eV),w/Li-ion battery pack/100-240 VAC charger	3,245.00
72-6CCX-C	GX-6000,LEL/Oxy/H2S/IR CH4 autorange,w/Li-ion battery pack/100-240 VAC charger	2,295.00
72-6CDX-C	GX-6000,LEL/Oxy/H2S/IR HC autorange,w/Li-ion battery pack/100-240 VAC charger	2,295.00
72-6CEX-C	GX-6000,LEL/Oxy/H2S/CO2(10,000 ppm),w/Li-ion battery pack/100-240 VAC chgr	2,345.00
72-6CFX-B	GX-6000,LEL/Oxy/H2S/CO2(0-10%),w/alkaline battery pack/Li-Ion battery pack/100-240 VAC charger	2,505.00
72-6CIM-C	GX-6000,LEL/Oxy/H2S/SO2(0-99.90 ppm)/NH3(0-75.0 ppm),w/Li-ion batt pack/100-240 VAC charger	2,415.00
72-6CMI-C	GX-6000,LEL/Oxy/H2S/NH3(0-75.0 ppm)/SO2(0-99.90 ppm),w/Li-ion batt pack/100-240 VAC charger	2,415.00
72-6CXX-B	GX-6000,LEL/Oxy/H2S,w/alkaline battery pack/Li-Ion battery pack/100-240 VAC charger	2,055.00
72-6CXX-C	GX-6000,LEL/Oxy/H2S,w/Li-Ion battery pack/100-240 VAC charger	1,895.00
72-6DBM-C	GX-6000,Oxy/H2S/VOC(0-6K ppm 10.6 eV)/NH3(0-400 ppm),w/Li-ion battery pack/100-240 VAC chgr	3,455.00
72-6DBX-A	GX-6000,Oxy/H2S/VOC(0-6K ppm 10.6 eV),w/alkaline battery pack	2,945.00
72-6DCX-A-10	GX-6000,Oxy/H2S/IR CH4 autoranging,w/alkaline battery pack,with 10 ft hose	1,995.00
72-6DCX-C	GX-6000,Oxy/H2S/IR CH4 autoranging,w/Li-ion battery pack/100-240 VAC charger	2,245.00
72-6DDX-A	GX-6000,Oxy/H2S/IR HC autoranging,w/alkaline battery pack	1,995.00
72-6DDX-C	GX-6000,Oxy/H2S/IR HC autoranging,w/Li-ion battery pack/100-240 VAC charger	2,245.00
72-6DEX-C	GX-6000,Oxy/H2S/CO2(10,000 ppm),w/Li-ion battery pack/100-240 VAC chgr	2,295.00
72-6EAE-C	GX-6000,Oxy/CO/VOC(0-50K ppb 10.6 eV)/IR CO2(10Kppm),w/Li-ion pack/100-240 VAC charger	4,045.00
72-6EBD-A	GX-6000,Oxy/CO/VOC(0-6K ppm 10.6 eV)/IR HC autoranging,w/alkaline battery pack	3,345.00
72-6EBE-C	GX-6000,Oxy/CO/VOC(0-6K ppm 10.6 eV),IR CO2(10Kppm)/w/Li-ion battery pk/100-240 VAC charger	3,645.00
72-6EBF-A	GX-6000,Oxy/CO/VOC(0-6K ppm 10.6 eV)/IR CO2(10%),w/alkaline battery pack	3,395.00
72-6EBI-C	GX-6000,Oxy/CO/VOC(0-6K ppm 10.6 eV)/SO2,w/Li-ion battery pack/100-240 VAC charger	3,455.00
72-6EBX-A	GX-6000,Oxy/CO/VOC(0-6K ppm 10.6 eV),w/alkaline battery pack	2,945.00
72-6EBX-B	GX-6000,Oxy/CO/VOC(0-6K ppm 10.6 eV),w/alk batt pack/Li-Ion batt pack/100-240 VAC charger	3,355.00
72-6EBX-C	GX-6000,Oxy/CO/VOC(0-6K ppm 10.6 eV),w/Li-ion battery pack/100-240 VAC charger	3,195.00
72-6ECX-B	GX-6000,OxyCO/IR CH4 autoranging,w/alk batt pack/Li-Ion batt pack/100-240 VAC charger	2,405.00
72-6ECX-C	GX-6000,Oxy/CO/IR CH4 autorange,w/Li-ion battery pack/100-240 VAC charger	2,245.00
72-6ECX-H	GX-6000,Oxy/CO/IR CH4 autorange,w/Li-ion battery pack	2,120.00
72-6EEM-A	GX-6000,Oxy/CO/CO2(0-10000 ppm)/NH3(0-75.0 ppm),w/alkaline battery pack	2,305.00
72-6EFX-C	GX-6000,O2/CO/CO2(0-10%),w/Li-ion battery pack/100-240 VAC charger	2,295.00
72-6EIX-B	GX-6000,Oxy/CO/SO2(0-100 ppm),w/alkaline battery pack/Li-Ion battery pack/100-240 VAC charger	2,265.00
72-6EME-A	GX-6000,Oxy/CO/NH3 (0-75.0 ppm)/CO2(0-10000 ppm),w/alkaline battery pack	2,305.00
72-6EME-C	GX-6000,Oxy/CO/NH3(400 ppm)/CO2(10,000 ppm),w/Li-ion battery pack/100-240 VAC chgr	2,555.00
72-6EPF-B	GX-6000,Oxy/CO/Cl2/CO2(0-10%),w/alkaline battery pack/Li-Ion battery pack/100-240 VAC charger	2,715.00
72-6EXX-B	GX-6000,Oxy/CO,w/alkaline battery pack/Li-Ion battery pack/100-240 VAC charger	2,005.00
72-6EXX-C	GX-6000,O2/CO,w/Li-ion battery pack/100-240 VAC charger	1,845.00
72-6FBX-C	GX-6000,LEL/CO/VOC(0-6K ppm 10.6 eV),w/Li-ion battery pack/100-240 VAC charger	3,195.00
72-6FCE-C	GX-6000,LEL/CO/IR CH4 autoranging/CO2(0-10000 ppm),w/Li-ion battery pack/100-240 VAC charger	2,695.00
72-6FEK-C	GX-6000,LEL/CO/CO2(10,000 ppm)/NO2(20.00 ppm),w/Li-ion battery pack/100-240 VAC chgr	2,555.00
72-6FFM-A	GX-6000,LEL/CO/CO2(0-10%)/NH3(0-400 ppm),w/alkaline battery pack	2,305.00

# Numerical Index

Part#	Description	Suggested Retail
72-6FFX-C	GX-6000,LEL/CO/CO2(10%vol),w/Li-ion battery pack/100-240 VAC charger .....	2,295.00
72-6FIK-A	GX-6000,LEL/CO/SO2(0-100 ppm)/NO2(0-20.0ppm),w/alkaline battery pack .....	2,115.00
72-6FMF-A	GX-6000,LEL/CO/NH3 (0-400 ppm)/CO2(0-10%),w/alkaline battery pack .....	2,305.00
72-6FXX-C	GX-6000,LEL/CO,w/Li-ion battery pack/100-240 VAC charger .....	1,845.00
72-6GXX-B	GX-6000,LEL/H2S,w/alkaline battery pack/Li-Ion battery pack/100-240 VAC charger .....	2,005.00
72-6HAX-C	GX-6000,LEL/Oxy/VOC(0-50K ppb 10.6 eV),w/Li-ion battery pack/100-240 VAC charger .....	3,595.00
72-6HBC-B	GX-6000,LEL/Oxy/VOC(0-6K ppm 10.6 eV)/IR CH4,w/alk batt pack/Li-Ion batt pack/ 100-240 VAC charger .....	3,755.00
72-6HBC-C	GX-6000,LEL/O2/VOC(0-6K ppm 10.6 eV)/IR CH4 autoranging,w/Li-ion battery pack/ 100-240 VAC charger .....	3,595.00
72-6HBE-G	GX-6000,LEL/O2/VOC(6K ppm 10.6 eV)/IR CO2(10K ppm),alk pk/Li-Ion pk/100-240 VAC & 12 VDC chgr	3,825.00
72-6HBF-C	GX-6000,LEL/Oxy/VOC(0-6K ppm 10.6 eV)/IR CO2(0-10%),w/Li-ion pack/100-240 VAC charger .....	3,645.00
72-6HBI-A	GX-6000,LEL/Oxy/VOC(0-6K ppm 10.6 eV)/SO2(0-99.90 ppm),w/alkaline battery pack .....	3,205.00
72-6HBM-B	GX-6000,LEL/O2/VOC(0-6K ppm 10.6 eV)/NH3,with alkaline pack/Li-Ion pack/100-240 VAC chgr .....	3,615.00
72-6HBM-C	GX-6000,LEL/O2/VOC(0-6K ppm 10.6 eV)/NH3,w/Li-ion battery pack/100-240 VAC charger .....	3,455.00
72-6HBM-A	GX-6000,LEL/Oxy/VOC(0-6K ppm 10.6 eV),w/alkaline battery pack .....	2,945.00
72-6HBX-B	GX-6000,LEL/Oxy/VOC(0-6K ppm 10.6 eV),w/alk batt pack/Li-Ion batt pack/100-240 VAC charger .....	3,355.00
72-6HBX-C	GX-6000,LEL/O2/VOC(0-6K ppm 10.6eV),w/Li-ion battery pack/100-240 VAC charger .....	3,195.00
72-6HBX-E	GX-6000,LEL/Oxy/VOC(0-6K ppm 10.6eV),w/alk batt pack/Li-Ion batt pack/12 VDC chgr .....	3,355.00
72-6HBX-G	GX-6000,LEL/Oxy/VOC(6K ppm 10.6 eV),w/alk & Li-ion batt packs/100-240 VAC & 12 VDC charger .....	3,375.00
72-6HCX-C	GX-6000,LEL/Oxy/IR CH4 autoranging,w/Li-ion battery pack/100-240 VAC charger .....	2,245.00
72-6HDX-C	GX-6000,LEL/Oxy/IR HC autoranging,w/Li-ion battery pack/100-240 VAC charger .....	2,245.00
72-6HEI-C	GX-6000,LEL/O2/CO2(10,000 ppm)/SO2,w/Li-ion battery pack/100-240 VAC charger .....	2,555.00
72-6HEX-C	GX-6000,LEL/Oxy/CO2(10,000 ppm),w/Li-ion battery pack/100-240 VAC chgr .....	2,295.00
72-6HFI-C	GX-6000,LEL/O2/CO2(10%)/SO2,w/Li-ion battery pack/100-240 VAC charger .....	2,555.00
72-6HFX-A	GX-6000,LEL/Oxy/CO2(0-10%),w/alkaline battery pack .....	2,045.00
72-6HFX-C	GX-6000,LEL/O2/CO2(0-10%),w/Li-ion battery pack/100-240 VAC charger .....	2,295.00
72-6HIK-C	GX-6000,LEL/Oxy/SO2(0-99.90 ppm)/NO2(0-20.00 ppm),w/Li-ion battery pack/100-240 VAC chgr .....	2,365.00
72-6HME-C	GX-6000,LEL/Oxy/NH3 (400 PPM)/CO2(10,000 ppm),w/Li-ion battery pack/100-240 VAC chgr .....	2,555.00
72-6HMI-C	GX-6000,LEL/Oxy/NH3(400 ppm)/SO2(100 ppm),w/Li-ion battery pack/100-240 VAC charger .....	2,365.00
72-6HPE-C	GX-6000,LEL/Oxy/Cl2(10 ppm)/CO2(10,000 ppm),w/Li-ion battery pack/100-240 VAC chgr.....	2,555.00
72-6HPI-C	GX-6000,LEL/Oxy/CL2(0-10.0 ppm)/SO2(100 ppm),w/Li-ion battery pack/100-240 VAC charger .....	2,365.00
72-6HXX-A	GX-6000,LEL/Oxy,w/alkaline battery pack .....	1,595.00
72-6HXX-C	GX-6000,LEL/O2,w/Li-ion battery pack/100-240 VAC charger .....	1,845.00
72-6IBK-C	GX-6000,CO/VOC(0-6K ppm 10.6 eV)/NO2(0-20.0 ppm),w/Li-ion battery pack/100-240 VAC charger ...	3,405.00
72-6IFK-C	GX-6000,CO/CO2(0-10%)/NO2(0-20 ppm),w/Li-ion batt pack/100-240 VAC charger .....	2,505.00
72-6IIK-C	GX-6000,CO/SO2(0-99.90 ppm)/NO2(0-20.0 ppm),w/Li-ion battery pack/100-240 VAC chgr .....	2,315.00
72-6IIX-B	GX-6000,CO/SO2(0-100 ppm),w/alkaline battery pack/Li-Ion battery pack/100-240 VAC charger .....	2,215.00
72-6IKX-A	GX-6000,CO/NO2,w/alkaline battery pack .....	1,805.00
72-6IKX-C	GX-6000,CO/NO2(0-20 ppm),w/Li-ion battery pack/100-240 VAC charger .....	2,055.00
72-6IMX-C	GX-6000,CO/NH3(0-400 ppm),w/Li-ion battery pack/100-240 VAC charger .....	2,055.00
72-6IXX-C	GX-6000,CO,w/Li-ion battery pack/100-240 VAC charger .....	1,795.00
72-6JAM-C	GX-6000,H2S/VOC(0-50K ppb 10.6eV)/NH3(0-400 ppm),w/Li-ion battery pack/100-240 VAC charger ...	3,805.00
72-6JAX-B	GX-6000,H2S/VOC(0-50K ppb 10.6 eV),w/alk pack/Li-Ion pack/100-240 VAC chgr.....	3,705.00
72-6JBE-C	GX-6000,H2S/VOC(0-6K ppm 10.6 eV),IR CO2(10Kppm)/w/Li-ion battery pk/100-240 VAC charger .....	3,605.00
72-6JBX-B	GX-6000,H2S/VOC(0-6K ppm 10.6eV),alk pack/Li-Ion pack/100-240 VAC chgr .....	3,305.00
72-6JBX-C	GX-6000,H2S/VOC(0-6K ppm 10.6eV),w/Li-ion battery pack/100-240 VAC charger .....	3,145.00
72-6JCF-A	GX-6000,H2S/IR CH4/CO2(0-10% vol),w/alkaline battery pack .....	2,395.00
72-6JFX-A	GX-6000,H2S/CO2(0-10%),w/alkaline battery pack .....	1,995.00
72-6JFX-G	GX-6000,H2S/CO2(0-10%),w/alk & Li-ion batt packs/100-240 VAC & 12 VDC charger .....	2,390.00
72-6JLX-C	GX-6000,H2S/HCN(0-15 ppm),w/Li-ion battery pack/100-240 VAC charger .....	2,055.00
72-6JPX-A	GX-6000,H2S/CL2(0-10.0 ppm),w/alkaline battery pack .....	1,805.00
72-6JPX-C	GX-6000,H2S/CL2(0-10.0 ppm),w/Li-ion batt pack/100-240 VAC charger .....	2,055.00
72-6JXX-C	GX-6000,H2S,w/Li-ion battery pack/100-240 VAC charger .....	1,795.00
72-6JYE-G	GX-6000,H2S/VOC(11.7 ev)/CO2(0-10000 ppm),w/alk & Li-ion batt packs/100-240 VAC & 12 VDC charger .....	4,590.00
72-6JZM-A	GX-6000,H2S/VOC(0-100ppm/0-50ppm 10.0eV)/NH3 (0-400 ppm),w/alkaline battery pack .....	4,105.00
72-6JZX-C	GX-6000,H2S/VOC(10.0 ev),w/Li-ion bat pack/100-240 VAC charger .....	4,095.00
72-6KBC-B	GX-6000,Oxy/VOC(0-6K ppm 10.6 eV)/IR CH4,w/alk batt pack/Li-Ion batt pack/100-240 VAC charger...	3,705.00
72-6KBC-C	GX-6000,O2/VOC(0-6K ppm 10.6 eV)/IR CH4 autoranging,w/Li-ion battery pack/100-240 VAC charger	3,545.00
72-6KBF-C	GX-6000,Oxy/VOC(0-6K ppm 10.6eV)/IR CO2(10%),w/Li-ion battery pack/100-240 VAC charger .....	3,595.00



# Numerical Index

Part#	Description	Suggested Retail
72-6KBP-C	GX-6000,Oxy/VOC(0-6K ppm 10.6 eV)/CL2,w/Li-ion battery pack/100-240 VAC charger .....	3,405.00
72-6KBX-C	GX-6000,Oxy/VOC(0-6K ppm 10.6eV),w/Li-ion battery pack/100-240 VAC charger .....	3,145.00
72-6KCD-C	GX-6000,Oxy/IR CH4 autoranging/IR HC autoranging,w/Li-ion battery pack/100-240 VAC charger .....	2,595.00
72-6KCF-C	GX-6000,O2/IR CH4 autoranging/CO2(0-10%),w/Li-ion battery pack/100-240 VAC charger .....	2,645.00
72-6KCX-A	GX-6000,Oxy/IR CH4 autoranging,w/alkaline battery pack .....	1,945.00
72-6KCX-A-10	GX-6000,Oxy/IR CH4 autoranging,w/alkaline battery pack,10 ft hose .....	1,975.00
72-6KCX-C	GX-6000,Oxy/IR CH4 autoranging,w/Li-ion battery pack/100-240 VAC charger .....	2,195.00
72-6KDX-C	GX-6000,Oxy/IR HC autoranging,w/Li-ion battery pack/100-240 VAC charger .....	2,195.00
72-6KEX-A	GX-6000,Oxy/IR CO2(10,000 ppm),w/alkaline battery pack.....	1,995.00
72-6KEX-C	GX-6000,Oxy/IR CO2(10,000 ppm),w/Li-ion battery pack/100-240 VAC charger .....	2,245.00
72-6KFI-C	GX-6000,Oxy/CO2(0-10%)/SO2(0-99.90 ppm),w/Li-ion battery pack/100-240 VAC charger .....	2,505.00
72-6KFX-A	GX-6000,O2/CO2(0-10%),w/alkaline battery pack .....	1,995.00
72-6KFX-A-51	GX-6000,O2/CO2(0-10%),w/alkaline battery pack/34L 2.5% vol CO2/DFR/tubing/case .....	2,460.00
72-6KFX-B	GX-6000,Oxy/CO2(0-10%),w/alkaline battery pack/Li-Ion battery pack/100-240 VAC charger .....	2,405.00
72-6KFX-C	GX-6000,Oxy/IR CO2(10%),w/Li-ion battery pack/100-240 VAC charger.....	2,245.00
72-6KIX-C	GX-6000,Oxy/SO2(0-99.90 ppm),w/Li-ion battery pack/100-240 VAC charger .....	2,055.00
72-6KMX-C	GX-6000,Oxy/NH3(0-400 ppm),w/Li-ion battery pack/100-240 VAC charger .....	2,055.00
72-6KPI-A	GX-6000,Oxy/Cl2(0-10 ppm)/SO2(0-99.90 ppm),w/alkaline battery pack .....	2,065.00
72-6KPI-C	GX-6000,Oxy/CL2(0-10.0 ppm)SO2(0-99.90 ppm),w/Li-ion batt pack/100-240 VAC charger .....	2,315.00
72-6KPX-C	GX-6000,Oxy/CL2(0-10.0 ppm),w/Li-ion batt pack/100-240 VAC charger .....	2,055.00
72-6KXX-A	GX-6000,Oxy,w/alkaline battery pack .....	1,545.00
72-6KXX-B	GX-6000,Oxy,w/alkaline battery pack/Li-Ion battery pack/100-240 VAC charger .....	1,920.00
72-6LAK-C	GX-6000,LEL/VOC(0-50K ppb 10.6eV)/NO2,w/Li-ion battery pack/100-240 VAC charger .....	3,805.00
72-6LAX-B	GX-6000,LEL/VOC(0-50K ppb 10.6 eV),w/alk pack/Li-Ion pack/100-240 VAC chgr .....	3,705.00
72-6LAX-C	GX-6000,LEL/VOC(0-50K ppb 10.6eV),w/Li-ion battery pack/100-240 VAC charger .....	3,545.00
72-6LBX-A	GX-6000,LEL/VOC(0-6K ppm 10.6eV),w/alkaline battery pack.....	2,895.00
72-6LBX-B	GX-6000,LEL/VOC(0-6K ppm 10.6eV),alk pack/Li-Ion pack/100-240 VAC chgr .....	3,305.00
72-6LBX-C	GX-6000,LEL/VOC(0-6K ppm 10.6eV),w/Li-ion battery pack/100-240 VAC charger .....	3,145.00
72-6LEX-B	GX-6000,LEL/IR CO2(0-10K ppm),alk pack/Li-Ion pack/100-240 VAC chgr .....	2,405.00
72-6LEX-B-50	GX-6000,LEL/IR CO2(0-10K ppm),alk pack/Li-Ion pack/100-240 VAC chgr/small padded case .....	2,495.00
72-6LFK-C	GX-6000,LEL/CO2(0-10%)/NO2(0-20 ppm),w/Li-ion batt pack/100-240 VAC charger .....	2,505.00
72-6LFX-A	GX-6000,LEL/CO2(0-10%),w/alkaline battery pack .....	1,995.00
72-6LMK-C	GX-6000,LEL/NH3(0-400 ppm)/NO2(0-20.00 ppm),w/Li-ion battery pack/100-240 VAC chgr .....	2,315.00
72-6LXX-C	GX-6000,LEL,w/Li-ion battery pack/100-240 VAC charger .....	1,795.00
72-6LYB-C	GX-6000,LEL/VOC(11.7 eV)/VOC(6K ppm 10.6 eV),w/Li-ion bat pack/100-240 VAC charger .....	5,345.00
72-6LZX-B	GX-6000,LEL/VOC(0-100ppm/0-50ppm 10.0eV),alk pack/Li-Ion pack/100-240 VAC chgr .....	4,255.00
72-6MAX-C	GX-6000,Oxy/H2S/CO/VOC(0-50K ppb 10.6 eV),w/Li-ion battery pack/100-240 VAC charger .....	3,645.00
72-6MBC-C	GX-6000,Oxy/H2S/CO/VOC(0-6K ppm 10.6 eV)/IR CH4 autoranging,w/Li-ion pack/100-240 VAC charger .....	3,645.00
72-6MBD-A	GX-6000,Oxy/H2S/CO/VOC(0-6K ppm 10.6eV)/IR HC autoranging,w/alkaline battery pack .....	3,395.00
72-6MBD-C	GX-6000,Oxy/H2S/CO/VOC(0-6K ppm 10.6 eV)/IR HC autoranging,w/Li-ion pack/100-240 VAC charger .....	3,645.00
72-6MBE-C	GX-6000,Oxy/H2S/CO/VOC(0-6K ppm 10.6 eV)/IR CO2(10Kppm),w/Li-ion pack/100-240 VAC charger .....	3,695.00
72-6MBX-C	GX-6000,Oxy/H2S/CO/VOC(0-6K ppm 10.6eV),w/Li-ion battery pack/100-240 VAC charger .....	3,245.00
72-6MCE-C	GX-6000,Oxy/H2S/CO/IR CH4 autoranging/CO2(0-10000 ppm),w/Li-ion battery pack/ 100-240 VAC charger .....	2,745.00
72-6MCF-C	GX-6000,Oxy/H2S/CO/IR CH4 autoranging/CO2(0-10%),w/Li-ion battery pack/100-240 VAC charger ...	2,745.00
72-6MCI-C	GX-6000,Oxy/H2S/CO/IR CH4 autoranging/SO2,w/Li-ion battery pack/100-240 VAC charger .....	2,555.00
72-6MCL-A	GX-6000,Oxy/H2S/CO/IR CH4 autorange/HCN,w/alkaline battery pack .....	2,305.00
72-6MCX-A-10	GX-6000,Oxy/H2S/CO/IR CH4 autorange,w/alkaline battery pack,10 ft hose .....	2,075.00
72-6MCX-B	GX-6000,Oxy/H2S/CO/IR CH4 autoranging,w/alk batt pack/Li-Ion batt pack/100-240 VAC charger .....	2,455.00
72-6MCX-C	GX-6000,Oxy/H2S/CO/IR CH4 autoranging,w/Li-ion battery pack/100-240 VAC charger .....	2,295.00
72-6MCX-C-51	GX-6000,Oxy/H2S/CO/IR CH4 autoranging,w/Li-ion batt/100-240VAC chgr/Cal kit gear w/cyl/pad case .....	2,850.00
72-6MDK-C	GX-6000,Oxy/H2S/CO/IR HC autoranging/NO2,w/Li-ion battery pack/100-240 VAC charger .....	2,555.00
72-6MDX-A	GX-6000,Oxy/H2S/CO/IR HC autoranging,w/alkaline battery pack .....	2,045.00
72-6MDX-C	GX-6000,Oxy/H2S/CO/IR HC autoranging,w/Li-ion battery pack/100-240 VAC charger.....	2,295.00
72-6MEX-A	GX-6000,Oxy/H2S/CO/CO2(10,000 ppm),w/alkaline battery pack .....	2,095.00
72-6MLX-A	GX-6000,Oxy/H2S/CO/HCN,w/alkaline battery pack .....	1,905.00
72-6MPM-C	GX-6000,Oxy/H2S/CO/Cl2(0-10.0 ppm)/NH3(0-400 ppm),w/Li-ion battery pack/100-240 VAC chgr.....	2,415.00
72-6MZC-B	GX-6000,Oxy/H2S/CO/VOC(100ppm/50ppm 10.0eV)/IR CH4 autoranging,alk pack/Li-Ion pack/ 100-240 VAC chgr .....	4,755.00
72-6MZC-C	GX-6000,Oxy/H2S/CO/VOC(10.0 eV)/IR CH4 autoranging,w/Li-ion bat pack/100-240 VAC charger .....	4,595.00
72-6MZD-C-LEL	GX-6000,Oxy/H2S/CO/VOC(10.0 eV)/IR HC %LEL,w/Li-ion bat pack/100-240 VAC charger .....	4,595.00

# Numerical Index

Part#	Description	Suggested Retail
72-6NEM-C	GX-6000,LEL/H2S/CO/CO2(10,000 ppm)/NH3,w/Li-ion battery pack/100-240 VAC charger .....	2,605.00
72-6NFI-C	GX-6000,LEL/H2S/CO/CO2(10%) /SO2,w/Li-ion battery pack/100-240 VAC charger .....	2,605.00
72-6NMC-C	GX-6000,LEL/H2S/NH3/CO/CO2(10,000 ppm),w/Li-ion battery pack/100-240 VAC charger .....	2,605.00
72-6NZC-C	GX-6000,LEL/H2S/CO/VOC(10.0 ev)/IR CH4 autorange,w/Li-ion bat pack/100-240 VAC charger .....	4,595.00
72-6OCE-C	GX-6000,H2S/CO/IR CH4 autoranging/CO2(0-10000 ppm),w/Li-ion battery pack/100-240 VAC charger .....	2,695.00
72-6OXX-F	GX-6000,H2S/CO,Li-ion batt pack/100-240 VAC & 12 VDC charger .....	1,865.00
72-6OZC-C	GX-6000,H2S/CO/VOC(10.0 ev)/IR CH4 autorange,w/Li-ion bat pack/100-240 VAC charger .....	4,545.00
72-6XAB-A	GX-6000 for VOC's (0 - 50,000 ppb PID) / VOC's (0 - 6,000 ppm PID) with alkaline battery pack.....	4,295.00
72-6XAB-C	GX-6000 for VOC's (0 - 50,000 ppb PID) / VOC's (0 - 6,000 ppm PID) with Li-Ion battery pack and 115 VAC charger .....	4,545.00
72-6XAM-C	GX-6000,VOC(0-50K ppb 10.6eV)/NH3(0-400 ppm),w/Li-ion battery pack/100-240 VAC charger .....	3,755.00
72-6XAX-A	GX-6000 for VOC's (0 - 50,000 ppb PID) with alkaline battery pack .....	3,245.00
72-6XAX-B	GX-6000,VOC(0-50K ppb 10.6eV),alk pack/Li-Ion pack/100-240 VAC chgr .....	3,655.00
72-6XAX-C	GX-6000 for VOC's (0 - 50,000 ppb PID) with Li-Ion battery pack and 115 VAC charger .....	3,495.00
72-6XAY-C	GX-6000, VOC(0-50 ppm 10.6 PID)/VOC (0-100 ppm 11.7 PID) with Li-ion battery pack and 115VAC charger .....	5,695.00
72-6XAY-C-51	GX-6000 for VOC's (0 - 50 ppm 10.6 PID) / VOC's (0 - 50 ppm 11.7 PID) with Li-Ion battery pack, 115 VAC charger, 34L cylinder isobutylene 100 ppm/N2, 34L cylinder isobutylene 10 ppm/N2, demand flow regulator, tubing, and padded carrying case .....	6,325.00
72-6XAZ-C	GX-6000,VOC(0-50K ppb 10.6eV)/VOC (100ppm/50ppm 10.0eV), Li-Ion pack/100-240 VAC chgr .....	5,795.00
72-6XBC-C	GX-6000,VOC(0-6K ppm 10.6eV)/IR CH4 autorange,w/Li-ion battery pack/100-240 VAC charger .....	3,495.00
72-6XBD-B	GX-6000,VOC(0-6K ppm 10.6eV)/IR HC autorange,alk pack/Li-Ion pack/100-240 VAC chgr .....	3,655.00
72-6XBI-C	GX-6000,VOC(0-6K ppm 10.6eV)/SO2(0-100ppm),w/Li-ion battery pack/100-240 VAC charger .....	3,355.00
72-6XBM-B	GX-6000,VOC(0-6K ppm 10.6eV)/NH3(0-400 ppm),alk pack/Li-Ion pack/100-240 VAC chgr .....	3,515.00
72-6XBP-B	GX-6000,VOC(0-6K ppm 10.6eV)/Cl2(0-10.0 ppm),alk pack/Li-Ion pack/100-240 VAC chgr .....	3,515.00
72-6XBX-A	GX-6000,VOC's (0-6,000 ppm) with alkaline battery pack .....	2,845.00
72-6XBX-B	GX-6000,VOC(0-6K ppm 10.6eV),alk pack/Li-Ion pack/100-240 VAC chgr .....	3,255.00
72-6XBX-C	GX-6000 for VOC's (0 - 6,000 ppm PID, 10.6 eV lamp) with Li-Ion battery pack and 115 VAC charger ...	3,095.00
72-6XBX-C-50	GX-6000 for VOC's (0 - 6,000 ppm PID, 10.6 eV lamp) with Li-Ion battery pack, 115 VAC charger, and padded carrying case .....	3,205.00
72-6XBX-C-51	GX-6000 for VOC's (0 - 6,000 ppm PID, 10.6 eV) with Li-Ion battery pack, 115 VAC charger, 34AL cylinder 100 ppm isobutylene/air, demand flow regulator, tubing, and padded carrying case .....	3,690.00
72-6XBX-D	GX-6000,VOC(0-6K ppm 10.6eV),w/Li-ion battery pack/12 VDC charger .....	3,095.00
72-6XBX-E	GX-6000,VOC(0-6K ppm 10.6eV),w/alk batt pack/Li-Ion batt pack/12 VDC chgr .....	3,255.00
72-6XCF-A	GX-6000,IR CH4/CO2(0-10% vol),w/alkaline battery pack .....	2,345.00
72-6XCX-A	GX-6000,IR CH4 autorange,w/alkaline battery pack.....	1,895.00
72-6XCX-B	GX-6000,IR CH4 autoranging,w/alk batt pack/Li-Ion batt pack/100-240 VAC charger .....	3,305.00
72-6XCX-C	GX-6000,IR CH4 autorange,w/Li-ion battery pack/100-240 VAC charger .....	2,145.00
72-6XDX-B	GX-6000,IR HC autoranging,w/alk batt pack/Li-Ion batt pack/100-240 VAC charger .....	2,305.00
72-6XDX-C	GX-6000,IR HC autoranging,w/Li-ion battery pack/100-240 VAC charger .....	2,145.00
72-6XEK-C	GX-6000,CO2 (0-10,000 ppm)/NO2(0-20.00 ppm),w/Li-ion battery pack/100-240 VAC charger .....	2,595.00
72-6XEM-A	GX-6000,CO2(0-10,000 ppm)/NH3(0-400 ppm),w/alkaline battery pack .....	2,205.00
72-6XEX-A	GX-6000,CO2(0-10,000 ppm), w/alkaline battery pack.....	1,945.00
72-6XEX-B	GX-6000,IR CO2(0-10K ppm),alk pack/Li-Ion pack/100-240 VAC chgr .....	2,355.00
72-6XEX-C	GX-6000,CO2 (0-10,000 ppm),w/Li-ion battery pack/100-240 VAC charger .....	2,195.00
72-6XFX-A	GX-6000,CO2(0-10%), w/alkaline battery pack .....	1,945.00
72-6XFX-C	GX-6000,CO2 (0-10%),w/Li-ion battery pack/100-240 VAC charger.....	2,195.00
72-6XIX-A	GX-6000,SO2,0-99.90 ppm,w/alkaline battery pack .....	1,755.00
72-6XIX-C	GX-6000,SO2 0-100 ppm,w/Li-ion battery pack/100-240 VAC charger .....	2,005.00
72-6XKM-A	GX-6000,NO2(0-20.00 ppm)/NH3(0-400 ppm),w/alkaline battery pack .....	2,015.00
72-6XKX-C	GX-6000,NO2 0-20.00 ppm,w/Li-ion battery pack/100-240 VAC charger .....	2,005.00
72-6XLX-A	GX-6000,HcN,0-15.0 ppm,w/alkaline battery pack .....	1,755.00
72-6XLX-C	GX-6000,HcN 0-15.0 ppm,w/Li-ion battery pack/100-240 VAC charger .....	2,005.00
72-6XMB-C	GX-6000,NH3 (0-400 ppm)/VOC(0-6K ppm 10.6eV),w/Li-ion battery pack/100-240 VAC charger .....	3,355.00
72-6XME-A	GX-6000,NH3 (0-400 ppm)/CO2(0-10,000 ppm),w/alkaline battery pack .....	2,205.00
72-6XMF-C	GX-6000,NH3 0-400 ppm/CO2(0-10%),w/Li-ion battery pack/100-240 VAC charger .....	2,455.00
72-6XMK-A	GX-6000,NH3 (0-400 ppm)/NO2(0-20.00 ppm),w/alkaline battery pack .....	2,015.00
72-6XMX-A	GX-6000,NH3 (0-400 ppm),w/alkaline battery pack .....	1,755.00
72-6XMX-C	GX-6000,NH3 0-400 ppm,w/Li-ion battery pack/100-240 VAC charger .....	2,005.00
72-6XMX-D	GX-6000,NH3(0-400 ppm),w/Li-Ion batt pack/12 VDC chgr .....	2,005.00
72-6XPF-C	GX-6000,Cl2(0-10ppm)/CO2(0-10%),w/Li-ion battery pack/100-240 VAC charger .....	2,455.00

# Numerical Index

Part#	Description	Suggested Retail
72-6XPI-C	GX-6000, Cl2 (0-10.0 ppm)/SO2 (0-99.90 ppm) Li-Ion pack/100-240 VAC chgr .....	2,265.00
72-6XPK-C-50	GX-6000, Cl2 (0-10.0 ppm)/NO2 (0-20.0 ppm) Li-Ion pack/100-240 VAC chgr/carrying case .....	2,355.00
72-6XPM-A	GX-6000,Cl2 (0-10.0 ppm)/NH(0-400 ppm),w/alkaline battery pack .....	2,015.00
72-6XPM-C	GX-6000, Cl2 (0-10.0 ppm)/NH3 (0-400 ppm) Li-Ion pack/100-240 VAC chgr .....	2,265.00
72-6XPX-A	GX-6000,Cl2(0-10 ppm),w/alkaline battery pack .....	1,795.00
72-6XPX-C	GX-6000,Cl2 (0-10.0 ppm),w/Li-ion battery pack/100-240 VAC charger .....	2,005.00
72-6XYB-A	GX-6000,VOC(11.7 ev)/VOC(10.6 6k ppm),w/alkaline battery pack .....	5,045.00
72-6XYX-A	GX-6000,VOC(11.7 ev),w/alkaline battery pack .....	3,695.00
72-6XYX-C	GX-6000,VOC(11.7 ev),w/Li-ion bat pack/100-240 VAC charger .....	3,945.00
72-6XYX-G	GX-6000,VOC(11.7 eV),w/alk & Li-ion batt packs/100-240 VAC & 12 VDC charger .....	4,125.00
72-6XZB-A	GX-6000,VOC(10.0 ev)/VOC(6K ppm 10.6 eV),w/alkaline battery pack/100-240 VAC charger .....	5,145.00
72-6XZB-C	GX-6000 for Benzene specific (0 - 50 ppm PID, 10.0 eV lamp) with tube holder, box of 10 tubes, VOC's (0 - 6,000 ppm PID, 10.6 eV lamp) (Li-Ion battery pack, and charger).....	5,395.00
72-6XZC-B	GX-6000,VOC(0-100ppm/0-50ppm 10.0eV)/IR CH4 autoranging,alk pack/Li-Ion pack/100-240 VAC chgr	4,605.00
72-6XZM-A	GX-6000,VOC(0-100ppm/0-50ppm 10.0eV)/NH3 (0-400 ppm),w/alkaline battery pack .....	4,055.00
72-6XZX-A	GX-6000 for Benzene specific (0 - 50 ppm PID, 10.0 eV lamp) with tube holder, box of 10 tubs, Alkaline battery pack, and charger .....	3,795.00
72-6XZX-B	GX-6000,VOC(0-100ppm/0-50ppm 10.0eV),alk pack/Li-Ion pack/100-240 VAC chgr .....	4,205.00
72-6XZX-C	GX-6000 for Benzene specific (0 - 50 ppm PID) with tube holder, box of 10 tubes, Li-Ion battery pack, and charger.....	4,045.00
72-6XZX-C-51	GX-6000,VOC (100ppm/50ppm 10.0eV),w/Li-ion batt/AC chgr/Cal gear w/34l gas/DFR/tubing/case ...	4,640.00
72-PAA-A	GX-3R Pro,LEL/Oxy/H2S/CO/CO2(10000 ppm),with alkaline battery pack .....	1,195.00
72-PAA-A-56	GX-3R Pro,LEL/Oxy/H2S/CO/CO2(10000 ppm),with alkaline battery pack & cal kit .....	1,860.00
72-PAA-B	GX-3R Pro,LEL/Oxy/H2S/CO/CO2(10000 ppm),with alkaline and Li-Ion battery packs, 100-240 VAC charger .....	1,445.00
72-PAA-C	GX-3R Pro, 5 gas, LEL / O2 / combo H2S & CO / ppm CO2 with 100-240 VAC charger.....	1,320.00
72-PAA-D	GX-3R Pro,LEL/Oxy/H2S/CO/CO2(10000 ppm),with Li-Ion battery & 12 VDC charger .....	1,295.00
72-PAB-A	GX-3R Pro,LEL/Oxy/H2S/CO/CO2(10%),with alkaline battery pack .....	1,195.00
72-PAB-B	GX-3R Pro,LEL/Oxy/H2S/CO/CO2(10%),with alkaline and Li-Ion battery packs,100-240 VAC charger ...	1,345.00
72-PAB-C	GX-3R Pro, 5 gas, LEL / O2 / combo H2S & CO / % CO2 with 100-240 VAC charger .....	1,320.00
72-PAB-D	GX-3R Pro,LEL/Oxy/H2S/CO/CO2(10%),with Li-Ion battery & 12 VDC charger .....	1,295.00
72-PAB-E	GX-3R Pro,LEL/Oxy/H2S/CO/CO2(10%),with Li-Ion battery .....	1,270.00
72-PAC-A	GX-3R Pro,LEL/Oxy/H2S/CO/SO2,with alkaline battery pack .....	1,035.00
72-PAC-B	GX-3R Pro,LEL/Oxy/H2S/CO/SO2,w/alkaline & Li-Ion battery packs,100-240 VAC charger .....	1,285.00
72-PAC-C	GX-3R Pro, 5 gas, LEL / O2 / combo H2S & CO / SO2 100 ppm with Li-Ion battery pack including 100-240 VAC charger .....	1,160.00
72-PAC-C-50	GX-3R Pro, 5 gas, LEL / O2 / combo H2S & CO / SO2 100 ppm with Li-Ion battery pack 100-240 VAC charger, screwdriver and carrying case .....	1,245.00
72-PAC-C-56	GX-3R Pro, 5 gas, LEL / O2 / combo H2S & CO / SO2 100 ppm bundled with 34AL cylinder SO2/H2S/ CO/O2/LEL, 0.25 LPM regulator, Li-Ion battery pack & 100-240 VAC charger, tubing, screwdriver, and carrying case .....	1,675.00
72-PAC-C-58	GX-3R Pro, 5 gas, LEL / O2 / combo H2S & CO / SO2 100 ppm bundled with RP-3R, 10' hose & probe, Li-Ion battery pack & 100-240 VAC charger and carrying case.....	1,700.00
72-PAC-D	GX-3R Pro,LEL/Oxy/H2S/CO/SO2,with Li-Ion battery & 12 VDC charger .....	1,135.00
72-PAD-A	GX-3R Pro,LEL/Oxy/H2S/CO/NO2,w/alkaline battery pack .....	1,035.00
72-PAE-A	GX-3R Pro,LEL/Oxy/H2S/CO/HCn,w/alkaline battery pack .....	1,035.00
72-PAE-B	GX-3R Pro,LEL/Oxy/H2S/CO/HCn,w/alkaline & Li-Ion battery packs,100-240 VAC charger.....	1,285.00
72-PAE-C	GX-3R Pro,LEL/Oxy/H2S/CO/HCn,with Li-Ion battery & 100-240 VAC charger.....	1,160.00
72-PAG-A	GX-3R Pro,LEL/Oxy/H2S/CO/NH3,w/alkaline battery pack .....	1,035.00
72-PAG-C	GX-3R Pro, 5 gas, LEL / O2 / combo H2S & CO / NH3 400 ppm with Li-Ion battery pack including 100-240 VAC charger .....	1,160.00
72-PAH-C	GX-3R Pro, 5 gas, LEL / O2 / combo H2S & CO / Cl2 10 ppm with Li-Ion battery pack including 100-240 VAC charger .....	1,140.00
72-PAX-A	GX-3R Pro,LEL/Oxy/H2S/CO,w/alkaline battery pack .....	795.00
72-PAX-A-56	GX-3R Pro,LEL/Oxy/H2S/CO,w/alkaline battery pack/cal kit.....	1,270.00
72-PAX-B	GX-3R Pro,LEL/Oxy/H2S/CO,w/alkaline & Li-Ion battery packs,100-240 VAC charger .....	1,045.00
72-PAX-C	GX-3R Pro, 4 gas, LEL / O2 / combo H2S & CO with Li-Ion battery & 100-240 VAC charger.....	975.00
72-PAX-C-50	GX-3R Pro, 4 gas, LEL / O2 / combo H2S & CO with Li-Ion battery & 100-240 VAC charger, screwdriver and carrying case .....	1,060.00
72-PAX-C-56	GX-3R Pro, 4 gas, LEL / O2 / combo H2S & CO bundled with 34AL cylinder CH4/O2/H2S/CO, 0.25 LPM regulator, Li-Ion battery & 100-240 VAC charger, tubing, screwdriver, and carrying case .....	1,450.00

# Numerical Index

Part#	Description	Suggested Retail
72-PAX-C-58	GX-3R Pro, 4 gas, LEL / O2 / combo H2S & CO bundled with with RP-3R, 10' hose & probe, Li-Ion battery & 100-240 VAC charger and carrying case .....	1,515.00
72-PAX-C-59	GX-3R Pro LEL/Oxy/H2S/CO confined space kit, pump with 10 ft hose and probe, cal kit .....	1,870.00
72-PAX-C-59-H	GX-3R Pro LEL/Oxy/H2S/CO confined space kit, pump with 10 ft hose and probe,hexane cal kit .....	1,870.00
72-PAX-D	GX-3R Pro,LEL/Oxy/H2S/CO,with Li-Ion battery & 12 VDC charger .....	895.00
72-PAX-F	GX-3R Pro,LEL/Oxy/H2S/CO,with Li-Ion battery/100-240 VAC & 12 VDC chargers .....	945.00
72-PBX-A	GX-3R Pro,LEL/Oxy/H2S/CO,with alkaline battery pack .....	845.00
72-PBX-B	GX-3R Pro,LEL/Oxy/H2S/CO,with alkaline and Li-Ion battery packs,100-240 VAC charger .....	1,095.00
72-PBX-C	GX-3R Pro,LEL/Oxy/H2S/CO,with Li-Ion battery & 100-240 VAC charger .....	970.00
72-PBX-D	GX-3R Pro,LEL/Oxy/H2S/CO,with Li-Ion battery & 12 VDC charger .....	945.00
72-PCX-A	GX-3R Pro,LEL/Oxy/H2S/CO(-H2),with alkaline battery pack .....	1,015.00
72-PCX-B	GX-3R Pro,LEL/Oxy/H2S/CO(-H2),with alkaline and Li-Ion battery packs,100-240 VAC charger .....	1,265.00
72-PCX-C	GX-3R Pro, 4 gas, LEL / O2 / H2S / CO (H2 compensated) with 100-240 VAC charger .....	1,140.00
72-PCX-D	GX-3R Pro,LEL/Oxy/H2S/CO(-H2),with Li-Ion battery & 12 VDC charger .....	1,115.00
72-PDA-A	GX-3R Pro,LEL/Oxy/H2S/CO2 (10k ppm),with alkaline battery pack .....	1,195.00
72-PDA-B	GX-3R Pro,LEL/Oxy/H2S/CO2 (10k ppm),with alkaline and Li-Ion battery packs,100-240 VAC charger ...	1,445.00
72-PDA-C	GX-3R Pro,LEL/Oxy/H2S/CO2 (10k ppm),with Li-Ion battery & 100-240 VAC charger .....	1,320.00
72-PDA-D	GX-3R Pro,LEL/Oxy/H2S/CO2 (10k ppm),with Li-Ion battery & 12 VDC charger .....	1,295.00
72-PDB-A	GX-3R Pro,LEL/Oxy/H2S/CO2 (10%),with alkaline battery pack .....	1,195.00
72-PDB-B	GX-3R Pro,LEL/Oxy/H2S/CO2 (10%),with alkaline and Li-Ion battery packs,100-240 VAC charger.....	1,445.00
72-PDB-C	GX-3R Pro,LEL/Oxy/H2S/CO2 (10%),with Li-Ion battery & 100-240 VAC charger.....	1,320.00
72-PDB-D	GX-3R Pro,LEL/Oxy/H2S/CO2 (10%),with Li-Ion battery & 12 VDC charger .....	1,295.00
72-PDC-A	GX-3R Pro,LEL/Oxy/H2S/SO2,with alkaline battery pack .....	1,035.00
72-PDC-B	GX-3R Pro,LEL/Oxy/H2S/SO2,with alkaline and Li-Ion battery packs,100-240 VAC charger .....	1,285.00
72-PDC-C	GX-3R Pro,LEL/Oxy/H2S/SO2,with Li-Ion battery & 100-240 VAC charger .....	1,160.00
72-PDC-D	GX-3R Pro,LEL/Oxy/H2S/SO2,with Li-Ion battery & 12 VDC charger .....	1,135.00
72-PDX-A	GX-3R Pro,LEL/Oxy/H2S,with alkaline battery pack .....	795.00
72-PDX-B	GX-3R Pro,LEL/Oxy/H2S,with alkaline and Li-Ion battery packs,100-240 VAC charger .....	1,045.00
72-PDX-C	GX-3R Pro,LEL/Oxy/H2S,with Li-Ion battery & 100-240 VAC charger .....	920.00
72-PDX-D	GX-3R Pro,LEL/Oxy/H2S,with Li-Ion battery & 12 VDC charger .....	895.00
72-PEA-A	GX-3R Pro,LEL/Oxy/CO/CO2(10000 ppm),with alkaline battery pack .....	1,195.00
72-PEA-B	GX-3R Pro,LEL/Oxy/CO/CO2(10000 ppm),with alkaline and Li-Ion battery packs,100-240 VAC charger	1,445.00
72-PEA-C	GX-3R Pro,LEL/Oxy/CO/CO2(10000 ppm),with Li-Ion battery & 100-240 VAC charger .....	1,320.00
72-PEA-D	GX-3R Pro,LEL/Oxy/CO/CO2(10000 ppm),with Li-Ion battery & 12 VDC charger .....	1,295.00
72-PEB-A	GX-3R Pro,LEL/Oxy/CO/CO2(10%),with alkaline battery pack .....	1,195.00
72-PEB-B	GX-3R Pro,LEL/Oxy/CO/CO2(10%),with alkaline and Li-Ion battery packs,100-240 VAC charger .....	1,445.00
72-PEB-C	GX-3R Pro,LEL/Oxy/CO/CO2(10%),with Li-Ion battery & 100-240 VAC charger .....	1,320.00
72-PEB-D	GX-3R Pro,LEL/Oxy/CO/CO2(10%),with Li-Ion battery & 12 VDC charger .....	1,295.00
72-PEC-A	GX-3R Pro,LEL/Oxy/CO/SO2,with alkaline battery pack .....	1,035.00
72-PEC-B	GX-3R Pro,LEL/Oxy/CO/SO2,with alkaline and Li-Ion battery packs,100-240 VAC charger .....	1,285.00
72-PEC-C	GX-3R Pro,LEL/Oxy/CO/SO2,with Li-Ion battery & 100-240 VAC charger.....	1,160.00
72-PEC-D	GX-3R Pro,LEL/Oxy/CO/SO2,with Li-Ion battery & 12 VDC charger .....	1,135.00
72-PED-C	GX-3R Pro,LEL/Oxy/CO/NO2,with Li-Ion battery & 100-240 VAC charger .....	1,160.00
72-PEE-C	GX-3R Pro,LEL/Oxy/CO/HCN,with Li-Ion battery & 100-240 VAC charger.....	1,160.00
72-PEF-C	GX-3R Pro,LEL/Oxy/CO/PH3,with Li-Ion battery & 100-240 VAC charger .....	1,160.00
72-PEG-C	GX-3R Pro,LEL/Oxy/CO/NH3,with Li-Ion battery & 100-240 VAC charger .....	1,160.00
72-PEX-A	GX-3R Pro,LEL/Oxy/CO,with alkaline battery pack .....	795.00
72-PEX-B	GX-3R Pro,LEL/Oxy/CO,with alkaline and Li-Ion battery packs,100-240 VAC charger .....	1,045.00
72-PEX-C	GX-3R Pro,LEL/Oxy/CO,with Li-Ion battery & 100-240 VAC charger .....	920.00
72-PEX-D	GX-3R Pro,LEL/Oxy/CO,with Li-Ion battery & 12 VDC charger .....	895.00
72-PFA-A	GX-3R Pro,LEL/Oxy/CO(-H2)/CO2 (10k ppm),with alkaline battery pack .....	1,365.00
72-PFA-B	GX-3R Pro,LEL/Oxy/CO(-H2)/CO2 (10k ppm),with alkaline and Li-Ion battery packs,100-240 VAC charger	1,615.00
72-PFA-C	GX-3R Pro,LEL/Oxy/CO(-H2)/CO2 (10k ppm),with Li-Ion battery & 100-240 VAC charger .....	1,490.00
72-PFA-D	GX-3R Pro,LEL/Oxy/CO(-H2)/CO2 (10k ppm),with Li-Ion battery & 12 VDC charger .....	1,465.00
72-PFB-A	GX-3R Pro,LEL/Oxy/CO(-H2)/CO2(10%),with alkaline battery pack .....	1,365.00
72-PFB-B	GX-3R Pro,LEL/Oxy/CO(-H2)/CO2(10%),with alkaline and Li-Ion battery packs,100-240 VAC charger ...	1,615.00
72-PFB-C	GX-3R Pro,LEL/Oxy/CO(-H2)/CO2(10%),with Li-Ion battery & 100-240 VAC charger .....	1,490.00
72-PFB-D	GX-3R Pro,LEL/Oxy/CO(-H2)/CO2(10%),with Li-Ion battery & 12 VDC charger .....	1,465.00
72-PFC-A	GX-3R Pro,LEL/Oxy/CO(-H2)/SO2,with alkaline battery pack .....	1,205.00
72-PFC-B	GX-3R Pro,LEL/Oxy/CO(-H2)/SO2,with alkaline and Li-Ion battery packs,100-240 VAC charger .....	1,455.00
72-PFC-C	GX-3R Pro,LEL/Oxy/CO(-H2)/SO2,with Li-Ion battery & 100-240 VAC charger.....	1,330.00

# Numerical Index

Part#	Description	Suggested Retail
72-PFC-D	GX-3R Pro,LEL/Oxy/CO(-H2)/SO2,with Li-Ion battery & 12 VDC charger .....	1,305.00
72-PFX-A	GX-3R Pro,LEL/Oxy/CO(-H2),with alkaline battery pack .....	965.00
72-PFX-B	GX-3R Pro,LEL/Oxy/CO(-H2),with alkaline and Li-Ion battery packs,100-240 VAC charger .....	1,215.00
72-PFX-C	GX-3R Pro,LEL/Oxy/CO(-H2),with Li-Ion battery & 100-240 VAC charger .....	1,090.00
72-PFX-D	GX-3R Pro,LEL/Oxy/CO(-H2),with Li-Ion battery & 12 VDC charger .....	1,065.00
72-PGA-A	GX-3R Pro,LEL/H2S/CO/CO2(10k ppm),with alkaline battery pack .....	1,170.00
72-PGA-B	GX-3R Pro,LEL/H2S/CO/CO2(10k ppm),with alkaline and Li-Ion battery packs,100-240 VAC charger ...	1,420.00
72-PGA-C	GX-3R Pro,LEL/H2S/CO/CO2(10k ppm),with Li-Ion battery & 100-240 VAC charger .....	1,295.00
72-PGA-D	GX-3R Pro,LEL/H2S/CO/CO2(10k ppm),with Li-Ion battery & 12 VDC charger .....	1,270.00
72-PGB-A	GX-3R Pro,LEL/H2S/CO/CO2(10%),with alkaline battery pack .....	1,170.00
72-PGB-B	GX-3R Pro,LEL/H2S/CO/CO2(10%),with alkaline and Li-Ion battery packs,100-240 VAC charger .....	1,420.00
72-PGB-C	GX-3R Pro,LEL/H2S/CO/CO2(10%),with Li-Ion battery & 100-240 VAC charger .....	1,295.00
72-PGB-D	GX-3R Pro,LEL/H2S/CO/CO2(10%),with Li-Ion battery & 12 VDC charger .....	1,270.00
72-PGC-A	GX-3R Pro,LEL/H2S/CO/SO2,with alkaline battery pack .....	1,010.00
72-PGC-B	GX-3R Pro,LEL/H2S/CO/SO2,with alkaline and Li-Ion battery packs,100-240 VAC charger .....	1,260.00
72-PGC-C	GX-3R Pro,LEL/H2S/CO/SO2,with Li-Ion battery & 100-240 VAC charger .....	1,135.00
72-PGC-D	GX-3R Pro,LEL/H2S/CO/SO2,with Li-Ion battery & 12 VDC charger .....	1,110.00
72-PGX-A	GX-3R Pro,LEL/H2S/CO,with alkaline battery pack .....	770.00
72-PGX-B	GX-3R Pro,LEL/H2S/CO,with alkaline and Li-Ion battery packs,100-240 VAC charger .....	1,020.00
72-PGX-C	GX-3R Pro,LEL/H2S/CO,with Li-Ion battery & 100-240 VAC charger .....	895.00
72-PGX-D	GX-3R Pro,LEL/H2S/CO,with Li-Ion battery & 12 VDC charger .....	870.00
72-PHA-A	GX-3R Pro,O2/H2S/CO/CO2(10k ppm),with alkaline battery pack .....	1,170.00
72-PHA-B	GX-3R Pro,O2/H2S/CO/CO2(10k ppm),with alkaline and Li-Ion battery packs,100-240 VAC charger .....	1,420.00
72-PHA-C	GX-3R Pro,O2/H2S/CO/CO2(10k ppm),with Li-Ion battery & 100-240 VAC charger .....	1,295.00
72-PHA-D	GX-3R Pro,O2/H2S/CO/CO2(10k ppm),with Li-Ion battery & 12 VDC charger .....	1,270.00
72-PHB-A	GX-3R Pro,O2/H2S/CO/CO2(10%),with alkaline battery pack .....	1,170.00
72-PHB-B	GX-3R Pro,O2/H2S/CO/CO2(10%),with alkaline and Li-Ion battery packs,100-240 VAC charger .....	1,420.00
72-PHB-C	GX-3R Pro,O2/H2S/CO/CO2(10%),with Li-Ion battery & 100-240 VAC charger .....	1,295.00
72-PHB-D	GX-3R Pro,O2/H2S/CO/CO2(10%),with Li-Ion battery & 12 VDC charger .....	1,270.00
72-PHC-A	GX-3R Pro,O2/H2S/CO/SO2,with alkaline battery pack .....	1,010.00
72-PHC-B	GX-3R Pro,O2/H2S/CO/SO2,with alkaline and Li-Ion battery packs,100-240 VAC charger .....	1,260.00
72-PHC-C	GX-3R Pro,O2/H2S/CO/SO2,with Li-Ion battery & 100-240 VAC charger .....	1,135.00
72-PHC-D	GX-3R Pro,O2/H2S/CO/SO2,with Li-Ion battery & 12 VDC charger .....	1,110.00
72-PHX-A	GX-3R Pro,O2/H2S/CO,with alkaline battery pack .....	770.00
72-PHX-B	GX-3R Pro,O2/H2S/CO,with alkaline and Li-Ion battery packs,100-240 VAC charger .....	1,020.00
72-PHX-C	GX-3R Pro,O2/H2S/CO,with Li-Ion battery & 100-240 VAC charger .....	895.00
72-PHX-D	GX-3R Pro,O2/H2S/CO,with Li-Ion battery & 12 VDC charger .....	870.00
72-PIA-A	GX-3R Pro,LEL/O2/CO2(10k ppm),with alkaline battery pack .....	1,145.00
72-PIA-B	GX-3R Pro,LEL/O2/CO2(10k ppm),with alkaline and Li-Ion battery packs,100-240 VAC charger .....	1,395.00
72-PIA-C	GX-3R Pro,LEL/O2/CO2(10k ppm),with Li-Ion battery & 100-240 VAC charger .....	1,270.00
72-PIA-D	GX-3R Pro,LEL/O2/CO2(10k ppm),with Li-Ion battery & 12 VDC charger .....	1,245.00
72-PIB-A	GX-3R Pro,LEL/O2/CO2(10%),with alkaline battery pack .....	1,145.00
72-PIB-B	GX-3R Pro,LEL/O2/CO2(10%),with alkaline and Li-Ion battery packs,100-240 VAC charger .....	1,395.00
72-PIB-C	GX-3R Pro,LEL/O2/CO2(10%),with Li-Ion battery & 100-240 VAC charger .....	1,270.00
72-PIB-D	GX-3R Pro,LEL/O2/CO2(10%),with Li-Ion battery & 12 VDC charger .....	1,245.00
72-PIC-A	GX-3R Pro,LEL/O2/SO2,with alkaline battery pack .....	985.00
72-PIC-B	GX-3R Pro,LEL/O2/SO2,with alkaline and Li-Ion battery packs,100-240 VAC charger .....	1,235.00
72-PIC-C	GX-3R Pro,LEL/O2/SO2,with Li-Ion battery & 100-240 VAC charger .....	1,110.00
72-PIC-D	GX-3R Pro,LEL/O2/SO2,with Li-Ion battery & 12 VDC charger .....	1,085.00
72-PIE-C	GX-3R Pro,LEL/O2/HCN,with Li-Ion battery & 100-240 VAC charger .....	1,110.00
72-PIX-A	GX-3R Pro,LEL/O2,with alkaline battery pack .....	745.00
72-PIX-B	GX-3R Pro,LEL/O2,with alkaline and Li-Ion battery packs,100-240 VAC charger .....	995.00
72-PIX-C	GX-3R Pro,LEL/O2,with Li-Ion battery & 100-240 VAC charger .....	870.00
72-PIX-D	GX-3R Pro,LEL/O2,with Li-Ion battery & 12 VDC charger .....	845.00
72-PJA-A	GX-3R Pro,LEL/H2S/CO2(10k ppm),with alkaline battery pack .....	1,170.00
72-PJA-B	GX-3R Pro,LEL/H2S/CO2(10k ppm),with alkaline and Li-Ion battery packs,100-240 VAC charger .....	1,420.00
72-PJA-C	GX-3R Pro,LEL/H2S/CO2(10k ppm),with Li-Ion battery & 100-240 VAC charger .....	1,295.00
72-PJA-D	GX-3R Pro,LEL/H2S/CO2(10k ppm),with Li-Ion battery & 12 VDC charger .....	1,270.00
72-PJB-A	GX-3R Pro,LEL/H2S/CO2(10%),with alkaline battery pack .....	1,170.00
72-PJB-B	GX-3R Pro,LEL/H2S/CO2(10%),with alkaline and Li-Ion battery packs,100-240 VAC charger .....	1,420.00
72-PJB-C	GX-3R Pro,LEL/H2S/CO2(10%),with Li-Ion battery & 100-240 VAC charger .....	1,295.00

# Numerical Index

Part#	Description	Suggested Retail
72-PJB-D	GX-3R Pro,LEL/H2S/CO2(10%),with Li-Ion battery & 12 VDC charger .....	1,270.00
72-PJC-A	GX-3R Pro,LEL/H2S/SO2,with alkaline battery pack .....	1,010.00
72-PJC-B	GX-3R Pro,LEL/H2S/SO2,with alkaline and Li-Ion battery packs,100-240 VAC charger .....	1,260.00
72-PJC-C	GX-3R Pro,LEL/H2S/SO2,with Li-Ion battery & 100-240 VAC charger .....	1,135.00
72-PJC-D	GX-3R Pro,LEL/H2S/SO2,with Li-Ion battery & 12 VDC charger .....	1,110.00
72-PJX-A	GX-3R Pro,LEL/H2S,with alkaline battery pack .....	770.00
72-PJX-B	GX-3R Pro,LEL/H2S,with alkaline and Li-Ion battery packs,100-240 VAC charger .....	1,020.00
72-PJX-C	GX-3R Pro,LEL/H2S,with Li-Ion battery & 100-240 VAC charger .....	895.00
72-PJX-D	GX-3R Pro,LEL/H2S,with Li-Ion battery & 12 VDC charger .....	870.00
72-PAK-A	GX-3R Pro,LEL/CO/CO2(10k ppm),with alkaline battery pack .....	1,170.00
72-PAK-B	GX-3R Pro,LEL/CO/CO2(10k ppm),with alkaline and Li-Ion battery packs,100-240 VAC charger .....	1,420.00
72-PAK-C	GX-3R Pro,LEL/CO/CO2(10k ppm),with Li-Ion battery & 100-240 VAC charger .....	1,295.00
72-PAK-D	GX-3R Pro,LEL/CO/CO2(10k ppm),with Li-Ion battery & 12 VDC charger .....	1,270.00
72-PKB-A	GX-3R Pro,LEL/CO/CO2(10%),with alkaline battery pack .....	1,170.00
72-PKB-B	GX-3R Pro,LEL/CO/CO2(10%),with alkaline and Li-Ion battery packs,100-240 VAC charger .....	1,420.00
72-PKB-C	GX-3R Pro,LEL/CO/CO2(10%),with Li-Ion battery & 100-240 VAC charger .....	1,295.00
72-PKB-D	GX-3R Pro,LEL/CO/CO2(10%),with Li-Ion battery & 12 VDC charger .....	1,270.00
72-PKC-A	GX-3R Pro,LEL/CO/SO2,with alkaline battery pack .....	1,010.00
72-PKC-B	GX-3R Pro,LEL/CO/SO2,with alkaline and Li-Ion battery packs,100-240 VAC charger .....	1,260.00
72-PKC-C	GX-3R Pro,LEL/CO/SO2,with Li-Ion battery & 100-240 VAC charger .....	1,135.00
72-PKC-D	GX-3R Pro,LEL/CO/SO2,with Li-Ion battery & 12 VDC charger .....	1,110.00
72-PKX-A	GX-3R Pro,LEL/CO,with alkaline battery pack .....	770.00
72-PKX-B	GX-3R Pro,LEL/CO,with alkaline and Li-Ion battery packs,100-240 VAC charger .....	1,020.00
72-PKX-C	GX-3R Pro,LEL/CO,with Li-Ion battery & 100-240 VAC charger .....	895.00
72-PKX-D	GX-3R Pro,LEL/CO,with Li-Ion battery & 12 VDC charger .....	870.00
72-PLA-A	GX-3R Pro,LEL/CO(-H2)/CO2(10k ppm),with alkaline battery pack .....	1,340.00
72-PLA-B	GX-3R Pro,LEL/CO(-H2)/CO2(10k ppm),with alkaline and Li-Ion battery packs,100-240 VAC charger ...	1,590.00
72-PLA-C	GX-3R Pro,LEL/CO(-H2)/CO2(10k ppm),with Li-Ion battery & 100-240 VAC charger .....	1,465.00
72-PLA-D	GX-3R Pro,LEL/CO(-H2)/CO2(10k ppm),with Li-Ion battery & 12 VDC charger .....	1,440.00
72-PLB-A	GX-3R Pro,LEL/CO(-H2)/CO2(10%),with alkaline battery pack .....	1,340.00
72-PLB-B	GX-3R Pro,LEL/CO(-H2)/CO2(10%),with alkaline and Li-Ion battery packs,100-240 VAC charger .....	1,590.00
72-PLB-C	GX-3R Pro,LEL/CO(-H2)/CO2(10%),with Li-Ion battery & 100-240 VAC charger .....	1,465.00
72-PLB-D	GX-3R Pro,LEL/CO(-H2)/CO2(10%),with Li-Ion battery & 12 VDC charger .....	1,440.00
72-PLC-A	GX-3R Pro,LEL/CO(-H2)/SO2,with alkaline battery pack .....	1,180.00
72-PLC-B	GX-3R Pro,LEL/CO(-H2)/SO2,with alkaline and Li-Ion battery packs,100-240 VAC charger .....	1,430.00
72-PLC-C	GX-3R Pro,LEL/CO(-H2)/SO2,with Li-Ion battery & 100-240 VAC charger .....	1,305.00
72-PLC-D	GX-3R Pro,LEL/CO(-H2)/SO2,with Li-Ion battery & 12 VDC charger .....	1,280.00
72-PLX-A	GX-3R Pro,LEL/CO(-H2),with alkaline battery pack .....	940.00
72-PLX-B	GX-3R Pro,LEL/CO(-H2),with alkaline and Li-Ion battery packs,100-240 VAC charger .....	1,190.00
72-PLX-C	GX-3R Pro,LEL/CO(-H2),with Li-Ion battery & 100-240 VAC charger .....	1,065.00
72-PLX-D	GX-3R Pro,LEL/CO(-H2),with Li-Ion battery & 12 VDC charger .....	1,040.00
72-PMA-A	GX-3R Pro,O2/CO(-H2)/CO2(10k ppm),with alkaline battery pack .....	1,340.00
72-PMA-B	GX-3R Pro,O2/CO(-H2)/CO2(10k ppm),with alkaline and Li-Ion battery packs,100-240 VAC charger ...	1,590.00
72-PMA-C	GX-3R Pro,O2/CO(-H2)/CO2(10k ppm),with Li-Ion battery & 100-240 VAC charger .....	1,465.00
72-PMA-D	GX-3R Pro,O2/CO(-H2)/CO2(10k ppm),with Li-Ion battery & 12 VDC charger .....	1,440.00
72-PMB-A	GX-3R Pro,O2/CO(-H2)/CO2(10%),with alkaline battery pack .....	1,340.00
72-PMB-B	GX-3R Pro,O2/CO(-H2)/CO2(10%),with alkaline and Li-Ion battery packs,100-240 VAC charger .....	1,590.00
72-PMB-C	GX-3R Pro,O2/CO(-H2)/CO2(10%),with Li-Ion battery & 100-240 VAC charger .....	1,465.00
72-PMB-D	GX-3R Pro,O2/CO(-H2)/CO2(10%),with Li-Ion battery & 12 VDC charger .....	1,440.00
72-PMC-A	GX-3R Pro,O2/CO(-H2)/SO2,with alkaline battery pack .....	1,180.00
72-PMC-B	GX-3R Pro,O2/CO(-H2)/SO2,with alkaline and Li-Ion battery packs,100-240 VAC charger .....	1,430.00
72-PMC-C	GX-3R Pro,O2/CO(-H2)/SO2,with Li-Ion battery & 100-240 VAC charger .....	1,305.00
72-PMC-D	GX-3R Pro,O2/CO(-H2)/SO2,with Li-Ion battery & 12 VDC charger .....	1,290.00
72-PMX-A	GX-3R Pro,O2/CO(-H2),with alkaline battery pack .....	940.00
72-PMX-B	GX-3R Pro,O2/CO(-H2),with alkaline and Li-Ion battery packs,100-240 VAC charger .....	1,190.00
72-PMX-C	GX-3R Pro,O2/CO(-H2),with Li-Ion battery & 100-240 VAC charger .....	1,065.00
72-PMX-D	GX-3R Pro,O2/CO(-H2),with Li-Ion battery & 12 VDC charger .....	1,040.00
72-PNA-A	GX-3R Pro,H2S/CO/CO2(10k ppm),with alkaline battery pack .....	1,145.00
72-PNA-B	GX-3R Pro,H2S/CO/CO2(10k ppm),with alkaline and Li-Ion battery packs,100-240 VAC charger .....	1,395.00
72-PNA-C	GX-3R Pro,H2S/CO/CO2(10k ppm),with Li-Ion battery & 100-240 VAC charger .....	1,270.00
72-PNA-D	GX-3R Pro,H2S/CO/CO2(10k ppm),with Li-Ion battery & 12 VDC charger .....	1,245.00

# Numerical Index

Part#	Description	Suggested Retail
72-PNB-A	GX-3R Pro,H2S/CO/CO2(10%),with alkaline battery pack.....	1,145.00
72-PNB-B	GX-3R Pro,H2S/CO/CO2(10%),with alkaline and Li-Ion battery packs,100-240 VAC charger .....	1,395.00
72-PNB-C	GX-3R Pro,H2S/CO/CO2(10%),with Li-Ion battery & 100-240 VAC charger .....	1,270.00
72-PNB-D	GX-3R Pro,H2S/CO/CO2(10%),with Li-Ion battery & 12 VDC charger .....	1,245.00
72-PNC-A	GX-3R Pro,H2S/CO/SO2,with alkaline battery pack .....	985.00
72-PNC-B	GX-3R Pro,H2S/CO/SO2,with alkaline and Li-Ion battery packs,100-240 VAC charger .....	1,235.00
72-PNC-C	GX-3R Pro,H2S/CO/SO2,with Li-Ion battery & 100-240 VAC charger .....	1,110.00
72-PNC-D	GX-3R Pro,H2S/CO/SO2,with Li-Ion battery & 12 VDC charger.....	1,085.00
72-PNX-A	GX-3R Pro,H2S/CO,with alkaline battery pack .....	745.00
72-PNX-B	GX-3R Pro,H2S/CO,with alkaline and Li-Ion battery packs,100-240 VAC charger .....	995.00
72-PNX-C	GX-3R Pro,H2S/CO,with Li-Ion battery & 100-240 VAC charger .....	870.00
72-PNX-D	GX-3R Pro,H2S/CO,with Li-Ion battery & 12 VDC charger .....	845.00
72-POA-A	GX-3R Pro,LEL/CO2(10k ppm),with alkaline battery pack .....	1,120.00
72-POA-B	GX-3R Pro,LEL/CO2(10k ppm),with alkaline and Li-Ion battery packs,100-240 VAC charger .....	1,370.00
72-POA-C	GX-3R Pro,LEL/CO2(10k ppm),with Li-Ion battery & 100-240 VAC charger .....	1,245.00
72-POA-D	GX-3R Pro,LEL/CO2(10k ppm),with Li-Ion battery & 12 VDC charger .....	1,220.00
72-POB-A	GX-3R Pro,LEL/CO2(10%),with alkaline battery pack .....	1,120.00
72-POB-B	GX-3R Pro,LEL/CO2(10%),with alkaline and Li-Ion battery packs,100-240 VAC charger .....	1,370.00
72-POB-C	GX-3R Pro,LEL/CO2(10%),with Li-Ion battery & 100-240 VAC charger .....	1,245.00
72-POB-D	GX-3R Pro,LEL/CO2(10%),with Li-Ion battery & 12 VDC charger .....	1,220.00
72-POC-A	GX-3R Pro,LEL/SO2,with alkaline battery pack .....	960.00
72-POC-B	GX-3R Pro,LEL/SO2,with alkaline and Li-Ion battery packs,100-240 VAC charger .....	1,210.00
72-POC-C	GX-3R Pro,LEL/SO2,with Li-Ion battery & 100-240 VAC charger .....	1,085.00
72-POC-D	GX-3R Pro,LEL/SO2,with Li-Ion battery & 12 VDC charger .....	1,060.00
72-POX-A	GX-3R Pro,LEL,with alkaline battery pack .....	720.00
72-POX-B	GX-3R Pro,LEL,with alkaline and Li-Ion battery packs,100-240 VAC charger .....	970.00
72-POX-C	GX-3R Pro,LEL,with Li-Ion battery & 100-240 VAC charger .....	845.00
72-POX-D	GX-3R Pro,LEL,with Li-Ion battery & 12 VDC charger .....	820.00
72-PPA-A	GX-3R Pro,O2/CO2(10k ppm),with alkaline battery pack .....	1,120.00
72-PPA-B	GX-3R Pro,O2/CO2(10k ppm),with alkaline and Li-Ion battery packs,100-240 VAC charger .....	1,370.00
72-PPA-C	GX-3R Pro,O2/CO2(10k ppm),with Li-Ion battery & 100-240 VAC charger .....	1,245.00
72-PPA-D	GX-3R Pro,O2/CO2(10k ppm),with Li-Ion battery & 12 VDC charger .....	1,220.00
72-PPB-A	GX-3R Pro,O2/CO2(10%),with alkaline battery pack.....	1,120.00
72-PPB-B	GX-3R Pro,O2/CO2(10%),with alkaline and Li-Ion battery packs,100-240 VAC charger .....	1,370.00
72-PPB-C	GX-3R Pro,O2/CO2(10%),with Li-Ion battery & 100-240 VAC charger .....	1,245.00
72-PPB-D	GX-3R Pro,O2/CO2(10%),with Li-Ion battery & 12 VDC charger .....	1,220.00
72-PPB-E	GX-3R Pro,O2/CO2(10%),with Li-Ion battery .....	1,195.00
72-PPC-A	GX-3R Pro,O2/SO2,with alkaline battery pack .....	960.00
72-PPC-B	GX-3R Pro,O2/SO2,with alkaline and Li-Ion battery packs,100-240 VAC charger .....	1,210.00
72-PPC-C	GX-3R Pro,O2/SO2,with Li-Ion battery & 100-240 VAC charger .....	1,080.00
72-PPC-D	GX-3R Pro,O2/SO2,with Li-Ion battery & 12 VDC charger.....	1,060.00
72-PPX-A	GX-3R Pro,O2,with alkaline battery pack .....	720.00
72-PPX-B	GX-3R Pro,O2,with alkaline and Li-Ion battery packs,100-240 VAC charger .....	970.00
72-PPX-C	GX-3R Pro,O2,with Li-Ion battery & 100-240 VAC charger .....	845.00
72-PPX-D	GX-3R Pro,O2,with Li-Ion battery & 12 VDC charger .....	820.00
72-PQA-A	GX-3R Pro,H2S/CO2(10k ppm),with alkaline battery pack .....	1,145.00
72-PQA-B	GX-3R Pro,H2S/CO2(10k ppm),with alkaline and Li-Ion battery packs,100-240 VAC charger .....	1,395.00
72-PQA-C	GX-3R Pro,H2S/CO2(10k ppm),with Li-Ion battery & 100-240 VAC charger .....	1,270.00
72-PQA-D	GX-3R Pro,H2S/CO2(10k ppm),with Li-Ion battery & 12 VDC charger .....	1,245.00
72-PQB-A	GX-3R Pro,H2S/CO2(10%),with alkaline battery pack .....	1,145.00
72-PQB-B	GX-3R Pro,H2S/CO2(10%),with alkaline and Li-Ion battery packs,100-240 VAC charger.....	1,395.00
72-PQB-C	GX-3R Pro,H2S/CO2(10%),with Li-Ion battery & 100-240 VAC charger .....	1,270.00
72-PQB-D	GX-3R Pro,H2S/CO2(10%),with Li-Ion battery & 12 VDC charger .....	1,245.00
72-PQC-A	GX-3R Pro,H2S/SO2,with alkaline battery pack.....	985.00
72-PQC-B	GX-3R Pro,H2S/SO2,with alkaline and Li-Ion battery packs,100-240 VAC charger .....	1,235.00
72-PQC-C	GX-3R Pro,H2S/SO2,with Li-Ion battery & 100-240 VAC charger .....	1,110.00
72-PQC-D	GX-3R Pro,H2S/SO2,with Li-Ion battery & 12 VDC charger .....	1,085.00
72-PQX-A	GX-3R Pro,H2S,with alkaline battery pack.....	745.00
72-PQX-B	GX-3R Pro,H2S,with alkaline and Li-Ion battery packs,100-240 VAC charger .....	995.00
72-PQX-C	GX-3R Pro,H2S,with Li-Ion battery & 100-240 VAC charger .....	870.00
72-PQX-D	GX-3R Pro,H2S,with Li-Ion battery & 12 VDC charger .....	845.00

# Numerical Index

Part#	Description	Suggested Retail
72-PRA-A	GX-3R Pro,CO/CO2(10k ppm),with alkaline battery pack .....	1,145.00
72-PRA-B	GX-3R Pro,CO/CO2(10k ppm),with alkaline and Li-Ion battery packs,100-240 VAC charger .....	1,395.00
72-PRA-C	GX-3R Pro,CO/CO2(10k ppm),with Li-Ion battery & 100-240 VAC charger .....	1,270.00
72-PRA-D	GX-3R Pro,CO/CO2(10k ppm),with Li-Ion battery & 12 VDC charger .....	1,245.00
72-PRB-A	GX-3R Pro,CO/CO2(10%),with alkaline battery pack.....	1,145.00
72-PRB-B	GX-3R Pro,CO/CO2(10%),with alkaline and Li-Ion battery packs,100-240 VAC charger .....	1,420.00
72-PRB-C	GX-3R Pro,CO/CO2(10%),with Li-Ion battery & 100-240 VAC charger .....	1,270.00
72-PRB-D	GX-3R Pro,CO/CO2(10%),with Li-Ion battery & 12 VDC charger .....	1,245.00
72-PRC-A	GX-3R Pro,CO/SO2 with alkaline battery pack .....	985.00
72-PRC-B	GX-3R Pro,CO/SO2 with alkaline and Li-Ion battery packs,100-240 VAC charger .....	1,235.00
72-PRC-C	GX-3R Pro,CO/SO2 with Li-Ion battery & 100-240 VAC charger .....	1,110.00
72-PRC-D	GX-3R Pro,CO/SO2 with Li-Ion battery & 12 VDC charger.....	1,085.00
72-PRE-C	GX-3R Pro,CO/H2Cn,with Li-Ion battery & 100-240 VAC charger .....	1,110.00
72-PRX-A	GX-3R Pro,CO,with alkaline battery pack .....	745.00
72-PRX-B	GX-3R Pro,CO,with alkaline and Li-Ion battery packs,100-240 VAC charger .....	995.00
72-PRX-C	GX-3R Pro,CO,with Li-Ion battery & 100-240 VAC charger .....	870.00
72-PRX-D	GX-3R Pro,CO,with Li-Ion battery & 12 VDC charger .....	845.00
72-PSA-A	GX-3R Pro,CO(-H2)/CO2(10k ppm),with alkaline battery pack .....	1,335.00
72-PSA-B	GX-3R Pro,CO(-H2)/CO2(10k ppm),with alkaline and Li-Ion battery packs,100-240 VAC charger .....	1,585.00
72-PSA-C	GX-3R Pro,CO(-H2)/CO2(10k ppm),with Li-Ion battery & 100-240 VAC charger .....	1,460.00
72-PSA-D	GX-3R Pro,CO(-H2)/CO2(10k ppm),with Li-Ion battery & 12 VDC charger .....	1,435.00
72-PSB-A	GX-3R Pro,CO(-H2)/CO2(10%),with alkaline battery pack .....	1,335.00
72-PSB-B	GX-3R Pro,CO(-H2)/CO2(10%),with alkaline and Li-Ion battery packs,100-240 VAC charger .....	1,585.00
72-PSB-C	GX-3R Pro,CO(-H2)/CO2(10%),with Li-Ion battery & 100-240 VAC charger .....	1,460.00
72-PSB-D	GX-3R Pro,CO(-H2)/CO2(10%),with Li-Ion battery & 12 VDC charger .....	1,435.00
72-PSC-A	GX-3R Pro,CO(-H2)/SO2,with alkaline battery pack .....	1,155.00
72-PSC-B	GX-3R Pro,CO(-H2)/SO2,with alkaline and Li-Ion battery packs,100-240 VAC charger .....	1,405.00
72-PSC-C	GX-3R Pro,CO(-H2)/SO2,with Li-Ion battery & 100-240 VAC charger .....	1,280.00
72-PSC-D	GX-3R Pro,CO(-H2)/SO2,with Li-Ion battery & 12 VDC charger.....	1,255.00
72-PSX-A	GX-3R Pro,CO(-H2),with alkaline battery pack .....	915.00
72-PSX-B	GX-3R Pro,CO(-H2),with alkaline and Li-Ion battery packs,100-240 VAC charger .....	1,165.00
72-PSX-C	GX-3R Pro,CO(-H2),with Li-Ion battery & 100-240 VAC charger .....	1,040.00
72-PSX-D	GX-3R Pro,CO(-H2),with Li-Ion battery & 12 VDC charger.....	1,015.00
72-PTA-A	GX-3R Pro,O2/H2S/CO2(10k ppm),with alkaline battery pack .....	1,145.00
72-PTA-B	GX-3R Pro,O2/H2S/CO2(10k ppm),with alkaline and Li-Ion battery packs,100-240 VAC charger .....	1,395.00
72-PTA-C	GX-3R Pro,O2/H2S/CO2(10k ppm),with Li-Ion battery & 100-240 VAC charger .....	1,270.00
72-PTA-D	GX-3R Pro,O2/H2S/CO2(10k ppm),with Li-Ion battery & 12 VDC charger .....	1,245.00
72-PTB-A	GX-3R Pro,O2/H2S/CO2(10%),with alkaline battery pack.....	1,145.00
72-PTB-B	GX-3R Pro,O2/H2S/CO2(10%),with alkaline and Li-Ion battery packs,100-240 VAC charger .....	1,395.00
72-PTB-C	GX-3R Pro,O2/H2S/CO2(10%),with Li-Ion battery & 100-240 VAC charger .....	1,270.00
72-PTB-D	GX-3R Pro,O2/H2S/CO2(10%),with Li-Ion battery & 12 VDC charger .....	1,245.00
72-PTC-A	GX-3R Pro,O2/H2S/SO2,with alkaline battery pack .....	985.00
72-PTC-B	GX-3R Pro,O2/H2S/SO2,with alkaline and Li-Ion battery packs,100-240 VAC charger .....	1,235.00
72-PTC-C	GX-3R Pro,O2/H2S/SO2,with Li-Ion battery & 100-240 VAC charger .....	1,110.00
72-PTC-D	GX-3R Pro,O2/H2S/SO2,with Li-Ion battery & 12 VDC charger .....	1,085.00
72-PTX-A	GX-3R Pro,O2/H2S,with alkaline battery pack .....	745.00
72-PTX-B	GX-3R Pro,O2/H2S,with alkaline and Li-Ion battery packs,100-240 VAC charger .....	995.00
72-PTX-C	GX-3R Pro,O2/H2S,with Li-Ion battery & 100-240 VAC charger .....	870.00
72-PTX-D	GX-3R Pro,O2/H2S,with Li-Ion battery & 12 VDC charger .....	845.00
72-PUA-A	GX-3R Pro,Oxy/CO/CO2(10000 ppm),with alkaline battery pack .....	1,145.00
72-PUA-B	GX-3R Pro,Oxy/CO/CO2(10000 ppm),with alkaline and Li-Ion battery packs,100-240 VAC charger .....	1,395.00
72-PUA-C	GX-3R Pro,Oxy/CO/CO2(10000 ppm),with Li-Ion battery & 100-240 VAC charger .....	1,270.00
72-PUA-D	GX-3R Pro,Oxy/CO/CO2(10000 ppm),with Li-Ion battery & 12 VDC charger .....	1,245.00
72-PUB-A	GX-3R Pro,O2/CO/CO2(10%),with alkaline battery pack .....	1,145.00
72-PUB-B	GX-3R Pro,O2/CO/CO2(10%),with alkaline and Li-Ion battery packs,100-240 VAC charger .....	1,395.00
72-PUB-C	GX-3R Pro,O2/CO/CO2(10%),with Li-Ion battery & 100-240 VAC charger .....	1,270.00
72-PUB-D	GX-3R Pro,O2/CO/CO2(10%),with Li-Ion battery & 12 VDC charger.....	1,245.00
72-PUC-A	GX-3R Pro,O2/CO/SO2,with alkaline battery pack .....	985.00
72-PUC-B	GX-3R Pro,O2/CO/SO2,with alkaline and Li-Ion battery packs,100-240 VAC charger .....	1,235.00
72-PUC-C	GX-3R Pro,O2/CO/SO2,with Li-Ion battery & 100-240 VAC charger .....	1,110.00
72-PUC-D	GX-3R Pro,O2/CO/SO2,with Li-Ion battery & 12 VDC charger .....	1,085.00



# Numerical Index

<b>Part#</b>	<b>Description</b>	<b>Suggested Retail</b>
72-PUG-C	GX-3R Pro,O2/CO/NH3,with Li-Ion battery & 100-240 VAC charger .....	1,110.00
72-PUX-A	GX-3R Pro,O2/CO,with alkaline battery pack.....	745.00
72-PUX-B	GX-3R Pro,O2/CO,with alkaline and Li-Ion battery packs,100-240 VAC charger .....	995.00
72-PUX-C	GX-3R Pro,O2/CO,with Li-Ion battery & 100-240 VAC charger .....	870.00
72-PUX-D	GX-3R Pro,O2/CO,with Li-Ion battery & 12 VDC charger .....	845.00
72-PWB-C	GX-3R Pro,Oxy/SO2/CO2(10%),with Li-Ion battery & 100-240 VAC charger .....	1,440.00
72-PXA-A	GX-3R Pro,CO2(10000 ppm),with alkaline battery pack .....	1,095.00
72-PXA-B	GX-3R Pro,CO2(10000 ppm),with alkaline and Li-Ion battery packs,100-240 VAC charger.....	1,345.00
72-PXA-C	GX-3R Pro,CO2(10000 ppm),with Li-Ion battery & 100-240 VAC charger.....	1,220.00
72-PXA-D	GX-3R Pro,CO2(10000 ppm),with Li-Ion battery & 12 VDC charger .....	1,195.00
72-PXA-F	GX-3R Pro,CO2(10000 ppm),with Li-Ion battery/100-240 VAC & 12 VDC chargers .....	1,245.00
72-PXB-A	GX-3R Pro,CO2(10%),with alkaline battery pack .....	1,095.00
72-PXB-B	GX-3R Pro,CO2(10%),with alkaline and Li-Ion battery packs,100-240 VAC charger.....	1,345.00
72-PXB-C	GX-3R Pro, 1 gas, % CO2 0-10% volume with 100-240 VAC charger.....	1,220.00
72-PXB-D	GX-3R Pro,CO2(10%),with Li-Ion battery & 12 VDC charger .....	1,195.00
72-PXC-A	GX-3R Pro,SO2,with alkaline battery pack.....	935.00
72-PXC-B	GX-3R Pro,SO2,with alkaline and Li-Ion battery packs,100-240 VAC charger .....	1,185.00
72-PXC-C	GX-3R Pro,SO2,with Li-Ion battery & 100-240 VAC charger .....	1,060.00
72-PXC-D	GX-3R Pro,SO2,with Li-Ion battery & 12 VDC charger .....	1,035.00
72-RA-C	GX-3R, 4 gas, LEL / O2 / combo H2S & CO with 100-240 VAC charger .....	595.00
72-RA-C-50	GX-3R for LEL/O2/CO/H2S bundled with 100-240 VAC charger, screwdriver and carrying case .....	680.00
72-RA-C-51	GX-3R for LEL/O2/CO/H2S bundled with hand aspirator, 100-240 VAC charger, screwdriver and carrying case .....	875.00
72-RA-C-56	GX-3R for LEL/O2/CO/H2S bundled with 100-240 VAC charger, 34AL cylinder CH4/O2/H2S/CO, 0.25 LPM regulator, tubing, screwdriver, and carrying case .....	1,070.00
72-RA-C-56-H	GX-3R,LEL/Oxy/H2S/CO,with alligator clip/100-240 VAC charger,hexane cal kit.....	1,070.00
72-RA-C-56-PEN	GX-3R,LEL/Oxy/H2S/CO,with alligator clip/100-240 VAC charger,pentane cal kit .....	1,060.00
72-RA-C-58	GX-3R for LEL/O2/CO/H2S bundled with RP-3R, 10' hose & probe, 100-240 VAC charger, screwdriver and carrying case .....	1,135.00
72-RA-C-59	GX-3R for LEL/O2/CO/H2S bundled with RP-3R, 10' hose & probe, 100-240 VAC charger, 34AL cylinder CH4/O2/H2S/CO, 0.25 LPM regulator, tubing, screwdriver, and carrying case .....	1,490.00
72-RA-C-59-NGR	GX-3R confined space kit,LEL/Oxy/H2S/CO,pump with 10 ft hose and probe,3 ft tube,no gas or regulator .....	1,205.00
72-RA-C-MED	GX-3R, 4 gas, LEL / O2 / combo H2S & CO with 100-240 VAC charger with MED version .....	795.00
72-RA-D	GX-3R,LEL/Oxy/H2S/CO,with alligator clip/12 VDC charger.....	595.00
72-RA-D-58	GX-3R confined space kit,LEL/Oxy/H2S/CO,pump with 10 ft hose and probe .....	1,120.00
72-RA-D-CSU	GX-3R,LEL/Oxy/H2S/CO,with alligator clip/12 VDC charger, w/CSU settings .....	595.00
72-RA-E	GX-3R,LEL/Oxy/H2S/CO,with alligator clip,no charger .....	545.00
72-RA-F	GX-3R,LEL/Oxy/H2S/CO,with alligator clip/100-240 VAC & 12 VDC chargers .....	645.00
72-RB-C	GX-3R, 3 gas, LEL / O2 / H2S with 100-240 VAC charger .....	595.00
72-RC-C	GX-3R, 3 gas, LEL / O2 / CO with 100-240 VAC charger.....	595.00
72-RC-E	GX-3R,LEL/Oxy/CO,with alligator clip,no charger .....	545.00
72-RD-C	GX-3R,LEL/Oxy/CO(H2 compensated),with alligator clip/100-240 VAC charger .....	765.00
72-RG-C	GX-3R, 2 gas, LEL / O2 with 100-240 VAC charger .....	545.00
72-RH-C	GX-3R,LEL/H2S,with alligator clip/100-240 VAC charger .....	570.00
72-RI-C	GX-3R, 2 gas, LEL / CO with 100-240 VAC charger.....	570.00
72-RL-C	GX-3R,CO/H2S,with alligator clip/100-240 VAC charger .....	545.00
72-RM-C	GX-3R,LEL,with alligator clip/100-240 VAC charger .....	520.00
72-RN-C	GX-3R,Oxy,with alligator clip/100-240 VAC charger .....	520.00
72-RQ-C	GX-3R,CO(H2 compensated),with alligator clip/100-240 VAC charger .....	715.00
72-RR-C	GX-3R,Oxy/CO,with alligator clip/100-240 VAC charger .....	570.00
721-001	EAGLE 2 for LEL & PPM .....	1,945.00
721-001-H2	EAGLE 2 for LEL & PPM (Hydrogen (H2) specific) .....	2,045.00
721-001-H2-ID	E2,LEL(CAT H2 specific),with internal LEL dilution .....	2,245.00
721-001-ID	E2,LEL(CAT),with internal LEL dilution .....	2,145.00
721-001-IR	EAGLE 2 for LEL Methane only, with IR sensor .....	2,595.00
721-001-M21	E2,PPM CAT,methane calibration,not field upgradeable to other gases .....	1,895.00
721-001-T	EAGLE 2 for LEL / PPM, with teflon hose, for heavy hydrocarbons (specify calibration) .....	2,045.00
721-001-TT	EAGLE 2 for LEL / PPM, Tank Tester version, float probe included .....	2,445.00
721-002	EAGLE 2 for O2 (0 - 40% volume) .....	1,945.00
721-002-M	EAGLE 2 for O2 (0 - 40% volume), marine version, with internal oil mist filter .....	1,975.00

# Numerical Index

Part#	Description	Suggested Retail
721-003	EAGLE 2 for Hydrogen Sulfide (H2S), 0 - 100 ppm	1,945.00
721-003-1K	E2,Hydrogen Sulfide (H2S),0-1000 ppm	2,195.00
721-005	EAGLE 2 for Sulfur Dioxide (SO2), 0 - 6.0 ppm	2,195.00
721-006	EAGLE 2 for Chlorine (Cl2), 0 - 3 ppm	2,195.00
721-007	EAGLE 2 for Arsine (AsH3), 0 - 1.5 ppm	2,195.00
721-008	EAGLE 2 for Phosphine (PH3), 0 - 1.0 ppm	2,195.00
721-011	EAGLE 2 for Ammonia (NH3), 0 - 75 ppm	2,195.00
721-015-02	EAGLE 2 for Carbon Dioxide CO2, (0 - 10,000 ppm)	2,595.00
721-015-03	EAGLE 2 for Carbon Dioxide CO2, (5% volume)	2,595.00
721-015-05	EAGLE 2 for Carbon Dioxide CO2, (60% volume)	2,595.00
721-020	EAGLE 2 for Methane (CH4) (100% LEL / 100% volume (IR), autoranging)	2,595.00
721-021	EAGLE 2 for Hydrocarbons (HC) 100% LEL / 30% volume (IR), autoranging	2,595.00
721-023	EAGLE 2 for Hydrogen Cyanide (HCN), 0 - 15 ppm	2,195.00
721-101-P1	EAGLE 2 for VOC's 0 - 50 ppm, (PID)	3,445.00
721-101-P2	EAGLE 2 for VOC's 0 - 2,000 ppm, (PID)	3,145.00
721-102-10	EAGLE 2 for Hydrogen H2 10% volume, (TC)	2,245.00
721-102-20	EAGLE 2 for Hydrogen H2 100% volume, (TC)	2,245.00
721-102-30	EAGLE 2 for Methane, 0 - 100% volume, (TC)	2,245.00
722-001	EAGLE 2 for LEL & PPM / O2	2,095.00
722-001-H2	EAGLE 2 for LEL & PPM (Hydrogen (H2) specific) / O2	2,195.00
722-001-H2-ID	E2,LEL(CAT H2 specific)/Oxygen,with internal LEL dilution	2,395.00
722-001-ID	E2,LEL(CAT)/Oxygen,with internal LEL dilution	2,295.00
722-001-IR	EAGLE 2 for LEL CH4 (IR) / O2	2,795.00
722-001-T	EAGLE 2 for LEL & PPM / O2 with teflon hose for heavy hydrocarbons (Specify calibration)	2,195.00
722-001-TR1	EAGLE 2 for H2 (0 - 5%) / O2, for transformer gas testing, with sample bag & dilution fitting	2,195.00
722-001-TT	EAGLE 2 for LEL & PPM / O2, tank testing version, includes float probe assembly and dilution fitting	2,545.00
722-002	EAGLE 2 for LEL & PPM / CO	2,095.00
722-003	EAGLE 2 for LEL & PPM / H2S	2,095.00
722-004	EAGLE 2 for O2 / CO	2,095.00
722-005	EAGLE 2 for O2 / H2S	2,095.00
722-010	EAGLE 2 for LEL & PPM / NH3	2,395.00
722-011	EAGLE 2 for Cl2 / NH3	2,645.00
722-015	E2,NH3/PH3	2,645.00
722-022-02	EAGLE 2 for O2 / CO2 10,000 ppm (IR)	2,795.00
722-022-03	EAGLE 2 for O2 / CO2 5% volume (IR)	2,795.00
722-022-05	EAGLE 2 for O2 / CO2 60% volume (IR)	2,795.00
722-022-05-01	EAGLE 2,Oxy(0-100% vol)/CO2(IR 0-60%vol)	2,795.00
722-023-02	EAGLE 2 for NH3 / CO2 10,000 ppm (IR)	3,045.00
722-029	EAGLE 2 for Cl2 / SO2	2,645.00
722-035	EAGLE 2 for H2S / CO	2,095.00
722-036	EAGLE 2 for HCN / NH3	2,645.00
722-037	EAGLE 2 for H2S / SO2	2,645.00
722-038	EAGLE 2 for LEL & PPM (catalytic) / CH4 (100% LEL / 100% volume (IR) autoranging)	2,795.00
722-038-H2	EAGLE 2 for LEL & PPM Hydrogen (H2 specific) (catalytic) / CH4 (100% LEL / 100% volume (IR) autoranging)	2,895.00
722-038-H2-ID	E2,LEL(CAT H2 specific)/CH4(IR Autoranging %LEL/%vol),internal LEL cat dilution	3,095.00
722-038-ID	E2,LEL(CAT)/CH4(IR Autoranging %LEL/%vol),internal LEL cat dilution	2,995.00
722-043-02	EAGLE 2 for LEL & PPM / CO2 10,000 ppm (IR)	2,795.00
722-043-02-H2	E2,LEL(CAT H2 specific)/CO2(IR 0-10,000ppm)	2,895.00
722-043-03	EAGLE 2 for LEL & PPM / CO2 5% volume (IR)	2,795.00
722-043-03-H2	E2,LEL(CAT H2 specific)/CO2(IR 0-5%vol)	2,895.00
722-043-05	EAGLE 2 for LEL & PPM / CO2 60% volume (IR)	2,795.00
722-045	EAGLE 2 for CH4 (100% LEL / 100% volume (IR) autoranging) / O2	2,795.00
722-045-05	EAGLE 2 for CH4 100% volume (IR) / O2	2,795.00
722-049	EAGLE 2 for H2S / NH3	2,395.00
722-059	EAGLE 2 for O2 / NH3	2,395.00
722-062	EAGLE 2 for LEL & PPM / AsH3	2,395.00
722-065-02	EAGLE 2 for H2S / CO2 10,000 ppm (IR)	2,795.00
722-065-03	EAGLE 2 for H2S / CO2 5% volume (IR)	2,795.00
722-065-05	EAGLE 2 for H2S / CO2 60% volume (IR)	2,795.00
722-068	EAGLE 2 for Hydrocarbons HC (100% LEL / 30% volume (IR) autoranging) / O2	2,795.00

# Numerical Index

Part#	Description	Suggested Retail
722-072	EAGLE 2 for SO2 / NH3 .....	2,645.00
722-073	EAGLE 2 for CH4 (100% LEL / 100 % volume (IR) autoranging) / H2S (0 - 100 ppm) .....	2,795.00
722-090-05	EAGLE 2 for CH4 (100% LEL / 100% volume (IR) auto-ranging) / CO2 60% volume (IR) .....	3,445.00
722-096	EAGLE 2 for LEL & PPM / Cl2 .....	2,395.00
722-096-H2	E2,LEL(CAT H2 Specific)/Cl2 .....	2,495.00
722-101-P1	EAGLE 2 for LEL & PPM / VOC's 0 - 50 ppm (PID) .....	3,645.00
722-101-P2	EAGLE 2 for LEL & PPM / VOC's 0 - 2,000 ppm (PID) .....	3,345.00
722-101-P2-H2	EAGLE 2 for LEL & PPM Hydrogen (H2 specific) (catalytic) / VOC's (0 - 2,000 ppm, PID) .....	3,445.00
722-102-10	EAGLE 2 for LEL & PPM (catalytic) / Hydrogen H2 0 - 10% volume (TC) .....	2,445.00
722-102-20	EAGLE 2 for LEL & PPM (catalytic) / Hydrogen H2 0 - 100% volume (TC) .....	2,445.00
722-102-20-H2	EAGLE 2 for LEL & PPM (catalytic Hydrogen specific) / Hydrogen H20 - 100% volume (TC) .....	2,545.00
722-102-20-H2ID	E2,LEL(CAT H2 Specific)/H2(TC 0-100%vol),with internal LEL dilution .....	2,795.00
722-102-30	EAGLE 2 for LEL & PPM (catalytic) / Methane CH4 0 - 100% volume (TC) .....	2,445.00
722-103-10	EAGLE 2 for LEL Hydrogen (H2), 0 - 10% volume, (TC) / O2 .....	2,445.00
722-103-20	EAGLE 2 for LEL Hydrogen (H2), 0 - 100% volume, (TC) / O2 .....	2,445.00
722-103-20-100	EAGLE 2 for LEL Hydrogen (H2), 0 - 100% volume, (TC) / O2, 0 - 100% volume .....	2,545.00
722-103-30	EAGLE 2 for Methane CH4 100% volume (TC) / O2 .....	2,445.00
722-104	EAGLE 2 for LEL & PPM (catalytic) / Hydrocarbons HC (100% LEL / 30% volume (IR) autoranging) .....	2,795.00
722-104-IBU	EAGLE 2 for LEL Isobutane (catalytic) / Hydrocarbons HC (100% LEL / 30% volume (IR) autoranging) ...	2,795.00
722-105-P2	EAGLE 2 for VOC's 0 - 2,000 ppm (PID) / SO2 .....	3,595.00
722-107-02-P2	EAGLE 2 for CO2 60% volume (IR) / VOC's 0 - 2,000 ppm (PID) .....	3,995.00
722-108-20	EAGLE 2 for Methane (100% LEL / 100% volume (IR), autoranging) / Hydrogen (H2), 0 - 100% volume, (TC) .....	3,095.00
722-109-P2	EAGLE 2 for H2S / VOC's 0 - 2,000 ppm (PID) .....	3,345.00
722-109-P2-1K	E2,H2S(0-1000 ppm)/VOC(PID 0-2,000ppm) .....	3,595.00
722-110-P2	E2,CO/VOC(PID 0-2,000ppm) .....	3,345.00
722-111	E2,HC(IR Autoranging %LEL/%vol)/CH4(IR Autoranging %LEL/%vol) .....	3,445.00
722-112-H2	EAGLE 2 for LEL & PPM (Hydrogen (H2) specific) / CH4 100% LEL (IR) .....	2,895.00
722-113-P2	EAGLE 2 for VOC's 0 - 2,000 ppm (PID) / PH3 .....	3,595.00
722-114-10-20	EAGLE 2 for Hydrogen H2 10% volume (TC) / Hydrogen H2 0 - 100% volume (TC) .....	2,745.00
722-115-P2	EAGLE 2 for VOC's 0 - 2,000 ppm (PID) / AsH3 .....	3,595.00
722-116	EAGLE 2 for O2 / SO2 .....	2,395.00
722-117-P2	EAGLE 2 for CH4 (100% LEL / 100% volume (IR) auto-ranging) / VOC's (0 - 2,000 ppm PID) .....	3,995.00
722-118	EAGLE 2 for LEL & PPM / SO2 .....	2,395.00
722-119-P1	E2,VOC(PID 0-50ppm)/NH3 .....	3,895.00
722-119-P2	E2,VOC(PID 0-2000 ppm)/NH3 .....	3,595.00
722-120-P2	E2,HC(IR %LEL)/VOC(PID 0-2,000ppm) .....	3,995.00
723-001	EAGLE 2 for LEL & PPM / O2 / H2S .....	2,245.00
723-001-H2	EAGLE 2 for LEL & PPM H2 (catalytic) / O2 / H2S .....	2,345.00
723-001-IR-CAT	E2,CH4(IR %LEL)/Oxy/H2S,Catalyst Applications .....	2,995.00
723-002	EAGLE 2 for LEL & PPM / O2 / CO .....	2,245.00
723-002-IR-CAT	E2,CH4(IR %LEL)/Oxy/CO,Catalyst Applications .....	2,995.00
723-005	EAGLE 2 for LEL & PPM / O2 / PH3 .....	2,545.00
723-007	EAGLE 2 for LEL & PPM / O2 / NH3 .....	2,545.00
723-007-H2	E2,LEL(CAT)/Oxy/NH3 .....	2,545.00
723-007-ID	E2,LEL(CAT)/Oxygen/NH3,with internal catalytic LELdilution .....	2,745.00
723-008	EAGLE 2 for LEL & PPM / O2 / Cl2 .....	2,545.00
723-016-02	EAGLE 2 for LEL & PPM / O2 / CO2 10,000 ppm (IR) .....	2,945.00
723-016-03	EAGLE 2 for LEL & PPM / O2 / CO2 5% volume (IR) .....	2,945.00
723-016-03-H2	E2,LEL(CAT H2 Specific)/Oxy/CO2(IR 0-5%vol) .....	3,045.00
723-016-05	EAGLE 2 for LEL & PPM / O2 / CO2 60% volume (IR) .....	2,945.00
723-022	EAGLE 2 for LEL & PPM (catalytic) / O2 / CH4 (100% LEL / 100% volume (IR) autoranging) .....	2,945.00
723-022-H2	E2,LEL(CAT H2 specific)/CH4(IR Autoranging %LEL/%vol)/Oxy .....	3,045.00
723-025-02	E2,Oxy/CO2(IR 0-10,000ppm)/NH3 .....	3,245.00
723-025-05	EAGLE 2 for O2 / CO2 60% volume (IR) / NH3 .....	3,245.00
723-026-02	EAGLE 2 for O2 / CO / CO2 10,000 ppm (IR) .....	2,945.00
723-026-03	EAGLE 2 for O2 / CO / CO2 5% volume (IR) .....	2,945.00
723-026-05	EAGLE 2 for O2 / CO / CO2 60% volume (IR) .....	2,945.00
723-028	E2,LEL(CAT)/H2S/CO .....	2,245.00
723-029-02	EAGLE 2 for LEL & PPM / H2S / CO2 10,000 ppm (IR) .....	2,945.00
723-030	EAGLE 2 for O2 / H2S / NH3 .....	2,545.00

# Numerical Index

Part#	Description	Suggested Retail
723-032	EAGLE 2 for CH4 (100% LEL / 100% volume (IR) autoranging) / O2 / CO	2,945.00
723-032-1000	EAGLE 2 for CH4 (100% LEL / 100% volume (IR) autoranging) / O2 / CO (1,000 ppm)	3,045.00
723-035-02	E2,CH4(IR Autoranging %LEL/%vol)/Oxy/CO2(IR 0-10,000ppm)	3,645.00
723-035-05	EAGLE 2 for CH4 (100% LEL / 100% volume (IR) autoranging) / O2 / CO2 (60%)	3,645.00
723-037	EAGLE 2 for CH4 (100% LEL / 100% volume (IR) autoranging) / O2 / H2S	2,945.00
723-038-03	EAGLE 2 for O2 / CO2 5% volume (IR) / SO2	3,245.00
723-041	EAGLE 2 for LEL & PPM / Cl2 / NH3	2,845.00
723-041-H2	E2,LEL(CAT H2 specific)/Cl2/NH3	2,945.00
723-054	EAGLE 2 for Hydrocarbons HC (100% LEL / 30% volume (IR) autoranging) / O2 / H2S (0 - 100 ppm)	2,945.00
723-064	EAGLE 2 for CH4 (100% LEL / 100% volume (IR) autoranging) / H2S / NH3	3,245.00
723-066	EAGLE 2 for LEL & PPM (catalytic) / Methane (CH4) 100% volume (IR) / NH3	3,245.00
723-069	EAGLE 2 for LEL & PPM / H2S / NH3	2,545.00
723-071-03	EAGLE 2 for O2 / H2S / CO2 5% volume (IR)	2,945.00
723-071-05	EAGLE 2 for O2 / H2S / CO2 60% volume (IR)	2,945.00
723-079-05	EAGLE 2 for CH4 (100% LEL / 100% volume (IR) autoranging) / H2S / CO2 60% volume (IR)	3,645.00
723-079-05-1K	E2,CH4(IR Autoranging %LEL/%vol)/H2S(0-1000 ppm)/CO2(IR 0-60%vol),w/internal H2S dilution	3,895.00
723-081	EAGLE 2 for CH4 (100% LEL / 100% volume (IR) autoranging) / CO / H2S	2,945.00
723-084-03	E2,HC(IR Autoranging %LEL/%vol)/Oxy/CO2(IR 0-5%)	3,645.00
723-101-P1	EAGLE 2 for LEL & PPM / O2 / VOC's (0 - 50 ppm, PID)	3,795.00
723-101-P2	EAGLE 2 for LEL & PPM / O2 / VOC's (0 - 2,000 ppm, PID)	3,495.00
723-102	EAGLE 2 for LEL & PPM (catalytic) / Methane (CH4) 100% LEL, 100% volume (IR) autoranging / O2	2,945.00
723-103	EAGLE 2 for LEL & PPM (catalytic) / Hydrocarbons (HC) 100% LEL, 30% volume (IR), autoranging / O2	2,945.00
723-104-10	EAGLE 2 for LEL & PPM (catalytic) / Hydrogen H2 10% volume (TC) / O2	2,595.00
723-104-20	EAGLE 2 for LEL & PPM (catalytic) / Hydrogen H2 0 - 100% volume (TC) / O2	2,595.00
723-104-20-H2	E2,LEL(CAT H2 Specific)/H2(TC 0-100%vol)/Oxy	2,695.00
723-104-20-ID	E2,LEL(CAT)/H2(TC 0-100%vol)/Oxy,with internal LEL dilution	2,795.00
723-104-30	EAGLE 2 for LEL & PPM (catalytic) / Methane CH4 0 - 100% volume (TC) / O2	2,595.00
723-104-30-ID	E2,LEL(CAT)/CH4(TC 0-100%vol)/Oxy,with internal LEL dilution	2,795.00
723-105-02-P2	EAGLE 2 for LEL & PPM (catalytic) / CO2 10,000 ppm volume (IR) / VOC's 0 - 2,000 ppm, (PID)	4,195.00
723-106-10	EAGLE 2 for CH4 (100% LEL / 100% volume (IR) autoranging) / Hydrogen (H2) 0 - 10% volume, (TC) / O2	3,295.00
723-107	EAGLE 2 for LEL & PPM (catalytic) / CH4 100% LEL (IR) / O2	2,945.00
723-108-P2	EAGLE 2 for H2S / VOC's 0 - 2,000 ppm (PID) / NH3	3,795.00
723-109-10	EAGLE 2 for CH4 (100% LEL / 100% volume (IR) autoranging) / H2 10% volume (TC) / O2	3,295.00
723-109-20	EAGLE 2 for CH4 (100% LEL / 100% volume (IR) autoranging) / H2 100% volume (TC) / O2	3,295.00
723-110-P1	EAGLE 2 for O2 / H2S / VOC's 0 - 50 ppm (PID)	3,795.00
723-110-P2	EAGLE 2 for O2 / H2S / VOC's 0 - 2,000 ppm (PID)	3,495.00
723-110-P2-1K	E2,Oxy/H2S(0-1000 ppm)/VOC(PID 0-2,000ppm)	3,745.00
723-111-P2	EAGLE 2 for CH4 (100% LEL / 100% volume (IR) autoranging) / O2 / VOC's 0 - 2,000 ppm (PID)	4,195.00
723-113-03	EAGLE 2 for Cl2 / NH3 / CO2 60% volume (IR)	3,495.00
723-114-12	EAGLE 2 for Hydrogen H2 10% volume (TC) / O2 / CO2 10,000 ppm (IR)	3,295.00
723-114-15	E2,H2(TC 0-10%vol)/Oxy/CO2(IR 0-60%vol)	3,295.00
723-114-23	EAGLE 2 for Hydrogen H2 100% volume (TC) / O2 / CO2 5% volume (IR)	3,295.00
723-114-25	EAGLE 2 for Hydrogen H2 100% volume (TC) / O2 / CO2 60% volume (IR)	3,295.00
723-114-35	E2,CH4(TC 0-100%vol)/Oxy/CO2(IR 0-60%vol)	3,295.00
723-115	EAGLE 2 for LEL & PPM / O2 / SO2	2,545.00
723-116-P2	EAGLE 2 for LEL & PPM / H2S / VOC's 0 - 2,000 ppm (PID)	3,495.00
723-117-20	EAGLE 2 for Hydrogen H2 100% volume (TC) / O2 / H2S	2,595.00
723-118-02-P2	EAGLE 2 for CO / CO2 10,000 ppm (IR) / VOC's 0 - 2,000 ppm (PID)	4,195.00
723-119-P2	EAGLE 2 for LEL & PPM / VOC's (0 - 2,000 ppm, PID) / NH3	3,795.00
723-120	EAGLE 2 for LEL & PPM / H2S / HCN	2,545.00
723-121-20	E2,CH4(IR %vol)/H2(TC 0-100%vol)/Oxy	3,295.00
723-122-05	EAGLE 2 for LEL & PPM (catalytic) / CH4 100% LEL, 100% volume (IR) autoranging / CO2 60% volume (IR)	3,645.00
723-122-05-H2	E2,LEL(CAT H2 specific)/CH4(IR Autoranging %LEL/%vol)/CO2(IR 0-60%vol)	3,745.00
723-123	EAGLE 2 for Hydrocarbons HC 100% LEL, 30% volume (IR) autoranging / O2 / HCN	3,245.00
723-124-P1	EAGLE 2 for O2 / VOC's 0 - 50 ppm (PID) / NH3	4,095.00
723-126-30-P2	EAGLE 2 for LEL & PPM / Methane CH4 100% volume (TC) / VOC's (0 - 2,000 ppm PID)	3,845.00
723-127-P2	EAGLE 2 for LEL & PPM (catalytic) / Methane (CH4) 100% volume (IR) / VOC's (0 - 2,000 ppm PID)	4,195.00
723-128-20	EAGLE 2 for LEL & PPM / Hydrogen H2 100% volume (TC) / % Volume CH4 (IR)	3,295.00
723-129-10	EAGLE 2 for Hydrocarbons HC (100% LEL / 30% volume (IR) autoranging) / H2 10% volume (TC) / O2	3,295.00

# Numerical Index

Part#	Description	Suggested Retail
723-130	E2,Cl2/SO2/PH3,with internal G-92 filter .....	3,095.00
723-131	E2,Oxy/CO/PH3 .....	2,545.00
723-132-P2	E2,LEL(CAT)/CH4(IR Autoranging %LEL/%vol)/VOC(PID 0-2,000ppm) .....	4,195.00
723-133-P1	E2,VOC(PID 0-50 ppm)/Cl2/NH3 .....	4,345.00
723-134-05-P2	E2,Oxy/CO2(IR 0-60%vol)/VOC(PID 0-2000ppm) .....	4,195.00
723-135-05-P2	E2,CH4(IR Autoranging %LEL/%vol)/CO2(IR 0-60%vol)/VOC(PID 0-2000ppm) .....	4,845.00
723-136-P1	E2,VOC(PID 0-50 ppm)/SO2/PH3 .....	4,345.00
723-137-02-05	E2,LEL(Cat)/CO2(IR 0-10,000ppm)/CO2(IR 0-60% vol) .....	3,645.00
723-138-01-H2	E2,LEL H2(CAT)/CH4(IR %volume)/Oxy,w/Internal Si Scrubber .....	3,045.00
723-139	E2,Oxy/CO/AsH3 .....	2,545.00
723-140	E2,Cl2/HcN/PH3,with internal G-92 filter .....	3,095.00
723-141-P1	E2,VOC(PID 0-50 ppm)/HCN/NH3 .....	4,045.00
723-142-35	E2,CH4(TC 0-100%vol)/H2S/CO2(IR 0-60%vol) .....	3,295.00
723-143	E2,LEL(CAT)/CO/HCN .....	2,545.00
724-001	EAGLE 2 for LEL & PPM / O2 / H2S / CO .....	2,395.00
724-001-1000-01	E2,LEL(CAT)/Oxy/H2S/CO(0-1000 ppm) .....	2,495.00
724-001-50	EAGLE 2 for LEL & PPM / O2 / H2S / CO, 58AL H2S/CO/O2/CH4, dem flow reg, tubing, and padded carrying case .....	3,390.00
724-001-H2	EAGLE 2 for LEL & PPM H2 specific (catalytic) / O2 / H2S / CO .....	2,495.00
724-001-ID	E2,LEL(CAT)/Oxy/H2S/CO,with internal LEL dilution .....	2,595.00
724-001-IR	EAGLE 2 for LEL CH4 (IR) / O2 / H2S / CO .....	3,095.00
724-001-IR-CAT	EAGLE 2 for CH4 % LEL (IR) / O2 / H2S / CO, inert mode for catalyst applications .....	3,145.00
724-001-T	EAGLE 2 for LEL & PPM / O2 / H2S / CO, Teflon lined hose & internal tubing (specify calibration) .....	2,495.00
724-001-TT	EAGLE 2 for LEL & PPM / O2 / H2S / CO, Tank Tester version (with float probe & dilution fitting) .....	2,845.00
724-002	EAGLE 2 for LEL & PPM / O2 / H2S / SO2 .....	2,695.00
724-003	EAGLE 2 for LEL & PPM / O2 / CO / SO2 .....	2,695.00
724-005	EAGLE 2 for LEL & PPM / O2 / CO / Cl2 .....	2,695.00
724-006	E2,LEL/Oxy/Cl2/NH3 .....	2,995.00
724-007	E2,Oxy/CO/Cl2/NH3 .....	2,995.00
724-008	E2,LEL(CAT)/Oxy/PH3/NH3 .....	2,995.00
724-010	EAGLE 2 for LEL & PPM / O2 / H2S / NH3 .....	2,695.00
724-012	EAGLE 2 for LEL & PPM / O2 / CO / NH3 .....	2,695.00
724-016-02	EAGLE 2 for LEL & PPM / O2 / CO / CO2 10,000 ppm (IR) .....	3,095.00
724-016-03	EAGLE 2 for LEL & PPM / O2 / CO / CO2 5% volume (IR) .....	3,095.00
724-016-05	EAGLE 2 for LEL & PPM / O2 / CO / CO2 60% volume (IR) .....	3,095.00
724-027	EAGLE 2 for LEL & PPM / O2 / CO / PH3 .....	2,695.00
724-028-02	EAGLE 2 for LEL & PPM / H2S / CO2 10,000 ppm (IR) / NH3 .....	3,395.00
724-039-02	EAGLE 2 for LEL & PPM / O2 / H2S / CO2 10,000 ppm (IR) .....	3,095.00
724-039-03	EAGLE 2 for LEL & PPM / O2 / H2S / CO2 5% volume (IR) .....	3,095.00
724-039-05	EAGLE 2 for LEL & PPM / O2 / H2S / CO2 60% volume (IR) .....	3,095.00
724-041	EAGLE 2 for LEL & PPM (catalytic) / O2 / CO / CH4 (100% LEL / 100% volume (IR) autoranging) .....	3,095.00
724-041-1000	EAGLE 2 for LEL & PPM (catalytic) / O2 / CO (1,000 ppm) / CH4 (100% LEL / 100% volume (IR) autoranging) .....	3,195.00
724-041-H2	E2,LEL(CAT H2 specific)/CH4(IR %LEL)/Oxy/CO .....	3,195.00
724-042	EAGLE 2 for LEL & PPM (catalytic) / CH4 (100% LEL / 100% volume (IR) autoranging) / O2 / H2S .....	3,095.00
724-042-H2-ID	E2,LEL(CAT H2 specific)/CH4(IR Autoranging)/Oxy/H2S,internal LEL cat dilution .....	3,345.00
724-048-02	EAGLE 2 for LEL & PPM / O2 / NH3 / CO2 10,000 ppm (IR) .....	3,395.00
724-048-03	EAGLE 2 for LEL & PPM / O2 / NH3 / CO2 5% volume (IR) .....	3,395.00
724-051	EAGLE 2 for CH4 (100% LEL / 100% volume (IR) autoranging) / O2 / CO / H2S .....	3,095.00
724-051-100	E2,CH4(IR Autoranging %LEL/%vol)/Oxy(-100%)/H2S/CO .....	3,195.00
724-051-50	Eagle 2,type 451 w/case & 58 liter calibration kit .....	4,090.00
724-052	EAGLE 2 for LEL & PPM / O2 / CO / HCN .....	2,695.00
724-053-03	EAGLE 2 for LEL & PPM / O2 / CO2 5% volume (IR) / SO2 .....	3,395.00
724-054	EAGLE 2 for LEL & PPM / H2S / CO / NH3 .....	2,695.00
724-055-03	EAGLE 2 for LEL & PPM / H2S / CO / CO2 5% volume (IR) .....	3,095.00
724-059-02	EAGLE 2 for CH4 (100% LEL / 100% volume (IR) autoranging) / O2 / CO / CO2 10,000 ppm (IR) .....	3,795.00
724-059-03	EAGLE 2 for CH4 (100% LEL / 100% volume (IR) autoranging) / O2 / CO / CO2 5% volume (IR) .....	3,795.00
724-059-05	EAGLE 2 for CH4 (100% LEL / 100% volume (IR) autoranging) / O2 / CO / CO2 60% volume (IR) .....	3,795.00
724-064	E2,CH4(IR Autoranging %LEL/%vol)/Oxy/CO/NH3 .....	3,395.00
724-068-03	EAGLE 2 for CH4 (100% LEL / 100% volume (IR) autoranging) / O2 / H2S / CO2 5% volume (IR) .....	3,795.00
724-068-05	EAGLE 2 for CH4 (100% LEL / 100% volume (IR) autoranging) / O2 / H2S / CO2 60% volume (IR) .....	3,795.00

# Numerical Index

Part#	Description	Suggested Retail
724-068-05-1K	E2,CH4(IR Autoranging %LEL/%vol)/Oxy/H2S(0-1000 ppm)/CO2(IR 0-60%vol),w/internal H2S dilution	4,045.00
724-069	E2,Oxy/H2S/CO/NH3	2,695.00
724-074-03	EAGLE 2 for LEL & PPM (catalytic) / CH4 (100% LEL / 100% volume (IR) autoranging) / O2 / CO2 5% volume (IR)	3,795.00
724-074-05	EAGLE 2 for LEL & PPM (catalytic) / CH4 (100% LEL / 100% volume (IR) autoranging) / O2 / CO2 60% volume (IR)	3,795.00
724-085	EAGLE 2 for LEL & PPM / O2 / CO / AsH3 (0 -1.5 ppm)	2,695.00
724-087	EAGLE 2 for Hydrocarbons HC 100% LEL (IR)/ O2 / CO / H2S	3,095.00
724-101-P1	EAGLE 2 for LEL & PPM / O2 / H2S / VOC's (0 - 50 ppm, PID)	3,945.00
724-101-P2	EAGLE 2 for LEL & PPM / O2 / H2S / VOC's (0 - 2,000 ppm, PID)	3,645.00
724-102-P1	EAGLE 2 for LEL & PPM / O2 / CO / VOC's (0 - 50 ppm, PID)	3,945.00
724-102-P2	EAGLE 2 for LEL & PPM / O2 / CO / VOC's (0 - 2,000 ppm, PID)	3,645.00
724-103-22	EAGLE 2 for LEL & PPM H2 specific (catalytic) / Hydrogen H2 100% volume (TC) / O2 / CO2 10,000 ppm (IR)	3,445.00
724-103-25	EAGLE 2 for LEL & PPM H2 specific (catalytic) / Hydrogen H2 100% volume (TC) / O2 / CO2 60% volume (IR)	3,445.00
724-103-32	EAGLE 2 for LEL & PPM (catalytic) / Methane CH4 100% volume (TC) / O2 / CO2 10,000 ppm (IR)	3,445.00
724-103-33	EAGLE 2 for LEL & PPM (catalytic) / Methane CH4 100% volume (TC) / O2 / CO2 5% volume (IR)	3,445.00
724-103-35	EAGLE 2 for LEL & PPM (catalytic) / Methane CH4 100% volume (TC) / O2 / CO2 60% volume (IR)	3,445.00
724-104-02-P2	EAGLE 2 for LEL & PPM / O2 / CO2 10,000 ppm (IR) / VOC's 0 - 2,000 ppm, (PID)	4,345.00
724-104-03-P2	E2,LEL(CAT)/Oxy/CO2(IR 0-5%)/VOC(PID 0-2,000ppm)	4,345.00
724-104-05-P1	E2,CH4(IR Autoranging %LEL/%vol)/Oxy/CO2(IR 0-60%vol)/VOC(PID 0-50 ppm)	5,345.00
724-104-05-P2	EAGLE 2 for LEL / % volume CH4 (IR) autoranging / O2 / CO2 60% volume (IR) / VOC's 0 - 2,000 ppm, (PID)	5,045.00
724-105-P2	EAGLE 2 for O2 / CO / VOC's (0 - 2,000 ppm, PID) / SO2	3,945.00
724-106-12	E2,H2(TC 0-10%vol)/Oxy/H2S/CO2(IR 0-10,000 ppm)	3,445.00
724-106-35	EAGLE 2 for Methane CH4 100% volume (TC) / O2 / H2S / CO2 60% volume (IR)	3,445.00
724-107-30	EAGLE 2 for LEL & PPM (catalytic) / Methane CH4 100% volume (TC) / O2 / H2S	2,745.00
724-108-P2	EAGLE 2 for LEL & PPM / O2 / VOC's 0 - 2,000 ppm (PID) / NH3	3,945.00
724-109-P2	EAGLE 2 for Hydrocarbons HC 100% LEL (IR) / O2 / CO / VOC's 0 - 2,000 ppm (PID)	4,345.00
724-110-H2	EAGLE 2 for LEL & PPM H2 specific (catalytic) / CH4 (100% LEL / 100% volume (IR) autoranging) / O2 / H2S	3,195.00
724-111-02-P1	EAGLE 2 for LEL & PPM / O2 / CO2 10,000 ppm (IR) / VOC's (0 - 50 ppm, PID)	4,645.00
724-111-02-P2	E2,LEL(CAT)/Oxy/CO2(IR 0-10,000 ppm)/VOC(PID 0-2000 ppm)	4,645.00
724-111-03-P1	EAGLE 2 for LEL & PPM / O2 / CO2 5% volume (IR) / VOC's (0 - 50 ppm, PID)	4,645.00
724-111-03-P2	E2,LEL(CAT)/Oxy/CO2(IR 0-5%vol)/VOC(PID 0-2000 ppm)	4,345.00
724-111-05-P2	EAGLE 2 for LEL & PPM / O2 / CO2 60% volume (IR) / VOC's 0 - 2,000 ppm (PID)	4,345.00
724-112-02-P2	EAGLE 2 for LEL & PPM / H2S / CO2 10,000 ppm (IR) / VOC's 0 - 2,000 ppm (PID)	4,345.00
724-113-25	EAGLE 2 for CH4 (100% LEL / 100% volume (IR) autoranging) / Hydrogen H2 100% volume (TC) / O2 / CO2 60% volume (IR)	4,145.00
724-114-P2	EAGLE 2 for LEL & PPM / VOC's (0 - 2,000 ppm, PID) / Cl2 / NH3	4,245.00
724-115	EAGLE 2 for O2 / H2S / CO / SO2	2,695.00
724-116-P2	EAGLE 2 for LEL & PPM (catalytic) / CH4 (100% LEL / 100% volume (IR) autoranging) / O2 / VOC's (0 - 2,000 ppm PID)	4,345.00
724-116-P2-H2	E2,LEL(CAT H2 specific)/CH4(IR Autoranging %LEL/%vol)/Oxy/VOC (PID 0-2000 ppm)	4,445.00
724-116-P2-ID	E2,LEL(CAT)/CH4(IR Autoranging)/Oxy/VOC (PID 0-2000 ppm),internal LEL CAT dilution	4,545.00
724-117-P2	E2,LEL(CAT)/CH4(IR Autoranging %LEL/%vol)/VOC(PID 0-2,000ppm)/NH3	4,645.00
724-118	E2,CH4(IR Autoranging %LEL/%vol)/Oxy/CO/SO2	3,395.00
724-128-P2	EAGLE 2 for LEL & PPM / O2 / VOC's 0 - 2,000 ppm (PID) / PH3	3,945.00
724-129-P2-H2	EAGLE 2 for CAT H2 specific / O2 / VOC (PID 0 - 2,000 ppm) / HCN	4,045.00
724-130-10-P2	EAGLE 2 for LEL & PPM (catalytic) / Hydrogen H2 100% volume (TC) / O2 / VOC's (0 - 2,000 ppm, PID)	3,995.00
724-130-20-P2	EAGLE 2 for LEL & PPM H2 specific (catalytic) / Hydrogen H2 100% volume (TC) / O2 / VOC's (0 - 2,000 ppm, PID)	3,995.00
724-131-P2	EAGLE 2 for Hydrocarbons HC 100% LEL, 30% volume (IR), autoranging / O2 / H2S / VOC's (0 - 2,000 ppm, PID)	4,345.00
724-132-05-P2	EAGLE 2 for CH4 100% volume (IR) / O2 / CO2 60% vol (IR) / VOC's 0 - 2,000 ppm (PID)	5,045.00
724-133-P1	EAGLE 2 for H2S / VOC's (0 - 50 ppm, PID) / SO2 / NH3	4,545.00
724-133-P2	EAGLE 2 for H2S / VOC's (0 - 2,000 ppm, PID) / SO2 / NH3	4,245.00
724-134-P2	E2,LEL(CAT)/VOC(PID 0-2,000ppm)/SO2/NH3	4,245.00
724-135-03-P2	EAGLE 2 for O2 / CO2 5% volume (IR) / VOC's (0 - 2,000 ppm, PID) / SO2	4,645.00
724-136	E2,LEL(CAT)/CH4(IR Autoranging %LEL/%vol)/O2/NH3	3,395.00

# Numerical Index

Part#	Description	Suggested Retail
724-136-H2	EAGLE 2 for LEL & PPM H2 specific (catalytic) / CH4 (100% LEL / 100% volume (IR) autoranging) / O2 / NH3	3,495.00
724-137-02-H2	EAGLE 2 for LEL & PPM H2 specific (catalytic) / CH4 (100% LEL / 100% volume (IR) autoranging) / CO2 10,000 ppm (IR) / NH3	4,195.00
724-138-02-H2	E2,LEL(CAT H2 Specific)/CH4(IR Autoranging %LEL/%vol)/O2/CO2(IR 0-10,000ppm)	3,895.00
724-138-05	E2,LEL(CAT)/CH4(IR Autoranging %LEL/%vol)/O2/CO2(IR 0-60%vol)	3,795.00
724-138-05-H2	EAGLE 2 for LEL & PPM H2 specific (catalytic) / CH4 (100% LEL / 100% volume (IR) autoranging) / O2 / CO2 60% vol (IR)	3,895.00
724-139-H2	E2,LEL(CAT H2 Specific)/HC(IR Autoranging %LEL/%vol)/H2S/NH3	3,495.00
724-140	EAGLE 2 for LEL & PPM / CO / NH3 / SO2	2,995.00
724-141-02-P2	E2,LEL(CAT)/CH4(IR Autoranging %LEL/%vol)/CO2(IR 0-10000 ppm)/VOC(PID 0-2000ppm)	5,045.00
724-141-03-P2	EAGLE 2 for LEL & PPM (catalytic) / CH4 (100% LEL / 100% volume (IR) autoranging) / CO2 5% volume (IR) / VOC's (0 - 2,000 ppm PID)	5,045.00
724-142-P2	EAGLE 2 for CH4 (100% LEL / 100% volume (IR) autoranging) / O2 / H2S / VOC's (0 - 2,000 ppm PID)	4,345.00
724-143-P2	E2,Oxy/H2S/CO/VOC(PID 0-2,000ppm)	3,645.00
724-144-05	EAGLE 2 for CH4 (100% LEL / 100% volume (IR) autoranging) / H2S / NH3 / CO2 60% volume (IR)	4,095.00
724-145-10-P2	EAGLE 2 for CH4 (100% LEL / 100% volume (IR) autoranging) / H2 10% volume (TC) / O2 / VOC's 0 - 2,000 ppm, (PID)	4,695.00
724-146-02-P2	E2,O2/CO/CO2(IR 0-10,000ppm)/VOC(PID 0-2,000ppm)	4,345.00
724-147-03-P2	E2,Oxy/CO2(IR 0-5%vol)/VOC(PID 0-2000ppm)/NH3	4,645.00
724-148-P2	E2,Oxy/VOC(PID 0-2,000ppm)/SO2/NH3	4,245.00
724-149	E2,HC(IR Autoranging %LEL/%vol)/Oxy/H2S/SO2	3,395.00
724-150-15	E2,CH4(IR Autoranging %LEL/%vol)/H2(TC 0-10%vol)/H2S/CO2(IR 0-60%vol)	4,145.00
724-151-22	E2,CH4(IR %vol)/H2(TC 0-100%vol)/Oxy/CO2(IR 0-10,000ppm)	4,145.00
724-152-25	E2,CH4(IR %vol)/H2(TC 0-100%vol)/Oxy/CO2(IR 0-60%vol)	4,145.00
724-152-25-100	E2,CH4(IR %vol)/H2(TC 0-100%vol)/Oxy(0-100%vol)/CO2(IR 0-60%vol)	4,245.00
724-153-10	E2,CH4(IR Autoranging %LEL/%vol)/H2(TC 0-10%vol)/Oxy/H2S	3,445.00
724-154	E2,CH4(IR Autoranging %LEL/%vol)/Oxy/CO/Cl2	3,395.00
724-155-05	E2,Oxy/H2S/CO2(IR 0-60%vol)/NH3	3,395.00
724-156	E2,LEL(CAT)/HC(IR Autoranging %LEL/%vol)/Oxy/H2S	3,095.00
724-157-P2	E2,LEL(CAT)/VOC(PID 0-2,000ppm)/Cl2/PH3	4,245.00
724-158-20-P2	E2,H2(TC 0-100%vol)/CH4(IR Autoranging %LEL/%vol)/H2S/VOC(PID 0-2,000ppm)	4,695.00
724-159-02-05	E2,LEL(CAT)/CH4(IR %volume)/CO2(0-10000 ppm)CO2(IR 0-60 %vol)	4,645.00
724-160-05	E2,LEL(CAT)/HC(IR Autoranging %LEL/%vol)/Oxy/CO2(IR 0-60%vol)	3,795.00
724-161	E2,LEL(CAT)/CH4(IR %vol)/H2S/CO	3,095.00
724-162	E2,LEL(CAT)/Oxy/HCN/NH3	2,995.00
724-163-100-H2	E2,LEL(CAT H2 specific)/H2(TC 0-100%vol)/Oxy(0-100%vol)/H2S	2,945.00
725-001	EAGLE 2 for LEL & PPM / O2 / H2S / CO / SO2	2,845.00
725-003	EAGLE 2 for LEL & PPM / O2 / H2S / CO / NH3	2,845.00
725-004-02	EAGLE 2 for LEL & PPM / O2 / H2S / CO / CO2 10,000 ppm (IR)	3,245.00
725-004-03	EAGLE 2 for LEL & PPM / O2 / H2S / CO / CO2 5% volume (IR)	3,245.00
725-004-05	EAGLE 2 for LEL & PPM / O2 / H2S / CO / CO2 60% volume (IR)	3,245.00
725-006	EAGLE 2 for LEL & PPM / O2 / CO / Cl2 / NH3	3,145.00
725-011	EAGLE 2 for LEL & PPM / O2 / H2S / CO / HCN	2,845.00
725-020-03	EAGLE 2 for LEL & PPM / O2 / CO / CO2 5% volume (IR) / NH3	3,545.00
725-023-02	EAGLE 2 for LEL & PPM / O2 / H2S / CO2 10,000 ppm (IR) / NH3	3,545.00
725-023-05	E2,LEL(CAT)/Oxy/H2S/CO2(IR 0-60%vol)/NH3	3,545.00
725-028	EAGLE 2 for LEL & PPM / O2 / CO / NH3 / PH3	3,145.00
725-033	EAGLE 2 for LEL & PPM / O2 / CO / HCN / NH3	3,145.00
725-048-03	EAGLE 2 for LEL & PPM / O2 / H2S / CO / CO2 5% volume (IR) / HCN	3,545.00
725-057	E2,LEL(CAT)/Oxy/CO/Cl2/AsH3	3,145.00
725-101-P1	EAGLE 2 for LEL & PPM / O2 / H2S / CO / VOC's (0 - 50 ppm, PID)	4,095.00
725-101-P1-50	EAGLE 2 for LEL & PPM / O2 / H2S / CO / VOC's (0 - 50 ppm, PID), 58AL H2S/CO/O2/CH4, 103L 10 ppm isobutylene/Air, dem flow reg, tubing, and padded carrying case	5,090.00
725-101-P2	EAGLE 2 for LEL & PPM / O2 / H2S / CO / VOC's (0 - 2,000 ppm PID)	3,795.00
725-101-P2-50	EAGLE 2 for LEL & PPM / O2 / H2S / CO / VOC's (0 - 2,000 ppm, PID), 58AL H2S/CO/O2/CH4, 103L 100 ppm isobutylene/Air, dem flow reg, tubing, and padded carrying case	4,935.00
725-102-P1	EAGLE 2 for LEL & PPM / O2 / CO / VOC's (0 - 50 ppm PID) / HCN	4,395.00
725-102-P2	EAGLE 2 for LEL & PPM / O2 / CO / VOC's (0 - 2,000 ppm PID) / HCN	4,095.00
725-103-02-P1	EAGLE 2 for LEL & PPM / O2 / CO / CO2 10,000 ppm (IR) / VOC's (0 - 50 ppm, PID)	4,795.00
725-103-02-P2	EAGLE 2 for LEL & PPM / O2 / CO / CO2 10,000 ppm (IR) / VOC's 0 - 2,000 ppm, (PID)	4,495.00

# Numerical Index

Part#	Description	Suggested Retail
725-103-03-P1	EAGLE 2 for LEL & PPM / O2 / CO / CO2 5% volume (IR) / VOC's (0 - 50 ppm, PID) .....	4,795.00
725-103-03-P2	EAGLE 2 for LEL & PPM / O2 / CO / CO2 5% volume (IR) / VOC's 0 - 2,000 ppm, (PID) .....	4,495.00
725-103-05-P1	EAGLE 2 for LEL & PPM / O2 / CO / CO2 60% volume (IR) / VOC's (0 - 50 ppm, PID).....	4,795.00
725-103-05-P2	EAGLE 2 for LEL & PPM / O2 / CO / CO2 60% volume (IR) / VOC's 0 - 2,000 ppm, (PID) .....	4,495.00
725-104-35-P2	EAGLE 2 for Methane CH4 100% volume (TC) / O2 / H2S / CO2 60% volume (IR) / VOC's 0 - 2,000 ppm, (PID).....	4,845.00
725-105-30	EAGLE 2 for LEL & PPM / CH4 100% volume (TC) / O2 / H2S / CO .....	2,895.00
725-106-02	EAGLE 2 for CH4 (100% LEL / 100% volume (IR) autoranging) / O2 / H2S / CO / CO2 (IR 0 - 10,000 ppm) .....	3,945.00
725-106-03	E2,CH4(IR Autoranging %LEL/%vol)/Oxy/H2S/CO/CO2(IR 0-5%).....	3,945.00
725-106-05	EAGLE 2 for CH4 (100% LEL / 100% volume (IR) autoranging) / O2 / H2S / CO / CO2 60% volume (IR)...	3,945.00
725-107-03-P2	EAGLE 2 for CH4 (100% LEL / 100% volume (IR) autoranging) / O2 / CO / CO2 5% volume (IR) / VOC's 0 - 2,000 ppm, (PID) .....	5,195.00
725-107-05-P2	EAGLE 2 for CH4 (100% LEL / 100% volume (IR) autoranging) / O2 / CO / CO2 60% volume (IR) / VOC's (0 - 2,000 ppm, PID) .....	5,195.00
725-108-P1	E2,CH4(IR Autoranging %LEL/%vol)/Oxy/H2S/CO/VOC(PID 0-50 ppm) .....	4,795.00
725-108-P2	EAGLE 2 for CH4 (100% LEL / 100% volume (IR) autoranging) / O2 / H2S / CO / VOC's (0 - 2,000 ppm, PID) .....	4,495.00
725-109-25-P2	EAGLE 2 for LEL & PPM / H2 100% volume (TC) / O2 / CO2 60% volume (IR) / VOC's 0 - 2,000 ppm, (PID) .....	4,845.00
725-110-35	EAGLE 2 for LEL & PPM (catalytic) / Methane CH4 100% volume (TC) / O2 / CO / CO2 60% volume (IR) .....	3,595.00
725-111-03	EAGLE 2 for LEL & PPM H2 (catalytic) / CH4 (100% LEL / 100% volume (IR) autoranging) / O2 / H2S / CO2 5% volume (IR) .....	3,945.00
725-111-05	EAGLE 2 for LEL & PPM H2 (catalytic) / CH4 (100% LEL / 100% volume (IR) autoranging) / O2 / H2S / CO2 60% volume (IR) .....	3,945.00
725-112-P2	EAGLE 2 for LEL & PPM / O2 / CO / VOC's 0 - 2,000 ppm (PID) / PH3.....	4,095.00
725-113-32	EAGLE 2 for LEL & PPM (catalytic) / Methane CH4 100% volume (TC) / O2 / H2S / CO2 10,000 ppm (IR) .....	3,595.00
725-113-35	EAGLE 2 for LEL & PPM (catalytic) / Methane CH4 100% volume (TC) / O2 / H2S / CO2 60% volume (IR) .....	3,595.00
725-114	EAGLE 2 for LEL & PPM (catalytic) / CH4 100% LEL (IR) / O2 / H2S / CO .....	3,245.00
725-114-CAT	E2,LEL(CAT)/CH4(IR %LEL)/Oxy/H2S/CO,catalyst applications.....	3,295.00
725-115	EAGLE 2 for LEL & PPM / O2 / H2S / HCN / SO2 .....	3,145.00
725-117-05-P2	EAGLE 2 for LEL & PPM / O2 / H2S / CO2 60% volume (IR) / VOC's 0 - 2,000 ppm (PID) .....	4,495.00
725-118-P1	E2,HC(IR %LEL)/Oxy/H2S/CO/VOC(PID 0-50 ppm) .....	4,795.00
725-118-P2	EAGLE 2 for Hydrocarbons HC 100% LEL (IR) / O2 / H2S / CO / VOC's 0 - 2,000 ppm (PID) .....	4,495.00
725-119	EAGLE 2 for CH4 (100% LEL / 100% volume (IR) autoranging) / O2 / H2S / CO / SO2 .....	3,545.00
725-119-IR-CAT	E2,CH4(IR %LEL)/Oxy/H2S/CO/SO2 .....	3,595.00
725-120-P1	EAGLE 2 for LEL & PPM / O2 / CO / VOC's 0 - 50 ppm (PID) / NH3 .....	4,395.00
725-120-P2	EAGLE 2 for LEL & PPM / O2 / CO / VOC's 0 - 2,000 ppm (PID) / NH3 .....	4,095.00
725-121-P1	EAGLE 2 for LEL & PPM / O2 / CO / VOC's 0 - 50 ppm (PID) / Cl2 .....	4,395.00
725-121-P2	EAGLE 2 for LEL & PPM / O2 / CO / VOC's 0 - 2,000 ppm (PID) / Cl2 .....	4,095.00
725-122-02	EAGLE 2 for LEL & PPM / O2 / CO / CO2 10,000 ppm (IR) / SO2 .....	3,545.00
725-122-03	EAGLE 2 for LEL & PPM / O2 / CO / CO2 5% volume (IR) / SO2 .....	3,545.00
725-123-P2	EAGLE 2 for LEL & PPM / O2 / H2S / VOC's 0 - 2,000 ppm (PID) / NH3 .....	4,095.00
725-124-05	EAGLE 2 for CH4 (100% LEL / 100% volume (IR) autoranging) / O2 / H2S / CO2 60% volume (IR) / NH3 .....	4,245.00
725-125-05	EAGLE 2 for LEL & PPM / H2S / CO / CO2 60% volume (IR) / NH3 .....	3,545.00
725-127-10-P2	EAGLE 2 for LEL & PPM (catalytic) / Hydrogen H2 100% volume (TC) / O2 / H2S / VOC's 0 - 2,000 ppm (PID).....	4,145.00
725-128-02-P2	EAGLE 2 for LEL & PPM / O2 / CO2 10,000 ppm volume (IR) / VOC's 0 - 2,000 ppm, (PID) / NH3 .....	4,795.00
725-128-02-P2H2	EAGLE 2 for LEL & PPM Hydrogen (H2 specific) / O2 / CO2 10,000 ppm volume (IR) / VOC's 0 - 2,000 ppm, (PID) / NH3 .....	4,895.00
725-130-P2	EAGLE 2 for LEL & PPM / O2 / H2S / VOC's 0 - 2,000 ppm (PID) / SO2 .....	4,095.00
725-131-35-P2	EAGLE 2 for LEL & PPM (catalytic) / Methane CH4 100% volume (TC) / O2 / CO2 60% volume (IR) / VOC's (0 - 2,000 ppm, PID) .....	4,845.00
725-132-02	EAGLE 2 for LEL & PPM / O2 / CO2 10,000 ppm (IR) / Cl2 / NH3 .....	3,845.00
725-132-03	EAGLE 2 for LEL & PPM / O2 / CO2 5% volume (IR) / Cl2 / NH3 .....	3,845.00
725-133-03-P2	E2,CH4(IR Autoranging %LEL/%vol)/Oxy/H2S/CO2(IR 0-5%vol)/VOC(PID 0-2,000ppm) .....	2,002.20
725-133-05-P2	EAGLE 2 for CH4 (100% LEL / 100% volume (IR) autoranging) / O2 / H2S / CO2 60% vol (IR) / VOC's 0 - 2,000 ppm (PID).....	5,195.00
725-134	EAGLE 2 for CH4 (100% LEL / 100% volume (IR) autoranging) / O2 / H2S / CO / SO2.....	3,545.00
725-135	E2,CH4(IR %LEL)/Oxy/H2S/CO/NH3 .....	3,545.00
725-135-CAT	EAGLE 2 for CH4 (100% LEL / 100% volume (IR) autoranging) / O2 / H2S / CO / NH3, inert mode for catalyst applications .....	3,545.00
725-136	EAGLE 2 for LEL & PPM (catalytic) / CH4 100% LEL / 100% volume (IR) autoranging / O2 / CO / NH3 ...	3,545.00



# Numerical Index

Part#	Description	Suggested Retail
725-137-02	E2,LEL(CAT)/CH4(IR Autoranging %LEL/%vol)/CO/H2S/CO2(IR 0-10,000ppm)	3,945.00
725-138-P2	E2,LEL(CAT)/CH4(IR Autoranging %LEL/%vol)/Oxy/CO/VOC(PID 0-2,000ppm)	4,495.00
725-139-05	EAGLE 2 for Hydrocarbons (HC) 100% LEL, 30% volume (IR), autoranging / O2 / H2S / CO2 60% volume (IR)	4,645.00
725-140	E2,LEL(CAT)/CH4(IR %vol)/Oxy/H2S/CO	3,245.00
725-141	E2,LEL(CAT)/CH4(IR Autoranging %LEL/%vol)/Oxy/H2S/CO	3,245.00
725-142-P2	EAGLE 2 for LEL & PPM / O2 / VOC's 0 - 2,000 ppm (PID) / PH3 / NH3	4,395.00
725-143-03-P1	EAGLE 2 for O2 / CO / CO2 5% volume (IR) / VOC's (0 - 50 ppm, PID) / SO2	5,095.00
725-144-05-H2	EAGLE 2 for LEL & PPM H2 specific (catalytic) / CH4 100% LEL / 100% volume (IR) autoranging / O2 / H2S / CO2 60% volume (IR)	4,045.00
725-145	EAGLE 2 for H2S / CO / HCN / SO2 / NH3	3,445.00
725-146	E2,LEL(CAT)/Oxy/CL2/SO2/NH3	3,445.00
725-147-P1	EAGLE 2 for LEL & PPM (catalytic) / CH4 100% LEL / 100% volume (IR) autoranging / O2 / VOC's (0 - 50 ppm, PID) / NH3	5,095.00
725-147-P2	EAGLE 2 for LEL & PPM (catalytic) / CH4 100% LEL / 100% volume (IR) autoranging / O2 / VOC's (0 - 2,000 ppm PID) / NH3	4,795.00
725-148-1000-01	EAGLE 2 for CH4 % LEL (IR) / O2 (0-100% volume) / H2S / CO (0-1,000 ppm)	3,645.00
725-149-20	E2,LEL(CAT)/H2(TC 0-100%vol)/Oxy/H2S/SO2	3,195.00
725-149-20-H2	E2,LEL(CAT H2 specific)/H2(TC 0-100%vol)/Oxy/H2S/SO2	3,295.00
725-150-P2	EAGLE 2 for LEL & PPM / O2 / VOC's 0 - 2,000 ppm (PID) / NH3 / SO2	4,395.00
725-152-02-H2	EAGLE 2 for LEL & PPM H2 specific (catalytic) / LEL CH4 (IR) / O2 / H2S / CO2 10,000 ppm (IR)	4,045.00
725-153-25	EAGLE 2 for LEL & PPM (catalytic) / Hydrogen H2 100% volume (TC) / O2 / H2S / CO2 60% volume (IR)	3,595.00
725-154-03-H2	EAGLE 2 for LEL & PPM Hydrogen (H2 specific) (catalytic) / CH4 (100% LEL / 100% volume (IR) autoranging) / O2 / CO2 5% volume (IR) / NH3	4,345.00
725-154-03-H2ID	E2,LEL(CAT H2 Specific)/CH4(IR Autoranging %LEL/%vol)/O2/CO2(IR 0-5%vol)/NH3,int LEL cat dilution	4,595.00
725-156-P2	E2,LEL(CAT)/Oxy/VOC(PID 0-2,000ppm)/Cl2/SO2	4,395.00
725-157-P2	E2,LEL(CAT)/H2S/VOC(PID 0-2,000ppm)/SO2/NH3	4,395.00
725-158-05	E2,CH4(IR %volume)/Oxy/H2S/CO/CO2(IR 0-60%vol)	3,945.00
725-159-25	E2,CH4(IR Autoranging %LEL/%vol)/H2(TC 0-100%vol)/Oxy/H2S/CO2(IR 0-60%vol)	4,295.00
725-160-05-P1	E2,LEL(CAT)/CO/CO2(IR 0-60%vol)/VOC(PID 0-50 ppm)/NH3	5,095.00
725-161	E2,LEL(CAT)/Oxy/CO/NH3/SO2	3,145.00
725-162	E2,HC(IR %LEL)/Oxy/H2S/CO/SO2	3,545.00
725-165-35	E2,CH4(TC 0-100%vol)/Oxy/H2S/CO/CO2(IR 0-60%vol)	3,595.00
725-166-02	E2,Oxy/H2S/CO/CO2(IR 0-10,000ppm)/SO2	3,545.00
725-1XX-02	E2,CH4(IR Autoranging %LEL/%vol)/Oxy/H2S/CO/ESM-01(upgradeable)	3,345.00
726-008-02	EAGLE 2 for LEL & PPM / O2 / H2S / CO / NH3 / CO2 10,000 ppm (IR)	3,695.00
726-008-03	EAGLE 2 for LEL & PPM / O2 / H2S / CO / NH3 / CO2 5% volume (IR)	3,695.00
726-008-05	E2,LEL(CAT)/Oxy/H2S/CO/CO2(IR 0-60%vol)/NH3	3,695.00
726-016-02	EAGLE 2 for LEL & PPM / O2 / H2S / CO / CO2 10,000 ppm (IR) / SO2	3,695.00
726-017	EAGLE 2 for LEL & PPM / O2 / H2S / CO / NH3 / SO2	3,295.00
726-017-ID	E2,LEL(CAT)/Oxy/H2S/CO/NH3/SO2,with internal LEL CAT dilution	3,495.00
726-026	E2,LEL(CAT)/Oxy/H2S/CO/HCN/NH3	3,295.00
726-101-P1	EAGLE 2 for LEL & PPM / O2 / H2S / CO / SO2 / VOC's (0 - 50 ppm, PID)	4,545.00
726-101-P2	EAGLE 2 for LEL & PPM / O2 / H2S / CO / SO2 / VOC's (0 - 2,000 ppm, PID)	4,245.00
726-102-P1	EAGLE 2 for LEL & PPM / O2 / H2S / CO / NH3 / VOC's (0 - 50 ppm, PID)	4,545.00
726-102-P2	EAGLE 2 for LEL & PPM / O2 / H2S / CO / NH3 / VOC's (0 - 2,000 ppm, PID)	4,245.00
726-105-35	EAGLE 2 for LEL & PPM / Methane CH4 100% volume (TC) / O2 / H2S / CO / CO2 60% volume (IR)	3,745.00
726-106-02-P1	EAGLE 2 for LEL & PPM / O2 / H2S / CO / CO2 10,000 ppm (IR) / VOC's 0 - 50 ppm, (PID)	4,945.00
726-106-02-P2	EAGLE 2 for LEL (CAT) / O2 / H2S / CO / CO2 (IR 0 - 10,000 ppm) / VOC's 0 - 2,000 ppm, (PID)	4,645.00
726-106-03-P1	E2,LEL(CAT)/Oxy/H2S/CO/CO2(IR 0-5%)/VOC(PID 0-50ppm)	4,945.00
726-106-03-P2	EAGLE 2 for LEL & PPM / O2 / H2S / CO / CO2 5% volume (IR) / VOC's 0 - 2,000 ppm, (PID)	4,645.00
726-106-05-P1	E2,LEL(CAT)/Oxy/H2S/CO/CO2(IR 0-60%vol)/VOC(PID 0-50ppm)	4,945.00
726-106-05-P2	EAGLE 2 for LEL & PPM / O2 / H2S / CO / CO2 60% volume (IR) / VOC's 0 - 2,000 ppm, (PID)	4,645.00
726-107-05-P2	EAGLE 2 for LEL & PPM / H2S / CO / NH3 / CO2 60% volume (IR) / VOC's 0 - 2,000 ppm, (PID)	4,945.00
726-108-P2	EAGLE 2 for LEL & PPM / O2 / CO / VOC's (0 - 2,000 ppm, PID) / Cl2 / NH3	4,545.00
726-109-P2	EAGLE 2 for O2 / H2S / CO / VOC's 0 - 2,000 ppm (PID) / SO2 / NH3	4,545.00
726-110-05-P2	EAGLE 2 for CH4 100% LEL / 100% volume (IR) autoranging / O2 / CO / H2S / CO2 60% volume (IR) / VOC's 0 - 2,000 ppm, (PID)	5,345.00
726-110-05-P21K	E2,CH4(IR Autoranging %LEL/%vol)/Oxy/H2S/CO(0-1000 ppm)/CO2(IR 0-60%vol)/VOC (PID 0-2,000ppm)	5,445.00
726-111-30-P1	EAGLE 2 for LEL & PPM / Methane CH4 100% volume (TC) / O2 / H2S / CO / VOC's (0 - 50 ppm, PID)	4,595.00

# Numerical Index

Part#	Description	Suggested Retail
726-111-30-P2	EAGLE 2 for LEL & PPM / Methane CH4 100% volume (TC) / O2 / H2S / CO / VOC's (0 - 2,000 ppm, PID)	4,295.00
726-112-P2	EAGLE 2 for LEL & PPM / O2 / CO / VOC's (0 - 2,000 ppm, PID) / HCN / NH3	4,545.00
726-114-05-P2	EAGLE 2 for LEL & PPM H2 (catalytic) / CH4 (100% LEL / 100% volume (IR) autoranging) / O2 / H2S / CO2 60% volume (IR) / VOC's 0 - 2,000 ppm (PID)	5,345.00
726-115-02	EAGLE 2 for LEL & PPM CH4 (catalytic) / CH4 (100% LEL / 100% volume (IR) autoranging) / O2 / H2S / CO / CO2 10,000 ppm (IR)	4,095.00
726-115-03	E2,LEL(CAT)/CH4(IR Autoranging)/Oxy/H2S/CO/CO2(IR 0-5%)	4,095.00
726-115-05	EAGLE 2 for LEL & PPM CH4 (catalytic) / CH4 (100% LEL / 100% volume (IR) autoranging) / O2 / H2S / CO / CO2 60% vol (IR)	4,095.00
726-116-02	EAGLE 2 for LEL & PPM / O2 / H2S / CO / CO2 10,000 ppm (IR) / HCN	3,695.00
726-117-P2	EAGLE 2 for CH4 (100% LEL / 100% volume (IR) autoranging) / O2 / H2S / CO / VOC's 0 - 2,000 ppm (PID) / NH3	4,945.00
726-118	EAGLE 2 for LEL & PPM / O2 / H2S / CO / HCN / SO2	3,295.00
726-119-02	EAGLE 2 for CH4 (100% LEL / 100% volume (IR) autoranging) / O2 / H2S / CO / CO2 10,000 ppm (IR) / SO2	4,395.00
726-120-02	EAGLE 2 for CH4 (100% LEL / 100% volume (IR) autoranging) / O2 / H2S / CO / CO2 10,000 ppm (IR) / NH3	4,395.00
726-120-05	EAGLE 2 for CH4 % LEL (IR) / O2 / H2S / CO / CO2 60% volume (IR) / NH3	4,395.00
726-121-P2	EAGLE 2 for LEL & PPM (catalytic) / CH4 (100% LEL / 100% volume (IR) autoranging) / O2 / H2S / CO / VOC's 0 - 2,000 ppm (PID) /	4,645.00
726-121-P2-ID	E2,LEL(CAT)/CH4(IR Autoranging %LEL/%vol)/Oxy/H2S/CO/VOC(PID 0-2,000ppm) w/internal LEL cat dilution	4,845.00
726-122-P2	EAGLE 2 for Hydrocarbons HC (100% LEL / 30% volume (IR) autoranging) / O2 / H2S / CO / VOC's 0 - 2,000 ppm (PID) / SO2	4,945.00
726-123-P2	EAGLE 2 for LEL & PPM / O2 / H2S / VOC's 0 - 2,000 ppm (PID) / HCN / SO2	4,545.00
726-124-P2	EAGLE 2 for LEL & PPM / O2 / CO / VOC's (0 - 2,000 ppm PID) / NH3 / PH3	4,545.00
726-125-P2	EAGLE 2 for LEL & PPM / O2 / H2S / CO / VOC's (0 - 2,000 ppm, PID) / HCN	4,245.00
726-126-02	EAGLE 2 for O2 / H2S / CO / CO2 10,000 ppm (IR) / SO2 / NH3	3,995.00
726-127	EAGLE 2 for LEL & PPM / O2 / CO / HCN / NH3 / CL2	3,595.00
726-128-P2	EAGLE 2 for LEL & PPM CH4 (catalytic) / CH4 (100% LEL / 100% volume (IR) autoranging) / O2 / H2S / VOC's 0 - 2,000 ppm (PID) / NH3	4,945.00
726-130	EAGLE 2 for CH4 (100% LEL / 100% volume (IR) autoranging) / O2 / H2S / CO / SO2 / NH3	3,995.00
726-131-P2	EAGLE 2 for LEL & PPM / O2 / CO / VOC's (0 - 2,000 ppm PID) / SO2 / NH3	4,545.00
726-132-30	E2,LEL(CAT)/CH4(TC 0-100%vol)/Oxy/H2S/CO/CH4(IR %LEL)	3,745.00
726-133	EAGLE 2 for LEL & PPM / O2 / CO / CL2 / SO2 / NH3	3,595.00
726-134-03-P2	E2,LEL(CAT)/O2/H2S/CO2(IR 0-5%vol)/VOC(PID 0-2,000ppm)/NH3	4,945.00
726-134-05-P2	EAGLE 2 for LEL & PPM / O2 / H2S / CO2 60% volume (IR) / VOC's 0 - 2,000 ppm (PID) / NH3	4,945.00
726-135-30	EAGLE 2 for LEL & PPM (catalytic) / Methane CH4 100% volume (TC) / O2 / H2S / CO / NH3	3,345.00
726-136-02	EAGLE 2 for LEL & PPM / O2 / CO / CO2 10,000 ppm (IR) / PH3 / NH3	3,995.00
726-138-H2-ID	E2,LEL(CAT H2 specific)/HC(IR Autoranging %LEL)/Oxy/H2S/CO/SO2,internal LEL cat dilution	3,995.00
726-140-ID	E2,LEL(CAT)/CH4(IR Autoranging %LEL)/Oxy/H2S/CO/SO2,internal LEL cat dilution	3,895.00
726-141-P2	E2,CH4(IR Autoranging %LEL/%vol)/Oxy/H2S/CO/VOC(PID 0-2,000ppm)/SO2	4,945.00
726-142-03	E2,LEL(CAT)/CH4(IR %volume)/Oxy/H2S/CO2(IR 0-5%)/HCN	4,395.00
726-144-03-P2	E2,LEL(CAT)/O2/CO/CO2(IR 0-5%)/VOC(PID 0-2,000ppm)/NH3	4,945.00
726-145-P2	E2,LEL(CAT)/HC(IR %LEL)/Oxy/H2S/CO/VOC(PID 0-2,000ppm)	4,645.00
726-146-03-P2	E2,HC(IR %LEL)/Oxy/H2S/CO/CO2(IR 0-5%vol)/VOC(PID 0-2,000ppm)	5,345.00
73-0022	GasWatch 3, H2S, with alligator clip	195.00
73-0022-01	GasWatch 3, H2S, with wrist band	195.00
73-0023	GasWatch 3, CO, Electrochemical sensor, with alligator clip	195.00
73-0023-01	GasWatch 3, CO, Electrochemical sensor, with wrist band	195.00
73-0025	GasWatch 3, CO with H2 compensated sensor, with alligator clip	495.00
73-0025-01	GasWatch 3, CO with H2 compensated sensor, with wrist band	495.00
73-0026	GasWatch 3, CO/O2 combination, with alligator clip	495.00
73-0026-01	GasWatch 3, CO/O2 combination, with wrist band	495.00
73-0052-ASH3	SC-8000 toxic gas detector,arsine,0-0.20 ppm,alkaline type	2,300.00
73-0052-CLF3	SC-8000 toxic gas detector,CIF3,0-0.300 ppm,alkaline type	2,300.00
73-0052-DMA	SC-8000 toxic gas detector,DMA (dimethylamine),0-15.0 ppm,alkaline type	2,300.00
73-0052-H2O2	SC-8000 toxic gas detector,H2O2,0-3.00 ppm,alkaline type	2,300.00
73-0052-H2O2-01	SC-8000 toxic gas detector,H2O2,0-0.500 ppm,alkaline type	2,300.00
73-0052-HF	SC-8000 toxic gas detector,hydrogen fluoride,0-9.00 ppm,alkaline type	2,300.00
73-0052P-CL2	SC-8000 toxic gas detector,chlorine,w/ES-K233,0-3.00 ppm,alkaline type,as purchased	2,300.00

# Numerical Index

Part#	Description	Suggested Retail
73-0053-ASH3	SC-8000 toxic gas detector,arsine,0-0.20 ppm,Li-ion type .....	2,455.00
73-0053-GEH4	SC-8000 toxic gas detector,germane,0-0.80 ppm,Li-ion type .....	2,455.00
73-0053-H2O2	SC-8000 toxic gas detector, hydrogen peroxide (H2O2), 0-3.00 ppm, Li-ion type .....	2,455.00
73-0053-H2O2-01	SC-8000 toxic gas detector,H2O2,0-0.5 ppm,Li-ion type .....	2,455.00
73-0053-HCL	SC-8000 toxic gas detector,hydrogen chloride,15,0 ppm,Li-ion type .....	2,455.00
73-0063	HS-04, Hydrogen Sulfide (H2S) 0-200 ppm, alkaline batteries and alligator clip .....	195.00
73-0065	CO-04, Carbon Monoxide (CO) 0-2000 ppm, alkaline batteries and alligator clip .....	195.00
73-0067	CO-04C, Carbon Monoxide (CO) 0-2,000 ppm with H2 compensation, alkaline batteries and alligator clip .....	495.00
73-0069	CX-04, Carbon Monoxide (CO) 0-2,000 ppm and Oxygen (O2) 0-25%, alkaline batteries with alligator clip .....	495.00
73-0071	SC-04, Hydrogen Cyanide (HCN) 0-30 ppm, alkaline batteries with alligator clip .....	495.00
73-0073	SC-04, Nitrogen Dioxide (NO2) 0-20 ppm, alkaline batteries with alligator clip .....	495.00
73-0075	SC-04, Chlorine (Cl2), 0-10 ppm, alkaline batteries with alligator clip .....	495.00
73-0077	SC-04, Ammonia (NH3), 0-400 ppm, alkaline batteries with alligator clip .....	495.00
73-0079	SC-04, Phosphine (PH3) 0-20.00 ppm, alkaline batteries with alligator clip .....	495.00
73-0081	SC-04, Sulfur Dioxide (SO2) 0-100 ppm, alkaline batteries with alligator clip .....	495.00
73-0615	RX-8000, 0-100% LEL & 0-100% vol CH4, & 0-25% O2, land version (methane calibration) with alkaline battery pack .....	2,395.00
73-0615C	RX-8000, 0-100% LEL & 0-100% vol CH4, & 0-25% O2, land version (methane calibration) with lithium ion battery pack and 115 / 220 VAC charger .....	2,440.00
73-0616	RX-8000, 0-100% LEL & 0-100% vol HC, & 0-25% O2, (isobutane calibration) with alkaline battery pack .....	2,395.00
73-0616C	RX-8000, 0-100% LEL & 0-100% vol HC, & 0-25% O2, (isobutane calibration) with lithium ion battery pack and 115 / 220 VAC charger .....	2,440.00
73-0617	RX-8000, 0-100% LEL & 0-100% vol CH4 (methane calibration) with alkaline battery pack .....	2,295.00
73-0617C	RX-8000, 0-100% LEL & 0-100% vol CH4 (methane calibration) with lithium ion battery pack and 115 / 220 VAC charger .....	2,340.00
73-0618	RX-8000, 0-100% LEL & 0-100% vol HC (isobutane calibration) with alkaline battery pack .....	2,295.00
73-0618C	RX-8000, 0-100% LEL & 0-100% vol HC (isobutane calibration) with lithium ion battery pack and 115 / 220 VAC charger .....	2,340.00
73-0620	RX-8500, 0-100% LEL & 0-100% Vol CH4 (methane calibration) / 0-40% oxygen / 0-1000 ppm CO / 0-20% CO2 with Li-Ion battery and charger .....	3,250.00
73-0622	RX-8700, 0-100% LEL & 0-100% Vol HC (isobutane calibration) / 0-40% Oxy / 0-100 ppm H2S & 0-1,000 ppm H2S,with Li-Ion battery & charger .....	3,250.00
73-1020RK-01	PS 2 for LEL detection, 24 VDC powered .....	425.00
73-1021RK-01	PS 2 for LEL detection, 115 VAC powered .....	435.00
73-1022RK-01	PS 2 for LEL detection, 48 VDC powered .....	495.00
73-1063	Model FP-31 (15 & 30 minute averages) Formaldehyde monitor .....	1,050.00
73-1202	EC-600 carbon monoxide monitor, 0-150 ppm, battery operated (2 AA batteries) .....	895.00
73-1202-03	EC-600 carbon monoxide monitor, 0-150 ppm, battery operated (2 AA batteries) with 3 meter sensor cable installed .....	1,035.00
73-1202-03-CSA	EC-600 carbon monoxide monitor, 0-150 ppm, battery operated (2 AA batteries) with 3 meter sensor cable installed, CSA version .....	1,050.00
73-1202-05	EC-600 carbon monoxide monitor, 0-150 ppm, battery operated (2 AA batteries) with 5 meter sensor cable installed .....	1,055.00
73-1202-05-CSA	EC-600 carbon monoxide monitor, 0-150 ppm, battery operated (2 AA batteries) with 5 meter sensor cable installed, CSA version .....	1,070.00
73-1202-10	EC-600 carbon monoxide monitor, 0-150 ppm, battery operated (2 AA batteries) with 10 meter sensor cable installed .....	1,095.00
73-1202-10-CSA	EC-600 carbon monoxide monitor, 0-150 ppm, battery operated (2 AA batteries) with 10 meter sensor cable installed, CSA version .....	1,110.00
73-1202-20	EC-600 carbon monoxide monitor, 0-150 ppm, battery operated (2 AA batteries) with 20 meter sensor cable installed .....	1,195.00
73-1202-20-CSA	EC-600 carbon monoxide monitor, 0-150 ppm, battery operated (2 AA batteries) with 20 meter sensor cable installed, CSA version .....	1,210.00
73-1202-CSA	EC-600 carbon monoxide monitor, 0-150 ppm, battery operated (2 AA batteries), CSA version .....	910.00
73-1203	EC-600 carbon monoxide monitor, 0-150 ppm, 24 VDC operation .....	895.00
73-1203-03	EC-600 carbon monoxide monitor, 0-150 ppm, 24 VDC operation with 3 meter sensor cable .....	1,035.00
73-1203-03-CSA	EC-600 carbon monoxide monitor, 0-150 ppm, 24 VDC operation with 3 meter sensor cable, CSA version .....	1,050.00
73-1203-05	EC-600 carbon monoxide monitor, 0-150 ppm, 24 VDC operation with 5 meter sensor cable .....	1,055.00
73-1203-05-CSA	EC-600 carbon monoxide monitor, 0-150 ppm, 24 VDC operation with 5 meter sensor cable, CSA version .....	1,070.00

# Numerical Index

Part#	Description	Suggested Retail
73-1203-10	EC-600 carbon monoxide monitor, 0-150 ppm, 24 VDC operation with 10 meter sensor cable	1,095.00
73-1203-10-CSA	EC-600 carbon monoxide monitor, 0-150 ppm, 24 VDC operation with 10 meter sensor cable, CSA version	1,110.00
73-1203-20	EC-600 CO monitor, 0-150 ppm, 24 VDC operated, with 20 meter extender cable	1,195.00
73-1203-20-CSA	EC-600 carbon monoxide monitor, 0-150 ppm, 24 VDC operation with 20 meter sensor cable, CSA version	1,210.00
73-1203-CSA	EC-600 carbon monoxide monitor, 0-150 ppm, 24 VDC operation, CSA version	910.00
73-1204	EC-600 carbon monoxide monitor, 0-150 ppm, 115 VAC operation	895.00
73-1204-03	EC-600 carbon monoxide monitor, 0-150 ppm, 115 VAC operation with 3 meter sensor cable	1,035.00
73-1204-03-CSA	EC-600 carbon monoxide monitor, 0-150 ppm, 115 VAC operation with 3 meter sensor cable, CSA version	1,050.00
73-1204-05	EC-600 carbon monoxide monitor, 0-150 ppm, 115 VAC operation with 5 meter sensor cable	1,055.00
73-1204-05-CSA	EC-600 carbon monoxide monitor, 0-150 ppm, 115 VAC operation with 5 meter sensor cable, CSA version	1,070.00
73-1204-10	EC-600 carbon monoxide monitor, 0-150 ppm, 115 VAC operation with 10 meter sensor cable	1,095.00
73-1204-10-CSA	EC-600 carbon monoxide monitor, 0-150 ppm, 115 VAC operation with 10 meter sensor cable, CSA version	1,110.00
73-1204-20	EC-600 carbon monoxide monitor, 0-150 ppm, 115 VAC operation with 20 meter sensor cable	1,195.00
73-1204-20-CSA	EC-600 carbon monoxide monitor, 0-150 ppm, 115 VAC operation with 20 meter sensor cable, CSA version	1,210.00
73-1204-CSA	EC-600 carbon monoxide monitor, 0-150 ppm, 115 VAC operation, CSA version	910.00
73-1205-02K	RI-600 carbon dioxide monitor, 0-2000 ppm, 24 VDC operation	920.00
73-1205-05K	RI-600 carbon dioxide monitor, 0-5000 ppm, 24 VDC operation	920.00
73-1205-10K	RI-600 carbon dioxide monitor, 0-10,000 ppm, 24 VDC operation	920.00
73-1205-20K	RI-600 carbon dioxide monitor, 0-2.00%, 24 VDC operation	920.00
73-1205-50K	RI-600 carbon dioxide monitor, 0-5.00%, 24 VDC operation	920.00
73-1206-02K	RI-600 carbon dioxide monitor, 0-2000 ppm, 115 VAC operation	920.00
73-1206-05K	RI-600 carbon dioxide monitor, 0-5000 ppm, 115 VAC operation	920.00
73-1206-10K	RI-600 carbon dioxide monitor, 0-10,000 ppm, 115 VAC operation	920.00
73-1206-20K	RI-600 carbon dioxide monitor, 0-2.00%, 115 VAC operation	920.00
73-1206-50K	RI-600 carbon dioxide monitor, 0-5.00%, 115 VAC operation	920.00
73-4021-33-01	FI-8000 for fumigation, hand aspirated type with alkaline batteries, 48 mm chamber length, 0-100% NH3	4,600.00
73-4021-XX-01	FI-8000 for fumigation, hand aspirated type with alkaline batteries, 48 mm chamber length, specify gas and range	4,600.00
73-4021-XX-01P	FI-8000 for fumigation, pump type with alkaline batteries, 48 mm chamber length, specify gas and range	4,600.00
73-4022-02-01	FI-8000, pump type, alkaline batteries, fumigation, 0-200 g/m3 sulfuryl fluoride (SO2F2)	4,600.00
73-4024-21-01	FI-8000, pump type, lithium ion battery pack, anesthetic, 0-8% isoflurane	5,150.00
74-429	AirLink 6940 quad transmitter for 2 sensors, explosion proof, battery powered, wireless 900 MHz radio, sensor assemblies selection needed	4,040.00
74-429NXP	AirLink 6940NXP quad transmitter for 2 sensors, non explosion proof, AC powered, wireless 900 MHz radio, sensor assemblies selection needed	2,560.00
74-439	AirLink 6940 quad transmitter for 3 sensors, explosion proof, battery powered, wireless 900 MHz radio, sensor assemblies selection needed	4,040.00
74-439NXP	AirLink 6940NXP quad transmitter for 3 sensors, non explosion proof, AC powered, wireless 900 MHz radio, sensor assemblies selection needed	2,560.00
74-449	AirLink 6940 quad transmitter for 4 sensors, explosion proof, battery powered, wireless 900 MHz radio, sensor assemblies selection needed	4,040.00
74-449NXP	AirLink 6940NXP quad transmitter for 4 sensors, non explosion proof, AC powered, wireless 900 MHz radio, sensor assemblies selection needed	2,560.00
74-7210-A-32	Airlink 7010 controller, 32 channels with 100-240 VAC, 2.4 GHz radio	2,900.00
74-7210-A-64	Airlink 7010 controller, 64 channels with 100-240 VAC, 2.4 GHz radio	3,630.00
74-7210-D-32	Airlink 7010 controller, 32 channels with 12-35 VDC, 2.4 GHz radio	2,680.00
74-7210-D-64	Airlink 7010 controller, 64 channels with 12-35 VDC, 2.4 GHz radio	3,450.00
74-7232-A-32	Airlink 7032 controller, 32 channels with 100-240 VAC power, 4 relays, Modbus out, 2.4 GHz radio	4,300.00
74-7232-A-64	Airlink 7032 controller, 64 channels with 100-240 VAC power, 4 relays, Modbus out, 2.4 GHz radio	5,080.00
74-7232-D-32	Airlink 7032 controller, 32 channels with 12-35 VDC power, 4 relays, Modbus out, 2.4 GHz radio	4,080.00
74-7232-D-64	Airlink 7032 controller, 64 channels with 12-35 VDC power, 4 relays, Modbus out, 2.4 GHz radio	4,885.00
74-7243-A	Airlink 7543 controller, 6 channel with 100-240 VAC power, 3 relays, Modbus out, 2.4 MHz radio	2,280.00
74-7243-D	Airlink 7543 controller, 6 channel with 12-35 VDC power, 3 relays, Modbus out, 2.4 MHz radio	2,060.00

# Numerical Index

Part#	Description	Suggested Retail
74-7408-A	AC-7408 Controller, 8 channels, AC powered .....	3,020.00
74-7408-D	AC-7408 Controller, 8 channels, DC powered .....	2,820.00
74-7412-A	AC-7412 Controller, 12 channels, AC powered .....	3,720.00
74-7412-D	AC-7412 Controller, 12 channels, DC powered .....	3,520.00
74-7464	MC-6400 .....	1,850.00
74-7464-A	MC-6400 Modbus controller, 64 channels with 100-240 VAC power power supply, 4 relays, Modbus in/out .....	2,280.00
74-7464-D	MC-6400 Modbus controller, 64 channels with 12-35 VDC power power supply, 4 relays, Modbus in/out .....	2,040.00
74-7910-A-32	Airlink 7010 controller, 32 channels with 100-240 VAC, 900 MHz radio .....	2,900.00
74-7910-A-64	Airlink 7010 controller, 64 channels with 100-240 VAC, 900 MHz radio .....	3,630.00
74-7910-D-32	Airlink 7010 controller, 32 channels with 12-35 VDC, 900 MHz radio .....	2,680.00
74-7910-D-64	Airlink 7010 controller, 64 channels with 12-35 VDC, 900 MHz radio .....	3,450.00
74-7932-A-32	Airlink 7032 controller, 32 channels with 100-240 VAC, 4 relays, Modbus out, 900 MHz radio .....	4,300.00
74-7932-A-64	Airlink 7032 controller, 64 channels with 100-240 VAC, 4 relays, Modbus out, 900 MHz radio .....	5,080.00
74-7932-D-32	Airlink 7032 controller, 32 channels with 12-35 VDC, 4 relays, Modbus out, 900 MHz radio .....	4,080.00
74-7932-D-64	Airlink 7032 controller, 64 channels with 12-35 VDC, 4 relays, Modbus out, 900 MHz radio .....	4,885.00
74-7943-A	Airlink 7543 controller, 6 channel with 100-240 VAC power, 3 relays, Modbus out, 900 MHz radio .....	2,280.00
74-7943-A-HLP	Airlink 7543 controller, 6 channel with 100-240 VAC power, 3 relays, Modbus out, 900 MHz radio, with strobe, horn, and power cord .....	2,350.00
74-7943-D	Airlink 7543 controller, 6 channel with 12-35 VDC power, 3 relays, Modbus out, 900 MHz radio .....	2,060.00
74-9100-2	AirLink 9100 Signal strength meter, 2.4 GHz radio, Li-Ion batteries .....	1,320.00
74-9100-9	AirLink 9100 Signal strength meter, 900 MHz radio, Li-Ion batteries .....	1,320.00
74-9850-2-A	AirLink 9850 Interface, 255 wireless channels with 100-240 VAC power and 2.4 GHz radio, RS-232/RS-485 Modbus output .....	2,520.00
74-9850-2-D	AirLink 9850 Interface, 255 wireless channels with 12-35 VDC power and 2.4 GHz radio, RS-232/RS-485 Modbus output .....	2,320.00
74-9850-9-A	AirLink 9850 Interface, 255 wireless channels with 100-240 VAC power and 900 MHz radio, RS-232/RS-485 Modbus output .....	2,520.00
74-9850-9-D	AirLink 9850 Interface, 255 wireless channels with 12-35 VDC power and 900 MHz radio, RS-232/RS-485 Modbus output .....	2,320.00
75-0001RK	External methane elimination switch added to EAGLE .....	95.00
75-0004RK	Recorder output board, 8 outputs, 4-20 mA or 1-5 VDC, added to Beacon 800 .....	300.00
75-0004RK-01	Field instal. kit,rec out PCB,1-5 V/4-20 mA,B-800 .....	300.00
75-0005RK	Heavy duty relay board, 4 relays at 30 amps, added to Beacon 800 .....	200.00
75-0006RK	Relay board and recorder output board, added to Beacon 800 .....	480.00
75-0039	Benzene specific upgrade kit with PID-003L sensor, Benzene pre-filter tube holder, and Benzene pre-filter tubes (box of 10 tubes) .....	2,300.00
75-0040	11.7 eV PID sensor upgrade kit with PID-004 sensor, dehumidifier tube, and charcoal filter .....	2,200.00
79-1017-03	Model 1017 explosion proof combustible sample draw, 0-100 % LEL with NC-6245 sensor .....	1,500.00
79-1017-07	Model 1017 explosion proof combustible sample draw, 0-100 %LEL with IR HC sensor .....	1,800.00
79-1017F-01	Model 1017 explosion proof oxygen sample draw .....	1,500.00
80-0006-03	Hose for GX-6000/RX-8500/RX-8700, Teflon lined, 3 ft, no probe .....	45.00
80-0006-03P	Hose, 3' for GX-6000, Teflon lined with probe attached .....	65.00
80-0006-03P-01	Hose for GX-6000, Teflon lined, 3 ft, with probe attached,no dust filter .....	65.00
80-0006-05	Hose for GX-6000, Teflon lined, 5 ft, no probe .....	50.00
80-0006-05P	Hose, 5' for GX-6000, Teflon lined with probe attached .....	75.00
80-0006-05P-01	Hose for GX-6000, Teflon lined, 5 ft, with probe attached,no dust filter .....	75.00
80-0006-10	Hose for GX-6000, Teflon lined, 10 ft, no probe.....	80.00
80-0006-10P	Hose, 10' for GX-6000, Teflon lined with probe attached .....	100.00
80-0006-10P-01	Hose for GX-6000, Teflon lined, 10 ft, with probe attached,no dust filter .....	100.00
80-0006-15	Hose for GX-6000, Teflon lined, 15 ft, no probe.....	105.00
80-0006-15P	Hose, 15' for GX-6000, Teflon lined with probe attached .....	125.00
80-0006-15P-01	Hose for GX-6000, Teflon lined, 15 ft, with probe attached,no dust filter .....	125.00
80-0006-20	Hose for GX-6000, Teflon lined, 20 ft, no probe.....	130.00
80-0006-20P	Hose, 20' for GX-6000, Teflon lined with probe attached .....	150.00
80-0006-20P-01	Hose for GX-6000, Teflon lined, 20 ft,with probe attached,no dust filter .....	150.00
80-0006-25	Hose for GX-6000, Teflon lined, 25 ft, no probe.....	150.00
80-0006-25P	Hose, 25' for GX-6000, Teflon lined with probe attached .....	170.00
80-0006-25P-01	Hose for GX-6000, Teflon lined, 25 ft, with probe attached,no dust filter .....	170.00
80-0006-30	Hose for GX-6000, Teflon lined, 30 ft, no probe.....	175.00

# Numerical Index

Part#	Description	Suggested Retail
80-0006-30P	Hose, 30' for GX-6000, Teflon lined with probe attached .....	195.00
80-0006-30P-01	Hose for GX-6000, Teflon lined, 30 ft, with probe attached,no dust filter .....	195.00
80-0006-35	Hose for GX-6000, Teflon lined, 35 ft, no probe.....	200.00
80-0006-35P	Hose, 35' for GX-6000, Teflon lined with probe attached .....	220.00
80-0006-40	Hose for GX-6000, Teflon lined, 40 ft, no probe.....	225.00
80-0006-40P	Hose, 40' for GX-6000, Teflon lined with probe attached .....	245.00
80-0006-50	Hose for GX-6000, Teflon lined, 50 ft, no probe.....	270.00
80-0006-50P	Hose for GX-6000, Teflon lined, 50 ft, probe with dust filter attached .....	290.00
80-0006-60	Hose for GX-6000, Teflon lined, 60 ft, no probe.....	315.00
80-0006-60P	Hose for GX-6000, Teflon lined, 60 ft, probe with dust filter attached .....	335.00
80-0006-75	Hose for GX-6000, Teflon lined, 75 ft, no probe.....	385.00
80-0006-75P	Hose for GX-6000, Teflon lined, 75 ft, probe with dust filter attached .....	405.00
80-0006-99	Hose for GX-6000, Teflon lined, 100 ft, no probe .....	505.00
80-0006-99P	Hose for GX-6000, Teflon lined, 100 ft, probe with dust filter attached .....	525.00
80-0007RK-03	Hose, 3', polyurethane, GX-1, GP-204, OX-1 .....	48.00
80-0007RK-05	Hose,5',polyurethane,GP-204/OX-1 .....	50.00
80-0007RK-10	Hose, 10', polyurethane, GX-1, GP-204, OX-1 .....	52.00
80-0007RK-12	Hose,12',polyurethane,GP-204/OX-1 .....	55.00
80-0007RK-15	Hose,15',polyurethane,GP-204/OX-1 .....	57.00
80-0007RK-20	Hose,20',polyurethane,GP-204/OX-1 .....	59.00
80-0007RK-30	Hose,30',polyurethane,GP-204/OX-1 .....	64.00
80-0007RK-40	Hose,40',polyurethane,GP-204/OX-1 .....	68.00
80-0007RK-50	Hose,50',polyurethane,GP-204/OX-1 .....	72.00
80-0007RK-60	Hose,60',polyurethane,GP-204/OX-1 .....	76.00
80-0007RK-75	Hose,75',polyurethane,GP-204/OX-1 .....	82.00
80-0009RK-02	Hose,2', polyurethane, GX-2012/Gas Tracer/GX-20003/RP-3R/RP-2009 .....	30.00
80-0009RK-03	Hose,3',polyurethane, GX-2003/GX-2012/Gas Tracer .....	31.00
80-0009RK-04	Hose,4', polyurethane, GX-2012/Gas Tracer/GX-20003/RP-3R/RP-2009 .....	31.00
80-0009RK-05	Hose, 5', polyurethane, GX-2012/Gas Tracer/GX-20003/RP-3R/RP-2009 .....	32.00
80-0009RK-10	Hose, 10', polyurethane, GX-2012/Gas Tracer/GX-20003/RP-3R/RP-3R/RP-2009 .....	36.00
80-0009RK-15	Hose, 15', polyurethane, GX-2012/Gas Tracer/GX-20003/RP-3R/RP-2009 .....	38.00
80-0009RK-20	Hose, 20', polyurethane, GX-2012/Gas Tracer/GX-20003/RP-3R/RP-2009 .....	40.00
80-0009RK-25	Hose, 25', polyurethane, GX-2012/Gas Tracer/GX-20003/RP-3R/RP-2009 .....	42.00
80-0009RK-30	Hose, 30', polyurethane, GX-2012/Gas Tracer/GX-20003/RP-3R/RP-2009 .....	46.00
80-0009RK-35	Hose, 35', polyurethane, GX-2012/Gas Tracer/GX-20003/RP-3R/RP-2009 .....	50.00
80-0009RK-40	Hose, 40', polyurethane, GX-2012/Gas Tracer/GX-20003/RP-3R/RP-2009 .....	54.00
80-0009RK-45	Hose, 45', polyurethane, GX-2012/Gas Tracer/GX-20003/RP-3R/RP-2009 .....	58.00
80-0009RK-50	Hose, 50', polyurethane, GX-2012/Gas Tracer/GX-20003/RP-3R/RP-2009 .....	72.00
80-0009RK-60	Hose, 60', polyurethane, GX-2012/Gas Tracer/GX-20003/RP-3R/RP-2009 .....	80.00
80-0009RK-75	Hose, 75', polyurethane, GX-2012/Gas Tracer/GX-20003/RP-3R/RP-2009 .....	86.00
80-0009RK-99	Hose, 100', polyurethane, RKI style, GX-2012/Gas Tracer/GX-20003/RP-3R/RP-2009 .....	98.00
80-0011RK	Hose, 30 meter, quick disconnect, RI-415 marine version, Riken style (orange) .....	240.00
80-0011RK-01	Hose, 30 meter, quick disc, RI-415 marine version, with EAGLE adapter (orange) .....	235.00
80-0012RK	Hose, 3' coiled, polyurethane, RI-411/RI-413A/GP-226/GX-8000/RX-8000 .....	45.00
80-0015RK	Connection tube for RI-415, 1', female GX-7 to 4 x 6 mm tube.....	16.00
80-0016RK	Connection tube, RX-415, 1',fem GX-7 both ends .....	16.00
80-0019RK	Hose,gas sampling,RX-515/RX-516/RX-517 .....	80.00
80-0020RK	Coiled tubing with connectors, 3' (for connection to GX-2009 / GX-2001 adaptor) .....	65.00
80-0022RK	Connection tube for GX-8000/RX-515/RX-516/RX-517/RX-8500/RX-8700/GX-8000 .....	20.00
80-0050RK	Hose, Teflon, 1/8 ID x 1/4 OD, SS Braided, 18" long .....	110.00
80-0101RK	Hose with floating head, 8 meters (25 feet), with GX-/RX- series .....	100.00
80-0101RK-60	Hose with floating head, 60 ft, with GX-7 fitting, RX- series .....	125.00
80-0101RKE	Floating ball / hose assembly, 25', with EAGLE/EAGLE 2 fitting .....	120.00
80-0101RKE-60	Hose with floating head, 60 ft, EAGLE / EAGLE 2 .....	145.00
80-0103RK	Hose, 30 meter, with float type sampling head, for RX-415/RX-516/RX-517/RX-8500/RX-8700 .....	375.00
80-0130RK-10	Probe,10",hydrophobic, Eagle, GX-7 .....	65.00
80-0131RK-10	Probe, 10", hydrophobic, standard, with particle filter and metal fittings, EAGLE / EAGLE 2 .....	55.00
80-0131RK-20	Probe, 10", hydrophobic, standard, without particle filter, with metal fittings, for EAGLE 2 with PID .....	54.00
80-0132RK-10	Probe, 10", hydrophobic, without particle filter, with plastic fittings for toxic gas versions (HCL/CLO2/etc), EAGLE .....	54.00
80-0133RK-10	Probe, 30", aluminum, with particle filter and 1641 fittings, EAGLE .....	95.00

# Numerical Index

Part#	Description	Suggested Retail
80-0133RK-20	Probe, 30", aluminum, without particle filter and 1641 fittings, EAGLE .....	95.00
80-0134RK-10	Probe, 4', stainless steel, with particle filter, handle, and 1641 fittings, EAGLE .....	260.00
80-0134RK-20	Probe, 4', stainless steel, without particle filter, handle, and 1641 fittings, EAGLE .....	250.00
80-0135RK-10	Probe, 30", stainless steel, with particle filter and 1641 fittings, EAGLE .....	110.00
80-0135RK-20	Probe, 30", stainless steel, without particle filter and 1641 fittings, EAGLE .....	110.00
80-0136RK	Probe, 32", extendable (10" collapsed), fiberglass, with dust filter, (cotton ball), EAGLE / EAGLE 2 .....	76.00
80-0137RK	Probe, 10" plastic, with dust filter (cotton ball), for EAGLE .....	38.00
80-0138RK	Stainless steel probe, 4 feet with filter for GX-2012 .....	180.00
80-0139RK-01	Telescoping probe, 10', with hose for GX-82/86/GX- series .....	240.00
80-0140RK	Extendable probe, 32" (collapsible), fiberglass with filter for GX-2003/GX-2012/Gas Tracer .....	84.00
80-0142RK-10	Probe, 30", fiberglass, for bar hole, with particle filter, EAGLE .....	88.00
80-0142RK-20	Probe, 30", fiberglass, for bar hole, without particle filter, EAGLE .....	88.00
80-0143RK	Extendable probe, 7' (collapsible to 2'), fiberglass with filter for EAGLE .....	88.00
80-0144RK	Extendable probe, 7' (collapsible to 2'), fiberglass with filter for GX-2003/GX-2012/Gas Tracer .....	88.00
80-0150RK	Probe assembly, 10", with cotton ball filter .....	25.00
80-0155RK	Probe assembly, 30", aluminum, with cotton ball filter, for GX-2003/GX-2012/Gas Tracer .....	65.00
80-0156RK-10	Probe, 30", fiberglass, rigid with particle filter, EAGLE .....	80.00
80-0156RK-20	Probe, 30", fiberglass, rigid without particle filter, EAGLE .....	80.00
80-0157RK	Bar hole probe, 30" fiberglass for GX-2003/GX-2012/Gas Tracer .....	70.00
80-0158RK	Probe with excess bypass for GX-2003/GX-2012/Gas Tracer .....	15.00
80-0159RK	Probe assembly, 10 inch, w/1/4 x 1/8 probe tube, GX-82 .....	33.00
80-0160RK-12	Extendable probe, 12', with 1641 fittings, EAGLE .....	250.00
80-0160RK-18	Extendable probe, 18', with 1641 fittings, EAGLE .....	250.00
80-0161RK	Flexible 10" probe tube without instrument adapter, clear plastic .....	40.00
80-0161RK-24	Flexible 24" probe tube without instrument adapter, clear plastic .....	45.00
80-0162RK	Flexible 10" probe tube with female quick-connect (attaches to instrument) .....	75.00
80-0162RK-24	Flexible 24" probe tube with female quick-connect (attaches to instrument) .....	75.00
80-0163	Probe with tube, GF-267 for GX-6000 .....	26.00
80-0165RK-12	Extendable probe, 12', twist fitting, GX-2003/GX-2012 .....	250.00
80-0165RK-18	Extendable probe, 18', twist fitting, GX-2003/GX-2012 .....	250.00
80-0172	Probe with hydrophobic filter, dust filter, no scrubber section, for GX-6000 (not for Cl2 use)/ GX-8000/RX-8000 .....	35.00
80-0172-01	Probe with hydrophobic filter, no dust filter or scrubber section, for GX-6000 (Cl2 use) .....	33.00
80-0174	Benzene pre-filter tube holder, GX-6000 .....	140.00
80-0174-10	Tube tip breaker, for 80-0174 tube holder, GX-6000 .....	13.00
80-0174-11	Bottom breakaway part, for 80-0174 tube holder .....	2.00
80-0176	Diluter adapter for bulk carrier application, GX-8000 .....	395.00
80-0182RK	Probe, with internal paper dust filter, pleated paper type, EAGLE/GX-4000A .....	95.00
80-0200RK	Water trap, bowl type, for GP-204 .....	35.00
80-0211RK	Water Trap (bowl type) with 1641 fittings with pleated paper filter, EAGLE .....	120.00
80-0213-01	Filter element for ML-401-BC (80-0213RK) water trap .....	30.00
80-0213RK	Water trap, bowl type, for GX-7/GP-226/RI-411/RI-413A .....	75.00
80-0224RK	Filter, hydrophobic, in-line type (ACRO-50), with EAGLE fittings (1641) .....	75.00
80-0225RK	Hydrophobic filter, in line, ACRO - 50 with fittings for GX-7/GX-2001/GX-2003/GX-2012/Gas Tracer and RX-415 .....	75.00
80-0226RK	Hydrophobic filter, external, in-line, for EAGLE supertoxic versions, ACRO-50 with teflon tube, EAGLE ...	65.00
80-0402	Diluter (Gas: Air = 1:1) .....	88.00
80-0404RK	Dilution fitting, 50:50 for GX-2003/-2012/Gas Tracer/RP-2009/RP-6/RP-3R .....	95.00
80-0405RK	Dilution fitting 50:50, for EAGLE only (for use with hose & probe), with 1641 fittings .....	95.00
80-0406RK	Dilution fitting 3 to 1 for EAGLE only (for use with hose & probe), with 1641 fittings .....	120.00
80-0411RK	Adapter, 1641 male to GX-7 male .....	24.00
80-0503RK	Hose, 3 feet, W/1641 fittings, EAGLE .....	38.00
80-0505RK	Hose, 5', polyurethane with fittings (standard gas versions only), EAGLE / EAGLE 2 .....	40.00
80-0506RK	Hose, 6', polyurethane, EAGLE, with 1641 fittings .....	42.00
80-0510RK	Hose, 10', polyurethane (for standard gases only), with 1641 fittings, EAGLE/EAGLE 2 .....	45.00
80-0515RK	Hose, 15', polyurethane (for standard gases only), with 1641 fittings, EAGLE/EAGLE 2 .....	50.00
80-0520RK	Hose, 20', polyurethane (for standard gases only), with 1641 fittings, EAGLE/EAGLE 2 .....	55.00
80-0525RK	Hose, 25', polyurethane (for standard gases only), with 1641 fittings, EAGLE/EAGLE 2 .....	60.00
80-0530RK	Hose, 30', polyurethane (for standard gases only), with 1641 fittings, EAGLE/EAGLE 2 .....	70.00
80-0535RK	Hose, 35 feet, W/1641 fittings, EAGLE .....	75.00
80-0540RK	Hose, 40', polyurethane (for standard gases only), with 1641 fittings, EAGLE/EAGLE 2 .....	80.00

# Numerical Index

Part#	Description	Suggested Retail
80-0550RK	Hose, 50', polyurethane (for standard gases only), with 1641 fittings, EAGLE/EAGLE 2	90.00
80-0560RK	Hose, 60', polyurethane (for standard gases only), with 1641 fittings, EAGLE/EAGLE 2	100.00
80-0575RK	Hose, 75', polyurethane (for standard gases only), with 1641 fittings, EAGLE/EAGLE 2	115.00
80-0599RK	Hose, 100', polyurethane (for standard gases only), with 1641 fittings, EAGLE/EAGLE 2	140.00
80-0599RK-125	Hose, 125', polyurethane (for standard gases only), with 1641 fittings, EAGLE/EAGLE 2	170.00
80-0605RK	Hose, 5' teflon lined, with fittings (PID versions only), EAGLE / EAGLE 2	110.00
80-0610RK	Hose, 10 ft, w/1641 fittings, teflon w/polyurethane jacket, Eagle/Eagle2	130.00
80-0620RK	Hose, 20' teflon lined, with fittings (PID versions only), EAGLE/EAGLE 2	195.00
80-0802RK	Float probe assembly, 12'; (without dilution fitting), EAGLE tank tester version	420.00
81-0000RK-01	Cylinder, H2, 1000 ppm in air, 34L steel	55.00
81-0000RK-03	Cylinder, H2, 1000 ppm in air, 103L steel	150.00
81-0000RK-21	Cylinder, H2, 2000 ppm in air, 34L steel	55.00
81-0000RK-23	Cylinder, H2, 2000 ppm in air, 103L steel	150.00
81-0000RK-31	Cylinder, H2, 4000 ppm in air, 34L steel	55.00
81-0000RK-33	Cylinder, H2, 4000 ppm in air, 103L steel	150.00
81-0000RK-41	Cylinder, H2, 3000 ppm in air, 34L steel	55.00
81-0000RK-51	Cylinder, H2, 200 ppm in air, 34L steel	55.00
81-0000RK-61	Cylinder, H2, 5000 ppm in air, 34L steel	55.00
81-0000RK-63	Cylinder, H2, 5000 ppm in air, 103L steel	150.00
81-0000RK-71	Cylinder, H2 500 ppm in air, 34L steel	55.00
81-0000RK-73	Cylinder, H2, 500 ppm in air, 103L steel	150.00
81-0001-01	Cylinder, H2 40% LEL (1.6% vol) in air, 34L steel	55.00
81-0001RK-01	Cylinder, H2, 25% LEL in air, 34L steel	55.00
81-0001RK-21	Cylinder, H2, 1.2%(30% LEL) in air, 34L steel	55.00
81-0001RK-23	Cylinder, H2, 1.2%(30% LEL) in air, 103L steel	150.00
81-0001RK-31	Cylinder, H2, 1.3% vol (33 % LEL) in air, 34L steel	55.00
81-0001RK-33	Cylinder, H2, 2% in Helium, 103L steel	550.00
81-0001RK-60	Cylinder, H2 60% LEL in air, 34L steel	55.00
81-0002RK-01	Cylinder, H2, 50% LEL in air, 34L steel	55.00
81-0002RK-03	Cylinder, H2, 50% LEL in air, 103L steel	150.00
81-0002RK-04	Cylinder, H2 50% LEL in Air, 34AL for EU	150.00
81-0002RKA-01	Cylinder, H2 50% LEL/O2 12% in N2, 34L steel	55.00
81-0003RK-01	Cylinder, Propane 25% LEL in air, 34L steel	55.00
81-0003RK-03	Cylinder, Propane 25% LEL in air, 103L steel	150.00
81-0003RK-11	Cylinder, Propane 10% LEL in air, 34L steel	45.00
81-0003RK-13	Cylinder, Propane 10% LEL in air, 103L steel	150.00
81-0003RK-23	Cylinder, Propane 20% LEL in Air, 103L	150.00
81-0003RK-33	Cylinder, Propane 30% LEL in air, 103L steel	150.00
81-0004RK-01	Cylinder, Propane 50% LEL in air, 34L steel	55.00
81-0004RK-03	Cylinder, Propane 50% LEL/air, 103L steel	150.00
81-0005RK-01	Cylinder, Propane 1000 ppm in air, 34L steel	55.00
81-0006RK-01	Cylinder, nButane 9000 ppm/air, 34L steel	55.00
81-0007RK-01	Cylinder, Hexane 15% LEL/air, 34L steel	55.00
81-0007RK-03	Cylinder, Hexane 10% LEL (0.11%) in air, 103L steel	150.00
81-0009RK	Cylinder, Hexane 40% LEL in air, 17L steel	45.00
81-0010RK-01	Cylinder, CH4 10% LEL in air, 34L steel	55.00
81-0010RK-03	Cylinder, CH4 10% LEL in air, 103L steel	150.00
81-0010RK-36	Cylinder, CH4 35% LEL in Air, 552L, CGA580	360.00
81-0011RK-01	Cylinder, CH4 10% vol in N2, 34L steel	55.00
81-001235-552	Cylinder, CH4 35% LEL in N2, 552L	360.00
81-001240-01	Cylinder, CH4 40% LEL in air, 34L steel	55.00
81-001265-552	Cylinder, CH4 65% LEL in N2, 552L	360.00
81-0012RK	Cylinder, CH4 50% LEL in air, 17L steel	45.00
81-0012RK-01	Cylinder, CH4 50% LEL in air, 34L steel	55.00
81-0012RK-03	Cylinder, CH4 50% LEL/air, 103L steel	150.00
81-0012RK-04	Cylinder, CH4 50% LEL in Air, 34AL for EU	150.00
81-0012RK-21	Cylinder, CH4 25% LEL in air, 34L steel	55.00
81-0012RK-23	Cylinder, CH4 25% LEL in air, 103L	150.00
81-0013RK-01	Cylinder, CH4 50% volume in N2, 34L steel	55.00
81-0013RK-02	Cylinder, CH4 50% volume in N2, 58AL aluminum	150.00
81-0013RK-03	Cylinder, CH4 50% volume in N2, 103L	150.00



# Numerical Index

Part#	Description	Suggested Retail
81-0013RK-05	Cylinder, CH4 50% volume in N2, 58L steel	160.00
81-0014	Cylinder, IPA 1000 ppm in Air, 17L	75.00
81-0014RK	Cylinder, IPA, 10% LEL in air, 17L steel size (8 liters gas) 120 psi	55.00
81-0015RK-03	Cylinder, CH4 5% LEL in air, 103L steel	150.00
81-0016RK-05	Cylinder, CH4 100% volume 58L steel	150.00
81-0017RK-01	Cylinder, isobutane 500 ppm in air, 34L steel	55.00
81-0018RK-01	Cylinder, isobutane 50% LEL in air, 34L steel	55.00
81-0018RK-03	Cylinder, isobutane 50% LEL in air, 103L steel	150.00
81-0019RK	Cylinder, isobutane 10% volume in N2, 17L steel	45.00
81-0019RK-02	Cylinder, isoButane 10% in N2, 34AL	150.00
81-0019RK-05	Cylinder, isoButane 10% in N2, 58L steel	150.00
81-0020RK	Cylinder, CH4 20% LEL in air, 17L steel	45.00
81-0020RK-03	Cylinder, CH4 20% LEL in air, 103L steel	150.00
81-0021RK-01	Cylinder, isobutane 20% LEL in air, 34L steel	55.00
81-0022RK-01	Cylinder, H2 4% vol in N2, 34L steel	55.00
81-0023RK-01	Cylinder, H2 8% volume in N2, 34L steel	120.00
81-0024RK-01	Cylinder, Hydrogen 100%, 34L steel	55.00
81-0024RK-05	Cylinder, Hydrogen 100%, 58L	130.00
81-0025RK-01	Cylinder, CO2 35% / CH4 50% volume balance N2, 34L steel	55.00
81-0026RK-01	Cylinder, isobutane 250 ppm in air, 34L steel	55.00
81-0026RK-03	Cylinder, isobutane 250 ppm in air, 103L steel	150.00
81-0027-05	Cylinder, CO2 40% / CH4 60% volume in N2, 58L steel	130.00
81-0029RK	Cylinder, Ethylene 100% vol, 17L steel	45.00
81-0030RK-03	Cylinder, Ethylene 2000 ppm in air, 103L	150.00
81-0031RK-01	Cylinder, CH4 40% LEL (2% vol) in air, 34L steel	55.00
81-0032RK-01	Cylinder, H2 250 ppm in air, 34L steel	55.00
81-0032RK-03	Cylinder, H2 250 ppm in air, 103L	150.00
81-0032RK-05	Cylinder, H2 250 ppm in air, 58L	150.00
81-0033RK-01	Cylinder, H2, 100 ppm in air, 34L steel	55.00
81-0033RK-03	Cylinder, H2, 100 ppm in air, 103L steel	150.00
81-0034RK-01	Cylinder, H2, 50 ppm in air, 34L steel	55.00
81-0034RK-03	Cylinder, H2, 50 ppm in air, 103L steel	150.00
81-0035RK-01	Cylinder, IPA, 1000 ppm in air, 34L steel	55.00
81-0035RK-03	Cylinder, IPA 1000 ppm in air, 103L	150.00
81-0035RK-05	Cylinder, IPA 1000 ppm in air, 58L	150.00
81-0038RK-01	Cylinder, isoButane 1800 ppm in air, 34L steel	55.00
81-0038RK-03	Cylinder, isoButane 1800 ppm in air, 103L	150.00
81-0038RK-05	Cylinder, isoButane 1800 ppm in air, 58L	150.00
81-0039RK-03	Cylinder, isobutane 25% LEL in air, 103L	150.00
81-0050RK-03	Cylinder, O2 10 ppm in N2, 103L	150.00
81-0060RK-01	Cylinder, CO 40 ppm in air, 34L steel	55.00
81-0061RK-01	Cylinder, CO 5% volume in N2, 34L steel	55.00
81-0062RK-01	Cylinder, CO 50 ppm in N2, 34L steel	55.00
81-0062RK-03	Cylinder, CO 50 ppm in N2, 103L steel	150.00
81-0063RK-01	Cylinder, CO 20 ppm in air, 34L steel	55.00
81-0063RK-03	Cylinder, CO 20 ppm in air, 103L	150.00
81-0064RK-01	Cylinder, CO 50 ppm in air, 34L steel	55.00
81-0064RK-02	Cylinder, CO 50ppm in air, 58AL	150.00
81-0064RK-03	Cylinder, CO 50 ppm in air, 103L steel	150.00
81-0065RK-01	Cylinder, CO 100 ppm in air, 34 liter	55.00
81-0065RK-03	Cylinder, CO 100 ppm in air, 103L steel	150.00
81-0066RK-01	Cylinder, CO 200 ppm in air, 34L steel	55.00
81-0066RK-03	Cylinder, CO 200 ppm in air, 103L steel	150.00
81-0068RK-01	Cylinder, CO 100 ppm in N2, 34L steel	55.00
81-0068RK-03	Cylinder, CO 100 ppm in N2, 103L steel	150.00
81-0069RK	Cylinder, CO 200 ppm in N2, 17L steel	45.00
81-0069RK-01	Cylinder, CO 200 ppm in N2, 34L steel	55.00
81-0069RK-03	Cylinder, CO 200 ppm in N2, 103L steel	150.00
81-0070RK-01	Cylinder, CO2 2000 ppm in N2, 34L steel	55.00
81-0070RK-03	Cylinder, CO2 2000 ppm in N2, 103L steel	150.00
81-0071RK-01	Cylinder, CO2 5000 ppm in N2, 34L steel	55.00

# Numerical Index

Part#	Description	Suggested Retail
81-0071RK-03	Cylinder, CO2 5000 ppm in N2, 103L steel.....	150.00
81-0072RK-01	Cylinder, CO2 2.5% in N2, 34L steel .....	55.00
81-0072RK-03	Cylinder, CO2 2.5% in N2, 103L steel .....	150.00
81-0073RK	Cylinder, CO2 15% in N2, 17L steel .....	45.00
81-0073RK-01	Cylinder, CO2 15% in N2, 34L steel .....	55.00
81-0073RK-03	Cylinder, CO2 15% in N2, 103L steel .....	150.00
81-0073RK-04	Cylinder, CO2 15% in N2, 34AL .....	150.00
81-0074RK	Cylinder, O2 2% in N2, 17L steel.....	45.00
81-0074RK-03	Cylinder, O2 2% in N2, 103L steel .....	150.00
81-0075RK-01	Cylinder, O2, 10% in N2, 34L steel .....	55.00
81-0075RK-03	Cylinder, O2 10% in N2, 103L steel .....	150.00
81-0076RK-01	Cylinder, Zero air, 34L steel .....	55.00
81-0076RK-03	Cylinder, Zero air, 103L steel .....	150.00
81-0078RK-01	Cylinder, N2 100%, 34L steel .....	55.00
81-0078RK-03	Cylinder, N2 100%, 103L steel .....	150.00
81-0079RK-01	Cylinder, CH4 500 ppm in air, 34L steel .....	55.00
81-0079RK-03	Cylinder, CH4 500 ppm in air, 103L steel .....	150.00
81-0080RK-03	Cylinder, CH4 50 ppm in air, 103L steel .....	150.00
81-0081RK	Cylinder, R-22 (Freon 22), 2000 ppm in air, 17L steel .....	60.00
81-0081RK-01	Cylinder, R-22 (Freon 22), 2000 ppm in air, 34L steel .....	150.00
81-0082RK	Cylinder, R-12 (Freon-12), 2000 ppm in air, 17L steel .....	100.00
81-0082RK-01	Cylinder, R-12 (Freon-12), 2000 ppm in air, 34L steel .....	150.00
81-0082RK-03	Cylinder, R-12 (Freon-12), 2000 ppm in air, 103L steel .....	150.00
81-0083RK-03	Cylinder, Hexane 400 ppm in air, 103L steel .....	150.00
81-0083RK-04	Cylinder, Hexane 400 ppm in air, 34AL .....	150.00
81-0083RK-21	Cylinder, Hexane 500 ppm in air, 34AL .....	55.00
81-0083RK-23	Cylinder, Hexane 500 ppm in air, 103L steel .....	150.00
81-0084RK-01	Cylinder, R-134A (Freon 134A), 2, 000 ppm in air, 34L steel .....	150.00
81-0084RK-03	Cylinder, R-134A 2000 ppm in air, 103L.....	150.00
81-0085RK-01	Cylinder, CH4 1,000 ppm in air, 34L steel .....	55.00
81-0085RK-03	Cylinder, CH4 1,000 ppm air, 103L steel .....	150.00
81-0086RK-01	Cylinder, CH4 5000 ppm in air, 34L steel .....	55.00
81-0086RK-03	Cylinder, CH4 5000 ppm air, 103L steel .....	150.00
81-0088RK-03	Cylinder, Pentane 1000 ppm in air, 103L steel .....	150.00
81-0089RK-01	Cylinder, CO 50 ppm / Hexane 15% LEL / O2 12 % in N2, 34L steel .....	55.00
81-0089RK-03	Cylinder, CO 50 ppm / Hexane 15% LEL / O2 12 % in N2, 103L steel .....	150.00
81-0090RK-01	Cylinder, CO 50 ppm / CH4 50% LEL / O2 12 % in N2, 34L steel .....	55.00
81-0090RK-03	Cylinder, CO 50 ppm / CH4 50% LEL / O2 12 % in N2, 103L steel .....	150.00
81-0092RK-03	Cylinder, Propane 50 % LEL / CO 50 ppm / O2 12% in N2, 103L steel .....	150.00
81-0093RK-03	Cylinder, Pentane 25% LEL / CO 50 ppm / O2 12% in N2, 103L steel .....	150.00
81-0095RK-02	Cylinder, O2 25% Vol in N2, 58AL .....	160.00
81-0096RK-01	Cylinder, CO2 13.8% vol / Butane 8% vol in N2, 34L steel.....	55.00
81-0096RK-03	Cylinder, Pentane 50% LEL in air, 103L .....	150.00
81-0096RK-04	Cylinder,CO2 13.8% vol/Butane 8% vol in N2,34AL .....	150.00
81-0097RK-01	Cylinder, CO2 50% in N2, 34L steel .....	55.00
81-0098RK-03	Cylinder, CO2 4% in N2 103L .....	160.00
81-0099RK-01	Cylinder, CO2 20% in N2, 34L steel .....	55.00
81-0100RK-02	Cylinder, Benzene 5 ppm in air, 58AL .....	150.00
81-0100RK-04	Cylinder, Benzene 5 ppm in air, 34AL .....	130.00
81-0101RK-03	Cylinder, CH4 50% LEL/17% O2 in N2, 103L steel .....	150.00
81-0102RK-04	Cylinder, Toluene 400 ppm in air, 34AL .....	150.00
81-0103RK-01	Cylinder, isobutylene 100 ppm in air, 34L steel (steel cylinder) .....	55.00
81-0103RK-03	Cylinder, isobutylene 100 ppm in air, 103L steel .....	150.00
81-0103RK-04	Cylinder, isobutylene 100 ppm in air, 34AL (aluminum cylinder).....	150.00
81-0104RK-01	Cylinder, isobutylene 10 ppm in air, 34L steel .....	55.00
81-0104RK-03	Cylinder, isobutylene 10 ppm in air, 103L steel.....	150.00
81-0104RK-04	Cylinder, isobutylene 10 ppm in air, 34AL (aluminum cylinder) .....	150.00
81-0105RK-01	Cylinder, isobutane 50 ppm in air, 103L steel .....	55.00
81-0105RK-03	Cylinder, isobutane 50 ppm in air, 103L steel .....	150.00
81-0133RK-02	Cylinder,H2S 50 ppm/CO 500 ppm/CH4 50% LEL/O2 18%,58AL .....	200.00
81-0133RK-04	Cylinder,H2S 50 ppm/CO 500 ppm/CH4 50% LEL/O2 18% in N2,34AL .....	150.00

# Numerical Index

Part#	Description	Suggested Retail
81-0135RK-02	Cylinder, H2S 20 ppm / CO 60 ppm / Pentane 58% LEL / O2 15% in N2, 58AL	280.00
81-0136RK-02	Cylinder, H2S 20 ppm / CO 60 ppm / Pentane 58% LEL / CO2 2.5% / O2 15% in N2, 58AL	300.00
81-0138RK-04	Cylinder, H2S 10 ppm / CO 300 ppm / CH4 1.45 % vol / O2 15% vol in N2, 34AL	150.00
81-0139RK-04	Cylinder, H2S 20 ppm / CO 60 ppm / CH4 1.45% vol / O2 15% in N2, 34AL	150.00
81-0140RK-02	Cylinder, H2S 50 ppm/50% LEL isobutane in N2, 58AL	220.00
81-0140RK-04	Cylinder, H2S 50 ppm/50% LEL isobutane in N2, 34AL	150.00
81-0141RK-04	Cylinder, H2S 20 ppm / CO 60 ppm / CH4 29% LEL / O2 15% in N2, 34AL	150.00
81-0142RK-02	Cylinder, SO2 5 ppm / H2S 25 ppm / CO 50 ppm / CH4 50% LEL / O2 12% in N2, 58AL	280.00
81-0142RK-04	Cylinder, SO2 5 ppm / H2S 25 ppm / CO 50 ppm / CH4 50% LEL / O2 12% in N2, 34AL	200.00
81-0142RK-116	Cylinder,SO2 5 ppm/H2S 25 ppm/CO 50 ppm/CH4 50% LEL/O2 12% in N2,116AL	580.00
81-0143RK-02	Cylinder, isobutylene 100 ppm / H2S 25 ppm / CO 50 ppm / CH4 50% LEL / O2 12% in N2, 58AL	340.00
81-0143RK-04	Cylinder, isobutylene 100 ppm / H2S 25 ppm / CO 50 ppm / CH4 50% LEL / O2 12% in N2, 34AL	230.00
81-0144RK-02	Cylinder, isoButylene 100 ppm / CO 50 ppm / CH4 50% LEL / O2 12% in N2, 58AL	220.00
81-0144RK-03	Cylinder, isoButylene 100 ppm / CO 50 ppm / CH4 50% LEL / O2 12% in N2, 103L	180.00
81-0144RK-04	Cylinder, isoButylene 100 ppm / CO 50 ppm / CH4 50% LEL / O2 12% in N2, 34AL	160.00
81-0145RK-02	Cylinder, H2S 500 ppm in N2, 58AL	150.00
81-0145RK-16	Cylinder, H2S 500 ppm in N2, 116AL	300.00
81-0146RK-02	Cylinder, H2S 200 ppm in N2, 58AL	150.00
81-0147RK-02	Cylinder, H2S 1 ppm in N2, 58AL	190.00
81-0148RK-02	Cylinder, H2S 15 ppm in N2, 58AL	180.00
81-0149RK-02	Cylinder, H2S 5 ppm in N2, 58AL	150.00
81-0149RK-04	Cylinder, H2S 5 ppm in N2, 34AL	130.00
81-0150RK-02	Cylinder, H2S 10 ppm in N2, 58AL	150.00
81-0150RK-04	Cylinder, H2S 10 ppm in N2, 34AL	130.00
81-0151RK-02	Cylinder, H2S 25 ppm in N2, 58AL	150.00
81-0151RK-04	Cylinder, H2S 25 ppm in N2, 34AL	130.00
81-0152RK-02	Cylinder, H2S 50 ppm in N2, 58AL	150.00
81-0152RK-04	Cylinder,H2S 50 ppm in N2,34AL	130.00
81-0153RK-02	Cylinder, H2S 50 ppm in AIR, 58AL	150.00
81-0154-06-12	Quick Check kit,4 gas cylinder w/red plastic straw,11L,w/03 Series test cup,for HS-03	85.00
81-0154RK-02	Cylinder, H2S 25 ppm / CO 50 ppm / CH4 50% LEL / O2 12% in N2, 58AL	190.00
81-0154RK-04	Cylinder, H2S 25 ppm / CO 50 ppm / CH4 50% LEL / O2 12% in N2, 34AL	160.00
81-0154RK-06	Bump test cylinder, H2S 40 ppm / CO 100 ppm / Methane 50% LEL / O2 12% in N2, 11AL aerosol	55.00
81-0154RK-06-10	Bump test cylinder, H2S 40 ppm / CO 100 ppm / Methane 50% LEL / O2 12% in N2, 11AL aerosol, with balloon and cal cup for GX-2009	75.00
81-0154RK-06-11	Bump test cylinder, H2S 40 ppm / CO 100 ppm / Methane 50% LEL / O2 12% in N2, 11AL aerosol, with red plastic straw and gas bag for GX-2012	75.00
81-0154RK-07	Cylinder, H2S 25 ppm / CO 50 ppm / CH4 50% LEL / O2 12% in N2, 11AL, non-hazmat bump	95.00
81-0154RK-116	Cylinder, H2S 25 ppm / CO 50 ppm / CH4 50% LEL / O2 12% in N2, 116AL	320.00
81-0154RK-H04	Cylinder,H2S 25 ppm/CO 50 ppm/CH4 50% LEL/O2 12% in N2,44ES high pressure AL (825 psi)	165.00
81-0155RK-02	Cylinder, H2S 25 ppm / CO 50 ppm / HEX 15% LEL / O2 12% in N2, 58AL	220.00
81-0155RK-04	Cylinder, H2S 25 ppm / CO 50 ppm / HEX 15% LEL / O2 12% in N2, 34AL	160.00
81-0156RK-02	Cylinder, H2S 25 ppm / CO 50 ppm / Pentane 32% LEL / O2 14% in N2, 58AL	220.00
81-0156RK-04	Cylinder, H2S 25 ppm / CO 50 ppm / Pentane 32% LEL / O2 14% in N2, 34AL	180.00
81-0156RK-52	Cylinder, H2S 25 ppm / CO 50 ppm / Pentane 50% LEL / O2 12% in N2, 58AL	220.00
81-0156RK-54	Cylinder, H2S 25 ppm / CO 50 ppm / Pentane 50% LEL / O2 12% bal N2, 34AL	160.00
81-0158RK-02	Cylinder, H2S 25 ppm / CO 50 ppm / isobutane 50% LEL / O2 12% in N2, 58AL	250.00
81-0158RK-04	Cylinder, H2S 25 ppm / CO 50 ppm / isobutane 50% LEL / O2 12% in N2, 34AL	160.00
81-0158RK-08	Cylinder, H2S 25 ppm / CO 50 ppm / isobutane 50% LEL / O2 12% in N2, 29AL	150.00
81-0159RK-02	Cylinder, SO2 5 ppm / CO 50 ppm / CH4 50% LEL / O2 12% in N2, 58AL	190.00
81-0161RK-02	Cylinder, H2S 25 ppm / CO 100 ppm / CH4 50% LEL (2.5% vol) / O2 18% in N2, 58AL	220.00
81-0161RK-04	Cylinder, H2S 25 ppm / CO 100 ppm / CH4 50% LEL (2.5% vol)/O2 18% in N2, 34AL	150.00
81-0162RK-02	Cylinder, H2S 25 ppm / CO 100 ppm / CH4 50% LEL (2.5% vol) / O2 19% in N2, 58AL	220.00
81-0162RK-04	Cylinder, H2S 25 ppm / CO 100 ppm / CH4 50% LEL(2.5% vol)/O2 19% in N2, 34AL	150.00
81-0163RK-04	Cylinder, H2S 25 ppm / CO 50 ppm / Propane 50% LEL (1.05% vol) / O2 18% in N2, 34AL	180.00
81-0164RK-02	Cylinder, H2S 25 ppm / CO 150 ppm / CH4 50% LEL (2.5% vol) / O2 15% in N2, 58AL	220.00
81-0165RK-02	Cylinder, SiH4 5 ppm in N2, 58AL	280.00
81-0166RK-04	Cylinder, SiH4 30 ppm in N2, 34AL	340.00
81-0167RK-02	Cylinder, H2S 25 ppm / CO 50 ppm / Propane 50% LEL/O2 12% in N2, 58AL	180.00
81-0167RK-04	Cylinder, H2S 25 ppm / CO 50 ppm / Propane 50% LEL / O2 12% in N2, 34AL	180.00
81-0168RK-02	Cylinder, NO2 10 ppm / CO 50 ppm / O2 12% / CH4 2.5% in N2, 58AL (7 month shelf life)	360.00

# Numerical Index

Part#	Description	Suggested Retail
81-0168RK-04	Cylinder, NO2 10 ppm / CO 50 ppm / O2 12% / CH4 2.5% in N2, 34AL (7 month shelf life)	220.00
81-0170RK-02	Cylinder, SO2 5 ppm in N2, 58AL	160.00
81-0170RK-04	Cylinder, SO2 5 ppm in N2, 34AL	140.00
81-0173RK-02	Cylinder, NH3 5 ppm in N2, 58AL	300.00
81-0174RK-02	Cylinder, NH3 50 ppm in N2, 58AL	300.00
81-0175RK-02	Cylinder, NH3 10 ppm in N2, 58AL	300.00
81-0175RK-04	Cylinder, NH3 10 ppm in N2, 34AL	280.00
81-0176RK-02	Cylinder, NH3 25 ppm in N2, 58AL	300.00
81-0176RK-04	Cylinder, NH3 25 ppm in N2, 34AL	280.00
81-0177RK-116	Cylinder, NF3 25 ppm in N2, 116AL	675.00
81-0179RK-02	Cylinder, NO2 200 ppm in N2 58L	350.00
81-0180RK-02	Cylinder, NO2 10 ppm in air, 58AL	300.00
81-0180RK-04	Cylinder, NO2 10 ppm in air, 34AL	260.00
81-0180RK-116	Cylinder, NO2 10ppm in Air, 116AL	350.00
81-0181RK-02	Cylinder, NO 25 ppm in N2, 58AL	300.00
81-0181RK-04	Cylinder, NO 25 ppm in N2, 34AL	260.00
81-0182RK-02	Cylinder, NO2 5 ppm in air, 58AL	300.00
81-0182RK-04	Cylinder, NO2 5 ppm in air, 34AL	260.00
81-0183RK-01	Cylinder, N2O 250 ppm in air, 34L steel	55.00
81-0183RK-03	Cylinder, N2O 250 ppm in air, 103L steel	150.00
81-0185RK-02	Cylinder, PH3 0.5 ppm in N2, 58AL	300.00
81-0185RK-04	Cylinder, PH3 0.5 ppm in N2, 34AL	260.00
81-0186RK-02	Cylinder, PH3 5 ppm in N2, 58AL	280.00
81-0187RK-02	Cylinder, PH3 0.1 ppm in N2, 58AL	350.00
81-0188RK-02	Cylinder, Carbonyl Sulfide (COS) 40 ppm in air, 58AL	220.00
81-0189RK-02	Cylinder, Carbonyl Sulfide (COS) 10 ppm in air, 58AL	160.00
81-0190RK-02	Cylinder, Cl2 5 ppm in N2, 58AL	340.00
81-0190RK-04	Cylinder, Cl2 5 ppm in N2, 34AL	220.00
81-0191RK-02	Cylinder, Cl2 10 ppm in N2, 58AL	340.00
81-0191RK-04	Cylinder, Cl2 10 ppm in N2, 34AL	220.00
81-0192RK-02	Cylinder, Cl2 2 ppm in N2, 58AL	340.00
81-0192RK-04	Cylinder, Cl2 2 ppm in N2, 34AL	220.00
81-0194RK-02	Cylinder, HCl 10 ppm in N2, 58AL	370.00
81-0195RK-02	Cylinder, HCl 5 ppm in N2, 58AL	340.00
81-0195RK-04	Cylinder, HCl 5 ppm in N2, 34AL	300.00
81-0196RK-02	Cylinder, HCN 10 ppm in N2, 58AL	260.00
81-0196RK-04	Cylinder, HCN 10 ppm in N2, 34AL	220.00
81-1001RK	Dispensing valve, 17/34L, CGA 600 fitting	28.00
81-1004RK	Regulator, econo, with gauge, no knob, 34AL/58/103L, 0.5 LPM	100.00
81-1050RK	Regulator, with gauge & knob, 17/34L, 0.5 LPM, CGA 600 fitting	125.00
81-1050RK-15	Regulator, with gauge & knob, 17/34L, 1.5 LPM	125.00
81-1050RK-20	Regulator, with gauge & knob, 17/34L, 2.0 LPM	125.00
81-1050RK-25	Regulator, with gauge & knob, 17/34L, 0.25 LPM	125.00
81-1051RK	Regulator, with gauge & knob, 34AL/58AL/103L steel, 0.5 LPM, C-10 fitting	125.00
81-1051RK-10	Regulator, with gauge & knob, 34AL/58AL/103L/116L steel, 1.0 LPM, C-10 fitting	125.00
81-1051RK-15	Regulator, with gauge & knob, 34AL/58AL/103L/116L steel, 1.5 LPM, C-10 fitting	125.00
81-1051RK-20	Regulator, with gauge & knob, 34AL/58/103L, 2.0LPM	125.00
81-1051RK-25	Regulator, with gauge and knob, 34AL/58AL/103L steel, 0.25 LPM, C-10 fitting	125.00
81-1051RK-30	Regulator, with gauge and knob, 34AL/58AL/103L/116L steel, 3.0 LPM, C-10 fitting	125.00
81-1051RK-60	Regulator, with gauge & knob, 34AL/58AL/103L/116L steel, 6.0 LPM, C-10 fitting	125.00
81-1054RK	Regulator, demand flow for 34AL/58AL/103L/116L cylinders	280.00
81-1054RK-CGA33	Regulator, demand flow, with CGA330	400.00
81-1054RK-CGA35	Regulator, demand flow, with CGA350	400.00
81-1054RK-CGA59	Regulator, demand flow, with CGA590	400.00
81-1054RK-H2S	Regulator, demand flow for standard 4-gas in 34AL/58AL/103L/116L cylinders	240.00
81-1055RK	Regulator, demand flow for 17L/34L steel steel cylinders	280.00
81-1057RK-180	Regulator, with gauge & knob, CGA 180, for 552L 5E cyl, 0.5LPM	180.00
81-1057RK-580	Regulator, with gauge & knob, CGA 580, for 552L 5E cyl, 0.5LPM	180.00
81-1057RK-590	Regulator, with gauge & knob, CGA 590, for 552L 5E cyl, 0.5LPM	180.00
81-1059RK-20	Regulator, with gauge & knob, 17/34L, 2.0 LPM	125.00
81-1061RK	Regulator, with gauge & trigger, 34AL/58/103L, 0.5LPM (model 4210)	225.00

# Numerical Index

<b>Part#</b>	<b>Description</b>	<b>Suggested Retail</b>
81-1070RK	Recycling tool, releases all pressure from 34AL/58AL/103L steel cylinders.....	125.00
81-1071RK	Recycling tool, releases all pressure from 17L/34L steel cylinders .....	125.00
81-1101RK	Calibration adaptor for SD-703RI .....	155.00
81-1102RK	Calibration cup, for GD-F44 .....	125.00
81-1103RK	Cal cup for IR 3/4" NPT sensor .....	15.00
81-1103RK-01	Calibration cup / splash guard, for IR 3/4" NPT sensor, with diffuser holes .....	40.00
81-1104RK	Calibration adapter for -01 series & GasWatch 2 .....	22.00
81-1106RK	Sample adaptor for GX-2001 or GX-2009, rigid plastic, used with RP-6 .....	26.00
81-1107RK	Cal cap for GX-2001 and GX-2009 .....	17.00
81-1109RK	Cal cup for 82 single gas series, GX-82/86/91B (Not for GX-82A or GX-86A) .....	50.00
81-1112RK	Cal cup, LEL, Screw on,w/fitings, for 1/2 NPT sensor .....	70.00
81-1113RK	Cal cup, PS-2, with Screws .....	5.00
81-1114RK	Cal cup, diffusion, super toxic, GD-K8A, (rim feed) .....	26.00
81-1116RK	Cal cup/splash guard assembly, for CT7 sensor housing .....	60.00
81-1117RK	Cal cup, standard, fixed systems, for conduit mounting, LEL/O2/H2S/CO, (NPT type) .....	44.00
81-1117RK-05	Cal cup, standard, fixed systems, for conduit mounting, LEL/O2/H2S/CO, (NPT type), with CSA .....	55.00
81-1120RK	Cal cup for GD-A8 and GD-A8V,w/fitting .....	110.00
81-1122RK	Cal cup for RKI potted 1/2 NPT sensor .....	20.00
81-1122RK-01	Cal cup w/diffuser holes, for RKI potted 1/2 NPT .....	45.00
81-1126RK	Gas bag with fitting & hose barb, 9" x 12" tedlar, 3 liters .....	27.00
81-1127RK	Gas bag with fitting & hose barb, 12x12, tedlar, 5 liters .....	29.00
81-1128RK	Gas bag with fitting & hose barb, 15 x 15, tedlar, 10 liters .....	44.00
81-1131RK	Gas bag, Green, LEL range, for RI/RX-415 .....	45.00
81-1132RK	Gas bag, Orange, Volume range, for RI/RX-415 .....	45.00
81-1133RK	Sample adapter,screw-on,CT-7 type fixed sensor,flow through .....	45.00
81-1138RK	Cal cup for ESM-01 diffusion sensors, fixed systems (not for Cl2 or NH3) .....	74.00
81-1138RK-CL2	Cal cup for ESM-01 diffusion chlorine sensors, fixed systems .....	74.00
81-1138RK-NH3	Cal cup for ESM-01 diffusion ammonia sensors, fixed systems .....	74.00
81-1139RK	Cal cup for general SC-01 use, (NOT for CL2 or NH3) .....	100.00
81-1139RK-CL2	Cal cup for chlorine (Cl2) SC-01 .....	100.00
81-1139RK-NH3	Cal cup for ammonia (NH3) SC-01 .....	100.00
81-1144RK	Calibration cup for GD-A2400 and SD-2500 .....	140.00
81-1145RK	Gas bag,PVC,10.1 x 8.1 inches,2 liter,w/2.5 inch tube .....	18.00
81-1146	Calibration adapter for 03 and 04 series .....	30.00
81-1146-01	Calibration adapter for 03 Series with velcro strap and 1 ft tube on inlet .....	40.00
81-1148	Calibration cup for SD-1GP/SD-1GH (except SD-1GH for NH3) .....	120.00
81-1148-NH3	Calibration cup for SD-1GP (NH3) / SD-1RI .....	120.00
81-1148-OX	Calibration cup for SD-1 with O2, CO, or H2S .....	380.00
81-1148-RIGH	Calibration cup for SD-1GH (NH3)/SD-1RI.....	120.00
81-1149	Calibration cup for GD-A88 .....	70.00
81-1153	Cal cup for OX-600 / EC-600 .....	45.00
81-1160RK	Hand aspirated sampler, with 10' hose and probe, GX-2001 or GX-2009 .....	95.00
81-1160RK-15	Hand aspirated sampler, with 15' hose and probe, GX-2001 or GX-2009 .....	97.00
81-1160RK-20	Hand aspirated sampler, with 20' hose and probe, GX-2001 or GX-2009 .....	99.00
81-1160RK-30	Hand aspirated sampler, with 30' hose and probe, GX-2001 or GX-2009 .....	105.00
81-1160RK-40	Hand aspirated sample adapter,GX-2009 and GX-2001,w/40'hose .....	110.00
81-1160RK-45	Hand aspirated sample adapter,GX-2009 and GX-2001,w/45'hose .....	112.00
81-1160RK-NH	Hand aspirated sample adapter,GX-2009 and GX-2001,no hose and probe .....	49.00
81-1161	Hand aspirated sample adapter for GX-3R with 10' hose .....	95.00
81-1161-15	Hand aspirated sample adapter,GX-3R,w/15 foot hose .....	92.00
81-1161-20	Hand aspirated sample adapter,GX-3R,w/20 foot hose .....	96.00
81-1161-30	Hand aspirated sample adapter,GX-3R,w/30 foot hose .....	104.00
81-1161-40	Hand aspirated sample adapter,GX-3R,w/40 foot hose .....	112.00
81-1161-45	Hand aspirated sample adapter,GX-3R,w/45 foot hose .....	116.00
81-1162	Hand aspirated sample adapter for GX-3R Pro with 10' hose .....	85.00
81-1162-15	Hand aspirated sample adapter,GX-3R Pro,w/15 foot hose .....	92.00
81-1162-20	Hand aspirated sample adapter,GX-3R Pro,w/20 foot hose .....	96.00
81-1162-30	Hand aspirated sample adapter,GX-3R Pro,w/30 foot hose .....	104.00
81-1162-40	Hand aspirated sample adapter,GX-3R Pro,w/40 foot hose .....	112.00
81-1162-45	Hand aspirated sample adapter,GX-3R Pro,w/45 foot hose .....	116.00
81-1162-NH	Hand aspirated sample adapter,GX-3R Pro,no hose and probe .....	25.00

# Numerical Index

Part#	Description	Suggested Retail
81-1176RK	RP-2009 pump with 4" rubber nipple for GX-2009 or GX-2001 .....	360.00
81-1177RK	RP-2009 pump with 4" rubber nipple, 10' hose and probe for GX-2009 or GX-2001 .....	420.00
81-1177RK-20	RP-2009 pump with 4" rubber nipple, 20' hose and probe for GX-2009 or GX-2001 .....	425.00
81-1177RK-30	RP-2009 pump,w/30 ft hose/10 inch probe/4 inch nipple .....	430.00
81-1183	Cal cup with 3 ft 1/8" ID x 1/4" OD teflon tubing for T2A/T3A/VOC Pro/AirLink 6900 type detectors .....	160.00
81-1184	Rain guard for T2A/T3A/VOC Pro type explosion proof detector.....	20.00
81-1185	Cal cup with 3 ft 1/8" ID x 1/4" OD teflon tubing, for non explosion proof Air Alert and AirLink Alert type detectors .....	40.00
81-1186	Cal cup for Freon sensor with 3 ft tubing, non explosion proof Air Alert and AirLink Alert type detectors .....	170.00
81-1190RK	Splash guard for ESM-01 detectors .....	15.00
81-1192	Calibration adapter for GX-3R .....	10.00
81-1193	Calibration adapter for GX-3R Pro .....	10.00
81-1194	Calibration adapter for GasWatch 3 .....	24.00
81-1197	RP-3R pump with tapered red nozzle for GX-3R .....	360.00
81-1198	RP-3R pump with 10 ft hose, 10 inch probe, and tapered red nozzle for GX-3R .....	420.00
81-1198-20	RP-3R pump with 20 ft hose/10 inch probe/tapered red nozzle .....	425.00
81-1198-30	RP-3R pump with 30ft hose, 10 inch probe, and tapered red nozzle for GX-3R .....	430.00
81-1199	RP-3R Pro pump with tapered red nozzle for GX-3R Pro .....	360.00
81-1200	RP-3R Pro pump with 10 ft hose, 10 inch probe, and tapered red nozzle for GX-3R Pro.....	420.00
81-1200-20	RP-3R Pro pump with 20 ft hose, 10 inch probe, and tapered red nozzle for GX-3R Pro.....	425.00
81-1200-30	RP-3R Pro pump with 30 ft hose/10 inch probe/tapered red nozzle .....	430.00
81-1500RK	Cylinder holder for 58 liter aluminum cylinders .....	18.00
81-1501RK	Cylinder holder for 103 liter steel cylinders and 116 liter aluminum cylinders .....	18.00
81-1502RK	Cylinder holder for 17/34 liter steel cylinders, and for 34 liter aluminum cylinders .....	18.00
81-2113RK	CSK,GX-2012,w 34 liter 4-gas cylinder demand flow regulator cal kit,w/out instrument .....	520.00
81-2120-103-1K	Cal kit, Digester 101, 58AL cyl H2S 200 ppm in N2, demand flow regulator, case, and tubing .....	490.00
81-2120-401-1K	Cal kit, Digester 401, 58L steel cyl CO2 40% vol / CH4 60% vol in N2, 58AL cyl H2S 200 ppm in N2, demand flow regulator, case, and tubing .....	585.00
81-2120-401-5K	Cal kit, Digester 401, 58L steel cyl CO2 40% vol / CH4 60% vol in N2, 58AL cyl H2S 500 ppm in N2, demand flow regulator, case, and tubing .....	585.00
81-2120RKA	Confined space kit includes padded case, RP-2009 pump, 10' hose, and probe (instrument and charger sold separately) .....	540.00
81-2123RK	Confined space kit with hand aspirator assembly with 10' hose, probe, 34AL H2S (25 ppm)/CO/O2/CH4, regulator, padded case, calibration cap, and cal tubing (instrument and charger sold separately) .....	560.00
81-2124RKA	Confined space kit with RP-2009 pump, 10' hose, probe, calibration cap, 34AL H2S (25 ppm)/CO/O2/CH4, regulator, padded case, and cal tubing (instrument and charger sold separately).....	800.00
81-34SNG-DLV	Cal Kit with no gas,reg for 34L steel cyl .....	390.00
81-5101RK	Cal kit, EAGLE/EAGLE 2, 103L steel cyl 50% LEL Methane/Air, dem flow reg, case & tubing .....	495.00
81-5101RK-20	Cal kit, EAGLE/EAGLE 2, 103L steel cyl 20% LEL Methane/Air, dem flow reg, case & tubing .....	495.00
81-5101RK-DLV	Cal kit, EAGLE/EAGLE 2, 34L cyl 50% LEL Methane/Air, dem flow reg, case & tubing .....	435.00
81-5101RK-H2	Cal kit, EAGLE, 103L steel cyl 50% LEL Hydrogen/Air, dem flow reg, case & tubing .....	495.00
81-5101RK-H2B	Cal kit, EAGLE, 103L steel cyl 50% LEL Hydrogen/Air, reg, gas bag, case & tubing .....	365.00
81-5101RK-H2DLV	Cal kit, EAGLE, 34L cyl 50% LEL Hydrogen/Air, dem reg, case & tubing .....	435.00
81-5101RK-H2LV	Cal kit, EAGLE, 34L cyl 50% LEL Hydrogen/Air, disp valve, gas bag, case & tubing .....	210.00
81-5101RK-HDLV	Cal kit, EAGLE, 34L cyl 15% LEL Hexane/Air, dem reg, case & tubing .....	435.00
81-5101RK-HLV	Cal kit, EAGLE, 34L cyl 15% LEL Hexane/Air, disp valve, gas bag, case & tubing .....	210.00
81-5101RK-ISO	Cal kit, EAGLE, 103L steel cyl 50% LEL Isobutane/Air, dem flow reg, case & tubing .....	495.00
81-5101RK-LV	Cal kit, EAGLE, 34L cyl 50% LEL Methane/Air, disp valve, sample bag, case & tubing.....	210.00
81-5101RK25DLV	Cal Kit,EAG,25% LEL methane,demand reg,34L .....	435.00
81-5101RKH2LV10	Cal kit, EAGLE, 34L cyl 4000 ppm H2 in air, reg with gauge & knob, gas bag, screwdriver, case & tubing ...	210.00
81-5101RKI-DLV	Cal kit, EAGLE, 34L cyl 50% LEL Isobutane/Air, dem flow reg, case & tubing .....	410.00
81-5101RKIB-DLV	Cal kit, EAGLE, 34L steel isobutane 50% LEL in air, demand flow regulator, case & tubing .....	435.00
81-5101RKIPADLV	Cal Kit,EAG,10% LEL IPA,demand reg,17L .....	445.00
81-5101RKP	Cal kit, EAGLE, 103L steel cyl 50% LEL Propane/Air, dem flow reg, case & tubing .....	495.00
81-5101RKP25	Cal kit, EAGLE, 34L cyl 25% LEL Propane in air, demand flow regulator, case & tubing .....	495.00
81-5102RK-DLV	Cal kit, EAGLE/EAGLE 2, 34L cyl 100% Nitrogen, dem flow reg, case & tubing .....	435.00
81-5102RK-LV	Cal kit, EAGLE, 34L cyl 100% N2, disp valve, gas bag, case & tubing .....	210.00
81-5102RKNG-LV	Cal kit, EAGLE, with no gas, disp valve, gas bag, case & tubing .....	155.00
81-5103RK-DLV	Cal kit, EAGLE, 34AL cyl 25 ppm Hydrogen Sulfide/N2,dem flow reg, case & tubing .....	520.00
81-5103RK1000	Cal kit, EAGLE, 58AL cyl 50 ppm Hydrogen Sulfide/N2,reg, gas bag, case & tubing .....	365.00
81-5104RK-LV	Cal kit, EAGLE, 34L cyl 50 ppm Carbon Monoxide/Air, disp valve, gas bag, case & tubing .....	210.00

# Numerical Index

Part#	Description	Suggested Retail
81-5105RK-LV	Cal kit, EAGLE, 34AL cyl 5 ppm SO2/N2, reg, gas bag, screwdriver, case & tubing .....	400.00
81-5106RK	Cal kit, EAGLE, 58AL cyl 2 ppm Chlorine/N2, dem flow reg, screwdriver, case & tubing .....	705.00
81-5106RK-DLV	Cal kit, EAGLE, 34AL cyl 2 ppm Chlorine/N2, dem reg, screwdriver, case & tubing .....	620.00
81-5106RK-LV	Cal kit, EAGLE, 34AL cyl 2 ppm Chlorine/N2, reg, gas bag, screwdriver, case & tubing .....	495.00
81-5107RKS-LV	Cal kit, EAGLE, 34AL cyl PH3/N2, 34L cyl N2 100%, reg, gas bag, screwdriver, case & tubing .....	715.00
81-5108RK	Cal kit, EAGLE, 58AL cyl 0.5 ppm Phosphine/N2, dem flow reg, screwdriver, case & tubing .....	665.00
81-5108RK-DLV	Cal kit, EAGLE, 34AL cyl 0.5 ppm Phosphine/N2, dem reg, screwdriver, case & tubing .....	655.00
81-5110RK	Cal kit, EAGLE, 58AL cyl 5 ppm Hydrogen Chloride/N2, reg, gas bag, screwdriver, case & tubing .....	575.00
81-5110RK-LV	Cal kit, EAGLE, 34AL cyl 5 ppm Hydrogen Chloride in N2, reg, gas bag, screwdriver, case & tubing .....	575.00
81-5111RK	Cal kit, EAGLE, 58AL cyl 10 ppm Ammonia/N2, dem flow reg, screwdriver, case & tubing .....	665.00
81-5111RK-DLV	Cal kit, EAGLE, 34AL cyl 10 ppm Ammonia/N2, dem reg, screwdriver, case & tubing .....	680.00
81-5111RK01	Cal kit, EAGLE, 58AL cyl 10 ppm Ammonia/N2, dem flow reg, screwdriver, case & tubing .....	700.00
81-5111RK01-DLV	Cal kit, EAGLE, 34AL cyl 25 ppm Ammonia/N2, dem reg, screwdriver, case & tubing .....	680.00
81-5111RK01-LV	Cal kit, EAGLE, 34AL cyl 10 ppm Ammonia/N2, reg, gas bag, screwdriver, case & tubing .....	555.00
81-5112RK	Cal kit, EAGLE, 58AL cyl 2 ppm Chlorine/N2, dem flow reg, screwdriver, case & tubing .....	705.00
81-5112RK-LV	Cal Kit, EAGLE, 34AL cyl 2 ppm Chlorine/N2, reg with gauge & knob, gas bag, screwdriver, case & tubing .....	495.00
81-5113RK	Cal Kit, EAGLE, 58AL cyl 25 ppm Nitric Oxide/N2, dem flow reg, screwdriver, case & tubing .....	665.00
81-5114RK	Cal Kit, EAGLE, 58AL cyl 10 ppm Nitrogen Dioxide/Air, dem flow reg, screwdriver, case & tubing .....	665.00
81-5114RK-LV	Cal kit, EAGLE, 34AL cyl 10 ppm Nitrogen Dioxide/Air, reg with gauge & knob, screwdriver, case & tubing .....	535.00
81-5115RK02	Cal kit, EAGLE, 103L steel cyl 5,000 ppm CO2/N2, dem flow reg, screwdriver, case & tubing .....	495.00
81-5115RK03	Cal kit, EAGLE, 103L steel cyl 2.5% CO2/N2, dem flow reg, screwdriver, case & tubing .....	500.00
81-5115RK04DLV	Cal kit, EAGLE, 34L cyl 15% CO2 in N2, dem reg, case & tubing .....	445.00
81-5115RK05-LV	Cal kit, EAGLE, 34L cyl 15% CO2/N2, disp valve, gas bag, screwdriver, case & tubing .....	220.00
81-5120RK	Cal kit, EAGLE, 58L cyl 50% vol Methane/N2, dem flow reg, screwdriver, case & tubing .....	510.00
81-5120RK-LV	Cal kit, EAGLE, 34L 50% vol Methane/N2, disp valve, gas bag, screwdriver, case & tubing .....	220.00
81-5123RK-DLV	Cal kit, EAGLE, 34AL cyl 10 ppm Hydrogen Cyanide/N2, dem reg, screwdriver, case & tubing .....	620.00
81-5201RK	Cal kit, EAGLE, 103L steel cyl CH4/CO/O2, dem flow reg, case & tubing .....	495.00
81-5201RK-DLV	Cal kit, EAGLE, 34L cyl CH4/CO/O2, dem reg, screwdriver, case & tubing .....	435.00
81-5201RK-HLV	Cal kit, EAGLE, 34L cyl CO/Hex/O2, disp valve, gas bag, case & tubing .....	210.00
81-5201RK-LV	Cal kit, EAGLE, 34L cyl CH4/CO/O2, disp valve, gas bag, case & tubing .....	210.00
81-5201RKH	Cal kit, EAGLE, 103L steel cyl CO/Hex/O2, dem flow reg, case & tubing .....	495.00
81-5201RKH2-DLV	Cal Kit,EAG,LEL H2/O2,demand reg,34L .....	500.00
81-5201RKIB-DLV	Cal kit, EAGLE, 34L cyl isobutane/air, 34L 100% N2, dem reg, case & tubing .....	500.00
81-5201RKP	Cal kit, EAGLE, 103L steel cyl CO/Pentane/O2, dem flow reg, case & tubing .....	495.00
81-5201RKTR1	Cal kit, EAGLE, 103L steel cyl 50% LEL H2/Air, 103L steel cyl 100% N2, dem flow reg, case & tubing .....	645.00
81-5201RKTR1-LV	Cal kit, EAGLE, 34L cyl 50% LEL H2/Air, 34L cyl 100% N2, disp valve, gas bag, case & tubing .....	265.00
81-5202RK	Cal kit, EAGLE, 103 L cyl CH4/CO/O2, dem flow reg, case & tubing .....	495.00
81-5202RK-H	Cal kit, EAGLE, 103L steel cyl 15% LEL HEX/CO/O2, dem flow reg, case & tubing .....	495.00
81-5202RK-LV	Cal kit, EAGLE, 34L cyl CH4/CO/O2, disp valve, gas bag, case & tubing .....	210.00
81-5202RKPRODLV	Cal kit, EAGLE, 34L cyl LEL propane/air, 34L 100% nitrogen, dem flow reg, case & tubing .....	335.00
81-5203RK	Cal kit, EAGLE, 58AL cyl H2S (25 ppm)/CO/CH4/O2, dem flow reg, case & tubing .....	535.00
81-5203RK-LV	Cal kit, EAGLE, 34AL cyl H2S (25 ppm)/CO/CH4/O2, reg with gauge & knob, gas bag, case & tubing .....	415.00
81-5204RK-DLV	Cal kit, EAGLE, 34L cyl CH4/CO/O2, 34L 100% N2, dem reg, case & tubing .....	435.00
81-5211RK-DLV	Cal kit, EAGLE, 34AL cyl NH3 25 ppm in N2, 34AL cyl Cl2 2 ppm in N2, demand flow reg, case & tubing .....	1,180.00
81-5212RK-LV	Cal kit, EAGLE, 34AL cyl NH3/N2, 58AL cyl SiH4/N2, reg with gauge & knob, gas bag, screwdriver, case & tubing .....	785.00
81-5213RK-LV	Cal kit, EAGLE, 34AL cyl Cl2/N2, 58AL cyl SiH4/N2, reg with gauge & knob, gas bag, screwdriver, case & tubing .....	725.00
81-5220RK	Cal kit, EAGLE, 58AL cyl Cl2 2 ppm in N2, dem flow reg, case & tubing .....	705.00
81-5220RK-LV	Cal kit, EAGLE, 34AL cyl Cl2 in N2, demand flow reg, screwdriver, case & tubing .....	495.00
81-5221RK	Cal kit, EAGLE, 58AL cyl SO2/ N2, 58AL cyl HCl/N2, dem flow reg, screwdriver, case & tubing .....	865.00
81-5222RK02	Cal kit, EAGLE, 103L steel cyl 5,000 ppm CO2/N2, dem flow reg, screwdriver, case & tubing .....	495.00
81-5222RK02-LV	Cal kit, EAGLE, 34L cyl 5,000 ppm CO2/N2, disp valve, gas bag, screwdriver, case & tubing .....	210.00
81-5222RK03	Cal kit, EAGLE, 103L steel cyl 2.5% CO2/N2, dem flow reg, screwdriver, case & tubing .....	500.00
81-5222RK05	Cal kit, EAGLE, 103L steel cyl 15% CO2/N2, dem flow reg, screwdriver, case & tubing .....	500.00
81-5223RK02	Cal kit, EAGLE, 103L steel cyl 5,000 ppm CO2/N2, 58AL cyl NH3/N2, dem flow reg, screwdriver, case & tubing .....	800.00
81-5223RK03	Cal kit, EAGLE, 103L steel cyl 2.5% CO2/N2, 58AL cyl NH3/N2, dem flow reg, screwdriver, case & tubing...	815.00
81-5234RK-DLV	Cal kit, EAGLE, 34AL cyl 25 ppm NH3/N2, 103L steel cyl 50 ppm CO/air, dem flow reg, screwdriver, case & tubing .....	780.00

# Numerical Index

Part#	Description	Suggested Retail
81-5238RK	Cal kit, EAGLE, 103L steel cyl 50% LEL CH4/Air, 58L steel cyl 50% vol CH4/N2, dem flow reg, screwdriver, case & tubing .....	660.00
81-5243RK02	Cal kit, EAGLE, 103L steel cyl 50% LEL Methane/Air, 103L steel cyl 5,000 ppm CO2/N2, dem flow reg, screwdriver, case & tubing .....	650.00
81-5243RK3H2DLV	Cal Kit,EAG,50% LEL H2/2.5% CO2,dem reg,34L .....	500.00
81-5244RK-DLV	Cal kit, EAGLE, 34AL 5 ppm SO2 in n2, 34AL cyl 10 ppm NO2 in n2, dem reg, case & tubing .....	800.00
81-5256RK-LV	Cal kit, EAGLE, 34AL cyl Cl2/N2, 34AL cyl NH3/N2, reg with gauge & knob, gas bag, screwdriver, case & tubing .....	1,075.00
81-5259RK-LV	Cal kit, EAGLE, 34AL cyl NH3/N2, reg with gauge & knob, gas bag, screwdriver, case & tubing .....	555.00
81-5262RK-LV	Cal kit, EAGLE, 34L cyl 50% LEL H2/Air, 34AL cyl PH3/N2, disp valve, reg with gauge & knob, gas bag, screwdriver, case & tubing .....	615.00
81-5265RK02-DLV	Cal kit, EAGLE, 34AL 25 ppm H2S in N2, 103L steel cyl 5000 ppm CO2 in N2, dem reg, case & tubing .....	630.00
81-5265RK03-DLV	Cal kit, EAGLE, 34AL 25 ppm H2S in N2, 103L steel cyl 2.5% CO2 in N2, dem reg, case & tubing .....	630.00
81-5265RK04-DLV	Cal kit, EAGLE, 34AL 25 ppm H2S in N2, 103L steel cyl 15% CO2 in N2, dem reg, case & tubing .....	630.00
81-5265RK04KLV	Cal Kit,EAG,50 ppm H2S/N2,58AL,15% CO2,103L, reg, gas bag .....	525.00
81-5266RK-LV	Cal kit, EAGLE, 34AL cyl Cl2/N2, 34AL cyl HCl/N2, reg with gauge & knob, gas bag, screwdriver, case & tubing .....	795.00
81-5272RK-LV	Cal kit, EAGLE, 34AL cyl SO2/N2, 34AL cyl NH3/N2, reg with gauge & knob, gas bag, screwdriver, case & tubing .....	695.00
81-5276RK-DLV	Cal kit, EAGLE, 34AL cyl PH3 0.5 ppm in N2, 34AL cyl Cl2 2 ppm in N2, demand flow regulator, case & tubing .....	875.00
81-5278RKH2-DLV	Cal kit, EAGLE, 34L cyl 50% LEL Hydrogen/Air, 34L cyl 50 ppm CO/Air, dem flow reg, screwdriver, case & tubing .....	490.00
81-5286RK	Cal kit, EAGLE, 103L steel cyl 50% LEL CH4/Air, 103L steel cyl 10 ppm NO2/N2, dem flow reg, screwdriver, case & tubing .....	795.00
81-5296RK	Cal kit, EAGLE, 103L steel cyl 50% LEL CH4/Air, 58AL cyl 2 ppm Cl2/N2, dem flow reg, screwdriver, case & tubing .....	735.00
81-5300-09-LV	Cal kit, EAGLE/EAGLE 2, 103L steel cyl 20% LEL Methane/Air, dem flow reg, case & tubing .....	775.00
81-5301RK	Cal kit, EAGLE, 58AL cyl H2S/CO/CH4/O2, dem flow reg, case & tubing .....	535.00
81-5301RK-H	Cal kit, EAGLE, 58AL cyl H2S/CO/Hex/O2, dem flow reg, case & tubing .....	565.00
81-5301RK-LV	Cal kit, EAGLE, 34AL cyl H2S/CO/CH4/O2, reg with gauge & knob, gas bag, case & tubing .....	415.00
81-5302RK	Cal kit, EAGLE, 103L steel cyl CO/CH4/O2, dem flow reg, case & tubing .....	495.00
81-5302RK-H	Cal kit, EAGLE, 103L steel cyl CO/Hex/O2, dem flow reg, case & tubing .....	495.00
81-5302RK-HDLV	Cal kit, EAGLE, 34L cyl CO/Hex/O2, dem flow reg, case & tubing .....	445.00
81-5302RK-HLV	Cal kit, EAGLE, 34L cyl CO/Hex/O2, disp valve, gas bag, case & tubing .....	210.00
81-5302RK-LV	Cal kit, EAGLE, 34L cyl CO/CH4/O2, disp valve, gas bag, case & tubing .....	210.00
81-5302RKNG	Cal kit, EAGLE, reg with gauge & knob, gas bag, case for 58AL / 103L steel cylinders & tubing (No Gas) ...	345.00
81-5302RKP	Cal kit, EAGLE, 103L steel cyl 25% LEL Pent/CO/O2, dem flow reg, case & tubing .....	495.00
81-5304RK-LV	Cal Kit,EAG,LEL/O2,34L, PH3/N2,34AL .....	615.00
81-5308RK	Cal kit, EAGLE, 103L steel cyl CO/CH4/O2, 58AL cyl Cl2/N2, dem flow reg, screwdriver, case & tubing .....	855.00
81-5308RKP	Cal kit, EAGLE, 103L steel cyl 25% LEL Pent/CO/O2, 58AL cyl Cl2/N2, dem flow reg, screwdriver, case & tubing .....	855.00
81-5310RK	Cal kit, EAGLE, 103L steel cyl CO/CH4/O2, 58AL cyl Cl2/N2, dem flow reg, screwdriver, case & tubing .....	855.00
81-5311RK-LV	Cal Kit,EAG,LEL/O2/HCl,34L .....	655.00
81-5316RK-03	Cal kit, EAGLE, 103L steel cyl 2.5% CO2/N2, 103L steel cyl CO/CH4/O2/N2, dem flow reg, screwdriver, case & tubing .....	645.00
81-5316RK01	Cal kit, EAGLE, 103L steel cyl d 2,000 ppm CO2/N2, 103L steel cyl CO/CH4/O2, dem flow reg, screwdriver, case & tubing .....	650.00
81-5316RK01-LV	Cal kit, EAGLE, 34L cyl of 2,000 ppm CO2/ N2, 34L cyl CO/CH4/O2, disp valve, gas bag, case & tubing ...	275.00
81-5316RK01DLV	Cal kit, EAGLE, 34L cyl 2,000 ppm CO2/N2, 34L cyl CO/CH4/O2/N2, dem flow reg, screwdriver, case & tubing .....	500.00
81-5316RK02	Cal kit, EAGLE, 103L steel cyl 5000 ppm CO2/N2, 103L steel cyl CO/CH4/O2/N2, dem flow reg, screwdriver, case & tubing .....	650.00
81-5316RK02-LV	Cal kit, EAGLE, 34L cyl of 5,000 ppm CO2/ N2, 34L cyl CO/CH4/O2, disp valve, gas bag, case & tubing ...	275.00
81-5316RK03-DLV	Cal kit, EAGLE, 34L cyl 2.5% CO2/N2, 34L cyl CO/CH4/O2/N2, dem flow reg, screwdriver, case & tubing ...	500.00
81-5316RK03-HLV	Cal kit, EAGLE, 34L cyl 2.5% CO2/N2, 34L cyl CO/Hex/O2, disp valve, gas bag, screwdriver, case & tubing	275.00
81-5316RK03-LV	Cal kit, EAGLE, 34L cyl of 2.5% CO2/ N2, 34L cyl CO/CH4/O2, disp valve, gas bag, case & tubing .....	275.00
81-5316RK04	Cal kit, EAGLE, 103L steel cyl 15% CO2/N2, 34L cyl CO/CH4/O2, dem flow reg, screwdriver, case & tubing	650.00
81-5316RK04-DLV	Cal Kit,EAG,LEL/OXY/CO2,34L,W/DEMAND REG .....	500.00
81-5322RK	Cal kit, EAGLE, 58L cyl 50% vol CH4/N2, 103L steel cyl CO/50% LEL CH4/O2/N2, dem flow reg, screwdriver, case & tubing .....	660.00



# Numerical Index

Part#	Description	Suggested Retail
81-5322RK-LV	Cal kit, EAGLE, 34L cyl 50% vol CH4/N2, 34L cyl CO/CH4/O2/N2, disp valve, gas bag, screwdriver, case & tubing .....	265.00
81-5326RK02-DLV	Cal Kit,EAG,O2/CO/5000 ppm CO2,34L,dem flow reg .....	500.00
81-5327RK	Cal kit, EAGLE, 58AL cyl H2S/N2, 58AL cyl SO2/N2, 58AL cyl HCl/N2, dem flow reg, screwdriver, case & tubing .....	1,230.00
81-5330RK	Cal kit, EAGLE, 58AL cyl H2S/N2, 58AL cyl NH3/N2, dem flow reg, case & tubing .....	795.00
81-5330RK-DLV	Cal kit, EAGLE, 34AL cyl H2S/N2, 34AL cyl NH3/N2, dem flow reg, screwdriver, case & tubing .....	790.00
81-5331RK-LV	Cal kit, EAGLE, 34L cyl 50% LEL CH4/air, 34AL cyl 5 ppm SO2/N2, 34AL cyl 10 ppm NO2/Air, reg with gauge & knob, disp valve, gas bag, screwdriver, case & tubing .....	755.00
81-5335RK-05	Cal kit, EAGLE, 58L cyl 50% vol CH4/N2, 103L steel cyl 15% CO2/N2, dem flow reg, screwdriver, case & tubing .....	660.00
81-5337RK	Cal kit, EAGLE, 58AL cyl H2S/CO/CH4/O2, dem flow reg, case & tubing .....	535.00
81-5339RK	Cal kit, EAGLE, 58AL cyl 5 ppm HCl/N2, reg with gauge & knob, gas bag, screwdriver, case & tubing .....	725.00
81-5350RK-DLV	Cal kit, EAGLE, 103L steel cyl 50% LEL Methane/Air, 58AL cyl SiH4/N2, 34AL cyl Cl2/N2, dem flow reg, case & tubing .....	1,075.00
81-5354RKIB-DLV	Cal kit, EAGLE, 34AL cyl 25 ppm H2S/CO/50% LEL isobutane/O2/N2, dem flow reg, screwdriver, case & tubing .....	550.00
81-5354RKIB-LV	Cal kit, EAGLE, 34AL cyl 25 ppm H2S/CO/50% LEL isobutane/O2/N2, reg with gauge & knob, gas bag, screwdriver, case & tubing .....	420.00
81-5355RK	Cal kit, EAGLE, 58AL cyl 50 ppm H2S/50% LEL isobutane/N2, reg with gauge & knob, gas bag, screwdriver, case & tubing .....	445.00
81-5355RK-LV	Cal kit, EAGLE, 34AL cyl 50 ppm H2S/50% LEL isobutane/N2, reg with gauge & knob, gas bag, screwdriver, case & tubing .....	410.00
81-5355RK-NG	Cal kit, EAGLE, reg with gauge & knob, gas bag, screwdriver, case for 58AL / 103L steel cylinders & tubing (No Gas) .....	225.00
81-5371RK03	Cal Kit,EAG,O2/H2S/CO2 2.5%,103L .....	630.00
81-5371RK05	Cal kit, EAGLE, 34AL cyl H2S/N2, 103L steel cyl 15% CO2/N2, dem flow reg, screwdriver, case & tubing ...	630.00
81-5384RK03-DLV	Cal kit, EAGLE, 34L cyl 2.5% CO2/N2, 17L cyl CO/Isobutane/O2, dem flow reg, screwdriver, case & tubing	490.00
81-5394RKH2-DLV	Cal kit, EAGLE, 103L steel cyl 50% LEL H2 in n2, 103L steel cyl 100 ppm CO in air, 34AL 5 ppm SO2 in n2, dem flow reg, screwdriver, case & tubing .....	865.00
81-5401RK	Cal kit, EAGLE, 58AL cyl H2S (25 ppm)/CO/CH4/O2, dem flow reg, case & tubing .....	535.00
81-5401RK-DLV	Cal kit, EAGLE, 34AL cyl H2S (25 ppm)/CO/CH4/O2, dem flow reg, case & tubing .....	540.00
81-5401RK-H	Cal kit, EAGLE, 58AL cyl H2S/CO/Hex/O2, dem flow reg, case & tubing .....	565.00
81-5401RK-HLVD	Cal kit, EAGLE, 34AL cyl H2S/CO/Hex/O2, dem flow reg, case & tubing .....	540.00
81-5401RK-LV	Cal kit, EAGLE, 34AL cyl H2S (25 ppm)/CO/CH4/O2, reg with gauge & knob, gas bag, case & tubing .....	415.00
81-5401RK-P	Cal kit, EAGLE, 58AL cyl H2S/CO/32% LEL Pent/O2, dem flow reg, case & tubing .....	565.00
81-5401RKD	Cal kit, EAGLE, 58AL cyl H2S (25 ppm)/CO/CH4/O2,reg with gauge & knob, cal cup, case & tubing .....	415.00
81-5401RKIB-DLV	Cal kit, EAGLE, 34AL cyl 25 ppm H2S/CO/50% LEL isobutane/O2/N2, dem flow reg, case & tubing .....	540.00
81-5401RKIB-LV	Cal Kit,EAG,H2S/CO/LELisobutane/O2,34L .....	360.00
81-5401RKNG	Cal kit, EAGLE, demand flow regulator, case for 58AL / 103L steel cylinders & tubing (No Gas).....	345.00
81-5401RKNG-LV	Cal kit, EAGLE, reg with gauge & knob, gas bag, screwdriver, case for 17/34L cylinders & tubing (No Gas)	255.00
81-5402RK	Cal kit, EAGLE, 58AL cyl H2S (25 ppm)/CO/CH4/O2, 58AL cyl SO2/N2, dem flow reg, case & tubing.....	695.00
81-5403RK	Cal kit, EAGLE, 58AL cyl SO2/CO/LEL/O2, dem flow reg, case & tubing .....	655.00
81-5403RK-DLV	Cal Kit,EAG,SO2/N2 34AL, CO/CH4/O2 103L,dem reg .....	635.00
81-5404RK	Cal kit, EAGLE, 58AL cyl H2S (25 ppm)/CO/CH4/O2, 58AL cyl Cl2/N2, dem flow reg, screwdriver, case & tubing .....	1,175.00
81-5405RK	Cal kit, EAGLE, 103L steel cyl CO/CH4/O2, 58AL cyl Cl2/N2, dem flow reg, screwdriver, case & tubing .....	855.00
81-5405RK-LV	Cal Kit,EAG,LEL/O2/CO/Cl2,34L .....	575.00
81-5406RK	Cal kit, EAGLE, 103L steel cyl CO/LEL/O2, 58AL cyl NH3/N2, 58AL cyl Cl2/N2, dem flow reg, screwdriver, case & tubing .....	1,495.00
81-5406RK-LV	Cal kit, EAGLE, 34L cyl CO/CH4/O2, 34AL cyl Cl2/N2, disp valve, reg with gauge & knob, case & tubing ...	980.00
81-5406RK-P	Cal kit, EAGLE, 103L steel cyl 25% LEL Pent/CO/O2, 58AL cyl NH3/N2, dem flow reg, screwdriver, case & tubing .....	1,495.00
81-5407RK-LV	Cal kit, EAGLE, 34L steel cyl CO 50 ppm/CH4 50% LEL/O2 12% vol in N2, 34AL cyl NH3 25 ppm in N2, 34AL cyl Cl2 2 ppm in N2, dispensing valve, two regulator wtih 6 LPM, gas bag, screwdriver, case & tubing .....	980.00
81-5408RK-LV	Cal kit, EAGLE, 34AL cyl NH3/N2, 34AL cyl PH3/N2, 34L cyl CO/CH4/O2, reg with gauge & knob, dispensing valve, gas bag, screwdriver, case & tubing .....	895.00
81-5410RK	Cal kit, EAGLE, 58AL cyl H2S (25 ppm)/CO/CH4/O2, 58AL cyl NH3/N2, dem flow reg, screwdriver, case & tubing .....	855.00

# Numerical Index

<b>Part#</b>	<b>Description</b>	<b>Suggested Retail</b>
81-5410RK-LV	Cal kit, EAGLE, 34AL cyl H2S (25 ppm)/CO/CH4/O2, 34AL cyl NH3/N2, reg with gauge & knob, gas bag, screwdriver, case & tubing .....	715.00
81-5412RK	Cal kit, EAGLE, 103L steel cyl CO/LEL/O2, 58AL cyl 25 ppm NH3/N2, dem flow reg, screwdriver, case & tubing .....	815.00
81-5412RK-DLV	Cal kit, EAGLE, 103L steel cyl CO/LEL/O2, 34AL cyl 25 ppm NH3/N2, dem flow reg, screwdriver, case & tubing .....	795.00
81-5412RK01-LV	Cal kit, EAGLE, 34L cyl CO/CH4/O2, 34AL cyl 25 ppm NH3/N2, disp valve, reg with gauge & knob, gas bag, screwdriver, case & tubing .....	505.00
81-5412RKH	Cal kit, EAGLE, 103L steel cyl CO/Hex/O2, 58AL cyl 25 ppm NH3/N2, dem flow reg, screwdriver, case & tubing .....	875.00
81-5415RK-LV	Cal Kit,EAG,LEL/O2/CO,34L, NO/N2,34AL,disp valve,bag .....	615.00
81-5416RK01	Cal kit, EAGLE, 103L steel cyl 2,000 ppm CO2/N2, 103L steel cyl CO/CH4/O2, dem flow reg, screwdriver, case & tubing .....	650.00
81-5416RK01-DLV	Cal kit, EAGLE, 34L cyl 2,000 ppm CO2/N2, 34L cyl CO/CH4/O2, dem flow reg, screwdriver, case & tubing .....	500.00
81-5416RK01-LV	Cal Kit,EAG,LEL/O2/CO/CO2,34L .....	275.00
81-5416RK02	Cal kit, EAGLE, 103L steel cyl 5,000 ppm CO2/N2, 103L steel cyl CO/CH4/O2, dem flow reg, screwdriver, case & tubing .....	650.00
81-5416RK03	Cal kit, EAGLE, 103L steel cyl 2.5% CO2/N2, 103L steel cyl CO/CH4/O2, dem flow reg, screwdriver, case & tubing .....	650.00
81-5416RK03-DLV	Cal kit, EAGLE, 34L cyl 2.5% CO2/N2, 34L cyl CO/CH4/O2, dem flow, screwdriver, case & tubing .....	500.00
81-5416RK03-LV	Cal kit, EAGLE, 34L cyl 2.5% CO2/N2, 34L cyl CO/CH4/O2, disp valve, gas bag, screwdriver, case & tubing .....	275.00
81-5416RK04-LV	Cal kit, EAGLE, 34L cyl 15% CO2/N2, 34L cyl CO/CH4/O2, disp valve, gas bag, screwdriver, case & tubing .....	275.00
81-5416RK05-DLV	Cal kit, EAGLE, 34L steel cyl CO2 2.5% vol in N2, 34L steel cyl CO 50 ppm/ch4 50% LEL/O2 12% in N2, demand flow regulator, screwdriver, case & tubing .....	500.00
81-5417RK	Cal kit, EAGLE, 34L cyl CO/CH4/O2, 34AL cyl Cl2/N2, disp valve, reg with gauge & knob, gas bag, screwdriver, case & tubing .....	855.00
81-5421RK	Cal kit, EAGLE, 34L cyl CO/CH4/O2, 34AL cyl Cl2/N2, disp valve, reg with gauge & knob, gas bag, screwdriver, case & tubing .....	1,005.00
81-5421RK-LV	Cal Kit,EAG,LEL/O2/CO/HCl,34L & 34AL .....	655.00
81-5422RK	Cal kit, EAGLE, 34L cyl CO/CH4/O2, 34AL cyl SO2/N2, 34AL cyl Cl2/N2, disp valve, reg with gauge & knob, screwdriver, case & tubing .....	1,175.00
81-5424RK-LV	Cal Kit,EAG,LEL/O2/CO 34L,SiH4/N2 34AL,HCl/N2 34AL .....	960.00
81-5438RK	Cal kit, EAGLE, 58L cyl 50% vol CH4/N2, 103L steel cyl CO/50% LEL CH4/O2/N2, dem flow reg, screwdriver, case & tubing .....	660.00
81-5438RK-LV	Cal kit, EAGLE, 34L cyl 50% vol CH4/N2, 34L CO/CH4/O2/N2, disp valve, gas bag, screwdriver, case & tubing .....	265.00
81-5439RK01	Cal kit, EAGLE, 103L steel cyl 2,000 ppm CO2/N2, 58AL cyl 25 ppm H2S/CO/CH4/O2/N2, dem flow reg, screwdriver, case & tubing .....	690.00
81-5439RK01-H	Cal kit, EAGLE, 58AL cyl 25 ppm H2S/CO/15% LEL Hexane/O2/N2, 103L steel cyl 2,000 ppm CO2/N2, dem flow reg, screwdriver, case & tubing .....	715.00
81-5439RK02-DLV	Cal kit, EAGLE, 34L cyl 5,000 ppm CO2/N2, 34AL cyl H2S/CO/CH4/O2, dem reg, screwdriver, case & tubing .....	655.00
81-5439RK02-LV	Cal kit, EAGLE, 34L cyl 5,000 ppm CO2/N2, 34AL cyl H2S/CO/CH4/O2, disp valve, reg with gauge & knob, gas bag, screwdriver, case & tubing .....	505.00
81-5439RK03-DLV	Cal kit, EAGLE, 34L cyl 2.5% vol CO2/N2, 34AL cyl H2S/CO/CH4/O2, dem reg, screwdriver, case & tubing .....	655.00
81-5439RK03-H	Cal kit, EAGLE, 103L steel cyl 2.5% CO2/N2, 58AL cyl H2S/CO/CH4/O2, dem flow reg, screwdriver, case & tubing .....	720.00
81-5439RK03-HLV	Cal kit, EAGLE, 34L cyl 2.5% CO2/N2, 34AL cyl H2S/CO/CH4/O2, disp valve, reg with gauge & knob, gas bag, screwdriver, case & tubing .....	505.00
81-5439RK04-HLV	Cal kit, EAGLE, 34L cyl 15% CO2/N2, 34AL cyl H2S/CO/Hex/O2, disp valve, reg with gauge & knob, gas bag, case & tubing .....	505.00
81-5439RK05-DLV	Cal kit, EAGLE, 34L cyl 15% CO2/N2, 34AL cyl 25 ppm H2S/CO/CH4/O2/N2, dem flow reg, screwdriver, case & tubing .....	655.00
81-5440RK	Cal kit, EAGLE, 103L steel cyl CO/LEL/O2, 58AL cyl PH3/N2, 58AL cyl HCl/N2, reg with gauge & knob, gas bag, screwdriver, case & tubing .....	1,215.00
81-5440RKH	Cal kit, EAGLE, 103L steel cyl CO/15% LEL Hexane/O2/N2, 58AL cyl PH3/N2, 58AL cyl HCl/N2, reg with gauge & knob, gas bag, screwdriver, case & tubing .....	1,370.00
81-5441RK	Cal kit, EAGLE, 58L cyl 50% vol CH4/N2, 103L steel cyl CO/CH4/O2, dem flow reg, screwdriver, case & tubing .....	660.00

# Numerical Index

Part#	Description	Suggested Retail
81-5442RK	Cal kit, EAGLE, 58L cyl 50% vol CH4/N2, 58AL cyl 25 ppm H2S/CO/50% LEL CH4/O2/N2, dem flow reg, screwdriver, case & tubing .....	700.00
81-5445RK-LV	Cal kit, EAGLE, 34L cyl CO/N2, 34AL cyl NH3/N2, 34AL cyl Cl2/N2, disp valve, reg with gauge & knob, gas bag, screwdriver, case & tubing .....	980.00
81-5448RK05H2	Cal kit, EAGLE, 103L steel cyl 50% LEL H2/N2, 103L steel cyl 15% CO2/N2, 34AL cyl NH3/N2, dem flow reg, screwdriver, case & tubing .....	1,005.00
81-5451RK	Cal kit, EAGLE, 58L cyl 50% vol CH4/N2, 58AL cyl H2S/CO/CH4/O2, dem flow reg, case & tubing .....	730.00
81-5452RK	Cal Kit,EAG,LEL/O2/C, 103L, HCN/N2, 58AL,dem flow reg .....	760.00
81-5452RK-LV	Cal kit, EAGLE, 34L cyl CO/CH4/O2, 34AL cyl HCN/N2, reg with gauge & knob, disp valve, gas bag, case & tubing .....	570.00
81-5464RK-LV	Cal kit, EAGLE, 34L cyl CO/CH4/O2/N2, 34AL cyl 25 ppm NH3/N2, reg with gauge & knob, disp valve, gas bag, screwdriver, case & tubing .....	690.00
81-5468RK03-DLV	Cal Kit,EAG,LEL/O2/H2S/CO2,34L,dem flow reg .....	660.00
81-5468RK03-LV	Cal kit, EAGLE, 34L cyl 2.5% CO2/N2, 34AL cyl 25 ppm H2S/CO/CH4/O2/N2, reg with gauge & knob, disp valve, gas bag, screwdriver, case & tubing .....	505.00
81-5473RK-LV	Cal kit, EAGLE, 34L cyl CO/CH4/O2, 34AL cyl Cl2/N2, 34L cyl 100% N2, reg with gauge & knob, disp valve, gas bag, screwdriver, case & tubing .....	790.00
81-5474RK03	Cal Kit,EAG,LEL/CH4vol/O2/CO2 2.5%,103,58L .....	875.00
81-5474RK04	Cal kit, EAGLE, 58L cyl 50% vol CH4/N2, 103L steel cyl 5,000 ppm CO2/N2, 103L steel cyl CO/50% LEL CH4/O2/N2, dem flow reg, screwdriver, case & tubing .....	875.00
81-5474RK05	Cal Kit,EAG,LEL/O2/H2S, 34AL, 15% CO2,103L .....	655.00
81-5474RK20	Cal kit, EAGLE, 58L cyl 50% vol CH4/N2, 103L steel cyl 5,000 ppm CO2/N2, 103L steel cyl CO/50% LEL CH4/O2/N2, dem flow reg, screwdriver, case & tubing .....	875.00
81-5488RKH-LV	Cal kit, EAGLE, 34L cyl CO/Hex/O2, 34AL cyl PH3/N2, 34AL cyl HCN/N2, reg with gauge & knob, disp valve, gas bag, screwdriver, case & tubing .....	835.00
81-5501RK	Cal kit, EAGLE, 58AL cyl H2S/CO/CH4/O2, 58AL cyl SO2/N2, dem flow reg, screwdriver, case & tubing ...	695.00
81-5501RK-DLV	Cal kit, EAGLE, 34AL cyl H2S/CO/CH4/O2, 34AL cyl SO2/N2, dem flow reg, screwdriver, case & tubing ...	690.00
81-5501RK-H	Cal kit, EAGLE, 58AL cyl H2S/CO/Hex/O2, 58AL cyl SO2/N2, dem flow reg, case & tubing .....	725.00
81-5502RK	Cal kit, EAGLE, 103L steel cyl 10% LEL Hex/Air, 58AL cyl H2S/CO/CH4/O2, 58AL cyl Cl2/N2, dem flow reg, screwdriver, case & tubing .....	1,175.00
81-5503RK	Cal kit, EAGLE, 58AL cyl H2S/CO/CH4/O2, 58AL cyl NH3/N2, dem flow reg, screwdriver, case & tubing ...	855.00
81-5503RK-DLV	Cal kit, EAGLE, 34AL cyl 25 ppm H2S/CO/CH4/O2, 34AL cyl NH3/N2, dem flow reg, screwdriver, case & tubing .....	830.00
81-5504RK01	Cal kit, EAGLE, 103L steel cyl 2,000 ppm CO2/N2, 58AL cyl 25 ppm H2S/CO/CH4/O2, dem flow reg, screwdriver, case & tubing .....	690.00
81-5504RK01-HLV	Cal kit, EAGLE, 34L cyl 2,000 ppm CO2/N2, 34AL cyl H2S/CO/Hex/O2, reg with gauge & knob, disp valve, gas bag, screwdriver, case & tubing .....	505.00
81-5504RK02	Cal kit, EAGLE, 103L steel cyl 5,000 ppm CO2/N2, 58AL cyl 25 ppm H2S/CO/CH4/O2, dem flow reg, screwdriver, case & tubing .....	685.00
81-5504RK02-DLV	Cal Kit,EAG,LEL/O2/CO/H2S 34AL,CO2 5000 ppm 103L, Dem Reg .....	655.00
81-5504RK03	Cal kit, EAGLE, 103L steel cyl 2.5% CO2/N2, 58AL cyl 25 ppm H2S/CO/CH4/O2, dem flow reg, screwdriver, case & tubing .....	685.00
81-5504RK03-DLV	Cal kit, EAGLE, 103L steel cyl 2,5% CO2/N2, 34AL cyl H2S/CO/CH4/O2, dem flow reg, screwdriver, case & tubing .....	660.00
81-5504RK03-LV	Cal kit, EAGLE, 34L cyl 2,5% CO2/N2, 34AL cyl H2S/CO/CH4/O2, reg with gauge & knob, disp valve, gas bag, screwdriver, case & tubing .....	505.00
81-5504RK04-LV	Cal kit, EAGLE, 34L cyl 15% CO2/N2, 34AL cyl H2S/CO/CH4/O2, reg with gauge & knob, disp valve, gas bag, screwdriver, case & tubing .....	505.00
81-5504RK05	Cal kit, EAGLE, 103L steel cyl 15% CO2/N2, 58AL cyl 25 ppm H2S/CO/CH4/O2, dem flow reg, screwdriver, case & tubing .....	690.00
81-5505RK	Cal kit, EAGLE, 103L steel cyl CO/CH4/O2, 58AL cyl SO2/N2, 58AL cyl Cl2/N2, dem flow reg, screwdriver, case & tubing .....	1,350.00
81-5506RK	Cal kit, EAGLE, 103L steel cyl CO/CH4/O2, 58AL cyl NH3/N2, 58AL cyl Cl2/N2, dem flow reg, screwdriver, case & tubing .....	1,495.00
81-5508RKH-LV	Cal kit, EAGLE, 34AL cyl H2S/CO/Hex/O2, 34AL cyl HCl/N2, reg with gauge & knob, screwdriver, case & tubing .....	735.00
81-5510RK-LV	Cal kit, EAGLE, 34L cyl CO/CH4/O2, 34AL cyl SO2/N2, 34AL cyl NO/N2, disp valve, reg with gauge & knob, gas bag, screwdriver, case & tubing .....	755.00
81-5520RK03	Cal kit, EAGLE, 103L steel cyl 2.5% CO2/N2, 103L steel cyl CO/CH4/O2, 58AL cyl NH3/N2, dem flow reg, case & tubing .....	1,025.00
81-5525RK	Cal kit, EAGLE, 58AL cyl H2S/CO/CH4/O2, 58AL cyl Cl2/N2, dem flow reg, screwdriver, case & tubing ...	1,175.00

# Numerical Index

Part#	Description	Suggested Retail
81-5526RK-LV	Cal kit, EAGLE, 34AL cyl H2S/CO/CH4/O2, 34AL cyl NH3/N2, 34AL cyl Cl2/N2, reg with gauge & knob, gas bag, screwdriver, case & tubing .....	1,060.00
81-5529RK-DLV	Cal kit, EAGLE, 34AL cyl 25 ppm H2S/CO/CH4/O2/N2, 34AL cyl 2 ppm Chlorine/N2, dem flow reg, screwdriver, case & tubing .....	1,060.00
81-5549RK	Cal kit, EAGLE, 103L steel cyl 50% LEL Hydrogen/Air, 103L steel cyl 100% N2, 58AL cyl H2S/CO/CH4/O2, 58AL cyl 2 ppm Chlorine/N2, dem flow reg, screwdriver, case & tubing .....	1,195.00
81-5550RK-HLV	Cal kit, EAGLE, 34L cyl CO/CH4/O2/N2, 34AL cyl 2 ppm Chlorine/N2, 34AL cyl 0.5 ppm Phosphine/N2, dem flow reg, screwdriver, case & tubing .....	835.00
81-5601RK	Cal kit, EAGLE, 58AL cyl H2S/CO/CH4/O2, 58AL cyl NH3/N2, 58AL cyl Cl2/N2, dem flow reg, screwdriver, case & tubing .....	1,525.00
81-5601RK-DLV	Cal kit, EAGLE, 34AL cyl H2S/CO/CH4/O2, 34AL cyl 10 ppm Ammonia/N2, 34AL cyl 2 ppm Chlorine/N2, dem flow reg, screwdriver, case & tubing .....	1,335.00
81-5601RK-LV	Cal kit, EAGLE, 34AL cyl H2S/CO/CH4/O2, 34AL cyl NH3/N2, 34AL cyl Cl2/N2, reg with gauge & knob, gas bag, screwdriver, case & tubing .....	1,060.00
81-5606RK-LV	Cal kit, EAGLE, 34AL cyl H2S/CO/CH4, 34AL cyl PH3/N2, 34AL cyl HCl/N2, reg with gauge & knob, gas bag, screwdriver, case & tubing .....	995.00
81-5608RK02	Cal kit, EAGLE, 103L steel cyl 5,000 ppm CO2/N2, 58AL cyl H2S/CO/CH4/O2, 58AL cyl NH3/N2, dem flow reg, screwdriver, case & tubing .....	1,065.00
81-5608RK02-LV	Cal kit, EAGLE, 34L cyl 5,000 ppm CO2/N2, 34AL cyl H2S/CO/CH4/O2, disp valve, reg with gauge & knob, gas bag, screwdriver, case & tubing .....	795.00
81-5608RK03-DLV	Cal kit, EAGLE, 103L steel cyl 2.5% CO2/N2, 34AL cyl H2S/CO/CH4/O2, 34AL cyl NH3/N2, dem flow reg, screwdriver, case & tubing .....	1,015.00
81-5608RK03-LV	Cal kit, Eagle,LEL/O2/CO/HS/NH3/CO2(2.5%) .....	795.00
81-5609RK01	Cal kit, EAGLE, 103L steel cyl 2,000 ppm CO2/N2, 58AL cyl H2S/CO/CH4/O2, 58AL cyl NO2/Air, dem flow reg, screwdriver, case & tubing .....	1,065.00
81-5612RK03-LV	Cal kit, EAGLE, 34AL cyl 25 ppm H2S/CO/CH4/O2, 34AL cyl Cl2/N2, 34L cyl CO2/N2, reg with gauge & knob, disp valve, gas bag, screwdriver, case & tubing .....	855.00
81-5616RK03-LV	Cal kit, EAGLE, 34L cyl 2.5% CO2/N2, 34AL cyl 25 ppm H2S/CO/CH4/O2/N2, 34AL SO2/N2, reg with gauge & knob, disp valve, gas bag, screwdriver, case & tubing .....	645.00
81-5621RK-DLV	Cal kit, EAGLE/GX-6000, 34AL cyl SO2 5 ppm/H2S 25 ppm/CO 50 ppm/CH4 50% LEL/O2 12% in N2, 34AL cyl 2 ppm Cl2 in N2, two demand flow regulators, screwdriver, case & tubing .....	1,100.00
81-6AAX-DLV	Cal Kit, GX-6000, 34AL cyl 10 ppm isobutylene in air, 34AL cyl H2S/CO/CH4/O2, dem flow reg, case & tubing .....	690.00
81-6ABI-DLV	Cal Kit, GX-6000, 34AL cyl 100 ppm Isobutylene/H2S/CO/CH4 LEL/O2, 34AL cyl 5 ppm SO2 in N2, dem flow reg, case, tubing .....	750.00
81-6ABK-DLV	Cal Kit, GX-6000, 34AL cyl 100 ppm Isobutylene/H2S/CO/CH4/O2, 34AL cyl 10 ppm NO2 in N2, dem flow reg, case, tubing .....	870.00
81-6ABL-DLV	Cal Kit, GX-6000, 34AL cyl 100 ppm Isobutylene/H2S/CO/CH4/O2, 34AL cyl 10 ppm HCN in N2, dem flow reg, case, tubing .....	830.00
81-6ABX	Cal Kit, GX-6000, 58AL cyl 100 ppm Isobutylene/H2S/CO/CH4/O2, dem flow reg, case, tubing .....	685.00
81-6ABX-DLV	Cal Kit, GX-6000, 34AL cyl 100 ppm Isobutylene/H2S/CO/CH4/O2, dem flow reg, case, tubing .....	610.00
81-6AIM-DLV	Cal kit, GX-6000, 34AL cyl SO2 5 ppm/H2S 25 ppm/CO 50 ppm/O2 12% in N2, 34AL cyl NH3 25 ppm in N2, demand flow regulator, case & tubing .....	860.00
81-6APX	Cal kit, GX-6000, 58AL cyl 5 ppm Cl2 in N2, 58AL cyl CH4/O2/H2S/CO, dem flow reg, case and tubing .....	1,165.00
81-6AXX	Cal kit, GX-6000, 58AL cyl CH4/O2/H2S/CO, dem flow reg, case and tubing .....	535.00
81-6AXX-DLV	Cal kit, GX-6000, 34AL cyl CH4/O2/H2S/CO, dem flow reg, case and tubing .....	540.00
81-6XAX-DLV	Cal Kit, GX-6000, 34AL cyl 10 ppm isobutylene in air, dem flow reg, case & tubing .....	530.00
81-6XBX-DLV	Cal Kit, GX-6000, 34AL cyl 100 ppm isobutylene in air, dem flow reg, case & tubing .....	530.00
81-6XZX	Cal Kit, GX-6000, 103L steel cyl 5 ppm benzene in air, dem flow reg, case & tubing .....	495.00
81-6XZX-DLV	Cal Kit, GX-6000, 34AL cyl 5 ppm benzene in air, dem flow reg, case & tubing .....	510.00
81-9001RK-04	Cylinder, PH3 1 ppm in N2, 34AL .....	300.00
81-9002RK-02	Cylinder, H2S 25 ppm / CO 50 ppm / CH4 50% LEL / O2 20.9% in N2, 58AL .....	250.00
81-9003RK-02	Cylinder, H2S 25 ppm / CO 50 ppm / Pentate 25% LEL (0.35% vol) / O2 15% in N2, 58AL .....	220.00
81-9006RK-03	Cylinder, N2O 250 ppm in N2, 103L steel .....	150.00
81-9007RK-02	Cylinder, NH3 50 ppm in air, 58AL .....	350.00
81-9007RK-04	Cylinder, NH3 50 ppm in air, 34AL .....	280.00
81-9008RK-03	Cylinder,CO 2% vol (16%LEL) balance air,103L .....	150.00
81-9009RK-02	Cylinder,NF3 20 ppm in N2,58AL .....	360.00
81-9010RK-02	Cylinder,SiH4 20 ppm in Nitrogen,58AL .....	360.00
81-9011RK-03	Cylinder,CH4 60% LEL in Air,103L .....	150.00
81-9012RK-04	Cylinder, H2S 10 ppm / CO 60 ppm / CH4 58% LEL / O2 15% in N2, 34AL .....	150.00

# Numerical Index

Part#	Description	Suggested Retail
81-9013RK-01	Cylinder, H2S 20 ppm / CO 60 ppm / CH4 58% LEL / O2 15% in N2, 34AL	150.00
81-9015RK-03	Cylinder, CH4 3000 ppm in Air, 103L	150.00
81-9016RK-01	Cylinder, Propane 8% vol in N2, 34L	55.00
81-9017RK-03	Cylinder, R-123 50 ppm in air, 103L	150.00
81-9018RK-02	Cylinder, H2S 10 ppm / CO 50 ppm / O2 18% / CH4 50% LEL in N2, 58AL	220.00
81-9019RK-02	Cylinder, NO 50 ppm in N2, 58AL	360.00
81-9020RK-02	Cylinder, Benzene 100 ppm in air, 58AL	150.00
81-9021RK-116	Cylinder, NF3 10 ppm in N2, 116AL	675.00
81-9022RK-03	Cylinder, isoButane 4000 ppm in air, 103L	150.00
81-9023RK-01	Cylinder, CH4 10,000 ppm in air, 34L steel	55.00
81-9023RK-03	Cylinder, CH4 10,000 ppm in air, 103L	150.00
81-9024RK-01	Cylinder, H2 4% vol in argon, 34L steel	55.00
81-9025RK-03	Cylinder, Propane, 50% LEL in N2, 103L	150.00
81-9026RK-02	Cylinder, SO2 10 ppm in N2, 58AL	150.00
81-9027RK-02	Cylinder, H2S, 10 ppm / 50% LEL Propane in N2, 58AL	220.00
81-9028RK-03	Cylinder, Propane 50% vol in N2, 103L	150.00
81-9029RK-02	Cylinder, NH3 100 ppm in N2, 58AL	350.00
81-9029RK-04	Cylinder, NH3 100 ppm in N2, 34AL	280.00
81-9030RK-02	Cylinder, Hexafluorobutadiene 2 ppm in air, 58AL	150.00
81-9033RK-08	Cylinder, Ethane 99% vol, 100AL, partial pressure 300 psi	220.00
81-9034RK-03	Cylinder, O2 0.4% in N2, 103L steel	150.00
81-9035RK-02	Cylinder, SO2 200 ppm / CO2 10% vol in N2, 58AL	220.00
81-9035RK-116	Cylinder, SO2 200 ppm / CO2 10% vol in N2, 116AL	350.00
81-9036RK-01	Cylinder, isobutane 5000 ppm in air, 34L steel	55.00
81-9037RK-02	Cylinder, SiH4 10 ppm in N2, 58AL	360.00
81-9038RK-02	Cylinder, Ethylene Oxide 50 ppm in air, 58AL	180.00
81-9039RK-02	Cylinder, SO2 200 ppm / CO2 20% vol in N2, 58AL	220.00
81-9039RK-116	Cylinder, SO2 200 ppm / CO2 20% vol in N2, 116AL	350.00
81-9040RK-03	Cylinder, O2 17% in N2, 103L	150.00
81-9041RK-01	Cylinder, CH4 30% LEL in air, 34L steel	55.00
81-9042RK-01	Cylinder, CH4 60% LEL in air, 34L steel	55.00
81-9043RK-01	Cylinder, CO 50 ppm / CO2 5000 ppm / O2 12% / CH4 50% LEL in air, 34L steel	55.00
81-9043RK-03	Cylinder, CO 50 ppm / CO2 5000 ppm / O2 12% / CH4 50% LEL in air, 103L	150.00
81-9044RK-02	Cylinder, H2S 25 ppm / CO 50 ppm / CO2 5000 ppm / O2 12% / CH4 50% LEL in air, 58AL	280.00
81-9044RK-04	Cylinder, H2S 25 ppm / CO 50 ppm / CO2 5000 ppm / O2 12% / CH4 50% LEL in air, 34AL	180.00
81-9045RK-02	Cylinder, H2S 25 ppm / CO 50 ppm / CO2 2.5% / O2 12% / CH4 50% LEL in air, 58AL	280.00
81-9045RK-04	Cylinder, H2S 25 ppm / CO 50 ppm / CO2 2.5% / O2 12% / CH4 50% LEL in air, 34AL	180.00
81-9046RK-01	Cylinder, O2 5% in N2, 34L steel	55.00
81-9047RK-02	Cylinder, HCN 5 ppm in N2, 58AL	350.00
81-9048RK-02	Cylinder, O2 99.99%, 58AL	150.00
81-9049RK-02	Cylinder, Cl2 25 ppm in N2, 58AL	350.00
81-9050RK-02	Cylinder, CH2O 5 ppm in N2, 58AL	260.00
81-9051RK-02	Cylinder, CH2O 5 ppm in air, 58AL	260.00
81-9062RK-04	Cylinder, Ethylene Oxide 5 ppm in Air, 34AL	270.00
81-9065RK-02	Cylinder, H2S 25ppm/CO 100ppm/Pentane 25%LEL/O2 18%/N2,58AL	260.00
81-9066RK-02	Cylinder, NH3 100 ppm in air, 58AL	350.00
81-9067RK-02	Cylinder, CH4 100 ppm in air, 58AL	150.00
81-9069RK-03	Cylinder, CH4 20 ppm in air, 103L	150.00
81-9070-01	Cylinder, CH4 50% LEL in real air (CO2 0.04% / Ar 0.91% / O2 20.43% balance N2), 34 liter steel	110.00
81-9070-03	Cylinder, CH4 50% LEL in real air (CO2 0.04% / Ar 0.91% / O2 20.43% balance N2), 103 liter steel	120.00
81-9070-05	Cylinder, CH4 50% LEL in real air, 2.5% CH4/0.04% CO2/0.91% argon/20.43% oxygen/N2 balance, 58L	150.00
81-CO01-LV	Cal kit, CO-01, 34L cyl 50 ppm CO/N2, reg with gauge & knob, cal cup, case & tubing	315.00
81-CO03	Cal kit, CO-03, CO 50 ppm in air 103L steel cyl, regulator, cal cup, case & tubing	370.00
81-CO03-LV	Cal kit, CO-03, CO 50 ppm in air 34L steel cyl, regulator, cal cup, case & tubing	310.00
81-CO04-LV	Cal kit, CO-04, 34AL cyl CO 50 ppm in N2, regulator, cal cup, case & tubing	310.00
81-CO04C-LV	Cal kit, CO-04C, 34L cyl CO 50 ppm in N2, 34L cyl H2 200 ppm in air, regulator, cal cup, case & tubing	350.00
81-CS460-07	SDM-6000 w/USB & ethernet cable/SD card/reader/single AC adptr/DFR/sample & exh tube/34L 4gas cyl	2,555.00
81-CX04-LV	Cal kit, CX-04, 34L cyl CO 50 ppm in N2, regulator, cal cup, case & tubing	310.00
81-DM2009	DM2009 docking module for GX-2009	880.00
81-EC600-LV	Cal Kit, fixed for EC-600, 34L cyl 50 ppm CO in N2, reg with gauge & knob, cal cup, case & tubing	325.00

# Numerical Index

<b>Part#</b>	<b>Description</b>	<b>Suggested Retail</b>
81-F001RK	Cal kit, fixed, 103L steel cyl 10% LEL Hexane in Air, reg with gauge & knob, cal cup, screwdriver, case & tubing .....	390.00
81-F001RK-LV	Cal kit, fixed, 34L cyl 15% LEL Hexane in Air, reg with gauge & knob, cal cup, screwdriver, case & tubing .....	335.00
81-F001RK-NG	Cal Kit, fixed, No Gas for 58AL or 103L cylinder size .....	235.00
81-F001RKIR-LV	Cal kit, fixed, 34L cyl 15% LEL Hexane in Air, reg with gauge & knob, cal cup for IR 3/4" NPT sensor, screwdriver, case & tubing .....	305.00
81-F001RKNG-LV	Cal kit, fixed for 34L size cylinder (gas sold seperately), reg with gauge & knob, cal cup, screwdriver, case & tubing .....	280.00
81-F001RKS-LV	Cal kit, fixed, 34L cyl 15% LEL Hexane in Air, disp valve, gas bag, screwdriver, case & tubing .....	220.00
81-F001RKS-LVH	Cal Kit, fixed, HEX, SD, 34L .....	540.00
81-F002RK	Cal kit, fixed, 103L steel cyl 50% LEL Methane in Air, reg with gauge & knob, cal cup, screwdriver, case & tubing .....	390.00
81-F002RK-LV	Cal kit, fixed, 34L cyl 50% LEL Methane in Air, reg with gauge & knob, cal cup, screwdriver, case & tubing .....	335.00
81-F004RK	Cal kit, fixed, 103L steel cyl 50% LEL Hydrogen in Air, reg with gauge & knob, cal cup, screwdriver, case & tubing .....	390.00
81-F004RK-LV	Cal kit, fixed, 34L cyl 50% LEL Hydrogen in Air, reg with gauge & knob, cal cup, screwdriver, case & tubing .....	335.00
81-F004RK-LVP	Cal kit, fixed, 34L cyl 50% LEL Hydrogen in Air, reg with gauge & knob, cal cup (for RKI potted sensor), screwdriver, case & tubing .....	310.00
81-F004RKR-10	Cal Kit, fixed, remote cal, LEL Hydrogen/air, zero air, 103L (no cal cup) .....	495.00
81-F004RKR-LV	Cal Kit, Fixed, H2 50% LEL, 34L .....	325.00
81-F004RKS	Cal Kit, fixed, H2, 103L, gas bag .....	370.00
81-F004RKS-LV	Cal kit, fixed, 34L cyl 50% LEL Hydrogen in Air, disp valve, gas bag, screwdriver, case & tubing .....	220.00
81-F006RK	Cal kit, fixed, 103L steel cyl 50% LEL Propane in Air, reg with gauge & knob, cal cup, screwdriver, case & tubing .....	390.00
81-F006RK-LV	Cal kit, fixed, 34L cyl 50% LEL Propane in Air, reg with gauge & knob, cal cup, screwdriver, case & tubing .....	335.00
81-F006RKS10	Cal Kit, fixed, Propane 10% LEL, 103L, dem flow reg .....	580.00
81-F007RK	Cal kit, fixed, 103L steel cyl 1,000 ppm Hydrogen in Air, humidifier tube, reg with gauge & knob, cal cup, screwdriver, case & tubing .....	505.00
81-F007RK-LV	Cal kit, fixed, 34L cyl 1,000 ppm Hydrogen in Air, humidifier tube, reg with gauge & knob, cal cup, screwdriver, case & tubing .....	450.00
81-F007RK-LVNH	Cal Kit, fixed, 1000 PPM H2, 34L, no humidifier .....	325.00
81-F007RKS	Cal Kit, fixed, 1000 PPM H2, 103 ltr, dem flow reg .....	785.00
81-F007RKS-HLV	Cal Kit, fixed, 500 PPM Hex, 34L, gas bag, reg .....	430.00
81-F008RK-LV	Cal kit, fixed, 34L cyl 50% LEL Methane in Air, reg with gauge & knob, cal cup for GD-A8 / GD-A8V, screwdriver, case & tubing .....	355.00
81-F009RK-LV	Cal kit, fixed, 34L cyl 15% LEL Hexane in Air, reg with gauge & knob, cal cup for GD-A8 / GD-A8V, screwdriver, case & tubing .....	355.00
81-F010RK	Cal kit, fixed, 103L steel cyl 400 ppm Hexane in Air, reg with gauge & knob, cal cup for GD-A8 / GD-A8V, screwdriver, case & tubing .....	570.00
81-F010RK-LV	Cal kit, fixed, 34AL cyl 400 ppm Hexane in Air, humidifier tube, reg with gauge & knob, cal cup for GD-A8 / GD-A8V, screwdriver, case & tubing .....	610.00
81-F010RKS	Cal Kit, fixed, 2% H2 in Helium, 6LPM reg, bag, 103L .....	775.00
81-F011RK	Cal Kit, Diffusion, 400 PPM HEXANE, 103L .....	660.00
81-F011RK-LV	Cal kit, fixed, 34AL cyl 400 ppm Hexane in Air, humidifier tube, reg with gauge & knob, cal cup, screwdriver, case & tubing .....	550.00
81-F011RKS	Cal Kit, 400 PPM HEXANE, 103L, w/demand flow regulator .....	730.00
81-F011RKS-DLV	Cal Kit, 400 PPM HEXANE, 34L, w/demand flow regulator .....	620.00
81-F012RKS	Cal Kit, fixed, 2% H2 in Helium, 103L .....	770.00
81-F014RK-LV	Cal kit, fixed, 34L cyl 50% LEL Isobutane in Air, reg with gauge & knob, cal cup for GD-A8 / GD-A8V, screwdriver, case & tubing .....	355.00
81-F016RK	Cal kit, fixed, 103L steel cyl 50% LEL Isobutane in Air, reg with gauge & knob, cal cup, screwdriver, case & tubing .....	390.00
81-F016RK-LV	Cal kit, fixed, 34L cyl 50% LEL Isobutane in Air, reg with gauge & knob, cal cup, screwdriver, case & tubing .....	335.00
81-F016RK-LV-1	Cal Kit, fixed, 50% LEL IsoButane, 103L .....	390.00
81-F016RKS	Cal Kit, fixed, 50% LEL IsoButane, 103L, gas bag .....	365.00
81-F017RK-LV	Cal kit, fixed, 34L cyl 1,000 ppm Hydrogen in Air, 34L cyl Zero Air, humidifier, regulator, screwdriver, case & tubing .....	415.00
81-F018RK-LV	Cal kit, fixed, 17L cyl (8 liters gas at 120 psi) 10% LEL Isopropyl Alcohol in Air, reg with gauge & knob, cal cup, screwdriver, case and tubing .....	335.00

# Numerical Index

Part#	Description	Suggested Retail
81-F018RKS-LV	Cal kit, fixed, 17L cyl (8 liters gas at 120 psi) 10% LEL Isopropyl Alcohol in Air, dispensing valve, gas bag, screwdriver, case and tubing .....	265.00
81-F020RK	Cal kit, fixed, 103L steel cyl 50% LEL Methane in Air, reg with gauge & knob, cal cup for IR 3/4" NPT sensor, screwdriver, case & tubing .....	360.00
81-F020RK-LV	Cal kit, fixed, 34L cyl 50% LEL Methane in Air, reg with gauge & knob, cal cup for IR 3/4" NPT sensor, screwdriver, case & tubing .....	305.00
81-F020RKR-10	Cal Kit, fixed, LEL Methane, 103L, zero air, 103L, reg 1.0 LPM .....	495.00
81-F021RK	Cal Kit, fixed IR, LEL Propane, 103L .....	360.00
81-F021RK-10	Cal Kit, fixed IR, LEL propane, 103L .....	355.00
81-F021RK-LV	Cal kit, fixed, 34L cyl 50% LEL Propane in Air, reg with gauge & knob, cal cup for IR 3/4" NPT sensor, screwdriver, case & tubing .....	305.00
81-F021RK25	Cal Kit, fixed diffusion, 25% LEL Propane, 103 ltr .....	355.00
81-F021RK25-LV	Cal Kit, fixed IR, 25% LEL Propane, 34L .....	295.00
81-F022RK	Cal Kit, fixed IR, isobutane, 103L .....	360.00
81-F022RK-LV	Cal kit, fixed, 34L cyl 50% LEL Isobutane in Air, reg with gauge & knob, cal cup for IR 3/4" NPT sensor, screwdriver, case & tubing .....	305.00
81-F022RKR-10	Cal Kit, fixed isobutane/air, zero air .....	495.00
81-F024RK	Cal kit, fixed, 103L steel cyl 5,000 ppm Hydrogen in Air, reg with gauge & knob, cal cup, screwdriver, case & tubing .....	550.00
81-F025RK	Cal kit, fixed, 103L steel cyl 2,000 ppm Hydrogen in Air, humidifier tube assembly, reg with gauge & knob, cal cup, screwdriver, case & tubing .....	505.00
81-F025RK-LV	Cal kit, fixed, 34L cyl 2,000 ppm Hydrogen in Air, humidifier tube assembly, reg with gauge & knob, cal cup, screwdriver, case & tubing .....	455.00
81-F026RK	Cal kit, fixed, 103L steel cyl 500 ppm Hexane in Air, humidifier tube assembly, reg with gauge & knob, cal cup for GD-A8 / GD-A8V, screwdriver, case & tubing .....	570.00
81-F026RK-LV	Cal kit, fixed, 34L cyl 500 ppm Hexane in Air, humidifier tube assembly, reg with gauge & knob, cal cup for GD-A8 / GD-A8V, screwdriver, case & tubing .....	515.00
81-F027RKIR	Cal kit, fixed IR diffusion, 103L steel cyl 1,000 ppm Pentane in Air, reg with gauge & knob, cal cup for IR 3/4" NPT sensor, screwdriver, case & tubing .....	360.00
81-F028RK-LV	Cal Kit, fixed diffusion, 10% LEL IPA, 34L .....	325.00
81-F028RKIR-IPA	Cal kit, fixed, 17L cyl (8 liters of gas at 120 psig) 10% LEL Isopropyl Alcohol in Air, reg with gauge & knob, cal cup, screwdriver, case & tubing .....	305.00
81-F028RKS-DLV	Cal Kit, fixed IR, 10% LEL IPA, 17 ltr, dem flow reg .....	445.00
81-F028RKSH-DLV	Cal Kit, fixed sample draw, 10% LEL IPA, 34L with humidifier tube .....	555.00
81-F029RKIB-LV	Cal kit, fixed, 34L cyl 20% LEL Isobutane in Air, reg with gauge & knob, cal cup for GD-A8 / GD-A8V, screwdriver, case & tubing .....	390.00
81-F030RK-LV	Cal kit, fixed IR, 50 %volume Methane, 34L .....	305.00
81-F031RKIB-LV	Cal kit, fixed, 34L cyl 20% LEL Isobutane in Air, reg with gauge & knob, cal cup for IR 3/4" NPT sensor, screwdriver, case & tubing .....	295.00
81-F031RKSIB-LV	Calibration kit, fixed diffusion, 50% LEL Iso Butane/Air, 34L, w/sample bag .....	180.00
81-F032RK-LV	Cal kit, fixed, 34L cyl 500 ppm Isobutane in Air, humidifier tube assembly, reg with gauge & knob, cal cup for GD-A8 / GD-A8V, screwdriver, case & tubing .....	510.00
81-F034RK-LV	Cal kit, fixed, 34L cyl 15% LEL Hexane in Air, 34L cyl 100% zero air, reg with gauge & knob, case & tubing .....	390.00
81-F035RKS-DLV	Cal Kit, fixed, 1000 CH4, SD, 34L, dem flow reg .....	435.00
81-F038RK-LV	Cal kit, fixed, 17L cyl 40% LEL Hexane in Air, 34L cyl 100% zero air, reg with gauge & knob, case & tubing .....	380.00
81-F039RK-LV	Cal kit, fixed, 34L cyl 1000 ppm Hydrogen in Air, reg with gauge & knob, cal cup for GD-A8 / GD-A8V, screwdriver, case & tubing .....	515.00
81-F040RKS	Cal kit, fixed, 103L steel cyl 500 ppm H2 in Air, humidifier tube, demand flow regulator, screwdriver, case & tubing .....	580.00
81-F041RK-LV	Cal Kit, fixed, 1000 ppm H2/air, 34L, humidifier, 1/2 NPT cal cup .....	480.00
81-F042RK-LV	Cal Kit, GD-A8/GD-A8V, LEL methane, 34L .....	400.00
81-F044RK-LV	Cal Kit, fixed, 10% LEL IPA/air, 34L, regulator .....	435.00
81-F047RKS	Cal Kit, fixed, 50% LEL Propane 103L, Zero Air 103L, reg, gas bag .....	525.00
81-F048RKS	Cal Kit, fixed, 50% LEL CH4/Air, 103L, 5 %LEL CH4/air 103L, dem flow reg .....	605.00
81-F050RK-LV	Cal Kit, GD-A8/GD-A8V fixed, 40% LEL CH4, 34L .....	390.00
81-F055RK	Cal Kit, fixed, 10% LEL CH4 in Air, 103L, with humidifier .....	770.00
81-F056RK-DLV	Cal Kit, fixed, 1000 propane in air, SD, 34L, dem flow reg .....	565.00
81-F057RKS-LV	Cal Kit, fixed, 50 ppm isobutane, 34L, humidifier tube .....	330.00
81-F061RK-LV	Cal Kit, fixed, 50% LEL CH4/air 34L, 1/2 NPT cal cup, reg .....	350.00
81-F066RK-LV	Cal kit, fixed, 34L cyl 50% LEL Propane in Air, reg with gauge & knob, 1/2" NPT cal cup, screwdriver, case & tubing .....	300.00

# Numerical Index

Part#	Description	Suggested Retail
81-F068RK-LV	Cal Kit, fixed, isobutane 20% LEL/air 34L, cal cup, reg	335.00
81-F069RK-DLV	Cal Kit, fixed, IPA 1000 ppm/air 34L, dem flow reg, case & tubing	755.00
81-F070RK-LV	Cal Kit, fixed, CH4 5000 ppm, 34L	335.00
81-F075RK	Cal Kit, fixed, H2 50 ppm, 103L, H2 100 ppm 103L, humidifier, reg, case, tubing	660.00
81-F075RK-LV	Cal Kit, fixed, H2 50 ppm, 34L, H2 100 ppm 34L, humidifier, reg, case, tubing	510.00
81-F076RK	Cal Kit, fixed, CH4 50%LEL in REAL AIR, 103L, reg, cal cup, case, tubing	330.00
81-F077RK-LV	Cal kit, fixed, 500 ppm hydrogen, 34L, sample draw	340.00
81-F101RK	Cal Kit, fixed, H2S, 58AL	390.00
81-F101RK-LV	Cal kit, fixed, 34AL cyl 25 ppm Hydrogen Sulfide in N2, reg with gauge & knob, cal cup, screwdriver, case & tubing	410.00
81-F101RKS	Cal kit, fixed, 58AL cyl 25 ppm Hydrogen Sulfide in N2, demand flow reg, screwdriver, case & tubing	460.00
81-F102RK-LV	Cal kit, fixed, 34L cyl 25 ppm Hydrogen Sulfide in N2, reg with gauge & knob, GX-82/86 cal cup, screwdriver, case & tubing	415.00
81-F201RK	Cal kit, fixed, 103L steel cyl 100 ppm Carbon Monoxide in N2, reg with gauge & knob, cal cup, case & tubing	390.00
81-F201RK-LV	Cal kit, fixed, 34L cyl 100 ppm Carbon Monoxide in N2, reg with gauge & knob, cal cup, screwdriver, case & tubing	335.00
81-F201RK50-LV	Cal Kit, fixed, 50 ppm CO, 34L	325.00
81-F202RK-LV	Cal kit, fixed, 34L cyl 100 ppm Carbon Monoxide in N2, reg with gauge & knob, GX-82/86 cal cup, screwdriver, case & tubing	340.00
81-F203RK-LV	Cal kit, fixed, 34L cyl 50 ppm Carbon Monoxide in N2, reg with gauge & knob, cal cup, screwdriver, case & tubing	315.00
81-F204RK-LV	Cal kit, fixed, 34L cyl 200 ppm Carbon Monoxide in Air, reg with gauge & knob, cal cup, screwdriver, case & tubing	335.00
81-F301RK	Cal kit, fixed, 103L steel cyl Zero Air, 103L steel cyl 100% N2, reg with gauge & knob, cal cup, case & tubing	535.00
81-F301RK-LV	Cal kit, fixed, 34L cyl Zero Air, 34L 100% N2, reg with gauge & knob, cal cup, case & tubing	380.00
81-F301RKS-LV	Cal Kit, fixed sample draw, 100% N2 34L, zero air 34L	275.00
81-F302RK	Cal Kit, fixed, O2, 103L, N2 cyl only	385.00
81-F302RK-LV	Cal kit, fixed, 34L cyl 100% N2, reg with gauge & knob, cal cup, case & tubing	325.00
81-F302RKS-LV	Cal Kit, fixed, O2, 34L, N2 cyl, disp valve, gas bag	220.00
81-F303RK-LV	Cal kit, fixed, 34L cyl 2.0% Oxygen in N2, 34L cyl 100% N2, reg with gauge & knob, cal cup, case & tubing	370.00
81-F401RK-LV	Cal kit, fixed, RI-215A, 34L cyl 2.5% Carbon Dioxide in N2, reg with gauge & knob, case & tubing	340.00
81-F402RK-LV	Cal kit, fixed, RI-215A, 34L cyl 5,000 ppm Carbon Dioxide in N2, reg with gauge & knob, case & tubing	340.00
81-F402RKS-LV	Cal kit, fixed, RI-215D, 34L cyl 5,000 ppm Carbon Dioxide in N2, disp valve, gas bag, screwdriver, case & tubing	275.00
81-F403RK	Cal Kit, fixed, for 3/4" NPT detector, 2.5% CO2, 103L	505.00
81-F403RK-LV	Cal kit, fixed, 34L cyl 2.5% Carbon Dioxide in N2, 34L cyl 100% N2, reg with gauge & knob, cal cup for IR 3/4" NPT sensor, screwdriver, case & tubing	360.00
81-F404RK	Cal kit, fixed, 103L steel cyl 2,000 ppm Carbon Dioxide in N2, 34L cyl 100% N2, reg with gauge & knob, cal cup for IR 3/4" NPT sensor, case & tubing	510.00
81-F404RK-LV	Cal kit, fixed, 34L cyl 2,000 ppm Carbon Dioxide in N2, 34L cyl 100% N2, reg with gauge & knob, cal cup for IR 3/4" NPT sensor, case & tubing	360.00
81-F404RKS-DLV	Cal kit, fixed, 34L cyl 2,000 ppm Carbon Dioxide in N2, 34L cyl 100% N2, demand flow reg, screwdriver, case & tubing	500.00
81-F407RK02-LV	Cal kit, fixed for Direct Connect, non XP, 34L 2000 ppm Carbon Dioxide in N2, 34L cyl 100% N2, reg with gauge & knob, screwdriver, cal cup, case & tubing	390.00
81-F407RK03	Cal Kit, fixed, direct connect non xp, 2.5% CO2, 103L, 100% N2 103L	540.00
81-F407RK03-LV	Cal kit, fixed for Direct Connect, non XP, 34L 2.5% Carbon Dioxide in N2, 34L cyl 100% N2, reg with gauge & knob, screwdriver, case & tubing	390.00
81-F407RK05-LV	Cal Kit, fixed, direct connect non xp, 50% CO2, 34L	335.00
81-F408RK-LV	Cal kit, fixed, 34L cyl 15% Carbon Dioxide in N2, 34L cyl 100% N2, reg with gauge & knob, cal cup for IR 3/4" NPT sensor, case & tubing	360.00
81-F501RK	Cal kit, fixed, 58AL cyl 25 ppm Ammonia in N2, reg with gauge & knob, cal cup for super toxic GD-K8A (rim feed), screwdriver, case & tubing	535.00
81-F501RK-LV	Cal kit, fixed, 34AL cyl 25 ppm Ammonia in N2, reg with gauge & knob, cal cup for super toxic GD-K8A (rim feed), screwdriver, case & tubing	550.00
81-F501RK25-LV	Cal Kit, fixed, GD-K8A, NH3, 25 ppm, 34AL	445.00
81-F501RKS	Cal kit, fixed, GD-K7D2/GD-K77D/GD-K71D/GD-K70D, 58AL cyl 25 ppm Ammonia in N2, demand flow reg, screwdriver, case & tubing	665.00



# Numerical Index

Part#	Description	Suggested Retail
81-F501RKS-LV	Cal kit, fixed, GD-K7D2/GD-K77D/GD-K71D/GD-K70D, 58AL cyl 25 ppm Ammonia in N2, regulator, gas bag, screwdriver, case & tubing .....	540.00
81-F503RK	Cal kit, fixed, 58AL cyl 25 ppm Ammonia in N2, reg with gauge & knob, cal cup for ESM-01-NH3 sensor, screwdriver, case & tubing .....	580.00
81-F503RK-LV	Cal kit, fixed, 34AL cyl 25 ppm Ammonia in N2, reg with gauge & knob, cal cup for ESM-01-NH3 sensor, screwdriver, case & tubing .....	600.00
81-F503RK25	Cal Kit, fixed diffusion, 25 ppm NH3/N2, 58L, 0.25 LPM flow reg, with case and tubing .....	580.00
81-F504RK	Cal kit, fixed, 58AL cyl Ammonia 50 ppm in N2, reg with gauge & knob, cal cup for CT7 sensor, screwdriver, case & tubing .....	550.00
81-F504RK25	Cal kit, fixed, 58AL cyl Ammonia 25 ppm in N2, reg with gauge & knob, cal cup for CT7 sensor, screwdriver, case & tubing .....	525.00
81-F504RK25-LV	Cal kit, fixed, 34AL cyl Ammonia 25 ppm in N2, reg with gauge & knob, cal cup for CT7 sensor, screwdriver, case & tubing .....	570.00
81-F601RK	Cal kit, fixed, 58AL cyl 2 ppm Chlorine in N2, reg with gauge & knob, cal cup for super toxic GD-K8A (rim feed), screwdriver, case & tubing .....	575.00
81-F601RK-LV	Cal kit, fixed, 34AL cyl 2 ppm Chlorine in N2, reg with gauge & knob, cal cup for super toxic GD-K8A (rim feed), screwdriver, case & tubing .....	490.00
81-F601RKDS-LV5	Cal kit, fixed, 34AL cyl 5 ppm Chlorine in N2, demand flow reg, screwdriver, case & tubing .....	620.00
81-F601RKS	Cal kit, fixed, GD-K7D2/GD-K77D/GD-K71D/GD-K70D, 58AL cyl 2 ppm Chlorine in N2, demand flow reg, screwdriver, case & tubing .....	695.00
81-F601RKS-LV	Cal Kit, fixed, 2 ppm CL2, reg, 34AL .....	495.00
81-F603RK	Cal kit, fixed, 58AL cyl 2 ppm Chlorine in N2, reg with gauge & knob, cal cup for ESM-01-Cl2 sensor, screwdriver, case & tubing .....	620.00
81-F603RK-LV	Cal kit, fixed, 34AL cyl 2 ppm Chlorine in N2, reg with gauge & knob, cal cup for ESM-01-Cl2 sensor, screwdriver, case & tubing .....	540.00
81-F604RK-LV	Cal kit, fixed, 34AL cyl 2 ppm Chlorine in N2, 34L 100% N2, reg with gauge & knob, cal cup for super toxic GD-K8A (rim feed), screwdriver, gas bag, case & tubing (includes special dilution instructions for O3 calibration) .....	635.00
81-F605	Cal kit, fixed, 58AL cyl 2 ppm Chlorine in N2, reg with gauge & knob, cal cup, screwdriver, case & tubing .....	590.00
81-F605-LV	Cal kit, fixed, 34AL cyl 2 ppm Chlorine in N2, reg with gauge & knob, cal cup, screwdriver, case & tubing .....	510.00
81-F606	Cal kit, fixed, 58AL cyl 2 ppm Chlorine in N2, 103L 100% N2, dilution gas bag, reg with gauge & knob, cal cup for CT-7 style sensor, screwdriver, case & tubing .....	770.00
81-F701RK	Cal kit, fixed, 58AL cyl 5 ppm Sulfur Dioxide in N2, reg with gauge & knob, cal cup for super toxic GD-K8A (rim feed), screwdriver, case & tubing .....	395.00
81-F701RK-DLV	Cal kit, fixed, GD-K7D2/GD-K77D/GD-K71D/GD-K70D, 34AL cyl 5 ppm Sulfur Dioxide in N2, demand flow reg, screwdriver, case & tubing .....	490.00
81-F701RKS	Cal kit, fixed, GD-K7D2/GD-K77D/GD-K71D/GD-K70D, 58AL cyl 5 ppm Sulfur Dioxide in N2, demand flow reg, screwdriver, case & tubing .....	470.00
81-F702RK	Cal kit, fixed, 58AL cyl 5 ppm Sulfur Dioxide in N2, reg with gauge & knob, cal cup for ESM-01 toxic sensors (not for Cl2 or NH3), screwdriver, case & tubing .....	440.00
81-F702RK-LV	Cal kit, fixed, 34AL cyl 5 ppm Sulfur Dioxide in N2, reg with gauge & knob, cal cup for ESM-01 toxic sensors (not for Cl2 or NH3), screwdriver, case & tubing .....	460.00
81-F804RK	Cal kit, fixed, 58AL cyl 10 ppm Nitrogen Dioxide in Air, reg with gauge & knob, cal cup for super toxic GD-K8A (rim feed), screwdriver, case & tubing .....	535.00
81-F804RK-DLV	Cal Kit, fixed, NO2, SD, 34AL .....	615.00
81-F804RK-LV	Cal kit, fixed, 34AL cyl 10 ppm Nitrogen Dioxide in Air, reg with gauge & knob, cal cup for super toxic GD-K8A (rim feed), screwdriver, case & tubing .....	530.00
81-F804RKS-LV	Cal kit, fixed, 34AL cyl 2 ppm Nitrogen Dioxide in Air, high flow reg with gauge & knob, gas bag, screwdriver, case & tubing .....	535.00
81-F805RK-LV	Cal kit, fixed, 34AL cyl 0.5 ppm Phosphine in N2, reg with gauge & knob, cal cup, screwdriver, case & tubing .....	530.00
81-F806RK	Cal kit, fixed, 58AL cyl 10 ppm Hydrogen Cyanide in N2, reg with gauge & knob, cal cup for super toxic GD-K8A (rim feed), screwdriver, case & tubing .....	495.00
81-F806RKS	Cal kit, fixed, GD-K7D2/GD-K77D/GD-K71D/GD-K70D, 58AL cyl 10 ppm Hydrogen Cyanide in N2, demand flow reg, screwdriver, case & tubing .....	625.00
81-F806RKS-LV	Cal Kit, fixed, HCN, SD, 34AL .....	495.00
81-F807RKS	Cal kit, fixed, GD-K7D2/GD-K77D/GD-K71D/GD-K70D, 58AL cyl 5 ppm Hydrogen Chloride in N2, high flow reg with gauge & knob, gas bag, screwdriver, case & tubing .....	575.00
81-F807RKS-LV	Cal Kit, fixed, GD-K7D2-HCL, 34L .....	575.00
81-F808RKS-LV	Cal kit, fixed, GD-K7D2/GD-K77D/GD-K71D/GD-K70D, 34AL cyl 0.5 Phosphine in N2, 34L cyl 100% N2, two regs with gauge & knob, gas bag, screwdriver, case & tubing .....	715.00

# Numerical Index

Part#	Description	Suggested Retail
81-F809RK	Cal kit, fixed, 58AL cyl 5 ppm Silane in N2, reg with gauge & knob, cal cup for super toxic GD-K8A ( rim feed), screwdriver, case & tubing.....	500.00
81-F810RK-LV	Cal kit, fixed, 34AL cyl 25 ppm Nitric Oxide in N2, reg with gauge & knob, cal cup for super toxic GD-K8A (rim feed), screwdriver, case & tubing .....	530.00
81-F811RK	Cal kit, fixed, 58AL cyl 0.5 ppm Phosphine in N2, reg with gauge & knob, cal cup for ESM-01 toxic sensors (not for Cl2 or NH3), screwdriver, case & tubing .....	580.00
81-F811RK-LV	Cal kit, fixed, 34AL cyl 0.5 ppm Phosphine in N2, reg with gauge & knob, cal cup for ESM-01 toxic sensors (not for Cl2 or NH3), screwdriver, case & tubing .....	580.00
81-F813RK	Cal kit, fixed, 58AL cyl 10 ppm Hydrogen Cyanide in N2, reg with gauge & knob, cal cup for ESM-01 toxic sensors (not for Cl2 or NH3), screwdriver, case & tubing .....	695.00
81-F813RK-LV	Cal kit, fixed, 34AL cyl 10 ppm Hydrogen Cyanide in N2, reg with gauge & knob, cal cup for ESM-01 toxic sensors (not for Cl2 or NH3), screwdriver, case & tubing .....	540.00
81-F815RKS-DLV	Cal Kit, fixed, PH3/N2, dem flow reg, 34AL .....	620.00
81-F822RK	Cal kit, fixed, 58AL cyl 10 ppm Hydrogen Cyanide in N2, reg with gauge & knob, cal cup for CT 7 sensor, screwdriver, case & tubing .....	510.00
81-F901RK-LV	Cal kit, fixed, 34L cyl 50% LEL Methane in Air, 34L cyl 100% N2, reg with gauge & knob, cal cup, case & tubing .....	305.00
81-F904RK-LV	Cal kit, fixed, 34L cyl 50% LEL Methane in Air, 34L cyl 50 ppm Carbon Monoxide in Air, reg with gauge & knob, cal cup, screwdriver, case & tubing .....	305.00
81-F907RK	Cal kit, fixed, 103L steel cyl 50% LEL Methane in Air, 58AL cyl 25 ppm Hydrogen Sulfide in N2, reg with gauge & knob, cal cup, screwdriver, case & tubing .....	540.00
81-F907RK-LV	Cal kit, fixed, 34L cyl 50% LEL Methane in Air, 34AL cyl 25 ppm Hydrogen Sulfide in N2, reg with gauge & knob (34L), reg with gauge & knob (34AL), cal cup, screwdriver, case & tubing .....	590.00
81-F907RKIR-LV	Cal kit, fixed, IR, LEL CH4/H2S, 34L .....	605.00
81-F907RKS-LV	Cal kit, fixed, 34L cyl 50% LEL Methane in Air, 34AL cyl 25 ppm Hydrogen Sulfide in N2, dispensing valve, high flow reg with gauge & knob, gas bag, screwdriver, case & tubing .....	475.00
81-F908RKS	Cal Kit, fixed, LEL SO2/CO, 58/103L, dem reg .....	615.00
81-F920RK	Cal kit, fixed, 103L steel cyl 50 ppm Carbon Monoxide / 50% LEL Methane / 12% Oxygen in N2, 58AL cyl 25 ppm Hydrogen Sulfide in N2, reg with gauge & knob, cal cup, screwdriver, case & tubing ...	510.00
81-F920RK-LV	Cal kit, fixed, 34L cyl 50 ppm Carbon Monoxide / 50% LEL Methane / 12% Oxygen in N2, 34AL cyl 25 ppm Hydrogen Sulfide in N2, reg with gauge & knob (34L cyl), reg with gauge & knob (34AL cyl), cal cup, screwdriver, case & tubing .....	645.00
81-F924RK-LV	Cal kit, fixed, 34L cyl 50% LEL Hydrogen in Air, 34L cyl 100% N2, reg with gauge & knob, cal cup, screwdriver, case & tubing .....	390.00
81-F930RKIR-LV	Cal kit, fixed, IR, LEL CH4/H2S/CO, 34L .....	455.00
81-F931RK-LV	Cal kit, fixed, 34L cyl 50% LEL Isobutane in N2, 34L cyl 50 ppm Carbon Monoxide/50% LEL Methane/ 12% Oxygen in N2, reg with gauge & knob, cal cup, screwdriver, case & tubing .....	390.00
81-F931RKIR-LV	Cal kit, fixed, 34L cyl 50% LEL Isobutane / 50 ppm Carbon Monoxide / 25 ppm Hydrogen Sulfide/ 12% Oxygen in N2, reg with gauge & knob, IR cal cup, standard cal cup, screwdriver, case & tubing .....	455.00
81-F932RK-LV	Cal kit, fixed, 34L cyl 50% LEL Propane in Air, 34L cyl 50 ppm Carbon Monoxide in Air, reg with gauge & knob, cal cup, screwdriver, case & tubing .....	390.00
81-F933RK-LV	Cal kit, fixed, 34L cyl 50% LEL Propane in Air, 34L cyl 100 ppm Carbon Monoxide in Air, reg with gauge & knob, cal cup, screwdriver, case & tubing .....	390.00
81-F936RK-LV	Cal Kit, Diffusion, LEL/O2/H2S/CO, 34AL .....	440.00
81-F943RK-LV	Cal Kit, fixed, LEL/CO/OXY, w/100% N2, 34L .....	380.00
81-F944RK-LV	Cal kit, fixed, 34L cyl 2.5% Carbon Dioxide in N2, 34L cyl Compressed Air, 34L cyl 100% N2, reg with gauge & knob, cal cup for IR 3/4" NPT sensor, cal cup standard, case & tubing .....	395.00
81-F946RK-LV	Cal Kit, fixed, CO/NO, 34L .....	675.00
81-F947RK-DLV	Cal Kit, fixed, H2 50% LEL in Air, 34L, CO 50 ppm in Air, 34L, dem flow reg, case & tubing .....	480.00
81-F948RK-LV	Cal Kit, fixed, HEX/CO/O2, 34L .....	325.00
81-F949RK-LV	Cal Kit, fixed, Cl2/N2 34AL, CO2/N2 103L, N2 103L, 2 cal cups .....	900.00
81-F951RK-LV	Cal Kit, fixed, H2 50% LEL/air 34L, CO 50 ppm/Air 34L, reg, case, tubing .....	445.00
81-F953RK-LV	Cal Kit, fixed, CH4/CO/O2, 103L, H2S/N2 34AL, reg, cal cup .....	515.00
81-F956RKS-LV	Cal Kit, fixed, CH4 vol, 34L, H2S/N2, 34AL, sample bag, reg .....	410.00
81-F970RK-LV	Cal Kit, fixed, HEX/CO, 34L .....	380.00
81-F971RK	Cal Kit, fixed, LEL propane, 103L, zero air, 103L, LEL/CO/O2, 103L .....	745.00
81-F975RK-LV	Cal Kit, fixed, H2 50% LEL/air 34L, CO 50ppm/N2 34L, zero air 34L, reg, case, tubing .....	445.00
81-FMPS-CH4	Cal kit, fixed, MPS sensor, CH4 50% LEL in real air (CO2 0.04% / Ar 0.91% / O2 20.43% balance N2), 103 liter steel, regulator, screwdriver, case & tubing.....	395.00
81-GP01	Cal kit, GP-01, 103L steel cyl 50% LEL CH4/Air, reg with gauge & knob, cal cup, case & tubing .....	370.00
81-GP01-H2LV	Cal kit, GP-01, 34L cyl 50% LEL H2/Air, reg with gauge & knob, cal cup, case & tubing .....	315.00

# Numerical Index

Part#	Description	Suggested Retail
81-GP01-HLV	Cal kit, GP-01, 34L cyl 15% LEL Hexane/Air, reg with gauge & knob, cal cup, case & tubing	315.00
81-GP01-LV	Cal kit, GP-01, 34L cyl 50% LEL CH4/Air, reg with gauge & knob, cal cup, case & tubing	315.00
81-GP03	Cal kit, GP-03, 103L steel cyl 50% LEL CH4/Air, regulator, cal cup, case & tubing	370.00
81-GP03-HLV	Cal kit, GP-03, 34L cyl 50% LEL Hexane/Air, regulator, cal cup, case & tubing	310.00
81-GP03-LV	Cal kit, GP-03, 34L cyl 50% LEL CH4/Air, regulator, cal cup, case & tubing	310.00
81-GP03H2-LV	Cal kit, GP-03, 34L cyl 50% LEL Hydrogen/Air, regulator, cal cup, case & tubing	310.00
81-GP03IB-LV	Cal kit, GP-03, 34L cyl 50% LEL Isobutane/Air, regulator, cal cup, case & tubing	310.00
81-GP1000-DLV	Cal kit, GP-1000, 34AL 50% CH4 in air, dem flow reg, case & tubing	435.00
81-GP1000IBDLV	Cal kit, GP-1000, 34AL 50% isobutane in air, dem flow reg, case & tubing	435.00
81-GP204	Cal kit, GP-204, 34L cyl CH4/Air, reg with gauge & knob, screwdriver, case & tubing	290.00
81-GP204-ISO	Cal kit, GP-204, 34L cyl 50% LEL isobutane/Air, reg with gauge & knob, screwdriver, case & tubing	290.00
81-GP204PRO-LV	Cal Kit,GP-204,PROPANE,50% LEL,34L	290.00
81-GP226	Cal kit, GP-226, 34L cyl 20% LEL isobutane/Air, disp valve, gas bag, screwdriver, case & tubing	220.00
81-GT51-DLV	Cal kit, Gas Tracer, 34L cyl 500 ppm CH4/Air, humidifier tube, dem flow reg, case & tubing	555.00
81-GT64-DLV	Cal kit, Gas Tracer, 34L cyl 500 ppm CH4/Air, 34L CO/CH4/O2, humidifier tube, dem flow reg, case & tubing	610.00
81-GT69	Cal kit, Gas Tracer, 103L steel cyl 500 ppm CH4/Air, 58L steel 100% vol CH4, 103L steel CO/CH4/O2, humidifier tube, dem flow reg, case & tubing	1,060.00
81-GW2C-LV	Cal kit, GW2, 34L cyl CO / N2, reg with gauge & knob, cal cup, case & tubing	315.00
81-GW2H	Cal Kit,GasWatch 2,H2S,58AL	360.00
81-GW2H-LV	Cal kit, GW2, 34AL cyl H2S/N2,reg with gauge & knob, cal cup, case & tubing	390.00
81-GW2X-LV	Cal kit, GW2, 34L cyl 100% N2, reg with gauge & knob, cal cup, case & tubing	315.00
81-GW3CO	Cal kit, GasWatch 3, CO 50 ppm / N2, 103L steel cyl, regulator, cal cup, case & tubing	365.00
81-GW3CO-LV	Cal kit, GasWatch 3, CO 50 ppm / N2, 34L cyl, regulator, cal cup, case & tubing	305.00
81-GW3COH-LV	Cal kit, GasWatch 3, CO 50 ppm / N2, 34L, H2 200 ppm / air, 34L, regulator, cal cup, case & tubing	325.00
81-GW3HS	Cal kit, GasWatch 3, H2S 25 ppm / N2, 58AL cyl, regulator, cal cup, case & tubing	365.00
81-GW3HS-LV	Cal kit, GasWatch 3, H2S 25 ppm / N2, 34AL cyl, regulator, cal cup, case & tubing	380.00
81-GW3OX	Cal kit, GasWatch 3, N2 100%, 103L steel cyl, regulator, cal cup, case & tubing	360.00
81-GW3OX-LV	Cal kit, GasWatch 3, N2 100%, 34L cyl, regulator, cal cup, case & tubing	305.00
81-GX01CO	Cal kit, GX-2001/GX-2009, 103L steel cyl Methane/CO/O2, reg with gauge & knob, cal cap, case & tubing	355.00
81-GX01CO-LV	Cal kit, GX-2001/GX-2009, 34L cyl Methane/CO/O2, reg with gauge & knob, cal cap, case & tubing	300.00
81-GX01HCOIB-LV	Cal kit, GX-2001/GX-2009, 34AL cyl Isobutane/H2S/CO/O2, reg with gauge & knob, cal cap, case & tubing	405.00
81-GX01HSCO	Cal kit, GX-2001/GX-2009, 58AL cyl Methane/H2S/CO/O2, reg with gauge & knob, cal cap, case & tubing	395.00
81-GX01HSCO-LV	Cal kit, GX-2001/GX-2009, 34AL cyl Methane/H2S/CO/O2, reg with gauge & knob, cal cap, case & tubing	405.00
81-GX01HSO2-LV	Cal kit, GX-2001/GX-2009, 34AL cyl H2S/N2, reg with gauge & knob, cal cap, case & tubing	285.00
81-GX01HXCO-LV	Cal kit, GX-2001/GX-2009, 34L cyl Hexane/O2/H2S/CO/N2, reg with gauge & knob, cal cap, case & tubing	405.00
81-GX01IB-LV	Cal kit, GX-2001/GX-2009, 34L cyl Isobutane/air, 34L cyl 100% N2, reg with gauge & knob, cal cap, case & tubing	355.00
81-GX03CO	Cal kit, GX-2003/GX-2012, 103L steel cyl CO/CH4/O2 in N2, dem flow reg, case & tubing	455.00
81-GX03CO-DLV	Cal kit, GX-2003/GX-2012, 34L cyl CO/CH4/O2, dem flow reg, case & tubing	435.00
81-GX03CO-LV	Cal kit, GX-2003/GX-2012, 34L cyl CO/CH4/O2 in N2, dispensing valve, gas bag, case & tubing	210.00
81-GX03HSCO	Cal kit, GX-2003/GX-2012, 58AL cyl H2S (25 ppm)/CO/CH4/O2, dem flow reg, case & tubing	495.00
81-GX03HSCO-DLV	Cal kit, GX-2003/GX-2012, 34AL cyl H2S (25 ppm)/CO/CH4/O2, dem flow reg, case & tubing	500.00
81-GX03HSCO-LV	Cal kit, GX-2003/GX-2012, 34AL cyl H2S (25 ppm)/CO/CH4/O2, reg with gauge & knob, gas bag, case & tubing	415.00
81-GX03IB20-DLV	Cal kit,GX-2003,20% LEL isoButane,34 liter,dem flow reg	410.00
81-GX03PRO-DLV	Cal kit,GX-2003,LEL Propane in air 34L,demand flow regulator	410.00
81-GX03VCO	Cal kit,Gx-2003,103 liter 3-gas/58 liter 100% volume CH4	605.00
81-GX03VCO-DLV	Cal kit, GX-2003/GX-2012, 34L cyl CO/CH4/O2, 58L 100% vol CH4, dem flow reg, case & tubing	605.00
81-GX03VHSCO	Cal kit, GX-2003/GX-2012, 58AL cyl H2S (25 ppm)/CO/CH4/O2, 58L 100% vol. CH4, dem flow reg, case & tubing	645.00
81-GX03VHSCO-DLV	Cal kit,Gx-2003,34 liter 4-gas/34 liter 100% volume CH4	535.00
81-GX03VHSCO-LV	Cal kit, GX-2003/GX-2012, 34AL cyl H2S (25 ppm)/CO/CH4/O2, 58L cyl 100% vol. CH4, reg with gauge & knob, disp valve, gas bag, case & tubing	565.00
81-GX03VHSCODLV	Cal kit, GX-2003/GX-2012, 34AL cyl H2S (25 ppm)/CO/CH4/O2, 58L cyl 100% vol. CH4, 1 dem flow reg, case & tubing	650.00
81-GX09CONO2	Cal kit, GX-2009 MSHA, 58AL cyl Methane/NO2/CO/O2, reg with gauge & knob, cal cap, case & tubing	580.00
81-GX09CONO2-LV	Cal kit, GX-2009 MSHA, 34AL cyl Methane/NO2/CO/O2, reg with gauge & knob, cal cap, case & tubing	475.00
81-GX12VCO-DLV	Cal kit, GX-2012, 34L cyl CO/CH4/O2, 34L 50% vol CH4, dem flow reg, case & tubing	490.00
81-GX3RCO	Cal kit, GX-3R or GX-3R Pro, 103L steel cyl CO 50 ppm / CH4 50% LEL / O2 12% in N2, regulator 0.25 LPM, case & tubing	340.00

# Numerical Index

Part#	Description	Suggested Retail
81-GX3RCO-LV	Cal kit, GX-3R or GX-3R Pro, 34L cyl CO 50 ppm / CH4 50% LEL / O2 12% in N2, regulator 0.25 LPM, case & tubing	280.00
81-GX3RHSCO	Cal kit, GX-3R or GX-3R Pro, 58AL cyl H2S 25 ppm / CO 50 ppm / CH4 50% LEL / O2 12% in N2, regulator 0.25 LPM, case & tubing	380.00
81-GX3RHSCO-06	Response check kit, GX-3R/GX-3R Pro, HS/CO/CH4/O2, 11AL aerosol	145.00
81-GX3RHSCO-116	Cal kit, GX-3R or GX-3R Pro, 116AL cyl H2S 25 ppm / CO 50 ppm / CH4 50% LEL / O2 12% in N2, regulator 0.25 LPM, case & tubing	510.00
81-GX3RHSCO-LV	Cal kit, GX-3R or GX-3R Pro, 34AL cyl H2S 25 ppm / CO 50 ppm / CH4 50% LEL / O2 12% in N2, regulator 0.25 LPM, case & tubing	385.00
81-GX3RHSCOP-LV	Cal kit, GX-3R or GX-3R Pro, 34AL cyl H2S 25 ppm / CO 50 ppm / Propane 50% LEL / O2 12% in N2, regulator 0.25 LPM, case & tubing	405.00
81-GX3RO2	Cal Kit, GX-3R/GX-3R Pro, O2	340.00
81-GX3RO2H2-LV	Cal kit, GX-3R or GX-3R Pro, 34L steel cyl H2 50% LEL in air, 34L steel cyl N2 100%, regulator with .25 LPM, case & tubing	335.00
81-GX8000IB	Cal kit, GX-8000, H2S/CO/LEL isobutane/Oxy, dem flow reg, 58AL	595.00
81-GX8000IB-LV	Cal kit, GX-8000, H2S/CO/LEL isobutane/Oxy, w/gas bag, 34 liter	410.00
81-HS01-LV	Cal kit, HS-01, 34AL cyl 25 ppm H2S/N2, reg with gauge & knob, cal cup, case & tubing	390.00
81-HS03	Cal kit, HS-03, 58AL cyl 25 ppm H2S/N2, regulator, cal cup, case & tubing	370.00
81-HS03-LV	Cal kit, HS-03, 34AL cyl 25 ppm H2S/N2, regulator, cal cup, case & tubing	385.00
81-HS03NG-LV	Cal kit, HS-03, no gas, fits two 34AL cylinders, regulator, cal cup, case & tubing	255.00
81-HS04-LV	Cal kit, HS-04, 34AL cyl H2S 25 ppm in N2, regulator, cal cup, case & tubing	475.00
81-NC1000-DLV	Cal kit, NC-1000, 34AL isobutane 500 ppm in air, dem flow reg, case & tubing	435.00
81-NP204	Cal kit, NP-204, 34L cyl 50% LEL CH4/Air, 34L cyl 50% vol CH4/N2, reg with gauge & knob, screwdriver, case & tubing	345.00
81-OX01-LV	Cal kit, OX-01, 34L cyl 100% N2, reg with gauge and knob, cal cup, case & tubing	315.00
81-OX03	Cal kit, OX-03, 103L steel cyl 100% N2, regulator, cal cup, case & tubing	370.00
81-OX03-LV	Cal kit, OX-03, 34L cyl 100% N2, regulator, cal cup, case & tubing	310.00
81-OX07-LV	Cal kit, OX-07, 34L cyl 100% N2, reg with gauge & knob, cal cup, case & tubing	380.00
81-OX07NG-LV	Cal kit, OX-01, with no gas, reg with gauge & knob, cal cup, case & tubing	325.00
81-OX1	Cal kit, OX-1, 34L cyl 100% N2, reg with gauge & knob, screwdriver, case & tubing	290.00
81-OX226	Cal kit, OX-226, 34L cyl 100% N2, reg with gauge & knob, screwdriver, case & tubing	220.00
81-OX500-LV	Cal Kit, fixed for OX-500, 100% N2, reg with gauge & knob, cal cup, case & tubing	280.00
81-OX600-LV	Cal Kit, fixed for OX-600, N2 100% 34L, regulator, cal cup, case & tubing	325.00
81-PAA	Cal kit, GX-3R Pro, 58AL cyl H2S 25 ppm / CO 50 ppm / CH4 50% LEL / O2 12% in N2, 103L steel cyl 5,000 ppm CO2 in N2, regulator 0.25 LPM, case & tubing	530.00
81-PAB	Cal kit, GX-3R Pro, 58AL cyl H2S 25 ppm / CO 50 ppm / CH4 50% LEL / O2 12% in N2, 103L steel cyl 2.5% vol CO2 in N2, regulator 0.25 LPM, case & tubing	530.00
81-PAB-LV	Cal kit, GX-3R Pro, 34AL cyl H2S 25 ppm / CO 50 ppm / CH4 50% LEL / O2 12% in N2, 34L cyl 2.5% vol CO2 in N2, two regulators 0.25 LPM, case & tubing	490.00
81-PAC	Cal kit, GX-3R Pro, 58AL cyl SO2 5 ppm / H2S 25 ppm / CO 50 ppm / CH4 50% LEL / O2 12% in N2, regulator 0.25 LPM, case & tubing	470.00
81-PAC-LV	Cal kit, GX-3R Pro, 34AL cyl SO2 5 ppm / H2S 25 ppm / CO 50 ppm / CH4 50% LEL / O2 12% in N2, regulator 0.25 LPM, case & tubing	425.00
81-PAE-LV	Cal kit, GX-3R Pro, 34AL cyl H2S 25 ppm / CO 50 ppm / CH4 50% LEL / O2 12% in N2, 34AL cyl 10 ppm HCN in N2, regulator 0.25 LPM, case & tubing	620.00
81-PAX-IBLV	Cal kit, GX-3R Pro, 34AL cyl H2S 25 ppm/CO 50 ppm/isobutane 50% LEL/O2 12% in N2, regulator with .25 LPM, case & tubing	385.00
81-PCX-LV	Cal kit, GX-3R Pro, 34AL cyl H2S 25 ppm / CO 50 ppm / CH4 50% LEL / O2 12% in N2, 103L cyl H2 2000 ppm in air, regulator 0.25 LPM, case & tubing	500.00
81-PED-LV	Cal kit, GX-3R Pro, 34AL cyl NO2 10 ppm/CO 50 ppm/O2 12% in N2 (7 month shelf life), regulator with .25 LPM, case & tubing	445.00
81-PEG-LV	Cal kit, GX-3R Pro, 34L cyl 50% LEL CH4/CO 50 ppm/O2 12% in N2, 34AL 25 ppm NH3 in N2, regulator with .25 LPM, case & tubing	560.00
81-PPA	Cal kit, GX-3R Pro, 103L steel cyl 5,000 ppm CO2 in N2, regulator 0.25 LPM, case & tubing	340.00
81-PPA-LV	Cal kit, GX-3R Pro, 34L cyl 5,000 ppm CO2 in N2, regulator 0.25 LPM, case & tubing	280.00
81-PS225H2-LV	Cal kit, 34L cyl 10% LEL (4,000 ppm) Hydrogen in Air, 34L cyl 25% LEL Hydrogen in Air, reg with gauge & knob, cal cup for PS 2, screwdriver, case & tubing	350.00
81-PS2CH4	Cal kit, 34L cyl 10% LEL Methane in Air, 34L cyl 25% LEL Methane in Air, reg with gauge & knob, cal cup for PS 2, screwdriver, case & tubing	350.00
81-PS2ETH-LV	Cal Kit, PS2 Ethanol, 2000/4000 ppm Hydrogen, 34L	350.00

# Numerical Index

Part#	Description	Suggested Retail
81-PS2H2	Cal kit, 103L steel cyl 10% LEL (4,000 ppm) Hydrogen in Air, 103L steel cyl 30% LEL Hydrogen in Air, reg with gauge & knob, cal cup for PS 2, screwdriver, case & tubing .....	500.00
81-PS2H2-LV	Cal kit, 34L cyl 10% LEL (4,000 ppm) Hydrogen in Air, 34L cyl 30% LEL Hydrogen in Air, reg with gauge & knob, cal cup for PS 2, screwdriver, case & tubing .....	350.00
81-PS2H2530-LV	Cal Kit,PS2,5%/30% LEL Hydrogen,34L .....	350.00
81-PS2PR	Cal kit, 103L steel cyl 10% LEL Propane in air, 103L steel cyl 30% LEL Propane in air, reg with gauge & knob, cal cup for PS-2, screwdriver, case & tubing.....	500.00
81-PS2PR-LV	Cal Kit,PS2,10%/25% LEL Propane,34L .....	340.00
81-PXB	Cal kit, GX-3R Pro, 103L steel cyl 10% CO2 in N2, regulator 0.25 LPM, case & tubing .....	340.00
81-RI413R12	Cal kit, RI-413, 17L cyl 2,000 ppm R-12/Air, disp valve, gas bag, screwdriver, case & tubing .....	265.00
81-RI413R134	Cal kit, RI-413, 34L cyl 2,000 ppm R-134A/Air, disp valve, gas bag, screwdriver, case & tubing .....	315.00
81-RI415CH4	Cal kit, RI-415/RX-8000, 34L cyl 50% LEL CH4/Air, 34L cyl 50% vol CH4/Air, disp valve, gas bag, two gas bags, case & tubing .....	330.00
81-RI415CH4-03	Cal Kit,RI-415,CH4,dem flow reg, 103L .....	605.00
81-RI415HC	Cal kit, RI-415/RX-8000, 34L cyl 50% LEL isobutane/Air, 17L cyl 10% vol isobutane/N2, disp valve, two gas bags, case & tubing .....	320.00
81-RI60002K-LV	Cal kit, RI-600, CO2 2,000 ppm in N2, 34L cyl, N2 100%, 34L cyl, cal cup, regulator, case & tubing .....	380.00
81-RI60005K-LV	Cal kit, RI-600, CO2 5,000 ppm in N2, 34L cyl, N2 100%, 34L cyl, cal cup, regulator, case & tubing .....	365.00
81-RI60050K-LV	Cal kit, RI-600, CO2 2.5% in N2, 34L cyl, N2 100%, 34L cyl, cal cup, regulator, case & tubing .....	380.00
81-RI85	Cal kit, RI-85, 34L cyl 5,000 ppm CO2/N2, 34L cyl 100% N2, disp valve, gas bag, case & tubing .....	265.00
81-RI85-05	Cal kit, RI-85, 34L cyl 2.5% CO2/N2, 34L cyl 100% N2, disp valve, gas bag, case & tubing .....	265.00
81-RI85NG-LV	Cal kit, RI-85, no gas, fits two 34AL cylinders, dispensing valve, gas bag, case & tubing .....	155.00
81-RX415CH4	Cal kit, RX-415/RX-8000, 34L cyl 50% LEL CH4/Air, 34L cyl 50% vol CH4/Air, 34L cyl 100% N2, disp valve, 3 gas bags, case & tubing.....	410.00
81-RX415CH4-03	Cal kit,RX-415,CH4,dem flow reg, 103 liter .....	940.00
81-RX415HC	Cal kit, RX-415/RX-8000, 34L cyl 50% LEL isobutane/Air, 17L cyl 10% vol isobutane/Air, 34L cyl 100% N2, disp valve, three gas bags, case & tubing .....	400.00
81-RX415HCD	Cal kit, RX-415/RX-8000, 34L cyl 50% LEL isobutane/Air, 34L cyl 10% vol isobutane/Air, 34L cyl 100% N2, dem flow reg, case & tubing .....	535.00
81-RX515	Cal kit, RX-515, 34AL cyl 50% vol CH4 in N2, 103L steel cyl 15% CO2 in N2, 103L steel cyl CO/CH4/O2, dem flow reg, case & tubing .....	815.00
81-RX515-LV	Cal kit, RX-515, 34L cyl 10% vol CH4 in N2, 34L cyl 50% LEL CH4 in Air, 34L cyl 100 ppm CO in N2, 34L cyl 15% CO2 in N2, dispensing valve, three gas bags, case & tubing .....	620.00
81-RX516-LV	Cal kit, RX-516, 17L cyl 10% vol isobutane in N2, 34AL cyl 50 ppm H2S/50% LEL isobutane in N2, reg with gauge & knob, disp valve, two gas bags, case & tubing.....	540.00
81-RX517-DLV	Cal kit, RX-517, 34L cyl 50 ppm H2S/50% LEL isobutane in N2, 17L cyl 10% vol isobutane/N2, two demand flow regs, case & tubing .....	855.00
81-RX517-LV	Cal kit, RX-517, 34L cyl 50 ppm H2S/50% LEL isobutane in N2, 17L cyl 10% vol isobutane/N2, disp valve, 6 LPM regulator, two gas bags, case & tubing .....	540.00
81-RX517RK	Cal kit, RX-517, 58AL cyl 50 ppm H2S/50% LEL isobutane in N2, 17L cyl 10% vol isobutane in N2, two demand flow regulators, case & tubing .....	890.00
81-RX517RKNG	Cal kit, RX-517, two dem flow regs, screwdriver, case for 58AL / 103L steel cylinders & tubing (No Gas) ...	625.00
81-SC01ASH3	Cal kit, SC-01, 58AL cyl 0.5 ppm PH3/N2, reg with gauge & knob, cal cup, case & tubing .....	600.00
81-SC01ASH3-LV	Cal kit, SC-01, 34AL cyl 0.5 ppm PH3/N2, reg with gauge & knob, cal cup, case & tubing .....	600.00
81-SC01CL2	Cal kit, SC-01, 58AL cyl 2 ppm Cl2/N2, reg with gauge & knob, cal cup, case & tubing .....	640.00
81-SC01CL2-LV	Cal kit, SC-01, 34AL cyl 2 ppm Cl2/N2, reg with gauge & knob, cal cup, case & tubing .....	560.00
81-SC01CO	Cal kit, SC-01, 103L steel cyl 50 ppm CO/N2, reg with gauge & knob, cal cup, case & tubing .....	435.00
81-SC01CO-LV	Cal kit, SC-01, 34L cyl 50 ppm CO/N2, reg with gauge & knob, cal cup, case & tubing .....	345.00
81-SC01H2S	Cal kit, SC-01, 58AL cyl 25 ppm H2S/N2, reg with gauge & knob, cal cup, case & tubing .....	440.00
81-SC01H2S-LV	Cal kit, SC-01, 34AL cyl 25 ppm H2S/N2, reg with gauge & knob, cal cup, case & tubing .....	455.00
81-SC01HCN	Cal kit, SC-01, 58AL cyl 10 ppm HCN/N2, reg with gauge & knob, cal cup, case & tubing .....	560.00
81-SC01HCN-LV	Cal kit, SC-01, 34AL cyl 10 ppm HCN/N2, reg with gauge & knob, cal cup, case & tubing .....	560.00
81-SC01NH3	Cal kit, SC-01, 58AL cyl 25 ppm NH3/N2, reg with gauge & knob, cal cup, case & tubing .....	600.00
81-SC01NH3-LV	Cal kit, SC-01, 34AL cyl 25 ppm NH3/N2, reg with gauge & knob, cal cup, case & tubing .....	620.00
81-SC01PH3-LV	Cal kit, SC-01, 34AL cyl 0.5 ppm PH3/N2, reg with gauge & knob, cal cup, case & tubing .....	600.00
81-SC01SO2	Cal kit, SC-01, 58AL cyl 5 ppm SO2/N2, reg with gauge & knob, cal cup, case & tubing.....	460.00
81-SC01SO2-LV	Cal kit, SC-01, 34AL cyl 5 ppm SO2/N2, reg with gauge & knob, cal cup, case & tubing.....	465.00
81-SC04CL2-LV	Cal kit, SC-04, 34AL cyl CL2 2 ppm in N2, regulator, cal cup, case & tubing.....	490.00
81-SC04HCN-LV	Cal kit, SC-04, 34AL cyl HCN 10 ppm in N2, regulator, cal cup, case & tubing .....	490.00
81-SC04NH3-LV	Cal kit, SC-04, 34AL cyl NH3 25 ppm in N2, regulator, cal cup, case & tubing .....	550.00
81-SC04NO2-LV	Cal kit, SC-04, 34AL cyl NO2 10 ppm in N2, regulator, cal cup, case & tubing .....	530.00

# Numerical Index

<b>Part#</b>	<b>Description</b>	<b>Suggested Retail</b>
81-SC04PH3-LV	Cal kit, SC-04, 34AL cyl PH3 0.5 ppm in N2, regulator, cal cup, case & tubing .....	530.00
81-SC04SO2-LV	Cal kit, SC-04, 34AL cyl SO2 5 ppm in N2, regulator, cal cup, case & tubing .....	395.00
81-SC8000-H2O2	Cal Kit,SC-8000 for H2O2, PH3 0.5 ppm in N2,34AL,N2 100%,103L steel,reg,bag,case .....	640.00
81-SD-1GH-EDC-1	Cal Kit,SD-1GH, 1000 ppm CH4/Air 34L, reg, cal cup, case & tubing .....	505.00
81-SD-1GH-H22K	Cal Kit, fixed for SD-1GP, 2000 ppm H2/Air 34L, reg, cal cup, case & tubing .....	520.00
81-SD-1GP-CH4LV	Cal Kit, fixed for SD-1GP, 50% LEL CH4/Air 34L, reg, cal cup, case & tubing.....	400.00
81-SD-1GP-H2LV	Cal Kit, fixed for SD-1GP, 50% LEL H2/Air 34L, reg, cal cup, case & tubing .....	400.00
81-SD-1GP-LPGV	Cal Kit,SD-1GH, Propane 50% LEL/Air 34L, reg, cal cup, case & tubing .....	400.00
81-SD-1RI-IBLV	Cal Kit, fixed for SD-1GP, 50% LEL isobutane/Air 34L, reg, cal cup, case & tubing .....	400.00
81-SD1GPH2CO-LV	Cal Kit, fixed for SD-1GP, 50% LEL H2 in Air 34L, for SD-1EC, 50 ppm CO in Air 34L, reg, 2 cal cups, case & tubing .....	835.00
81-SDM03	Single point calibration station for 03 Series, model SDM-03 with AC Adaptor .....	1,270.00
81-SDM03-01	Single point calibration station for 03 Series, model SDM-03 with AC Adaptor, flash drive, USB cable, & tubing .....	1,280.00
81-SDM03-02	Single point calibration station for 03 Series, model SDM-03 with AC Adaptor, flash drive, USB cable, tubing, & demand flow regulator .....	1,520.00
81-SDM03-03-CO	Single point calibration station for 03 Series, model SDM-03 with AC Adaptor, flash drive, USB cable, tubing, demand flow regulator & 103L steel cyl 50 ppm CO/N2 .....	1,670.00
81-SDM03-03-GP	Single point calibration station for 03 Series, model SDM-03 with AC Adaptor, flash drive, USB cable, tubing, demand flow regulator & 103L steel cyl 50% LEL CH4/Air .....	1,735.00
81-SDM03-03-HS	Single point calibration station for 03 Series, model SDM-03 with AC Adaptor, flash drive, USB cable, tubing, demand flow regulator & 58AL cyl 25 ppm H2S/N2 .....	1,735.00
81-SDM03-03-OX	Single point calibration station for 03 Series, model SDM-03 with AC Adaptor, flash drive, USB cable, tubing, demand flow regulator & 103L steel cyl 100% N2 .....	1,735.00
81-SDM03-06-CO	Single point calibration station for 03 Series, model SDM-03 with AC Adaptor, flash drive, USB cable, tubing, demand flow regulator & 34L cyl 50 ppm CO/N2 .....	1,615.00
81-SDM03-06-GP	Single point calibration station for 03 Series, model SDM-03 with AC Adaptor, flash drive, USB cable, tubing, demand flow regulator & 34L cyl 50% LEL CH4/Air .....	1,615.00
81-SDM03-06-HS	Single point calibration station for 03 Series, model SDM-03 with AC Adaptor, flash drive, USB cable, tubing, demand flow regulator & 34AL cyl 25 ppm H2S/N2 .....	1,715.00
81-SDM03-06-OX	Single point calibration station for 03 Series, model SDM-03 with AC Adaptor, flash drive, USB cable, tubing, demand flow regulator & 34L cyl 100% N2 .....	1,615.00
81-SDM03-11	Single point calibration station for 03 Series, model SDM-03 without AC Adaptor, flash drive, USB cable, & tubing .....	1,260.00
81-SDM03-12	Single point calibration station for 03 Series, model SDM-03 without AC Adaptor, flash drive, USB cable, tubing, & demand flow regulator .....	1,605.00
81-SDM03-13-CO	Single point calibration station for 03 Series, model SDM-03 without AC Adaptor, flash drive, USB cable, tubing, demand flow regulator & 103L steel cyl 50 ppm CO/N2 .....	1,650.00
81-SDM03-13-GP	Single point calibration station for 03 Series, model SDM-03 without AC Adaptor, flash drive, USB cable, tubing, demand flow regulator & 103L steel cyl 50% LEL CH4/Air .....	1,755.00
81-SDM03-13-HS	Single point calibration station for 03 Series, model SDM-03 without AC Adaptor, flash drive, USB cable, tubing, demand flow regulator & 58AL cyl 25 ppm H2S/N2 .....	1,755.00
81-SDM03-13-OX	Single point calibration station for 03 Series, model SDM-03 without AC Adaptor, flash drive, USB cable, tubing, demand flow regulator & 103L steel cyl 100% N2 .....	1,755.00
81-SDM03-16-CO	Single point calibration station for 03 Series, model SDM-03 without AC Adaptor, flash drive, USB cable, tubing, demand flow regulator & 34AL cyl 50 ppm CO/N2 .....	1,595.00
81-SDM03-16-GP	Single point calibration station for 03 Series, model SDM-03 without AC Adaptor, flash drive, USB cable, tubing, demand flow regulator & 34AL cyl 50% LEL CH4/Air.....	1,595.00
81-SDM03-16-HS	Single point calibration station for 03 Series, model SDM-03 without AC Adaptor, flash drive, USB cable, tubing, demand flow regulator & 34AL cyl 25 ppm H2S/N2 .....	1,715.00
81-SDM03-16-OX	Single point calibration station for 03 Series, model SDM-03 without AC Adaptor, flash drive, USB cable, tubing, demand flow regulator & 34AL cyl 100% N2 .....	1,595.00
81-SDM03-ACC	Standard accessories for SDM-03 calibration station .....	68.00
81-SDM2009	SDM-2009 calibration station w/AC adaptor .....	1,290.00
81-SDM2009-01	Single point calibration station for GX-2009, model SDM-2009 with AC Adaptor, flash drive, USB cable, & tubing .....	1,300.00
81-SDM2009-02	Single point calibration station for GX-2009, model SDM-2009 with AC Adaptor, flash drive, USB cable, tubing, & demand flow regulator .....	1,540.00
81-SDM2009-03	Single point calibration station for GX-2009, model SDM-2009 with AC Adaptor, flash drive, USB cable, tubing, demand flow regulator & 58AL cyl H2S (25 ppm)/CO/CH4/O2 .....	1,730.00

# Numerical Index

Part#	Description	Suggested Retail
81-SDM2009-06	Single point calibration station for GX-2009, model SDM-2009 with AC Adaptor, flash drive, USB cable, tubing, demand flow regulator & 34AL cyl H2S (25 ppm)/CO/CH4/O2 .....	1,700.00
81-SDM2009-11	SDM-2009 calibration station,Flash Drive,USB Cable,Tubing,wall chart, w/o AC Adapter .....	1,280.00
81-SDM2009-12	SDM-2009 calibration station,Flash Drive,USB cable,tubing,wall chart,DFR,w/o AC Adapter .....	1,625.00
81-SDM2009-13	SDM-2009 cal station,flash dr,USB cable,tub,chart,58 liter 4-gas cylinder,DFR,w/o AC Adaptr .....	1,815.00
81-SDM2009-16	SDM-2009 cal station,flash dr,USB cable,tub,chart,34 liter 4-gas cylinder,DFR,w/o AC Adaptr .....	1,785.00
81-SDM2009-ACC	Standard accessories for SDM-2009 calibration station .....	68.00
81-SDM2012	SDM-2012 calibration station w/AC adapter.....	1,175.00
81-SDM2012-01	Single point calibration station for GX-2012 and Gas Tracer, model SDM-2012 with AC Adaptor, flash drive, USB cable, & tubing .....	1,280.00
81-SDM2012-02	Single point calibration station for GX-2012 and Gas Tracer, model SDM-2012 with AC Adaptor, flash drive, USB cable, tubing, & demand flow regulator .....	1,520.00
81-SDM2012-03	Single point calibration station for GX-2012, model SDM-2012 with AC Adaptor, flash drive, USB cable, tubing, demand flow regulator & 58AL cyl H2S (25 ppm)/CO/CH4/O2 .....	1,710.00
81-SDM2012-04	Single point calibration station for GX-2012, model SDM-2012 with AC Adaptor, flash drive, USB cable, tubing, demand flow regulator, 58AL cyl H2S (25 ppm)/CO/CH4/O2 & 58L steel cyl Methane 100% volume .....	1,860.00
81-SDM2012-05	Single point calibration station for GX-2012, model SDM-2012 with AC Adaptor, flash drive, USB cable, tubing, two demand flow regulators, 58AL cyl H2S (25 ppm)/CO/CH4/O2 & 58L steel cyl Methane 100% volume .....	2,100.00
81-SDM2012-07	Single point calibration station for Gas Tracer, model SDM-2012 with AC Adaptor, flash drive, USB cable, tubing, humidifier tube, two demand flow regulators, 103L steel cyl CO/CH4/O2, & 103L steel cyl 1,000 ppm CH4/Air.....	2,060.00
81-SDM2012-11	SDM-2012 calibration station,flash drive,USB cable,tubing,wall chart, w/o AC Adapter .....	1,180.00
81-SDM2012-12	SDM-2012 cal station,flash drive,USB cable,tubing,wall chart,DFR, w/o AC Adapter .....	1,520.00
81-SDM2012-13	SDM-2012 cal station,flash dr,USB cable,tubing,chart,58 liter 4-gas cyl,DFR,w/oAC Adapter .....	1,670.00
81-SDM2012-14	SDM-2012 cal station,flash dr,USB cable,tub,chart,58L 4-gas cyl,58L vol CH4,DFR,w/o AC Aptr .....	1,840.00
81-SDM2012-15	SDM-2012 cal station,flash dr,USB cable,tub,chart,58L 4-gas cyl & vol CH4,2 DFRs,w/o AC Adp .....	2,080.00
81-SDM2012-17	SDM-2012 cal station,flash dr,USB cable,tub,chart,103L3-gas cyl & ppm CH4,2 DFRs,w/o AC Adp .....	2,190.00
81-SDM2012-ACC	Standard accessories for SDM-2012 calibration station .....	68.00
81-SDM3R100	SDM-3R docking station w/particle filter/AC adapter/exhaust tube .....	1,290.00
81-SDM3R101	SDM-3R calibration station with 1 solenoid, AC adapter, flash drive, USB cable, and tubing .....	1,300.00
81-SDM3R102	SDM-3R calibration station with 1 solenoid, demand flow regulator, AC adapter, flash drive, USB cable, and tubing .....	1,580.00
81-SDM3R103	SDM-3R calibration station with 1 solenoid, demand flow regulator, 58AL cyl H2S/CO/CH4/O2, cylinder holder, AC adapter, flash drive, USB cable, and tubing .....	1,785.00
81-SDM3R104	SDM-3R calibration station with 1 solenoid, demand flow regulator, 34AL cyl H2S/CO/CH4/O2, cylinder holder, AC adapter, flash drive, USB cable, and tubing .....	1,755.00
81-SDM3R109	SDM-3R calibration station with 1 solenoid, demand flow regulator, 116AL cyl H2S/CO/CH4/O2, cylinder holder, AC adapter, flash drive, USB cable, and tubing .....	1,915.00
81-SDM3R110	SDM-3R w/fitr/AC adapter/exh & sample tubes/flash drive/USB & LAN cables/DFR/34L 5-gas cylinder(SO2) .....	1,765.00
81-SDM3R201	SDM-3R calibration station with 2 solenoids, AC adapter, flash drive, USB cable, and tubing .....	1,450.00
81-SDM3R202	SDM-3R calibration station with 2 solenoids, demand flow regulators (2 each), AC adapter, flash drive, USB cable, and tubing .....	2,035.00
81-SDM3R203	SDM-3R calibration station with 2 solenoid, demand flow regulator, 58AL cyl H2S/CO/CH4/O2, cylinder holder, AC adapter, flash drive, USB cable, and tubing .....	1,935.00
81-SDM3R204	SDM-3R calibration station with 2 solenoid, demand flow regulator, 34AL cyl H2S/CO/CH4/O2, cylinder holder, AC adapter, flash drive, USB cable, and tubing .....	1,905.00
81-SDM3R301	SDM-3R calibration station with 3 solenoids, AC adapter, flash drive, USB cable, and tubing .....	1,600.00
81-SDM3R302	SDM-3R calibration station with 3 solenoids, demand flow regulators (3 each), AC adapter, flash drive, USB cable, and tubing .....	2,440.00
81-SDM3R303	SDM-3R calibration station with 3 solenoid, demand flow regulator, 58AL cyl H2S/CO/CH4/O2, cylinder holder, AC adapter, flash drive, USB cable, and tubing .....	2,085.00
81-SDM3R304	SDM-3R calibration station with 3 solenoid, demand flow regulator, 34AL cyl H2S/CO/CH4/O2, cylinder holder, AC adapter, flash drive, USB cable, and tubing .....	2,055.00
81-SDM3RACC	Standard accessories for SDM-3R .....	77.00
81-SDM6000	SDM-6000 calibration station for GX-6000 with particle filter, connection brackets, & 10' exhaust tube (no AC adapter) .....	1,995.00
81-SDM6000-01	SDM-6000 calibration station for GX-6000, includes particle filter, connection brackets, SD card, USB SD card reader, ethernet cable, USB cable for PC, 10' exhaust tubing, and single unit AC adapter .....	2,095.00

# Numerical Index

Part#	Description	Suggested Retail
81-SDM6000-01MM	SDM-6000 w/USB cable/SD card & reader/ethernet cable/single unit AC adptr/10 ft exh tube,GS-MM config .....	2,090.00
81-SDM6000-02	SDM-6000 calibration station for GX-6000, includes particle filter, connection brackets, 10' exhaust tubing, USB cable for PC, SD card, USB SD card reader, ethernet cable, and multi-unit AC adapter .....	2,170.00
81-SDM6000-02MM	SDM-6000 w/USB cable/SD card & reader/ethernet cable/2-10 unit AC adptr/10 ft exh tube,GS-MM config .....	2,165.00
81-SDM6000-03	SDM-6000 calibration station for GX-6000, includes particle filter, connection brackets, 10' exhaust tubing, USB cable for PC, SD card, USB SD card reader, ethernet cable, single unit AC adapter, demand flow regulator, and cal gas tubing .....	2,410.00
81-SDM6000-04	SDM-6000 calibration station for GX-6000, includes particle filter, connection brackets, 10' exhaust tubing, USB cable for PC, SD card, USB SD card reader, ethernet cable, single unit AC adapter, demand flow regulator, cal gas tubing, 58AL cyl H2S/CO/CH4/O2, and cylinder holder .....	2,620.00
81-SDM6000-05	SDM-6000 calibration station for GX-6000, includes particle filter, connection brackets, 10' exhaust tubing, USB cable for PC, SD card, USB SD card reader, ethernet cable, single unit AC adapter, demand flow regulator, cal gas tubing, 58AL cyl isobutylene/H2S/CO/CH4/O2, and cylinder holder .....	2,770.00
81-SDM6000-06	Calibration station for SDM-6000, includes particle filter, connection brackets, 10' exhaust tubing, USB cable for PC, SD card, USB SD card reader, ethernet cable, single unit AC adapter, demand flow regulator, cal gas tubing, 34AL cyl isobutylene/air, and cylinder holder .....	2,580.00
81-SDM6000-07	SDM-6000 calibration station for GX-6000, includes particle filter, connection brackets, 10' exhaust tubing, USB cable for PC, SD card, USB SD card reader, ethernet cable, single unit AC adapter, demand flow regulator, cal gas tubing, 34AL cyl H2S/CO/CH4/O2, and cylinder holder .....	2,590.00
81-SDM6000-08	SDM-6000 calibration station for GX-6000, includes particle filter, connection brackets, 10' exhaust tubing, USB cable for PC, SD card, USB SD card reader, ethernet cable, single unit AC adapter, 2 demand flow regulators, cal gas tubing, 34AL cyl H2S/CO/CH4/O2, 34AL HCN/N2, and 2 cylinder holders .....	3,110.00
81-SDM6000-09	SDM-6000 w/USB/ethernet cable/SD card/reader/single AC adptr/DFR/smpl & exh tube/34L 5-gas(IBL) .....	2,660.00
81-SDM6000-09-1	SDM-6000 w/USB/ethernet cable/SD card/reader/single AC adptr/DFR/smpl & exh tube/34L 5-gas(IBL)/case .....	2,900.00
81-SDM6000-10	SDM-6000 w/USB/ethernet cable/SD card/reader/single AC adptr/DFR/smpl & exh tube/58L 5-gas(SO2) .....	2,710.00
81-SDM6000-11	SDM-6000 w/USB/ethernet cable/SD card/reader/single AC adptr/DFR/smpl & exh tube/34L 5-gas(SO2) .....	2,630.00
81-SDM6000-ACC	Standard accessories for master SDM-6000 or single SDM-6000 system .....	55.00
81-SDME2-01	Calibration station for EAGLE 2, model SDM-E2 with AC adaptor, flash drive, USB cable, & tubing .....	1,800.00
81-SDME2-02	Calibration station for EAGLE 2, model SDM-E2 with AC adaptor, flash drive, USB cable, tubing, & demand flow regulator .....	2,080.00
81-SDME2-03	Calibration station for EAGLE 2, model SDM-E2 with AC adaptor, flash drive, USB cable, tubing, demand flow regulator & 58AL cyl 25 ppm H2S/50 ppm CO/50% LEL CH4/12% O2 in N2 .....	2,270.00
81-SDME2-08-P1	Calibration station for EAGLE 2, model SDM-E2 with AC adaptor, flash drive, USB cable, tubing, two demand flow regulators, 58AL cyl 25 ppm H2S/50 ppm CO/50% LEL CH4/12% O2 in N2, & 103L steel cyl 10 ppm isobutylene in Air .....	2,700.00
81-SDME2-08-P2	Calibration station for EAGLE 2, model SDM-E2 with AC adaptor, flash drive, USB cable, tubing, two demand flow regulators, 58AL cyl 25 ppm H2S/50 ppm CO/50% LEL CH4/12% O2 in N2, & 103L steel cyl 100 ppm isobutylene in Air.....	2,700.00
81-SP220F-DLV	Cal kit, SP-220, 34L steel cyl isobutane 20% LEL in air, demand flow regulator, case & tubing .....	435.00
81-SP220F-LV	Cal kit, SP-220, 34L steel cyl isobutane 20% LEL in air, dispensing valve, gas bag, case & tubing .....	210.00
81-SP220H2-DLV	Cal kit, SP-220, 34L steel cyl H2 2000 ppm in air, 34L steel cyl CH4 10% LEL in air, demand flow regulator .....	490.00
81-SP220H2-LV	Cal kit, SP-220, 34L steel cyl H2 2000 ppm in air, 34L steel cyl CH4 10% LEL in air, dispensing valve, gas bag, case & tubing .....	265.00
81-SP220L-DLV	Cal kit, SP-220, 34L steel cyl Propane 25% LEL in air, demand flow regulator, case & tubing .....	435.00
81-SP220L-LV	Cal kit, SP-220, 34L steel cyl Propane 25% LEL in air, dispensing valve, gas bag, case & tubing.....	210.00
81-SP220M-DLV	Cal kit, SP-220, 34L steel cyl CH4 10% LEL in air, demand flow regulator, case & tubing .....	435.00
81-SP220M-LV	Calibration Kit,SP-220,10 %LEL methane (5000 ppm),34L,gas bag,case, & tubing .....	245.00
81-SV3	SV-3 solenoid valve unit, with connection brackets, for 6 cylinder expansion to the SDM-6000 .....	1,080.00
81-T0310-LV	Cal kit, T2A/T3A, 34AL cyl H2S 25 ppm in N2, regulator, case, XP cal cup, and tubing .....	515.00
81-T0410N-LV	Cal kit, Air Alert/AirLink Alert, 34AL cyl HCl 5 ppm in N2, regulator, case, cal cup for non-XP sensors, and tubing .....	565.00
81-T0430-LV	Cal kit, T2A/T3A, 34AL cyl HCl 5 ppm in N2, regulator, case, XP cal cup, and tubing .....	685.00



# Numerical Index

Part#	Description	Suggested Retail
81-T0699N-LV	Cal kit, Air Alert/AirLink Alert, 34AL cyl NH3 50 ppm in N2, regulator, case, cal cup for non-XP sensors, and tubing .....	545.00
81-T0725-LV	Cal kit, T2A/T3A, 34AL cyl NO 25 ppm in N2, regulator, case, XP cal cup, and tubing .....	645.00
81-T1203-LV	Cal kit, T2A/T3A, 34AL cyl Cl2 2 ppm in N2, regulator, case, XP cal cup, and tubing .....	605.00
81-T1220-LV	Cal kit, T2A/T3A, 34AL cyl Cl2 5 ppm in N2, regulator, case, XP cal cup, and tubing .....	605.00
81-T1220N-LV	Cal kit, Air Alert/AirLink Alert, 34AL cyl Cl2 5 ppm in N2, regulator, case, cal cup for non-XP sensors, and tubing .....	485.00
81-T1410-LV	Cal kit, T2A/T3A, 34AL cyl HCN 10 ppm in N2, regulator, case, XP cal cup, and tubing .....	605.00
81-T1410N-LV	Cal kit, Air Alert/AirLink Alert, 34AL cyl HCN 10 ppm in N2, regulator, case, cal cup for non-XP sensors, and tubing .....	485.00
81-T1505-LV	Cal kit, T2A/T3A, 34AL cyl PH3 0.5 ppm in N2, regulator, case, XP cal cup, and tubing .....	645.00
81-T4010	Cal kit, T3A, 103L cyl Methane 50% LEL in air, regulator, case, XP cal cup, and tubing .....	495.00
81-T4010-LV	Cal kit, T3A, 34L cyl Methane 50% LEL in air, regulator, case, XP cal cup, and tubing .....	440.00
81-T5310	Cal kit, T3A, 103L cyl Propane 50% LEL in air, regulator, case, XP cal cup, and tubing .....	495.00
81-T5310-LV	Cal kit, T3A, 34L cyl Propane 50% LEL in air, regulator, case, XP cal cup, and tubing .....	440.00
81-T6310-LV	Cal kit, T2A/T3A, 34L cyl isobutane in air, regulator, case, XP cal cup, and tubing .....	440.00
81-T9210	Cal kit, VOC Pro, 103L cyl Isobutylene 10 ppm in air, 103L cyl, Nitrogen 100%, regulator, case, XP cal cup, and tubing .....	645.00
81-T9210-LV	Cal kit, VOC Pro, 34L cyl Isobutylene 10 ppm in air, 34L cyl, Nitrogen 100%, regulator, case, XP cal cup, and tubing .....	495.00
81-T9320	Cal kit, VOC Pro, 103L cyl Isobutylene 100 ppm in air, 103L cyl, Nitrogen 100%, regulator, case, XP cal cup, and tubing .....	645.00
81-T9320-LV	Cal kit, VOC Pro, 34L cyl Isobutylene 100 ppm in air, 34L cyl, Nitrogen 100%, regulator, case, XP cal cup, and tubing .....	495.00
81-T9510	Cal kit, VOC Pro, 58AL cyl Benzene 10 ppm in air, 103L cyl, Nitrogen 100%, regulator, case, XP cal cup, and tubing .....	645.00
81-T9510-LV	Cal kit, VOC Pro, 34AL cyl Benzene 10 ppm in air, 103L cyl, Nitrogen 100%, regulator, case, XP cal cup, and tubing .....	625.00
811-021-DLV	Cal kit, EAGLE 2, 17L cyl 10% vol isobutane/N2, dem flow reg, case & tubing .....	425.00
811-101-20DLV	Cal kit, EAGLE 2, 34L cyl 100% hydrogen, dem flow reg, case & tubing .....	445.00
811-101-P1	Cal kit, EAGLE 2, 103L cyl 10 ppm isobutylene in air, dem flow reg, case & tubing .....	495.00
811-101-P1-DLV	Cal kit, EAGLE 2, 34L cyl 10 ppm isobutylene in air, dem flow reg, case & tubing .....	530.00
811-101-P2	Cal kit, EAGLE 2, 103L cyl 100 ppm isobutylene in air, dem flow reg, case & tubing .....	495.00
811-101-P2-DLV	Cal kit, EAGLE 2, 34L cyl 100 ppm isobutylene in air, dem flow reg, case & tubing .....	435.00
811-102-10DLV	Cal Kit,EAG2,4% hydrogen in N2,34L,dem flow reg .....	435.00
811-102-20-DLV	Cal Kit,EAG2,100% hydrogen in N2,34L,dem flow reg .....	435.00
812-045-DLV	Cal kit, EAGLE 2, 34L cyl 50% vol CH4, dem flow reg, case & tubing .....	445.00
812-101-P1	Cal kit, EAGLE 2, 103L cyl 50% LEL CH4/Air, 103L cyl 10 ppm isobutylene in air, dem flow reg, case & tubing .....	640.00
812-101-P1-DLV	Cal kit, EAGLE 2, 34L cyl 50% LEL CH4/Air, 34L cyl 10 ppm isobutylene/air, dem flow reg, case & tubing ...	465.00
812-101-P1-HDLV	Cal kit, EAGLE 2, 34L cyl 10% LEL Hex/Air, 34L cyl 10 ppm isobutylene/air, dem flow reg, case & tubing ...	645.00
812-101-P2	Cal kit, EAGLE 2, 103L cyl 50% LEL CH4/Air, 103L cyl 100 ppm isobutylene in air, dem flow reg, case & tubing .....	645.00
812-101-P2-DLV	Cal kit, EAGLE 2, 34L cyl 50% LEL CH4/Air, 34L cyl 10 ppm isobutylene in air, dem flow reg, case & tubing	490.00
812-101-P25	Cal kit, EAGLE 2, 58AL cyl 100 ppm isobutylene/50% LEL CH4/25 ppm H2S/50 ppm CO/12% O2/N2, dem flow reg, case & tubing .....	685.00
812-101-P25-DLV	Cal kit, EAGLE 2, 34AL cyl 100 ppm isobutylene/50% LEL CH4/25 ppm H2S/50 ppm CO/12% O2/N2, dem flow reg, case & tubing .....	590.00
812-102-20-DLV	Cal kit, EAGLE 2, 34L cyl 100% H2, dem flow reg, case & tubing .....	435.00
812-102-20HDLV	Cal Kit,Eagle 2,50 %LEL H2/100 %vol H2,34 liter,demand flow regulator .....	460.00
812-103-10-DLV	Cal Kit,EAG2,H2/N2,34L,dem flow reg .....	375.00
812-112-H2	Cal Kit, EAGLE 2, 103L steel cyl H2 50% LEL in air, 103L steel cyl CH4 50% LEL in Air, demand flow regulator, case & tubing .....	645.00
813-002-DLV	Cal Kit,EAG2,LEL/O2/CO,34L,dem flow reg .....	435.00
813-022-DLV	Cal Kit,EAG2,LEL H2/O2/CH4,34L,dem flow reg .....	490.00
813-026-02-DLV	Cal kit, EAGLE 2, 34L cyl 5000 ppm CO/N2, 34L cyl CO/CH4/O2, dem flow reg, case & tubing .....	490.00
813-035-05-DLV	Cal kit,CH4/Oxy,34L,CO2/N2,34L,demand flow regulator .....	490.00
813-101-P1	Cal kit, EAGLE 2, 103L cyl 50 ppm CO/50% LEL CH4/12% O2/N2, 103L cyl 10 ppm isobutylene in air, dem flow reg, case & tubing .....	670.00
813-101-P1-DLV	Cal kit, EAGLE 2, 34L cyl 50 ppm CO/50% LEL CH4/12% O2/N2, 34L cyl 10 ppm isobutylene in air, dem flow reg, case & tubing .....	490.00

# Numerical Index

Part#	Description	Suggested Retail
813-101-P2	Cal kit, EAGLE 2, 103L cyl 50 ppm CO/50% LEL CH4/12% O2/N2, 103L cyl 100 ppm isobutylene in air, dem flow reg, case & tubing .....	645.00
813-101-P2-DLV	Cal kit, EAGLE 2, 34L cyl 50 ppm CO/50% LEL CH4/12% O2/N2, 34L cyl 100 ppm isobutylene in air, dem flow reg, case & tubing .....	490.00
813-101-P2-HDLV	Cal kit, EAGLE 2, 34L cyl 50 ppm CO/50% LEL Hex/12% O2/N2, 34L cyl 100 ppm isobutylene in air, dem flow reg, case & tubing .....	490.00
813-104-10DLV	Cal Kit,EAG2,H2 4% vol,34L, CO/LEL/O2,34L,dem flow reg .....	490.00
813-104-20DLV	Cal Kit,EAG2,H2 100% vol,34L, CO/LEL/O2,34L,dem flow reg .....	490.00
813-104-20LV	Cal kit, EAGLE 2, 34L steel cyl H2 100% vol, 34L steel cyl H2 50% LEL in air, 34L steel cyl N2 100%, dispensing valve, gas bag, case & tubing .....	350.00
813-106-10-DLV	Cal kit, EAGLE 2, 34L 4% vol H2/N2, 34L CO/CH4/O2, dem flow reg, case & tubing .....	490.00
813-113-LV	Cal kit, EAGLE 2, 34L cyl 2.5% CO2/N2, 34AL cyl 25 ppm NH3/N2, 34AL cyl Cl2/N2, dispensing valve, reg, gas bag, case & tubing .....	975.00
813-114-25-DLV	Cal kit, EAGLE 2, 34L cyl 100% H2, 34L cyl 15% CO2/N2, dem flow reg, case & tubing .....	500.00
814-068-05-DLV	Cal Kit,EAG,LEL/O2/H2S/CO2,34L,dem flow reg .....	545.00
814-074-03-DLV	Cal kit, EAGLE 2, 34L cyl CO/CH4/O2, 34L cyl 2.5% CO2/N2, 34L cyl 50% vol CH4/N2, dem flow reg, case & tubing .....	545.00
814-074-05-DLV	Cal kit, EAGLE 2, 34L cyl CO/CH4/O2, 34L cyl 15% CO2/N2, 34L cyl 50% vol CH4/N2, dem flow reg, case & tubing .....	545.00
814-101-P1	Cal kit, EAGLE 2, 58AL cyl H2S/CO/CH4/O2, 103L cyl 10 ppm isobutylene in air, dem flow reg, case & tubing .....	685.00
814-101-P1-DLV	Cal kit, EAGLE 2, 34AL cyl H2S/CO/CH4/O2, 34AL cyl 10 ppm isobutylene in air, dem flow reg, case & tubing .....	690.00
814-101-P2	Cal kit, EAGLE 2, 58AL cyl H2S/CO/CH4/O2, 103L cyl 100 ppm isobutylene in air, dem flow reg, case & tubing .....	715.00
814-101-P2-DLV	Cal kit, EAGLE 2, 34AL cyl H2S/CO/CH4/O2, 34AL cyl 100 ppm isobutylene in air, dem flow reg, case & tubing .....	630.00
814-101-P25	Cal kit, EAGLE 2, 58AL cyl 100 ppm isobutylene/25 ppm H2S/50 ppm CO/50% LEL CH4/12% O2/N2, dem flow reg, case & tubing .....	685.00
814-101-P25-DLV	Cal kit, EAGLE 2, 34AL cyl 100 ppm isobutylene/25 ppm H2S/50 ppm CO/50% LEL CH4/12% O2/N2, dem flow reg, case & tubing .....	610.00
814-102-P2-DLV	Cal kit, EAGLE 2, 34L cyl CO/CH4/O2, 34L cyl 100 ppm isobutylene/air, dem flow reg, case & tubing .....	490.00
814-103-25-DLV	Cal kit, EAGLE 2, 34L cyl 50% LEL H2/N2, 34L cyl 100% H2, 34L cyl 15% vol CO2/N2, dem flow reg, case & tubing .....	555.00
814-114-P2-DLV	Cal kit, EAGLE 2, 103L cyl 50% LEL CH4/Air, 34AL cyl 100 ppm isobutylene in air, 34AL cyl 25 ppm NH3/ N2, dem flow reg, case & tubing .....	1,535.00
814-114-P2-HDLV	Cal kit, EAGLE 2, 103L cyl 10% LEL Hex/air, 34AL cyl 100 ppm isobutylene/air, 34AL cyl 25 ppm NH3/ N2, 34AL cyl 2 ppm Cl2/N2, dem flow reg, case & tubing .....	1,535.00
815-001	Cal kit, EAGLE 2, 58AL cyl SO2/H2S/CO/CH4/O2, dem flow reg, case & tubing .....	575.00
815-001-DLV	Cal kit, EAGLE 2, 34AL cyl SO2/H2S/CO/CH4/O2, dem flow reg, case & tubing .....	580.00
815-101-P1	Cal kit, EAGLE 2, 58AL cyl H2S/CO/CH4/O2, 103L cyl 10 ppm isobutylene in air, dem flow reg, case & tubing .....	725.00
815-101-P1-DLV	Cal kit, EAGLE 2, 34AL cyl H2S/CO/CH4/O2, 34AL cyl 10 ppm isobutylene in air, dem flow reg, case & tubing .....	690.00
815-101-P1-LV	Cal kit, EAGLE 2, 34AL cyl H2S/CO/CH4/O2, 34AL cyl 10 ppm isobutylene in air, reg with gauge & knob, gas bag, case & tubing .....	485.00
815-101-P2	Cal kit, EAGLE 2, 58AL cyl H2S/CO/CH4/O2, 103L cyl 100 ppm isobutylene in air, dem flow reg, case & tubing .....	685.00
815-101-P2-DLV	Cal kit, EAGLE 2, 34AL cyl H2S/CO/CH4/O2, 34AL cyl 100 ppm isobutylene in air, dem flow reg, case & tubing .....	690.00
815-101-P2-HDLV	Cal kit, EAGLE 2, 34AL cyl H2S/CO/Hex/O2, 34AL cyl 100 ppm isobutylene in air, dem flow reg, case & tubing .....	690.00
815-101-P2-LV	Cal kit, EAGLE 2, 34AL cyl H2S/CO/CH4/O2, 34AL cyl 100 ppm isobutylene in air, reg with gauge & knob, gas bag, case & tubing .....	565.00
815-102-P1	Cal kit, EAGLE 2, 103L cyl LEL/O2/CO, 103L cyl 10 ppm isobutylene/air, 103L cyl 10 ppm HCN/N2, dem flow reg, case & tubing .....	950.00
815-102-P1-DLV	Cal kit, EAGLE 2, 34L cyl LEL/O2/CO, 34L cyl 10 ppm isobutylene/air, 34AL cyl 10 ppm HCN/N2, dem flow reg, case & tubing .....	465.00
815-102-P1-LV	Cal kit, EAGLE 2, 34L cyl LEL/O2/CO, 34L cyl 10 ppm isobutylene/air, 34AL cyl 10 ppm HCN/N2, reg, disp valve, gas bag, case & tubing .....	335.00
815-103-02P2DLV	Cal Kit,EAG2,CO/LEL/O2 5L,Isobutylene/Air 34L,CO2/N2 34L,Isobutylene/demand flow regulator .....	555.00

# Numerical Index

Part#	Description	Suggested Retail
815-106-05-DLV	Cal kit, EAGLE 2, 34AL cyl H2S/CO/CH4/O2, 34L cyl 15% CO2/N2, dem flow reg, case & tubing	655.00
815-111-05H2DLV	Cal Kit,EAG2,H2/CO2/LEL/O2 34AL & 103L,demand flow regulator.....	865.00
816-017	Cal Kit,EAG2,H2S/CO/LEL/O 34L,5 ppm SO2 34 L,25 ppm NH3 34L,dem flow reg	975.00
816-101-P25-DLV	Cal Kit,EAG2,Isobutylene/H2S/CO/LEL/O2 34AL,SO2/N2 34AL,dem reg	750.00
816-102-P25-DLV	Cal kit, EAGLE 2, 34AL cyl 100 ppm isobutylene/H2S/CO/CH4/O2/N2, 34AL cyl 25 ppm NH3/N2, dem flow reg, case & tubing	905.00
816-106-02P1DLV	Cal Kit,EAG2,Isobutylene/H2S/CO/LEL/O2 34AL,CO2/N2 103L,dem reg	785.00
816-106-03P2DLV	Cal kit, EAGLE 2, 34AL cyl H2S/CO/CH4/O2, 34AL cyl 100 ppm isobutylene/N2, 103L, 2.5% CO2/N2, dem flow reg, case & tubing	865.00
816-106-05P2DLV	Cal kit, EAGLE 2, 34AL cyl H2S/CO/CH4/O2, 34AL cyl 100 ppm isobutylene/N2, 103L, 15% CO2/N2, dem flow reg, case & tubing	865.00
816-109-P2-DLV	Cal kit, EAGLE 2, 34AL cyl H2S/CO/CH4/O2, 34AL cyl 5 ppm SO2/N2, 34AL, 10 ppm NH3/N2, 34AL 100 ppm isobutylene/air, dem flow reg, two cases & tubing	1,130.00
816-111-30P2DLV	Cal kit, EAGLE 2, 58L 100% vol CH4, 34AL cyl 100 ppm isobutylene/Air, 34AL cyl H2S/CO/CH4/O2/N2, dem flow reg, case & tubing	840.00
816-115-02	Cal kit, EAGLE 2, 34AL cyl H2S/CO/CH4/O2, 103L cyl 50% CH4/N2, 103L, 5000 CO2/N2, dem flow reg, case & tubing	875.00
816-122-P2-DLV	Cal Kit,EAG2,H2S/CO/LEL/O2 34ALL,Isobutylene/Air 34AL,SO2/N2 34AL,dem reg	830.00
816-124-P2	Cal kit, EAGLE 2, 103L cyl CO/CH4/O2/N2, 34AL cyl 100 ppm isobutylene/Air, 34AL cyl 25 ppm NH3/N2, 34AL cyl PH3/N2, dem flow reg, case & tubing	1,395.00
82-0001RK	Tool for removing pins for watchband or clip	14.00
82-0002RK	Pocket screwdriver with detachable tips	6.00
82-0003RK	Removal Tool,Electrode Stack,for Ion Science PID Sensor	15.00
82-0006RK	Screwdriver, pot adjust, no logo	7.00
82-0101RK	Magnetic wand, for M2A/T2A/T3A/VOC Pro/Air Alert/AirLink Transmitters	15.00
82-0104	Magnetic wand for AirLink 6940	45.00
82-0120-02	Magnets (2 each) adder hardware for T3A/VOC Pro type j-box	26.00
82-0120-03	Adder, four magnets and hardware,for Airlink 6490 type jbox	52.00
82-0300RK	PID lamp cleaning kit with removal tool for 10.0 & 10.6 eV lamps only	52.00
82-1001	Tripod stand for FP-31	94.00
82-1001-01	Tripod attachment for FP-31	40.00
82-5007RK	Data logging kit, downloading, EAGLE	165.00
82-5011RK-USB	Downloading kit with software & IrDA to USB cable	240.00
82-5012RK-01	USB cable only,no software,for 82-5100RK & 82-5101RK	200.00
82-5012RK-02	Software only,no cable,for 82-5100RK & 82-5101RK.....	10.00
82-5015RK	Data Logging Package,GX-2009	100.00
82-5016RK	User Setup Program Package,GX-2009	100.00
82-5100-10	Adder,Veriteq SP-4000-4CW 4-channel datalogger w/software & USB cable,for Beacon 410A	1,850.00
82-5100-11	Adder,one Veriteq SP-4000-4CW 4-channel datalogger w/software & USB cable,for Beacon 800.....	1,850.00
82-5100RK	Datalogger, 4-channel, 4-20 mA with software & USB cable	1,800.00
82-5102RK	Datalogger, 1 channel, 4-20 mA input, USB interface, with software & leads, Lascar EL-USB-4	250.00
82-5201-01	Email / text generator in 4X housing, contact closure type with 12 VDC 1.5 amp power supply	650.00
82-5220	ESTOP emergency shut off with relay contacts for solenoid valve control, 24 VDC power input	900.00
82-5221	ESTOP emergency shut off with relay contacts for solenoid valve control, 115 VAC power input	960.00
82-5222	ESTOP emergency shut off with air pressure control for solenoid vavle, 24 VDC input	1,340.00
82-5223	ESTOP emergency shut off with air pressure control for solenoid vavle, 115 VAC input	1,400.00
82-6050RK	USB Hub, 4 port 2.0 for SDM-03/SDM-2009/SDM-2012	30.00
82-6051RK	USB Hub, 7 port 2.0 for SDM-03/SDM-2009/SDM-2012	90.00
82-6105RK	USB flash drive, 1 GB, for calibration stations	25.00
82-6106	SD card,4 GB	25.00
82-6107	USB SD card reader with 2 GB SD card	30.00
82-6400	Portable printer for SDM-6000, 58 mm paper width, includes USB/serial/IR adapter,battery pack, USB cable, AC power adapter and cable	960.00
82-6400-01	Thermal printer paper roll, 58 mm width for SDM-6000	31.00
83-0006RK	Software,datalogging,GX-2001	20.00
83-0009RK	Software,Single Module Data Viewer,SM-2001U/SM-2003U/SM-2009U	25.00
83-0010RK	Data downloading software for SC-01	25.00
83-0016RK	Software,Single Module Data Viewer/PC Controlled,SDM-E2/SDM-2012/SDM-2009.....	25.00
83-8012RK	Software,datalogging,RX-515/RX-516/RX-517	25.00
90-CALCERT	Calibration certificate per instrument	10.00
90-F-DAY	Field service daily charge	850.00

# Numerical Index

Part#	Description	Suggested Retail
90-F-HOUR	Field service hourly labor charge .....	135.00
90-R-EST	Repair estimate fee, at \$85/hour .....	85.00
91-1000	Adding a super toxic sensor to EAGLE .....	1,200.00
91-1000-01	Adding a super toxic sensor to EAGLE if instrument has existing super toxic sensor .....	1,200.00
91-1001	Adding a 0 - 100% LEL (IR) CH4 sensor to EAGLE .....	1,200.00
91-1001-01	Adding a 0 - 100% LEL (IR) CH4 sensor to EAGLE if instrument has existing IR sensor .....	1,200.00
91-1002	Adding a 0 - 100% Vol CH4 sensor to EAGLE .....	1,200.00
91-1002-01	Adding a 0 - 100% Vol CH4 sensor to EAGLE if instrument has existing IR sensor .....	1,200.00
91-1003	Adding CO2 0 - 5,000 / 10,000 ppm to EAGLE .....	1,200.00
91-1003-01	Adding CO2 0 - 5,000 / 10,000 ppm to EAGLE if instrument has existing IR sensor .....	1,200.00
91-1004	Adding CO2 0 - 5% to EAGLE .....	1,200.00
91-1004-01	Adding CO2 0 - 5% to EAGLE if instrument has existing IR sensor .....	1,200.00
91-1005	Adding CO2 0 - 20% / 0 - 60% Vol to EAGLE .....	1,200.00
91-1005-01	Adding CO2 0 - 20% / 0 - 60% Vol to EAGLE if instrument has existing IR sensor .....	1,200.00
91-1006	Changing from one Super Toxic gas type to another .....	855.00
91-1007	Changing from 2 gas flow chamber to 4 gas flow chamber (sensors not included) .....	320.00
91-1025	Adding Low Range PID to EAGLE 2 .....	1,950.00
91-1026	Adding High Range PID to EAGLE 2 .....	1,650.00
91-1027	Adding 10,000ppm IR CO2 sensor to EAGLE 2 .....	1,200.00
91-1028	Adding 5% IR CO2 sensor to EAGLE 2 .....	1,200.00
91-1029	Adding 60% IR CO2 sensor to EAGLE 2 .....	1,200.00
91-1030	Adding IR CH4 sensor to EAGLE 2 .....	1,200.00
91-1031	Adding IR HC sensor to EAGLE 2 .....	1,200.00
91-1032	Adding TC CH4 sensor to EAGLE 2 .....	750.00
91-1033	Adding TC H2 sensor to EAGLE 2 .....	750.00
91-1034	Adding ESM-01 sensor to EAGLE 2 .....	700.00
91-1034-HCN	Upgrade,Eagle 2,adding ESM-01 HCN sensor .....	700.00
91-1034-NH3	Upgrade,Eagle 2,adding ESM-01 NH3 sensor .....	700.00
91-1034-PH3	Upgrade,Eagle 2,adding ESM-01 PH3 sensor .....	700.00
91-1034-SO2	Upgrade,Eagle 2,adding ESM-01 SO2 sensor .....	700.00
91-1035	Adding standard 4 gas block & sensors to EAGLE 2 .....	1,200.00
91-C-ELVL1	Level 1 service for any EAGLE with 1 to 4 gas sensors including (LEL/O2/H2S/CO) or any single gas toxic / PID / TC / IR sensor .....	180.00
91-C-ELVL2	Level 2 service for any EAGLE with 2 super toxic / PID / TC / IR sensors only or 1 super toxic / PID / TC / IR sensor plus any 1 to 4 gas sensors including (LEL/O2/H2S/CO) .....	225.00
91-C-ELVL3	Level 3 service for any EAGLE with 2 or more super toxic / PID / TC / IR sensors plus any 1 to 4 gas sensors including (LEL/O2/H2S/CO) .....	270.00
91-C-LVL1	Level 1 service - inspect, service, and calibration of the following instruments: 04 Series, 03 Series, GasWatch 3, GasWatch 2, GP-01, OX-01, HS-01, CO-01, GP-204, NP-204, & SC-01 .....	95.00
91-C-LVL2	Level 2 service - inspect, service, and calibration of the following instruments: GX-3R, GX-3R Pro, GX-2009, GX-2012, GX-6000 (4 gas, PID only, or toxic only), Gas Tracer, GX-2001, GX-2003, GX-94, GX-82A, GX-86A, RI-413A, SP-205ASC, GX-85N, NP-85, GP-226, RI-415, RX-415, GX-8000, RX-8000, & PS 2 .....	130.00
91-C-LVL3	Level 3 service - inspect, service, and calibration of the following instruments: GX-6000 (4 gas + PID/toxic), RX-516, RX-517, RI-413, GD-K88Ai, GD-70D, GD-K7D2, GD-K77D, SC-1, SC-8000 .....	170.00
91-C-LVL4	Level 4 service - inspect, service, and calibration of the following instruments: FP-30, FP-40, FP-31 .....	250.00
91-C-LVL5	Level 4 service - inspect, service, and calibration of the following instruments: FP-300, FP-301, FP-330 ...	350.00
91-R-LABOR	Labor and diagnostic charge,repair .....	85.00
91-R-XFEE	Labor charge, expedite fee .....	85.00
91-R1-XFEE	Labor charge, 1 day expedite fee .....	150.00
91-R3-XFEE	Labor charge, 3 day expedite fee .....	85.00
d	Cylinder,N2 100%,552L 5E, CGA 590 .....	350.00
DE-3113-13	Sensor, IR, Methane (CH4) 0 - 100% LEL / 0 - 100% volume auto range for RX-8000 .....	1,300.00
DE-3123-4	Sensor, IR, Hydrocarbons (HC) 0 - 100% LEL / 0 - 100% volume auto range for RX-8000 .....	1,300.00
DE-3123-5	Sensor, IR, Methane (CH4), 0 - 100% LEL / 0 - 100% volume / Carbon Dioxide (CO2) 0 - 20% volume for RX-8500 .....	1,200.00
DE-3313-17	IR sensor with chamber,for SD-705RID (i-C4H10) .....	1,260.00
DE-3315-1	IR detector,CH4,1-100 %LEL/0-100 %volume, for SD-1RI .....	850.00
DE-3315-2	IR detector,HC,1-100 %LEL,for SD-1RI .....	850.00
DEM-3313-1	Sensor, IR, Carbon Dioxide (CO2), 0 - 5% volume range .....	750.00
DEM-3313-1P	Sensor,IR,CO2,10mm,0-5%Vol,EAGLE 2, As Purchased .....	750.00
DEM-3313-2	Sensor, IR, HC, 0 - 100% LEL / 0 - 30% volume auto range .....	750.00

# Numerical Index

Part#	Description	Suggested Retail
DEM-3313-2P	Sensor,IR,HC,10mm,0-100%LEL/2-30%Vol,EAGLE 2, As Purchased .....	800.00
DEM-3313-3	Sensor, IR, Methane (CH4), 0 - 100% LEL & 0 - 100% volume autoranging .....	750.00
DEM-3313-3A	Sensor, IR, Methane (CH4), 0 - 100% volume autoranging .....	750.00
DEM-3313-4	Sensor, IR, Carbon Dioxide (CO2), 0 - 10,000 ppm range .....	750.00
DEM-3313-4P	Sensor,IR,CO2,30mm,0-10,000ppm,EAGLE 2, As Purchased.....	750.00
DEM-3313-5	Sensor, IR, Carbon Dioxide (CO2), 0 - 60% volume range .....	750.00
DEM-3313-5P	Sensor,IR,CO2,2mm,0-60%Vol,EAGLE 2, As Purchased .....	750.00
DES-3311-1	Sensor, IR, Carbon Dioxide (CO2) 0 - 10% for GX-6000 .....	400.00
DES-3311-1-01	Sensor, IR, Carbon Dioxide (CO2) 0 - 10% with scrubber for GX-6000 .....	450.00
DES-3311-2	Sensor, IR, Hydrocarbons (HC) 0 - 100% LEL / 0 - 30% volume auto range for GX-6000 .....	400.00
DES-3311-3	Sensor, IR, Methane (CH4) 0 - 100% LEL / 0 - 100% volume auto range for GX-6000 .....	400.00
DES-3311-4	Sensor, IR, Carbon Dioxide (CO2) 0 - 10,000 ppm for GX-6000.....	400.00
DES-3311-4-01	Sensor, IR, Carbon Dioxide (CO2) 0 - 10,000 ppm with scrubber for GX-6000 .....	450.00
DES-3311-5	Sensor, IR, Carbon Dioxide (CO2) 0 - 2,000/5,000/10,000 ppm ranges with scrubber for RI-600 .....	650.00
DES-3311-6	Sensor, IR, Carbon Dioxide (CO2) 0 - 2% / 5% ranges with scrubber for RI-600 .....	650.00
EC-5002	Module,indicator/alarm, toxic gases, 2-wire 4-20 mA, RM-5000 Series (specify gas & range) .....	660.00
EC-5002-CO	Module,indicator/alarm,0-150 ppm CO,2-wire 4-20 mA, RM-5000 Series .....	660.00
EC-5002-H2S	Module,indicator/alarm,0-100 ppm H2S,2-wire 4-20 mA, RM-5000 Series .....	660.00
EC-5002-NH3	Module,indicator/alarm, 0-75.0 ppm NH3, 2-wire 4-20 mA, RM-5000 Series .....	660.00
EL-7776	Filament set only, CH4, for GP-204 with RKK Style sensors .....	65.00
ES-031M-CO	Sensor, Carbon Monoxide (CO), 0 - 1,000 ppm for RX-515 .....	225.00
ES-037I-H2S	Sensor, Hydrogen Sulfide (H2S), 0 - 100 ppm for GX-8000 .....	280.00
ES-037R-H2S	Sensor, Hydrogen Sulfide (H2S), low range 0 - 100 ppm, ES-037R for RX-516/RX-517 .....	150.00
ES-037RM-H2S	Sensor, Hydrogen Sulfide (H2S), high range 0 - 1,000 ppm, ES-037R, for RX-517 .....	225.00
ES-1531-CO	Sensor, Carbon Monoxide (CO) 0 - 300 ppm, plug-in type, CT-7 style, cCSAus version .....	195.00
ES-1537-H2S	Sensor, Hydrogen Sulfide (H2S) 0 - 100 ppm, plug-in type, CT-7 style, cCSAus version .....	195.00
ES-1821	Sensor, Carbon Monoxide (CO) 0-500 ppm for GX-2009/GX-2012/GX-6000/CO-03/GasWatch 2/Gas Tracer	140.00
ES-1826	Sensor, Nitrogen Dioxide (NO2) 0-20 ppm for GX-2009 MSHA .....	160.00
ES-1827I	Sensor, Hydrogen Sulfide (H2S) 0-100 ppm for GX-2009/GX-2012/GX-6000/HS-03/GasWatch 2 .....	140.00
ES-23-CO	Sensor, Carbon Monoxide (CO), large, 0 - 150 ppm range .....	465.00
ES-237-H2S	Sensor, Hydrogen Sulfide (H2S), 0 - 30 ppm range .....	465.00
ES-238-SO2	Sensor, Sulfur Dioxide (SO2), new style, 0 - 10 ppm (or 0 - 6 ppm) range .....	465.00
ES-23A-NO	Sensor, Nitric Oxide (NO) 0 - 100 ppm range .....	465.00
ES-23AH-B2H6	Sensor, Diborane (B2H6) 0 - 30 ppm range .....	465.00
ES-23AH-D-CL2	Sensor,Chlorine,0-3 PPM,GD-K8 .....	465.00
ES-23AH-H2S	Sensor, Hydrogen Sulfide (H2S), 0 - 1.00 ppm range .....	465.00
ES-23AH-NO2	Sensor, Nitrogen Dioxide (NO2) 0 - 15 ppm range .....	465.00
ES-23AH-PH3	Sensor, Phosphine (PH3) 0 - 1.00 ppm range (no H2 response) .....	465.00
ES-23AH-SiH4	Sensor, Silane (SiH4) 0 - 15 ppm range, old style (no H2 response) .....	465.00
ES-23AHS-ASH3	Sensor, Arsine (AsH3) 0 - 0.20 ppm range or 0 - 1.00 ppm range .....	465.00
ES-23AYA-B2H6	Sensor,Diborane,0-0.30 ppm,GD-K8 .....	465.00
ES-23DH-GEH4	Sensor,GEH4,0-0.8 PPM,GD-K8 .....	465.00
ES-23DH-H2O2	Sensor, Hydrogen Peroxide (H2O2), 0-3 PPM, GD-K8 .....	465.00
ES-23DH-HCN	Sensor, Hydrogen Cyanide (HCN) 0 - 30 ppm range.....	465.00
ES-23DH-PH3	Sensor, Phosphine (PH3) 0 - 1.00 ppm, GD-K8 (with H2 response) .....	465.00
ES-23DH-Si2H6	Sensor,Disilane,0-15PPM, GD-K8 .....	465.00
ES-23DH-SiH4	Sensor, Silane (SiH4) 0 - 15 ppm range, new style (with H2 response) .....	465.00
ES-23E-HBR	Sensor, Hydrogen Bromide (HBr) 0 - 9.00 ppm range .....	465.00
ES-23E-HCL	Sensor, Hydrogen Chloride (HCl), 0 - 15 ppm range, (no Cl2 response) .....	465.00
ES-23E-HI	Sensor, Hydrogen Iodide (HI), 0-5 ppm .....	465.00
ES-23E-N2H4	Sensor, Hydrazine (N2H4), 0 - 5 ppm range .....	465.00
ES-23E-SO2	Sensor, Sulfur Dioxide (SO2) 0 - 30 ppm range (or 0 - 15 ppm range) .....	465.00
ES-23R-A-NH3	Sensor,Ammonia,0-150 PPM,GD-K8 .....	465.00
ES-23R-NH3	Sensor, Ammonia (NH3), (new style) 0 - 75 ppm range, (higher range optional) .....	465.00
ES-23RL-NH3	Sensor,Ammonia,0-75 PPM,GD-K8,low humidity .....	465.00
ES-23RV-BTBAS	Sensor, BTBAS, 0 - 15 ppm .....	465.00
ES-23RV-DEA	Sensor,diethylamine,0-15 PPM .....	465.00
ES-23RV-DMA	Sensor,dimethylamine,0-15 PPM .....	465.00
ES-23RV-TEMAH	Sensor,TEMAH,0-15 PPM .....	465.00
ES-23RVM-DEA	Sensor,diethylamine,0-15 PPM,low humidity type .....	465.00
ES-23RVM-DMA	Sensor,dimethylamine,0-15 PPM,low humidity type .....	465.00

# Numerical Index

Part#	Description	Suggested Retail
ES-23RVM-TEMAH	Sensor,ES-23RVM-EMA for TEMAH,0-15 PPM,low humidity type.....	465.00
ES-23SD-H2SE	Sensor, Hydrogen Selenide (H2Se) 0 - 0.20 ppm range .....	465.00
ES-831-CO	Sensor, Carbon Monoxide (CO) 0-75 ppm for SD-703EC / SD-705EC .....	495.00
ES-837RP	Sensor, Hydrogen Sulfide (H2S) 0-30 ppm for SD-703EC .....	500.00
ES-87RW-H2S	Sensor, Hydrogen Sulfide (H2S), 0 - 100 ppm range, EAGLE 2 standard, EAGLE marine versions .....	195.00
ES-937X-H2S	Sensor,0 - 30 ppm H2S .....	465.00
ES-K233-ACET	Sensor,acetic acid (CH3COOH),0-30 ppm,GD-K8 .....	465.00
ES-K233-BR2	Sensor, Bromine (Br2) 0 - 1.00 ppm range.....	465.00
ES-K233-CL2	Sensor, Chlorine (Cl2) 0 - 3.00 ppm range (Family acid gas sensor) .....	465.00
ES-K233-F2	Sensor, Fluorine (F2) 0 - 3.00 ppm range .....	465.00
ES-K233-HCL	Sensor, Hydrogen Chloride (HCl) 0 - 15 ppm range (with CL2 response) .....	465.00
ES-K233-HF	Sensor, Hydrogen Fluoride (HF) 0 - 9.00 ppm range.....	465.00
ES-K233-HNO3	Sensor, Nitric Acid (HNO3), 0 - 20 ppm .....	465.00
ES-K233-HNO3-C	Sensor,HNO3,0-20 PPM,GD-K8,made with Cl2 sensor .....	465.00
ES-K233-I2	Sensor, Iodine (I2), 0 - 1 ppm .....	465.00
ES-K233CS-CLF3C	Sensor,CLF3,0-0.6 ppm,GD-K8/K7D2,C type .....	465.00
ES-K233L-F2	Sensor,Fluorine,0-3 PPM,low humidity type,GD-K8.....	465.00
ES-K233L-HF	Sensor,HF,0-9 PPM,GD-K8,low humidity .....	465.00
ES-K237-H2S	Sensor,H2S, 0-30 ppm .....	465.00
ES-K239B-CL2	Sensor, Chlorine (Cl2), 0 - 3.00 ppm, H2S resistant .....	465.00
ES-K239C-O3	Sensor, Ozone (O3) 0-1 ppm, new style, replaces ES-K239-O3.....	465.00
ES-K239CL-O3	Sensor,Ozone,0-1 PPM,new style,low humidity .....	465.00
ESM-011-CO	Sensor, Carbon Monoxide (CO), 0-75 ppm, ESM-01 plug-in diffusion type .....	195.00
ESM-017-H2S	Sensor, Hydrogen Sulfide (H2S), 0 - 30 ppm, ESM-01 plug-in diffusion type .....	195.00
ESM-01DH-ASH3	Sensor, Arsine (AsH3), 0 - 1.50 ppm, ESM-01 plug-in type .....	195.00
ESM-01DH-D-HCN	Sensor, Hydrogen Cyanide (HCN), 0 - 15 ppm, ESM-01 plug-in type .....	195.00
ESM-01DH-D-SO2	Sensor, Sulfur Dioxide (SO2), 0 - 6 ppm, ESM-01 plug-in type .....	195.00
ESM-01DH-F-SO2	Sensor, Sulfur Dioxide (SO2), 0 - 6 ppm, ESM-01 plug-in type .....	195.00
ESM-01DH-PH3	Sensor, Phosphine (PH3), 0 - 1.0 ppm, ESM-01 plug-in type .....	195.00
ESM-01DHL-HCN	Sensor, Hydrogen Cyanide (HCN), 0 - 15 ppm, ESM-01 plug-in type, for low humidity use .....	225.00
ESM-01R-D-NH3	Sensor, Ammonia (NH3), 0 - 75 ppm, ESM-01 plug-in type, for diffusion instruments .....	195.00
ESM-01R-NH3	Sensor, Ammonia (NH3), 0 - 75 ppm, ESM-01 plug-in type .....	195.00
ESM-23-CO	Sensor, Carbon Monoxide (CO), 0-150 ppm, for GD-K88Ai, GD-K71D, GD-K77D, and SC-8000 .....	480.00
ESM-238-SO2	Sensor, Sulfur Dioxide (SO2), 0-6 ppm, for GD-K71D, GD-K77D, and SC-8000.....	480.00
ESM-23A-NO	Sensor, Nitric Oxide (NO), 0-100 ppm, for GD-K88Ai, GD-K71D, GD-K77D, and SC-8000 .....	480.00
ESM-23AH-ASH3	Sensor, Arsine (AsH3), 0-1.0 ppm, for GD-K88Ai, GD-K71D, GD-K77D, and SC-8000 .....	480.00
ESM-23AH-H2S-01	Sensor, Hydrogen Sulfide (H2S), 0-1 ppm, for GD-K88Ai, GD-K71D or GD-K77D .....	480.00
ESM-23AH-NO2	Sensor, Nitrogen Dioxide (NO2), 0-15 ppm, for GD-K88Ai, GD-K71D, GD-K77D, and SC-8000 .....	480.00
ESM-23AH-NO2/NF	Sensor, Nitrogen Dioxide (NO2), 0-30 ppm, (for Nitrogen Trifluoride NF3, GD-K77DG-NF3) .....	480.00
ESM-23AH-PH3	Sensor, Phosphine (PH3), 0-1 ppm, for GD-K88Ai, GD-K71D, GD-K77D, and SC-8000 .....	480.00
ESM-23AH-SiH4	Sensor, Silane (SiH4), 0-15 ppm, low H2 response, for GD-K88Ai, GD-K71D, GD-K77D, and SC-8000 .....	480.00
ESM-23AHS-ASH3	Sensor, Arsine (AsH3), 0-0.2 ppm, for GD-K88Ai, GD-K71D, GD-K77D, and SC-8000 .....	480.00
ESM-23AHS-N-ASH	Sensor,ASH3,0-0.2 PPM,for GD-K77D/SC-8000, low H2 interference .....	480.00
ESM-23AYA-B2H6	Sensor,diborane,0-0.3 ppm,for GD-K77D (with ABP sensor cap) .....	480.00
ESM-23DH-GEH4	Sensor, Germane (GeH4), 0-0.8 ppm, for GD-K88Ai, GD-K71D, GD-K77D, and SC-8000 .....	480.00
ESM-23DH-H2O2	Sensor, Hydrogen Peroxide (H2O2), 0-3 ppm, for GD-K88Ai, GD-K71D, GD-K77D, and SC-8000 .....	480.00
ESM-23DH-H2O2-1	Sensor, Hydrogen Peroxide (H2O2), 0-0.500 ppm, for GD-K88Ai, GD-K71D, GD-K77D, and SC-8000 .....	480.00
ESM-23DH-HCN	Sensor, Hydrogen Cyanide (HCN), 0-15 ppm, for GD-K88Ai, GD-K71D, GD-K77D, and SC-8000 .....	480.00
ESM-23DH-MS	Sensor, Methyl Silane (CH3SiH3), 0-20 ppm, for GD-K88Ai, GD-K71D, GD-K77D, and SC-8000 .....	480.00
ESM-23DH-PH3	Sensor,PH3,0-1 PPM,for GD-K77D .....	480.00
ESM-23DH-Si2H6	Sensor, Disilane (Si2H6), 0-15 ppm, for GD-K88Ai, GD-K71D, GD-K77D, and SC-8000 .....	480.00
ESM-23DH-SiH4	Sensor, Silane (SiH4), 0-15 ppm, for GD-K88Ai, GD-K71D, GD-K77D, and SC-8000, with H2 response .....	480.00
ESM-23E-HBR	Sensor, Hydrogen Bromide (HBr), 0-9 ppm, for GD-K88Ai, GD-K71D or GD-K77D .....	480.00
ESM-23E-HCL	Sensor, Hydrogen Chloride (HCl), 0-15 ppm, (with H2 response) for GD-K88Ai, GD-K71D, GD-K77D, and SC-8000 .....	480.00
ESM-23E-HCL-05	Sensor,HCL,0-5 PPM,GD-K77D .....	480.00
ESM-23E-SO2	Sensor, Sulfur Dioxide (SO2), 0-30 ppm, for GD-K88Ai, GD-K71D, GD-K77D, and SC-8000.....	480.00
ESM-23R-NH3	Sensor, Ammonia (NH3), 0-75 ppm, for GD-K88Ai, GD-K71D, GD-K77D, and SC-8000 .....	480.00
ESM-23RH-NH3	Sensor, Ammonia (NH3), 0-75 ppm, for GD-K88Ai, GD-K71D, GD-K77D, and SC-8000, high humidity use .....	480.00
ESM-23RV-BTBAS	Sensor,BTBAS,0-15 PPM,GD-K77D .....	480.00
ESM-23RV-TEMAH	Sensor,TEMAH,0-15 PPM,GD-K77D .....	480.00

# Numerical Index

Part#	Description	Suggested Retail
ESM-23SD-H2SE	Sensor, Hydrogen Selenide (H2Se), 0-0.20 ppm, for GD-K8A	480.00
ESM-K01-CL2	Sensor, Chlorine (Cl2), 0 - 3 ppm, ESM-01 plug-in type	195.00
ESM-K01-D-CL2	Sensor, Chlorine (Cl2), 0 - 3 ppm, ESM-01 plug-in diffusion type	195.00
ESM-K233-ACET	Sensor,acetic acid (CH3COOH),0-30 ppm,for GD-K77D	480.00
ESM-K233-BR2	Sensor,Br2,0-1 PPM,for GD-K77D	480.00
ESM-K233-CL2	Sensor, Chlorine (Cl2), 0-3 ppm, for GD-K88Ai, GD-K71D, GD-K77D, and SC-8000	480.00
ESM-K233-F2	Sensor, Fluorine (F2), 0-3 ppm, for GD-K88Ai, GD-K71D, GD-K77D, and SC-8000	480.00
ESM-K233-HCL	Sensor, Hydrogen Chloride (HCl), 0-15 ppm, for GD-K88Ai, GD-K71D, GD-K77D, and SC-8000	480.00
ESM-K233-HF	Sensor, Hydrogen Fluoride (HF), 0-9 ppm, for GD-K88Ai, GD-K71D, GD-K77D, and SC-8000	480.00
ESM-K233-HNO3	Sensor,HNO3,0-20.0 PPM,for GD-K77D	480.00
ESM-K233-I2	Sensor,iodine (I2),0-1.00 PPM,for GD-K77D	480.00
ESM-K233CS-CLFC	Sensor, Chlorine Trifluoride (ClF3), 0-0.6 ppm, for GD-K88Ai, GD-K71D, GD-K77D, and SC-8000 (no acid gas sensitivity)	480.00
ESM-K235L-HCL-6	Sensor,HCL,0-6.00 PPM,for GD-K77D	480.00
ESM-K236-CLF3	Sensor,ClF3,0-0.300 PPM,for GD-K77D	480.00
ESM-K239C-O3	Sensor, Ozone (O3), 0-1.0 ppm, for GD-K88Ai, GD-K71D, GD-K77D, and SC-8000	480.00
ESM-K239C-O3-06	Sensor,Ozone,0-0.6 PPM,for GD-K77D (ESM-K239C-S-03)	480.00
ESM-K239CL-O3	Sensor,Ozone,0-1 PPM,for GD-K77D,low humidity	480.00
ESR-A13D-HCN	Sensor, Hydrogen Cyanide (HCN) 0-30 ppm for GX-3R Pro / SC-04	240.00
ESR-A13D-NO2	Sensor, Nitrogen Dioxide (NO2) 0-20 ppm for GX-3R Pro / SC-04	240.00
ESR-A13D-PH3	Sensor, Phosphine (PH3) 0-20.00 ppm for GX-3R Pro / SC-04	240.00
ESR-A13D-SO2	Sensor, Sulfur Dioxide (SO2) 0-100 ppm for GX-3R Pro/SC-04	240.00
ESR-A13I-H2S	Sensor, Hydrogen Sulfide (H2S) 0-200 ppm for GX-3R/GX-3R Pro/GasWatch 3	150.00
ESR-A13P-CO	Sensor, Carbon Monoxide (CO) 0-2000 ppm for GX-3R/GX-3R Pro/GasWatch 3	150.00
ESR-A1CP-CO-H	Sensor, Carbon Monoxide (CO) 0-2000 ppm with H2 compensation for GX-3R/GX-3R Pro/GasWatch 3/ 04 Series	240.00
ESR-A1DP-COHS	Sensor, CO/H2S combination, CO 0-2000 ppm, H2S 0-200 ppm for GX-3R / GX-3R Pro / GasWatch 3 / 04 Series	240.00
ESR-B134-NH3	Sensor, Ammonia (NH3) 0-400 ppm for GX-3R Pro / SC-04	240.00
ESR-B136-CL2	Sensor, Chlorine (Cl2) 0-10 ppm for GX-3R Pro / SC-04	240.00
ESR-B137-CL2	Sensor,CL2,ESR-A13D,for GX-3R Pro	240.00
ESR-X13P-OXY	Sensor, Oxygen (O2) 0-25% vol for GX-3R/GX-3R Pro	150.00
ESR-X13P2-OXY	Sensor,oxygen,EC,GasWatch 3	150.00
ESR-X1DP-CX	Sensor Combo, EC, Carbon Monoxide (CO) 0-300 ppm/Oxygen (O2) 0-25% vol. for GasWatch 3 and 04 Series	240.00
ESS-03DH-HCN	Sensor, Hydrogen Cyanide (HCN) 0 - 15 ppm for GX-6000	260.00
ESS-03DH-NO2	Sensor, Nitrogen Dioxide (NO2), 0 - 20 ppm for GX-6000	260.00
ESS-03DH-PH3	Sensor, Phosphine (PH3) 0 - 20 ppm for GX-6000	260.00
ESS-03DH-SO2	Sensor, Sulfur Dioxide (SO2) 0 - 100 ppm for GX-6000	260.00
ESS-A33E-MMH	Sensor,MMH (monomethylhydrazine),0 - 10.00 ppm,ESS plug-in type,GX-6000	380.00
ESS-B332-NH3	Sensor, Ammonia (NH3), 0-400 ppm for GX-6000	260.00
ESS-B335-CL2	Sensor, Chlorine (Cl2), 0-10 ppm for GX-6000	260.00
ESU-23-CO-150	Sensor, Carbon Monoxide (CO), 0-150 ppm, sensor/amp unit for GD-70D	495.00
ESU-231-CO-150	Sensor,CO(carbon monoxide),0-150 ppm,for GD-70D	495.00
ESU-231-CO-300	Sensor,CO(carbon monoxide),0-300 ppm,for GD-70D	495.00
ESU-231-CO-75	Sensor,CO(Carbon Monoxide),0- 75 ppm,for GD-70D	495.00
ESU-237-H2S	Sensor, Hydrogen Sulfide (H2S), 0-30 ppm, sensor/amp unit for GD-70D	495.00
ESU-237IF-COS	Sensor, Carbonyl Sulfide (COS), 0-15.0 ppm for TP-70DGI	495.00
ESU-237IF-H2S	Sensor, Hydrogen Sulfide (H2S), 0-1.0 ppm, sensor/amp unit for GD-70D	495.00
ESU-238-COS	Sensor,COS (carbonyl sulfide),0-90.0 PPM,for GD-70D	495.00
ESU-238-SO2	Sensor, Sulfur Dioxide (SO2), 0-6.0 ppm, sensor/amp unit for GD-70D	495.00
ESU-23A-NO	Sensor, Nitric Oxide (NO), 0-100 ppm, sensor/amp unit for GD-70D	495.00
ESU-23AH-D-NF3	Sensor, Nitrogen Trifluoride (NF3), 0-30 ppm, sensor/amp unit for GD-70D	495.00
ESU-23AH-NO2-09	Sensor, Nitrogen Dioxide (NO2), 0-9 ppm, sensor/amp unit for GD-70D	495.00
ESU-23AH-NO2-15	Sensor, Nitrogen Dioxide (NO2), 0-15 ppm, sensor/amp unit for GD-70D	495.00
ESU-23AH-PH3	Sensor, Phosphine (PH3), 0-1.0 ppm, sensor/amp unit for GD-70D (no H2 response)	495.00
ESU-23AH-SiH4	Sensor, Silane (SiH4), 0-15 ppm, sensor/amp unit for GD-70D (no H2 response)	495.00
ESU-23AHS-ASH3	Sensor, Arsine (AsH3), 0-0.20 ppm, sensor/amp unit for GD-70D	495.00
ESU-23AR-NO2-15	Sensor,NO2 (nitrogen dioxide),0-15 PPM,for GD-70D	495.00
ESU-23AY-B2H6	Sensor, Diborane (B2H6), 0-0.30 ppm, sensor/amp unit for GD-70D	495.00
ESU-23DH-GEH4	Sensor, Germane (GeH4), 0-0.80 ppm, sensor/amp unit for GD-70D	495.00

# Numerical Index

Part#	Description	Suggested Retail
ESU-23DH-H2O2	Sensor,H2O2, (hydrogen peroxide),0-3.00 PPM,for GD-70D .....	495.00
ESU-23DH-H2O2-1	Sensor,H2O2, (hydrogen peroxide),0-400 ppb,for GD-70D .....	495.00
ESU-23DH-HCN	Sensor, Hydrogen Cyanide (HCN), 0-15 ppm, sensor/amp unit for GD-70D .....	495.00
ESU-23DH-MS	Sensor,CH3SiH3 (methyl silane),0-20.0 PPM,for GD-70D .....	495.00
ESU-23DH-PH3	Sensor, Phosphine (PH3), 0-1.0 ppm, sensor/amp unit for GD-70D (with H2 response).....	495.00
ESU-23DH-SI2H6	Sensor, Disilane (Si2H6), 0-15 ppm, sensor/amp unit for GD-70D (with H2 response) .....	495.00
ESU-23DH-SIH4	Sensor, Silane (SiH4), 0-15 ppm, sensor/amp unit for GD-70D (with H2 response).....	495.00
ESU-23DH-TSA	Sensor, Trisilylamine (Si3H9N), 0-15.0 ppm for GD-70D .....	495.00
ESU-23DHF-H2	Sensor,H2 (hydrogen),0-2000 ppm,for GD-70D .....	495.00
ESU-23E-HBR-06	Sensor, Hydrogen Bromide (HBr), 0-6.00 ppm, sensor/amp unit for GD-70D .....	495.00
ESU-23E-HBR-09	Sensor, Hydrogen Bromide (HBr), 0-9.00 ppm, sensor/amp unit for GD-70D .....	495.00
ESU-23E-HBR-G-9	Sensor,HBR (hydrogen bromide),0-9.00 PPM,for GD-70D,with HCl conversion factor .....	495.00
ESU-23E-HCL-06	Sensor, Hydrogen Chloride (HCl), 0-6.00 ppm, sensor/amp unit for GD-70D .....	495.00
ESU-23E-HCL-15	Sensor, Hydrogen Chloride (HCl), 0-15 ppm, sensor/amp unit for GD-70D (standard range) .....	495.00
ESU-23E-N2H4	Sensor, Hydrazine (N2H4), 0-5.00 ppm, sensor/amp unit for GD-70D .....	495.00
ESU-23R-NH3	Sensor, Ammonia (NH3), 0-75 ppm, sensor/amp unit for GD-70D .....	495.00
ESU-23RV-BTBAS	Sensor,BTBAS ( ),0-15.00 PPM,for GD-70D .....	495.00
ESU-23RV-CH3NH2	Sensor, Methylamine (CH3NH2), 0-15 ppm, sensor/amp unit for GD-70D .....	495.00
ESU-23RV-DEA	Sensor, Diethylamine (C2H5)2NH, 0-15.00 ppm, sensor/amp unit for GD-70D .....	495.00
ESU-23RV-DMA	Sensor, Dimethylamine (CH3)2NH, 0-15.00 ppm, sensor/amp unit for GD-70D .....	495.00
ESU-23RV-TMA	Sensor, Trimethylamine ((CH3)3N), 0-15 ppm, sensor/amp unit for GD-70D .....	495.00
ESU-23RVM-DEA	Sensor,(C2H5)2NH, (diethylamine), 0.2-15.00 PPM,for GD-70D,low humidity type .....	495.00
ESU-23RVM-DMA	Sensor,(CH2)2NH, (dimethylamine), 0.9-15.00 PPM,for GD-70D,low humidity type .....	495.00
ESU-23SD-H2SE	Sensor, Hydrogen Selenide (H2Se), 0-0.20 ppm, sensor/amp unit for GD-70D .....	495.00
ESU-C23F-ASH3	Sensor,Ash3 (arsine),0-0.2 ppm,for GD-70D .....	495.00
ESU-C23F-S-ASH3	Sensor,Ash3 (arsine),0-50 ppb,for GD-70D .....	900.00
ESU-K233-ACET	Sensor,acetic acid (CH3COOH),0-30 ppm,for GD-70D .....	495.00
ESU-K233-BR2	Sensor, Bromine (Br2), 0-1.0 ppm, sensor/amp unit for GD-70D .....	495.00
ESU-K233-CL2	Sensor, Chlorine (Cl2), 0-3.0 ppm, sensor/amp unit for GD-70D .....	495.00
ESU-K233-F2	Sensor, Fluorine (F2), 0-3.0 ppm, sensor/amp unit for GD-70D .....	495.00
ESU-K233-HF-03	Sensor,HF (hydrogen fluoride),0.4-3.00 PPM,for GD-70D (ESU-K233-S-EX).....	495.00
ESU-K233-HF-09	Sensor, Hydrogen Fluoride (HF), 0-9.0 ppm, sensor/amp unit for GD-70D .....	495.00
ESU-K233-HNO3	Sensor, Nitric Acid (HNO3), 0-20.0 ppm, sensor/amp unit for GD-70D .....	495.00
ESU-K233CS-CLFA	Sensor, Chlorine Trifluoride (ClF3), 0-0.60 ppm, sensor/amp unit for GD-70D .....	495.00
ESU-K233CS-CLFC	Sensor,ClF3 (chlorine trifluoride),0-0.60 PPM,for GD-70D,C type.....	495.00
ESU-K233M-HCOOH	Sensor, Formic Acid (HCOOH), 0-15.0 ppm for GD-70D .....	495.00
ESU-K235-CL2-15	Sensor,Cl2 (chlorine),0-1.50 PPM,for GD-70D .....	495.00
ESU-K235-CL2100	Sensor,Cl2 (chlorine),0-10.0 PPM,for GD-70D .....	495.00
ESU-K235-HCL-06	Sensor,HCl (hydrogen chloride),0-6.0 PPM,for GD-70D .....	495.00
ESU-K235L-C4F6	Sensor, Hexafluorobutadiene (C4F6), 0-5.0 ppm for TP-70DII .....	495.00
ESU-K235L-C5F8	Sensor, Octafluorocyclopentene (C5F8), 0-5 ppm sensor/amp unit for GD-70D .....	495.00
ESU-K235L-HCL-6	Sensor,HCl (hydrogen chloride),0-6.0 PPM,for GD-70D,for low humidity use .....	495.00
ESU-K236L-CLF3	Sensor,ClF3 (chlorine trifluoride),0-0.300 ppm,for GD-70D .....	495.00
ESU-K239C-O3	Sensor,O3 (ozone),0-1.00 PPM,for GD-70D .....	495.00
ESU-K239C-S-O3	Sensor, Ozone (O3), 0-0.60 ppm, sensor/amp unit for GD-70D .....	495.00
ESU-K253-COF2	Sensor, Cobalt Difluorine (COF2), 0-6.00 ppm for GD-70D .....	495.00
ESU-X23-OXY	Smart transmitter, GD-70D for Oxygen (O2), 0-25% with EC sensor .....	595.00
FP-300	Model FP-300 paper tape machine .....	5,300.00
FP-300-H2S	FP-300 paper tape machine,0-100 ppb H2S,115 VAC .....	5,300.00
FP-300-NH3	FP-300 paper tape machine,0-4.00 ppm NH3,115 VAC .....	5,300.00
FP-300A-ASH3	Model FP-300 paper tape machine for Arsine AsH3, 0 - 150 ppb.....	5,600.00
FP-300A-BF3	Model FP-300 paper tape machine for Boron Trifluoride, 0 - 3 ppm .....	5,600.00
FP-300A-CLF3	Model FP-300A paper tape machine for 0-500 ppb ClF3 .....	5,600.00
FP-300A-HBR	Model FP-300 paper tape machine for Hydrogen Bromine HBr, 0 - 2 ppm .....	5,600.00
FP-300AGZS	Model FP-300 paper tape machine for C4F6/C5F8, 0 - 5.00 ppm.....	8,600.00
FP-301	Model FP-301 paper tape machine for high sensitivity .....	5,600.00
FP-301-ASH3	Model FP-300 paper tape machine for Arsine AsH3, 0 - 15 ppb .....	5,600.00
FP-330	Model FP-330 paper tape machine for formaldehyde .....	5,600.00
GD-1DOX	GD-1DOX oxygen detector head,explosion proof,with sample (suction) draw adapter .....	1,200.00
GD-1DOX-01	GD-1DOX oxygen detector head,explosion proof,w/sample (suction) draw adapter & GD-F44 adapter plate .....	1,280.00



# Numerical Index

Part#	Description	Suggested Retail
GD-10X	GD-10X oxygen detector head,explosioin proof,diffusion .....	1,100.00
GD-70D-ACET	Smart transmitter,GD-70D,CH3COOH (acetic acid),0-030 ppm .....	1,395.00
GD-70D-B2H6	Smart transmitter,GD-70D,B2H6 (diborane),0-0.30 ppm .....	1,395.00
GD-70D-BR2	Smart transmitter,GD-70D,Br2, (bromine),0-1.00 ppm .....	1,395.00
GD-70D-BRKT	Mounting bracket (back plate), complete w/connector,GD-70D,4-20 and EA types .....	125.00
GD-70D-BTBAS	Smart transmitter,GD-70D,BTBAS,0-15.0 ppm .....	1,395.00
GD-70D-CH3NH2	Smart transmitter,GD-70D,CH3NH2 ,(methylamine),0-15 ppm .....	1,395.00
GD-70D-CH4-20K	Smart transmitter,GD-70D,CH4(methane) 0-2% vol .....	1,395.00
GD-70D-CL2	Smart transmitter,GD-70D,Cl2 (chlorine),0-3.00 ppm .....	1,395.00
GD-70D-CL2-01	Smart transmitter,GD-70D,Cl2 (chlorine),0-1.50 ppm .....	1,395.00
GD-70D-CL2-02	Smart transmitter,GD-70D,Cl2 (chlorine),0-10.0 ppm .....	1,395.00
GD-70D-CLF3-A	Smart transmitter,GD-70D,ClF3, (chlorine trifluoride),0-0.60 ppm, w/A type sensor .....	1,395.00
GD-70D-CLF3-C	Smart transmitter,GD-70D,ClF3, (chlorine trifluoride),0-0.60 ppm, w/C type sensor .....	1,395.00
GD-70D-CO-01	Smart transmitter,GD-70D,CO (carbon monoxide),0-150 ppm w/ESU-23 sensor .....	1,395.00
GD-70D-CO-02	Smart transmitter,GD-70D,CO (carbon monoxide),0-75 ppm w/ESU-23 sensor .....	1,395.00
GD-70D-CO-03	Smart transmitter,GD-70D,CO (carbon monoxide),0-300 ppm w/ESU-23 sensor .....	1,395.00
GD-70D-CO-11	Smart transmitter,GD-70D,CO (carbon monoxide),0-150 ppm w/ESU-231 sensor .....	1,395.00
GD-70D-CO-12	Smart transmitter,GD-70D,CO (carbon monoxide),0-75 ppm w/ESU-231 sensor .....	1,395.00
GD-70D-CO-13	Smart transmitter,GD-70D,CO (carbon monoxide),0-300 ppm w/ESU-231 sensor .....	1,395.00
GD-70D-COF2	Smart transmitter,GD-70D,COF2 (carbonyl fluoride),0-6.00 ppm .....	1,395.00
GD-70D-DEA	Smart transmitter,GD-70D,(C2H5)2NH ,(diethylamine),0-15 ppm .....	1,395.00
GD-70D-DMA	Smart transmitter,GD-70D,(CH3)2NH ,(dimethylamine),0-15 ppm .....	1,395.00
GD-70D-F2	Smart transmitter,GD-70D,F2 (fluorine),0-3.00 ppm.....	1,395.00
GD-70D-GEH4	Smart transmitter,GD-70D,GeH4(germane),0-0.80 ppm .....	1,395.00
GD-70D-H2-20K	Smart transmitter,GD-70D,H2(hydrogen),0-2.00 %volume .....	1,395.00
GD-70D-H2O2	Smart transmitter, GD-70D for Hydrogen Peroxide, 0-3 ppm .....	1,395.00
GD-70D-H2O2-01	Smart transmitter,GD-70D,H2O2(hydrogen peroxide),0-400 ppb .....	1,395.00
GD-70D-H2S-01	Smart transmitter,GD-70D,H2S (hydrogen sulfide),0-1.00 ppm .....	1,395.00
GD-70D-H2S-30	Smart transmitter,GD-70D,H2S (hydrogen sulfide),0-30 ppm .....	1,395.00
GD-70D-H2SE	Smart transmitter,GD-70D,H2Se(hydrogen selenide),0-0.20 ppm .....	1,395.00
GD-70D-HBR-06	Smart transmitter,GD-70D,HBr(hydrogen bromide),0-6 ppm .....	1,395.00
GD-70D-HBR-09	Smart transmitter,GD-70D,HBr(hydrogen bromide),0-9 ppm .....	1,395.00
GD-70D-HCL-06E	Smart transmitter,GD-70D,HCl(hydrogen chloride),0-6 ppm,w/ESU-23E .....	1,395.00
GD-70D-HCL-06K5	Smart transmitter,GD-70D,HCl(hydrogen chloride),0-6 ppm,w/ESU-235 .....	1,395.00
GD-70D-HCL-15E	Smart transmitter,GD-70D,HCl(hydrogen chloride),0-15 ppm,w/ESU-23E .....	1,395.00
GD-70D-HCN	Smart transmitter,GD-70D,HCN(hydrogen cyanide),0-15 ppm .....	1,395.00
GD-70D-HCOOH	Smart transmitter,GD-70D,HCOOH (formic acid),0-15.0 ppm .....	1,395.00
GD-70D-HEX-2K	Smart transmitter,GD-70D,hexane,0-2000 ppm .....	1,395.00
GD-70D-HF-09	Smart transmitter,GD-70D,HF,(hydrogen fluoride),0-9.00 ppm .....	1,395.00
GD-70D-HNO3	Smart transmitter,GD-70D,HNO3(nitric acid),0-20.0 ppm .....	1,395.00
GD-70D-IRU-N20	Smart transmitter,GD-70D,N2O (nitrous oxide),0-500 ppm .....	3,750.00
GD-70D-LEL-C3H8	Smart transmitter,GD-70D,C3H8(propane),0-100 %LEL .....	1,295.00
GD-70D-LEL-CH4	Smart transmitter, GD-70D for Methane (CH4), 0-100% LEL .....	1,295.00
GD-70D-LEL-DME	Smart transmitter,GD-70D,C4H10O2(DME/dimethyl ether),0-100 %LEL.....	1,295.00
GD-70D-LEL-H2	Smart transmitter, GD-70D for Hydrogen (H2), 0-100% LEL.....	1,295.00
GD-70D-LEL-IPA	Smart transmitter,GD-70D,C3H8O (isopropyl alcohol),0-100 %LEL .....	1,295.00
GD-70D-LEL-ISOB	Smart transmitter,GD-70D,C4H10(isobutane),0-100 %LEL .....	1,295.00
GD-70D-MC2H2-2K	Smart transmitter,GD-70D,MOS sensor,C2H2(acytlyene),0-2,000 ppm .....	1,395.00
GD-70D-MC2H4-2K	Smart transmitter,GD-70D,MOS sensor,C2H4(ethylene),0-2,000 ppm.....	1,395.00
GD-70D-MC2H5OH	Smart transmitter,GD-70D,MOS sensor,C2H5OH(ethanol) 0-2000 ppm .....	1,395.00
GD-70D-MC3H6-5K	Smart transmitter,GD-70D,MOS sensor,C3H6(propylene) specific,0-5,000 ppm .....	1,395.00
GD-70D-MC3H8-2K	Smart transmitter,GD-70D,MOS sensor,C3H8(propane),0-2,000 ppm .....	1,395.00
GD-70D-MC3H8-5K	Smart transmitter,GD-70D,MOS sensor,C3H8(propane),0-5,000 ppm .....	1,395.00
GD-70D-MCH3CN	Smart transmitter,GD-70D,MOS sensor,CH3CN (acetonitrile) 0-2,000 ppm .....	1,395.00
GD-70D-MCH3OH-1	Smart transmitter,GD-70D,MOS sensor,CH3OH(methanol) 0-1,000 ppm .....	1,395.00
GD-70D-MCH3OH-2	Smart transmitter,GD-70D,MOS sensor,CH3OH(methanol) 0-2,000 ppm .....	1,395.00
GD-70D-MCH4-20K	Smart transmitter,GD-70D,MOS sensor,CH4(methane) 0-2% vol. ....	1,395.00
GD-70D-MCH4-2K	Smart transmitter,GD-70D,MOS sensor,CH4(methane) 0-2,000 ppm .....	1,395.00
GD-70D-MCH4-5K	Smart transmitter,GD-70D,MOS sensor,CH4(methane) 0-5,000 ppm .....	1,395.00
GD-70D-MCOS	Smart transmitter,GD-70D,MOS sensor,COD(carbonyl sulfide) 0-2,000 ppm .....	1,395.00
GD-70D-MDCE	Smart transmitter,GD-70D,MOS sensor,dichloroethene (C2H2Cl2) 0-600 ppm.....	1,395.00

# Numerical Index

Part#	Description	Suggested Retail
GD-70D-MDCM	Smart transmitter,GD-70D,MOS sensor,DCM(dichloromethane) 0-2000 ppm.	1,395.00
GD-70D-MH2-1K	Smart transmitter,GD-70D,MOS sensor,H2(hydrogen),0-1,000 ppm	1,395.00
GD-70D-MH2-20K	Smart transmitter,GD-70D,MOS sensor,H2(hydrogen),0-2.00%	1,395.00
GD-70D-MH2-500	Smart transmitter,GD-70D,MOS sensor,H2(hydrogen),0-500 ppm	1,395.00
GD-70D-MH2-S1K	Smart transmitter,GD-70D,MOS sensor,H2(hydrogen) specific,0-1,000 ppm	1,395.00
GD-70D-MH2-S2K	Smart transmitter,GD-70D,MOS sensor,H2(hydrogen) specific,0-2,000 ppm	1,395.00
GD-70D-MH2-S4K	Smart transmitter,GD-70D,MOS sensor,H2(hydrogen) specific,0-4,000 ppm	1,395.00
GD-70D-MH2-S500	Smart transmitter,GD-70D,MOS sensor,H2(hydrogen),specific,0-500 ppm	1,395.00
GD-70D-MIPA-2K	Smart transmitter,GD-70D,MOS sensor,IPA(isopropyl alcohol),0-2000 ppm	1,395.00
GD-70D-MR134A	Smart transmitter,GD-70D,MOS sensor,R134a(tetrafluoromethane) 0-5,000 ppm	1,395.00
GD-70D-MR152A	Smart transmitter,GD-70D,MOS sensor,R152(difluoroethane) 0-5,000 ppm	1,395.00
GD-70D-MR32	Smart transmitter,GD-70D,MOS sensor,R32(difluoromethane) 0-2,000 ppm	1,395.00
GD-70D-MR32-5K	Smart transmitter,GD-70D,MOS sensor,R32(difluoromethane) 0-5,000 ppm	1,395.00
GD-70D-MR41	Smart transmitter,GD-70D,MOS sensor,R41 (fluoromethane) 0-2,000 ppm	1,395.00
GD-70D-MS	Smart transmitter,GD-70D,CH3SiH3(methyl silane),0-20.0 ppm	1,395.00
GD-70D-MXX-XXX	Smart transmitter,GD-70D with metal oxide sensor, (specify gas & range)	1,395.00
GD-70D-N2H4	Smart transmitter,GD-70D,N2H4(hydrazine),0-5.00 ppm	1,395.00
GD-70D-NH3	Smart transmitter,GD-70D,NH3(ammonia),0-75 ppm	1,395.00
GD-70D-NO	Smart transmitter,GD-70D,NO(nitric oxide),0-100 ppm	1,395.00
GD-70D-NO2-09	Smart transmitter,GD-70D,NO2(nitrogen dioxide),0-9.0 ppm	1,395.00
GD-70D-NO2-15	Smart transmitter,GD-70D,NO2(nitrogen dioxide),0-15 ppm	1,395.00
GD-70D-NS	Smart transmitter, GD-70D toxic gas monitor with no sensor	900.00
GD-70D-O3	Smart transmitter,GD-70D,O3(ozone),0-0.6 ppm	1,395.00
GD-70D-O3-10	Smart transmitter,GD-70D,O3(ozone),0-1.00 ppm	1,395.00
GD-70D-OXY-05	GD-70D-OXY,Smart transmitter,GD-70D,O2(oxygen),0-5.00%	1,395.00
GD-70D-OXY-EC	Smart transmitter, GD-70D for Oxygen (O2), 0-25%	1,495.00
GD-70D-PH3-AH	Smart transmitter,GD-70D,PH3(phosphine),0-1.00 ppm,AH sensor.	1,395.00
GD-70D-PH3-DH	Smart transmitter,GD-70D,PH3(phosphine),0-1.00 ppm,DH sensor.	1,395.00
GD-70D-Si2H6	Smart transmitter,GD-70D,Si2H6(disilane),0-15 ppm	1,395.00
GD-70D-SiH4-AH	Smart transmitter,GD-70D,SiH4(silane),0-15 ppm, AH sensor	1,395.00
GD-70D-SiH4-DH	Smart transmitter,GD-70D,SiH4(silane),0-15 ppm, DH sensor	1,395.00
GD-70D-SO2	Smart transmitter, GD-70D for Sulfur Dioxide (SO2), 0-6.00 ppm	1,395.00
GD-70D-TMA	Smart transmitter,GD-70D,(CH3)3N(trimethylamine),0-15 ppm	1,395.00
GD-70D4A-ASH3	GD-70DS-AsH3,0-0.20 PPM arsine,in NEMA 4X housing,115/220VAC.	1,895.00
GD-70D4A-B2H6	GD-70D-B2H6,0-0.30 PPM diborane,in NEMA 4X housing,115/220VAC.	1,895.00
GD-70D4A-BR2	GD-70D-BR2,0-1.00 PPM bromine,in NEMA 4X housing,115/220VAC.	1,895.00
GD-70D4A-CH3NH2	GD-70D-CH3NH2,0-15.0 PPM methylamine,in NEMA 4X housing,115/220VAC.	1,895.00
GD-70D4A-CL2	GD-70D-Cl2,0-3.00 PPM chlorine,in NEMA 4X housing,115/220VAC.	1,895.00
GD-70D4A-CLF3-A	GD-70D-CIF3-A,0-0.60 PPM chlorine trifluoride,in NEMA 4X housing,115/220VAC.	1,895.00
GD-70D4A-CLF3-C	GD-70D-CIF3-C,0-0.60 PPM chlorine trifluoride,in NEMA 4X housing,115/220VAC.	1,895.00
GD-70D4A-CO-01	GD-70D-CO-01,0-150 PPM carbon monoxide,in NEMA 4X housing,115/220VAC.	1,895.00
GD-70D4A-CO-02	GD-70D-CO-02,0-75 PPM carbon monoxide,in NEMA 4X housing,115/220VAC.	1,895.00
GD-70D4A-CO-03	GD-70D-CO-03,0-300 PPM carbon monoxide,in NEMA 4X housing,115/220VAC.	1,895.00
GD-70D4A-CO-11	GD-70D-CO-11,0-150 PPM carbon monoxide,in NEMA 4X housing,115/220VAC.	1,895.00
GD-70D4A-CO-12	GD-70D-CO-12,0-75 PPM carbon monoxide,in NEMA 4X housing,115/220VAC.	1,895.00
GD-70D4A-CO-13	GD-70D-CO-13,0-300 PPM carbon monoxide,in NEMA 4X housing,115/220VAC.	1,895.00
GD-70D4A-DEA	GD-70D-DEA,0-15.0 PPM diethylamine,in NEMA 4X housing,115/220VAC.	1,895.00
GD-70D4A-DMA	GD-70D-DMA,0-15.0 PPM dimethylamine,in NEMA 4X housing,115/220VAC.	1,895.00
GD-70D4A-F2	GD-70D-F2,0-3.00 PPM fluorine,in NEMA 4X housing,115/220VAC.	1,895.00
GD-70D4A-GEH4	GD-70D-GEH4,0-0.80 PPM germane,in NEMA 4X housing,115/220VAC.	1,895.00
GD-70D4A-H2S-30	GD-70D-H2S,0-30.0 PPM hydrogen sulfide,in NEMA 4X housing,115/220VAC.	1,895.00
GD-70D4A-H2SE	GD-70D-H2SE,0-0.20 PPM hydrogen selenide,in NEMA 4X housing,115/220VAC.	1,895.00
GD-70D4A-HBR-06	GD-70D-HBR-06,0-6.00 PPM hydrogen bromide,in NEMA 4X housing,115/220VAC.	1,895.00
GD-70D4A-HBR-09	GD-70D-HBR-09,0-9.00 PPM hydrogen bromide,in NEMA 4X housing,115/220VAC.	1,895.00
GD-70D4A-HCL-06	GD-70D-HCL-06,0-6.00 PPM hydrogen chloride,in NEMA 4X housing,115/220VAC.	1,895.00
GD-70D4A-HCL-15	GD-70D-HCL-15,0-15.0 PPM hydrogen chloride,in NEMA 4X housing,115/220VAC.	1,895.00
GD-70D4A-HF-03	GD-70D-HF-03,0-3.00 PPM hydrogen fluoride,in NEMA 4X housing,115/220VAC.	1,895.00
GD-70D4A-HF-09	GD-70D-HF-09,0-9.00 PPM hydrogen fluoride,in NEMA 4X housing,115/220VAC.	1,895.00
GD-70D4A-LCH4	GD-70D-LEL-CH4 ,0-100% LEL methane in NEMA 4X housing,115/220 VAC.	1,795.00
GD-70D4A-LH2	GD-70D-H2-LEL ,0-100 %LEL hydrogen in NEMA 4X housing,115/220 VAC.	1,795.00
GD-70D4A-LH220K	GD-70D-H2-20K ,0-2.00% Vol hydrogen in NEMA 4X housing,115/220 VAC.	1,795.00

# Numerical Index

Part#	Description	Suggested Retail
GD-70D4A-LISOB	GD-70D-LEL-ISOB ,0-100% LEL isobutane in NEMA 4X housing,115/220 VAC. ....	1,795.00
GD-70D4A-MCH4-2	GD-70D-MCH4-2K ,0-2000 PPM methane, in NEMA 4X housing,115/220 VAC. ....	1,895.00
GD-70D4A-MCH4-5	GD-70D-MCH4-5K ,0-5000 PPM methane, in NEMA 4X housing,115/220 VAC. ....	1,895.00
GD-70D4A-MCH420	GD-70D-MCH4-20K ,0-2% vol methane, in NEMA 4X housing,115/220 VAC. ....	1,895.00
GD-70D4A-MCOS	GD-70D-MCOS ,0-2000 PPM carbonyl sulfide, in NEMA 4X housing,115/220 VAC. ....	1,895.00
GD-70D4A-MDCE	GD-70D-MDCE ,0-600 PPM dichloroethene, in NEMA 4X housing,115/220 VAC. ....	1,895.00
GD-70D4A-MDCM	GD-70D-MDCM ,0-2000 PPM dichloromethane, in NEMA 4X housing,115/220 VAC. ....	1,895.00
GD-70D4A-MH2-1K	GD-70D-MH2-1K ,0-1000 PPM hydrogen in NEMA 4X housing,115/220 VAC.....	1,895.00
GD-70D4A-MH2-20	GD-70D-MH2-20K ,0-2.00% Vol hydrogen in NEMA 4X housing,115/220 VAC. ....	1,895.00
GD-70D4A-MH21KS	GD-70D-MH2-S1K ,0-1000 PPM hydrogen,specific, in NEMA 4X housing,115/220 VAC.....	1,895.00
GD-70D4A-MH22KS	GD-70D-MH2-S2K ,0-2000 PPM hydrogen,specific, in NEMA 4X housing,115/220 VAC.....	1,895.00
GD-70D4A-MH2500	GD-70D-MH2-500 ,0-500 PPM hydrogen in NEMA 4X housing,115/220 VAC. ....	1,895.00
GD-70D4A-MH250S	GD-70D-MH2-S500 ,0-500 PPM hydrogen,specific, in NEMA 4X housing,115/220 VAC.....	1,895.00
GD-70D4A-MIPA	GD-70D-MIPA-2K ,0-2000 PPM isopropyl alcohol, in NEMA 4X housing,115/220 VAC. ....	1,895.00
GD-70D4A-MMA-1	GD-70D-MCH3OH-1,0-1000 PPM methanol,in NEMA 4X housing,115/220VAC.....	1,895.00
GD-70D4A-MMA-2	GD-70D-MCH3OH-2,0-2000 PPM methanol,in NEMA 4X housing,115/220VAC.....	1,895.00
GD-70D4A-MPRO2K	GD-70D-MC3H8-2K ,0-2000 PPM propane, in NEMA 4X housing,115/220 VAC. ....	1,895.00
GD-70D4A-MPRO5K	GD-70D-MC3H8-5K ,0-5000 PPM propane, in NEMA 4X housing,115/220 VAC. ....	1,895.00
GD-70D4A-MR32	GD-70D-MR32 ,0-2000 PPM R32, in NEMA 4X housing,115/220 VAC. ....	1,895.00
GD-70D4A-MR41	GD-70D-MR41 ,0-2000 PPM R41, in NEMA 4X housing,115/220 VAC. ....	1,895.00
GD-70D4A-NH3	GD-70D-NH3,0-75.0 PPM ammonia,in NEMA 4X housing,115/220VAC. ....	1,895.00
GD-70D4A-NO	GD-70D-NO,0-100 PPM nitric oxide,in NEMA 4X housing,115/220VAC. ....	1,895.00
GD-70D4A-NO2-09	GD-70D-NO2-09,0-9.00 PPM nitogen dioxide,in NEMA 4X housing,115/220VAC. ....	1,895.00
GD-70D4A-NO2-15	GD-70D-NO2-15,0-15.0 PPM nitogen dioxide,in NEMA 4X housing,115/220VAC. ....	1,895.00
GD-70D4A-O3	GD-70D-O3,0 - 0.60 ppm ozone,in NEMA 4X housing,115/220 VAC .....	1,895.00
GD-70D4A-OXY-EC	Smart transmitter, GD-70D, O2, 0-25% volume in NEMA 4X housing, 115/220 VAC, with EC sensor .....	1,995.00
GD-70D4A-PH3-AH	GD-70D-PH3-AH,0-1.00 PPM phosphine,in NEMA 4X housing,115/220VAC. ....	1,895.00
GD-70D4A-PH3-DH	GD-70D-PH3-DH,0-1.00 PPM phosphine,in NEMA 4X housing,115/220VAC. ....	1,895.00
GD-70D4A-SI2H6	GD-70D-SI2H6,0-15.0 PPM disilane,in NEMA 4X housing,115/220VAC. ....	1,895.00
GD-70D4A-SIH4-A	GD-70D-SIH4-AH,0-15.00 PPM silane,in NEMA 4X housing,115/220VAC. ....	1,895.00
GD-70D4A-SIH4-D	GD-70D-SIH4-DH,0-15.00 PPM silane,in NEMA 4X housing,115/220VAC. ....	1,895.00
GD-70D4A-SO2	GD-70D-SO2,0-6.00 PPM sulphur dioxide,in NEMA 4X housing,115/220VAC. ....	1,895.00
GD-70D4A-TMA	GD-70D-TMA,0-15.0 PPM trimethylamine,in NEMA 4X housing,115/220VAC. ....	1,895.00
GD-70D4H-CL2	GD-70D-CL2,0-3.00 ppm chlorine,in NEMA 4X housing,w/ horn/strobe,115/220VAC. ....	2,350.00
GD-70D4H-HCL15E	GD-70D-HCL-15E,0-15.0 ppm hydrogen chloride,in NEMA 4X housing,w/ horn/strobe,115/220VAC. ...	2,350.00
GD-70D4H-HCN	GD-70D-HCN,0-15.0 ppm hydrogen cyanide,in NEMA 4X housing,w/ horn/strobe,115/220VAC. ....	2,350.00
GD-70D4H-HF-09	GD-70D-HF-09,0-9.00 PPM hydrogen fluoride,in NEMA 4X housing,w/ horn/strobe,115/220VAC. ....	2,350.00
GD-70D4H-LEL-H2	GD-70D-LEL-H2,0-100 %LEL H2 (hydrogen),in NEMA 4X housing,w/ horn/strobe,115/220VAC. ....	2,350.00
GD-70D4H-NH3	GD-70D-NH3,0-75.0 ppm ammonia,in NEMA 4X housing,w/ horn/strobe,115/220VAC. ....	2,350.00
GD-70D4H-O3	GD-70D-O3,0-0.60 PPM ozone, in NEMA 4X housing,w/ horn/strobe,115/220VAC.....	2,350.00
GD-70D4H-OXY-EC	GD-70D,0-25% oxygen,in NEMA 4X housing,w/ horn/strobe,115/220VAC,with EC sensor .....	2,450.00
GD-70D4S-ASH3	GD-70DS-AsH3,0-0.20 PPM arsine,in NEMA 4X housing,W/strobe115/220VAC. ....	1,995.00
GD-70D4S-B2H6	GD-70D-B2H6,0-0.30 PPM diborane,in NEMA 4X housing,w/strobe,115/220VAC. ....	1,995.00
GD-70D4S-BR2	GD-70D-Br2,0-1.00 PPM bromine,in NEMA 4X housing,w/ strobe,115/220VAC.....	1,995.00
GD-70D4S-CH3NH2	GD-70D-CH3NH2,0-15.00 PPM methylamine,in NEMA 4X housing,w/ strobe,115/220VAC. ....	1,995.00
GD-70D4S-CL2	GD-70D-Cl2,0-3.00 PPM chlorine,in NEMA 4X housing,w strobe,115/220VAC. ....	1,995.00
GD-70D4S-CLF3-A	GD-70D-CIF3-A,0-0.60 PPM chlorine trifluoride,w/ strobe,in NEMA 4X housing,115/220VAC. ....	1,995.00
GD-70D4S-CLF3-C	GD-70D-CIF3-C,0- 0.60 PPM chlorine trifluoride,in NEMA 4X housing,w/ strobe,115/220VAC. ....	1,995.00
GD-70D4S-CO-01	GD-70D-CO-01,0-150 PPM carbon monoxide,in NEMA 4X housing,w/ strobe,115/220VAC. ....	1,995.00
GD-70D4S-CO-02	GD-70D-CO-02,0-75 PPM carbon monoxide,in NEMA 4X housing,w/ strobe,115/220VAC. ....	1,995.00
GD-70D4S-CO-03	GD-70D-CO-03,0-300 PPM carbon monoxide,in NEMA 4X housing,w/ strobe,115/220VAC. ....	1,995.00
GD-70D4S-CO-11	GD-70D-CO-11,0-150 PPM carbon monoxide,in NEMA 4X housing,w/ strobe,115/220VAC. ....	1,995.00
GD-70D4S-CO-12	GD-70D-CO-12,0-75 PPM carbon monoxide,in NEMA 4X housing,w/ strobe,115/220VAC. ....	1,995.00
GD-70D4S-CO-13	GD-70D-CO-13,0-300 PPM carbon monoxide,in NEMA 4X housing,w/ strobe,115/220VAC. ....	1,995.00
GD-70D4S-DEA	GD-70D-DEA,0-15.00 PPM diethylamine,in NEMA 4X housing,w/ strobe,115/220VAC. ....	1,995.00
GD-70D4S-DMA	GD-70D-DMA,0-15.00 PPM dimethylamine,in NEMA 4X housing,w/ strobe,115/220VAC.....	1,995.00
GD-70D4S-F2	GD-70D-F2,0-3.00 PPM fluorine,in NEMA 4X housing,w/ strobe,115/220VAC. ....	1,995.00
GD-70D4S-GEH4	GD-70D-GeH4,0-0.80 PPM germane,in NEMA 4X housing,w/ strobe,115/220VAC. ....	1,995.00
GD-70D4S-H2SE	GD-70D-H2Se,0-0.20 PPM hydrogen selenide,in NEMA 4X housing,w/ strobe,115/220VAC.....	1,995.00
GD-70D4S-HBR-06	GD-70D-HBr-06,0-6.00 PPM hydrogen bromide,in NEMA 4X housing,w/ strobe,115/220VAC. ....	1,995.00
GD-70D4S-HBR-09	GD-70D-HBR-09,0-9.00 PPM hydrogen bromide,in NEMA 4X housing,w/ strobe,115/220VAC.....	1,995.00

# Numerical Index

Part#	Description	Suggested Retail
GD-70D4S-HCL-06	GD-70D-HCL-06,0-6.00 PPM hydrogen chloride,in NEMA 4X housing,w/ strobe,115/220VAC. ....	1,995.00
GD-70D4S-HCL-15	GD-70D-HCL-15,0-15.00 PPM hydrogen chloride,in NEMA 4X housing,w/ strobe,115/220VAC.....	1,995.00
GD-70D4S-HF-03	GD-70D-HF-03,0-3.00 PPM hydrogen fluoride,in NEMA 4X housing w/strobe,115/220VAC. ....	1,995.00
GD-70D4S-HF-09	GD-70D-HF,0-9.00 PPM hydrogen fluoride,in NEMA 4X housing,w/ strobe,115/220VAC. ....	1,995.00
GD-70D4S-LCH4	GD-70D-LEL-CH4 ,0-100% LEL methane in NEMA 4X housing w/strobe,115/220 VAC. ....	1,895.00
GD-70D4S-LH2	GD-70D-LEL-H2 ,0-100% LEL hydrogen in NEMA 4X housing w/strobe,115/220 VAC. ....	1,895.00
GD-70D4S-LH220K	GD-70D-H2-20K ,0-2.00% vol hydrogen in NEMA 4X housing w/strobe,115/220 VAC. ....	1,895.00
GD-70D4S-LISOB	GD-70D-LEL-ISOB ,0-100% LEL isobutane in NEMA 4X housing w/strobe,115/220 VAC. ....	1,895.00
GD-70D4S-MCH4-2	GD-70D-MCH4-2K ,0-2000 PPM methane,in NEMA 4X housing w/strobe,115/220 VAC. ....	1,995.00
GD-70D4S-MCH4-5	GD-70D-MCH4-5K ,0-5000 PPM methane,in NEMA 4X housing w/strobe,115/220 VAC. ....	1,995.00
GD-70D4S-MCH420	GD-70D-MCH4-20K ,0-2% vol methane,in NEMA 4X housing w/strobe,115/220 VAC. ....	1,995.00
GD-70D4S-MCOS	GD-70D-MCOS ,0-2000 PPM carbonyl sulfide,in NEMA 4X housing w/strobe,115/220 VAC. ....	1,995.00
GD-70D4S-MDCE	GD-70D-MDCE ,0-600 PPM dichloroethene,in NEMA 4X housing w/strobe,115/220 VAC.....	1,995.00
GD-70D4S-MDCM	GD-70D-MDCM ,0-2000 PPM dichloromethane,in NEMA 4X housing w/strobe,115/220 VAC. ....	1,995.00
GD-70D4S-MH2-1K	GD-70D-MH2-1K ,0-1000 PPM hydrogen in NEMA 4X housing w/strobe,115/220 VAC.....	1,995.00
GD-70D4S-MH2-20	GD-70D-MH2-20K ,0-2.00% Vol hydrogen in NEMA 4X housing w/strobe,115/220 VAC. ....	1,995.00
GD-70D4S-MH21KS	GD-70D-MH2-S1K ,0-1000 PPM hydrogen,specific,in NEMA 4X housing w/strobe,115/220 VAC. ....	1,995.00
GD-70D4S-MH22KS	GD-70D-MH2-S2K ,0-2000 PPM hydrogen,specific,in NEMA 4X housing w/strobe,115/220 VAC. ....	1,995.00
GD-70D4S-MH2500	GD-70D-MH2-500 ,0-500 PPM hydrogen in NEMA 4X housing w/strobe,115/220 VAC.....	1,995.00
GD-70D4S-MH250S	GD-70D-MH2-S500 ,0-500 PPM hydrogen,specific, in NEMA 4X housing w/strobe,115/220 VAC.....	1,995.00
GD-70D4S-MIPA	GD-70D-MIPA-2K ,0-2000 PPM isopropyl alcohol,in NEMA 4X housing w/strobe,115/220 VAC. ....	1,995.00
GD-70D4S-MMA-1	GD-70D-MCH3OH-1,0-1000 PPM methanol,in NEMA 4X housing,w/ strobe,115/220VAC. ....	1,995.00
GD-70D4S-MMA-2	GD-70D-MCH3OH-2,0-2000 PPM methanol,in NEMA 4X housing,w/ strobe,115/220VAC. ....	1,995.00
GD-70D4S-MPRO2K	GD-70D-MC3H8-2K ,0-2000 PPM propane,in NEMA 4X housing w/strobe,115/220 VAC. ....	1,995.00
GD-70D4S-MPRO5K	GD-70D-MC3H8-5K ,0-5000 PPM propane,in NEMA 4X housing w/strobe,115/220 VAC. ....	1,995.00
GD-70D4S-MR32	GD-70D-MR32 ,0-2000 PPM R32,in NEMA 4X housing w/strobe,115/220 VAC. ....	1,995.00
GD-70D4S-MR41	GD-70D-MR41 ,0-2000 PPM R41,in NEMA 4X housing w/strobe,115/220 VAC. ....	1,995.00
GD-70D4S-NH3	GD-70D-NH3,0-75 PPM ammonia,in NEMA 4X housing,w/ strobe,115/220VAC. ....	1,995.00
GD-70D4S-NO	GD-70D-NO,0-100 PPM nitric oxide,in NEMA 4X housing,w/ strobe,115/220VAC. ....	1,995.00
GD-70D4S-NO2-09	GD-70D-NO2-09,0-9.0 PPM nitrogen dioxide,in NEMA 4X housing,w/ strobe,115/220VAC. ....	1,995.00
GD-70D4S-NO2-15	GD-70D-NO2-15,0-15.0 PPM nitrogen dioxide,in NEMA 4X housing,w/ strobe,115/220VAC. ....	1,995.00
GD-70D4S-O3	GD-70D-O3,0 - 0.60 ppm ozone,in NEMA 4X housing w/amber strobe,115/220 VAC. ....	1,995.00
GD-70D4S-OXY-EC	Smart transmitter, GD-70D, O2, 0-25% volume in NEMA 4X housing with strobe, 115/220 VAC. with EC sensor .....	2,095.00
GD-70D4S-PH3-AH	GD-70D-PH3-AH,0-1.00 PPM phosphine,in NEMA 4X housing,w/ strobe,115/220VAC. ....	1,995.00
GD-70D4S-PH3-DH	GD-70D-PH3-DH,0-1.00 PPM phosphine,in NEMA 4X housing,w/ strobe,115/220VAC. ....	1,995.00
GD-70D4S-Si2H6	GD-70D-Si2H6,0-15.00 PPM disilane,in NEMA 4X housing,w/ strobe,115/220VAC. ....	1,995.00
GD-70D4S-SiH4-A	GD-70D-SiH4-AH,0-15.00 PPM silane,in NEMA 4X housing,w/ strobe,115/220VAC. ....	1,995.00
GD-70D4S-SiH4-D	GD-70D-SiH4-DH,0-15.00 PPM silane,in NEMA 4X housing,w/ strobe,115/220VAC. ....	1,995.00
GD-70D4S-SO2	GD-70D-SO2,0-6.00 PPM sulphur dioxide,in NEMA 4X housing,w/ strobe,115/220VAC. ....	1,995.00
GD-70D4S-TMA	GD-70D-TMA,0-15.00 PPM trimethylamine,in NEMA 4X housing,w/ strobe,115/220VAC. ....	1,995.00
GD-70D4X-ASH3	Smart transmitter,GD-70DS,AsH3,0-15 ppm,in NEMA 4X housing .....	1,795.00
GD-70D4X-B2H6	Smart transmitter,GD-70D,B2H6,0-.30 ppm,in NEMA 4X housing .....	1,795.00
GD-70D4X-BR2	Smart transmitter,GD-70D,Br2,0-1.00 ppm,in NEMA 4X housing.....	1,795.00
GD-70D4X-CH3NH2	Smart transmitter,GD-70D,CH3NH2,0-15.0 ppm,in NEMA 4X housing .....	1,795.00
GD-70D4X-CL2	Smart transmitter,GD-70D,CL2,0-3.00 ppm,in NEMA 4X housing .....	1,795.00
GD-70D4X-CLF3-A	Smart transmitter,GD-70D,CLF3,0-0.60 ppm,in NEMA 4X housing .....	1,795.00
GD-70D4X-CLF3-C	Smart transmitter,GD-70D,CLF3,0-0.60 ppm,in NEMA 4X housing .....	1,795.00
GD-70D4X-CO-01	Smart transmitter,GD-70D,CO,0-150 ppm,in NEMA 4X housing .....	1,795.00
GD-70D4X-CO-02	Smart transmitter,GD-70D,CO,0-75 ppm,in NEMA 4X housing .....	1,795.00
GD-70D4X-CO-03	Smart transmitter,GD-70D,CO,0-300 ppm,in NEMA 4X housing .....	1,795.00
GD-70D4X-CO-11	Smart transmitter,GD-70D,CO,0-150 ppm,in NEMA 4X housing .....	1,795.00
GD-70D4X-CO-12	Smart transmitter,GD-70D,CO,0-75 ppm,in NEMA 4X housing .....	1,795.00
GD-70D4X-CO-13	Smart transmitter,GD-70D,CO,0-300 ppm,in NEMA 4X housing .....	1,795.00
GD-70D4X-DEA	Smart transmitter,GD-70D,(C2H5)2NH,0-15.0 ppm,in NEMA 4X housing .....	1,795.00
GD-70D4X-DMA	Smart transmitter,GD-70D,(CH3)2NH,0-15.0 ppm,in NEMA 4X housing .....	1,795.00
GD-70D4X-F2	Smart transmitter,GD-70D,F2,0-3.00 ppm,in NEMA 4X housing .....	1,795.00
GD-70D4X-GEH4	Smart transmitter,GD-70D,GeH4,0-0.80 ppm,in NEMA 4X housing.....	1,795.00
GD-70D4X-H2O2	Smart transmitter,GD-70D,H2O2,0-3.00 ppm,in NEMA 4X housing.....	1,795.00
GD-70D4X-H2O2-1	Smart transmitter,GD-70D,H2O2,0-500 ppb,in NEMA 4X housing .....	1,795.00
GD-70D4X-H2S-01	Smart transmitter,GD-70D,H2S,0-1.00 ppm,in NEMA 4X housing .....	1,795.00

# Numerical Index

Part#	Description	Suggested Retail
GD-70D4X-H2S-30	Smart transmitter,GD-70D,H2S,0-30 ppm,in NEMA 4X housing .....	1,795.00
GD-70D4X-H2SE	Smart transmitter,GD-70D,CH2Se,0-6.0 ppm,in NEMA 4X housing .....	1,795.00
GD-70D4X-HBR-06	Smart transmitter,GD-70D,HBr,0-6.0 ppm,in NEMA 4X housing .....	1,795.00
GD-70D4X-HBR-09	Smart transmitter,GD-70D,HBr,0-9.0 ppm,in NEMA 4X housing .....	1,795.00
GD-70D4X-HCL-06	Smart transmitter,GD-70D,HCl,0-6.0 ppm,in NEMA 4X housing .....	1,795.00
GD-70D4X-HCL-15	Smart transmitter,GD-70D,HCL,0-15.0 ppm,in NEMA 4X housing .....	1,795.00
GD-70D4X-HCN	Smart transmitter,GD-70D,HCN,0-15.0 ppm,in NEMA 4X housing .....	1,795.00
GD-70D4X-HF-03	Smart transmitter,GD-70D,HF,0-3.00 ppm,in NEMA 4X housing .....	1,795.00
GD-70D4X-HF-09	Smart transmitter,GD-70D,HF,0-9.0 ppm,in NEMA 4X housing .....	1,795.00
GD-70D4X-HNO3	Smart transmitter,GD-70D,HNO3,0-20.0 ppm,in NEMA 4X housing .....	1,795.00
GD-70D4X-LC7H8	Smart transmitter,GD-70D,C7H8 (toluene),0-100% LEL,in NEMA 4X housing .....	1,795.00
GD-70D4X-LCH4	Smart transmitter,GD-70D,CH4,0-100 %LEL,in NEMA 4X housing .....	1,695.00
GD-70D4X-LH2	Smart transmitter,GD-70D,H2,0-100 %LEL,in NEMA 4X housing .....	1,695.00
GD-70D4X-LH220K	Smart transmitter,GD-70D,H2,0-2.00 %volume,in NEMA 4X housing .....	1,695.00
GD-70D4X-LISOB	Smart transmitter,GD-70D,isobutane,0-100% LEL,in NEMA 4X housing .....	1,695.00
GD-70D4X-MCH4-2	Smart transmitter,GD-70D,CH4,0-2000 ppm,in NEMA 4X housing .....	1,795.00
GD-70D4X-MCH4-5	Smart transmitter,GD-70D,CH4,0-5000 ppm,in NEMA 4X housing .....	1,795.00
GD-70D4X-MCH420	Smart transmitter,GD-70D,CH4,0-2% vol,in NEMA 4X housing .....	1,795.00
GD-70D4X-MCOS	Smart transmitter,GD-70D,carbonyl sulfide,0-2000 ppm,in NEMA 4X housing .....	1,795.00
GD-70D4X-MDCE	Smart transmitter,GD-70D,dichloroethene,0-600 ppm,in NEMA 4X housing .....	1,795.00
GD-70D4X-MDCM	Smart transmitter,GD-70D,dichloromethane,0-2000 ppm,in NEMA 4X housing .....	1,795.00
GD-70D4X-MH2-1K	Smart transmitter,GD-70D,H2,0-1000 PPM,in NEMA 4X housing .....	1,795.00
GD-70D4X-MH2-20	Smart transmitter,GD-70D,H2,0-2.00%,in NEMA 4X housing .....	1,795.00
GD-70D4X-MH21KS	Smart transmitter,GD-70D,H2,specific,0-1000 PPM,in NEMA 4X housing .....	1,795.00
GD-70D4X-MH22KS	Smart transmitter,GD-70D,H2,specific,0-2000 PPM,in NEMA 4X housing .....	1,795.00
GD-70D4X-MH2500	Smart transmitter,GD-70D,H2,0-500 PPM,in NEMA 4X housing .....	1,795.00
GD-70D4X-MH250S	Smart transmitter,GD-70D,H2,specific,0-500 PPM,in NEMA 4X housing .....	1,795.00
GD-70D4X-MIPA	Smart transmitter,GD-70D,IPA,0-2000 ppm,in NEMA 4X housing .....	1,795.00
GD-70D4X-MMA-1	Smart transmitter,GD-70D,CH3OH,0-1000 ppm,in NEMA 4X housing .....	1,795.00
GD-70D4X-MMA-2	Smart transmitter,GD-70D,CH3OH,0-2000 ppm,in NEMA 4X housing .....	1,795.00
GD-70D4X-MPRO2K	Smart transmitter,GD-70D,C3H8,0-2000 PPM,in NEMA 4X housing .....	1,795.00
GD-70D4X-MPRO5K	Smart transmitter,GD-70D,C3H8,0-5000 PPM,in NEMA 4X housing .....	1,795.00
GD-70D4X-MR32	Smart transmitter,GD-70D,R32,0-2000 ppm,in NEMA 4X housing .....	1,795.00
GD-70D4X-MR41	Smart transmitter,GD-70D,R41,0-2000 ppm,in NEMA 4X housing .....	1,795.00
GD-70D4X-NH3	Smart transmitter,GD-70D,NH3,0-75 ppm,in NEMA 4X housing .....	1,795.00
GD-70D4X-NO	Smart transmitter,GD-70D,NO,0-100 ppm,in NEMA 4X housing .....	1,795.00
GD-70D4X-NO2-09	Smart transmitter,GD-70D,NO2,0-9.0 ppm,in NEMA 4X housing .....	1,795.00
GD-70D4X-NO2-15	Smart transmitter,GD-70D,NO2,0-15 ppm,in NEMA 4X housing .....	1,795.00
GD-70D4X-NS	Smart transmitter,GD-70D,in NEMA 4X housing,w/out sensor .....	1,300.00
GD-70D4X-NST	Smart transmitter,GD-70D,in NEMA 4X housing,w/out sensor/transmitter .....	500.00
GD-70D4X-O3	Smart transmitter,GD-70D,O3,0-0.60 ppm,in NEMA 4X housing .....	1,795.00
GD-70D4X-OXY-EC	Smart transmitter, GD-70D, O2, 0-25% volume in NEMA 4X housing, with EC sensor .....	1,895.00
GD-70D4X-PH3-AH	Smart transmitter,GD-70D,PH3,0-1.00 ppm,in NEMA 4X housing .....	1,795.00
GD-70D4X-PH3-DH	Smart transmitter,GD-70D,PH3,0-1.00 ppm,in NEMA 4X housing .....	1,795.00
GD-70D4X-Si2H6	Smart transmitter,GD-70D,Si2H6,0-15 ppm,in NEMA 4X housing .....	1,795.00
GD-70D4X-SiH4-A	Smart transmitter,GD-70D,SiH4,0-15 ppm,in NEMA 4X housing .....	1,795.00
GD-70D4X-SiH4-D	Smart transmitter,GD-70D,SiH4,0-15 ppm,in NEMA 4X housing .....	1,795.00
GD-70D4X-SO2	Smart transmitter,GD-70D,SO2,0-6.00 ppm,in NEMA 4X housing .....	1,795.00
GD-70D4X-TMA	Smart transmitter,GD-70D,(CH3)3N,0-15 ppm,in NEMA 4X housing .....	1,795.00
GD-70DEA-CLF3	Smart transmitter,GD-70D,CLF3(chlorine trifluoride),0-0.30 ppm,w/ethernet & 4-20 mA outputs .....	1,695.00
GD-70DEA-CO-01	Smart transmitter,GD-70D,CO (carbon monoxide),0-150 ppm w/ESU-23 sensor,w/ethernet & 4-20 mA outputs.....	1,695.00
GD-70DEA-CO-03	Smart transmitter,GD-70D,CO (carbon monoxide),0-300 ppm w/ESU-23 sensor,w/ethernet & 4-20 out	1,695.00
GD-70DEA-CO-04	Smart transmitter,GD-70D,CO(carbon monoxide),0-150 ppm w/ESU-23 sensor,EA type,for 1/4 x 5/32 tubing .....	1,695.00
GD-70DEA-CO-11	Smart transmitter,GD-70D,CO (carbon monoxide),0-150 ppm,ESU-231 sensor,w/ethernet & 4-20 mA outputs .....	1,695.00
GD-70DEA-HCOOH	Smart transmitter,GD-70D,HCOOH (formic acid),0-15.0 ppm,w/ethernet & 4-20 mA outputs .....	1,695.00
GD-70DEA-HCOOH1	Smart transmitter,GD-70D,HCOOH (formic acid),0-15.0 ppm,EA type,for 1/4 x 5/32 tubing .....	1,695.00
GD-70DEA-LEL-H2	Smart transmitter,GD-70D,H2,0-100% LEL,w/ethernet & 4-20 mA outputs .....	1,595.00
GD-70DEA-LEL-HS	Smart transmitter,GD-70D,H2 specific,0-100% LEL,w/ethernet & 4-20 mA outputs .....	1,595.00

# Numerical Index

Part#	Description	Suggested Retail
GD-70DEA-MC4F6A	Smart transmitter,GD-70D,MOS sensor,hexafluorabutadiene,0-200 ppm,w/ethernet & 4-20 mA out	1,695.00
GD-70DEA-N2H4	Smart transmitter,GD-70D,N2H4 (hydrazine) 0-5.00 ppm,w/ethernet & 4-20 mA outputs	1,695.00
GD-70DEA-NH3	Smart transmitter,GD-70D,NH3 (ammonia),0-75.0 ppm,w/ethernet & 4-20 mA outputs	1,695.00
GD-70DEA-NO2-15	Smart transmitter,GD-70D,NO2 (nitrogen dioxide),0-15.0 ppm,w/ethernet & 4-20 mA outputs	1,695.00
GD-70DEA-NS	Smart transmitter,GD-70D w/o sensor/amp unit,w/ethernet & mA outputs,with cable gland	1,200.00
GD-70DEA-O3	Smart transmitter,GD-70D,O3(ozone),0-0.60 ppm,w/ethernet & 4-20 mA outputs	1,695.00
GD-70DEA-O3-10	Smart transmitter,GD-70D,O3(ozone),0-1.00 ppm,w/ethernet & 4-20 mA outputs	1,695.00
GD-70DEA-OXY-EC	Smart transmitter, GD-70D, O2 0-25% volume with ethernet & 4-20 mA outputs, with EC sensor	1,795.00
GD-70DLN-B2H6	Smart transmitter,GD-70D,B2H6 (diborane),0-0.30 ppm,Lonworks type	1,750.00
GD-70DLN-BCL315	Smart transmitter,GD-70D,BCl3 (boron trichloride),0-15.0 ppm,Lonworks type	1,750.00
GD-70DLN-BRKT	Mounting bracket (back plate), complete w/connector,GD-70DLN	200.00
GD-70DLN-CH4-20	Smart transmitter,GD-70D,CH4(methane) 0-2% volume,Lonworks type	1,650.00
GD-70DLN-CL2	Smart transmitter,GD-70D,Cl2(Chlorine),0-3.00 ppm,Lonworks type	1,750.00
GD-70DLN-CLF3-A	Smart transmitter,GD-70D,ClF3, (chlorine trifluoride),0-0.60 ppm, w/A type sensor,Lonworks	1,750.00
GD-70DLN-CLF3-C	Smart transmitter,GD-70D,ClF3, (chlorine trifluoride),0-0.60 ppm, w/C type sensor,Lonworks	1,750.00
GD-70DLN-CO-01	Smart transmitter,GD-70D,CO (carbon monoxide),0-150 ppm w/ESU-23 sensor,Lonworks type	1,750.00
GD-70DLN-DCS	Smart transmitter,GD-70D,DCS(dichlorsilane),0-15 ppm,Lonworks type	1,750.00
GD-70DLN-DEA	Smart transmitter,GD-70D,(C2H5)2NH (diethylamine),0-15 ppm,Lonworks type	1,750.00
GD-70DLN-F2	Smart transmitter,GD-70D,F2 (fluorine),0-3.00 ppm,Lonworks type	1,750.00
GD-70DLN-GEH4	Smart transmitter,GD-70D,GeH4(germane),0-0.80 ppm	1,750.00
GD-70DLN-HCL06E	Smart transmitter,GD-70D,HCl(hydrogen chloride),0-6 ppm,Lonworks type	1,750.00
GD-70DLN-HCL15E	Smart transmitter,GD-70D,HCl(hydrogen chloride),0-15 ppm,Lonworks type	1,750.00
GD-70DLN-HF-09	Smart transmitter,GD-70D,HF,(hydrogen fluoride),0-9 ppm,Lonworks type	1,750.00
GD-70DLN-LEL-CH4	Smart transmitter, GD-70D for Methane (CH4), 0-100% LEL with LonWorks	1,650.00
GD-70DLN-LEL-H2	Smart transmitter, GD-70D for Hydrogen (H2), 0-100% LEL with LonWorks	1,650.00
GD-70DLN-MC2H22	Smart transmitter,GD-70D,MOS sensor,C2H2(acetylene),0-2,000 ppm,Lonworks type	1,750.00
GD-70DLN-MC2H42	Smart transmitter,GD-70D,MOS sensor,C2H4(ethylene),0-2,000 ppm,Lonworks type	1,750.00
GD-70DLN-MCH420	Smart transmitter,GD-70D,MOS sensor,CH4(methane) 0-2% volume,Lonworks type	1,750.00
GD-70DLN-MCH45K	Smart transmitter,GD-70D,MOS sensor,CH4(methane) 0-5000 ppm volume,Lonworks type	1,750.00
GD-70DLN-MH2-S4	Smart transmitter,GD-70D,H2(hydrogen) specific,0-4000 ppm,Lonworks type	1,750.00
GD-70DLN-MIPA2K	Smart transmitter,GD-70D,MOS sensor,IPA(isopropyl alcohol) 0-2000 ppm,Lonworks type, with SGU-8521	1,750.00
GD-70DLN-MOS	Smart transmitter, GD-70D with MOS sensor, (specify gas & range), with LonWorks	1,750.00
GD-70DLN-MPRO2	Smart transmitter,GD-70D,MOS sensor,C3H6(propylene) 0-2000 ppm,Lonworks type,with SGU-8521	1,750.00
GD-70DLN-MR329K	Smart transmitter,GD-70D,CH2F2(difluoromethane),0-9000 ppm,Lonworks type	1,750.00
GD-70DLN-NH3	Smart transmitter,GD-70D,NH3(ammonia),0-75 ppm,Lonworks type	1,750.00
GD-70DLN-NO2-15	Smart transmitter,GD-70D,NO2(nitrogen dioxide),0-15 ppm,Lonworks type	1,750.00
GD-70DLN-NS	Smart transmitter,GD-70D w/o sensor/amp unit, with cable gland,Lonworks	1,255.00
GD-70DLN-O3	Smart transmitter,GD-70D,O3(ozone),0-0.6 ppm,Lonworks type	1,750.00
GD-70DLN-O3-10	Smart transmitter,GD-70D,O3(ozone),0-1.00 ppm,Lonworks type	1,750.00
GD-70DLN-PH3-DH	Smart transmitter,GD-70D,PH3(phosphine),0-1.00 ppm,DH sensor,Lonworks type	1,750.00
GD-70DLN-SICL4	Smart transmitter,GD-70D,SiCl4 (silicon tetrachloride),0-15 ppm,Lonworks type	1,750.00
GD-70DLN-SIH4-A	Smart transmitter,GD-70D,SiH4(silane),0-15 ppm, AH sensor,Lonworks type	1,750.00
GD-70DLN-SIH4-D	Smart transmitter,GD-70D,SiH4(silane),0-15 ppm, DH sensor,Lonworks type	1,750.00
GD-70DLN-SO2	Smart transmitter,GD-70D,SO2(Sulfur Dioxide),0-6.00 ppm,Lonworks type	1,750.00
GD-70DLN-TSA	Smart transmitter,GD-70D,Si3H9N(trisilylamine),0-15 ppm,Lonworks type	1,750.00
GD-70DP-COS	Smart transmitterw/pyrolyzer,GD-70D,COS(carbonyl sulfide),0-90 ppm	2,145.00
GD-70DP-NF3	Smart transmitter, GD-70D for Nitrogen Trifluoride (NF3), 0-30 ppm, includes pyrolyzer	2,145.00
GD-70DP-TEB	Smart transmitter w/pyrolyzer,GD-70D,TEB(triethylborane) 0-1000 ppm	2,145.00
GD-70DP-TEOS	Smart transmitter, GD-70D for TEOS, 0-15 ppm, includes pyrolyzer	2,145.00
GD-70DP-TMB	Smart transmitter w/pyrolyzer,GD-70D,TMB(trimethoxy borane) 0-1000 ppm.	2,145.00
GD-70DP-TMOS	Smart transmitter w/pyrolyzer,GD-70D,TMOS(tetramethoxysilane),0-15.0 ppm.	2,145.00
GD-70DPLN-3MS	GD-70DPLN-3MS-1,Smart transmitter,GD-70D,3MS(trimethyl silane),0-15 ppm,Lonworks type	2,500.00
GD-70DPLN-3MS-1	Smart transmitter,GD-70D,3MS(trimethyl silane),0-15 ppm,Lonworks type,no pyrolyzer bypass	2,500.00
GD-70DPLN-NF3	Smart transmitter, GD-70D for Nitrogen Trifluoride, 0-30 ppm, includes pyrolyzer, with LonWorks	2,500.00
GD-70DPLN-TEOS	Smart transmitter, GD-70D for TEOS, 0-15 ppm, includes pyrolyzer, with LonWorks	2,500.00
GD-70DPLN-TMS	Smart transmitter,GD-70D,TMS(tetramethyl silane),0-15 ppm,Lonworks type	2,500.00
GD-70DS-ASH3	Smart transmitter,GD-70D,AsH3 (arsine),0-0.2 ppm	1,395.00
GD-70DS-ASH3-50	Smart transmitter,GD-70D,AsH3 (arsine),0-50 ppb	1,795.00
GD-70DSEA-ASH3	Smart transmitter,GD-70D,AsH3 (arsine),0-0.2 ppm,with ethernet and 4-20 outputs	1,695.00
GD-A80-01	Diffusion detector assembly, model GD-A80, 0 - 100% LEL methane, explosion proof	575.00

# Numerical Index

Part#	Description	Suggested Retail
GD-A80-02	Diffusion detector assembly, model GD-A80, 0 - 100% LEL hexane, explosion proof	575.00
GD-A80-03	Diffusion detector assembly, model GD-A80, 0 - 100% LEL propane, explosion proof	575.00
GD-A80-04	Diffusion detector assembly, model GD-A80, 0 - 100% LEL hydrogen, explosion proof	575.00
GD-A80-05	Diffusion detector assembly, model GD-A80, 0 - 100% LEL isobutane, explosion proof	575.00
GD-A80-06	Diffusion detector assembly, model GD-A80, 0 - 100% LEL MMA (mono methyl methacrylate), explosion proof	575.00
GD-A80-07	Detector assembly,diffusion,XP,0-100 %LEL C2H4 (ethylene),GD-A80	575.00
GD-A80V-01	Diffusion detector assembly, model GD-A80V, 0 - 2000 ppm hydrogen, H2 specific, MOS sensor, explosion proof	575.00
GD-A80V-02	Diffusion detector assembly, model GD-A80V, 0 - 5000 ppm hydrogen, H2 specific, SG-8511, explosion proof	575.00
GD-A80V-03	Diffusion detector assembly, model GD-A80V, 0 - 75 ppm ammonia, MOS sensor, explosion proof	575.00
GD-A80V-04	Diffusion detector assembly, model GD-A80V, 0 - 300 ppm MMA (methyl methacrylate), MOS sensor, explosion proof	575.00
GD-A80V-05	Detector assembly,diffusion,XP,0-2000 ppm VCM (vinly chloride monomer),MOS,GD-A80V	575.00
GD-A80V-06	Detector assembly,diffusion,XP,0-5000 ppm dioxane (C4H8O2),SG-8511,MOS,GD-A80V	575.00
GD-A80V-07	Detector assembly,diffusion,XP,0-30 ppm H2S,MOS,GD-A80V	575.00
GD-A80V-08	Detector assembly,diffusion,XP,0-2000 ppm benzene (C6H6),SG-8521,MOS,GD-A80V	575.00
GD-A80V-09	Detector assembly,diffusion,XP,0-1000 ppm hexane (C6H14),SG-8521,MOS,GD-A80	575.00
GD-A80V-10	Detector assembly,diffusion,XP,0-500 ppm MEK (C4H8O),SG-8521,MOS,GD-A80	575.00
GD-A80V-11	Detector assembly,diffusion,XP,0-300 ppm TCE (trichlorethylene),SG-8523,MOS,GD-A80	575.00
GD-A80V-12	Detector assembly,diffusion,XP,0-100 ppm C8H10 (xylene),SG-8521,MOS,GD-A80	575.00
GD-A80V-13	Detector assembly,diffusion,XP,0-1000 ppm C4H10 (isobutane),SG-8521,MOS,GD-A80	575.00
GD-A80V-14	Detector assembly,diffusion,XP,0-500 ppm DCM (dichloromethane),SG-8523,MOS,GD-A80	575.00
GD-D58-AU1-102	GD-D58,GP type w/HW-6213,0-100 %LEL CH4,G1 ports,brass 1/4 inch tube ftgs,110 VAC	1,500.00
GD-D58-AU1-104	GD-D58,GP type w/HW-6211,0-100 %LEL H2,G1 ports,brass 1/4 inch tube ftgs,115 VAC	1,500.00
GD-D58-AU1-202	GD-D58,GP type w/HW-6213,0-100 %LEL CH4,G1 x 3/4 ports,brass 1/4 inch tube ftgs,115 VAC	1,650.00
GD-D58-AU1-204	GD-D58,GP type w/HW-6211,0-100 %LEL H2,G1 x 3/4 ports,brass 1/4 inch tube ftgs,115 VAC	1,650.00
GD-D58-DU1-101	GD-D58 GP type w/HW-6211,0-100 %LEL toluene,with G1 ports,brass 1/4 inch tube ftgs,24 VDC	1,500.00
GD-D58-DU1-103	GD-D58 GP type w/HW-6211,0-100 %LEL isobutane,with G1 ports,brass 1/4 inch tube ftgs,24 VDC	1,500.00
GD-D58-DU1-201	GD-D58,GP type w/HW-6211,0-100 %LEL toluene,G1 x 3/4 ports,brass 1/4 inch tube ftgs,24 VDC	1,650.00
GD-D58-DU1-203	GD-D58,GP type w/HW-6211,0-100 %LEL isobutane,G1 x 3/4 ports,brass 1/4 inch tube ftgs,24 VDC	1,650.00
GD-F88AI	Smart transmitter,GD-K88AI,O2 (oxygen),0-25%,IS type	1,350.00
GD-K884X-ASH3	GD-K88AI in NEMA 4X housingi, Arsine (AsH3), 0-0.2 ppm, IS type	1,600.00
GD-K884X-B2H6	GD-K88AI in NEMA 4X housingi, Diborane (B2H6), 0-0.3 ppm, IS type	1,600.00
GD-K884X-BCL3	GD-K88AI in NEMA 4X housingi, Boron Trichloride (BCl3), 0-15 ppm (HCl), IS type	1,600.00
GD-K884X-BF3	GD-K88AI in NEMA 4X housingi, Boron Trifluoride (BF3), 0-9 ppm (HF), IS type	1,600.00
GD-K884X-BTBAS	GD-K88AI in NEMA 4X housingi, BTBAS, 0-15 ppm, IS type	1,600.00
GD-K884X-CL2	GD-K88AI in NEMA 4X housingi, Chlorine (Cl2), 0-3.00 ppm, IS type	1,600.00
GD-K884X-CL2-10	GD-K88AI-CL2-10 in NEMA 4X housing,0-10.0 ppm Cl2(chlorine)	1,600.00
GD-K884X-CLF3	GD-K88AI in NEMA 4X housingi, Chlorine Trifluoride (ClF3), 0-0.6 ppm, IS type	1,600.00
GD-K884X-CO	GD-K88AI in NEMA 4X housingi, Carbon Monoxide (CO), 0-150 ppm, IS type	1,600.00
GD-K884X-H2O2	GD-K88AI-H2O2 in NEMA 4X housing,0-3.00 ppm H2O2(hydrogen peroxide)	1,600.00
GD-K884X-H2S-01	GD-K88AI in NEMA 4X housingi, Hydrogen Sulfide (H2S), 0-1 ppm, IS type	1,600.00
GD-K884X-H2S-30	GD-K88AI in NEMA 4X housingi, Hydrogen Sulfide (H2S), 0-30 ppm, IS type	1,600.00
GD-K884X-HCN	GD-K88AI-HCN in NEMA 4X housing,0-15.0 ppm HCn (hydrogen cyanide)	1,600.00
GD-K884X-NH3	GD-K88AI in NEMA 4X housingi, Ammonia (NH3), 0-75 ppm, IS type	1,600.00
GD-K884X-NO	GD-K88AI-NO in NEMA 4X Housing,0-100 ppm NO(nitric oxide)	1,600.00
GD-K884X-NO2	GD-K88AI-NO2 in NEMA 4X Housing,0-15 ppm NO2(nitrogen dioxide)	1,600.00
GD-K884X-NSA-01	GD-K884X enclosure without detector head,for field installation of detecor head	400.00
GD-K884X-PH3	GD-K88AI in NEMA 4X housingi, Phosphine (PH3), 0-1 ppm, IS type	1,600.00
GD-K884X-Si2H6	GD-K88AI in NEMA 4X housingi, Disilane (Si2H6), 0-15 ppm, IS type	1,600.00
GD-K884X-SiH4-A	GD-K88AI-SiH4-A in NEMA 4X Housing,0-15 ppm SiH4(silane)	1,600.00
GD-K884X-SiH4-AH	GD-K88AI in NEMA 4X housingi, Silane (SiH4), 0-15 ppm, AH sensor, low H2 response, IS type	1,600.00
GD-K884X-SiH4-DH	GD-K88AI in NEMA 4X housingi, Silane (SiH4), 0-15 ppm, DH sensor, with H2 response, IS type	1,600.00
GD-K884X-SO2	GD-K88AI-SO2 in NEMA 4X housing,0-6.00 ppm SO2(sulphur dioxide)	1,600.00
GD-K884X-WF6	GD-K88AI in NEMA 4X housingi, Tungsten Hexafluoride (WF6), 0-9 ppm (HF), IS type	1,600.00
GD-K88AI-ASH3	Smart transmitter, GD-K88Ai, Arsine (AsH3), 0-0.2 ppm, IS type	1,250.00
GD-K88AI-B2H6	Smart transmitter, GD-K88Ai, Diborane (B2H6), 0-0.3 ppm, IS type	1,250.00
GD-K88AI-BTBAS	Smart transmitter, GD-K88Ai, BTBAS, 0-15 ppm, IS type	1,250.00
GD-K88AI-CL2	Smart transmitter, GD-K88Ai, Chlorine (Cl2), 0-3.00 ppm, IS type	1,250.00

# Numerical Index

Part#	Description	Suggested Retail
GD-K88AI-CL2-10	Smart transmitter,GD-K88AI,Cl2 (chlorine),0-10.0 ppm,IS type .....	1,250.00
GD-K88AI-CO	Smart transmitter, GD-K88Ai, Carbon Monoxide (CO), 0-150 ppm, IS type .....	1,250.00
GD-K88AI-CO-01	Smart transmitter,GD-K88AI,CO (carbon monoxide),0-75 ppm,IS type .....	1,250.00
GD-K88AI-CO-03	Smart transmitter,GD-K88AI,CO (carbon monoxide),0-300 ppm,IS type .....	1,250.00
GD-K88AI-GEH4	Smart transmitter,GD-K88AI,GeH4 (germane),0-0.80 ppm,IS type .....	1,250.00
GD-K88AI-H2S-01	Smart transmitter, GD-K88Ai, Hydrogen Sulfide (H2S), 0-1 ppm, IS type .....	1,250.00
GD-K88AI-H2S-30	Smart transmitter, GD-K88Ai, Hydrogen Sulfide (H2S), 0-30 ppm, IS type .....	1,250.00
GD-K88AI-HCN	Smart transmitter, GD-K88Ai, Hydrogen Cyanide (HCN), 0-15.0 ppm, IS type.....	1,250.00
GD-K88AI-NH3	Smart transmitter, GD-K88Ai, Ammonia (NH3), 0-75 ppm, IS type .....	1,250.00
GD-K88AI-NO	Smart transmitter,GD-K88AI,NO (nitric oxide),0-100 ppm,IS type .....	1,250.00
GD-K88AI-NO2	Smart transmitter,GD-K88AI,NO2 (nitrogen dioxide),0-15.0 ppm,IS type .....	1,250.00
GD-K88AI-PH3	Smart transmitter, GD-K88Ai, Phosphine (PH3), 0-1 ppm, IS type .....	1,250.00
GD-K88AI-Si2H6	Smart transmitter, GD-K88Ai, Disilane (Si2H6), 0-15 ppm, IS type .....	1,250.00
GD-K88AI-SiH4-A	Smart transmitter,GD-K88AI,SiH4 (silane),0-15.0 ppm,w/23AH sensor,IS type .....	1,250.00
GD-K88AI-SiH4-AH	Smart transmitter, GD-K88Ai, Silane (SiH4), 0-15 ppm, AH sensor, low H2 response, IS type .....	1,250.00
GD-K88AI-SiH4-DH	Smart transmitter, GD-K88Ai, Silane (SiH4), 0-15 ppm, DH sensor, with H2 response, IS type .....	1,250.00
GD-K88AI-SO2	Smart transmitter,GD-K88AI,SO2 (sulfur dioxide),0-6.00 ppm,IS type .....	1,250.00
GD-K88AI-SO2-30	Smart transmitter,GD-K88AI,SO2 (sulfur dioxide),0-30.0 ppm,IS type .....	1,250.00
GD-K88DI-CL2	Smart transmitter,GD-K88DI,Cl2 (chlorine),0-3.00 ppm,IS type,sample draw .....	2,295.00
GD-K88DI-H2S-30	Smart transmitter,GD-K88DI,H2S (hydrogen sulfide),0-30.0 ppm,IS type,sample draw .....	2,295.00
GD-K88DI-HCL-15	Smart transmitter,GD-K88DI,HCl (hydrogen chloride),0-15.0 ppm,IS type,sample draw .....	2,295.00
GD-K88DI-HCN	Smart transmitter,GD-K88DI,HCn (hydrogen cyanide),0-15.0 ppm,IS type,sample draw .....	2,295.00
GD-K88DI-NH3	Smart transmitter,GD-K88DI,NH3 (ammonia),0-75.0 ppm,IS type,sample draw .....	2,295.00
GD-K88DI-NO2	Smart transmitter,GD-K88DI,NO2 (nitrogen dioxide),0-15.0 ppm,IS type,sample draw .....	2,295.00
GD-K88DI-O3-06	Smart transmitter,GD-K88DI,O3 (ozone),0-0.60 ppm,IS type,sample draw .....	2,295.00
GD-K88DI-O3-10	Smart transmitter,GD-K88DI,O3 (ozone),0-1.00 ppm,IS type,sample draw .....	2,295.00
GE-4641-S2	LEL Sensor for GP-226, isobutane (HC) .....	80.00
GH-5001	Module, indicator/alarm, GH-5001, combustible or toxic gases (ppm range), RM-5000 Series (specify gas & range) .....	660.00
GH-5001-DIOX	Module,indicator/alarm, GH-5001,0-500 ppm dioxane (C4H8O2) .....	660.00
GH-5001-HEX-10K	Module,indicator/alarm,GH-5001,0-10000 ppm hexane (C6H14),for SG-8511 .....	660.00
GH-5001-HEX-1K	Module,indicator/alarm,GH-5001,0-1000 ppm hexane (C6H14),for SG-8547 .....	660.00
GH-5001-HEX-2K	Module,indicator/alarm,GH-5001,0-2000 ppm hexane (C6H14),for SG-8547 .....	660.00
GH-5001-NH3-75	Module,indicator/alarm, GH-5001,0-75 ppm ammonia (NH3) .....	660.00
GH-5001-TCE-300	Module,indicator/alarm, GH-5001,0-300 ppm TCE (trichlorethylene) .....	660.00
GH-5001-VCM-2K	Module,indicator/alarm, GH-5001,0-2000 ppm VCM .....	660.00
GH-5001-VCM-500	Module,indicator/alarm, GH-5001,0-500 ppm VCM .....	660.00
GH-5001-XYL-100	Module,indicator/alarm, GH-5001,0-100 ppm xylene (C4H10) .....	660.00
GH-5001H	Module, indicator/alarm, GH-5001H, 0-2000 ppm H2, (for SG-8541,SG-8546,61-0160RK sensors) .....	660.00
GH-5001H-01	Module,indicator/alarm, GH-5001H, 0-2000 ppm H2, NE relays/test relay on.....	660.00
GH-5001H-01-CC	Module,indicator/alarm, GH-5001H with 5000-CC module adptr, 0-2000 ppm H2, NE relays/test relay on	755.00
GH-5001H-02	Module,indicator/alarm, GH-5001H, 0-2000 ppm H2, NE relays/self resetting alms/test relay on .....	660.00
GH-5001H-02-CC	Module,indicator/alm, GH-5001H with 5000-CC, 0-2000 ppm H2, NE relays/self rstg alms/test relay on	755.00
GH-5001H-02-CCS	Module, 0-2000 ppm H2, GH-5001H with 5000-CC and 570-SR, NE relays/self rstg alms/test relay on .....	955.00
GH-6001A-01	GH-6001 combustible gas monitor,0-200 ppm hexane,100-240 VAC input, 60Hz .....	795.00
GH-6001A-02	GH-6001 combustible gas monitor,0-500 ppm DCM(dicloromethane),100-240 VAC input, 60Hz.....	795.00
GP-5001	Module,indicator/alarm, GP-5001,combustible gas, 0-100% LEL, RM-5000 Series (MUST SPECIFY GAS) ...	660.00
GP-5001-C2H4	Module,indicator/alarm,GP-5001,combustible gas ,0-100 %LEL ethylene,RM-5000 Series .....	660.00
GP-5001-C4H10	Module,indicator/alarm, GP-5001,combustible gas , 0-100 %LEL isobutane, RM-5000 Series .....	660.00
GP-5001-CH4	Module, indicator/alarm, GP-5001,combustible gas , 0-100% LEL CH4, RM-5000 Series .....	660.00
GP-5001-IPA	Module,indicator/alarm,GP-5001,combustible gas ,0-100 %LEL IPA (isopropyl alcohol),RM-5000 Series	660.00
GP-5001-NMP	Module,indicator/alarm,GP-5001,combustible gas ,0-100 %LEL N-Methyl-2-Pyrrolidone,RM-5000 Series	660.00
GP-5001-TOL	Module,indicator/alarm,GP-5001,combustible gas,0-100% LEL toluene (C7H8),RM-5000 Series .....	660.00
GP-6001A-01	GP-6001 combustible gas monitor,0-100 %LEL isobutane,100-240 VAC input, 60Hz.....	725.00
GP-6001A-02	GP-6001 combustible gas monitor,0-100 %LEL CH4,for HW-6213 sensor,100-240 VAC input	725.00
GP-6001A-03	GP-6001 combustible gas monitor,0-100 %LEL H2,for HW-6211 sensor,100-240 VAC input .....	725.00
HW-6206	Sensor,HW-6206,high temperature,w/lead wires .....	1,260.00
HW-6207	Sensor,0-100 %LEL,HW-6207,high temperature .....	1,260.00
HW-6211	Sensor HW-6211, for SD-1GP, GD-A80, GD-A8/D8, Isobutane, H2 .....	220.00
HW-6212	Sensor HW-6212 for GD-A80, GD-A8, furnace insert type,LEL .....	220.00
HW-6213	Sensor, HW-6213 for GD-A80, GD-A8, Methane .....	220.00



# Numerical Index

Part#	Description	Suggested Retail
HW-6214	Sensor, HW-6214, %LEL, for GD-A80, GD-A8, C2H4	220.00
HW-6214B	Sensor, HW-6214, for GD-A80, GD-A8, VCM	240.00
HW-6216	LEL Sensor elements, Isobutane, for GD-D5C	240.00
HW-6217	LEL Sensor w/wires, for GD-B2	230.00
HW-6219	Sensor HW-6219, for GD-A43, Isobutane, H2	260.00
HW-6220	LEL Sensor, GP-109, GE-6670-P1	275.00
HW-6246	Filament set only, Isobutane, for GP-204 shipboard use only	65.00
HW-6255	Sensor, LEL for NP-85	230.00
HW-6257	LEL sensor for GP-85N / GX-85N / GP-88 replacement (not for GP-88S)	175.00
IRR-0409	Sensor, Carbon Dioxide (CO2), 0-10% volume for GX-3R Pro	400.00
IRR-0433	Sensor, Carbon Dioxide (CO2), 0-10,000 ppm for GX-3R Pro	400.00
NC-5001-C2H4	Module indicator/alarm, 0 - 100 %LEL Ethylene (C2H4), for NC-6241A, RM-5000 Series	660.00
NC-5001-CH4	Module indicator/alarm, 0 - 100 %LEL CH4, for NC-6241, RM-5000 Series	660.00
NC-5001-THF	Module indicator/alarm, 0 - 100 %LEL THF, for NC-6241, RM-5000 Series	660.00
NC-5001W-35	Module, indicator/alarm, 0-10 %LEL/0-100 %LEL, for NC-6240A	660.00
NC-6205-01	Sensor, LEL Hydrogen (H2) specific, 1/2 NPT, with guard and silicone resistance, UL version, (no transmitter, no j-box)	400.00
NC-6205-01-03	Sensor, H2 specific, 1/2 inch NPT, silicone resistant, w/guard, with 3 foot cable	425.00
NC-6205-02	Sensor, H2 specific, 1/2 inch NPT, silicone resistant, w/o guard	400.00
NC-6205-05	Sensor, LEL Hydrogen (H2) specific, explosion proof direct connection, with silicone resistance, cCSAus version, (no transmitter, no j-box)	450.00
NC-6211	Sensor, NC-6211, LEL/ppm, catalytic, plug-in style	300.00
NC-6215	Sensor, LEL, NC-6215, GX-8000 and GP-1000	360.00
NC-6239	Sensor, LEL combustible (catalytic), NC-6239, plug-in	220.00
NC-6240A	Sensor, LEL or PPM combustible, for sample draw 35-3000	220.00
NC-6245	Sensor, Combustible 0-100% LEL for sample draw 35-3001, 35-3000, SD-1, and Model 1017	220.00
NC-6260B	Sensor, LEL / ppm, plug-in, EAGLE 2	200.00
NC-6264A	Sensor, Methane (CH4) 0-100% LEL for GX-2009/GX-2012/GX-6000/GP-03/Gas Tracer	120.00
NC-6264AZX	Sensor, Methane (CH4) 0-100% LEL, silicone resistant, for GX-2009/GX-2012/GX-6000/GX-2001/GX-2003/Gas Tracer/GP-01	130.00
NC-6264B	Sensor, Methane (CH4) 0-100% LEL for GX-2009 MSHA / GX-2012 CSA	140.00
NC-6307	Sensor for NC-1000, catalytic	360.00
NCR-6309	Sensor, LEL 0-100% for GX-3R/GX-3R Pro	150.00
NCU-6211	Sensor, GD-70D, LEL sensor/amp unit, 0-100 %LEL iC4H10 (isobutane) default	395.00
NCU-6211-C4H10	Sensor, Isobutane (iC4H10) 0-100% LEL, sensor unit	395.00
NCU-6213	Sensor, LEL sensor/amp unit, 0 - 100 %LEL CH4 (methane) default, GD-70D	395.00
NCU-6244A	Sensor, H2 specific sensor/amp unit, 0-100 %LEL H2 (hydrogen) default, GD-70D	395.00
NP-5001	Module, indicator/alarm, NP-5001, combustible gas, % volume, RM-5000 Series	660.00
NP-5001-01	Module indicator/alarm, NP-5001, 0-5% H2, for TE-7560 sensor	660.00
OS-8066	Oxygen sensor, OS-8066	700.00
OS-8071	Sensor, Oxygen, OS-8071, fixed system special Type	320.00
OS-8078	Sensor, Oxygen, OS-8078, fixed system special Type	260.00
OS-8095	Sensor, oxygen, for GD-F24, for low humidity applications	260.00
OS-B01	Sensor, Oxygen (O2), 0-40% vol, plug-in diffusion type, for OX-07	195.00
OS-B11	Sensor, Oxygen with cable and pigtail	195.00
OS-B11E-A	Sensor, Oxygen (O2) 0-25% vol for SD-10X	210.00
OS-B11H	Sensor, Oxy w/cable and pigtail, OS-B11H, hi humidity	195.00
OS-B11TF	Sensor, Oxygen (O2) 0 - 25%, OS-B11TF, with cable, pigtail, solvent resistant	210.00
OS-B11TFX	Sensor, Oxygen w/cable and pigtail, solvent resistant, OS-B11TFX	400.00
OS-BM1D	Sensor, Oxygen (O2), OS-BM1D for OX-600	150.00
OS-BM2	Sensor, Galvanic, Oxygen (O2) 0-25% Vol. for GX-2009/GX-2012/GasTracer/GX-6000/OX-03/GasWatch 3	120.00
OS-C11	Sensor, Oxygen w/cable and pigtail, CO2 resistant	625.00
OSU-8078-05	Sensor, O2 (oxygen), 0-5.00%, for GD-70D	395.00
OX-5001	Module, indicator/alarm, oxygen, 0-25%, direct connect, RM-5000 Series	660.00
OX-5001-01	Module, indicator/alarm, oxygen, 0-5%, direct connect, RM-5000 Series	660.00
OX-5002	Module, indicator/alarm, OX-5002, Oxygen (4-20mA), RM-5000 Series	660.00
PID-001L	Sensor, PID, 10.6 eV lamp, VOC 0-50 ppm for GX-6000	1,700.00
PID-002L	Sensor, PID, 10.6 eV lamp, VOC 0-6,000 ppm for GX-6000	1,300.00
PID-003L	Sensor, PID, 10.0 eV lamp, VOC 0-100 ppm, Benzene specific 0.01-50 ppm for GX-6000	2,100.00
PID-004	Sensor, PID, 11.7 eV lamp, VOC 0-1000 ppm, for GX-6000	2,000.00
PLU-70	Pyrolyzer unit only for GD-70D	755.00

# Numerical Index

Part#	Description	Suggested Retail
PLU-70-01	Pyrolyzer unit for GD-70D,modified for no bypass and no flow alarm .....	755.00
PSU-590	Power supply unit,100-220 VAC input,RM-590 series .....	575.00
RI-257	RI-257,Freon monitor, Fixed,(Specify Gas name, Range, Alarm point) .....	4,500.00
RM-5002	Module indicator/alarm, 2-wire 4-20 mA, RM-5000 Series (specify gas & range) .....	660.00
RM-5002-CO2-02	Module indicator/alarm, 0-9950 ppm, 2-wire 4-20 mA, RM-5000 Series .....	660.00
RM-5003	Module indicator/alarm, 3-wire 4-20 mA, RM-5000 Series (specify gas & range) .....	660.00
RM-5003-CL2	Module indicator/alarm, 0-3.00 ppm Cl2, 3-wire 4-20 mA, RM-5000 Series .....	660.00
RM-5003-HF-09	Module,indicator/alarm,0-9.00 ppm HF,3-wire 4-20 mA,RM-5000 Series .....	660.00
RM-5003-OXY	Module,indicator/alarm,0-25% oxygen,3-wire 4-20 mA,RM-5000 Series .....	660.00
RM-5003-OXY-485	Module,indicator/alarm,0-25% oxygen,3-wire 4-20 mA,RM-5000 Series,w/RS-485 output .....	745.00
RM-5003-SO2-06	Module,indicator/alarm,0-6.00 ppm SO2,3-wire 4-20 mA,RM-5000 Series .....	660.00
RM-5003ISOB-485	Module,indicator/alarm,0-100 %LEL isobutane (C4H10),3-wire 4-20 mA,w/RS-485 output, RM-5000 Series .....	745.00
RM-5003MEOH-485	Module,indicator/alarm,0-100 %LEL methanol (CH3OH),3-wire 4-20 mA,w/RS-485 output, RM-5000 Series .....	745.00
RP-D58-AJ1	RP-D58 explosion pump,G1 ports,brass 8 mm tube ftgs,115 VAC .....	1,080.00
RP-D58-AJ2	RP-D58 explosion pump,G1 x 3/4 port adapters,brass 8 mm tube ftgs,115 VAC .....	1,250.00
RP-D58-DU1	RP-D58 explosion pump,G1 ports,1/4 inch tube ftgs,24 VDC .....	1,080.00
RP-D58-DU2	RP-D58 explosion pump,G1 x 3/4 NPT port adapters,1/4 inch tube ftgs,24 VDC .....	1,250.00
SD-1DGH-H500	SD-1GH detector head, Hexane (C4H10) 0-500 ppm, 4-20 mA transmitter with sample adapter (flow through chamber) .....	1,550.00
SD-1DGH-H500-H	SD-1GH-H500-H detector head, Hexane (C4H10) 0-500 ppm with HART communication (no relay), with sample adapter (flow through chamber) .....	1,600.00
SD-1DRI-AS-IPA	SD-1DRI-AS detector head, Isopropyl Alcohol (IPA) 0 - 100% LEL, 4-20 mA transmitter, air aspirator type .....	4,150.00
SD-1DRI-CH4	SD-1DRI detector head, methane (CH4) 0 - 100% LEL, 4-20 mA transmitter with sample adapter (flow through chamber) .....	1,650.00
SD-1DRI-IC4H10	SD-1DRI detector head, Isobutane (C4H10) 0 - 100% LEL, 4-20 mA transmitter with sample adapter (flow through chamber) .....	1,650.00
SD-1DRI-XXX-H	SD-1DRI detector head, LEL 0 - 100% infrared type with sample adapter hardware (flow through chamber) and HART communication (no relay), replace XXX with specified gas .....	1,650.00
SD-1DRI-XXX-HS	SD-1DRI detector head, LEL 0 - 100% infrared type with sample adapter hardware (flow through chamber) and HART communication & SIL (no relay), replace XXX with specified gas ...	1,650.00
SD-1DRIAS-XXX-H	SD-1DRI detector head, LEL 0 - 100% infrared type with air aspirator hardware and HART communication (no relay), replace XXX with specified gas .....	4,150.00
SD-1DRIAS-XXXHS	SD-1DRI detector head, LEL 0 - 100%, infrared type with air aspirator and HART communication & SIL (no relay), replace XXX with specified gas .....	4,150.00
SD-1EC-CO	SD-1EC detector head, Carbon Monoxide (CO) 0 - 75 ppm, 4-20 mA transmitter .....	1,295.00
SD-1EC-CO-75	SD-1EC detector head, Carbon Monoxide (CO) 0 - 75 ppm, 4-20 mA transmitter .....	1,295.00
SD-1EC-CO-H	SD-1EC detector head, Carbon Monoxide (CO) 0 - 75 ppm with HART communication (no relay) .....	1,295.00
SD-1EC-CO-HS	SD-1EC detector head, Carbon Monoxide (CO) 0 - 75 ppm with HART communication (no relay) .....	1,295.00
SD-1EC-H2S	SD-1EC detector head, Hydrogen Sulfide (H2S) 0 - 30 ppm, 4-20 mA transmitter .....	1,295.00
SD-1EC-H2S-30	SD-1 EC detector head, Hydrogen Sulfide (H2S) 0 - 30 ppm, 4-20 mA .....	1,295.00
SD-1EC-H2S-H	SD-1EC detector head, Hydrogen Sulfide (H2S) 0 - 30 ppm with HART communication (no relay) .....	1,295.00
SD-1EC-H2S-HS	SD-1EC detector head, Hydrogen Sulfide (H2S) 0 - 30 ppm, with HART communication (no relay) .....	1,295.00
SD-1GH-ACN	SD-1GH detector head, Acrylonitrile (ACN) 0-100 ppm, 4-20 mA transmitter.....	995.00
SD-1GH-BNZ-500	Detector head,4-20 mA transmitter,SD-1GH,0-500 ppm benzene .....	995.00
SD-1GH-CH2CL2	Detector head,4-20 mA transmitter,SD-1GH,0-500 ppm methylene chloride .....	995.00
SD-1GH-CH4-2K	Detector head,4-20 mA transmitter,SD-1GH,0-2000 ppm CH4 .....	995.00
SD-1GH-EDC-100	Detector head,4-20 mA transmitter,SD-1GH,0-100 ppm ethylene dichloride.....	995.00
SD-1GH-EO-1K	SD-1GH detector head, Ethylene Oxide (C2H4O) 0-1000 ppm with SG-8521, 4-20 mA transmitter .....	995.00
SD-1GH-ETH-2K	Detector head,4-20 mA transmitter,SD-1GH,0-2000 ppm ethanol .....	995.00
SD-1GH-ETH-5K	Detector head,4-20 mA transmitter,SD-1GH,0-5000 ppm ethanol .....	995.00
SD-1GH-HEX-3K	Detector head,4-20 mA transmitter,SD-1GH,0-3000 ppm hexane .....	995.00
SD-1GH-HEX-500	Detector head,4-20 mA transmitter,SD-1GH,0-500 ppm hexane.....	995.00
SD-1GH-MEK-500	Detector head,4-20 mA transmitter,SD-1GH,0-500 ppm methyl ethyl ketone .....	995.00
SD-1GH-PA	Detector head,4-20 mA transmitter,SD-1GH,0-1000 ppm propyl acetate (C5H10O2) .....	995.00
SD-1GH-R404A	Detector head,4-20 mA transmitter,SD-1GH,0-2000 ppm R404a.....	995.00
SD-1GH-XXX	SD-1GH detector head, semiconductor type, replace XXX with specified gas, 4-20 mA transmitter.....	995.00
SD-1GH-XXX-H	SD-1GH detector head, semiconductor type with HART communication (no relay), replace XXX with specified gas .....	995.00

# Numerical Index

<b>Part#</b>	<b>Description</b>	<b>Suggested Retail</b>
SD-1GP-ACN	SD-1GP detector head, Acrylonitrile (ACN) 0 - 100% LEL, 4-20 mA transmitter .....	850.00
SD-1GP-CH4	SD-1GP detector head, Methane (CH4) 0 - 100% LEL, 4-20 mA transmitter .....	850.00
SD-1GP-CH4-H	SD-1GP detector head, Methane (CH4) 0 - 100% LEL with HART communication (no relay) .....	850.00
SD-1GP-CH4-HS	SD-1GP detector head, Methane (CH4) 0 - 100% LEL with HART communication & SIL (no relay) .....	850.00
SD-1GP-H2	SD-1GP detector head, Hydrogen (H2) 0 - 100% LEL, 4-20 mA transmitter.....	850.00
SD-1GP-H2-H	SD-1GP detector head, Hydrogen (H2) 0 - 100% LEL with HART communication (no relay) .....	850.00
SD-1GP-H2-HS	SD-1GP detector head, Hydrogen (H2) 0 - 100% LEL with HART communication & SIL (no relay) .....	850.00
SD-1GP-LPG	Detector head,4-20 mA transmitter,SD-1GP,0 - 100% LEL LPG (liquid propane gas) .....	850.00
SD-1GP-XXX	SD-1GP detector head, LEL 0 - 100% catalytic type, replace XXX with specified gas, 4-20 mA transmitter	850.00
SD-1GP-XXX-H	SD-1GP detector head, LEL 0 - 100% catalytic type with HART communication (no relay), replace XXX with specified gas .....	850.00
SD-1GP-XXX-HS	SD-1GP detector head, LEL 0 - 100% catalytic type with HART communication & SIL (no relay), replace XXX with specified gas .....	850.00
SD-1GP-XXX-S	SD-1GP detector head, LEL 0 - 100% catalytic type with SIL and relay, replace XXX with specified gas, 4-20 mA transmitter .....	850.00
SD-1OX	SD-1OX detector head, Oxygen (O2) 0 - 25% vol, 4-20 mA transmitter .....	1,195.00
SD-1OX-H	SD-1OX detector head, Oxygen (O2) 0 - 25% vol with HART communication (no relay) .....	1,195.00
SD-1OX-HS	SD-1OX detector head, Oxygen (O2) 0 - 25% vol with HART communication and SIL (no relay) .....	1,195.00
SD-1RI-IC4H10	Detector head,4-20 mA transmitter,SD-1RI,0 - 100 %LEL isobutane .....	1,400.00
SD-1RI-XXX	SD-1RI detector head, LEL infrared type, replace XXX with specified gas, 4-20 mA transmitter .....	1,400.00
SD-1RI-XXX-H	SD-1RI detector head, 0 - 100% LEL infrared type with HART communication (no relay), replace XXX with specified gas .....	1,400.00
SD-1RI-XXX-HS	SD-1RI detector head, infrared type with HART communication & SIL (no relay), replace XXX with specified gas .....	1,400.00
SD-2500-NMP	SD-2500-NMP transmitter, 0 - 100 %LEL NMP (n-methyl pyrrolodone) .....	8,500.00
SD-2600-DMF	SD-2600 transmitter,0-100 %LEL DMF(dimethylformamide) .....	8,980.00
SD-2600-IPA	SD-2600 transmitter,0-100 %LEL IPA (isopropyl alcohol) .....	8,980.00
SD-D58-AU1-203	SD-D58,w/SG-8521,0-2000 ppm methyl methacrylate,w/G1x3/4 port adptrs,brass 1/4 in tube ftgs, 115 VAC .....	1,900.00
SG-8511	Sensor,SG-8511, MOS (specify gas and range) .....	300.00
SG-8511-C3H6-2K	Sensor,SG-8511,0 - 2000 ppm propylene .....	300.00
SG-8511-H2-5K	Sensor,SG-8511,0 - 5000 ppm hydrogen .....	300.00
SG-8512	Sensor,SG-8512, MOS (specify gas and range) .....	300.00
SG-8513	Sensor,SG-8513, MOS (specify gas and range) (CL compounds) .....	300.00
SG-8513-VCM-1K	Sensor,SG-8513,0-1000 ppm vinyl chloride monomer (VCM) .....	300.00
SG-8513-VCM-2K	Sensor,SG-8513,0-2000 ppm vinyl chloride monomer (VCM) .....	300.00
SG-8513-VCM-500	Sensor,SG-8513,0-500 ppm vinyl chloride monomer (VCM) .....	300.00
SG-8514	Sensor,SG-8514, MOS (specify gas and range) .....	300.00
SG-8521	Sensor,SG-8521, MOS sensor only, ppm (specify gas & range) .....	300.00
SG-8521-ACN	Sensor,SG-8521,GD-D8V/A8V,0-100 ppm ACN (acrylonitrile) .....	300.00
SG-8521-ACN-5	Sensor,SG-8521,GD-D8V/A8V,0-500 ppm ACN (acrylonitrile) .....	300.00
SG-8521-H2-500	Sensor,SG-8521,GD-D8V/A8V,0-2000 ppm H2 .....	300.00
SG-8521-ISOB-1K	Sensor,SG-8521,GD-D8V/A8V,0-1000 ppm isobutane (C4H10) .....	300.00
SG-8521-MEK-500	Sensor,SG-8521,GD-D8V/A8V,0-500 ppm MEK (C4H8O) .....	300.00
SG-8521-MMA-2K	Sensor,SG-8521,GD-D8V/A8V,0-2000 ppm MMA (C5H8O2).....	300.00
SG-8521-R32-9K	Sensor,SG-8521,GD-D8V/A8V,0 - 9000 ppm R32 (difluoromethane,CH2F2) .....	300.00
SG-8521-TOL	Sensor,SG-8521,GD-D8V/A8V,0-300 ppm toluene (C7H8) .....	300.00
SG-8522-H2S	Sensor,SG-8522, MOS, H2S, 30 ppm, GD-A8V .....	300.00
SG-8523	Sensor,SG-8523, MOS, TCE 300, GD-A8V .....	300.00
SG-8563	Sensor, Ethylene Oxide (ETO), 0 – 1000 ppm replacement sensor .....	300.00
SG-8563-ETO-100	Sensor, Ethylene Oxide (ETO), 0-100 ppm replacement sensor .....	300.00
SG-8565	Sensor, Ethanol (C2H5OH), 0 – 2000/5000 ppm replacement sensor .....	300.00
SG-8581	Sensor SG-8581,MOS,methane (CH4),0-2000 ppm .....	350.00
SG-8582	Sensor,SG-8582, MOS, Propane 0-500 ppm, GD-A8V .....	350.00
SGU-8511-C3H6-2	Sensor, Propylene (C3H6), 0 - 2000 ppm, MOS sensor/amp unit for GD-70D .....	495.00
SGU-8511-C3H6-5	Sensor, Propylene (C3H6), 0 - 5000 ppm, MOS sensor/amp unit for GD-70D .....	495.00
SGU-8511-C3H8-2	Sensor, Propane (C3H8), 0 - 2000 ppm, MOS sensor/amp unit for GD-70D.....	495.00
SGU-8511-C3H8-5	Sensor, Propane (C3H8), 0 - 5000 ppm, MOS sensor/amp unit for GD-70D.....	495.00
SGU-8511-C3H82K	Sensor,MOS sensor/amp unit,0 - 2000 PPM propane(C3H8),GD-70D .....	495.00
SGU-8511-C3H85K	Sensor,MOS sensor/amp unit,0 - 5000PPM propane(C3H8),GD-70D .....	495.00
SGU-8511-CH4-20	Sensor, Methane (CH4), 0-2.0% vol, MOS sensor/amp unit for GD-70D .....	495.00

# Numerical Index

Part#	Description	Suggested Retail
SGU-8511-CH4-5K	Sensor, Methane (CH4), 0 - 5000 ppm, MOS sensor/amp unit for GD-70D .....	495.00
SGU-8511-CH420K	Sensor, MOS sensor/amp unit, 0 - 2% vol methane(CH4), GD-70D .....	495.00
SGU-8511-H2-20K	Sensor, Hydrogen (H2), 0-2.0% vol, MOS sensor/amp unit for GD-70D .....	495.00
SGU-8511-R152A	Sensor, MOS sensor/amp unit, 0 - 5,000 ppm difluoroethane (R152A/C2H4F2), GD-70D .....	495.00
SGU-8513-DCE-6	Sensor, Dichloroethene (C2H2Cl2), 0 - 600 ppm, MOS sensor/amp unit for GD-70D .....	550.00
SGU-8521-ACE-1K	Sensor, Acetone (C3H6O), 0-1000 ppm, MOS sensor/amp unit for GD-70D .....	495.00
SGU-8521-C2H2-2	Sensor, Acetylene (CH2H2), 0 - 2,000 ppm, MOS sensor/amp unit for GD-70D .....	495.00
SGU-8521-C2H4-2	Sensor, Ethylene (CH2H4), 0 - 2,000 ppm, MOS sensor/amp unit for GD-70D .....	495.00
SGU-8521-C2H5OH	Sensor, MOS sensor/amp unit, 0 - 2000 PPM C2H5OH (ethanol), GD-70D .....	495.00
SGU-8521-C3H6-2	Sensor, MOS sensor/amp unit, 0 - 2000 PPM propylene(C3H6), GD-70D .....	495.00
SGU-8521-C4F6A	Sensor, Hexafluorobutadiene (C4F6), 0 - 200 ppm, MOS sensor/amp unit for GD-70D .....	495.00
SGU-8521-CH3CN	Sensor, Acetonitrile (CH3CN), 0 - 2,000 ppm, MOS sensor/amp unit for GD-70D .....	495.00
SGU-8521-H2-1K	Sensor, Hydrogen (H2), 0-1000 ppm, MOS sensor/amp unit for GD-70D .....	495.00
SGU-8521-H2-500	Sensor, Hydrogen (H2), 0 - 500 ppm, MOS sensor/amp unit for GD-70D .....	495.00
SGU-8521-IPA-2K	Sensor, Isopropylalcohol (CH3CHOHCH3), 0-2000 ppm, MOS sensor/amp unit for GD-70D .....	495.00
SGU-8521-MET-1K	Sensor, Methanol (CH3OH), 0-1000 ppm, MOS sensor/amp unit for GD-70D .....	495.00
SGU-8521-MET-2K	Sensor, Methanol (CH3OH), 0-2000 ppm, MOS sensor/amp unit for GD-70D .....	495.00
SGU-8521-R32-2K	Sensor, Difluoromethane (CH2F2), 0-2000 ppm, MOS sensor/amp unit for GD-70D .....	495.00
SGU-8521-R32-9K	Sensor, Difluoromethane (CH2F2), 0-9000 ppm, MOS sensor/amp unit for GD-70D .....	495.00
SGU-8521-R41-2K	Sensor, Fluoromethane (CH3OH), 0-2000 ppm, MOS sensor/amp unit for GD-70D .....	495.00
SGU-8523-DCM-2K	Sensor, Dichloromethane (DCM), 0-2000 ppm, MOS sensor/amp unit for GD-70D .....	495.00
SGU-8524-R134A	Sensor, MOS sensor/amp unit, 0 - 5,000 ppm tetrafluoromethane (R134a), GD-70D .....	495.00
SGU-8541-H2-1K	Sensor, Hydrogen (H2), 0-1000 ppm, MOS sensor/amp unit for GD-70D .....	495.00
SGU-8541-H2-2K	Sensor, Hydrogen (H2), 0-2000 ppm, MOS sensor/amp unit for GD-70D .....	495.00
SGU-8541-H2-4K	Sensor, Hydrogen (H2), 0-4000 ppm, MOS sensor/amp unit for GD-70D .....	495.00
SGU-8541-H2-500	Sensor, Hydrogen (H2) specific, 0 - 500 ppm, MOS sensor/amp unit for GD-70D .....	495.00
SGU-8562-COS-2K	Sensor, Carbonyl sulfide (COS), 0 - 2000 ppm, MOS sensor/amp unit for GD-70D .....	495.00
SGU-8581-CH4-2K	Sensor, Methane (CH4), 0-2000 ppm, MOS sensor/amp unit for GD-70D .....	495.00
SGU-8581-CH4-5K	Sensor, MOS sensor/amp unit, 0 - 5,000 ppm methane (CH4), GD-70D .....	495.00
SH-8641	Sensor, ppm Methane (CH4) for Gas Tracer .....	150.00
SH-8661	Sensor for SP-220 type methane & LPG versions .....	350.00
SH-8662	Sensor for SP-220 type FUM & SC versions .....	425.00
SM-6D-01	SM-6D, sample draw sequencer for non-reactive gases, 6 pt, with 115 VAC to 100 VAC step down xformer .....	7,075.00
SM-6DS-01	SM-6D, sample draw sequencer, for solvent gases, 6 point, with 115 VAC to 100 VAC step down xformer .....	7,075.00
SP-5001	Module, indicator/alarm, SP-5001, combustible or toxic gases (ppm range), RM-5000 Series .....	660.00
SSU-1925	Sensor, ionization, GD-70D (Need to specify gas type & range) .....	495.00
TAN-5000	Buzzer Unit, self resetting, RM-5000 Series .....	400.00
TAN-5000L	Buzzer Unit, latching, RM-5000 Series .....	400.00
TE-7515	Sensor, TC % volume combustibles, thermal conductivity, TE-7515, GX-8000 .....	360.00
TE-7550-01	Sensor, Hydrogen (H2) 0-10% volume, thermal conductivity, 1/2 NPT with guard, UL version .....	750.00
TE-7550-02	Sensor, Hydrogen (H2) 0-10% volume, thermal conductivity, 1/2 NPT without guard, UL version .....	750.00
TE-7550-CH4-01	Sensor, thermal conductivity, 0-100 %volume CH4, 1/2 NPT, with guard .....	750.00
TE-7550-CH4-02	Sensor, thermal conductivity, 0-100 %volume CH4, 1/2 NPT, without guard .....	750.00
TE-7550-H2-01	Sensor, thermal conductivity, volume H2, 1/2 NPT, with guard .....	750.00
TE-7550-H2-02	Sensor, thermal conductivity, volume H2, 1/2 NPT, without guard .....	750.00
TE-7557	Sensor, TC % volume for NP-85, TE-7557 .....	275.00
TE-7560	Sensor, thermal conductivity, TE-7560, plug-in style, fixed systems .....	300.00
TE-7560-CH4	Sensor, Thermal Conductivity, TE-7560, plug-in style, CH4 .....	300.00
TE-7560-H2	Sensor, Thermal Conductivity, TE-7560, plug-in style, H2 .....	300.00
TE-7561	Sensor, TC, % volume, GX-2003/GX-2012/Gas Tracer .....	160.00
TE-7568	Sensor, TE-7568, TC, Methane (CH4), 0 - 100% volume/ Hydrogen (H2), 0 - 10%/100% volume, EAGLE 2... ..	360.00
TP-70DG2-C4F6	Smart transmitter, GD-70D for Hexafluorobutadiene (C4F6), 0-5.00 ppm .....	8,200.00
TP-70DG2-C4F6-M	Smart transmitter, TP-70DGII, C4F6, 0-5.00 ppm, Micron settings .....	8,200.00
TP-70DG2-C5F8	Smart transmitter, GD-70D for Octafluorocyclopentene (C5F8), 0-5 ppm .....	8,200.00
TP-70DG2-COS	Smart transmitter, GD-70D for Carbonyl Sulfide (COS), 0-15.0 ppm .....	8,200.00
TP-70DG2-COS-M	Smart transmitter, TP-70DGII, COS (carbonyl sulfide), 0-15.0 ppm, Micron settings .....	8,200.00
Z-1010	MODBUS data logger .....	2,900.00
Z2016-SB-02	XP analog sensor board for oxygen sensor element assemblies .....	212.00
Z2017-SB-LPIR	XP analog sensor board for low power infrared sensor element assemblies .....	86.00
Z401-12V1A	AC power supply, 12 VDC/1A ouput, 120 VAC input, 2.1 x 5.5 mm barrel plug, for AirLink 9100 .....	175.00
Z481-EMA-KIT	Strobe adder, amber .....	180.00

# Numerical Index

<b>Part#</b>	<b>Description</b>	<b>Suggested Retail</b>
Z481-EMB-KIT	Strobe adder, blue .....	180.00
Z481-EMR-KIT	Strobe adder, red .....	180.00
Z481-EMW-KIT	Strobe adder, clear .....	180.00
Z488-KIT	Audible alarm buzzer adder .....	110.00
Z66-6193-2K-R	OI-6000 sensor/transmitter w/j-box,0-2000 ppm,10.6 eV lamp,high range sensor, w/2 relays,w/IECEX	2,440.00
Z74-2101341	Master controller per 2101341 .....	14,860.00
Z74-2102197	Master controller per 2102197 .....	16,192.50
ZAN-2.4RIGID-R	Antenna,rigid dipole,2.4 GHz,n-male,right-angle .....	200.00
ZAN-2.4RIGID-S	Antenna,rigid dipole,2.4 GHz,n-male,straight .....	200.00
ZAN-900-FLEX-R	Antenna, flexible dipole, 900 MHz, N-male, right-angle .....	170.00
ZAN-900-RIGID-S	Antenna, rigid dipole, 900 MHz, N-male, straight .....	238.00



# Gas Detection For Life



INSTRUMENTS

RKI Instruments, Inc. 33248 Central Ave. Union City, CA 94587  
(800) 754-5165 • [www.rkiinstruments.com](http://www.rkiinstruments.com)