

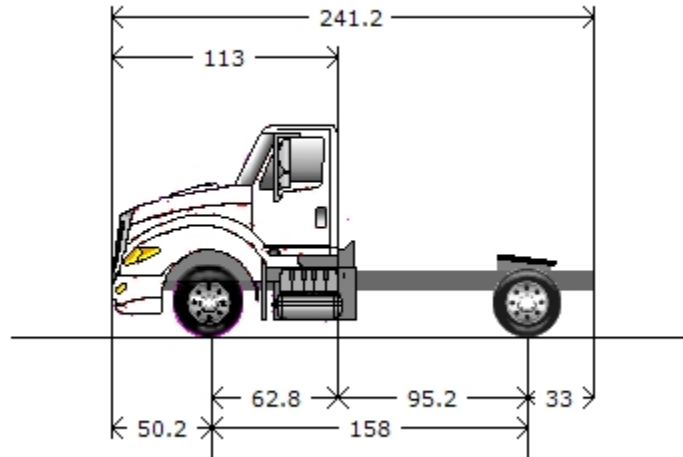
Prepared For:

NC SHERIFFS ASSOC.
 CONTRACT SALES NCSA
 323 W Jones St.
 Raleigh, NC 27603-1365
 (919)743 - 7433
 Reference ID: RH613 4X2

Presented By:

WHITE'S INTERNATIONAL TRUCK
 Rick Beavan
 7045 ALBERT PICK RD,
 PO BOX 18605
 GREENSBORO NC 27419 -
 (336)553-4712

NC SHERIFF'S ASSOC. BID 24-08-0421. STANDARD SPECIFICATIONS FOR THE MODEL ARE SHOWN BELOW. OPTIONAL EQUIPMENT IS AVAILABLE TO CUSTOMIZE VEHICLE TO MEET USER SPECIFICATIONS. ALL OPTIONS ARE DISCOUNTED AT THE PUBLISHED RATE.



Model Profile
2025 RH613 4x2 (RH61A)

MISSION:

Requested GCWR: 80000. Calc. GCWR: 80000. Calc. GVWR: 32350
 Calc. Start / Grade Ability: 11.35% / 1.28% @ 65 MPH
 Calc. Geared Speed: 95.0 MPH

DIMENSION:

Wheelbase: 158.00, CA: 95.20, Axle to Frame: 33.00

ENGINE, DIESEL:

{International A26} EPA 2021, 410HP @ 1700 RPM, 1450 lb-ft Torque @ 900 RPM, 2100 RPM Governed Speed, 410 Peak HP (Max)

TRANSMISSION, AUTOMATIC:

{Allison 3414 RHS} 6th Generation Controls, Close Ratio, 6-Speed with Double Overdrive, Less PTO Provision, Less Retarder, Includes Oil Level Sensor, with 80,000-lb GVW and GCW Max Omit Item (Clutch & Control)

CLUTCH:

AXLE, FRONT NON-DRIVING:

{Hendrickson Steertek NXT} Wide Track, Fabricated Type, 12,350-lb Capacity

AXLE, REAR, SINGLE:

{Meritor RS-23-160} Single Reduction, 23,000-lb Capacity, 200 Wheel Ends Gear Ratio: 4.56

CAB:

Conventional, Day Cab

TIRE, FRONT:

(2) 11R22.5 Load Range G ECOPLUS HS3+ (CONTINENTAL), 495 rev/mile, 75 MPH, All-Position

TIRE, REAR:

(4) 11R22.5 Load Range G HDL2 (CONTINENTAL), 493 rev/mile, 75 MPH, Drive

SUSPENSION, REAR, AIR, SINGLE:

{International IROS} 20,000-lb Capacity, 9.25" Ride Height, with Shock Absorbers

PAINT:

Cab schematic 100HW

Location 1: 9219, Winter White (Std)

Chassis schematic N/A

<u>Description</u>	<u>List</u> (US DOLLAR)
Base Chassis, Model RH613 4x2 with 158.00 Wheelbase, 95.20 CA, and 33.00 Axle to Frame.	\$248,089.00
FRAME RAILS WITH TAPERED REAR	\$0.00
FRAME RAILS Heat Treated Alloy Steel (120,000 PSI Yield); 10.125" x 3.580" x 0.312" (257.2mm x 90.9mm x 8.0mm); 367.4" (9333mm) Maximum OAL	\$0.00
BUMPER, FRONT 3-Piece, Aerodynamic, Plastic, Molded Dark Gray	\$0.00
WHEELBASE RANGE 158" (400cm) Through and Including 185" (470cm)	\$1,166.00
AXLE, FRONT NON-DRIVING {Hendrickson Steertek NXT} Wide Track, Fabricated Type, 12,350-lb Capacity	\$0.00
SUSPENSION, FRONT, SPRING Parabolic Taper Leaf, Shackle Type, 12,350-lb Capacity, with Shock Absorbers	\$0.00
BRAKE SYSTEM, AIR Dual System for Tractor Applications	\$0.00
TRAILER HOSES AND CABLES {Phillips} Straight, Rubber Hose, 14' Working Length, Aluminum Glad Hands with Rubber Seals, Lighting Cable with Nylon Plug	\$30.00
HOSE TENDER Slide Bar with Double Spring Bracket, Bar Extended 4" from Cab	\$153.00
AIR BRAKE ABS {Wabco AntiLock Brake System} 4-Channel (4 Sensor/4 Modulator) Electronic Stability Program, with Automatic Traction Control	\$174.00
AIR DRYER {Bendix AD-HF} with Heater, Includes Pressure Protection Circuits, Safety Valve, Integral Purge Tank, Governor Pressure Settings 110 psi Cut-In/130 psi Cut-Out, Integrated PuraGuard Coalescing Filtration	\$0.00
BRAKE CHAMBERS, REAR AXLE {Bendix EverSure} 30/30 SqrIn Spring Brake	\$0.00
BRAKE CHAMBERS, FRONT AXLE {Bendix} 24 SqrIn	\$0.00
BRAKE, PARKING Manual Push-Pull Pneumatic Parking Brake	\$0.00
SLACK ADJUSTERS, FRONT {Gunite} Automatic	\$0.00
SLACK ADJUSTERS, REAR {Gunite} Automatic	\$0.00
AIR COMPRESSOR {Bendix BA-921 Head Unload} 15.9 CFM	\$0.00
AIR TANK LOCATION (2) Mounted Under Battery Box, Outside Left Rail, Under Cab; Perpendicular to Rail	\$0.00
BRAKES, REAR {Meritor 16.5X7 Q-PLUS LW} Air S-Cam Type, Fabricated Spider, Fabricated Shoe, Double Anchor Pin, Size 16.5" X 7", 20,000-lb Capacity per Axle	\$0.00
BRAKES, FRONT {Meritor 16.5X5 Q-PLUS CAST} Air S-Cam Type, Cast Spider, Fabricated Shoe, Double Anchor Pin, Size 16.5" X 5", 14,700-lb Capacity	\$0.00
STEERING COLUMN Tilting and Telescoping	\$0.00
STEERING WHEEL 4-Spoke; 18" Dia., Black	\$0.00
STEERING GEAR {Sheppard HD94} Power	\$0.00
POWER STEERING OIL COOLER Remote Mounted	\$0.00
DRIVELINE SYSTEM {Dana Spicer} SPL170, for 4x2/6x2	(\$470.00)
AFTERTREATMENT COVER Steel, Black	\$248.00
EXHAUST SYSTEM Horizontal Aftertreatment System, Frame Mounted Right Side Under Cab, for Single Vertical Tail Pipe, Frame Mounted Right Side Back of Cab	\$1,210.00
ENGINE COMPRESSION BRAKE by Jacobs; for N13/A26 Engines, with Selector Switch and On/Off Switch	\$0.00
TAIL PIPE (1) Turnback Type	\$64.00

<u>Description</u>	<u>List</u> (US DOLLAR)
EXHAUST HEIGHT 11' 6"	\$118.00
MUFFLER/TAIL PIPE GUARD (1) Aluminum	\$0.00
ELECTRICAL SYSTEM 12-Volt, Standard Equipment	\$0.00
CIGAR LIGHTER Includes Ash Cup	\$18.00
ALTERNATOR {Leece-Neville AVI160P2013} Brush Type, 12 Volt, 160 Amp Capacity, Pad Mount	\$0.00
BATTERY SYSTEM {JCI} Maintenance-Free, (3) 12-Volt 2250CCA Total, Top Threaded Stud	\$132.00
CB RADIO Omit Power Feeds, Power Source and Wiring	\$0.00
SPEAKERS (2) 6.5" Dual Cone Mounted in Doors	\$0.00
RADIO AM/FM/WB/Clock/Bluetooth/USB Input/Auxiliary Input	(\$403.00)
STOP, TURN, TAIL & B/U LIGHTS Multi-Function Lamp, with LED Lights for Stop, Turn, Tail and Backup Lights, Includes LED License Plate Light	\$0.00
COLLISION MITIGATION SYSTEM Omit	(\$3,576.00)
LIGHT, WORK Pedestal Mounted, Back of Cab, with Switch on Instrument Panel	\$48.00
TEST EXTERIOR LIGHTS Pre-Trip Inspection will Cycle all Exterior Lamps Except Back-up Lights	\$0.00
HEADLIGHTS ON W/WIPERS Headlights Will Automatically Turn on if Windshield Wipers are turned on	\$0.00
HEADLIGHT WARNING BUZZER Sounds When Head Light Switch is on and Ignition Switch is in "Off" Position	\$0.00
STARTING MOTOR {Mitsubishi Electric Automotive America 105P} 12-Volt, with Soft-Start	\$0.00
CIRCUIT BREAKERS Manual-Reset (Main Panel) SAE Type III with Trip Indicators, Replaces All Fuses	\$0.00
BATTERY BOX Steel, 30" Wide, 2-4 Battery Capacity, Mounted Left Side Under Cab	\$0.00
BATTERY BOX COVER Plastic	\$248.00
HORN, AIR Single Trumpet, Black, with Lanyard Pull Cord	\$0.00
SWITCH, MARKER INTERRUPT for Marker Lights and Headlights, Located in Steering Wheel	\$0.00
HEADLIGHTS Halogen, with Daytime Running Lights, Automatic Twilight Controlled	(\$848.00)
CONNECTOR, DASH, CENTER PANEL Cab Wiring for TMC RP1226 Vehicle Accessory Connector; Includes 14-pin Connector with Switched Power, Battery Power, Ignition Power, Ground & Body 250K Datalink, Connector Located Behind Instrument Panel Center Console	\$0.00
LOGOS EXTERIOR Model Badges	\$0.00
LOGOS EXTERIOR, ENGINE Badges	\$0.00
GRILLE Chrome	\$0.00
FRONT END Tilting, Fiberglass, with Three Piece Construction	\$0.00
FENDER EXTENSIONS Molded in Gray	\$0.00
PAINT SCHEMATIC, PT-1 Single Color, Design 100	\$0.00
PAINT TYPE Base Coat/Clear Coat, 1-2 Tone	\$0.00
INTELLIGENT FLEET CARE Telematics Device with Over the Air Programming; Includes Five Year Data Plan, Advanced Preventive Maintenance, Fleet Health Monitor Reporting and International 360	\$0.00
FIFTH WHEEL, AIR SLIDE {Fontaine SL6NWB875024} 24" Slide, 8.75" Above Top of Frame, Left Hand Release	\$161.00

<u>Description</u>	<u>List</u> (US DOLLAR)
MUD FLAP HOLDER Spring Loaded, Painted Black, with Red and White Reflective Tape, Less Flaps	\$0.00
MUD FLAPS, REAR Black Poly, with International Logo, Less Holders	\$58.00
CLUTCH Omit Item (Clutch & Control)	\$0.00
ANTI-FREEZE Red, Extended Life Coolant; To -40 Degrees F/ -40 Degrees C, Freeze Protection	\$0.00
ENGINE, DIESEL {International A26} EPA 2021, 410HP @ 1700 RPM, 1450 lb-ft Torque @ 900 RPM, 2100 RPM Governed Speed, 410 Peak HP (Max)	\$0.00
FAN DRIVE {Horton Drivemaster} Automatic On/Off Type, with Normally Closed Temperature Control	\$0.00
AIR CLEANER Single Element	\$0.00
EMISSION, CALENDAR YEAR {International A26} EPA, OBD and GHG Certified for Calendar Year 2023	\$0.00
HOSE CLAMPS, RADIATOR HOSES {Gates} Shrink Band Type	\$0.00
COLD STARTING EQUIPMENT Automatic; with Engine ECM Control	\$168.00
RADIATOR DRAIN & FILL FITTING SPECIAL; To Vacuum Out or Fill the Cooling System from the Bottom of Radiator, for Use with Quick-Connect Radiator Drain Tool or Shop Coolant Evacuation-Fill System	\$0.00
CARB IDLE COMPLIANCE Low NOx Idle Engine, Complies with California Clean Air Regulations; Includes "Certified Clean Idle" Decal on Hood	\$97.00
RADIATOR Aluminum, Welded, Down Flow, Front to Back System, 1325 Sqn, with 806 Sqn Charge Air Cooler	\$0.00
CRUISE CONTROL Omit Predictive Cruise Control	(\$668.00)
CARB EMISSION WARR COMPLIANCE Federal, Does Not Comply with CARB Emission Warranty	\$0.00
TRANSMISSION, AUTOMATIC {Allison 3414 RHS} 6th Generation Controls, Close Ratio, 6-Speed with Double Overdrive, Less PTO Provision, Less Retarder, Includes Oil Level Sensor, with 80,000-lb GVW and GCW Max	\$7,399.00
OIL COOLER, TRANSMISSION {Modine} Water to Oil Type	\$898.00
TRANSMISSION SHIFT CONTROL Column Mounted Stalk Shifter, Not for Use with Allison 1000 & 2000 Series Transmission	\$50.00
TRANSMISSION OIL Synthetic; 29 thru 42 Pints	\$118.00
ALLISON SPARE INPUT/OUTPUT for Highway Series (HS) and Regional Haul Series (RHS), General Purpose Trucks, Package Number 223	\$0.00
PTO LOCATION Customer Does Not Intend to Install PTO	\$0.00
SHIFT CONTROL PARAMETERS {Allison} 3000 or 4000 Series Transmissions, with DynActive, Dynamic Shift Sensing, Neutral at Stop-Premium, with Coast Mode and Acceleration Rate Management (FuelSense 2.0 Max)	\$815.00
AXLE, REAR, SINGLE {Meritor RS-23-160} Single Reduction, 23,000-lb Capacity, 200 Wheel Ends . Gear Ratio: 4.56	\$0.00
SUSPENSION AIR CONTROL VALVE Pressure Release Control In Cab	\$163.00
SUSPENSION, REAR, AIR, SINGLE {International IROS} 20,000-lb Capacity, 9.25" Ride Height, with Shock Absorbers	\$0.00
AXLE, REAR, LUBE {EmGard FE-75W-90} Synthetic Oil; 30 thru 39.99 Pints	\$0.00
AXLE SHAFT MODIFICATION Axle Shaft Flanges Modified for 0.625" Diameter Drive Studs with Solid Type Cone-Locks	\$249.00
FUEL/WATER SEPARATOR {Davco Fuel Pro 382} 12 VDC Electric Heater, Includes Pre-Heater, Includes Water-in-Fuel Sensor	\$193.00
FUEL TANK Top Draw, Non-Polished Aluminum, 26" Dia, 70 US Gal (265L), Mounted Left Side, Back of Cab/Under Sleeper	\$0.00

<u>Description</u>	<u>List</u>
	(US DOLLAR)
DEF TANK 10.6 US Gal (40L) Capacity, Frame Mounted Outside Left Rail, Back of Cab/Under Sleeper	\$0.00
CAB Conventional, Day Cab	\$0.00
AIR CONDITIONER with Integral Heater and Defroster	\$0.00
GAUGE CLUSTER Base Level; English with English Electronic Speedometer	(\$488.00)
GAUGE, TEMPERATURE, AMBIENT Sensor Wiring with Display Unit Mounted in Cluster	\$0.00
SEAT, DRIVER {National 2000 Model 295} Air Suspension, Intermediate Back, All Vinyl, 2 Arm Rests, Isolator, 7" Adjuster, 1 Chamber Lumbar, 2 Position Front Cushion Adjust, 3-14 Degree Back Angle Adjust	\$0.00
SEAT, PASSENGER {National 2000} Non Suspension, Intermediate Back, All Vinyl, 11 Degree Back Angle	\$0.00
MIRROR, CONVEX, HOOD MOUNTED (2) Right and Left Sides, Black	\$213.00
MIRRORS (2) C-Loop, Heated, Black Heads and Arms, 7.5" x 14" Flat Glass, Includes 7.5" x 7" Convex Mirrors, for 102" Load Width	(\$268.00)
CAB INTERIOR TRIM Classic, for Day Cab	\$0.00
MONITOR, TIRE PRESSURE Omit	(\$696.00)
WINDOW, POWER (2) and Power Door Locks, Left and Right Doors, Includes Express Down Feature	\$0.00
INSTRUMENT PANEL Wing Panel	\$0.00
ACCESS, CAB Steel, Driver & Passenger Sides, Two Steps per Door, for use with Day Cab or Sleeper Cab	\$0.00
WHEELS, FRONT {Accuride 51408} DISC; 22.5x8.25 Rims, Powder Coat Steel, 2-Hand Hole, 10-Stud, 285.75mm BC, Hub-Piloted, Flanged Nut, with Steel Hubs	(\$561.00)
WHEELS, REAR {Accuride 51408} DUAL DISC; 22.5x8.25 Rims, Powder Coat Steel, 2-Hand Hole, 10-Stud, 285.75mm BC, Hub-Piloted, Flanged Nut, with Steel Hubs	(\$1,148.00)
WHEEL COVER, REAR Aerodynamic, 22.5", Black	\$0.00
(4) TIRE, REAR 11R22.5 Load Range G HDL2 (CONTINENTAL), 493 rev/mile, 75 MPH, Drive	(\$284.00)
(2) TIRE, FRONT 11R22.5 Load Range G ECOPLUS HS3+ (CONTINENTAL), 495 rev/mile, 75 MPH, All-Position	\$54.00
FIFTH WHEEL LOCATION On Rear Axle Centerline	\$0.00
Total of Product Features	\$252,924.00
Services Section:	
WARRANTY Standard for LT/RH Series, Effective with Vehicles Built January 2, 2016 or Later, CTS-2010A	\$0.00
Total of Service Features	\$0.00
Total List Price Including Options:	\$252,924.00
	(US DOLLAR)
	(US DOLLAR)
SAFETY EQUIPMENT & NC OR DOT INSPECTION.	\$150.00
PDI AND DEALER PREP.	\$200.00

Description

List
(US DOLLAR)
\$0.00

ADDITIONAL OPTIONS ARE AVAILABLE UPON REQUEST.
MATERIAL & GOVERNMENT SURCHARGES ARE NOT DISCOUNTED.
LOCAL INSTALLATIONS BILLED AT NET PRICE, NOT DISCOUNTED.

ADDTL. FLOOR PLAN REQUIRED.

\$463.27

Total Goods Purchased:

\$813.27

(US DOLLAR)

Description

Price

Net Sales Price:

\$132,327.83

Please feel free to contact me regarding these specifications should your interests or needs change. I am confident you will be pleased with the quality and service of an International vehicle.

Note: General surcharges included in this proposal will not increase unless the PPI Industry code, Transportation Equipment Truck and Bus Body-WPU1413 exceeds a 5% increase from December 2021 to December 2022, The surcharges are subject to reduction if commodity costs decline. (The General surcharge excludes features code driven surcharges such as tires, engine GHG, Government mandates, etc)

Approved by Seller:

Accepted by Purchaser:

Official Title and Date

Firm or Business Name

Authorized Signature

Authorized Signature and Date

WHITE'S INTERNATIONAL TRUCK
7045 ALBERT PICK RD,
PO BOX 18605
GREENSBORO NC 27419 -
(336)553-4712

This proposal is not binding upon the seller without Seller's Authorized Signature

Official Title and Date

The TOPS FET calculation is an estimate for reference purposes only. The seller or retailer is responsible for calculating and reporting/paying appropriate FET to the IRS.

The limited warranties applicable to the vehicles described herein are Navistar, Inc.'s standard printed warranties which are incorporated herein by reference and to which you have been provided a copy and hereby agree to their terms and conditions.

(US DOLLAR)

NORTH CAROLINA SHERIFFS ASSOC.

Reference ID: RH613 4X2

Price Date: 10/14/2022

	Sales Price	Dealer Net	Gross Profit
Chassis [248,089.00]	\$198,471.20	\$198,471.20	\$0.00
Opt. Attach Incl. in SPA [4,738.00]	\$3,790.40	\$3,790.40	
Product excl. from SPA [97.00]	\$97.00	\$97.00	
Service excl. from SPA [0.00]	\$0.00	\$0.00	
Markup (Product) [4.94%]	\$10,000.00		\$10,000.00
Markup (Service)	\$0.00		\$0.00
Goods Purchased	\$813.27	\$813.27	\$0.00
Special P & D	\$14,152.84	\$14,152.84	\$0.00
Freight	\$3,100.00	\$3,100.00	
Other Allowances	\$0.00	\$0.00	
SPA Number1399G [48.50%]	(\$98,096.88)	(\$98,096.88)	
Total Vehicle Price	\$132,327.83	\$122,327.83	\$10,000.00
Total Body/Allied Equipment	\$0.00	\$0.00	\$0.00
Extended Warranty	\$0.00	\$0.00	\$0.00
Sale Price without FET	\$132,327.83	\$122,327.83	
FET (Exempt)	\$0.00		
Per Veh Adj [0.00]			
FET Exempt Product Adj: [0.00]			
FET Exempt Service Adj: [0.00]			
FET Amount @ 12% [0.00]			
Front Tire FET [0.00]			
Rear Tire FET [0.00]			
Sale Price Per Vehicle	\$132,327.83		\$10,000.00
Sale Price 1 Vehicle	\$132,327.83		\$10,000.00
Trade Allowances	\$0.00	\$0.00	\$0.00
License, Title, Taxes	\$0.00		
Sales Commission			\$0.00
Total Sale 1 Vehicle	\$132,327.83		\$10,000.00

SQ Numbers:

710616-002/004523W

	Unit Codes	Description	DNet	List
CM		WHEELBASE: 158.00		
CM		AXLE TO FRAME: 33.00		
CM	001616	FRAME RAILS WITH TAPERED REAR	\$0.00	\$0.00
CM	001CBV	FRAME RAILS Heat Treated Alloy Steel (120,000 PSI Yield); 10.125" x 3.580" x 0.312" (257.2mm x 90.9mm x 8.0mm); 367.4" (9333mm) Maximum OAL	\$0.00	\$0.00
CM	001LRL	BUMPER, FRONT 3-Piece, Aerodynamic, Plastic, Molded Dark Gray	\$0.00	\$0.00
CM	001WKN	WHEELBASE RANGE 158" (400cm) Through and Including 185" (470cm)	\$932.80	\$1,166.00
CM USER	002AUD	AXLE, FRONT NON-DRIVING {Hendrickson Steertek NXT} Wide Track, Fabricated Type, 12,350-lb Capacity	\$0.00	\$0.00

	<u>Unit Codes</u>	<u>Description</u>	<u>DNet</u>	<u>List</u>
CM USER	003AHN	SUSPENSION, FRONT, SPRING Parabolic Taper Leaf, Shackle Type, 12,350-lb Capacity, with Shock Absorbers	\$0.00	\$0.00
CM	004092	BRAKE SYSTEM, AIR Dual System for Tractor Applications	\$0.00	\$0.00
CM	004803	TRAILER HOSES AND CABLES {Phillips} Straight, Rubber Hose, 14' Working Length, Aluminum Glad Hands with Rubber Seals, Lighting Cable with Nylon Plug	\$24.00	\$30.00
CM	004809	HOSE TENDER Slide Bar with Double Spring Bracket, Bar Extended 4" from Cab	\$122.40	\$153.00
CM	004AAS	AIR BRAKE ABS {Wabco AntiLock Brake System} 4-Channel (4 Sensor/4 Modulator) Electronic Stability Program, with Automatic Traction Control	\$139.20	\$174.00
CM USER	004EDM	AIR DRYER {Bendix AD-HF} with Heater, Includes Pressure Protection Circuits, Safety Valve, Integral Purge Tank, Governor Pressure Settings 110 psi Cut-In/130 psi Cut-Out, Integrated PuraGuard Coalescing Filtration	\$0.00	\$0.00
CM	004EXU	BRAKE CHAMBERS, REAR AXLE {Bendix EverSure} 30/30 SqIn Spring Brake	\$0.00	\$0.00
CM	004EXV	BRAKE CHAMBERS, FRONT AXLE {Bendix} 24 SqIn	\$0.00	\$0.00
CM	004GBM	BRAKE, PARKING Manual Push-Pull Pneumatic Parking Brake	\$0.00	\$0.00
CM	004LAG	SLACK ADJUSTERS, FRONT {Gunite} Automatic	\$0.00	\$0.00
CM	004LGG	SLACK ADJUSTERS, REAR {Gunite} Automatic	\$0.00	\$0.00
CM	004SPM	AIR COMPRESSOR {Bendix BA-921 Head Unload} 15.9 CFM	\$0.00	\$0.00
CM	004VHW	AIR TANK LOCATION (2) Mounted Under Battery Box, Outside Left Rail, Under Cab; Perpendicular to Rail	\$0.00	\$0.00
CM	004XDE	BRAKES, REAR {Meritor 16.5X7 Q-PLUS LW} Air S-Cam Type, Fabricated Spider, Fabricated Shoe, Double Anchor Pin, Size 16.5" X 7", 20,000-lb Capacity per Axle	\$0.00	\$0.00
CM	004XDP	BRAKES, FRONT {Meritor 16.5X5 Q-PLUS CAST} Air S-Cam Type, Cast Spider, Fabricated Shoe, Double Anchor Pin, Size 16.5" X 5", 14,700-lb Capacity	\$0.00	\$0.00
CM USER	005710	STEERING COLUMN Tilting and Telescoping	\$0.00	\$0.00
CM	005CAW	STEERING WHEEL 4-Spoke; 18" Dia., Black	\$0.00	\$0.00
CM	005PSM	STEERING GEAR {Sheppard HD94} Power	\$0.00	\$0.00
SE USER	005WAJ	POWER STEERING OIL COOLER Remote Mounted	\$0.00	\$0.00
CM USER	006DGC	DRIVELINE SYSTEM {Dana Spicer} SPL170, for 4x2/6x2	(\$376.00)	(\$470.00)
CM	007BEV	AFTERTREATMENT COVER Steel, Black	\$198.40	\$248.00
CM USER	007BLW	EXHAUST SYSTEM Horizontal Aftertreatment System, Frame Mounted Right Side Under Cab, for Single Vertical Tail Pipe, Frame Mounted Right Side Back of Cab	\$968.00	\$1,210.00

	<u>Unit Codes</u>	<u>Description</u>	<u>DNet</u>	<u>List</u>
CM USER	007SDK	ENGINE COMPRESSION BRAKE by Jacobs; for N13/A26 Engines, with Selector Switch and On/Off Switch	\$0.00	\$0.00
CM USER	007WAZ	TAIL PIPE (1) Turnback Type	\$51.20	\$64.00
CM USER	007WBU	EXHAUST HEIGHT 11' 6"	\$94.40	\$118.00
CM USER	007WDN	MUFFLER/TAIL PIPE GUARD (1) Aluminum	\$0.00	\$0.00
CM	008000	ELECTRICAL SYSTEM 12-Volt, Standard Equipment	\$0.00	\$0.00
CM USER	008518	CIGAR LIGHTER Includes Ash Cup	\$14.40	\$18.00
CM	008GXJ	ALTERNATOR {Leece-Neville AVI160P2013} Brush Type, 12 Volt, 160 Amp Capacity, Pad Mount	\$0.00	\$0.00
CM USER	008NBH	BATTERY SYSTEM {JCI} Maintenance-Free, (3) 12-Volt 2250CCA Total, Top Threaded Stud	\$105.60	\$132.00
CM	008RJW	CB RADIO Omit Power Feeds, Power Source and Wiring	\$0.00	\$0.00
CM USER	008RMV	SPEAKERS (2) 6.5" Dual Cone Mounted in Doors	\$0.00	\$0.00
CM USER	008RPS	RADIO AM/FM/WB/Clock/Bluetooth/USB Input/Auxiliary Input	(\$322.40)	(\$403.00)
CM	008TPP	STOP, TURN, TAIL & B/U LIGHTS Multi-Function Lamp, with LED Lights for Stop, Turn, Tail and Backup Lights, Includes LED License Plate Light	\$0.00	\$0.00
CM USER	008TUT	COLLISION MITIGATION SYSTEM Omit	(\$2,860.80)	(\$3,576.00)
CM USER	008WLL	LIGHT, WORK Pedestal Mounted, Back of Cab, with Switch on Instrument Panel	\$38.40	\$48.00
CM	008WPZ	TEST EXTERIOR LIGHTS Pre-Trip Inspection will Cycle all Exterior Lamps Except Back-up Lights	\$0.00	\$0.00
CM	008WRB	HEADLIGHTS ON W/WIPERS Headlights Will Automatically Turn on if Windshield Wipers are turned on	\$0.00	\$0.00
CM	008WXB	HEADLIGHT WARNING BUZZER Sounds When Head Light Switch is on and Ignition Switch is in "Off" Position	\$0.00	\$0.00
CM	008WXG	STARTING MOTOR {Mitsubishi Electric Automotive America 105P} 12-Volt, with Soft-Start	\$0.00	\$0.00
CM	008XAH	CIRCUIT BREAKERS Manual-Reset (Main Panel) SAE Type III with Trip Indicators, Replaces All Fuses	\$0.00	\$0.00
CM	008XHL	BATTERY BOX Steel, 30" Wide, 2-4 Battery Capacity, Mounted Left Side Under Cab	\$0.00	\$0.00
CM	008XHM	BATTERY BOX COVER Plastic	\$198.40	\$248.00
CM	008XHN	HORN, AIR Single Trumpet, Black, with Lanyard Pull Cord	\$0.00	\$0.00
CM USER	008XHX	SWITCH, MARKER INTERRUPT for Marker Lights and Headlights, Located in Steering Wheel	\$0.00	\$0.00
CM USER	008XKC	HEADLIGHTS Halogen, with Daytime Running Lights, Automatic Twilight Controlled	(\$678.40)	(\$848.00)
CM	008XMB	CONNECTOR, DASH, CENTER PANEL Cab Wiring for TMC RP1226 Vehicle Accessory Connector; Includes 14-pin Connector with Switched Power, Battery Power, Ignition Power, Ground & Body 250K Datalink,	\$0.00	\$0.00

	<u>Unit Codes</u>	<u>Description</u>	<u>DNet</u>	<u>List</u>
		Connector Located Behind Instrument Panel Center Console		
CM	009AAB	LOGOS EXTERIOR Model Badges	\$0.00	\$0.00
CM	009AAE	LOGOS EXTERIOR, ENGINE Badges	\$0.00	\$0.00
CM	009HAD	GRILLE Chrome	\$0.00	\$0.00
CM	009WAY	FRONT END Tilting, Fiberglass, with Three Piece Construction	\$0.00	\$0.00
CM USER	009WBP	FENDER EXTENSIONS Molded in Gray	\$0.00	\$0.00
CM	010060	PAINT SCHEMATIC, PT-1 Single Color, Design 100	\$0.00	\$0.00
CM	010761	PAINT TYPE Base Coat/Clear Coat, 1-2 Tone	\$0.00	\$0.00
CM	010AEU	INTELLIGENT FLEET CARE Telematics Device with Over the Air Programming; Includes Five Year Data Plan, Advanced Preventive Maintenance, Fleet Health Monitor Reporting and International 360	\$0.00	\$0.00
CM USER	010HZU	FIFTH WHEEL, AIR SLIDE {Fontaine SL6NWB875024} 24" Slide, 8.75" Above Top of Frame, Left Hand Release	\$128.80	\$161.00
CM	010WPR	MUD FLAP HOLDER Spring Loaded, Painted Black, with Red and White Reflective Tape, Less Flaps	\$0.00	\$0.00
CM	010WSX	MUD FLAPS, REAR Black Poly, with International Logo, Less Holders	\$46.40	\$58.00
CM USER	011001	CLUTCH Omit Item (Clutch & Control)	\$0.00	\$0.00
CM	012703	ANTI-FREEZE Red, Extended Life Coolant; To -40 Degrees F/ -40 Degrees C, Freeze Protection	\$0.00	\$0.00
SE USER	012BEV	ENGINE, DIESEL {International A26} EPA 2021, 410HP @ 1700 RPM, 1450 lb-ft Torque @ 900 RPM, 2100 RPM Governed Speed, 410 Peak HP (Max)	\$0.00	\$0.00
CM	012THJ	FAN DRIVE {Horton Drivemaster} Automatic On/Off Type, with Normally Closed Temperature Control	\$0.00	\$0.00
CM	012VBC	AIR CLEANER Single Element	\$0.00	\$0.00
CM USER	S 012VJK	EMISSION, CALENDAR YEAR {International A26} EPA, OBD and GHG Certified for Calendar Year 2023	\$0.00	\$0.00
CM	012WCX	HOSE CLAMPS, RADIATOR HOSES {Gates} Shrink Band Type	\$0.00	\$0.00
CM USER	012WEG	COLD STARTING EQUIPMENT Automatic; with Engine ECM Control	\$134.40	\$168.00
CM	012WYZ	RADIATOR DRAIN & FILL FITTING SPECIAL; To Vacuum Out or Fill the Cooling System from the Bottom of Radiator, for Use with Quick-Connect Radiator Drain Tool or Shop Coolant Evacuation-Fill System	\$0.00	\$0.00
CM USER	S 012WZB	CARB IDLE COMPLIANCE Low NOx Idle Engine, Complies with California Clean Air Regulations; Includes "Certified Clean Idle" Decal on Hood	\$97.00	\$97.00
CM	012XBC	RADIATOR Aluminum, Welded, Down Flow, Front to Back System, 1325 SqIn, with 806 SqIn Charge Air Cooler	\$0.00	\$0.00
CM USER	012XCG	CRUISE CONTROL Omit Predictive Cruise Control	(\$534.40)	(\$668.00)

		<u>Unit Codes</u>	<u>Description</u>	<u>DNet</u>	<u>List</u>
CM	S	012XCS	CARB EMISSION WARR COMPLIANCE Federal, Does Not Comply with CARB Emission Warranty	\$0.00	\$0.00
CM USER		013BDJ	TRANSMISSION, AUTOMATIC {Allison 3414 RHS} 6th Generation Controls, Close Ratio, 6- Speed with Double Overdrive, Less PTO Provision, Less Retarder, Includes Oil Level Sensor, with 80,000-lb GVW and GCW Max	\$5,919.20	\$7,399.00
CM USER		013WAW	OIL COOLER, TRANSMISSION {Modine} Water to Oil Type	\$718.40	\$898.00
CM USER		013WET	TRANSMISSION SHIFT CONTROL Column Mounted Stalk Shifter, Not for Use with Allison 1000 & 2000 Series Transmission	\$40.00	\$50.00
CM USER		013WLP	TRANSMISSION OIL Synthetic; 29 thru 42 Pints	\$94.40	\$118.00
CM USER		013WUB	ALLISON SPARE INPUT/OUTPUT for Highway Series (HS) and Regional Haul Series (RHS), General Purpose Trucks, Package Number 223	\$0.00	\$0.00
CM USER		013XAN	PTO LOCATION Customer Does Not Intend to Install PTO	\$0.00	\$0.00
CM		013XBG	SHIFT CONTROL PARAMETERS {Allison} 3000 or 4000 Series Transmissions, with DynActive, Dynamic Shift Sensing, Neutral at Stop-Premium, with Coast Mode and Acceleration Rate Management (FuelSense 2.0 Max)	\$652.00	\$815.00
CM		014051	AXLE, REAR, SINGLE {Meritor RS-23-160} Single Reduction, 23,000-lb Capacity, 200 Wheel Ends	\$0.00	\$0.00
CM		014899	SUSPENSION AIR CONTROL VALVE Pressure Release Control In Cab	\$130.40	\$163.00
CM		014TBJ	SUSPENSION, REAR, AIR, SINGLE {International IROS} 20,000-lb Capacity, 9.25" Ride Height, with Shock Absorbers	\$0.00	\$0.00
CM		014WMG	AXLE, REAR, LUBE {EmGard FE-75W-90} Synthetic Oil; 30 thru 39.99 Pints	\$0.00	\$0.00
CM		014WZY	AXLE SHAFT MODIFICATION Axle Shaft Flanges Modified for 0.625" Diameter Drive Studs with Solid Type Cone-Locks	\$199.20	\$249.00
CM USER		015LKX	FUEL/WATER SEPARATOR {Davco Fuel Pro 382} 12 VDC Electric Heater, Includes Pre- Heater, Includes Water-in-Fuel Sensor	\$154.40	\$193.00
CM USER		015SYK	FUEL TANK Top Draw, Non-Polished Aluminum, 26" Dia, 70 US Gal (265L), Mounted Left Side, Back of Cab/Under Sleeper	\$0.00	\$0.00
CM		015WDM	DEF TANK 10.6 US Gal (40L) Capacity, Frame Mounted Outside Left Rail, Back of Cab/Under Sleeper	\$0.00	\$0.00
CM		016030	CAB Conventional, Day Cab	\$0.00	\$0.00
CM		016BAM	AIR CONDITIONER with Integral Heater and Defroster	\$0.00	\$0.00
CM USER		016GED	GAUGE CLUSTER Base Level; English with English Electronic Speedometer	(\$390.40)	(\$488.00)
CM		016HCS	GAUGE, TEMPERATURE, AMBIENT Sensor Wiring with Display Unit Mounted in Cluster	\$0.00	\$0.00

	<u>Unit Codes</u>	<u>Description</u>	<u>DNet</u>	<u>List</u>
CM USER	016KAM	SEAT, DRIVER {National 2000 Model 295} Air Suspension, Intermediate Back, All Vinyl, 2 Arm Rests, Isolator, 7" Adjuster, 1 Chamber Lumbar, 2 Position Front Cushion Adjust, 3-14 Degree Back Angle Adjust	\$0.00	\$0.00
CM USER	016REP	SEAT, PASSENGER {National 2000} Non Suspension, Intermediate Back, All Vinyl, 11 Degree Back Angle	\$0.00	\$0.00
CM USER	016SNJ	MIRROR, CONVEX, HOOD MOUNTED (2) Right and Left Sides, Black	\$170.40	\$213.00
CM	016SNM	MIRRORS (2) C-Loop, Heated, Black Heads and Arms, 7.5" x 14" Flat Glass, Includes 7.5" x 7" Convex Mirrors, for 102" Load Width	(\$214.40)	(\$268.00)
CM	016VKB	CAB INTERIOR TRIM Classic, for Day Cab	\$0.00	\$0.00
CM USER	016VLV	MONITOR, TIRE PRESSURE Omit	(\$556.80)	(\$696.00)
CM	016WJU	WINDOW, POWER (2) and Power Door Locks, Left and Right Doors, Includes Express Down Feature	\$0.00	\$0.00
CM	016XJP	INSTRUMENT PANEL Wing Panel	\$0.00	\$0.00
CM	016ZBS	ACCESS, CAB Steel, Driver & Passenger Sides, Two Steps per Door, for use with Day Cab or Sleeper Cab	\$0.00	\$0.00
CM	027DUW	WHEELS, FRONT {Accuride 51408} DISC; 22.5x8.25 Rims, Powder Coat Steel, 2-Hand Hole, 10-Stud, 285.75mm BC, Hub-Piloted, Flanged Nut, with Steel Hubs	(\$448.80)	(\$561.00)
CM	028DUW	WHEELS, REAR {Accuride 51408} DUAL DISC; 22.5x8.25 Rims, Powder Coat Steel, 2-Hand Hole, 10-Stud, 285.75mm BC, Hub-Piloted, Flanged Nut, with Steel Hubs	(\$918.40)	(\$1,148.00)
CM	029CAG	WHEEL COVER, REAR Aerodynamic, 22.5", Black	\$0.00	\$0.00
CM REAR	7372135432	(4) TIRE, REAR 11R22.5 Load Range G HDL2 (CONTINENTAL), 493 rev/mile, 75 MPH, Drive	(\$227.20)	(\$284.00)
CM FRNT	7372135443	(2) TIRE, FRONT 11R22.5 Load Range G ECOPLUS HS3+ (CONTINENTAL), 495 rev/mile, 75 MPH, All-Position	\$43.20	\$54.00
CM USER	810000	FIFTH WHEEL LOCATION On Rear Axle Centerline	\$0.00	\$0.00
CM	FS 040125	WARRANTY Standard for LT/RH Series, Effective with Vehicles Built January 2, 2016 or Later, CTS-2010A	\$0.00	\$0.00

GOODS PURCHASED

SAFETY EQUIPMENT & NC OR DOT INSPECTION.	\$150.00
PDI AND DEALER PREP.	\$200.00
ADDITIONAL OPTIONS ARE AVAILABLE UPON REQUEST.	\$0.00
MATERIAL & GOVERNMENT SURCHARGES ARE NOT DISCOUNTED.	
LOCAL INSTALLATIONS BILLED AT NET PRICE, NOT DISCOUNTED.	
ADDTL. FLOOR PLAN REQUIRED.	\$463.27
	=====
TOTAL	\$813.27

SPECIAL P & D

TITLE & PROC. FEE	\$50.00
NCSA FEE.	\$865.00
NEW TRUCK CHECK IN	\$90.60
MATERIAL SURCHARGE.	\$3,000.00
'24 EPA EMISSION SURCHARGE.	\$8,000.00
2% ANNUAL INCREASE.	\$2,147.24
	=====
TOTAL	\$14,152.84

FREIGHT

Freight	\$3,100.00
	=====
TOTAL	\$3,100.00

The TOPS FET calculation is an estimate for reference purposes only. The seller or retailer is responsible for calculating and reporting/paying appropriate FET to the IRS.