

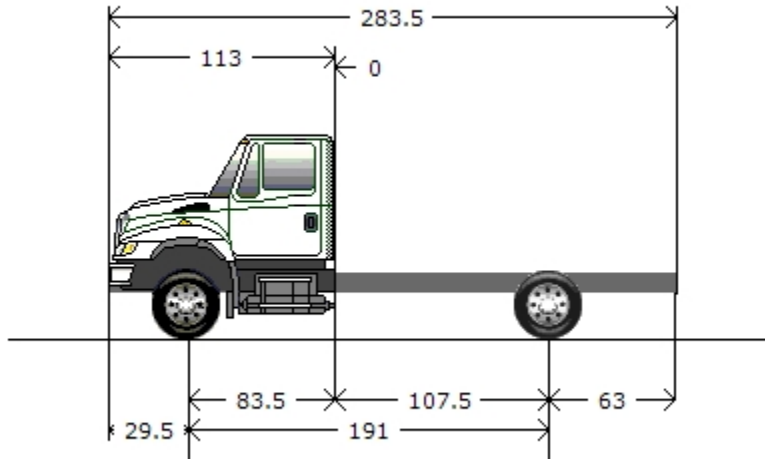
Prepared For:

NC SHERIFFS ASSOC.
 CONTRACT SALES NCSA
 323 W Jones St.
 Raleigh, NC 27603-1365
 (919)743 - 7433
 Reference ID: HV513

Presented By:

WHITE'S INTERNATIONAL TRUCK
 Rick Beavan
 7045 ALBERT PICK RD,
 PO BOX 18605
 GREENSBORO NC 27419 -
 (336)553-4712

NC SHERIFF'S ASSOC. BID 24-08-0421. STANDARD SPECIFICATIONS FOR THE MODEL ARE SHOWN BELOW. OPTIONAL EQUIPMENT IS AVAILABLE TO CUSTOMIZE VEHICLE TO MEET USER SPECIFICATIONS. ALL OPTIONS ARE DISCOUNTED AT THE PUBLISHED RATE.



Model Profile
2025 HV513 SFA (HV513)

AXLE CONFIG:	4X2
MISSION:	Requested GVWR: 35000. Calc. GVWR: 35000. Calc. GCWR: 80000 Calc. Start / Grade Ability: 27.82% / 4.39% @ 55 MPH Calc. Geared Speed: 80.4 MPH
DIMENSION:	Wheelbase: 191.00, CA: 107.50, Axle to Frame: 63.00
ENGINE, DIESEL:	{International A26} EPA 2021, 365HP @ 1700 RPM, 1250 lb-ft Torque @ 900 RPM, 2100 RPM Governed Speed, 365 Peak HP (Max)
TRANSMISSION, AUTOMATIC:	{Allison 3000 RDS} 6th Generation Controls, Close Ratio, 6-Speed with Double Overdrive, with PTO Provision, Less Retarder, Includes Oil Level Sensor, with 80,000-lb GVW and GCW Max, On/Off Highway
CLUTCH:	Omit Item (Clutch & Control)
AXLE, FRONT NON-DRIVING:	{Meritor MFS-12-143A} Wide Track, I-Beam Type, 12,000-lb Capacity
AXLE, REAR, SINGLE:	{Meritor RS-23-160} Single Reduction, 23,000-lb Capacity, 200 Wheel Ends Gear Ratio: 4.89
CAB:	Conventional, Day Cab
TIRE, FRONT:	(2) 11R22.5 Load Range G ECOPLUS HS3+ (CONTINENTAL), 495 rev/mile, 75 MPH, All-Position
TIRE, REAR:	(4) 11R22.5 Load Range G HDL2 (CONTINENTAL), 493 rev/mile, 75 MPH, Drive
SUSPENSION, REAR, SINGLE:	23,500-lb Capacity, Vari-Rate Springs, with 4500-lb Capacity Auxiliary Rubber Springs
PAINT:	Cab schematic 100WM Location 1: 9219, Winter White (Std) Chassis schematic N/A