

TECHNICAL SPECIFICATION

PINNACLE 84T DAYCAB



| | | | WEIGHT (LB) | |
|----------------------|-------------------------------|--|-------------|------|
| APPLICATION PACKAGES | DESCRIPTION | | FRONT | REAR |
| MPK0YK | CHASSIS CONFIGURATION PACKAGE | ONEBOX EATS, RIGHT FRONT BATTERY BOX, 11.8 GALLON (45L) DEF, SINGLE 26" LH FUEL TANK | 0 | 0 |

| | | | WEIGHT (LB) | | |
|-----------------------|-------------|--|---|--------|-------|
| CUSTOMER/VEHICLE INFO | DESCRIPTION | | FRONT | REAR | |
| S | 002HZ2 | CHASSIS (BASE MODEL) | PINNACLE 84T DAYCAB | 10,076 | 4,180 |
| S | 99X93X | ASSEMBLY PLANT | Made in Macungie, PA USA | 0 | 0 |
| | MP2001 | CUSTOMER FLEET SIZE | DEALER FLEET WITH LESS THAN 25 VEHICLES IN OWN FLEET OF ANY VEHICLE BRAND | 0 | 0 |
| S | 013001 | TYPE OF SERVICE | COMMERCIAL | 0 | 0 |
| S | M98018 | WARRANTY REGISTRATION LOCATION | USA - WARRANTY REGISTRATION LOCATION | 0 | 0 |
| | MBT01T | EMISSION WARRANTY CERTIFICATION | EPA (only) for Mack MP7 / MP8 Diesel | 0 | 0 |
| S | 5050B5 | INITIAL REGISTRATION LOCATION | USA REGISTRATION | 0 | 0 |
| S | 534014 | LANGUAGE-PUBS/DECAL/SIGNS | ENGLISH | 0 | 0 |
| S | DHX10X | ROAD CONDITION | WELL MAINTAINED SURFACED ROADS >95% DRIVING DISTANCE | 0 | 0 |
| | 005005 | VEHICLE USE & BODY/TRAILER TYPE | VAN TRAILER | 0 | 0 |
| S | 78XB1X | TRANSPORT CYCLE | LOCAL DISTRIBUTION | 0 | 0 |
| S | DKXG2X | GROSS COMBINATION WEIGHT (CA in PC29 only) | 80,000 LB (36 TONNES) GROSS COMBINATION WEIGHT | 0 | 0 |
| S | 70BC1X | BRAKE REGULATION | BRAKE REGULATION, STOPPING DISTANCE 76M (250FT) | 0 | 0 |
| | QCXA1X | TOPOGRAPHY | GRADES <3% GREATER THAN 98% OF DRIVING DISTANCE MAX GRADE 8% | 0 | 0 |
| S | E1BD1X | AMBIENT TEMP UPPER LIMIT (GTA) | AMBIENT TEMPERATURE HOT. WARMER THAN 104 F (40 C) ALLOWED UP TO 25 HOURS PER YEAR | 0 | 0 |
| S | 032A79 | OPERATING TERRAIN GRADE CONDITIONS | ON HIGHWAY, STARTING GRADES<16% | 0 | 0 |
| S | 033A10 | LOADING SURFACE FACTOR | CONCRETE LOADING AND / OR UNLOADING SURFACE | 0 | 0 |
| | 0341A1 | VEHICLE VOCATION | LINEHAUL / LONG HAUL SERVICE | 0 | 0 |

| | | | WEIGHT (LB) | | |
|----------------------|-------------|----------------------------|---|-------|-----|
| ENGINE/TRANSMISSIONS | DESCRIPTION | | FRONT | REAR | |
| S | 100400 | ENGINE PACKAGE, COMBUSTION | MP8-415C MACK 415HP @ 1400-1700 RPM (PEAK) 2100 RPM (GOV) 1650 LB-FT, US'21 | 2,108 | 530 |
| S | Q1CA1X | GEAR SELECTION TUNING | BASIC, GEAR-SELECTION TUNING | 0 | 0 |
| S | 3GCA1X | GHG APPLICATION, VEHICLE | GREEN HOUSE GAS HIGHWAY APPLICATION | 0 | 0 |
| | 136AF8 | TRANSMISSION | FULLER FRO-18210C (12.94/0.74) | 530 | 177 |
| S | V4EZ9X | GEARBOX 12TH GEAR LOCK-OUT | WITHOUT 12TH GEARBOX GEAR LOCK-OUT | 0 | 0 |

| | | | WEIGHT (LB) | | |
|-------------------|-------------|----------------------------------|--|------|----|
| EXHAUST/EMISSIONS | DESCRIPTION | | FRONT | REAR | |
| | CIRAA2 | CARB 2008 IDLE REGULATION | IDLE EMISSION CERTIFICATION, BASIC | 0 | 0 |
| S | DPF04F | DPF DIESEL PARTICULATE FILTER | CLEARTECH ONE BOX E.A.T.S. RH SIDE UNDER CAB US17 / US21 | 0 | 0 |
| S | MCF01F | CHASSIS MOUNTED EMISSIONS FINISH | PAINTED DEF & DPF COVER | 0 | 0 |
| | DF10M1 | DIESEL EXHAUST FLUID TANK | 11.8 GALLON (45 L) 22" LEFT SIDE FRAME MOUNTED | 146 | 34 |
| | 6MDA1X | AD-BLUE TANK VENTILATION FILTER | DEF TANK VENTILATION FILTER | 0 | 3 |

TECHNICAL SPECIFICATION *(cont.)*



| | | | | WEIGHT (LB) | |
|-------------------|--------|--------------------------------|---|-------------|------|
| EXHAUST/EMISSIONS | | DESCRIPTION | | FRONT | REAR |
| S | 130AB6 | EXHAUST | SINGLE VERTICAL RIGHT SIDE OUTBOARD MOUNTED STRAIGHT EXHAUST STACK TURNED OUT END | 0 | 0 |
| S | KRXB5X | EXHAUST STACK HEIGHT | 11' 6" FROM GROUND | 0 | 0 |
| S | Q0AA1X | EXHAUST SYSTEM MATERIAL FINISH | W/O BRIGHT FINISH EXHAUST | 0 | 0 |
| | 78ADCX | EMISSION ON BOARD DIAG CONTROL | EMISSION OBD, DISPLAY ONLY, USA2023 | 0 | 0 |

| | | | | WEIGHT (LB) | |
|------------------|--------|--|--|-------------|------|
| ENGINE EQUIPMENT | | DESCRIPTION | | FRONT | REAR |
| | 125045 | AIR CLEANER | UNDER HOOD SINGLE ELEMENT DRY TYPE W/AIR INTAKE FROM BOTH SIDES OF HOOD | 0 | 0 |
| S | 121AA5 | BUG SCREEN | BLACK ALUMINUM BUG SCREEN MOUNTED BEHIND GRILLE, WITHOUT WINTER FRONT COVER | 0 | 0 |
| S | 1130G3 | AIR COMPRESSOR/DRYER | WABCO HEATED SS-HP AIR DRYER W/ WABCO 636 (37.4 CFM) AIR COMPRESSOR | 0 | 0 |
| S | KOXA1X | AIR DRYER POSITION (CA) | AIR DRYER POSITION STANDARD | 0 | 0 |
| S | 132AB9 | ALTERNATOR | DELCO 12V 160A (28SI) BRUSH-TYPE | 16 | 0 |
| S | 316AA6 | BATTERIES | (3) MACK 12V 650/1950 CCA THREADED STUD TYPE | 0 | 0 |
| S | 393AA9 | BATTERY BOX - MOUNTING (x) | RH RAIL UNDER CAB (3 BATTERY MAX) | 0 | 0 |
| S | L5XA1X | BATTERY BOX COVER | MOLDED PLASTIC | 0 | 0 |
| S | NCXA5X | STARTER MOTOR | 12 VOLT DELCO 39MT-MXT | 31 | 0 |
| | 110AA6 | ENGINE BRAKE | MACK MP8 POWERLEASH | 0 | 0 |
| S | JMXB1X | ENGINE BRAKE LIGHTING (CA) | VEHICLE AND TRAILER (IF APPLICABLE) STOP LAMPS ACTIVATE UPON SERVICE BRAKE APPLICATION ONLY(3899000) | 0 | 0 |
| S | 118AB8 | FAN DRIVE | BEHR FAN AND ELECTRONIC MODULATING VISCOUS FAN DRIVE | 0 | 0 |
| S | 119AI9 | COOLANT PROTECTION | ETHYLENE GLYCOL FULLY FORMULATED COOLANT (50/50 MIX DYED PINK) TO -34DEG, W/ FILTER | 0 | 0 |
| S | 124AA3 | HOSES - RADIATOR/HEATER | MACK EPDM RADIATOR & HEATER HOSES | 0 | 0 |
| S | 293043 | FUEL-WATER SEPARATOR | MACK W/MANUAL DRAIN VALVE V2 (INTEGRAL W/ PRIMARY FUEL FILTER) | 0 | 0 |
| S | MBXA1X | PRIMARY FUEL FILTER POSITION (CA) | STANDARD FUEL FILTER POSITION | 0 | 0 |
| S | MCA04A | ENGINE HEATERS | 120v 1500w BLOCK HEATER ONLY (120V-15A PLUG) | 0 | 0 |
| | 5NXA1X | ENGINE BLOCK HEATER | 120V 1500W ENGINE BLOCK HEATER | 5 | 0 |
| S | QHXC1X | OIL SUMP | OIL PAN | 0 | 0 |
| S | 36AA1X | TETHER DEV PKG, CAPS & COVERS | FURNISH CAP RETAINER FOR OIL FILL & RADIATOR OVERFLOW TANK | 0 | 0 |
| S | 2YBZ1X | ENGINE STOP, EMERGENCY (CA in PC29 only) | WITHOUT ENGINE STOP, EMERGENCY | 0 | 0 |

| | | | | WEIGHT (LB) | |
|------------------------|--------|-------------------------------------|---|-------------|------|
| CLUTCH/TRANS EQUIPMENT | | DESCRIPTION | | FRONT | REAR |
| | 492032 | GEAR SHIFTER | EATON/FULLER SHIFTER | 0 | 0 |
| | 133AD1 | CLUTCH | EATON ADVANTAGE EZ-PEDAL 9-SPRING,2PLATE 15.5" CERAMIC 6 PADDLES, MANUAL ADJUST | 5 | 0 |
| | MCB04B | CLUTCH ACTUATION SYSTEM & PEDAL PAD | MECHANICAL CLUTCH CABLE SYSTEM WITH RUBBER PEDAL | 0 | 0 |
| | 2XAB1X | CLUTCH PEDAL PAD | RUBBER PAD | 3 | 0 |
| | 1950J5 | DRIVELINE - MAIN | SPICER SPL250HDXL LITE - LARGE (PROPS-L) | 45 | 45 |
| | 204044 | DRIVELINE - INTERAXLE | SPICER SPL170XL "LITE SERIES" | 0 | 0 |
| S | 76AA1X | PROPELLR SHAFT MAIN, UNVSL JNT | UNIVERSAL JOINT HALF-ROUND TYPE | 0 | 0 |
| S | 8WAAAX | PROP SHAFT INTERAXL UNIV JOINT | HALF-ROUND UNIVERSAL JOINT | 0 | 0 |
| S | 4LDA1X | TRANSMISSION OUTPUT TORQUE | TRANSMISSION OUTPUT TORQUE BASIC | 0 | 0 |

TECHNICAL SPECIFICATION *(cont.)*



| | | | | WEIGHT (LB) | |
|------------------------|--------|--------------------------|--------------------------------------|-------------|------|
| CLUTCH/TRANS EQUIPMENT | | DESCRIPTION | | FRONT | REAR |
| S | RCXB1X | BELL HOUSING | ALUMINUM | 0 | 0 |
| S | 7RXB1X | LUBRICANTS, TRANSMISSION | SYNTHETIC OIL IN TRANSMISSION | 0 | 0 |
| | 139AA2 | TRANSMISSION OIL COOLER | TRANS OIL COOLER (INTEGRAL OIL PUMP) | 45 | 3 |

| | | | | WEIGHT (LB) | |
|----------------------|--------|------------------------------|---|-------------|------|
| FRONT AXLE EQUIPMENT | | DESCRIPTION | | FRONT | REAR |
| S | 240AA6 | FRONT AXLE | 12000# (5400 KG) MACK FXL12 STRAIGHT SPINDLE/UNITIZED BEARINGS | 0 | 0 |
| S | 244AB2 | SPRINGS - FRONT | MACK TAPERLEAF HD 12000# (5400 KG) GROUND LOAD RATING, EQUAL BIAS | 0 | 0 |
| S | YNX99X | FRONT STABILIZER | WITHOUT FRONT STABILIZER | 0 | 0 |
| S | 2410A1 | FRONT AXLE BRAKES | MERITOR "S" CAM TYPE 16.5" x 5" Q+ | 16 | 0 |
| S | U3XA1X | BRAKE, FRONT | CAST IRON | 0 | 0 |
| S | U0AA1X | FRONT BRAKE ADJ. MANUFACTURE | HALDEX - AUTOMATIC | 0 | 0 |
| S | V7AB1X | FRONT BRAKE CHAMBER MFG. | FRONT BRAKE CHAMBER MANUFACTURER, HALDEX | 0 | 0 |
| S | 0KXB1X | HUB MATERIAL, FRONT | ALUMINUM | 0 | 0 |
| S | 61500A | FRONT AXLE LUBRICANT | FRONT AXLE LUBE, FAG NLGI2 GREASE | 0 | 0 |
| S | 1KAA1X | SHOCK ABSORBER, FRONT | DOUBLE ACTING TYPE | 0 | 0 |
| S | 245AA5 | STEERING | TRW THP60 POWER | 64 | 0 |
| S | IRXC1X | FRONT SUSP MAINTENANCE | MAINTENANCE FREE, RUBBER SPRING EYE BUSHINGS | 0 | 0 |

| | | | | WEIGHT (LB) | |
|---------------------|--------|--------------------------------|---|-------------|-------|
| REAR AXLE EQUIPMENT | | DESCRIPTION | | FRONT | REAR |
| | 268AB1 | REAR AXLE | 38000# (17200kg) MACK S38R FABRICATED STEEL HOUSING | 0 | 1,420 |
| S | 6MAA1X | REAR AXLE CASING WIDTH | W/O WIDE TRACK AXLE | 0 | 0 |
| S | 617003 | DRIVE AXLE LUBRICANT | DRIVE AXLE LUBE, SHELL 75W90 SYNTHETIC OIL | 0 | 0 |
| | 018AA6 | CARRIER - REAR AXLE | CRDP150/151 AVAILABLE WITH OPTIONAL DRIVER CONTROLLED INTERWHEEL DIFFERENTIAL LOCKS, SEE 254 SYMBOL | 0 | 0 |
| | TAXD7X | REAR AXLE RATIO | 3.25 RATIO | 0 | 0 |
| | 1860G6 | REAR SUSPENSION | SS38 MACK CAMELBACK MULTILEAF 38,000 lb, HEAVY DUTY | 0 | 1,451 |
| | 402AA3 | SPRINGS - ANTI-SWAY | SPRINGS, ANTI-SWAY | 0 | 104 |
| | XZXA1X | REAR SUSP. BEAM BUSHINGS | BRONZE | 0 | 36 |
| | GWXABX | BOGIE SPREAD, REAR | 50" AXLE SPACING (BOGIE WHEELBASE) | 0 | -85 |
| | 2AAABX | REAR SPRING INSULATOR MAT'L | URETHANE SHOCK INSULATORS, HEAVY DUTY, HIGHLY RECOMMENDED W/SS582 & SS652 REAR SUSP | 0 | 5 |
| | XYXB1X | TRANSVERSE TORQUE RODS, R SUSP | TRANSVERSE TORQUE ROD (REAR AXLE ONLY) | 0 | 67 |
| S | 237037 | AUX.SPRING BRAKE QTY | AUX SPRING BRAKE QTY, 4 CHAMBERS | 0 | 20 |
| | 253AA4 | BRAKES - REAR | MERITOR "S" CAM 16.5"x7" Q+ (Total for QTY = 2) | 0 | -39 |
| S | U4XA1X | BRAKE, DRIVE, REAR | CAST IRON | 0 | 0 |
| S | U1AA1X | REAR BRAKE ADJ MANUFACTURE | HALDEX - AUTOMATIC (Total for QTY = 2) | 0 | 0 |
| | V1AB1X | REAR BRAKE CHAMBER SIZE | REAR SPRING BRAKE CHAMBERS 30/30 TYPE | 0 | 0 |
| | N5FARX | BRAKE ORI REAR-MOST DRIVE AXLE | DRUM BRAKE CHAMBER ORIENTATION: Middle Mount - Rear of Axle - Chamber Down | 0 | 0 |
| S | 300AS0 | PARKING BRAKE CHAMBER | HALDEX "GOLD SEAL PLUS" (3" STROKE) BRAKE CHAMBERS (Total for QTY = 2) | 0 | 0 |
| S | 0LX11X | HUB MATERIAL, DRIVE | ALUMINUM PRESET REAR HUB W/INTEGRATED SPINDLE NUT | 0 | 212 |
| S | 698098 | ANTILOCK BRAKE SYSTEM | MACK ROAD STABILITY ADVANTAGE BENDIX ABS/ATC/ESP W/YAW CONTROL 4S4M | 7 | 0 |

TECHNICAL SPECIFICATION *(cont.)*



| | | | | WEIGHT (LB) | |
|---------------------|--------|------------------------------|---|-------------|------|
| REAR AXLE EQUIPMENT | | DESCRIPTION | | FRONT | REAR |
| S | URXD1X | BRAKE VALVE VERSION | BENDIX SWITCHES AND VALVES WHERE POSSIBLE | 0 | 0 |
| S | 3ZAA1X | SPRING BRAKE INVERSION VALVE | TRACTOR SPRING BRAKE INVERSION VALVE | 5 | 0 |

| | | | | WEIGHT (LB) | |
|---------------------------|--------|-------------------------------------|--|-------------|------|
| PUSHER/TAG AXLE EQUIPMENT | | DESCRIPTION | | FRONT | REAR |
| S | MA2052 | AUXILIARY AXLES (x) | (1) HENDRICKSON 13K COMPOSITILITE STEERABLE PUSHER AXLE (LIFTABLE), FF-SERIES WHEEL ENDS | 347 | 882 |
| S | MA7087 | FIRST AUXILIARY AXLE SPACING | 48" (1220mm) 1st AUX AXLE SPACING | 0 | 0 |
| S | 0NXD1X | HUB MATERIAL, TRAILING | ALUMINUM PRESET HUB, TRAILING W/ INTEGRATED SPINDLE NUT | 0 | 0 |
| S | 618004 | PUSHER AXLE LUBRICANT | PUSHER AXLE LUBE, CENEX 80W90 MINERAL OIL | 0 | 0 |
| S | MA3093 | BRAKES - AUXILIARY AXLE (x) | HENDRICKSON 15X5 CAST AUXILIARY AXLE BRAKES (8x4/10x4 13k) | 0 | 0 |
| S | UFXA1X | TRAIL. AXLE BRAKE DUST SHIELD | DUST SHIELDS FOR AUXILIARY AXLE | 0 | 0 |
| S | MAD07D | BRAKE CHAMBERS MFG - AUXILIARY AXLE | AUXILIARY AXLE BRAKE CHAMBER MANUFACTURER, HALDEX | 0 | 0 |
| S | MAE02E | SLACK ADJUSTER - AUXILIARY AXLE | AUXILIARY AXLE BRAKE ADJUSTMENT, AUTOMATIC HALDEX | 0 | 0 |
| S | MAC09C | AUXILIARY AXLE CONTROLS | MANUAL LIFT AUX AXLE CONTROLS - (BASIC HEIGHT) | 0 | 0 |
| S | 9GDB1X | AUX AXLE CTRL VALVE LOCATION | AUXILIARY AXLE CONTROL PRESSURE VALVE LOCATION, RHS | 0 | 0 |

| | | | | WEIGHT (LB) | |
|----------------------------|--------|--------------------------------|--|-------------|------|
| FRAME EQUIPMENT/FUEL TANKS | | DESCRIPTION | | FRONT | REAR |
| | 271260 | WHEELBASE | 260" | 148 | 148 |
| | 374056 | AF (OVERHANG) | 56" | -4 | 161 |
| S | MCE08E | FRAME RAILS & LINERS | 9.5 x 90 x 300mm - (0.37" x 3.54" x 11.81"); RBM 2,470,000 LB-IN | 0 | 0 |
| S | A0XH2X | FRONT FRAME LENGTH | Standard Bumper Position | 47 | -2 |
| S | 281AA2 | CROSSMEMBERS | STEEL | 0 | 0 |
| | Q5AA1X | REAR CROSSMEMBER OPTIONS | STEEL CLOSING REAR CROSSMEMBER | -8 | 49 |
| | X6XA1X | REAR FRAME TREATMENT | WITHOUT TAPERED FRAME RAIL ENDS | 0 | 0 |
| S | 69XD3X | MUDFLAP HANGERS, REAR AXLE | BETTS B87 SERIES WITH CONSPICUITY FEATURE (FMVSS 108) | 0 | 27 |
| S | 2HXA1X | MUDFLAP, FRONT AXLE | BLACK POLYARMOUR (NO NAME TO APPEAR ON FLAP) (NOT ANTI-SPRAY TYPE) | 0 | 0 |
| S | 4DXP1X | FRONT BUMPER | FLUSH-STAINLESS CLAD ALUMINUM | 98 | -4 |
| S | 4EXF1X | TOWING DEVICE, FRONT | (2) CLEVIS | 0 | 0 |
| S | 2RAA1X | FUEL LEVEL SENDER UNIT, LIQUID | BASIC FUEL LEVEL SENDER MOUNTED ON L.H TANK | 0 | 0 |
| | 288AB2 | FUEL TANK - LH | 53 GALLON (200 L) 22" ALUMINUM ROUND | 135 | 56 |
| | 290AA1 | FUEL TANK - RH | W/O RH FUEL TANK | 0 | 0 |
| S | JHXB1X | FUEL HOSES, LIQUID | BRAIDED HOSE | 5 | 3 |
| S | 8520C2 | FUEL FILLER NECK OPTIONS | WITHOUT FILLER NECK SCREEN, WITH NON-LOCKABLE FUEL TANK CAP | 0 | 0 |
| | 12AA1X | FUEL LINE OPTIONS, LIQUID | W/O FUEL LINE OPTION | 0 | 0 |
| S | Q2AA1X | CAB INSTEP VERSION | STANDARD 2 STEP CAB ACCESS | 0 | 0 |
| S | 223AA3 | STEPS (BRIGHT) - FUEL TANK | STANDARD FINISH STEPS AND BRIGHT FINISH STRAPS | 0 | 0 |

| | | | | WEIGHT (LB) | |
|-----------|--------|---------------------|---|-------------|------|
| AIR/BRAKE | | DESCRIPTION | | FRONT | REAR |
| S | UWXD1X | AIRTANK DRAIN VALVE | MANUAL DRAIN VALVES, WITH LANYARD ON SUPPLY TANK ONLY | 0 | 0 |

TECHNICAL SPECIFICATION *(cont.)*



| | | | | WEIGHT (LB) | |
|-----------|--------|-------------------------|---|-------------|------|
| AIR/BRAKE | | DESCRIPTION | | FRONT | REAR |
| S | U2XB1X | AIRTANK MATERIAL | STEEL AIR TANK PAINTED CHASSIS COLOR | 0 | 0 |
| S | 141AA1 | RELOCATE AIR RESERVOIRS | W/O RELOCATED AIR TANKS | 0 | 0 |
| S | 1JAABX | PARKING BRAKE VALVE | TWO (2) VALVE DUAL BRAKE SYSTEM - TRAILER SUPPLY AND TRACTOR-TRAILER PARK | 0 | 0 |

| | | | | WEIGHT (LB) | |
|------------|--------|------------------------------|--|-------------|------|
| ELECTRICAL | | DESCRIPTION | | FRONT | REAR |
| S | 3120A2 | ROOF & SIDE MARKER LIGHTS | (5) TRUCKLITE CHROME BULLET ROOF MARKER & STANDARD MARKER / DIRECTIONAL SIGNAL | 0 | 0 |
| S | LJXB1X | HEADLAMP BULB TYPE | HEADLAMP BULB TYPE, LED | 0 | 0 |
| S | LSXJ7X | DAYTIME RUNNING LIGHTS | W/OVERRIDE SWITCH, PARK BRAKE & ENGINE RUNNING ACTIVATED | 0 | 0 |
| S | X2AA1X | DRL OVERRIDE SPEED THRESHOLD | DRL OVERRIDE SPEED THRESHOLD 8 KMPH (5 MPH) | 0 | 0 |
| | NEXC1X | TAIL LAMPS | INCANDESCENT TAIL LAMPS | 0 | 7 |

| | | | | WEIGHT (LB) | |
|---------------------|--------|--|--|-------------|------|
| TRAILER CONNECTIONS | | DESCRIPTION | | FRONT | REAR |
| | 330AD8 | FIFTH WHEEL | FIXED - JOST JSK-37USL-DB SERIES, LH RELEASE (AVAIL: 5.87",6.85",7.83",8.86",10.83",11.89") | 0 | 340 |
| | 6DXJ1X | 5TH WHEEL MOUNTING BRACKETS | STATIONARY 5TH WHEEL MTG, 0" TO 24"OFFSET, 2" SPACING | 0 | 56 |
| S | LIXA1X | FIFTH WHEEL ANGLE MATERIAL | STEEL FIFTH WHEEL ANGLES | 0 | 0 |
| S | 9DAABX | 5TH WHEEL ANGLE THICKNESS | 5TH WHEEL ANGLE, 10MM THICKNESS | 0 | 0 |
| | 6BX5PX | 5TH WHEEL OFFSET | 50" BOGIESPREAD = 0" OFFSET, 52" BS = 1", 54" BS = 2", 55" BS = 2.5" | 0 | 0 |
| | E5BAFX | GROUND TO 5TH WHEEL TOP HGT. (CA in PC29 only) | 1270MM (50") GROUND TO 5TH WHEEL TOP HEIGHT | 0 | 0 |
| | 6EXBRX | FIFTH WHEEL LEG-HEIGHT (KAX Result) | 174MM (6.85"), FIFTH WHEEL LEG-HEIGHT (SELECTED BY KAX) | 0 | 0 |
| S | 53XBAX | TRAILER GLAD HAND COUPLINGS | GLAD HAND COUPLINGS - NORTH AMERICAN STD | 0 | 0 |
| S | WGXA1X | TRAILER BRAKE VALVE | HAND CONTROL VALVE FOR TRAILER BRAKES W/ AIR CONNECTIONS OR SERVICE BRAKES W/O AIR CONNECTIONS | 0 | 0 |
| S | WHXQ1X | TRAILER CONNECTION POSITION | TRAILER AIR BRAKE CONNECTIONS, BACK OF CAB | 23 | 14 |
| S | 51XD1X | TRAILER BRAKE HOSEHANGER | HOSE TENDER, POGO STICK (CHASSIS MOUNTED) | 0 | 0 |
| S | 321021 | TRAILER ELECTRICAL RECEPT | SINGLE, 7 PINS STD SAE TYPE, BACK OF CAB | 0 | 0 |
| S | 5ZXC1X | TRAILER BRAKE HOSES & CABLES | TRAILER AIR HOSES (12' NON-COILED TYPE) | 0 | 0 |
| S | 2UAA1X | TRAILER ELECTRICAL CABLE CONFIG | TRAILER ELECTRICAL CORD (12' NON-COILED TYPE) | 0 | 0 |
| S | 3SAA1X | TRAILER CONNECTORS HOLDER | ELECTRICAL PLUG HOLDER (INCLUDES GLAD HAND STORAGE) | 0 | 0 |

| | | | | WEIGHT (LB) | |
|-----|--------|------------------------|---|-------------|------|
| PTO | | DESCRIPTION | | FRONT | REAR |
| | TYXE1X | POWER TAKE OFF CONTROL | TRANSMISSION PTO SWITCH AND LIGHT WITH WIRING AND PIPING FOR LOCAL INSTALLATION | 3 | 0 |

| | | | | WEIGHT (LB) | |
|---------------------|--------|---------------------------|------------------------------|-------------|------|
| SPECIALTY EQUIPMENT | | DESCRIPTION | | FRONT | REAR |
| S | 7VEZ1X | AUXILIARY POWER UNIT | WITHOUT AUXILIARY POWER UNIT | 0 | 0 |
| S | MCQ01Q | LANE SUPPORT SYSTEM (LSS) | WITHOUT LANE SUPPORT SYSTEM | 0 | 0 |
| S | 2PEZ1X | DATA CAPTURE | WITHOUT DATA CAPTURE | 0 | 0 |

TECHNICAL SPECIFICATION *(cont.)*



| | | | | WEIGHT (LB) | |
|---------------------|--------|----------------------|----------------|-------------|------|
| SPECIALTY EQUIPMENT | | DESCRIPTION | | FRONT | REAR |
| S | 1PAZ1X | CAMERA, SURVEILLANCE | WITHOUT CAMERA | 0 | 0 |

| | | | | WEIGHT (LB) | |
|-------------------------|--------|---|--|-------------|------|
| CAB INTERIOR (A THRU G) | | DESCRIPTION | | FRONT | REAR |
| S | 198048 | SPEEDOMETER -&- GAUGES - UNIT(S) OF MEASURE | U.S. UNITS (PREDOMINANT) | 0 | 0 |
| | E1AAAX | GAUGE OIL TEMP-REAR AXLE | REAR AXLE OIL TEMP GAUGE IN DID (DRIVER INFORMATION DISPLAY) | 0 | 0 |
| S | 173AA5 | AIR CONDITIONING/HEATER | BLEND AIR HVAC W/"ATC" TEMP REGULATION | 0 | 0 |
| S | EEXA1X | CUPHOLDER | CUPHOLDER | 0 | 0 |
| S | I0XAHX | DOME LAMP, INTERIOR | (4) DOME LAMPS - DOOR AND SWITCH ACTIVATED | 0 | 0 |
| S | 184AA2 | FLOOR COVERING | POLYURETHANE FLOOR MAT WITHOUT REMOVABLE INSERTS | 0 | 0 |

| | | | | WEIGHT (LB) | |
|-------------------------|--------|-------------------------------|--|-------------|------|
| CAB INTERIOR (H THRU R) | | DESCRIPTION | | FRONT | REAR |
| S | C52082 | INSTMNT CLUSTER LANGUAGE | DEFAULT: ENGLISH, SPANISH, FRENCH | 0 | 0 |
| S | 20XA1X | KEY TYPES FOR DOORS | ALL CHASSIS KEYED AT RANDOM | 0 | 0 |
| S | 13AA1X | DOOR OPENING OPTIONS | W/O ELECTRONIC KEYLESS ENTRY | 0 | 0 |
| S | E3XC1X | FORWARD OVERHEAD STORAGE | COMPARTMENT W/NET | 0 | 0 |
| | 174AA1 | AUDIO ACCOMMODATION | W/O RADIO OR RADIO ACCOMMODATION PACKAGE | -8 | 0 |
| S | 1WAB1X | POWER LEADS | POWER LEADS (5-WAY BINDING POSTS FOR CB RADIO) IN HEADER CONSOLE | 0 | 0 |
| | 5CXAEX | AUDIO SPEAKER LOCATION | SPEAKER LOCATION, BEHIND DOORS, MIDDLE HIGH SIDE PANEL | 0 | 0 |
| S | 5JXALX | COM.RADIO PREP KIT (CB) | MOUNTING PLATE AND VELCRO STRAP IN HEADER CONSOLE | 0 | 0 |
| S | 21XA1X | AUXILIARY REAR WINDOW | REAR WINDOW (FIXED TYPE) | 0 | 0 |
| S | IFXB1X | REAR WALL STORAGE COMPARTMENT | STORAGE POUCH REAR | 5 | 0 |

| | | | | WEIGHT (LB) | |
|-------------------------|--------|---------------------------|--|-------------|------|
| CAB INTERIOR (S THRU Z) | | DESCRIPTION | | FRONT | REAR |
| S | 004014 | INTERIOR TRIM LEVELS | STANDARD PACKAGE, STEEL GRAY (Package 11A) | 0 | 0 |
| S | 196AAA | SEAT - DRIVER'S | MACK-AIR, HIGH BACK, 1 CHAMBER AIR LUMBAR | 71 | 16 |
| S | MAPB2X | SEAT COVERING - DRIVER'S | DRIVER'S SEAT - STEEL GREY VINYL | 0 | 0 |
| | 592082 | SEAT BELT(S) | LAP & SHOULDER (DRIVER'S SEAT ONLY) | 0 | 0 |
| S | D8XC1X | SEAT BELT REMINDER | SEAT BELT REMINDER IN INSTRUMENT, WITH AUDIO | 0 | 0 |
| S | 2QAA1X | IGNITION TYPE | KEY TYPE | 0 | 0 |
| S | 161011 | STEERING WHEEL | 2 SPOKE URETHANE GRIP, SATIN ALUMINUM SPOKES, WITH SWITCHES | 0 | 0 |
| S | WSXBAX | WINDSHIELD TYPE | TWO PIECE WINDSHIELD | 0 | 0 |
| S | 145AA1 | CAB GLASS | TINTED WINDSHIELD & SIDE WINDOWS & REAR WINDOW (IF EQUIPPED) | 0 | 0 |
| S | JQXAAX | WASHER RESERVOIR POSITION | W/O WINDSHIELD WASHER OPTION | 0 | 0 |
| S | 148AA3 | WINDSHIELD WIPERS | 2 SPEED ELECTRIC MOTOR W/INTERMITTENT FEATURE | 0 | 0 |

| | | | | WEIGHT (LB) | |
|-------------------|--------|--------------|------------------------------|-------------|------|
| CAB - SLEEPER BOX | | DESCRIPTION | | FRONT | REAR |
| S | 4ZXZ1X | REFRIGERATOR | W/O SLEEPER BOX REFRIGERATOR | 0 | 0 |

TECHNICAL SPECIFICATION *(cont.)*



| | | | | WEIGHT (LB) | |
|--------------|--------|-----------------------------------|---|-------------|------|
| CAB EXTERIOR | | DESCRIPTION | | FRONT | REAR |
| S | 88AA1X | EMBLEMS OPTION | W/O MISC ORNAMENT CHANGE OPTION | 0 | 0 |
| S | MCY02Y | HOOD LATCH TYPE & FINISH | STRAP TYPE HOOD LATCH WITH BLACK FINISH | 0 | 0 |
| S | MCG0BG | EXTERIOR TRIM FINISH AND PACKAGES | PINNACLE BLACK AIR INTAKE | 0 | 0 |
| S | 400AG0 | GRILLE | HERITAGE DESIGN CHROME GRILLE W/ BLACK BACKGROUND | 0 | 0 |
| S | 89AA1X | INSULATION - ENGINE COMPARTMENT | HOOD INSULATION | 0 | 0 |
| S | MCD03D | PASSENGER SIDE VISIBILITY OPTIONS | AUXILIARY WINDOW IN RH DOOR | 3 | 0 |
| S | 5870G7 | GRAB HANDLES | PREMIUM BLACK EXTERIOR CAB GRAB HANDLE, BLACK GRAB HANDLE RH INTERIOR WINDSHIELD POST | 0 | 0 |
| S | 154AA2 | HORN - AIR | (1) MACK RECTANGULAR SINGLE TRUMPET | 5 | 0 |
| S | LXXD1X | HORN - ELECTRICAL | DUAL TONE | 5 | 0 |
| | 1520A2 | MIRRORS - EXTERIOR | AERO MIRROR - BLACK, WIDE ANGLE both sides, W/O LAMPS | 0 | 0 |

| | | | | WEIGHT (LB) | |
|---------------------|--------|-----------------------------------|------------------------------------|-------------|------|
| AERODYNAMIC DEVICES | | DESCRIPTION | | FRONT | REAR |
| S | 159AA1 | CAB AERODYNAMIC PACKAGES | WITHOUT CAB AERODYNAMIC DEVICES | 0 | 0 |
| S | MCM998 | FRONT CHASSIS AERODYNAMIC PACKAGE | WITHOUT FRONT AERODYNAMIC FAIRINGS | 0 | 0 |

| | | | | WEIGHT (LB) | |
|----------------|--------|-----------------------------|---|-------------|------|
| WHEELS & TIRES | | DESCRIPTION | | FRONT | REAR |
| | 9007K0 | TIRES BRAND/TYPE - FRONT | 11R22.5 G BRIDGESTONE R213 ECOPIA (12350 lbs) (Total for QTY = 2) | 234 | 0 |
| | 5312D1 | WHEELS - FRONT | 22.5x8.25 ACCURIDE ACCU-LITE 51487x WHITE POWDER COAT STEEL, 6.60" OFFSET, 5 HAND HOLE (Total for QTY = 2) | 137 | 0 |
| | 901601 | TIRES BRAND/TYPE - REAR | 11R22.5 G BRIDGESTONE M713 ECOPIA (23360 lbs) (DRIVE ONLY) (Total for QTY = 8) | 0 | 971 |
| | 3462J6 | WHEELS - REAR | 22.5x8.25 ACCURIDE ACCU-LITE 51487x WHITE POWDER COAT STEEL, 6.60" OFFSET, 5 HAND HOLE (Total for QTY = 8) | 0 | 547 |
| S | H1EB1X | DRIVE WHEEL STUDS | DRIVE WHEEL STUDS LONGER LENGTH | 0 | 0 |
| S | 15XABX | TIRE INFLATION VALVE | STANDARD VALVE STEMS AND CAPS | 0 | 0 |
| | MA50J5 | AUXILIARY AXLE TIRES (x) | 255/70R22.5 H BRIDGESTONE R250ED (11020 lbs / 20280 lbs) (Total for QTY = 2) | 0 | 203 |
| | MA4274 | AUXILIARY AXLE WHEELS (x) | 22.5x8.25 ACCURIDE ACCU-LITE 51487x WHITE POWDER COAT STEEL (7,400 LB), 6.60" OFFSET, 5 HAND HOLE (Total for QTY = 2) | 0 | 137 |
| S | MCH03H | FRONT HUB/WHEEL TRIM | WITHOUT FRONT HUB/WHEEL TRIM | 0 | 0 |
| S | MCI03I | REAR HUB/WHEEL TRIM | WITHOUT REAR HUB/WHEEL TRIM (Total for QTY = 2) | 0 | 0 |
| | MCJ03J | PUSHER HUB/WHEEL TRIM | WITHOUT AUXILIARY HUB/WHEEL TRIM | 0 | 0 |
| S | 80AA1X | WHEEL NUT & FINISH, FRONT | WHEEL NUT BASIC FINISH, FRONT | 0 | 0 |
| S | 3PBA1X | WHEEL NUT FINISH, REAR (CA) | WHEEL NUT BASIC FINISH, REAR | 0 | 0 |

| | | | | WEIGHT (LB) | |
|-----------------------|--------|--|---|-------------|------|
| COMMUNICATION SYSTEMS | | DESCRIPTION | | FRONT | REAR |
| S | 3YAA1X | CO-PILOT - DISPLAY FEATURES ACCESS LEVEL | CO-PILOT DISPLAY, DRIVER ACCESS LEVEL 1 | 0 | 0 |
| S | M30060 | TELEMATIC GATEWAY | TELEMATICS GATEWAY, 4G/LTE AND WLAN SYSTEM WITH DIAGNOSTIC SERVICES | 0 | 0 |

TECHNICAL SPECIFICATION *(cont.)*



| | | | | WEIGHT (LB) | |
|--------------------|--------|-----------------------------------|---|-------------|------|
| ENGINE ELECTRONICS | | DESCRIPTION | | FRONT | REAR |
| S | WOXA1X | OIL PRESSURE, ENGINE SHUTDOWN | OIL PRESSURE, ENGINE SHUTDOWN | 0 | 0 |
| S | WMXA1X | COOLANT TEMP, ENGINE SHUTDOWN | COOLANT TEMP, ENGINE SHUTDOWN | 0 | 0 |
| S | K5XA2X | ENGINE PROTECTION SYSTEM | ENGINE PROTECTION (SHUTDOWN) | 0 | 0 |
| | C7AABX | ENG FAN CNTL, A/C ON, TIME SET | ENG FAN CONTROL, A/C ON, TIME SETTING, 60 SEC | 0 | 0 |
| S | K7XY1X | ENGINE IDLE CONTROL | IDLE CONTROL, 600 RPM | 0 | 0 |
| S | X0AB0X | SMART IDLE ELEVATED IDLE RPM TIME | INCREASE 10 MINUTE MAXIMUM TIME | 0 | 0 |
| S | M3CA1X | IDLE S/D ABS TAMPER CHECK | IDLE SHUTDOWN ABS TAMPER CHECK, ENABLED | 0 | 0 |
| S | B1AZ1X | IDLE S/D WARNING TIME | WITHOUT IDLE S/D WARNING TIME | 0 | 0 |
| S | A8AALX | IDLE S/D IF WARM-UP TEMP | 38C DEG (100F), WARM UP TEMP DELAY | 0 | 0 |
| S | A4AAEX | IDLE S/D WARM-UP TIMER | 5 MIN. WARM UP TIME DELAY | 0 | 0 |
| S | B0AAAX | IDLE SHUTDOWN IF POWER > LIMIT | ENG IDLE SHUTDOWN TIME OVERRIDDEN IF TORQUE > THAN LIMIT | 0 | 0 |
| S | M4CB1X | IDLE S/D OVERRIDE %ENGINE LOAD | IDLE SHUTDOWN OVERRIDE UPTO 20% ENGINE LOAD THRESHOLD | 0 | 0 |
| S | D2AAFx | AMBIENT TEMP MIN TRESHOLD | AMBIENT TEMP MIN TRESHOLD, 16 DEG C, (60 DEG F) | 0 | 0 |
| S | D3AAEX | AMBIENT TEMP MAX TRESHOLD | AMBIENT TEMP MAX TRESHOLD, 27 DEG C, (80 DEG F) | 0 | 0 |
| S | B3ABAX | EL HD THROTTLE,MAX ROAD SPEED | ELECTRONIC HAND THROTTLE, MAX ROAD SPEED, 16 KMH (10 MPH) | 0 | 0 |
| S | B6ABAX | EL HAND THROTTLE,MAX ENG SPEED | ELECTRONIC HAND THROTTLE, MAX ENGINE SPEED, 1000 RPM | 0 | 0 |
| S | B4ADAX | EL HAND THROTTLE,MIN ENG SPEED | ELECTRONIC HAND THROTTLE, MIN ENGINE SPEED, 700 RPM | 0 | 0 |

| | | | | WEIGHT (LB) | |
|--------------------------|--------|---|--|-------------|------|
| TRANSMISSION ELECTRONICS | | DESCRIPTION | | FRONT | REAR |
| | M08038 | ECONO ROLL | ECONO ROLL DISABLE mDRIVE (REQUIRED FOR ALL OTHER TRANSMISSIONS) | 0 | 0 |
| S | 779001 | TRANSMISSION ELECTRONICS PACKAGE | W/O ELEC TRANS PACKAGE OPTION (all non-Allison transmissions) | 0 | 0 |
| S | MAV01V | TRANSMISSION ELECTRONIC SHIFTING PROPERTIES | W/O ALLISON FUELSENSE 2.0 PROGRAMMING | 0 | 0 |

| | | | | WEIGHT (LB) | |
|---------------------|--------|--------------------------------|--|-------------|------|
| VEHICLE ELECTRONICS | | DESCRIPTION | | FRONT | REAR |
| S | JCXE6X | ROAD SPEED LIMITER SETTING | 105 KM/H ROAD SPEED LIMITER (65MPH) | 0 | 0 |
| S | Y3CC1X | PEDAL RSL SETTING | 101 KM/H PEDAL ROAD SPEED LIMITER (63MPH) | 0 | 0 |
| S | JDXA1X | CRUISE CONTROL | CRUISE CONTROL | 0 | 0 |
| S | JFXLLX | CRUISE CONTROL, MAX SPEED | MAX CRUISE, 105 KPH (65 MPH) | 0 | 0 |
| S | E3AACX | CRUISE CONTROL MIN SPEED | MIN CRUISE, 32 KPH (20 MPH) | 0 | 0 |
| S | E4AAAX | CRUISE RESUME WITH CLUTCH | CRUISE RESUME WITH CLUTCH | 0 | 0 |
| S | E5AACX | ENG BRK ENGAGE IN CRUISE | ENG BRK ENGAGE IN CRUISE, 3 MPH, ABOVE SET SPEED | 0 | 0 |
| S | X2BB1X | ROAD SPEED LIMIT CONTROL TYPE | RSL CONTROL TYPE NORMAL | 0 | 0 |
| | Q6FZ1X | DIFF LOCK SPEED LIMIT | WITHOUT DIFFERENTIAL LOCK ROAD SPEED LIMIT | 0 | 0 |
| S | W5BA1X | MAXIMUM ENG SPEED AT 0 MPH | 1000 MAXIMUM ENGINE SPEED AT 0 MPH | 0 | 0 |
| S | A4BAAX | DETECTION SPEED SENSR Tmprng | DETECTION OF SPEED SENSOR TAMPERING, ENABLE | 0 | 0 |
| S | 8RXAEX | ENG TORQUE LIMIT,SPEED SENSOR | ENG TORQUE LIMITED TO 50%, IF SPEED SENSOR TAMPER DETECTED | 0 | 0 |
| S | X3CB1X | DRIVER ID FUNCTION | DRIVER ID FUNCTION, DISABLED | 0 | 0 |
| S | 0PAZ1X | DR PERFORMANCE PARAMETERS | WITHOUT DRIVER PERFORMANCE PARAMETERS | 0 | 0 |
| S | G5AAHX | ENGINE OVERSPEED,ALL COND, LOG | ENGINE OVERSPEED, ALL CONDITIONS, TIME LOG IF ABOVE 2200 RPM | 0 | 0 |

TECHNICAL SPECIFICATION (cont.)



| | | | | WEIGHT (LB) | |
|---------------------|--------|--------------------------------|--|-------------|------|
| VEHICLE ELECTRONICS | | DESCRIPTION | | FRONT | REAR |
| S | G2AAGX | ENGINE OVERSPEED,FUELED, LOG | ENGINE OVERSPEED, FUELED, TIME LOG IF ABOVE 2100 RPM | 0 | 0 |
| S | G4AAUX | VEHICLE OVERSPEED,ALL COND,LOG | VEHICLE OVERSPEED,ALL COND, TIME LOG IF ABOVE 75MPH (121KMH) | 0 | 0 |
| S | G3AAPX | VEHICLE OVERSPEED, FUELED, LOG | VEHICLE OVERSPEED, FUELED, TIME LOG IF ABOVE 70MPH (113KMH) | 0 | 0 |
| S | G1AABX | ENGINE IDLE DELAY TO LOG | ENGINE IDLE DELAY TO START LOG, 2 MIN | 0 | 0 |
| S | W9A01X | PERIODIC TRIP LOG DAY OF MONTH | PERIODIC TRIP LOG, DAY 1 OF THE MONTH | 0 | 0 |

| | | | | WEIGHT (LB) | |
|-------|--------|--|--|-------------|------|
| PAINT | | DESCRIPTION | | FRONT | REAR |
| S | 950AC0 | PAINT DESIGN | SINGLE COLOR | 0 | 0 |
| S | 924014 | PAINT TYPE | SOLID PAINT | 0 | 0 |
| | 944DR8 | PAINT COLOR - FIRST COLOR | WHITE; L0006 | 0 | 0 |
| S | 945998 | PAINT COLOR - SECOND COLOR | NO SECOND TRUCK COLOR PROVIDED; NO COLOR | 0 | 0 |
| S | 946998 | PAINT COLOR - THIRD COLOR | NO THIRD TRUCK COLOR PROVIDED; NO COLOR | 0 | 0 |
| S | 996AA3 | PAINT - CAB PAINT SYSTEM | PAINT - CAB, URETHANE CLEAR COAT | 0 | 0 |
| S | MPB944 | CAB COLOR | SAME AS FIRST COLOR - CAB | 0 | 0 |
| S | MPD944 | HOOD COLOR | SAME AS FIRST COLOR - HOOD | 0 | 0 |
| S | MPC998 | SLEEPER ROOF COLOR | WITHOUT SLEEPER ROOF COLOR | 0 | 0 |
| S | MPA998 | ROOF FAIRING COLOR | WITHOUT ROOF FAIRING | 0 | 0 |
| S | 951AA6 | CHASSIS RUNNING GEAR | MACK BLACK (URETHANE); P3036 | 0 | 0 |
| S | 958028 | BUMPER | W/O OPTIONAL BUMPER PAINT | 0 | 0 |
| S | 959019 | FUEL TANK - ***NO INVENTED VARIANTS ALLOWED in the FUEL TANK PAINT FAMILY*** | W/O OPTIONAL FUEL TANK PAINT | 0 | 0 |
| S | 962032 | HUBS & DRUMS-FRONT | SAME AS CHASSIS RUNNING GEAR | 0 | 0 |
| S | 963033 | HUBS & DRUMS-REAR | SAME AS CHASSIS RUNNING GEAR | 0 | 0 |

| | | | | WEIGHT (LB) | |
|------------------------|--------|---------------------------------|--|-------------|------|
| CALCULATED CODES - KAX | | DESCRIPTION | | FRONT | REAR |
| S | 9JXA1X | PROPCALC SELECTION | YES, THE ORDER MUST BE CALCULATED | 0 | 0 |
| | D5EA1X | AUTO ROUTING & CLIPPING, CENTER | AUTOMATIC ROUTING & CLIPPING PLACEMENT, CENTER SECTION | 0 | 0 |

| | | | | WEIGHT (LB) | |
|-------------------------------------|--------|---------------------------------|--|-------------|------|
| BASE WARRANTY & PURCHASED COVERAGES | | DESCRIPTION | | FRONT | REAR |
| S | 898002 | VEHICLE WARRANTY TYPE | NORMAL DUTY WARRANTY CLASSIFICATION | 0 | 0 |
| S | M50020 | BASIC CHASSIS COVERAGE | NORMAL DUTY STANDARD BASE COVERAGE 12 MONTHS/100,000 MILES (160,934 KM) | 0 | 0 |
| | M8301T | EMISSION - SURCHARGE | EPA (only) for Mack MP7 / MP8 Diesel | 0 | 0 |
| S | M51021 | ENGINE WARRANTY | MACK MP7/MP8 BASE ENGINE COVERAGE 24 MONTHS / 250,000 MILES (402,000KM) | 0 | 0 |
| S | M52022 | EMISSION COMPONENT COVERAGE | US and CANADA EQUIPPED VEHICLE EMISSION COMPONENTS COVERAGE 60 MONTHS/100,000 MILES (161,000 KM) | 0 | 0 |
| | M54094 | TRANSMISSION WARRANTY | 36/350K MI: EATON TRANSMISSION STANDARD NORMAL AND HEAVY DUTY COVERAGE | 0 | 0 |
| | M550G6 | CARRIER & AXLE HOUSING WARRANTY | STANDARD MACK NORMAL DUTY COVERAGE 60 MONTHS / 750,000 (1,207,008 KM) | 0 | 0 |
| S | M56026 | AIR CONDITIONING WARRANTY | AIR CONDITIONING STANDARD COVERAGE (Sealed System Only) 12 MONTHS UNLIMITED MILEAGE | 0 | 0 |

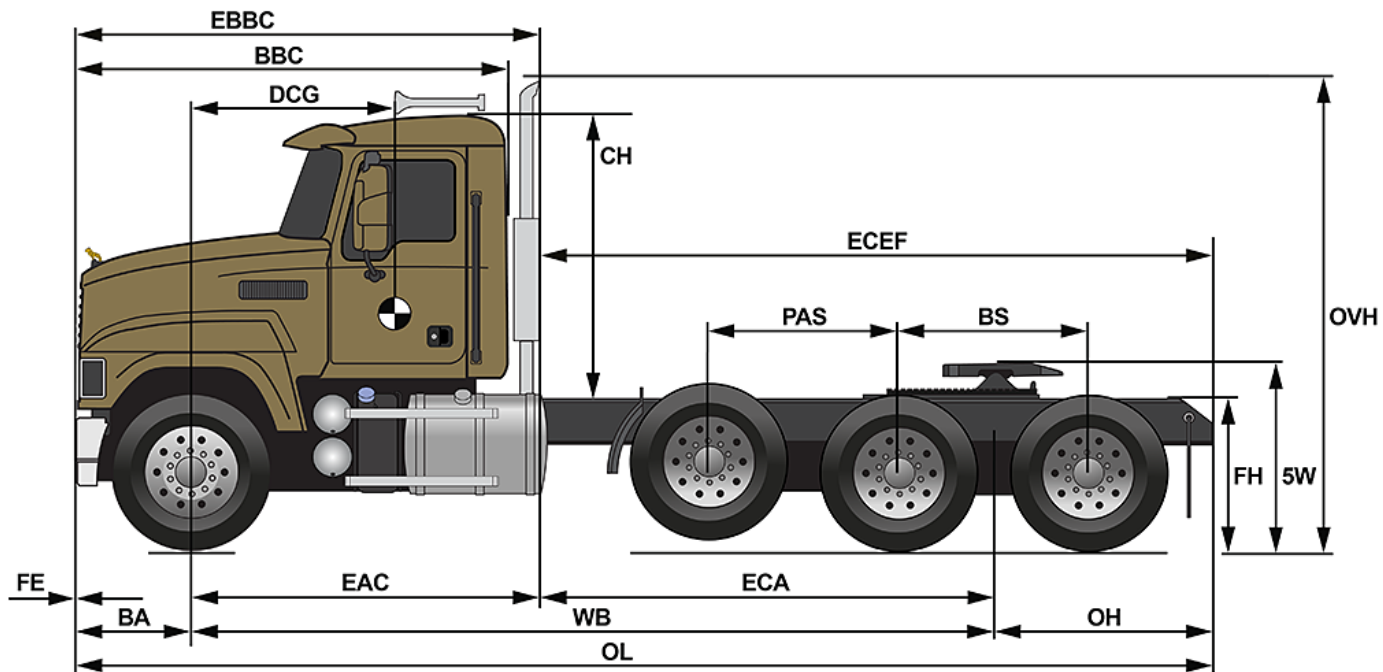
TECHNICAL SPECIFICATION *(cont.)*



| | | | | WEIGHT (LB) | |
|---------------------------------------|--------|-------------------------|---|-------------|-------|
| BASE WARRANTY & PURCHASED COVERAGES | | | DESCRIPTION | FRONT | REAR |
| S | M57027 | CHASSIS TOWING WARRANTY | STANDARD NORMAL / HEAVY DUTY CHASSIS TOWING 90 DAYS OR 5,000 MILES | 0 | 0 |
| S | M58028 | ENGINE TOWING WARRANTY | STANDARD MACK ENGINE TOWING COVERAGE 24 MONTHS/250,000 MILES (402,000 KM) | 0 | 0 |
| S | M690F9 | GUARDDOG CONNECT BUNDLE | 24 MONTH - GUARDDOG CONNECT WITH MACK OTA (with ASIST and Mack OneCall)) | 0 | 0 |
| S | M78010 | PREPAID API | WITHOUT PREPAID API | 0 | 0 |
| FRONT / REAR AXLE WEIGHTS (LB) | | | | 14328 | 11756 |
| TOTAL WEIGHT (LB) | | | | 26083 | |

VEHICLE SPECIFICATION/CALCULATED PERFORMANCE SUMMARY

| Description | Sales Code | Dwg Ref | Length | UOM |
|--------------------------------------|------------|---------|--------|--------|
| Front Frame Extension | N/A | FE | 0.0 | INCHES |
| Bumper to Front Axle | N/A | BA | 29.8 | INCHES |
| Eff. Bumper to Front Axle | N/A | N/A | 29.8 | INCHES |
| Wheelbase | N/A | WB | 259.6 | INCHES |
| Rear Overhang | N/A | OH | 56.3 | INCHES |
| Overall Length | N/A | OL | 345.7 | INCHES |
| Bumper to Back of Cab | N/A | BBC | 117.3 | INCHES |
| Eff. Bumper to Back of Cab | N/A | EBBC | 128.8 | INCHES |
| Eff. Cab to Rear Axle | N/A | ECA | 160.6 | INCHES |
| Eff. Front Axle to Back of Cab | N/A | EAC | 99.0 | INCHES |
| Eff. Cab to End of Frame | N/A | ECEF | 216.9 | INCHES |
| Unladen 5th Wheel Height | E5BAFX | 5W | 50.0 | INCHES |
| Unladen Frame Height | N/A | FH | 43.3 | INCHES |
| Cab Height | N/A | CH | 73.0 | INCHES |
| Overall Height | N/A | OVH | 141.3 | INCHES |
| Driver CG | N/A | DCG | 73.2 | INCHES |
| 1ST PUSHER AXLE SPACING 1220MM (48") | GYXGCX | PAS | 48.0 | INCHES |
| 50" AXLE SPACING (BOGIE WHEELBASE) | GWXABX | BS | 50.0 | INCHES |



**VEHICLE SPECIFICATION/CALCULATED PERFORMANCE SUMMARY**

| Description | Sales Code | Dwg Ref | Left Value(in) | Right Value(in) |
|---|-----------------|---------|----------------|-----------------|
| Wheelbase | N/A | WB | 259.6 | 259.6 |
| Available Rail Space Right | N/A | ARSR | N/A | 69.8 |
| Available Rail Space Left | N/A | ARSL | 68.8 | N/A |
| Eff. Front Axle to Back of Cab | N/A | REF | 99.0 | 99.0 |
| Front Axle To Fender | CDX30X | N/A | 48.4 | 35.4 |
| Cleartech One Unit | DPF04F | N/A | 0.0 | 48.0 |
| Battery Box | 393AA9 | N/A | 0.0 | 15.0 |
| 53 GALLON (200 L) 22" ALUMINUM ROUND / W/O RH FUEL TANK | 288AB2 / 290AA1 | N/A | 35.0 | 0.0 |
| Ad-Blue Tank | DF10M1 | N/A | 16.0 | 0.0 |
| Drive Tire Radius | 901601 | N/A | 20.9 | 20.9 |
| First Pusher Axle Spacing | GYXGCX | N/A | 48.0 | 48.0 |
| Pusher Tire Radius | MA50J5 | N/A | 18.3 | 18.3 |

Top View image is intended for illustration purposes only and is not presented to scale. Wheelbase, Axle Spacing and After frame are not shown as specified, but are a representation. Customer Adaptation (CA) options and relocated components are not represented in these images. Most CA options impact the variation of the image, thus an image may not populate. Calculations are approximate to a tolerance of ± 4 inches due to component mounting variation. Certain chassis component options are NOT represented in the Top View image, such as, but not exclusive to, Front Frame Extensions, Fuel Water Separators, Air Dryers, PTOs, Fifth Wheels, Chassis Fairings, Toolboxes, Trailer Connections. For further information on these items and their respective locations on your specification, please refer to the data sheets associated with those items in the configurator.

MACK®



Mack Trucks
www.macktrucks.com