

# TECHNICAL SPECIFICATION

## MD6 42R



				WEIGHT (LB)	
APPLICATION PACKAGES			DESCRIPTION	FRONT	REAR
S	GSXC1X	CHASSIS HEIGHT	DOCK HEIGHT	0	0

				WEIGHT (LB)	
CUSTOMER/VEHICLE INFO			DESCRIPTION	FRONT	REAR
S	002GH2	CHASSIS (BASE MODEL)	MD642 - 42R MEDIUM DUTY, CLASS 6 w/ 6.7L, (MAX 25,995lbs GVWR)	2,095	552
S	99XE1X	ASSEMBLY PLANT	FACTORY USA (RV, MACK)	0	0
	0051P5	VEHICLE USE & BODY/TRAILER TYPE	DRY VAN, PICK UP & DELIVERY TRUCK	0	0
	0341A2	VEHICLE VOCATION	PICKUP & DELIVERY / SHORT HAUL SERVICE	0	0
S	MP2001	CUSTOMER FLEET SIZE	DEALER FLEET WITH LESS THAN 25 VEHICLES IN OWN FLEET OF ANY VEHICLE BRAND	0	0
S	013001	TYPE OF SERVICE	COMMERCIAL	0	0
S	M98018	WARRANTY REGISTRATION LOCATION	USA - WARRANTY REGISTRATION LOCATION	0	0
	MBT05T	EMISSION WARRANTY CERTIFICATION	EPA (only) Cummins Diesel	0	0
S	5050B5	INITIAL REGISTRATION LOCATION	USA REGISTRATION	0	0
S	534014	LANGUAGE-PUBS/DECAL/SIGNS	ENGLISH	0	0
S	032A99	OPERATING TERRAIN GRADE CONDITIONS	CITY, STARTING GRADES<6%	0	0
S	033A20	LOADING SURFACE FACTOR	ASPHALT LOADING AND / OR UNLOADING SURFACE	0	0

				WEIGHT (LB)	
ENGINE & TRANSMISSION			DESCRIPTION	FRONT	REAR
S	78AC5X	EMISSION ON BOARD DIAG CONTROL	EMISSION OBD, DISPLAY ONLY, USA2016	0	0
S	1003G0	ENGINE / MOTOR	ISB6.7-220 DIESEL CUMMINS 220HP @ 2600RPM (GOV) 600 LB-FT, US21	1,597	-39
S	1361V6	TRANSMISSION	2500 HS 6 SP-ALLISON HIGHWAY SERIES GEN 6 (WITHOUT PTO PROVISIONS)	305	91
S	E7EA1X	FUELSENSE CALIBRATION	ALLISON FUELSENSE, NEUTRAL AT STOP	0	0
S	B1EC1X	TRANSM AUTO NEUTRAL ON P-BRAKE	AUTO NEUTRAL SINGLE INPUT WITH SHIFT SELECTOR OVERRIDE	0	0

				WEIGHT (LB)	
ENGINE & TRANSMISSION EQUIPMENT			DESCRIPTION	FRONT	REAR
	HTXB2X	ENGINE BRAKE TYPE	ENGINE BRAKE	0	0
	JDXA1X	CRUISE CONTROL	CRUISE CONTROL	0	0
S	132AB9	ALTERNATOR	DELCO 12V 160A (28SI) BRUSH-TYPE	0	0
S	NCXD1X	STARTER MOTOR	12 VOLT MELCO STARTER (MITSUBISHI ELECTRIC)	0	0
S	5NXZ1X	ENGINE BLOCK HEATER	WITHOUT ENGINE BLOCK HEATER	0	0
S	TYXZ1X	POWER TAKE OFF CONTROL	WITHOUT POWER TAKE OFF CONTROL	0	0

				WEIGHT (LB)	
AXLE & SUSPENSION			DESCRIPTION	FRONT	REAR
S	2400R0	FRONT AXLE	10,000LB MERITOR MFS+ 4500 KG	1,156	0
S	2440B4	SPRINGS - FRONT	MACK TAPERLEAF 10000# (4500 KG) GROUND LOAD RATING	0	0
S	2410A1	FRONT AXLE BRAKES	MERITOR "S" CAM TYPE 16.5" x 5" Q+	0	0

# TECHNICAL SPECIFICATION *(cont.)*



				WEIGHT (LB)	
AXLE & SUSPENSION			DESCRIPTION	FRONT	REAR
S	2520I2	REAR AXLE - SINGLE	17000# (7711 kg) MERITOR MS-17-13X, (W/O DIFF LOCK) CASING 9.5mm	0	1,098
S	260AP0	REAR SUSPENSION - SINGLE	17500# (7711kg) MULTILEAF	0	466
	ZAX99X	SUSPENSION LEVELLING DEVICE (CA in PC29 only)	WITHOUT SUSPENSION LEVELLING DEVICE	0	0
S	253AA4	BRAKES - REAR	MERITOR "S" CAM 16.5"x7" Q+	0	0
S	TAXNFX	REAR AXLE RATIO	RATIO 5.57, REAR AXLE	0	0

				WEIGHT (LB)	
CHASSIS EQUIPMENT			DESCRIPTION	FRONT	REAR
S	9KAB1X	IDLE EMISSION CERTIFICATION	IDLE EMISSION CERTIFICATION, CARB 08	0	0
S	DPF05F	DPF DIESEL PARTICULATE FILTER	CUMMINS SINGLE MODULE E.A.T.S. RH SIDE UNDER CAB US17 (7L up to 270HP only!!)	64	73
S	130AA9	EXHAUST	UNDERFRAME RIGHT SIDE INBOARD MOUNTED (Diesel engines only)	0	0

				WEIGHT (LB)	
FRAME EQUIPMENT & FUEL TANKS			DESCRIPTION	FRONT	REAR
	271150	WHEELBASE	150" Wheelbase (87" CA) 50" After-frame	322	419
S	274184	FRAME RAILS	STEEL - 260MM X 70MM X 7MM -- (10.24" X 2.75" X 0.275" ); RBM 1,370,000 LB-IN	0	0
S	JVXBAX	PRIMARY FUEL FILTER	FUEL FILTER & WATER SEPARATOR (Diesel engines only)	5	0
S	288AC2	FUEL TANK - LH	50 GALLON (190 L) 22" ALUMINUM ROUND	115	56

				WEIGHT (LB)	
CAB INTERIOR			DESCRIPTION	FRONT	REAR
S	198048	SPEEDOMETER -&- GAUGES - UNIT(S) OF MEASURE	U.S. UNITS (PREDOMINANT)	0	0
S	5RXZ1X	BACK-UP ALARM	WITHOUT BACK-UP ALARM	0	0
S	PVXA2X	AIR RESTRICTION INDICATOR	MECHANICAL, GRADUATED, ON FILTER	0	0
S	LSXH1X	DAYTIME RUNNING LIGHTS	DRL WHEN ENGINE RUNNING & PARK BRAKE OFF	0	0
S	40XAKX	FIRE EXTINGUISHER	HAND FIRE EXTINGUISHER 1.1 KG (2.5LB) ENGLISH DECAL, ABC	0	0
S	F8XAVX	AUDIO SYSTEM	RADIO, AM/FM, MP3, WEATHER BAND	0	0
S	5EAA1X	AUDIO INTEGRAT. PHONE HANDSFRE	AUDIO INTEGRATED HANDSFREE PHONE, BLUETOOTH	0	0
S	5FAA1X	AUDIO COMMUNICATION CONNECTOR	AUDIO COMMUNICATION CONNECTOR, USB AUDIO	0	0
S	D6XS1X	COMMUNICATION EQUIPMENT	FACTORY INSTALLED GEOTAB FLEET MANAGEMENT SYSTEM	0	0
S	3ZXG2X	DRIVER SEAT	MACK DRIVERS SEAT, AIR SUSPENDED	0	0
S	U3CA1X	DRIVERS SEAT UPHOLSTERY	DRIVERS SEAT UPHOLSTERY, VINYL	0	0
S	34XB1X	PASSENGER SEAT	FIXED PASSENGER SEAT	29	0
S	U4CA1X	PASSENGERS SEAT UPHOLSTRY	PASSENGERS SEAT UPHOLSTERY, VINYL	0	0
S	592052	SEAT BELT(S)	ALL SEAT BELTS, BLACK	0	0

				WEIGHT (LB)	
CAB EXTERIOR			DESCRIPTION	FRONT	REAR
S	6MEB4X	HOOD RADIATOR GRILLE, FINISH	HOOD RADIATOR GRILLE FINISH, MATTE BLACK	0	0
S	W9EAFX	FRONT BUMPER FINISH	FRONT BUMPER FINISH PAINTED GLOSS BLACK	0	0
S	1520H2	MIRRORS - EXTERIOR	STANDARD MANUAL MIRROR BOTH SIDES, BLACK (Anthem mirror)	27	0

# TECHNICAL SPECIFICATION *(cont.)*



			WEIGHT (LB)	
WHEELS & TIRES	DESCRIPTION		FRONT	REAR
900AT0	TIRES BRAND/TYPE - FRONT	11R22.5 H BRIDGESTONE R268 ECOPIA (13220 lbs) (Total for QTY = 2)	247	0
5310Y1	WHEELS - FRONT	22.5x8.25 ACCURIDE, 51487x POWDER COATED WHITE STEEL DISC (Total for QTY = 2)	128	0
FWT002	FRONT AXLE TIRE & WHEEL QUANTITY	TWO FRONT TIRES & WHEELS	0	0
901090	TIRES BRAND/TYPE - REAR	11R22.5 G BRIDGESTONE M760 ECOPIA (23360 lbs) (DRIVE ONLY) (Total for QTY = 4)	0	538
346176	WHEELS - REAR	22.5x8.25 ACCURIDE, 51487x POWDER COATED WHITE STEEL DISC (Total for QTY = 4)	0	256
RWT004	REAR AXLE TIRE & WHEEL QUANTITY	FOUR REAR AXLE TIRES & WHEELS	0	0

			WEIGHT (LB)		
PAINT	DESCRIPTION		FRONT	REAR	
S	944CQ2	PAINT COLOR - FIRST COLOR	GLACIER WHITE; P3029	0	0

			WEIGHT (LB)		
BASE WARRANTY & PURCHASED COVERAGES	DESCRIPTION		FRONT	REAR	
S	M58038	ENGINE TOWING WARRANTY	CUMMINS ENGINES (Contact Cummins for Standard Warranty and Extended Coverage Details)	0	0
S	M70100	MACK ONECALL BUNDLE	12 MONTH - ASIST AND MACK ONECALL	0	0
S	898002	VEHICLE WARRANTY TYPE	NORMAL DUTY WARRANTY CLASSIFICATION	0	0
S	M50AQ7	BASIC CHASSIS COVERAGE	CHASSIS PLAN 24 MO/UNLIMITED MI NORMAL DUTY PROTECTION PLAN	0	0
S	M51102	ENGINE WARRANTY	CUMMINS ENGINES B6.7 (Contact Cummins for Standard Warranty and Extended Coverage Details)	0	0
S	M52032	EMISSION COMPONENT COVERAGE	CUMMINS ENGINES (Contact Cummins for Standard Warranty and Extended Coverage Details)	0	0
S	M540B4	TRANSMISSION WARRANTY	ALLISON TRANSMISSIONS (Contact Allison Transmission for standard warranty and extended coverage data)	0	0
S	M560V6	AIR CONDITIONING WARRANTY	AIR CONDITIONING STANDARD COVERAGE (Sealed System Only) 24 MONTHS UNLIMITED MILEAGE	0	0
S	M57028	CHASSIS TOWING WARRANTY	STANDARD CHASSIS TOWING 90 DAYS OR 5,000 MILES	0	0
S	M680F5	PARTNERED SERVICES	GEOTAB FOR MACK TRUCKS - 12 MONTH	0	0

**FRONT / REAR AXLE WEIGHTS (LB)**

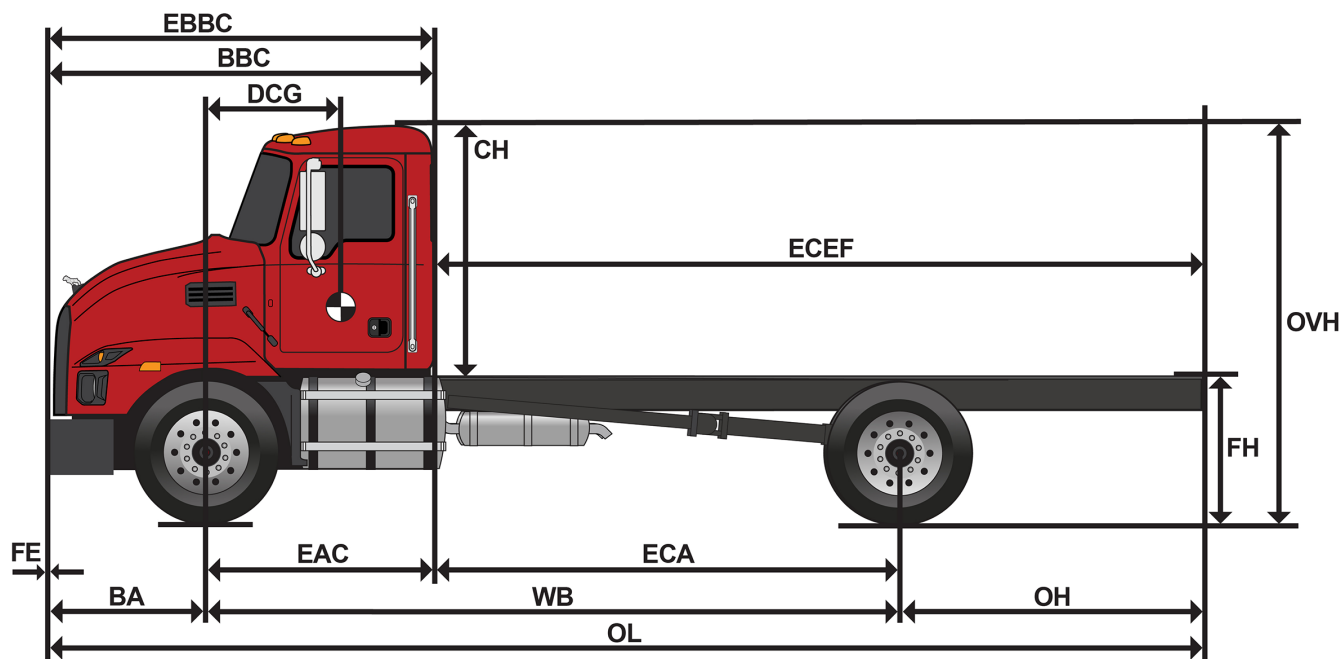
6085 3506

**TOTAL WEIGHT (LB)**

9591

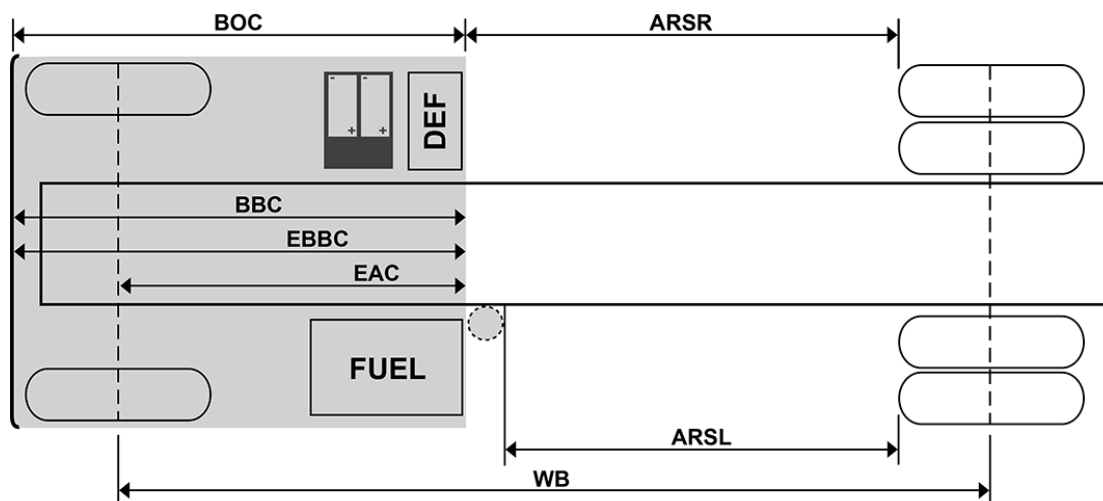
**VEHICLE SPECIFICATION/CALCULATED PERFORMANCE SUMMARY**

Description	Sales Code	Dwg Ref	Length	UOM
Front Frame Extension	N/A	FE	0.0	INCHES
Bumper to Front Axle	N/A	BA	40.0	INCHES
Eff. Bumper to Front Axle	N/A	N/A	40.0	INCHES
Wheelbase	N/A	WB	150.2	INCHES
Rear Overhang	N/A	OH	50.0	INCHES
Overall Length	N/A	OL	240.2	INCHES
Bumper to Back of Cab	N/A	BBC	103.0	INCHES
Eff. Bumper to Back of Cab	N/A	EBBC	103.0	INCHES
Eff. Cab to Rear Axle	N/A	ECA	87.2	INCHES
Eff. Front Axle to Back of Cab	N/A	EAC	63.0	INCHES
Eff. Cab to End of Frame	N/A	ECEF	137.2	INCHES
Unladen Frame Height	N/A	FH	40.9	INCHES
Cab Height	N/A	CH	69.1	INCHES
Overall Height	N/A	OVH	110.0	INCHES
Driver CG	N/A	DCG	59.1	INCHES



**VEHICLE SPECIFICATION/CALCULATED PERFORMANCE SUMMARY**

Description	Sales Code	Dwg Ref	Left Value(in)	Right Value(in)
Wheelbase	N/A	WB	150.2	150.2
Available Rail Space Right	N/A	ARSR	N/A	68.1
Available Rail Space Left	N/A	ARSL	58.1	N/A
Eff. Front Axle to Back of Cab	N/A	REF	63.0	63.0
Front Axle To Fender	001AA3	N/A	30.0	30.0
Battery Box	001AA3	N/A	0.0	25.0
50 GALLON (190 L) 22" ALUMINUM ROUND / TRUCK	288AC2 / 001AA3	N/A	41.0	0.0
Ad-Blue Tank	001AA3	N/A	0.0	6.0
Drive Tire Radius	901090	N/A	21.1	21.1



*Top View image is intended for illustration purposes only and is not presented to scale. Wheelbase, Axle Spacing and After frame are not shown as specified, but are a representation. Customer Adaptation (CA) options and relocated components are not represented in these images. Most CA options impact the variation of the image, thus an image may not populate. Calculations are approximate to a tolerance of  $\pm 4$  inches due to component mounting variation. Certain chassis component options are NOT represented in the Top View image, such as, but not exclusive to, Front Frame Extensions, Fuel Water Separators, Air Dryers, PTOs, Fifth Wheels, Chassis Fairings, Toolboxes, Trailer Connections. For further information on these items and their respective locations on your specification, please refer to the data sheets associated with those items in the configurator.*

# MACK®



Mack Trucks  
[www.macktrucks.com](http://www.macktrucks.com)