

14H, 14L, 15H



BACKHOE LOADER | 3CX-14/3CX SUPER/4CX SUPER

Gross power: 74 hp (55 kW) / 91 hp (68 kW) / 109 hp (81 kW) Max. dig depth: 14'7" – 20'1" (4.45 m – 6.12 m)



PRODUCTIVITY AND PERFORMANCE.

JCB BACKHOES ARE THE PREFERRED CHOICE AROUND THE WORLD. THEY SET THE STANDARD FOR POWER AND PERFORMANCE, AND EXCEL IN ALL TASKS, FROM DIGGING TO LIFTING, AND LOADING TO GRADING.

The world's leading backhoe

JCB invented the backhoe in 1953. Today, one out of every two backhoes sold in the world is a JCB.

A productive drivetrain

1 The standard torque proportioning front axle in the 3CX-14 or 3CX SUPER delivers enhanced traction and performance and minimizes tire wear. An automatic, limited-slip differential (LSD) in the rear axle is standard in all models, and in both axles on the 4CX SUPER.

Innovative hydraulics

2 JCB backhoes are equipped with a higher-flow 44 gpm (165 l/min) piston pump, which improves fuel efficiency across the complete duty cycle.



An optional 6-speed Autoshift gearbox—with low ratio first and second gears, and a kick down switch—provides a traveling speed of up to 26mph (41.8 km/h).

With a 40 gallon (150 liter) fuel tank, the 3CX-14 and 3CX/4CX SUPER machines are designed for extended periods of work between refills.

44 gpm (165 l/min) peak hydraulic flow enables fast and responsive cycles.



Maximum productivity

The standard-fit, parallel-lift front loader automatically adjusts the bucket level on both raise and lower cycles, without need for manual adjustment from the operator. Visibility to the front bucket is unobstructed, even when loading at height.

3 All JCB backhoes are fitted with the inner-box-design Extradig feature, which provides an extra 3 feet 11 inches (1.2 m) of dig depth and reach. In addition to making JCB backhoes the highest lift capacity machines available, this also minimizes the need for repositioning. 3CX/4CX SUPERS feature an 11,000 lb lifting point, and heavy-duty lift cylinders, as standard.

4 JCB backhoes boast high ground clearance—up to 13 inches (340 mm)—combined with 20-degree departure angles. This allows operators to work easily on steep slopes and uneven ground, without incurring underside damage.



3

The ultimate backhoe

5 The JCB 4CX SUPER is the largest JCB backhoe, and offers unparalleled power, performance and versatility. It is the ideal machine for heavy-duty applications, from road-building to house-building, agriculture, landscaping and snow clearing.

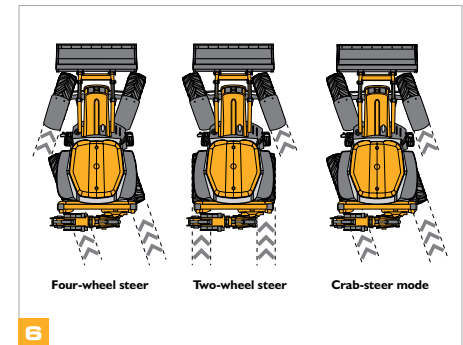
6 With three steering modes, the 4CX SUPER offers exceptional maneuverability and productivity, even on confined job sites.



4



5



6

COMFORT AND EASE OF USE.

THE 3CX-14 AND 3CX/4CX SUPER FEATURE AN ERGONOMIC AND INTUITIVE OPERATOR ENVIRONMENT, FOR ALL-DAY COMFORT.

A great place to work

1 An available heated front windshield dissipates frost and ice build-up, allowing operators to begin work quickly and safely. The AutoPREHEAT option can be set to warm the cab and engine block automatically, up to 30 minutes before starting the engine.

2 Generous internal and external storage allows convenient access to personal items and stowage of additional tools.

Air-conditioned models are equipped with an in-cab cooler, to store food and drinks.

3 The side console display provides the operator with information about fluid levels, temperature, RPM, machine warning symbols and service messages.

4 Exclusive to JCB, an integrated hot drink machine option is available, to provide fresh, hot beverages throughout the day.



Maximum comfort

5 Power-assisted brakes deliver efficient and safe stopping with minimal pedal effort.

Always in control

6 JCB's multi-functional instrument control panel provides data on fuel consumption and DEF levels.

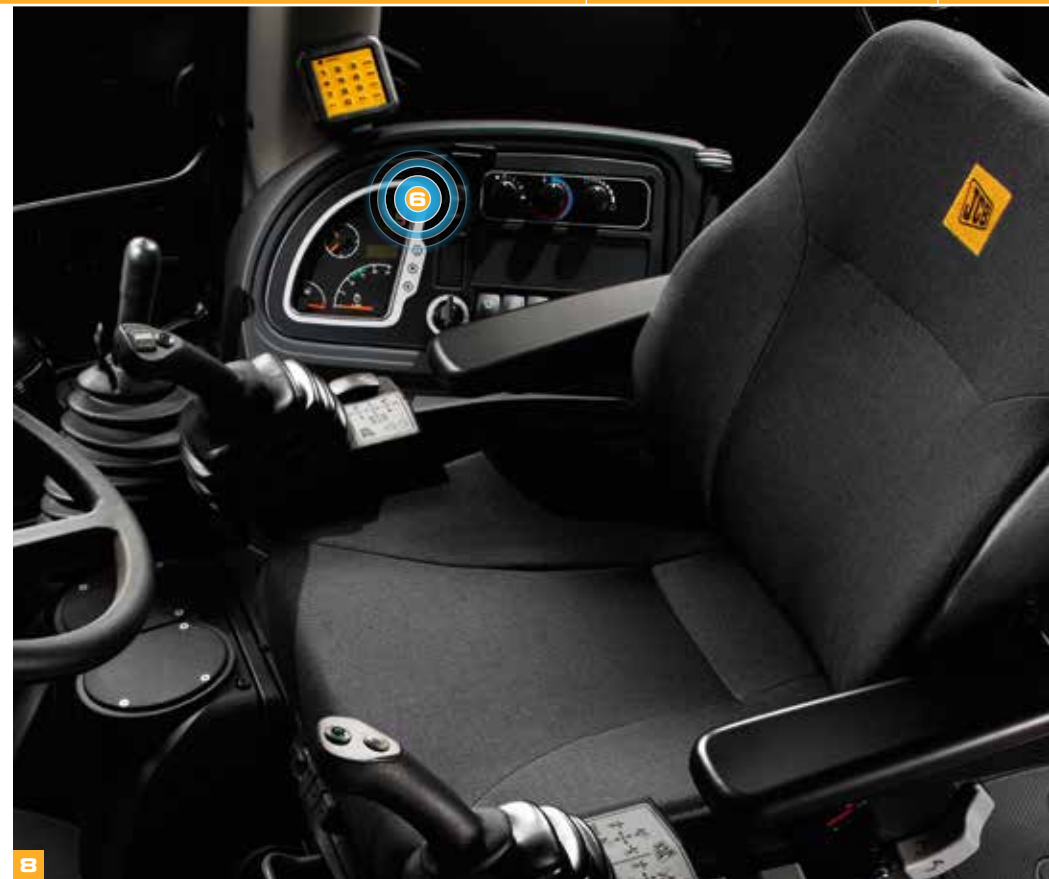
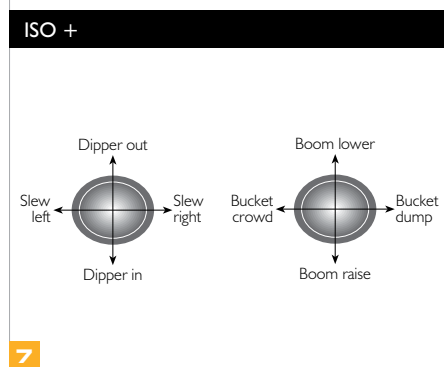
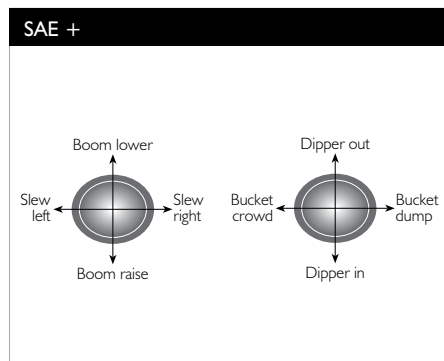
7 For intuitive use, the 3CX and 4CX SUPER are equipped with manual controls or seat-mounted joystick controls. On joystick control machines, a switch allows the operator to change the control pattern to backhoe controls (SAE+) or excavator controls (ISO).

8 Seat-mounted joystick controls make operations comfortable and logical.

The excavator can be operated with the seat in any position, for improved visibility to the side of the machine when needed.

JCB EasyControl allows operation of the loader and backhoe simultaneously. JCB Advanced EasyControl provides excellent feedback and smooth operation of the excavator-end, similar to a large excavator, for improved controllability and operator comfort.

9 Regardless of the control options, all JCB backhoes offer excellent control response, high breakout force and high swing torque at the excavator-end.



QUALITY, RELIABILITY AND DURABILITY.

JCB BACKHOE LOADERS ARE DESIGNED, BUILT AND TESTED TO WITHSTAND THE RIGORS OF THE MOST DEMANDING JOB SITES.

Damage mitigation

- 1 Boom and dipper hoses are enclosed inside the rear structures of the machine, for protection during trench work.
- 2 With the steering cylinder positioned behind the front axle, the 3CX SUPER is well protected against impact damage during loading operations.
- 3 Hydraulic hoses are sheathed and routed through guides to reduce wear, maximize component life and reduce maintenance costs.
- 4 Standard, flip-over stabilizer feet optimize digging performance on soil and hard ground surfaces. Rubber pads eliminate damage to finished surfaces, such as asphalt and concrete.



Built to last

5 For added rigidity, JCB backhoes have flat, plate-depressed loader arms. Stress-relieving welds strengthen components throughout the structure.

6 The composite fuel tank is completely rustproof, to protect the fuel injection system.

7 JCB backhoes feature a single-piece composite cab floor, which is not only rust proof, but provides temperature and sound isolation, and easily dissipates water via molded channels.

8 A robotically-welded, single-piece chassis provides maximum strength and reduced weight.

Tested to the limits

9 To ensure durability and longevity, JCB backhoe loaders are tested to withstand extreme temperatures, chemicals, salt and light.

10 JCB has tested its EcoMAX engines over more than 110,000 hours, in 70 different machines and the most demanding applications and environments.

JCB axles and transmissions have a 12,000-hour life.

The heavyweight axles are designed to withstand massive shock loads. The rear axle has a static load rating of 55,116 lb (25,000 kg), and a dynamic load rating of 27,558 lb (12,500 kg).



EFFICIENT BY DESIGN.

JCB BACKHOE LOADERS DELIVER THE POWER TO GET THINGS DONE, AND ARE WELL EQUIPPED WITH FEATURES TO ENHANCE PERFORMANCE, IMPROVE EFFICIENCY AND LOWER OPERATING COSTS.

An efficient drivetrain

1 JCB EcoMAX engines produce high power and torque at speeds as low as 1,200 RPM.

The 74 hp engine requires no DPF, DEF or DOC, meaning no regeneration or costly aftertreatment maintenance.

The 91 hp and 109 hp engines require no DPF, for simplified maintenance and reduced costs.

2 JCB's EcoMAX engines are well matched to JCB's efficient hydraulic systems. A flow-on-demand axle piston pump delivers unmatched fuel efficiency.

3 JCB's unique TorqueLock system is fitted standard on 109 hp backhoes and is an available option on 91 hp Powershift models.

The JCB 6-speed Autoshift transmission is fitted with TorqueLock, for faster travel speeds and fuel savings of up to 25 percent.



Residual benefits

4 JCB Tier 4 Final engines produce just one-tenth of the emissions of earlier Tier 4 Interim machines, without any significant impact on fuel consumption, power or engine size.

A new, stainless steel SCR replaces the exhaust system on backhoes over 74 hp.

Added efficiency

To reduce noise and save fuel, a viscous fan is standard. The fan cuts in only when needed, and draws no engine power.

5 High back-off brakes reduce viscous drag during road travel and re-handling, for improved fuel economy.

6 A high-output, variable-flow pump reduces cycle times and saves fuel. On manual control machines, it also reduces lever effort, for easier control.



EASY, EFFICIENT, AUTOMATE.

JCB AUTOMATE IS A SUITE OF AUTOMATED FEATURES FOR IMPROVED USABILITY AND FUEL EFFICIENCY.

INTRODUCING

AUTOMATE

FOR THE WORLD'S NO1 BACKHOE LOADER

1 AutoCHECK

- All routine engine checks are performed automatically at the start of every working day upon key-on.

2 AutoIDLE

- Automatically returns engine RPM to idle saving fuel, time and effort.
- Adjustable time delay to suit operators and applications.

3 AutoTHROTTLE

- Returns engine speed to pre-set hand throttle position when work is resumed.
- Saves time and reduces effort.
- Maintains idle until levers are activated.

4 AutoDRIVE

- AutoDRIVE maintains a chosen engine speed while traveling on the road.
- Similar to automotive cruise control, except the engine speed is maintained, rather than road speed.
- Automatically disengages when the brake is pressed.



1



2



3



4

T4F IV



6

6 Smoothride System (SRS)

- Set-and-forget technology requires no operator input.
- Automatic activation and deactivation occurs at a preset speed.
- Increases productivity and efficiency by improving load retention at faster road speeds. Also provides greater operator comfort.



7

7 AutoBOOMLOCK (joystick controls only)

- Eliminates the boomlock cable.
- Automatic unlock via joysticks activation.

7 AutoSTABILIZERUP (joystick controls only)

- One-touch levers reduce operator fatigue.
- Auto retraction improves ease of use.
- Engine RPM automatically increases for faster raise time, then lowers back to idle.



8

8 AutoPRE-HEAT (optional)

- Program your machine to automatically heat the engine block, cab and defrost the windshield, up to 30 minutes before use.



5



AUTOMATE & HOW-TO VIDEOS

Use the QR code below to see a video introduction of the latest Automate features.

How-to videos are also available on the JCB YouTube Channel.



SECURITY AND SERVICEABILITY.

JCB IS THE WORLD'S LEADING BACKHOE MANUFACTURER. RELY ON JCB FOR INDUSTRY-LEADING POWER, PRODUCTIVITY, SAFETY, SECURITY AND SERVICEABILITY.



2



3



4



1

Safe and secure

- 1 JCB backhoe loaders feature large, anti-slip steps, with an open grill design, for safe entry and exit.
- 2 Great all-around visibility for enhanced productivity and improved safety for the operator and others on the work site.
- 3 JCB's lockable front grill design provides enhanced machine security by preventing unauthorized access to the battery and isolator.
- 4 For reduced downtime, the 5.3 gal (20 l) DEF tank requires filling only every 4-5 fuel refills. Note: JCB does recommend topping up DEF with every fuel refill.

Serviceability

6 All daily under-the-hood checks are performed automatically by the AutoCHECK management system.

To save time and effort, JCB backhoes are designed to facilitate grouped, single-side servicing.

An in-cab display provides operators with service messages and system warnings, to improve reliability and reduce downtime.

7 The easy-to-lift, one-piece hood has no removable side panels, allowing faster servicing.

8 Refuelling is done at ground level.

Max benefits

The JCB EcoMAX engine features high-quality engine and fuel filters, to prevent engine wear and extend component life.

9 The JCB-designed SCR has fewer components, to ensure a compact, simple and cost effective unit.



3CX-14. ENGINE SIZE: 74 hp. DIG DEPTH: 18 feet 6 inches. AFTERTREATMENT: None.

1. Easy to transport

Low cab roof height of 9 feet 3 inches for easy transport.

2. Ease of use

Seat-mounted joystick controls are standard.

3. Easy to maintain

74 hp engine requires no DPF, no DEF, no DOC and no regeneration. LiveLink telematics and AutoCHECK makes servicing easy.

4. High performance

The 44-gpm axle piston pump, limited slip differential and parallel lift deliver optimal performance.

5. Ultimate durability

JCB-built components. 24,000-hour chassis life. Stress-relieved boom and dipper.

3CX SUPER. ENGINE SIZE: 91 hp or 109 hp. DIG DEPTH: 18 feet 6 inches or 20 feet 1 inch. AFTERTREATMENT: DEF only, no DPF.

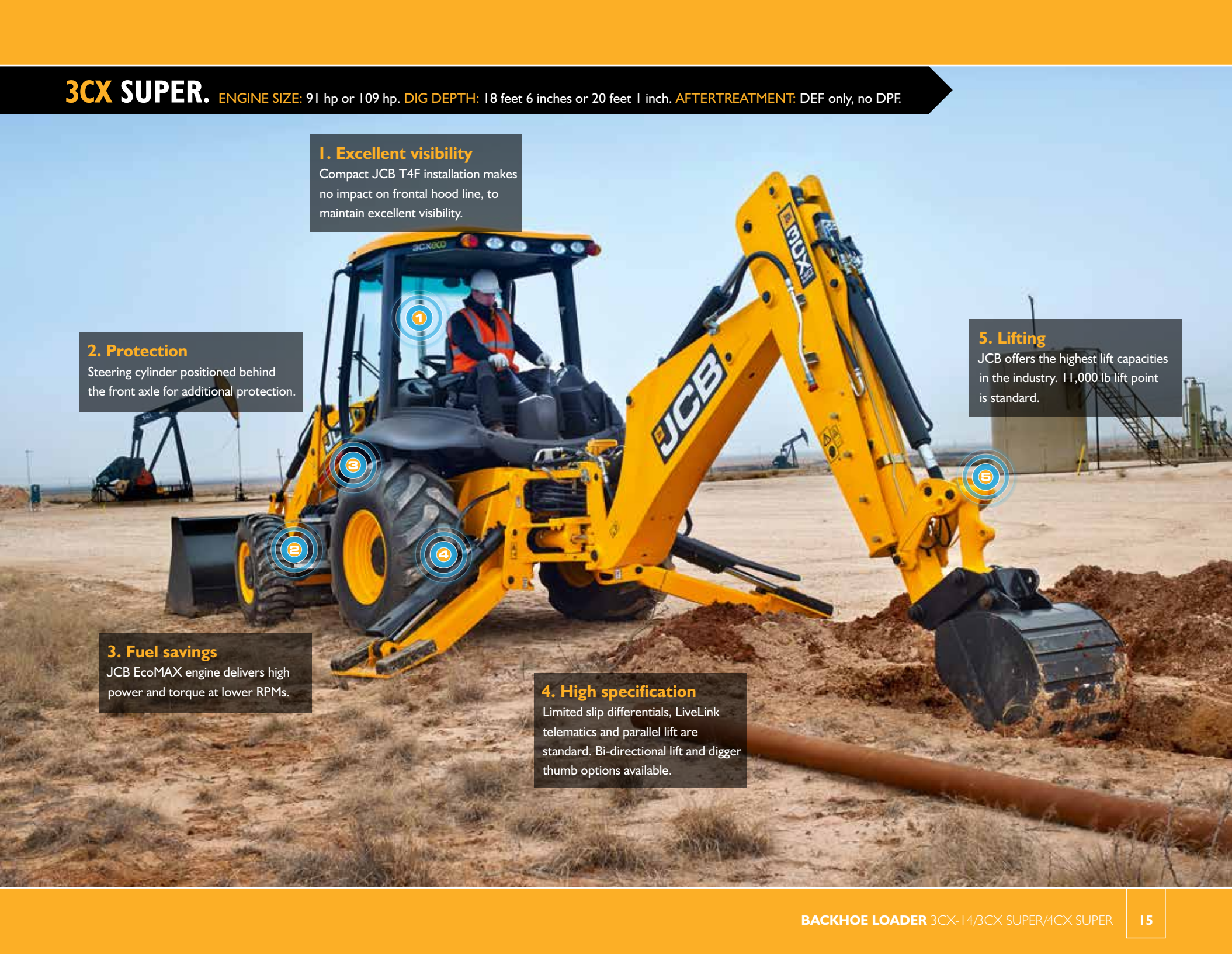
1. Excellent visibility
Compact JCB T4F installation makes no impact on frontal hood line, to maintain excellent visibility.

2. Protection
Steering cylinder positioned behind the front axle for additional protection.

3. Fuel savings
JCB EcoMAX engine delivers high power and torque at lower RPMs.

4. High specification
Limited slip differentials, LiveLink telematics and parallel lift are standard. Bi-directional lift and digger thumb options available.

5. Lifting
JCB offers the highest lift capacities in the industry. 11,000 lb lift point is standard.



4CX SUPER. ENGINE SIZE: 109 hp. DIG DEPTH: 18 feet 6 inches or 20 feet 1 inch. AFTERTREATMENT: DEF only, no DPF.

1. Ultimate power

Equipped with JCB's most powerful backhoe engine—109 hp—as standard.



2. High flotation

28-inch tires cause less ground damage and travel easily over soft ground.

3. Maneuverable

Three steer modes. Two-wheel steer, four-wheel steer and crab-steer provide excellent road handling and on-site capabilities.

4. High ground clearance

Ideal for off-road and heavy-duty applications.

5. Two machines in one

Offering wheel loader and excavator performance in one machine, the 4CX SUPER is ideal for high productivity applications.

THE OPTIONS LIST.

JCB BACKHOE LOADERS ARE HIGHLY VERSATILE MACHINES. ATTACHMENTS AND OPTIONAL EXTRAS BROADEN THE RANGE OF POSSIBLE APPLICATIONS.

6-in-1 loader bucket

1 Dig, doze, load, grab, grade and backfill with one attachment.

Front hydraulic quick couplers

2 Quick couplers enable fast changing of attachments and accommodate a wide range of attachments.

Hydraulic thumb

3 With its its profiled edge, this option increases the ability of a 3CX or 4CX SUPER to handle round-profile objects and awkwardly-shaped materials, such as logs, pipes and scrap metal.

29-foot hose reel and hand tool circuit

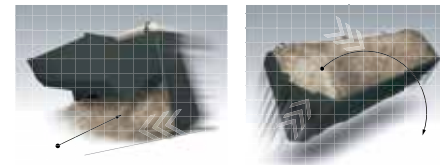
4 A 5.3-gpm (20 l/min) hand held tool circuit, with a 29-foot (9-meter) hose reel, provides a wide working radius. A vast array of hand tools is available.

Hydraulic quick coupler

5 This "pin grabber" quick coupler allows fast and safe connection to a range of attachments with different pin diameters.

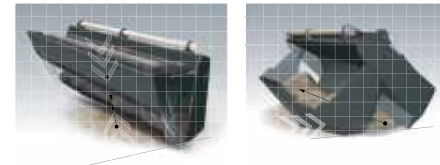
Combined hammer and bi-directional unit

6 Available in hammer-only or hammer-and-bi-directional configuration, this option provides low-flow and high-flow hydraulic power with low back pressure. The circuit operates independently of the extending dipper and is compatible with a wide range of single- and double-acting attachments.



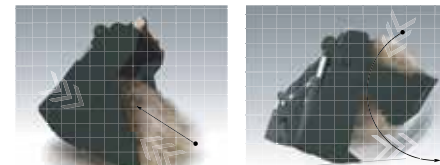
Dozing

Loading



Grabbing

Grading



1

Digging

Backfilling



3



4



2



5



6

3CX AND 4CX SIDE-SHIFT.

BOASTING ALL OF THE FEATURES AND BENEFITS OF A CENTER-MOUNT BACKHOE LOADER, THE JCB 3CX AND 4CX SIDE-SHIFT MACHINES FEATURE A UNIQUE CHASSIS DESIGN AND EXTRA FUNCTIONALITY.



Designed to do more

1 With a 3CX or 4CX SUIPER side-shift backhoe, the operator can move the excavator to either side of the chassis, to excavate parallel to buildings, walls and other obstacles. A side-shift backhoe can also work in spaces that are too narrow or confined for a conventional, center-mount machine.

2 The transport length of a side-shift machine is more than 5 feet (1.5 meters) shorter than a conventional, center-mount machine. This makes it easier to navigate around confined job sites and provides more available room on the trailer during transport.

3 Side-shift backhoes offer greater visibility to the excavator-end, for improved productivity and reduced operator effort.



Excelling on every site

- 4** JCB Powerslide uses a large hydraulic cylinder to effortlessly reposition the excavator. By repositioning the excavator, rather than the machine, the potential for damage to asphalt and paved surfaces is reduced.
- 5** Lift performance is excellent, with a maximum lift capacity of 1,550 lb at full reach over the side of the machine.
- 6** To guard against impact damage, 3CX and 4CX SUPER side-shift models can be equipped with rear light guards.
- 7** Optional street-pads provide added protection to the ground when the stabilizers are deployed.

The side-shift design allows safe and efficient operation within the width of a single road lane, to reduced impact on road and pedestrian traffic.

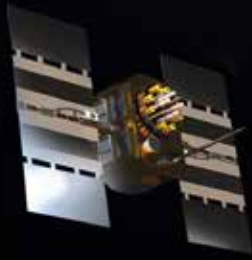
Vertical-drop stabilizer legs enable an operating width that is 3 feet 1 inch (0.94 m) narrower than conventional, center-mount backhoes. This makes side-shift machines particularly well suited to confined work sites, such as narrow streets, cemeteries and small building lots.



LIVELINK, WORK SMARTER.

LIVELINK IS AN INNOVATIVE SOFTWARE SYSTEM THAT LETS YOU MANAGE YOUR JCB MACHINES REMOTELY FROM A COMPUTER, TABLET OR SMARTPHONE.

Productivity and cost benefits—By providing information like idle time monitoring and machine fuel consumption, JCB LiveLink helps reduce your fuel usage, saving money and improving productivity. Machine location information can help improve efficiency and possibly reduce insurance costs.



Maintenance benefits—Accurate hours monitoring, maintenance history records, critical machine alerts and service alerts for improved maintenance planning.

Security benefits—Real-time geofencing allows you to set operating zones, while curfew alerts let you know when your machinery is operated outside of predetermined times. Location information helps to plan and monitor the safe storage of your machine.

VALUE ADDED.

WHATEVER YOU NEED AND WHEREVER YOU ARE, JCB'S DEPENDABLE NORTH AMERICAN DEALER NETWORK IS HERE TO MAKE SURE YOUR MACHINERY PERFORMS TO ITS FULL POTENTIAL.



1 JCB Technical Support Service provides instant access to factory expertise, day or night.

JCB's Finance team is always on hand to provide fast, flexible, competitive quotes.



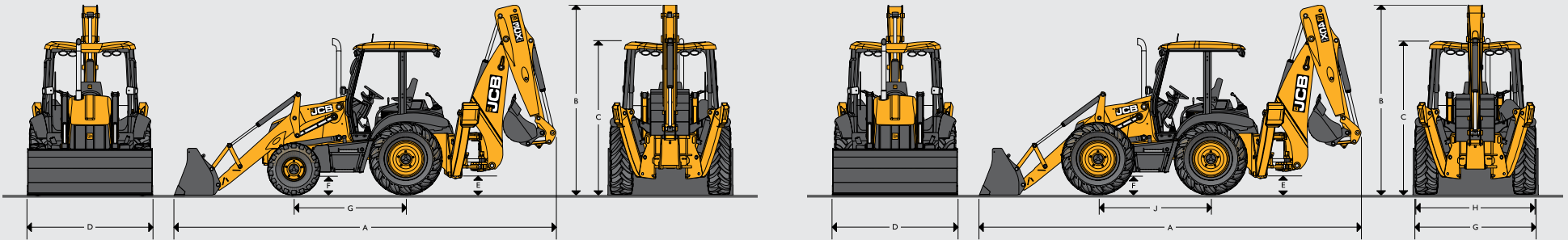
JCB Yellow Shield offers comprehensive extended warranties and service agreements, as well as service-only or repair and maintenance contracts. JCB maintenance teams offer competitive labor rates and no-obligation quotes.



2 The global network of JCB Parts Centers is a model of efficiency. With 16 regional bases, we can deliver around 95 percent of all parts anywhere in the world. Our genuine JCB parts are designed to work in perfect harmony with your machine for optimum performance and productivity.

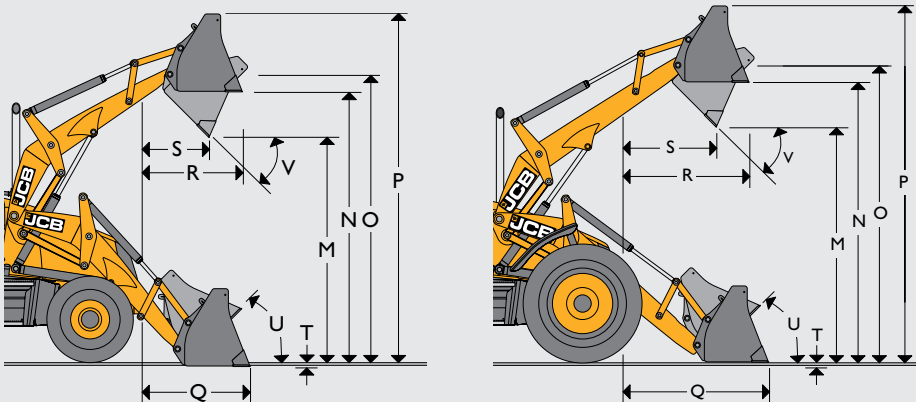
Note: JCB LIVELINK and JCB ASSETCARE may not be available in your region, so please check with your local dealer.

STATIC DIMENSIONS



Machine model			3CX-14	3CX-14 SUPER	3CX-15 SUPER	4CX-14 SUPER	4CX-15 SUPER
Drive			4WD	4WD	4WD	4WD	4WD
A	Transport length	ft-in (m)	23-7 (7.19)	23-7 (7.19)	24-7 (7.49)	24-2 (7.37)	25-2 (7.67)
B	Transport height - fixed dipper	ft-in (m)	11-3 (3.43)	11-3 (3.43)	12-9 (3.89)	11-3 (3.43)	12-9 (3.89)
B	Transport height - extending dipper	ft-in (m)	11-7 (3.53)	11-7 (3.53)	12-10 (3.91)	11-7 (3.53)	12-10 (3.91)
C	Height to top of cab/canopy	ft-in (m)	9-3 (2.81)	9-5 (2.87)	9-5 (2.87)	9-5 (2.87)	9-5 (2.87)
D	Overall width with bucket	ft-in (m)	7-9 (2.35)	7-9 (2.35)	7-9 (2.35)	7-9 (2.35)	7-9 (2.35)
E	Ground clearance - mainframe	ft-in (m)	1-1 (0.33)	1-1 (0.33)	1-1 (0.33)	1-1 (0.34)	1-1 (0.34)
F	Ground clearance - front axle	ft-in (m)	0-11 (0.28)	0-11 (0.28)	0-11 (0.28)	1-6 (0.45)	1-6 (0.45)
G	Wheelbase	ft-in (m)	7-1 (2.17)	7-1 (2.17)	7-1 (2.17)	7-3 (2.22)	7-3 (2.22)

LOADER DIMENSIONS



Machine model			3CX-14 3CX-14 SUPER 3CX-15 SUPER	4CX-14 SUPER 4CX-15 SUPER
M	Dump height	ft-in (m)	9-0 (2.74)	8-10 (2.69)
N	Load over height	ft-in (m)	10-7 (3.23)	10-6 (3.21)
O	Loader hinge pin height	ft-in (m)	11-4 (3.45)	11-4 (3.46)
P	Max. operating height	ft-in (m)	13-7 (4.14)	13-4 (4.06)
Q	Reach at ground level	ft-in (m)	4-8 (1.42)	4-8 (1.42)
R	Max. reach at full height	ft-in (m)	3-11 (1.20)	4-0 (1.21)
S	Dump reach at full height	ft-in (m)	2-9 (0.83)	2-8 (0.82)
U	Roll back at ground	degrees	45	45
T	Dig depth	ft-in (m)	0-3 (0.07)	0-6 (0.14)
V	Dump angle	degrees	45	45

LOADER PERFORMANCE

Machine model	3CX-14		3CX-14 SUPER		3CX-15 SUPER		4CX-14 SUPER		4CX-15 SUPER		
	GP bucket	6-in-1 bucket	GP bucket	6-in-1 bucket	GP bucket	6-in-1 bucket	GP bucket	6-in-1 bucket	GP bucket	6-in-1 bucket	
Bucket type											
Bucket breakout force	lbf (kgf)	13,603 (6,170)	14,398 (6,531)	13,603 (6,170)	14,398 (6,531)	13,603 (6,170)	14,398 (6,531)	13,728 (6,227)	14,528 (6,590)	13,728 (6,227)	14,528 (6,590)
Lift capacity @ full height	lb (kg)	7,670 (3,479)	7,119 (3,229)	9,233 (4,188)	8,649 (3,923)	10,225 (4,638)	9,652 (4,378)	10,225 (4,638)	9,652 (4,378)	10,225 (4,638)	9,652 (4,378)
Bucket clamp force	lbf (kgf)	-	6,488 (2,943)	-	6,488 (2,943)	-	6,488 (2,943)	-	6,488 (2,943)	-	6,488 (2,943)

LOADER ATTACHMENTS – QUICK COUPLER INTEGRATED FORK DIMENSIONS

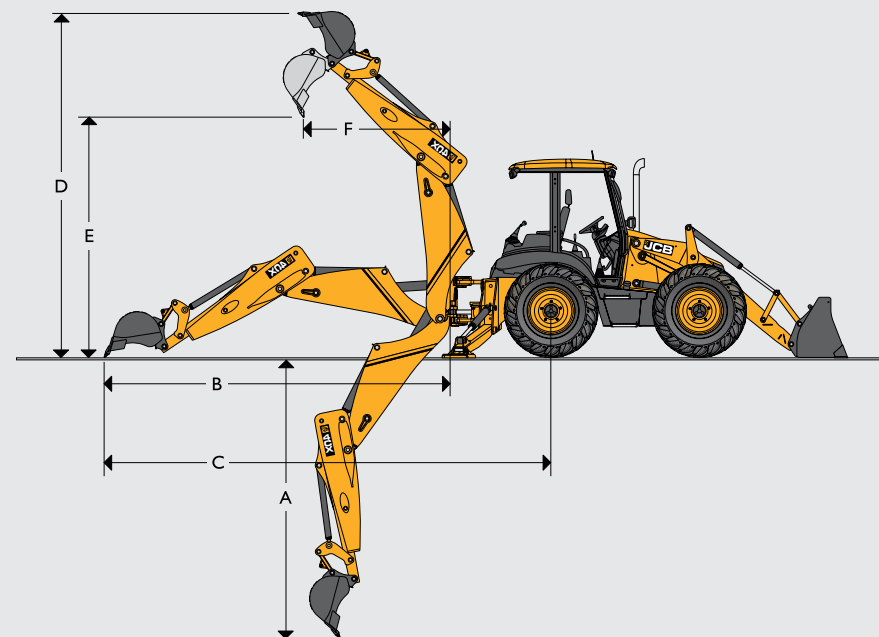
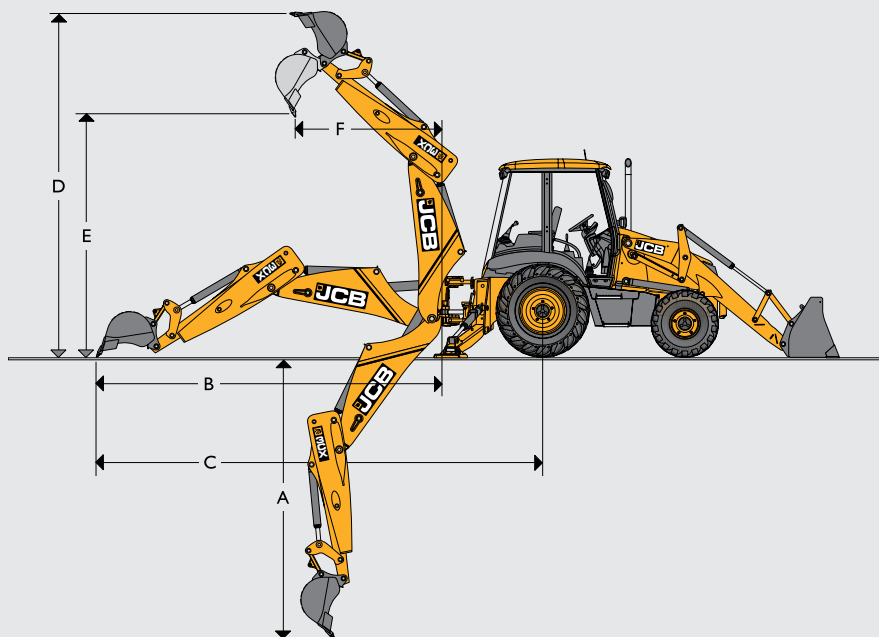
Machine model	3CX-14 3CX-14 SUPER 3CX-15 SUPER 4CX-14 SUPER 4CX-15 SUPER		
	6-in-1 mounted		
W	Forks – tine length	ft-in (m)	3-7 (1.10)
	Forks – tine width	ft-in (m)	0-3 (0.08)
X	Forks reach at ground level	ft-in (m)	8-10 (2.68)
Y	Forks reach at full height	ft-in (m)	7-7 (2.30)
Z	Forks lift height – max.	ft-in (m)	9-6 (2.90)
	Fork spacing - min.	ft-in (m)	0-8 (0.20)
	Fork spacing - max.	ft-in (m)	7-1 (2.17)

OPERATING WEIGHTS

Machine model		3CX-14	3CX-14 SUPER	3CX-15 SUPER	4CX-14 SUPER	4CX-15 SUPER
Drive		4WD	4WD	4WD	4WD	4WD
Base unit	lb (kg)	16,191 (7,344)	17,101 (7,757)	18,459 (8,373)	17,659 (8,010)	19,017 (8,626)
Additional weight for Cab	lb (kg)	631 (286)	631 (286)	631 (286)	631 (286)	631 (286)
Additional weight for Extradig	lb (kg)	882 (400)	882 (400)	-	882 (400)	-
Additional weight for Thumb	lb (kg)	1,204 (546)	1,204 (546)	1,204 (546)	1,204 (546)	1,204 (546)

Operating weight to ISO6016 includes machine with canopy, fixed dipper, 6-in-1 shovel, 24" bucket, 750 lb/562 lb counterweight, full fuel tank and operator.

BACKHOE DIMENSIONS - CENTERMOUNT



Machine model			3CX-14 3CX-14 SUPER 4CX-14 SUPER			3CX-15 SUPER 4CX-15 SUPER	
			Fixed Dipper	Extradig Retracted	Extradig Extended	Extradig Retracted	Extradig Extended
A	SAE max. dig depth	ft-in (m)	14-7 (4.45)	14-7 (4.45)	18-6 (5.63)	16-3 (4.95)	20-1 (6.12)
	SAE 2' flat bottom	ft-in (m)	14-5 (4.39)	14-5 (4.39)	18-4 (5.59)	16-1 (4.90)	20-0 (6.10)
B	Reach from swing pivot	ft-in (m)	17-10 (5.44)	17-10 (5.44)	21-6 (6.55)	19-5 (5.92)	23-0 (7.01)
C	Reach from rear axle centerline	ft-in (m)	21-9 (6.63)	21-9 (6.63)	25-6 (7.77)	23-4 (7.11)	26-11 (8.20)
D	Max. operating height	ft-in (m)	17-8 (5.38)	17-8 (5.38)	20-6 (6.25)	18-8 (5.69)	21-0 (6.40)
E	Loading height	ft-in (m)	11-2 (3.40)	11-2 (3.40)	14-0 (4.27)	13-0 (3.96)	15-3 (4.65)
F	Loading reach	ft-in (m)	5-6 (1.68)	5-8 (1.73)	9-1 (2.77)	6-6 (1.98)	10-2 (3.10)
	Swing arc	degrees	180	180	180	180	180
	Stabilizers - transport	ft-in (m)	7-6 (2.29)	7-6 (2.29)	7-6 (2.29)	7-5 (2.25)	7-5 (2.25)
	Stabilizers - operating	ft-in (m)	10-10 (3.30)	10-10 (3.30)	10-10 (3.30)	10-10 (3.30)	10-10 (3.30)
	Levelling angle	degrees	15	15	15	15	15
	Bucket rotation - max. power position	degrees	185	185	185	185	185
	Bucket rotation - max. rotation position	degrees	201	201	201	201	201

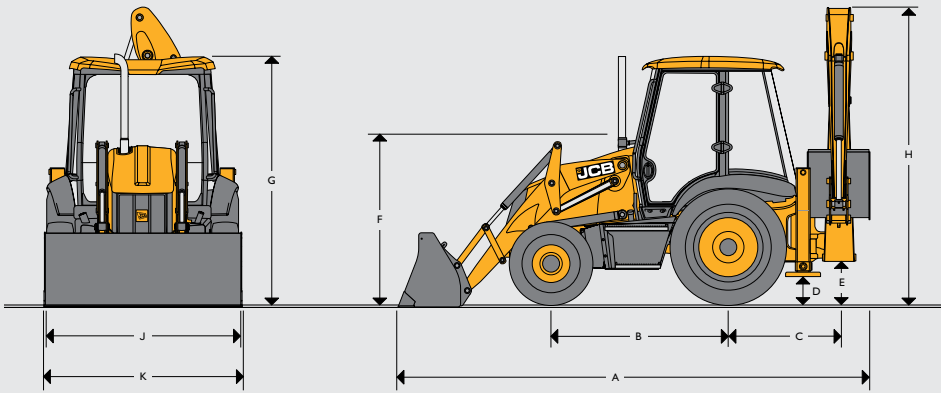
BACKHOE PERFORMANCE

Machine model		3CX-14	3CX-14 SUPER 4CX-14 SUPER	3CX-15 SUPER 4CX-15 SUPER
Breakout force	lbf (kgf)	13,730 (6,228)	13,730 (6,228)	13,730 (6,228)
Dipper tearout	lbf (kgf)	7,110 (3,225)	8,605 (3,903)	8,605 (3,903)
Lift capacity of bucket pivot @ full reach with dipper retracted	lb (kg)	3,199 (1,451)	4,156 (1,885)	4,156 (1,885)

BACKHOE LIFT CAPACITIES

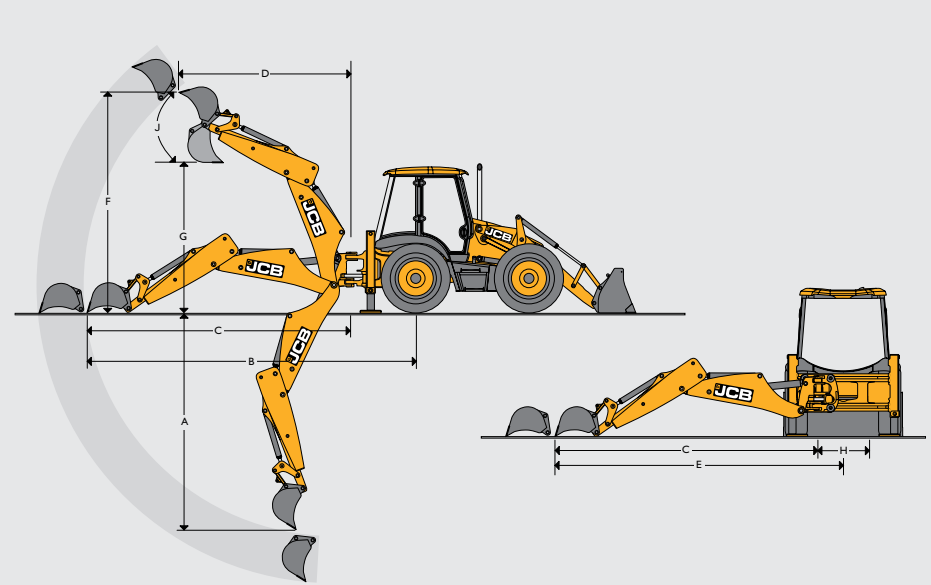
Machine model		3CX-14 SUPER 4CX-14 SUPER			3CX-15 SUPER 4CX-15 SUPER	
		Standard	Extradig - Retracted Extradig	Extradig - Extended	Extradig - Retracted Extradig	Extradig - Extended
Excavator type						
Boom lift capacity - SAE J31						
+18	lb	-	-	-	-	-
+16	lb	-	-	2,423	-	2,318
+14	lb	4,233	4,034	2,646	4,646	2,623
+12	lb	4,352	4,134	2,714	4,831	2,762
+10	lb	4,250	4,023	2,718	4,807	2,819
+8	lb	4,099	3,867	2,691	4,694	2,832
+6	lb	3,939	3,703	2,649	4,378	2,821
+4	lb	3,784	3,545	2,601	4,188	2,841
+2	lb	3,640	3,364	2,557	4,096	2,753
Ground level	lb	3,509	3,262	2,503	4,093	2,668
-2	lb	3,390	3,140	2,460	4,105	2,585
-4	lb	3,287	3,032	2,424	4,010	2,504
-6	lb	3,205	2,944	2,400	3,937	2,422
-8	lb	3,161	2,891	2,394	3,897	2,334
-10	lb	3,246	2,950	2,421	3,928	2,227
-12	lb	-	-	2,528	4,216	2,053
-14	lb	-	-	3,001	-	1,547
-16	lb	-	-	-	-	1,546
-18	lb	-	-	-	-	-
Dipper lift capacity - SAE J31			1,940 (880)	1,984 (880)	1,940 (880)	1,984 (880)
+18	lb	-	-	-	-	-
+16	lb	-	-	3,331	-	4,067
+14	lb	6,357	6,220	3,682	5,165	4,212
+12	lb	6,991	6,847	3,842	5,280	4,261
+10	lb	7,090	6,968	3,931	5,170	4,278
+8	lb	7,193	7,059	4,002	5,406	4,300
+6	lb	7,528	7,390	4,098	6,197	4,359
+4	lb	-	-	4,279	-	4,505
+2	lb	-	-	4,716	-	4,883
Ground level	lb	-	-	-	-	-

STATIC DIMENSIONS – SIDESHIFT



Model		3CX-14 3CX-14 SUPER	4CX-14 SUPER	4CX-15 SUPER
Drive		4WD	4WD	4WD
A	Transport length	ft-in (m) 18-5 (5.62)	19-5 (5.91)	19-5 (5.91)
B	Wheelbase	ft-in (m) 7-1 (2.17)	7-3 (2.22)	7-3 (2.22)
C	Slew center to rear axle centerline	ft-in (m) 4-6 (1.36)	4-6 (1.36)	4-6 (1.36)
D	Stabilizer feet clearance	ft-in (m) 1-3 (0.37)	1-1 (0.34)	1-1 (0.34)
E	Kingpost clearance	ft-in (m) 1-8 (0.52)	1-8 (0.50)	1-8 (0.50)
F	Steering wheel center height	ft-in (m) 6-4 (1.94)	6-2 (1.88)	6-2 (1.88)
G	Height to top of cab/canopy	ft-in (m) 9-11 (3.03)	9-11 (3.03)	9-11 (3.03)
H	Transport height - extending dipper	ft-in (m) 11-10 (3.61)	11-11 (3.62)	13-0 (3.97)
J	Rear frame width	ft-in (m) 7-9 (2.35)	7-9 (2.36)	7-9 (2.36)
K	Overall width with bucket	ft-in (m) 7-9 (2.35)	7-9 (2.35)	7-9 (2.35)

BACKHOE DIMENSIONS – SIDESHIFT



BACKHOE DIMENSIONS – SIDESHIFT

Model			3CX-14		4CX-14 SUPER		4CX-15 SUPER	
Excavator type			Extradig Retracted	Extradig Extended	Extradig Retracted	Extradig Extended	Extradig Retracted	Extradig Extended
A	SAE max. dig depth	ft-in (m)	13-11 (4.24)	17-11 (5.46)	14-2 (4.32)	18-2 (5.53)	16-4 (4.98)	20-2 (6.14)
	SAE 2' flat bottom	ft-in (m)	13-10 (4.21)	17-10 (5.43)	14-1 (4.29)	18-1 (5.50)	16-2 (4.93)	20-1 (6.11)
	Max. dig depth with deep profile bucket	ft-in (m)	15-7 (4.75)	19-7 (5.97)	15-4 (4.67)	19-3 (5.88)	17-7 (5.35)	21-4 (6.51)
B	Reach from rear axle centerline	ft-in (m)	22-1 (6.72)	25-10 (7.87)	22-1 (6.74)	25-10 (7.88)	24-1 (7.35)	27-8 (8.44)
C	Reach from swing pivot	ft-in (m)	17-7 (5.37)	21-5 (6.52)	17-9 (5.40)	21-5 (6.54)	19-9 (6.01)	23-4 (7.10)
D	Reach @ full height to swing pivot	ft-in (m)	9-0 (2.74)	12-0 (3.66)	9-3 (2.82)	12-4 (3.75)	11-3 (3.43)	14-8 (4.47)
E	Side reach to center line of machine	ft-in (m)	19-6 (5.94)	23-3 (7.09)	19-9 (6.02)	23-6 (7.16)	21-11 (6.69)	25-4 (7.71)
F	Max. operating height	ft-in (m)	18-2 (5.53)	20-10 (6.35)	17-11 (5.45)	20-6 (6.26)	19-4 (5.89)	21-5 (6.52)
G	Loading height	ft-in (m)	12-7 (3.84)	15-6 (4.72)	12-7 (3.84)	15-6 (4.73)	13-4 (4.06)	16-6 (5.03)
	SAE loading height	ft-in (m)	11-2 (3.40)	14-2 (4.32)	11-1 (3.39)	14-1 (4.28)	11-9 (3.58)	14-11 (4.55)
H	Total kingpost travel	ft-in (m)	3-10 (1.16)	3-10 (1.16)	3-10 (1.16)	3-10 (1.16)	3-10 (1.16)	3-10 (1.16)
J	Bucket rotation - max. power position	degrees	185	185	185	185	185	185
J	Bucket rotation - max. rotation position	degrees	201	201	201	201	201	201
	Swing arc	degrees	180	180	180	180	180	180

ENGINE

Machine model	3CX-14		3CX-14 SUPER		3CX-14 SUPER 3CX-15 SUPER 4CX-14 SUPER 4CX-15 SUPER	
Manufacturer			JCB			
Model			EcoMAX			
Emissions			Tier 4 Final/Stage IV			
DPF			No			
DEF	No		Yes		Yes	
DOC			No			
Displacement	liters		4.4			
Aspiration			Turbocharged & Intercooler			
Cylinders			4			
Gross hp - SAE J1195 (ISO 14396)	hp (kW)	74 (55)	91 (68)		109 (81)	
Net hp - SAE J11349	hp (kW)	71 (53)	86 (64)		101 (75)	
Max torque @ rpm	lb-ft (N.m)	295 (400) @ 1,200	319 (433) @ 1,500		381 (516) @ 1,500	
Valves per cylinder			4			
Air cleaner			Integrated pre-cleaner, scavenged			

HYDRAULIC SYSTEM

Model	3CX-14		3CX-14 SUPER, 3CX-15 SUPER, 4CX-14 SUPER, 4CX-15 SUPER		
Control type	Advanced EasyControl		Manual	EasyControl	Advanced EasyControl
Pump type			Variable Flow		
Circuit type	Closed center		Open center		Closed center
Pump output	gpm (lpm)	44 (165)			
Relief pressure	psi (bar)	3,655 (252)			
Filter rating	micron	5/12			

FRONT AXLE

Model	3CX-14 3CX-14 SUPER 3CX-15 SUPER		4CX-14 SUPER 4CX-15 SUPER	
Drive	4WD			
Manufacturer	JCB			
Type	MaxTrac torque proportioning		LSD with outboard planetary drive	
Static load rating	lb (kg)	36,376 (16,500)	55,116 (25,000)	
Dynamic load rating	lb (kg)	18,298 (8,300)	27,558 (12,500)	
SAE J43 rating	lb (kg)	24,251 (11,000)	33,069 (15,000)	
Oscillational angle	degrees	16		

STEERING

Model	3CX-14 3CX-14 SUPER 3CX-15 SUPER		4CX-14 SUPER 4CX-15 SUPER	
Type	Power Track Rod			
Steering turns lock to lock	2-3/4			
Curb turning diameter - unbraked	ft-in (mm)	26-7 (8.1)	29-10 (9.1)	
Loader clearance diameter - unbraked	ft-in (mm)	34-1 (10.4)	35-1 (10.7)	
Curb turning diameter - braked	ft-in (mm)	22-8 (6.9)	26-3 (8.0)	
Loader clearance diameter - braked	ft-in (mm)	31-2 (9.5)	31-2 (9.5)	
(Depending on tire size, ground conditions, etc)				

REAR AXLE

Model	3CX-14 3CX-14 SUPER 3CX-15 SUPER		4CX-14 SUPER 4CX-15 SUPER	
Manufacturer	JCB			
Type	LSD with outboard planetary drive			
Static load rating	lb (kg)	55,116 (25,000)	55,116 (25,000)	
Dynamic load rating	lb (kg)	27,558 (12,500)	27,558 (12,500)	
SAE J43 rating	lb (kg)	24,251 (11,000)	24,251 (11,000)	

ELECTRICAL SYSTEM

Machine model	3CX-14		3CX-14 SUPER, 3CX-15 SUPER, 4CX-14 SUPER, 4CX-15 SUPER	
System voltage	volts	12	12	
Alternator output	amps	95	150	
Battery capacity	amps	110 (900 CCA)	120 (1,000 CCA)	

TRANSMISSION

Model		3CX-14		3CX-14 SUPER – 3CX-15 SUPER 4CX-14 SUPER – 4CX-15 SUPER	
Manufacturer		JCB	JCB	JCB	JCB
Type		Manual	Powershift	Powershift	Autoshift
Gear selection		Manual	Powershift	Powershift	Powershift/Autoshift
Shuttle Control - F/R		Power Shuttle	Power Shuttle	Power Shuttle	Power Shuttle
Gear F/R		4F/4R	4F/4R	4F/4R	6F/4R
Torque converter ratio		2.52:1	2.52:1	2.52:1	2.52:1
Torque lock available		No		Yes	
Gear 1	mph (km/h)	3.0 (4.9)	3.2 (5.1)	3.2 (5.1)	3.2 (5.1)
Gear 2	mph (km/h)	5.3 (8.6)	5.2 (8.3)	5.2 (8.3)	5.3 (8.6)
Gear 3	mph (km/h)	12.3 (19.8)	11 (17.7)	11 (17.7)	7.2 (11.6)
Gear 4	mph (km/h)	22.8 (36.7)	22.8 (36.7)	22.8 (36.7)	11.6 (18.7)
Gear 5	mph (km/h)	-	-	-	19.3 (31.1)
Gear 6	mph (km/h)	-	-	-	26 (41.8)

SERVICE CAPACITIES

Model		3CX-14	3CX-14 SUPER 3CX-15 SUPER	4CX-14 SUPER 4CX-15 SUPER
Cooling system	gal (l)		5.0 (19)	
Fuel tank	gal (l)		40 (150)	
Engine oil with filter	gal (l)		4.0 (15)	
Transmission with filter	gal (l)		4.2 (16)	
Front axle	gal (l)		4.2 (16)	
Rear axle	gal (l)		4.2 (16)	
Drive hubs	gal (l)		0.5 (2)	
Hydraulic system including tank	gal (l)	30.9 (117)		34.9 (132)

STANDARD FEATURES

Machine model	3CX-14	3CX-14 SUPER 3CX-15 SUPER	4CX-14 SUPER 4CX-15 SUPER
Loader	Parallel lift loader arms, loader bucket float, AutoSRS, Return to dig		
Excavator	Standard lift cylinders	Heavy lift cylinders	Heavy lift cylinders
Operator's station	LiveLink, AutoCHECK, AutoIDLE, AutoTHROTTLE, AutoBOOMLOCK (joysticks only), AutoSTABILIZERSUP (joysticks only)		
Drivetrain	74 hp (55 kW) EcoMAX T4F, LSD rear axle, engine block heater	109 hp (81 kW) EcoMAX T4F, LSD rear axle, LSD front axle (4CX SUPER only), engine block heater	
Hydraulic system	Variable flow pump, 44 gpm (165 lpm) flow, 3,655 psi (252 bar)		

OPTIONAL FEATURES

Machine model	3CX-14	3CX-14 SUPER 3CX-15 SUPER	4CX-14 SUPER 4CX-15 SUPER
Loader	Loader pipework, selection of general and multi-purpose buckets, quick-coupler, forks, hose burst check valves		
Excavator	Lifting points, hammer pipework, bi-directional pipework, hydraulic thumb, selection of buckets, quick coupler		
Operator's station	AutoPREHEAT, heated windshield, keypad immobilizer, air suspension seat, coffee machine		
Drivetrain	Selection of front and rear tires		
Hydraulic system	Hand-held tool circuit with hose reel,		



ONE COMPANY, MORE THAN 300 MACHINES.

BACKHOE LOADER 3CX-14/3CX SUPER/4CX SUPER

Gross power: 74 hp (55 kW) / 91 hp (68 kW) / 109 hp (81 kW) Max. dig depth: 14'7" – 20'1" (4.45 m – 6.12 m)

JCB North America

2000 Bamford Blvd., Pooler, Georgia, 31322 Tel: (912) 447-2000

Download the very latest information on this product range at www.jcb.com

JCB inc. All rights reserved. No part of this publication may be reproduced, stored in a retrieval system, or transmitted in any form or by any other means, electronic, mechanical, photocopying or otherwise, without prior permission from JCB inc. All references in this publication to operating weights, sizes, capacities and other performance measurements are provided for guidance only and may vary dependant upon the exact specification of machine. They should not therefore be relied upon in relation to suitability for a particular application. Guidance and advice should always be sought from your JCB Dealer. JCB reserves the right to change specifications without notice. Illustrations and specifications shown may include optional equipment and accessories. The JCB logo is a registered trademark of J C Bamford Excavators Ltd.

Your nearest JCB Dealer

