

COPY OF NC SHERIFFS' ASSOCIATION LDT BUILD SHEET PROPOSAL



BATTLE
M O T O R S

Date

03/28/2023

Quote Information

202303281449-F5FA

2024 Sales LDT

Qty: 1

Prepared For

NC Sheriffs' Assoc / TBD

PO Box 20049

Raleigh, NC 27619

K Mitman 919-459-6471 kmitman@ncsheriffs.net

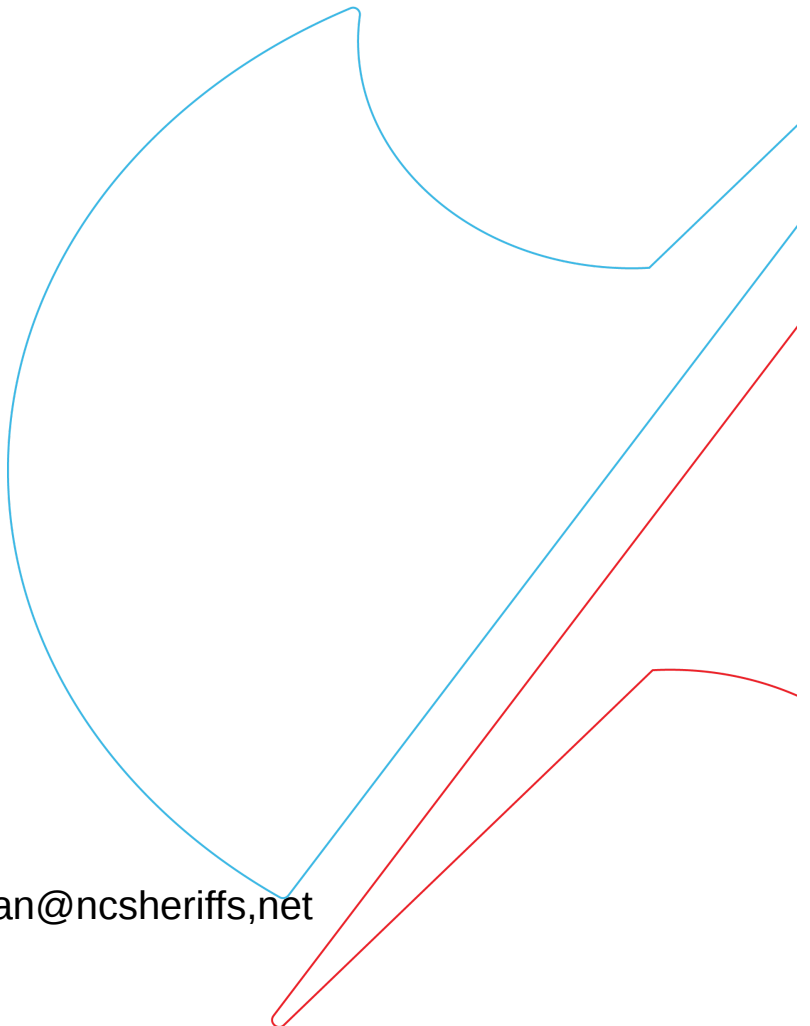
Prepared By

Jim Easley

stscce@yahoo.com

Southern Truck Service, Inc.

Shipping Destination: Dover, OH



COPY OF NC SHERIFFS' ASSOCIATION LDT BUILD SHEET PROPOSAL

MODEL	DESCRIPTION
9999-CUSTOM-140230	SOURCEWELL NON-SOURCEWELL
9999-CUSTOM-139414	FUEL TYPE DIESEL
9999-CUSTOM-83073	BODY APPLICATION LABRIE A/MSL, DROP FRAME
9999-CUSTOM-83335	PRODUCT AVAILABILITY ORDER MAJOR COMPONENTS - LEAD TIME / AVAILABILITY
9999-CUSTOM-83099	CARB/EPA EPA / NON-CARB
9999-CUSTOM-83076	FRAME - WHEELBASE 248 WHEELBASE, DROP FRAME
9999-CUSTOM-83057	FRAME SILLS DOUBLE SILLS
9999-CUSTOM-142335	FRAME SILL LENGTH 25' FRAME SILLS
9999-CUSTOM-82527	CAB STYLE LDT2 STANDARD CAB WITHOUT EXTERIOR SUNVISOR
9999-CUSTOM-82534	CAB / DOORS LDT2 STANDARD CAB, W/O VISOR, LH ELECTRIC ROLL-UP / RH ELECTRICROLL-UP DOORS
9999-CUSTOM-82491	DRIVE TYPE LH DRIVE
9999-CUSTOM-83079	ENGINE MODEL CUMMINS L9, LDT2
9999-CUSTOM-83083	TRANSMISSION MODEL ALLISON 3500RDS, LDT2
1000-3231	ENGINE CUMMINS 2022 L9, 270 HP, A/C, 3000 SERIES TRANSMISSION, W/O ENGINE BRAKE, LDT2
1007-1150	TRANSMISSION TRANSMISSION ALLISON 3500RDS, TC-418, NON-RETARDER
9999-CUSTOM-83065	REAR SUSPENSION MODEL HMX-460 - HENDRICKSON HAULMAAX, 46,000 LBS RATED
9999-CUSTOM-83052	REAR DRIVE AXLE MODEL DSH44P - REAR DRIVE AXLE
1200A-0373	REAR DRIVE AXLE REAR AXLE DSH44-P 16.5X8.63, 6.17R, STD DIFF, FULLY DRESS,
1201-1513	REAR SUSPENSION REAR SUSPENSION, DSH44P, HMX-460, 0 DEG, 0/12.5, SGL SILL
9999-CUSTOM-83323	PUSHER AXLE NO OPTION - PUSHER AXLE
9999-CUSTOM-83324	TAG AXLE NO OPTION - TAG AXLE

COPY OF NC SHERIFFS' ASSOCIATION LDT BUILD SHEET PROPOSAL

MODEL		DESCRIPTION
9999-CUSTOM-142167	PUSHER/TAG SPACING	NO OPTION - PUSHER/TAG SPACING
2102-0132	ABS SYSTEM	ABS SYSTEM, BENDIX 4S/4M, 500K BAUD

CHASSIS		DESCRIPTION
9999-CUSTOM-142363	FEPTO ADAPTER	1350/1410 FEPTO ADAPTER
9999-CUSTOM-142626	FUEL TANK SPACERS	NO OPTION - FUEL TANK SPACER
9999-CUSTOM-83061	CHASSIS, CAB INTERAXLE BUZZER	NO OPTION - INTERAXLE BUZZER, CHASSIS
9999-CUSTOM-82671	DECAL - ENGINE, 50 STATE CLEAN IDLE/CARB	NO OPTION - CLEAN IDLE DECAL
2000-4813	DECALS - CHASSIS EXTERIOR	DECALS, EXTERIOR, DIESEL, TRANSYND
2003-0613	HVAC - CHASSIS	HVAC, HEATER ONLY, AURORA NON-BLENDING
2201-0118	WINDSHIELD WIPERS - CHASSIS	WINDSHIELD WIPERS, SINGLE DRIVE
1010-1222	AIR CLEANER	AIR CLEANER, CUMMINS L9, CUMMINS OPTI-AIR, LDT2
9999-CUSTOM-82666	CAC PIPING	NO OPTION - CHARGE AIR PIPING, L9
2103-0293	ELECTRICAL, ENGINE	ELECTRICAL, ENGINE, CUMMINS L9, 500K BAUD
9999-CUSTOM-83087	ENGINE, BELT	NO OPTION - L9 ENGINE BELT, A/C
1006-1122	ENGINE MOUNTING	ENGINE MOUNTING, CUMMINS L9/L9N, DOUBLE SILLS, 3000RDS, NON-RETARDER
9999-CUSTOM-82621	GAUGE - ENGINE OIL TEMP GAUGE	NO OPTION - ENGINE OIL TEMP GAUGE
1802-0076	CAB MOUNTING	CAB MOUNTING - LET2 STANDARD CAB
9999-CUSTOM-142407	FRAME MODIF, CNG TANK DRILLING	NO OPTION - CNG TANK DRILLING
9999-CUSTOM-83074	FRAME - BATTERY BOX MTG, DROP FRAME	NO OPTION - BATTERY BOX MTG, DROP FRAME
1502-0580	FRAME - FRONT EXTENSION	FRONT FRAME EXTENSION, WIDE FLANGE FLAT BUMPER

COPY OF NC SHERIFFS' ASSOCIATION LDT BUILD SHEET PROPOSAL

CHASSIS		DESCRIPTION
9999-CUSTOM-83075	FRAME - FUEL TANK MTG, DROP FRAME	NO OPTION - FUEL TANK MTG, DROP FRAME
1503-2963	OVER ENGINE CROSSMEMBER	OVER ENGINE CROSSMEMBER, OFFSET RH SIDE RADIATOR, LET2
2100-3347	ELECTRICAL, BASE, CHASSIS	ELECTRICAL, BASE, CHASSIS, 500K BUAD, DIESEL/CNG
9999-CUSTOM-82834	AUTO NEUTRAL - CHASSIS	NO OPTION - AUTO NEUTRAL, CHASSIS
9999-CUSTOM-83070	AIR PIPING, RDS-209 TRACTION ASSIST	NO OPTION - RDS-209 TRACTION ASSIST
1908-0088	AIR PIPING, REAR AXLE	AIR PIPING, TANDEM REAR AXLE, 4S/4M
1204-0227	REAR BUMP BLOCKS	REAR BUMP BLOCK, CAST BOLT ON, HMX
1402-0629	POWER STEERING RESERVOIR	POWER STEERING RESERVOIR, 4 QT, 2021 L9/L9N, TRW PUMP, LDT2
1401-0331	STEERING COLUMN CHASSIS (LH)	STEERING COLUMN, CHASSIS - LDT2, LHD, TILT, W/CRUISE, 18" WHEEL
9999-CUSTOM-139406	STEERING COLUMN CHASSIS (RH)	NO OPTION - RH STEERING, CHASSIS
1400-0714	STEERING GEAR	STEERING GEAR, XD-120, LH DRIVE, STANDARD CAB, LDT ONLY
9999-CUSTOM-82837	ELECTRICAL, TRANSMISSION RETARDER	NO OPTION - TRANSMISSION RETARDER, CHASSIS
2501-1525	TRANSMISSION OIL PIPING	TRANSMISSION PIPING-L9/L9N/X12, 3000RDS/4000RDS
9999-CUSTOM-83008	GAUGES - MISC OPTIONS	NO OPTION - MISC GAUGES, CHASSIS
9999-CUSTOM-140304	FRAME MODIF, CENTER BEARING DRILLING	NO OPTION, CENTER BEARING DRILLING
9999-CUSTOM-142262	FRAME MODIF, REAR BUMPER ASSY	NO OPTION - FRAME MOD REAR BUMPER

OPTIONS, CHASSIS		DESCRIPTION
1100A-0059	FRONT STEER AXLE	FRONT STEER AXLE, D2000F, STD TRK, 24" CMBR, >190" WB, 16.5 X 7 ES1100 BRAKES
1101-0638	FRONT SUSPENSION	FRONT SUSPENSION, D2000F, (4) TAPER LEAF, STD SHOCKS
2000-4736	LUBE, REAR DRIVE	

COPY OF NC SHERIFFS' ASSOCIATION LDT BUILD SHEET PROPOSAL

OPTIONS, CHASSIS		DESCRIPTION
	AXLE	LUBE, REAR AXLE, STANDARD, DS405/DSH44P AXLE 85W-140
9999-CUSTOM-142595	BREATHER, REAR DRIVE AXLE	NO OPTION - AXLE BREATHER
9999-CUSTOM-83005	ELECTRICAL, AXLE DIFF LOCK CONTROLS	NO OPTION - AXLE DIFF LOCK CONTROLS, CHASSIS
1003-0973	FUEL TANK	DIESEL FUEL TANK, SINGLE 50 GAL, RECTANGULAR STEEL
9999-CUSTOM-82505	FUEL ACCESSORIES	NO OPTION - FUEL ACCESSORIES
2503-0847	FUEL PIPING / FILTER	FUEL PIPING, L9, F.T. LH 158.5/176.5, DEF TANK RH, DROP FRAME. LDT2
9999-CUSTOM-139401	FUEL PIPING, CNG	NO OPTION - FUEL PIPING, CNG
1003A-0049	DEF TANK	DEF TANK, MTD RH BEHIND FENDER, RH 32/38, B6.7/L9
2101-0643	BATTERY BOX	BATTERY BOX, (2) 950 CCA BATTERIES, W/ DISCONNECT SWITCH, PLASTIC COVER
9999-CUSTOM-82509	BATTERY BOX SPACERS	NO OPTION - BATTERY BOX SPACERS
9999-CUSTOM-83002	ELECTRICAL, BATTERY DCS INDICATOR LIGHT	NO OPTION - BATTERY DCS LIGHTING
9999-CUSTOM-82614	ELECTRICAL, JUMP START	NO OPTION - JUMP START
2000-4831	ELECTRICAL, BATTERY CABLES	BATTERY/ALT CABLES, L9/L9N/ISX12N, BATT BOX LH 32/44, DISC SWITCH
2100-2983	ELECTRICAL, POWER FEED HARNESS	ELECTRICAL, POWER FEED, L9/X12, LH UP TO STA. 50
1010A-0052	AIR CLEANER STACK	AIR CLEANER STACK, W/O PRECLNR, LDT2
1004A-0053	EXHAUST STACK	FLARED ELBOW EXHAUST STACK, STAINLESS STEEL, 36" LONG
2100-3361	ENGINE, ALTERNATOR	ALTERNATOR, DELCO 55 SI, 12V, 430 AMP, L9/L9N/ISX12N
9999-CUSTOM-82504	ENGINE COOLING, OPTIONS	NO OPTION - ENGINE COOLING
2000-4701	ENGINE, DIPSTICK/OIL FILL	ENGINE DIPSTICK MTG ONLY, L9/L9N
9999-CUSTOM-83013	ENGINE OIL SAMPLE VALVE	NO OPTION - ENIGNE OIL SAMPLE VALVE

COPY OF NC SHERIFFS' ASSOCIATION LDT BUILD SHEET PROPOSAL

OPTIONS, CHASSIS		DESCRIPTION
2502-0801	AIR DRYER	AIR DRYER, BENDIX, AD9EP, LH REAR/RH FRONT/LH INSIDE SILL FRONT
1910-0529	AIR PIPING, AIR DRYER	AIR PPG, DROP FRAME, L9/L9N/ISX12N, AD9EP/AD-IP, LH STA. 35, MTD FRONT, INSIDE BATTERY BOX MTG, LDT2
9999-CUSTOM-82833	AUTO NEUTRAL	NO OPTION - AUTO NEUTRAL, CAB
2100-3300	ELECTRICAL, TCM	TCM-ALLISON, 3500RDS, SINGLE DRIVE, TC418, 6 SPD, 145 AG, L9
9999-CUSTOM-83012	TRANSMISSION OIL SAMPLE VALVE	NO OPTION - TRANS OIL SAMPLE VALVE
9999-CUSTOM-83003	TRANSMISSION SKID PAN	NO OPTION - TRANSMISSION SKID PAN
1502-0629	FRONT BUMPER	FRONT BUMPER, WIDE FLANGE FLAT BUMPER
9999-CUSTOM-142046	REAR BUMPER	NO OPTION - REAR BUMPER
1801-0591	FENDERS, FRONT	FENDER, FRONT - BLACK PLASTIC, LDT2
9999-CUSTOM-82521	ENGINE, BLOCK HEATER	NO OPTION - ENGINE BLOCK HEATER
1600-5073	PROPSHAFT	PROPSHAFT, 248" WB, L9/L9N, 3000RDS, DSH44P, SPL-170, DROP FRAME
1503-2859	AIR PIPING, FRAME SUPPORTS	FRAME AIR PIPING SUPPORTS, >190" WB, TANDEM AXLE, DOUBLE SILLS
9999-CUSTOM-82520	FRAME - FEPTO CROSSMEMBER	NO OPTION - FETPO CROSSMEMEBER
9999-CUSTOM-82510	TOW PINS/HOOKS OPTIONS	NO OPTION - TOW PINS/LOOPS
9999-CUSTOM-142593	FRONT SKID PLATE	NO OPTION - FRONT SKID PLATE
1906-0790	AIR PIPING, FRAME	FRAME AIR PPG - (3) STEEL AIR TANKS, LDT2, W/ CENTRALIZED DRAINS
9999-CUSTOM-83325	AIR PIPING, PUSHER/TAG AXLE	NO OPTION - PUSHER/TAG AXLE AIR PIPING
9999-CUSTOM-82502	AIR PIPING, OPTIONAL AUTOMATIC DRAIN VALVES	NO OPTION - DRAIN VALVES
9999-CUSTOM-82670	AIR PIPING, OPTIONAL MANUAL DRAIN VALVES	NO OPTION - MANUAL DRAIN VALVES
9999-CUSTOM-		

COPY OF NC SHERIFFS' ASSOCIATION LDT BUILD SHEET PROPOSAL

OPTIONS, CHASSIS		DESCRIPTION
82501	AIR PIPING, OPTIONAL CHARGE VALVE	NO OPTION - CHARGE VALVE
9999-CUSTOM-82503	AIR PIPING, OPTIONAL GLADHANDS	NO OPTION - GLADHANDS
9999-CUSTOM-142071	AIR SUSPENION OVERRIDE	NO OPTION - AIR SUSP DUMP VALVE, CHASSIS
9999-CUSTOM-82499	AIR HORN, CHASSIS	NO OPTION - AIR HORN
2000-2215	BACK-UP ALARM	BACK-UP ALARM, ECCO 575, 107DB
9999-CUSTOM-83010	FIRE EXTINGUISHER - CHASSIS MOUNTED	NO OPTION - FIRE EXTINGUISHER, CHASSIS MOUNTED
9999-CUSTOM-139179	RETAINER CABLES	NO OPTION-RETAINER CABLES
9999-CUSTOM-82514	ELECTRICAL, DRIVE AWAY KIT	NO OPTION - DRIVE AWAY KIT
9999-CUSTOM-139184	WHEEL TORQUE INDICATORS	NO OPTION - WHEEL TORQUE INDICATORS
2-515-4687-0070	TIRES/WHEELS - FRONT STEER AXLE	COOPER RM230WH, 315/80R22.5, 20/L, ACCURIDE, STEEL, PC WHITE 5.25" INSET
8-514-2863-0124	TIRES/WHEELS - DRIVE AXLE	BRIDGESTONE R250ED, 11R22.5, 16/H, ACCURIDE, STEEL, PC WHITE
9999-CUSTOM-83538	TIRES/WHEELS - 60/40 STEER AXLE	NO OPTION - RIDEWELL RDS-209 TIRES
9999-CUSTOM-83539	TIRES/WHEELS - PUSHER AXLE	NO OPTION - PUSHER TIRES/WHEELS
9999-CUSTOM-83531	TIRES/WHEELS - TAG AXLE	NO OPTION - TAG AXLE TIRE/WHEELS
2501-1541	OIL PIPING, CAB TILT	CAB TILT, LET2, ELEC PUMP, ELEC. FAN, NO PLOW
1005-1883	ENGINE COOLING	RADIATOR; CUMMINS 2021 L9, OFFSET RADIATOR LDT2
1004-2077	EXHAUST	EXHAUST, 2021 CUMMINS L9, 260-350 HP, LET2 OFFSET RAD.
9999-CUSTOM-140340	TRACTOR PROTECTION VALVE	NO OPTION - TRACTOR PROTECTION VALVE
9999-CUSTOM-		

COPY OF NC SHERIFFS' ASSOCIATION LDT BUILD SHEET PROPOSAL

OPTIONS, CHASSIS		DESCRIPTION
83326	A/C COMPRESSOR	NO OPTION - 2ND A/C COMPRESSOR
CAB		DESCRIPTION
9999-CUSTOM-142395	CAB, TRACTOR PROTECTION VALVE	NO OPTION - TRACTOR PROTECTION VALVE
1800-1895-CAB	CAB MODEL	CAB ASSY, GREEN GLASS, NO ROOF VENTS, W/O VISOR, LDT2
1809-0173-CAB	CAB - OVERHEAD CONSOLE / RADIO	OVERHEAD CONSOLE, LHD, AM/FM/BLUETOOTH/HANDS FREE RADIO, HVAC CONTROLS, LDT2
1809-0167-CAB	CAB - FLOOR GRIP TAPE	FLOOR GRIP TAPE INSTALLATION, LDT2
1001-0946-CAB	CAB - ACCELERATOR PEDAL	ACCELERATOR PEDAL, CUMMINS, SINGLE DRIVE
2100-3347-CAB	CAB - BASE ELECTRICAL	ELECTRICAL, BASE, 500K BUAD, AUTOCRAFT HEADLIGHT
9999-CUSTOM-82619	CAB - MODIFICATION (LH DOOR)	NO OPTION - CAB MODIFICAION (LH DOOR)
9999-CUSTOM-82620	CAB - MODIFICATION (RH DOOR)	NO OPTION - CAB MODIFICAION (RH DOOR)
2000-4561-CAB	CAB - GRAB HANDLES (LH)	LH GRAB HANDLE BLACK OUTSIDE, STANDARD DOORS
2000-4862-CAB	CAB - GRAB HANDLES (RH)	RH GRAB HANDLE BLACK OUTSIDE, STANDARD DOORS
9999-CUSTOM-82812	CAB, ELEC - DOOR WINDOWS - SWITCH COUNT	LH DRIVE, LH E/R, RH E/R
2100-3351-CAB	CAB, ELECTRICAL - DOOR WINDOWS	CAB, ELECTRICAL, POWER WINDOWS, 3 SWITCHES
9999-CUSTOM-139409	FUEL ACCESSORIES, CAB	NO OPTION - FUEL ACCESSORIES, CAB
9999-CUSTOM-82500	CAB - AIR HORN	NO OPTION - AIR HORN, CAB
9999-CUSTOM-83006	CAB - WHEEL DIFF LOCK CONTROLS	NO OPTION - AXLE DIFF LOCK CONTROLS, CAB
9999-CUSTOM-82838	CAB, ELEC - TRANS RETARDER	NO OPTION - TRANSMISSION RETARDER, CAB
9999-CUSTOM-		

COPY OF NC SHERIFFS' ASSOCIATION LDT BUILD SHEET PROPOSAL

CAB		DESCRIPTION
82623	CAB - ABS SYSTEM	NO OPTION - ABS ATC OPTION
1908-0088-CAB	CAB AIR PIPING, REAR AXLE	CAB AIR PIPING, TANDEM REAR AXLE, 4S/4M
2000-4808-CAB	DECALS - CAB INTERIOR	DECALS, INTERIOR, SINGLE DRIVE, DIESEL
9999-CUSTOM-83100	DECALS - CALIFORNIA PROPOSTION 65	NO OPTION - EPA / NON-CARB
1810-0043-CAB	CAB - MISC COMPONENTS	CAB MODIF - LET2 COMPONENTS, LH/RH STEEL PANELS
9999-CUSTOM-83327	PUSHER/TAG CAB CONTROLS	NO OPTION - PUSHER/TAG AXLE CAB CONTROLS
9999-CUSTOM-142070	AIR SUSPENSION OVERRIDE	NO OPTION - AIR SUSP DUMP VALVE, CAB

OPTIONS, CAB		DESCRIPTION
1803-0087-CAB	CAB - DOOR (LH)	STANDARD DOOR, LH, ELECTRIC ROLL UP
1804-0086-CAB	CAB - DOOR (RH)	STANDARD DOOR, RH, ELECTRIC ROLL UP
9999-CUSTOM-82515	CAB - DOOR SAFETY BELT	NO OPTION - DOOR SAFETY STRAP
9999-CUSTOM-82532	CAB - FLOOR GRATING (LH)	NO OPTION - LH FLOOR GRATE
9999-CUSTOM-82533	CAB - FLOOR GRATING (RH)	NO OPTION - RH FLOOR GRATE
1806-1264-CAB	CAB - MIRROR (LH)	WEST COAST MIRROR, LH STANDARD DOOR, 16 X 7 NON-HEATED
1808-0055-CAB	CAB - MIRROR (RH)	WEST COAST MIRROR, RH STANDARD DOOR, 16 X 7 NON-HEATED
9999-CUSTOM-82675	CAB - MIRROR, SPOT	NO OPTION - SPOT MIRRORS
9999-CUSTOM-82673	CAB - MIRROR, LH LOOK DOWN	NO OPTION - LH LOOK DOWN MIRROR
9999-CUSTOM-82674	CAB - MIRROR, RH LOOK DOWN	NO OPTION - RH LOOK DOWN MIRROR
1401-0331-CAB	STEERING COLUMN CAB (LH)	STRG COLUMN ASSY - LDT2, LHD,TILT, W/CRUISE, 18" WHEEL
9999-CUSTOM-		

COPY OF NC SHERIFFS' ASSOCIATION LDT BUILD SHEET PROPOSAL

OPTIONS, CAB		DESCRIPTION
139404	STEERING COLUMN CAB (RH)	NO OPTION - RH STEERING, CAB
9999-CUSTOM-139492	STEERING COLUMN COVER, (RH)	NO OPTION - RH STEERING COLUMN COVER
9999-CUSTOM-82609	RADIO OPTION - AM/FM/BLUETOOTH/HANDS FREE	RADIO - MOUNTED ON LH SIDE CAB, AM/FM/MP3/USB/BLUETOOTH/HANDS FREE
2003-0613-CAB	HVAC - CAB	HVAC, HEATER ONLY, AURORA NON-BLENDING
9999-CUSTOM-82672	CAB - DEFROST FANS	NO OPTION - CAB FANS
9999-CUSTOM-82530	CAB - ROOFTOP A/C OPTION	NO OPTION - ROOFTOP A/C
2100-3404-CAB	CAB, ELECTRICAL - IGNITION	CAB, IGNITION (2) KEYS D250, STD/BI-FOLD DOOR C250
2202-0046-CAB	CAB - DASH/INSTRUMENTATION	ANALOG GAUGES, LH DRIVE, DIESEL, MPH, LDT2
9999-CUSTOM-142590	CAB - CAMERA	NO OPTION - CAMERA
9999-CUSTOM-140511	CAB, ADAS	NO OPTION - ADAS
9999-CUSTOM-82622	CAB - GAUGES - ENGINE OIL TEMPERATURE	NO OPTION - ENGINE OIL TEMP GAUGE - CAB
9999-CUSTOM-82625	CAB - GAUGES - TRANSMISSION TEMP	NO OPTION - TRANSMISSION TEMP GAUGE
9999-CUSTOM-82626	CAB - GAUGES - MISC OPTIONS	NO OPTION - MISC GAUGES
9999-CUSTOM-83007	CAB - ENGINE BRAKE	NO OPTION - ENGINE BRAKE CONTROLS, CAB
9999-CUSTOM-83060	CAB - INTERAXLE BUZZER/ALARM	NO OPTION - INTERAXLE BUZZER, CAB
9999-CUSTOM-82517	CAB - FLASHER OPTIONS	NO OPTION - FLASHERS
9999-CUSTOM-82518	CAB - LIGHTING OPTIONS	NO OPTION - CAB LIGHTING
9999-CUSTOM-		

COPY OF NC SHERIFFS' ASSOCIATION LDT BUILD SHEET PROPOSAL

OPTIONS, CAB		DESCRIPTION
82522	CAB - 12V POWER OPTIONS	NO OPTION - 12V POWER OPTIONS
1907-0459-CAB	CAB - AIR PIPING	CAB AIR PIPING, LHD ONLY, RH SIT-DOWN, RH FOOTREST, LDT2/LDT2CC
9999-CUSTOM-82506	CAB - RAINGEAR STORAGE	NO OPTION - RAINGEAR STORAGE
9999-CUSTOM-83004	CAB - WINDSHIELD GUARD	NO OPTION - CAB WINDSHIELD GUARD
9999-CUSTOM-82498	CAB - FIRE EXTINGUISHER	NO OPTION - FIRE EXTINGUISHER
9999-CUSTOM-82508	CAB - FIRST AID KIT	NO OPTION - FIRST AID KIT
9999-CUSTOM-82507	CAB - TRIANGLE KIT	NO OPTION - TRIANGLE KIT
1810-0061-CAB	CAB GRILLE	BATTLE GRILLE, SMOOTH FLAT BLACK

OPTIONS, CAB SEATS		DESCRIPTION
9999-CUSTOM-82616	CAB - SEAT MATERIAL	SEAT - ASPHALT CLOTH
2001-0508-CAB	CAB - SEATS (LH)	SEAT 2-WAY ADJUSTABLE, SEARS C2, ASPHALT CLOTH, LH, LDT2
2011-0284-CAB	CAB - SEATS (RH)	SEAT 2-WAY ADJUSTABLE, SEARS C2, ASPHALT CLOTH, RH, LDT2
9999-CUSTOM-82612	CAB - SEAT (CENTER BENCH)	NO OPTION - CENTER BENCH SEAT, LDT2
2000-4780-CAB	CAB - SEAT BELTS (LH)	SEAT BELT, BLACK, LH SIDE, FIXED SEAT, LDT2
2000-4859-CAB	CAB - SEAT BELTS (RH)	SEAT BELT, BLACK, RH SIDE, FIXED SEAT, LDT2
9999-CUSTOM-82808	CAB - SEAT (LH), RH ARMREST	NO OPTION - RH ARMREST, LH SEAT
9999-CUSTOM-82809	CAB - SEAT (RH), LH ARMREST	NO OPTION - LH ARMREST, RH SEAT
9999-CUSTOM-82807	CAB - SEAT ADJUSTABLE SHOCK (LH)	NO OPTION - LH ADJUSTABLE SEAT SHOCK
9999-CUSTOM-82810	CAB - SEAT ADJUSTABLE SHOCK (RH)	NO OPTION - RH ADJUSTABLE SEAT SHOCK

PAINT		DESCRIPTION
356-0322	PAINT, CAB	PAINT, CAB, STANDARD WHITE, G2-3460715-A
9999-CUSTOM-140265	PAINT, CAB VISOR	NO OPTION - CAB VISOR SAME COLOR AS CAB

COPY OF NC SHERIFFS' ASSOCIATION LDT BUILD SHEET PROPOSAL

PAINT		DESCRIPTION
9999-CUSTOM-83308	PAINT, CAB STRIPES	NO OPTION - CAB STRIPES
9999-CUSTOM-83309	PAINT, CLEAR COAT	NO OPTION - CAB CLEAR COAT
356-0323	PAINT, CHASSIS	PAINT, CHASSIS, STANDARD BLACK, G2-2B1738
356-0329	PAINT, BUMPER	PAINT, BUMPER - STANDARD BLACK, G2-2B1738

WARRANTY		DESCRIPTION
306A-0001	WARRANTY, CHASSIS	WARRANTY, CHASSIS, STANDARD, 1 YEAR, COVERAGE
306A-0041	WARRANTY, ENGINE	WARRANTY, CUMMINS STANDARD, 2 YEAR
9999-CUSTOM-83306	WARRANTY, ENGINE MAJOR COMPONENTS	NO OPTION-WARRANTY, MAJOR COMPONENTS
9999-CUSTOM-83307	WARRANTY, AFTERTREATMENT	WARRANTY, CUMMINS STANDARD, 2 YEAR
306A-0013	WARRANTY, TRANSMISSION	WARRANTY, ALLISION, 3 YR EDGE II PARTNER STANDARD
306A-0022	WARRANTY, DRIVE AXLE	WARRANTY, DANA, STANDARD 2 YEAR

CUSTOM OPTIONS		DESCRIPTION
9999-CUSTOM-83331	CUSTOM OPTIONS	NO OPTION - CUSTOM OPTIONS
9999-CUSTOM-140517	FRAME (QUOTE ONLY)	LDT2 DOUBLE SILL FRAME (TO BE DESIGNED BY ENGINEERING)
9999-CUSTOM-140539	PROP SHAFT (QUOTE ONLY)	NO OPTION - PROP SHAFT AVAILABLE IN UPPER SELECTION
9999-CUSTOM-141986	AIR PIPING, AIR DRYER (QUOTE ONLY)	NO OPTON (AVAILABLE IN UPPER SELECTION)

**COPY OF NC SHERIFFS' ASSOCIATION LDT BUILD SHEET
PROPOSAL**

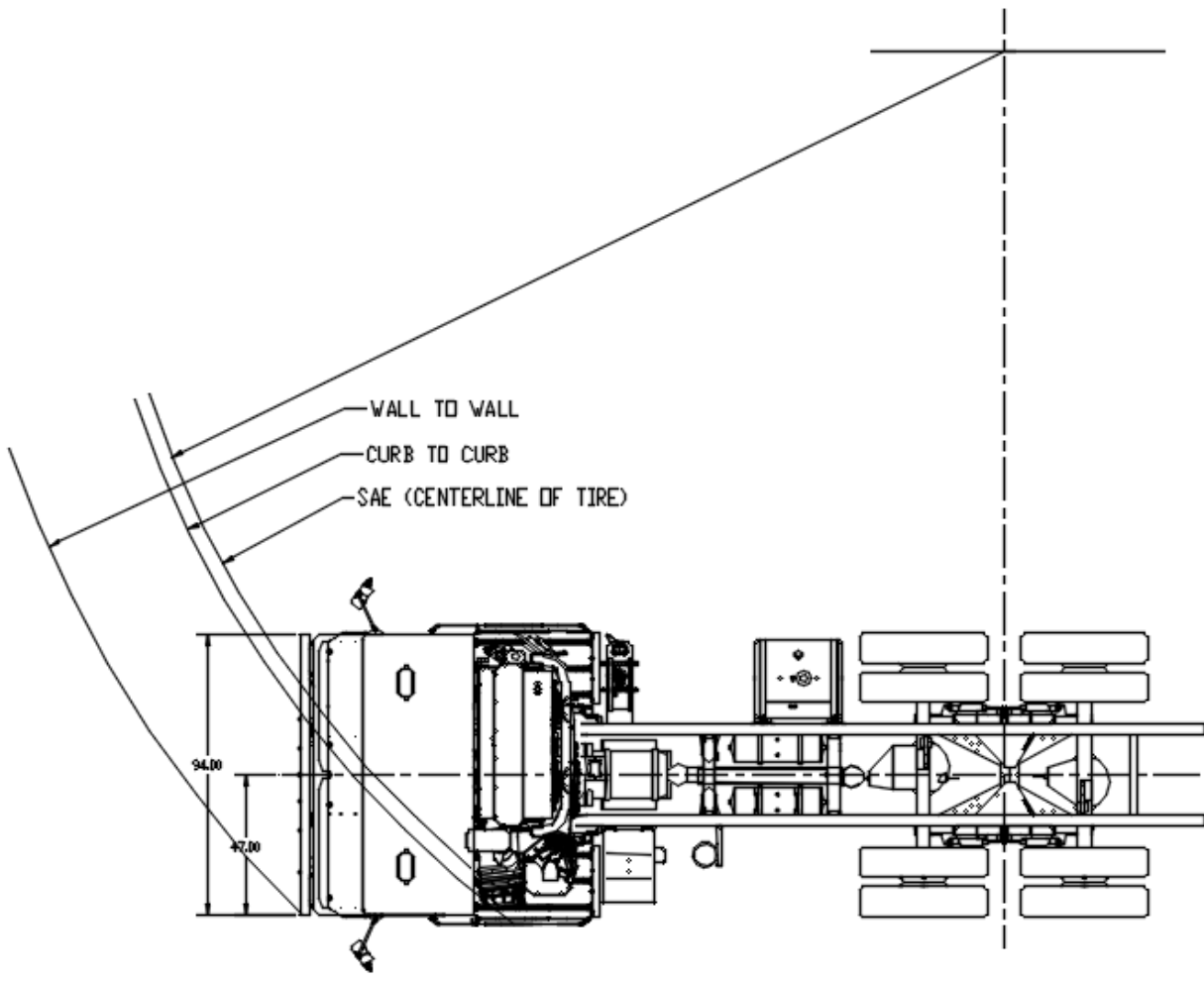
VEHICLE SPECIFICATION SUMMARY	UNIT	DESCRIPTION
MODEL		SALES LDT2
ENGINE		CUMMINS 2022 L9, 270 HP, A/C, 3000 SERIES TRANSMISSION, W/O ENGINE BRAKE, LDT2
PEAK POWER	HP	270
PEAK TORQUE	NM	860 @ 1200
TRANSMISSION		TRANSMISSION ALLISON 3500RDS, TC-418, NON-RETARDER

COPY OF NC SHERIFFS' ASSOCIATION LDT BUILD SHEET PROPOSAL

AXLE POSITION	AXLE MODEL	AXLE/SUSP RATING (LBS)	SINGLE OR DUAL	WHEEL SIZE AND RATING (SIZE / LOAD @ PRESSURE)	TIRE SIZE AND RATING** (SIZE / LOAD @ PRESSURE / SPEED)	GAWR (LOAD @ PRESSURE / SPEED)
FRONT	D2000F	20,000	S	22.5 X 9.00 / 10,000 @ 130	315/80R22.5L/20 / 10,000 @ 130 / 68	20,000 @ 130 / 68
1ST INTERMEDIATE	DSH44P	22,000	D	22.5 X 8.25 / 8,000 @ 120	11R22.5H/16 / 6,005 @ 120 / 75	22,000 @ 120 / 75
2ND INTERMEDIATE						
3RD INTERMEDIATE						
LAST	RSH44	22,000	D	22.5 X 8.25 / 8,000 @ 120	11R22.5H/16 / 6,005 @ 120 / 75	22,000 @ 120 / 75
DRIVETRAIN GVWR (LBS)						64,000
ENGINE APPLICATION GVWR (LBS)						66,000
TRANSMISSION APPLICATION GVWR (LBS)						60,000
TRUCK GVWR (LBS)						60,000

COPY OF NC SHERIFFS' ASSOCIATION LDT BUILD SHEET PROPOSAL

COMPONENT	LOCATION
AIR DRYER	LH STA. 35 / FRONT, INSIDE BATTERY BOX MTG
BATTERY CABLES	LH STA. 32/44
DEF TANK	RH STA. 32/38
DIESEL FUEL TANK	LH STA. 158.50/176.50



ESTIMATED VEHICLE WEIGHT DISTRIBUTION (LBS) - FULLY WET WITH 200# DRIVER (+/- 5%)

FRONT AXLE GROUND LOAD (LBS)	11,481.65
REAR AXLE GROUND LOAD (LBS)	6,261.35
TOTAL VEHICLE WEIGHT (LBS)	17,743.00

ESTIMATED VEHICLE TURNABILITY - TURN RADIUS (FEET) (+/- 5%)

SAE - TIRE CENTERLINE TO TIRE CENTERLINE (FT)	41.91
---	-------



COPY OF NC SHERIFFS' ASSOCIATION LDT BUILD SHEET PROPOSAL

ESTIMATED VEHICLE TURNABILITY - TURN RADIUS (FEET) (+/- 5%)

WALL-TO-WALL (FT)

44.94

**COPY OF NC SHERIFFS' ASSOCIATION LDT BUILD SHEET
PROPOSAL**

LOCATION	SELECTION
BATTERY BOX	PC BLACK
BUMPER	STANDARD BLACK
CAB	STANDARD WHITE
CAB CLEAR COAT	N/A
CAB STRIPES	N/A
CAB WINDSHIELD GUARD	N/A
CHASSIS	STANDARD BLACK
FRONT WHEELS	PC WHITE
FUEL TANK	PC BLACK
REAR WHEELS	PC WHITE

COPY OF NC SHERIFFS' ASSOCIATION LDT BUILD SHEET PROPOSAL

FOB; New Philadelphia, OH