

BRUSH HAWG®

C-MODEL (MULTI-LEVER)



**Shown with optional equipment*

STANDARD FEATURES

- Heavy Duty 30" Diameter Slewing Ring Bearing
- 2-Stage Planetary Gear Box and Disc-Valve Motor
- 20'-8" Overall Reach
- Boom Designed to Enhance Below Grade Reach
- Dual Stand-Up Operator Stations w/ Multi-Lever Controls
- 4-Way Adjustable Stabilizers w/ Dual Holding Valves on Vertical Cylinders
- 48" x 60" Bucket
- 15 Ton Scissor Hoist
- 5 Micron Synthetic Drop-In Return Filter
- 18' Dump Body w/ 24" Walk-Through



**Multi-Lever
Controls**



**Bolt-On Bucket Cylinder
Covers & Reversible
Bolt-On Bucket Edges**



**Tip Boom
Hose Retract Box**



BRUSH HAWG®

P.O. Box 1527 ♦ Easley, South Carolina 29641

2266 Powdersville Road ♦ Easley, South Carolina 29642

1-800-654-1752 ♦ Fax: (864) 306-3775

Email: sales@brushhawg.com ♦ Website: www.brushhawg.com

All designs and specifications are subject to change at the manufacturer's sole discretion at any time without notice. The data published here is informational in nature and should not be misconstrued to warrant suitability of the unit for any purpose as performance may vary with the conditions encountered. Products must be installed and operated with all applicable standards, codes, regulations, and recommended safety procedures.

Prepared For:
Joe Johnson Equipment LLC
Patrick McGee
4519 Old Charlotte Hwy
Monroe, NC 28110-7336
(704)289 - 6488
Reference ID: knuckle

Presented By:
CAROLINA INTERNATIONAL TRUCKS, INC
Steve Wisner
1619 BLUFF RD
COLUMBIA SC 29201 -
(803)799-4923

Thank you for the opportunity to provide you with the following quotation on a new International truck. I am sure the following detailed specification will meet your operational requirements, and I look forward to serving your business needs.

Model Profile
2024 MV607 SBA (MV607)

AXLE CONFIG:	4X2
APPLICATION:	Flat Dump
MISSION:	Requested GVWR: 35000. Calc. GVWR: 37000. Calc. GCWR: 80000 Calc. Start / Grade Ability: 30.84% / 2.73% @ 55 MPH Calc. Geared Speed: 72.4 MPH
DIMENSION:	Wheelbase: 205.00, CA: 137.90, Axle to Frame: 75.00
ENGINE, DIESEL:	{Cummins L9 270} EPA 2021, 270HP @ 2200 RPM, 860 lb-ft Torque @ 1200 RPM, 2200 RPM Governed Speed, 270 Peak HP (Max)
TRANSMISSION, AUTOMATIC:	{Allison 3000 RDS} 6th Generation Controls, Close Ratio, 6-Speed with Double Overdrive, with PTO Provision, Less Retarder, Includes Oil Level Sensor, with 80,000-lb GVW and GCW Max, On/Off Highway
CLUTCH:	Omit Item (Clutch & Control)
AXLE, FRONT NON-DRIVING:	{Meritor MFS-14-122A} I-Beam Type, 14,000-lb Capacity
AXLE, REAR, SINGLE:	{Meritor RS-23-161} Single Reduction, 23,000-lb Capacity, Driver Controlled Locking Differential, 200 Wheel Ends Gear Ratio: 5.63
CAB:	Conventional, Day Cab
TIRE, FRONT:	(2) 12R22.5 Load Range H HSR 3 (CONTINENTAL), 484 rev/mile, 75 MPH, All-Position
TIRE, REAR:	(4) 11R22.5 Load Range G HSR2 (CONTINENTAL), 498 rev/mile, 75 MPH, All-Position
SUSPENSION, REAR, AIR, SINGLE:	{Hendrickson HAS 230} 23,000-lb Capacity, 9.5" Ride Height, with Shock Absorbers
PAINT:	Cab schematic 100WP Location 1: 9219, Winter White (Std) Chassis schematic N/A

<u>Code</u>	<u>Description</u>
MV60700	Base Chassis, Model MV607 SBA with 205.00 Wheelbase, 137.90 CA, and 75.00 Axle to Frame.
1570	TOW HOOK, FRONT (2) Frame Mounted
1ANA	AXLE CONFIGURATION {Navistar} 4x2
	<u>Notes</u> : Pricing may change if axle configuration is changed.
1CAG	FRAME RAILS Heat Treated Alloy Steel (120,000 PSI Yield); 10.250" x 3.610" x 0.375" (260.4mm x 91.7mm x 9.5mm); 456.0" (11582mm) Maximum OAL
1LEG	LICENSE PLATE HOLDER Includes Upper & Lower Mounting Plate Hardware, Mounted in Existing Holes in Front Bumper
1LNN	BUMPER, FRONT Contoured, Steel, Chrome Plated
1WEJ	WHEELBASE RANGE 199" (505cm) Through and Including 254" (645cm)
2AST	AXLE, FRONT NON-DRIVING {Meritor MFS-14-122A} I-Beam Type, 14,000-lb Capacity
3ADD	SUSPENSION, FRONT, SPRING Parabolic Taper Leaf, Shackle Type, 14,000-lb Capacity, with Shock Absorbers
	<u>Includes</u> : SPRING PINS Rubber Bushings, Maintenance-Free
4091	BRAKE SYSTEM, AIR Dual System for Straight Truck Applications
	<u>Includes</u> : BRAKE LINES Color and Size Coded Nylon : DRAIN VALVE Twist-Type : GAUGE, AIR PRESSURE (2) Air 1 and Air 2 Gauges; Located in Instrument Cluster : PARKING BRAKE CONTROL Yellow Knob, Located on Instrument Panel : PARKING BRAKE VALVE For Truck : QUICK RELEASE VALVE On Rear Axle for Spring Brake Release: 1 for 4x2, 2 for 6x4 : SPRING BRAKE MODULATOR VALVE R-7 for 4x2, SR-7 with relay valve for 6x4/8x6
4AZA	AIR BRAKE ABS {Bendix AntiLock Brake System} 4-Channel (4 Sensor/4 Modulator) Full Vehicle Wheel Control System
4EDN	AIR DRYER {Bendix AD-9SI} with Heater, Includes Safety Valve
4EXP	BRAKE CHAMBERS, FRONT AXLE {Bendix} 20 SqiN
4EXU	BRAKE CHAMBERS, REAR AXLE {Bendix EverSure} 30/30 SqiN Spring Brake
4GBM	BRAKE, PARKING Manual Push-Pull Pneumatic Parking Brake
4LAG	SLACK ADJUSTERS, FRONT {Gunite} Automatic
4LGG	SLACK ADJUSTERS, REAR {Gunite} Automatic
4SPA	AIR COMPRESSOR {Cummins} 18.7 CFM
4VLE	AIR DRYER LOCATION Mounted Inside Engine Compartment, Right Side
4XDP	BRAKES, FRONT {Meritor 16.5X5 Q-PLUS CAST} Air S-Cam Type, Cast Spider, Fabricated Shoe, Double Anchor Pin, Size 16.5" X 5", 14,700-lb Capacity
4XDR	BRAKES, REAR {Meritor 16.5X7 Q-PLUS CAST} Air S-Cam Type, Cast Spider, Fabricated Shoe, Double Anchor Pin, Size 16.5" X 7", 23,000-lb Capacity per Axle
4XEZ	AIR TANK LOCATION (2) Mounted Between the Rails, Back of Cab, One on Each Side, Parallel to Rails
5708	STEERING COLUMN Tilting

<u>Code</u>	<u>Description</u>
5CAW	STEERING WHEEL 4-Spoke, 18" Dia., Black
5PSA	STEERING GEAR {Sheppard M100} Power
6DGG	DRIVELINE SYSTEM {Dana Spicer} 1710, for 4x2/6x2
7BEU	AFTERTREATMENT COVER Aluminum
7BLW	EXHAUST SYSTEM Horizontal Aftertreatment System, Frame Mounted Right Side Under Cab, for Single Vertical Tail Pipe, Frame Mounted Right Side Back of Cab
7SCP	ENGINE EXHAUST BRAKE for Cummins ISB/B6.7/ISL/L9 Engine with Variable Vane Turbo Charger
7WAZ	TAIL PIPE (1) Turnback Type
7WDM	EXHAUST HEIGHT 10'
7WDN	MUFFLER/TAIL PIPE GUARD (1) Aluminum
8000	ELECTRICAL SYSTEM 12-Volt, Standard Equipment
	<u>Includes</u>
	: DATA LINK CONNECTOR For Vehicle Programming and Diagnostics In Cab
	: HAZARD SWITCH Push On/Push Off, Located on Instrument Panel to Right of Steering Wheel
	: HEADLIGHT DIMMER SWITCH Integral with Turn Signal Lever
	: PARKING LIGHT Integral with Front Turn Signal and Rear Tail Light
	: STARTER SWITCH Electric, Key Operated
	: STOP, TURN, TAIL & B/U LIGHTS Dual, Rear, Combination with Reflector
	: TURN SIGNAL SWITCH Self-Cancelling for Trucks, Manual Cancelling for Tractors, with Lane Change Feature
	: TURN SIGNALS, FRONT Includes Reflectors and Auxiliary Side Turn Signals, Solid State Flashers; Flush Mounted
	: WINDSHIELD WIPER SWITCH 2-Speed with Wash and Intermittent Feature (5 Pre-Set Delays), Integral with Turn Signal Lever
	: WINDSHIELD WIPERS Single Motor, Electric, Cowl Mounted
	: WIRING, CHASSIS Color Coded and Continuously Numbered
8518	CIGAR LIGHTER Includes Ash Cup
8718	POWER SOURCE Cigar Type Receptacle without Plug and Cord
8GXD	ALTERNATOR {Leece-Neville AVI160P2013} Brush Type, 12 Volt, 160 Amp Capacity, Pad Mount, with Remote Sense
8HAB	BODY BUILDER WIRING Back of Day Cab at Left Frame or Under Sleeper, Extended or Crew Cab at Left Frame; Includes Sealed Connectors for Tail/Amber Turn/Marker/ Backup/Accessory Power/Ground and Sealed Connector for Stop/Turn
8MJT	BATTERY SYSTEM {Fleetrite} Maintenance-Free, (2) 12-Volt 1900CCA Total, Top Threaded Stud
8RMZ	SPEAKERS (2) 6.5" Dual Cone Mounted in Both Doors, (2) 5.25" Dual Cone Mounted in Both B-Pillars
8RPP	ANTENNA Shark Fin, Roof Mounted
8RPT	RADIO AM/FM/WB/Clock/USB Input/Auxiliary Input
8TPR	STOP, TURN, TAIL & B/U LIGHTS {Weldon} Multi-Function LED Lamp, Mounted Outside Rails, Includes LED License Plate Light
8VBE	HORN, ELECTRIC (1) Trumpet Style
8VZK	TURN SIGNALS, FRONT Dual Face, LED, Amber/Red, Mounted on Top of Fender, Used with Standard Flush Mounted Front Turn Signal, Side Marker Lamps, Parking Lights and Reflectors
8WPH	CLEARANCE/MARKER LIGHTS (5) {Truck Lite} Amber LED Lights, Flush Mounted on Cab or Sunshade

<u>Code</u>	<u>Description</u>
8WTK	STARTING MOTOR {Delco Remy 38MT Type 300} 12 Volt, Less Thermal Over-Crank Protection
8WWJ	INDICATOR, LOW COOLANT LEVEL with Audible Alarm
8XAH	CIRCUIT BREAKERS Manual-Reset (Main Panel) SAE Type III with Trip Indicators, Replaces All Fuses
8XDU	BATTERY BOX Steel, with Aluminum Cover, 14" Wide, 2-3 Battery Capacity, Mounted Left Side Under Cab
8XHN	HORN, AIR Single Trumpet, Black, with Lanyard Pull Cord
8XKY	USB PORT (1) Located in the Instrument Panel
8XNY	HEADLIGHTS Halogen
9AAB	LOGOS EXTERIOR Model Badges
9AAE	LOGOS EXTERIOR, ENGINE Badges
9HCY	GRILLE Molded in Black, with Chrome Surround
9WBN	FENDER EXTENSIONS Painted
9WBW	FRONT END Tilting, Fiberglass, with Three Piece Construction, Dual Air Intakes
10060	PAINT SCHEMATIC, PT-1 Single Color, Design 100
	<u>Includes</u> : PAINT SCHEMATIC ID LETTERS "WP"
10761	PAINT TYPE Base Coat/Clear Coat, 1-2 Tone
10AGB	COMMUNICATIONS MODULE Telematics Device with Over the Air Programming; Includes Five Year Data Plan and International 360
10WCY	SAFETY TRIANGLES
10WUE	MUD FLAPS, FRONT WHEELS (2) Rubber, Mounted on Fender Extension
10XAN	FIRE EXTINGUISHER 5 lb Class A B C
10XAP	FIRE EXTINGUISHER BRACKET Mounted Left Side Driver Seat
11001	CLUTCH Omit Item (Clutch & Control)
12703	ANTI-FREEZE Red, Extended Life Coolant; To -40 Degrees F/ -40 Degrees C, Freeze Protection
12849	BLOCK HEATER, ENGINE 120V/1000W, for Cummins ISB/B6.7/ISL/L9 Engines
	<u>Includes</u> : BLOCK HEATER SOCKET Receptacle Type; Mounted below Drivers Door
12ESK	ENGINE, DIESEL {Cummins L9 270} EPA 2021, 270HP @ 2200 RPM, 860 lb-ft Torque @ 1200 RPM, 2200 RPM Governed Speed, 270 Peak HP (Max)
12TSY	FAN DRIVE {Borg-Warner SA85} Viscous Type, Screw On
	<u>Includes</u> : FAN Nylon
12VCE	AIR CLEANER Single Element, Fire Retardant Media
12VJC	EMISSION, CALENDAR YEAR {Cummins L9} EPA, OBD and GHG Certified for Calendar Year 2022
12VXV	THROTTLE, HAND CONTROL Engine Speed Control for PTO; Electronic, Mobile, Variable Speed, (Range 2 to 20 MPH) Mounted on Steering Wheel
12WZB	CARB IDLE COMPLIANCE Low NOx Idle Engine, Complies with California Clean Air Regulations; Includes "Certified Clean Idle" Decal on Hood

<u>Code</u>	<u>Description</u>
12WZY	CARB EMISSION WARR COMPLIANCE for Cummins L9 Engines
12XBM	ENGINE CONTROL, REMOTE MOUNTED Provision for; Includes Wiring for Body Builder Installation of PTO Controls and Starter Lockout, with Ignition Switch Control, for Cummins B6.7 and L9 Engines
12XCA	RADIATOR Aluminum, 3-Row, Down Flow, Front to Back System, 837 SqIn Louvered, with 477 SqIn Charge Air Cooler, Includes In-Tank Oil Cooler
13BCS	TRANSMISSION, AUTOMATIC {Allison 3000 RDS} 6th Generation Controls, Close Ratio, 6-Speed with Double Overdrive, with PTO Provision, Less Retarder, Includes Oil Level Sensor, with 80,000-lb GVW and GCW Max, On/Off Highway
13WET	TRANSMISSION SHIFT CONTROL Column Mounted Stalk Shifter, Not for Use with Allison 1000 & 2000 Series Transmission
13WLP	TRANSMISSION OIL Synthetic; 29 thru 42 Pints
13WUA	AUTOMATIC NEUTRAL Allison Transmission Shifts to Neutral When Parking Brake is Engaged and Remains in Neutral When Parking Brake is Disengaged
13WUS	ALLISON SPARE INPUT/OUTPUT for Rugged Duty Series (RDS) and Regional Haul Series (RHS), General Purpose Trucks, Package Number 223, Modified for Single Input Auto Neutral
13WVV	NEUTRAL AT STOP Allison Transmission Shifts to Neutral When Service Brake is Depressed and Vehicle is at Stop; Remains in Neutral Until Service Brake is Released
13WYU	SHIFT CONTROL PARAMETERS {Allison} 3000 or 4000 Series Transmissions, Performance Programming
13XAA	PTO CONTROL, DASH MOUNTED For Customer Provided PTO; Includes Switch, Electric/Air Solenoid, Piping and Wiring
13XAM	PTO LOCATION Dual, Customer Intends to Install PTO at Left and/or Right Side of Transmission
14899	SUSPENSION AIR CONTROL VALVE Pressure Release Control In Cab
14ARK	AXLE, REAR, SINGLE {Meritor RS-23-161} Single Reduction, 23,000-lb Capacity, Driver Controlled Locking Differential, 200 Wheel Ends . Gear Ratio: 5.63
14TAX	SUSPENSION, REAR, AIR, SINGLE {Hendrickson HAS 230} 23,000-lb Capacity, 9.5" Ride Height, with Shock Absorbers
15LMR	FUEL/WATER SEPARATOR {Racor 400 Series,} with Primer Pump, Includes Water-in-Fuel Sensor
15LRE	LOCATION FUEL/WATER SEPARATOR Mounted Under Hood, Left Side, Above Front Axle
15SXX	FUEL TANK Top Draw, Polished Aluminum, 24" Dia, 50 US Gal (189L), Mounted Left Side, Under Cab
15WCN	DEF TANK 5 US Gal (19L) Capacity, Frame Mounted Outside Left Rail, Under Cab
16030	CAB Conventional, Day Cab
	<u>Includes</u> : CLEARANCE/MARKER LIGHTS (5) Flush Mounted
16BAM	AIR CONDITIONER with Integral Heater and Defroster
16GED	GAUGE CLUSTER Base Level; English with English Electronic Speedometer
	<u>Includes</u> : GAUGE CLUSTER DISPLAY: Base Level (3" Monochromatic Display), Premium Level (5" LCD Color Display); Odometer, Voltmeter, Diagnostic Messages, Gear Indicator, Trip Odometer, Total Engine Hours, Trip Hours, MPG, Distance to Empty/Refill for : GAUGE CLUSTER Speedometer, Tachometer, Engine Coolant Temp, Fuel Gauge, DEF Gauge, Oil Pressure Gauge, Primary and Secondary Air Pressure or Auxiliary Air Pressure (if Air Equipped) : WARNING SYSTEM Low Fuel, Low DEF, Low Oil Pressure, High Engine Coolant Temp, Low Battery Voltage (Visual and Audible), Low Air Pressure, Primary and Secondary (if Air Equipped)

<u>Code</u>	<u>Description</u>
16GHU	GRAB HANDLE, CAB INTERIOR (2) Safety Yellow
16HGH	GAUGE, OIL TEMP, AUTO TRANS for Allison Transmission
16HHE	GAUGE, AIR CLEANER RESTRICTION (Filter-Minder) with Black Bezel, Mounted in Instrument Panel
16HKT	IP CLUSTER DISPLAY On Board Diagnostics Display of Fault Codes in Gauge Cluster
16JNT	SEAT, DRIVER (National 2000) Air Suspension, High Back with Integral Headrest, Vinyl, Isolator, 1 Chamber Lumbar, with 2 Position Front Cushion Adjust, -3 to +14 Degree Angle Back Adjust
16SMP	SEAT, TWO-MAN PASSENGER (National) Vinyl, Less Under Seat Storage Compartment
16SNL	MIRRORS (2) C-Loop, Black Heads and Arms, 7.5" x 14" Flat Glass, Includes 7.5" x 7" Convex Mirrors, for 102" Load Width
	<u>Notes</u>
	: Mirror Dimensions are Rounded to the Nearest 0.5"
16SNW	MIRROR, CONVEX, LOOK DOWN Right Side, Black, 6" x 10.5"
16VKB	CAB INTERIOR TRIM Classic, for Day Cab
	<u>Includes</u>
	: CONSOLE, OVERHEAD Molded Plastic with Dual Storage Pockets, Retainer Nets and CB Radio Pocket; Located Above Driver and Passenger
	: DOME LIGHT, CAB Door Activated and Push On-Off at Light Lens, Timed Theater Dimming, Integral to Overhead Console, Center Mounted
	: SUN VISOR (2) Padded Vinyl; 2 Moveable (Front-to-Side) Primary Visors, Driver Side with Toll Ticket Strap
16VLK	CAB REAR SUSPENSION Air Suspension, for Mid Cab Height
16WBY	ARM REST, RIGHT, DRIVER SEAT
16WHJ	HOSE CLAMPS, HEATER HOSE (Breeze) Belleville Washer Type
16WJU	WINDOW, POWER (2) and Power Door Locks, Left and Right Doors, Includes Express Down Feature
16WLS	FRESH AIR FILTER Attached to Air Intake Cover on Cowl Tray in Front of Windshield Under Hood
16WSE	LOW WASHER FLUID INDICATOR
16XJN	INSTRUMENT PANEL Flat Panel
16XWD	SUNSHADE, EXTERIOR Aerodynamic, Painted Roof Color, with Integral Clearance/Marker Lights
16ZBT	ACCESS, CAB Steel, Driver & Passenger Sides, Two Steps per Door, for use with Day Cab and Extended Cab
27DWE	WHEELS, FRONT (Alcoa ULT39) DISC; 22.5x8.25 Rims, Mirror Polish Aluminum, 10-Stud, 285.75mm BC, Hub-Piloted, Flanged Nut, with Aluminum Hubs
28DTJ	WHEELS, REAR (Maxion 90541) DUAL DISC; 22.5x8.25 Rims, Painted Steel, 2-Hand Hole, 10-Stud, 285.75mm BC, Hub-Piloted, Flanged Nut, with Steel Hubs
29PAS	PAINT IDENTITY, REAR WHEELS Disc Rear Wheels; with Vendor Applied White Powder Coat Paint
29WLK	WHEEL BEARING, FRONT, LUBE (EmGard FE-75W-90) Synthetic Oil
7372135415	(4) TIRE, REAR 11R22.5 Load Range G HSR2 (CONTINENTAL), 498 rev/mile, 75 MPH, All-Position
7382155439	(2) TIRE, FRONT 12R22.5 Load Range H HSR 3 (CONTINENTAL), 484 rev/mile, 75 MPH, All-Position

Services Section:

40129 WARRANTY Standard for MV Series, Effective with Vehicles Built July 1, 2017 or Later, CTS-2020A

INTERNATIONAL^b

Vehicle Specifications
2024 MV607 SBA (MV607)

October 07, 2022

<u>Code</u>	<u>Description</u>
40RBG	SERVICES, TOWING (Navistar) Service Call to 24-Month/Unlimited Mileage to the Nearest Navistar Dealer for Navistar Warrantable Failure as Contract Defined; Includes Engine Failure if Supplier Declines Tow Coverage & ESC Supplied thru Navistar; \$550 (USA) Maximum Benefit per Incident

Body/Allied Equipment

<u>Code</u>	<u>Description</u>
-------------	--------------------

Goods Purchased

<u>Code</u>	<u>Description</u>
-------------	--------------------

INTERNATIONAL®

Financial Summary
2024 MV607 SBA (MV607)

October 07, 2022

<u>Description</u>	(US DOLLAR)	<u>Price</u>
Net Sales Price:		\$104,643.93

Please feel free to contact me regarding these specifications should your interests or needs change. I am confident you will be pleased with the quality and service of an International vehicle.

Approved by Seller:

Accepted by Purchaser:

Official Title and Date

Firm or Business Name

Authorized Signature

Authorized Signature and Date

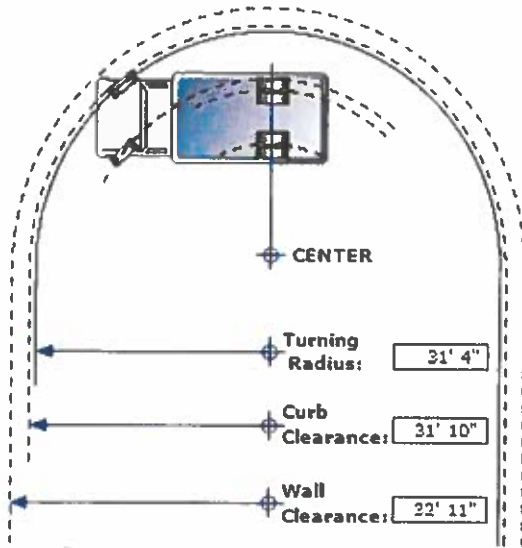
This proposal is not binding upon the seller without Seller's Authorized Signature

Official Title and Date

The TOPS FET calculation is an estimate for reference purposes only. The seller or retailer is responsible for calculating and reporting/paying appropriate FET to the IRS.

The limited warranties applicable to the vehicles described herein are Navistar, Inc.'s standard printed warranties which are incorporated herein by reference and to which you have been provided a copy and hereby agree to their terms and conditions.

There is no weight study for this proposal.



Series: MV
 Model: MV607
 Description: MV607 SBA
 Model Year: 2024

Calculation Factors

Wheelbase: 205
 Front Axle: 0002AST
 Description: AXLE, FRONT NON-DRIVING, {Meritor MFS-14-122A} I-Beam Type, 14,000-lb Capacity
 Front Wheel: 0027DWE
 Description: WHEELS, FRONT, {Alcoa ULT39} DISC; 22.5x8.25 Rims, Mirror Polish Aluminum, 10-Stud, 285.75mm BC, Hub-Piloted, Flanged Nut, with Aluminum Hubs
 Front Tire: 07382155439
 Description: TIRES, 12R22.5 Load Range H HSR 3 (CONTINENTAL), 484 rev/mile, 75 MPH, All-Position
 Steering Gear: 0005PSA
 Description: STEERING GEAR, {Sheppard M100} Power

Turning Radius Statistics

General Information

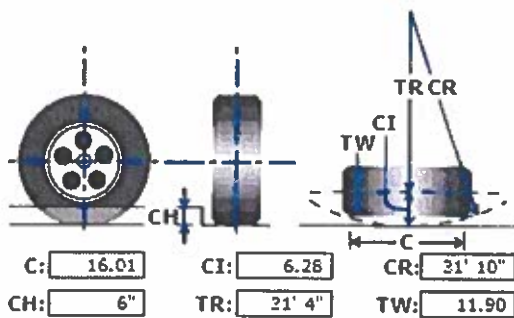
Inside Turn Angle: 43 Degrees
 Radial Overhang: 19

Axle Information

KingPin Inclination: 6.25 Degrees
 KingPin Center: 69

Turning Radius - Curb View

C - Curb Contact Length: 16.01
 CI - Curb Clearance Increment: 6.28
 CR - Curb Clearance Radius: 31'10"
 CH - Curb Height: 6"
 TR - Turning Radius: 31'4"
 TW - Tire Width: 11.90



* All Measurements are in inches, unless otherwise specified.

This information is based on engineering information available at this time. Actual figures may vary. Navistar, Inc. cannot accept liability for consequences due to this variance.