

# CRANE BODY OPTIONS & ACCESSORIES



## CRANE BODIES

### POPULAR BODY ACCESSORIES



**BOSS BA435 Air Compressor**  
35 Max CFM, 150 Max PSI, 10.0 Hydraulic GPM and 1850 max Hydraulic PSI (other models also available)



**Reservoir Tanks**  
25 GAL Bulkhead mount – includes 100 mesh suction screen, 10 micron return filter, return and supply pressure gauges, sight glass and breather cap



**Compressor Hose Reel**  
Reelcraft w/50' x 1/2" Hose, Includes roller hose guide for mounting in left rear body compartment



**Master Locking**  
Allows you to lock all compartments on one side of your service body with a single move



**19" or 24" Workbench Bumper** with vise plate, storage area and hinged doors



**Drawer Units**  
Durable, chip-resistant powder coat finish, 2-point latching system with 250 lb capacity with A60 Galvannealed steel construction (other colors available as an option)



**Interior Light Kit**  
Interior work lights with individual switches in standard light package. LED rope light kits also available on request



**Oxygen & Acetylene Bottle Holders**  
Standard 2 bottle holders with reinforced floor, door vents and adjustable chain strap



**Grip Strut Steps**  
For workbench bumper with 2 fold-away 20" steps



**Individual Drawer Units/Bolt Shelving**  
Shelving packages consisting of 7 adjustable shelves with small parts dividers with 250 lb capacity

### OPTIONAL EQUIPMENT

- Shelving packages
- Slide-out tool box tray
- Oxy/Acet bottle holders
- Interior compartment lighting
- Individual drawer units/bolt shelving
- Master locking
- Manual and hydraulic outrigger packages
- Workbench bumper with through compartment

**VENTURO PRODUCTS ARE BUILT TO LAST... WE GUARANTEE THEM!**

As a purchaser of a new Venturo crane body, you will receive **6 YEARS** of the most complete coverage available at no added cost. For a complete description of our limited warranty policy, please refer to [www.venturo.com/customer-service/warranty-policy.aspx](http://www.venturo.com/customer-service/warranty-policy.aspx)



**RUGGED. RELIABLE. REAL.**



12110 Best Place  
Cincinnati, OH 45241  
800-226-2238  
Fax 513-326-5427  
**VENTURO.COM**

### DISTRIBUTOR INFORMATION

Blank space for distributor information.

MADE WITH PRIDE

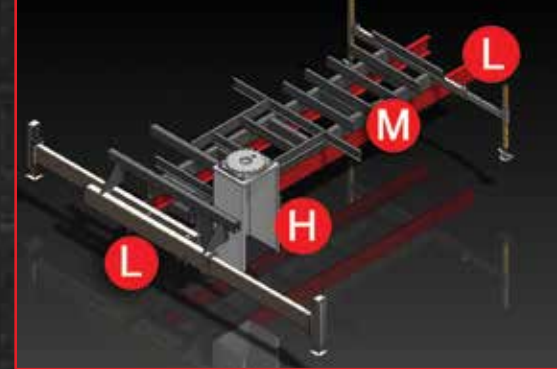
# CRANE BODIES

## DESIGNED AND MANUFACTURED FOR VENTURO CRANES

Venturo Crane Bodies are designed and manufactured for Venturo cranes – they provide the optimum foundation for the crane and for your work truck.

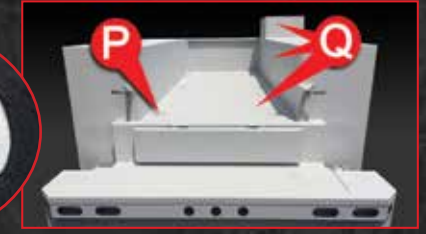
We manufacture **Rugged** and strong crane bodies. We build them **Reliable** and long-lasting, and we have **Real** expertise in serving as your number one industry resource.

- A** Jet Kote ASTM A-60 steel construction
- B** LED Stop/Turn/Tail/Backup, Marker and ID Lighting included with Wire Harness and Junction Box. All bodies are designed with pre-punched light mounting holes for ease of installation
- C** Optional workbench bumper with pass-through storage area and hinged doors with vice-plate
- D** Fold-down, rear tailgate sized to the full width of the bed opening with right-hand and left-hand zinc plated tailgate latches and hinges
- E** For more information about bed liners, contact your distributor
- F** Threepointkeyed-alikepremiumergonomic Eberhard compression door handles for increased ease of use
- G** Optional manual and hydraulic outrigger packages for total crane stability
- H** Unobstructed reinforced compartment for 25,000, 40,000, 50,000 and 66,000 ft/lb crane (Also shown on substructure drawing on opposite page)
- I** Dual weather stripping in protective door channels for added water protection
- J** Venturo Crane Bodies include mud flaps



- K** Gutter-styledriprailabovecompartmentdoorsforaddedwaterprotection
- L** Pre-installed front and rear outrigger cross-tubes with FULL STABILITY in all rotation zones (Shown in drawing to left)
- M** Substructure consists of a one-piece continuous longitudinal frame with integrated crane tower reinforcement up to 66,000 ft/lbs (Shown in drawing to left)
- N** Adjustable uni-strut shelf standards which allow greater flexibility for compartment loading

D-Rings - Cargo Tie Downs



- O** Rubber fenderettes come standard on crane bodies
- P** D-ring cargo tie downs installed in the cargo floor with a 5,000 lb maximum capacity (6–8 depending on body length)
- Q** 10-gaugediamond-platesteel cargo floor, sides and compartment tops provide extreme durability and secure auxiliary equipment mounting
- R** Bulkhead and wheel well panels constructed of 12-gauge Jet Kote ASTM A-60 steel sheet
- S** All stainless steel continuous hinges for unmatched security
- T** Stainless-steel spring-loaded door keepers hold doors open at 90 degrees and are self-closing
- U** Double-panellap-style 14-gaugeJet Kote ASTM A-60 steel doors
- V** Pre-punched bottle vents



**VENTURO HT40 CRANE BODY**

### HT25

BODYMODEL	CA	CHASSIS MIN GVWR	FT/LB RATING	LENGTH	COMPARTMENT HEIGHT
HT25-107-FLT	60"	10,500	30,000	9'	44"
HT25-107-TFC	60"	10,500	30,000	9'	44"
HT25-131-FLT	84"	10,500	30,000	11'	44"
HT25-131-TFC	84"	10,500	30,000	11'	44"
HT25-131-DTF	84"	10,500	30,000	11'	44"

TFC Models include one 62" tall curbside front compartments  
DTF Models include two 62" tall curbside and streetside front compartments

### HT40

BODYMODEL	CA	CHASSIS MIN GVWR	FT/LB RATING	LENGTH	COMPARTMENT HEIGHT
HT40-131-FLT	84"	14,500	45,600	11'	44"
HT40-131-TFC	84"	14,500	45,600	11'	44"
HT40-131-DTF	84"	14,500	45,600	11'	44"

TFC Models include one 62" tall curbside front compartments  
DTF Models include two 62" tall curbside and streetside front compartments

### HT50

BODYMODEL	CA	CHASSIS MIN GVWR	FT/LB RATING	LENGTH	COMPARTMENT HEIGHT
HT50-131-FLT	84"	20,500	55,000	11'	50"
HT50-131-TFC	84"	20,500	55,000	11'	50"
HT50-131-DTF	84"	20,500	55,000	11'	50"

TFC Models include one 62" tall curbside front compartments  
DTF Models include two 62" tall curbside and streetside front compartments

### HT66

BODYMODEL	CA	CHASSIS MIN GVWR	FT/LB RATING	LENGTH	COMPARTMENT HEIGHT
HT66-132-DTF-WBB	84"	30,000	66,000	11'	54"
HT66-163-DTF-WBB	120"	30,000	66,000	14'	54"

HT66-132 includes two 62" tall curbside and streetside front compartments  
HT66-163 includes six 62" tall curbside and streetside front compartments  
WBB (Work Bench Bumper) is standard on HT66