



TECHNICAL DATA

MASSES

Max. operating mass	11,300 lbs
Operating mass (incl. ROPS)	9,500 lbs
Module mass (front/rear)	4,600 lbs/4,900 lbs

COMPACTION (SINGLE AMPLITUDE)

Centrifugal force	9675/7875 lbs
Nominal amplitude	0.02 in
Static linear load (front/rear)	85/90 pli
Vibration frequency	3240/2940 vpm
Water tank	79 gal

COMPACTION (OPTIONAL DUAL AMPLITUDE)

Centrifugal force (high/low amplitude)	9675/4950 lb
Nominal amplitude (high/low)	0.02/0.008 in
Vibration frequency	3240/3660 vpm

PROPULSION

Speed range	0-5.6 mph
Vertical oscillation	±10°
Max. theoretical gradeability	37 %

ENGINE

Manufacturer/Model	Kubota V2203-M (IIIA)
Type	Water cooled diesel engine
Rated power, SAE J1995	35 kW (48 hp) @ 2700 rpm
Fuel tank capacity	16 gal

ENGINE

Manufacturer/Model	Kubota V2403-CR E4B (T4)
Type	Water cooled diesel engine
Rated power, SAE J1995	37 kW (50 hp) @ 2700 rpm

ENGINE

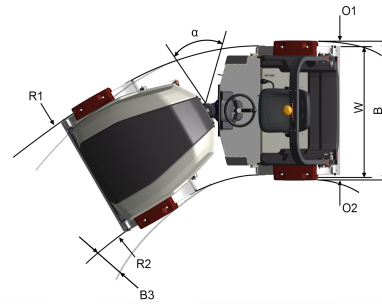
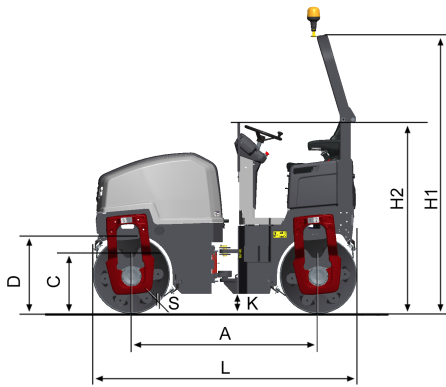
Manufacturer/Model	Kubota V2403-CR E5B (StageV)
Type	Water cooled diesel engine
Rated power, SAE J1995	37 kW (50 hp) @ 2700 rpm

HYDRAULIC SYSTEM

Driving	Axial piston pump with variable displacement. Radial piston motors (2) with constant displacement.
Vibration	Gear pump/motors with constant displacement.
Steering	Gear pump with constant displacement.
Service brake	Hydrostatic in forward and reverse lever.
Parking/Emergency brake	Failsafe multidisc brake in both drums.

Find us locally at www.dynapac.com

We reserve the right to change specifications without notice. Photos and illustrations do not always show standard versions of machines. The above information is a general description only, all information's are supplied without liability.



TECHNICAL DATA

DIMENSIONS

A. Wheelbase	78 in
B. Width	59 in
B3. Width, offset	2 in
C. Curb clearance	27 in
D. Drum diameter	35 in
H1. Height, with ROPS/cab	112 in
H2. Height, w/o ROPS/cab	80 in
K. Ground clearance	7.5 in
L. Length	112 in
O. Off-set	1.97 in
O1. Overhang, right	2.46 in
O2. Overhang, left	2.46 in
R1. Turning radius, outside	172 in
R2. Turning radius, inside	118 in
S. Drum shell thickness	0.67 in
W. Working width	54 in
α . Steering angle	$\pm 30^\circ$

Find us locally at www.dynapac.com

We reserve the right to change specifications without notice. Photos and illustrations do not always show standard versions of machines. The above information is a general description only, all information's are supplied without liability.