

RAPTOR 200  
LIGHTWEIGHT.  
COMFORTABLE.  
POWERFUL.



*Pinotti*



The new RAPTOR 200 from PRINOTH boasts a compact, yet robust design, ergonomic cab and powerful machine.

Unique: With its powerful CAT C4.4 engine, the RAPTOR 200 is equally at home on steep slopes and on soft ground. With powerful 190 hp and an extremely low tare weight of 9.2 t/20,280 lb, the RAPTOR 200 impresses with its optimum power-to-weight ratio.

In combination with the proven M450s attachment, the compact carrier vehicle is the first choice for any type of Land Clearing, ROW Maintenance, and Forestry Applications.

# THE BEST IN ITS CLASS



## COMPACT & SAFE

The spacious, comfortable and air-conditioned cabin meets the highest safety standards.



## ROBUST & LIGHTWEIGHT

Opposites need not be mutually exclusive: our designers have clearly demonstrated this with the RAPTOR 200.



## POWERFUL & ECONOMICAL

The CAT C4.4 engine combines high power and fuel efficiency to help the RAPTOR 200 keep costs down and provide stable yields in daily operations.

LIGHTWEIGHT. COMFORTABLE. POWERFUL.

# WHEN SMALLER IS JUST BETTER

Low weight:

- easy and flexible transportation
- Operation on steep slopes and soft ground



## GREAT ON STEEP SLOPES

The low center of gravity enables operation in rough and steep terrain. The RAPTOR 200 easily masters slopes of up to 45° for- and backwards and 30 degrees to the side.



## COMFORTABLE WORKPLACE

The air-conditioned, ergonomic cab meets the highest safety standards, is comfortable and has a heated driver's seat. This makes it possible to work for long periods of time at all temperatures.

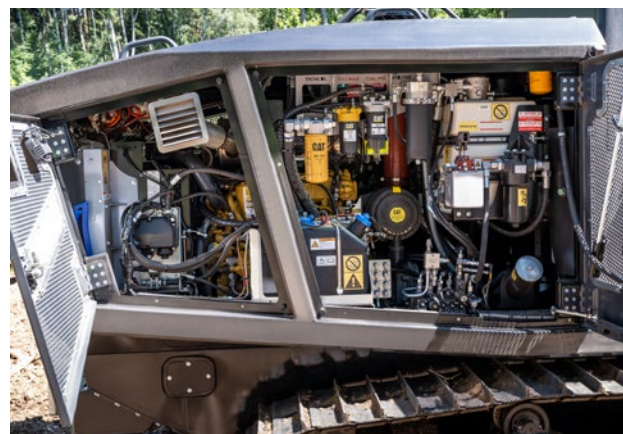


## ALL-AROUND VISION

The optional 360° camera ensures maximum safety. The generously dimensioned Lexan safety screens provide a perfect view of the terrain and work equipment.

**RELIABLE: POWERFUL ENGINE WITH 190 HP**

The 140 kW / 190 hp 4-cylinder CAT C4.4 diesel engine with a maximum torque of 815 Nm provides the user with sufficient power reserves in all application areas. The twin turbochargers ensure high drive efficiency. Equipped with an Ad-Blue system and a particle filter, the engine complies with the highest exhaust emission regulations of Stage V / Tier 4 Final. With a 250 l (66 gal) diesel fuel tank and 19 l (5 gal) Ad Blue supply, the RAPTOR 200 remains productive over long distances.

**HEAVY-DUTY AT EXTREME TEMPERATURES**

The RAPTOR 200 is equipped with a „heavy-duty“ cooling system for tough use in all climates. Two separate coolers operate as needed and save fuel. Reversible fans for self-cleaning of the coolers are standard.

**SIMPLY MORE PRODUCTIVITY – RAPTOR 200**

Cruise control and the additional load limit control enable semi-autonomous driving.

**MAXIMUM CONTROL**

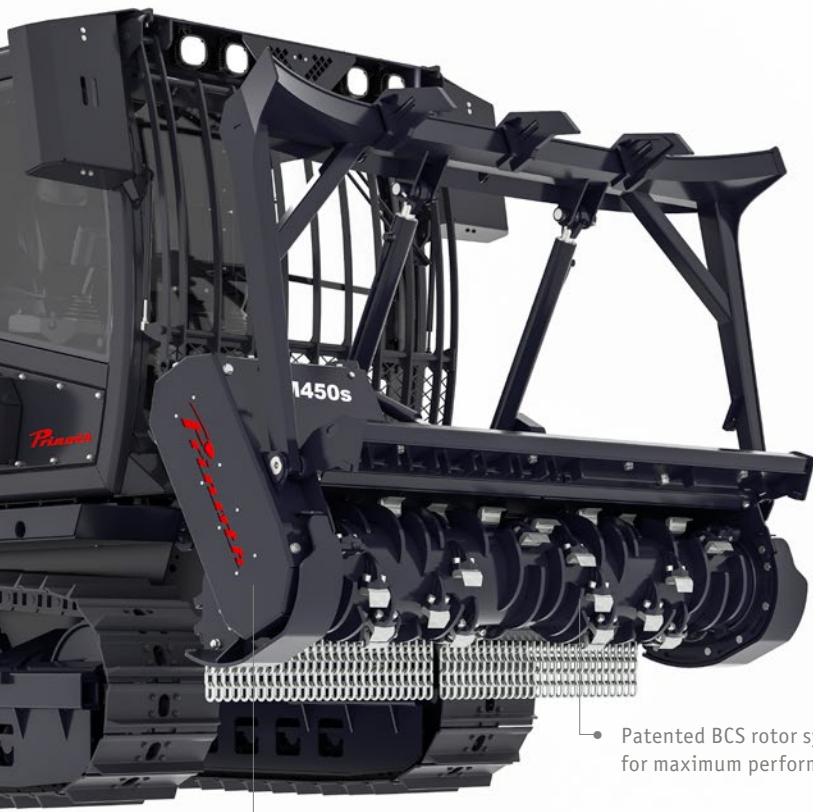
With the clearly arranged control and monitoring elements, the operator has all functions and parameters at a glance. In addition to comprehensive information, the display also supports fault diagnosis of the machine and engine.

**GREAT VISION – DAY AND NIGHT**

Powerful LED work lights and additional service lighting for round the clock operation.

**POWER IN ABUNDANCE**

The powerful M450s mulching attachment with hydraulic push bar and flap, efficient counter blades and the patented BCS rotor system ensure perfect mulching results.



## M450s

The M450s mulching attachment installed on the RAPTOR 200 is specifically developed for hydraulically driven machines. Designed for a range of carrier vehicles, the M450s is a compact and powerful mulching head for a variety of applications.

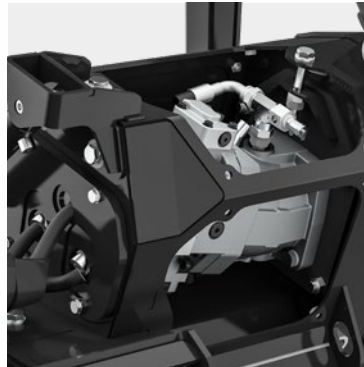
The M450s is securely attached to the RAPTOR 200 with a 3-point linkage. The power lift is double acting and prevents unintentional movement. The mulching head is mounted close to the carrier - for an optimal center of gravity.

Powerful 170 cc Axial piston motor

Patented BCS rotor system for maximum performance

### LOW WEIGHT

The light mulching head ensures greater safety. The center of gravity is close to the carrier for easier handling and ensures a good overview into the working field.



### POWERFUL

The M450s is equipped with a 170 cc Rexroth HD axial piston variable displacement motor. The powerful 68 mm toothed belt drive transmits power to the rotor. The low-maintenance belt concept saves valuable time.

### COUNTER BLADES

As a standard, the housing of the M450s is lined with replaceable shell plates utilizing two rows of AR steel counter blades.

## BCS – ROTOR SYSTEM

BCS stands for “Bite Control System”, which automatically limits cutting depths to produce very consistent mulch. This rotor system prevents excessive penetration into the wood, which would cause the rotor speed to drop too drastically. A perfectly balanced rotor combined with a unique tool arrangement achieves minimal fuel consumption and a perfect cutting pat-

tern under the most demanding conditions. The tools on the rotor can easily be swapped for ones suited to different applications.

The rotor of the M450s is optionally available equipped with UPTs tools.

# TECHNICAL DATA

## ENGINE

Engine	CAT C4.4 Stage V
Power	140 kW / 190 hp
Emissions	V
Max. torque	815 Nm with 1,400 U/min <sup>-1</sup>
Diesel fuel tank	66 gal (250 l)
Ad Blue tank	5 gal (19 l)

## WEIGHT AND MOBILITY

Weight RAPTOR 200, including auxiliary winch and hoist	17,196 lb (7,800 kg)
Weight with M450s-1900	20,172 lb (9,150 kg)
Ground pressure without mulcher	3.98 psi (0.280 kg/cm <sup>2</sup> )
Ground pressure with mulcher	4.69 psi (0.330 kg/cm <sup>2</sup> )

## TRANSMISSION

Hydraulic pumps and motors	
Hydraulic tank	14.26 gal (54 l)
Max. speed	5 mph (8 km/h)
Generously dimensioned travel drive	

## UNDERCARRIAGE

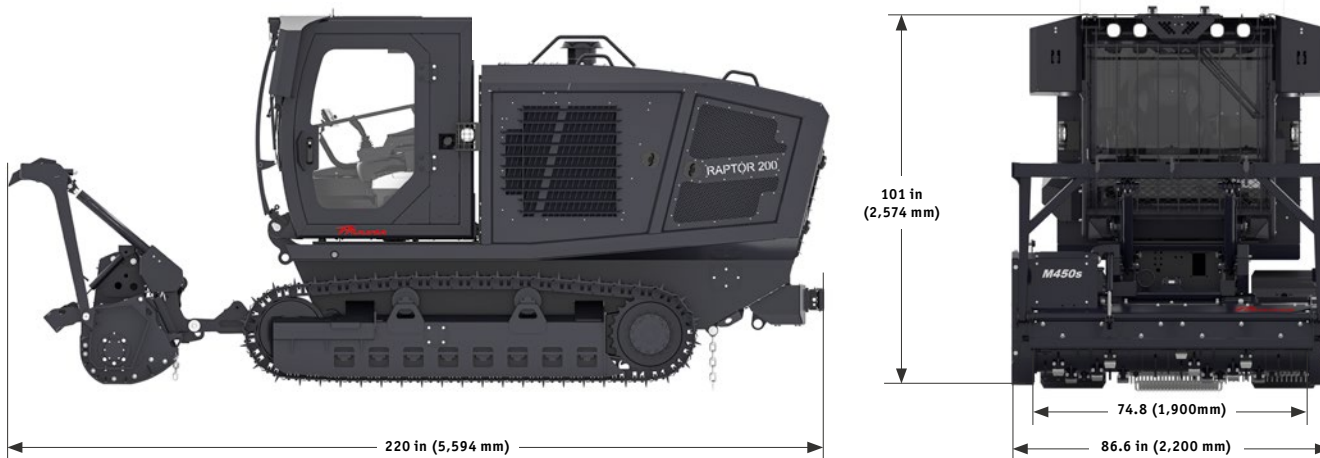
Undercarriage type	steel tracks
Steel slabs	17.7 in (450 mm)
Chassis width	74.8 in (1,900 mm)

## GRADEABILITY

Gradeability sideways	35°
Gradeability frontal	45°

	M450s	1600	1900	2200
Variable axial piston motor		170 cc	170 cc	170 cc
Rotor diameter			450 mm	
Working width		63 in (1,600 mm)	74.8 in (1,900 mm)	86.6 in (2,200 mm)
Total width		74.8 in (1,900 mm)	86.6 in (2,200 mm)	98.4 in (2,500 mm)
Weight		2,513 lb (1,140 kg)	2,668 lb (1,210 kg)	3,042 lb (1,380 kg)
Tools		32x BCS / 40x UPTs	40x BCS / 48x UPTs	48x BCS / 56x UPTs

Weight depending on the configuration of the machine.



**PRINOTH GmbH**

Im Branden 15  
88634 Herdwangen  
GERMANY  
Tel. +49 7557 92120  
prinoth.germany@prinoth.com

**PRINOTH AG**

Brennerstraße 34  
39049 Sterzing  
ITALY  
Tel. +39 0472 72 26 22  
prinoth@prinoth.com

**PRINOTH Ltd.**

1001 J.-A. Bombardier Street  
Granby Qc J2J 1E9  
CANADA  
Tel. +1 450 776 3600  
sales.na@prinoth.com

Locate your nearest sales and service points at [www.prinoth.com](http://www.prinoth.com)

© 2022. Technical specifications depend on equipment and may vary. Illustrations may contain optional features that do not come as standard. PRINOTH reserves the right to make changes and updates at any time without prior notice. Version 10/2022