



Vehicle: [Fleet] 2023 Chevrolet Silverado MD (CC56403) 2WD Reg Cab Work Truck





Vehicle: [Fleet] 2023 Chevrolet Silverado MD (CC56403) 2WD Reg Cab Work Truck ( Complete )

## Technical Specifications

### Powertrain

#### Transmission

Drivetrain	Rear Wheel Drive	Trans Order Code	MWB
Trans Type	6	Trans Description Cont.	Automatic
Trans Description Cont. Again	N/A	First Gear Ratio (:1)	3.10
Second Gear Ratio (:1)	1.80	Third Gear Ratio (:1)	1.40
Fourth Gear Ratio (:1)	1.00	Fifth Gear Ratio (:1)	0.70
Sixth Gear Ratio (:1)	0.61	Reverse Ratio (:1)	N/A
Clutch Size	N/A	Trans Power Take Off	N/A
Final Drive Axle Ratio (:1)	N/A	Transfer Case Model	N/A
Transfer Case Power Take Off	N/A	Second Reverse Gear Ratio (:1)	N/A
Third Reverse Gear Ratio (:1)	N/A	Fourth Reverse Gear Ratio (:1)	N/A
Fifth Reverse Gear Ratio (:1)	N/A	Sixth Reverse Gear Ratio (:1)	N/A
Transmission Manufacturer	Allison	Transmission Type	A2700HS Allison

#### Engine

Engine Order Code	L5D	Engine Type	Turbocharged Diesel V8
Displacement	6.6L/402	Fuel System	Direct Injection
SAE Net Horsepower @ RPM	350 @ 2700	SAE Net Torque @ RPM	700 @ 1600
Engine Oil Cooler	Yes	Governed Engine Speed (RPM)	2900
Engine Series	Duramax		

#### Electrical

Cold Cranking Amps @ 0° F (Primary)	1100	Cold Cranking Amps @ 0° F (2nd)	1100
Cold Cranking Amps @ 0° F (3rd)	N/A	Maximum Alternator Capacity (amps)	150

#### Cooling System

Total Cooling System Capacity	48 qts
-------------------------------	--------

This document contains information considered Confidential between GM and its Clients uniquely. The information provided is not intended for public disclosure. Prices, specifications, and availability are subject to change without notice, and do not include certain fees, taxes and charges that may be required by law or vary by manufacturer or region. Performance figures are guidelines only, and actual performance may vary. Photos may not represent actual vehicles or exact configurations. Content based on report preparer's input is subject to the accuracy of the input provided.

Data Version: 17632. Data Updated: Oct 4, 2022 6:51:00 PM PDT.



Vehicle: [Fleet] 2023 Chevrolet Silverado MD (CC56403) 2WD Reg Cab Work Truck ( Complete )

**Vehicle**

**Vehicle**

Axle Ratio - Low Rear (:1)	N/A	As Spec Curb Weight - Front	4704.00 lbs
As Spec Curb Weight - Rear	2856.00 lbs		

**Chassis**

**Weight Information**

Standard Weight - Front	0.00 lbs	Standard Weight - Rear	0.00 lbs
Total Weight	7910.00 lbs	Gross Axle Wt Rating - Front	8000 lbs
Gross Axle Wt Rating - Rear	13500 lbs	Curb Weight - Front	4704 lbs
Curb Weight - Rear	2856 lbs	Option Weight - Front	0.00 lbs
Option Weight - Rear	0.00 lbs	Reserve Axle Capacity - Front	2946.00 lbs
Reserve Axle Capacity - Rear	10644.00 lbs	As Spec'd Curb Weight	7560.00 lbs
As Spec'd Payload	13940.00 lbs	Gross Combined Wt Rating	26000 lbs
Cargo Weight	0.00 lbs	Gross Vehicle Weight	7910.00 lbs
Axle Weight	7910.00 lbs	Gross Axle Weight Rating	21500.00 lbs
Curb Weight	7560.00 lbs	Reserve Axle Capacity	13590.00 lbs
Total Option Weight	0.00 lbs	Payload Weight Front	0.00 lbs
Payload Weight Rear	0.00 lbs	Maximum Axle Rating Front	7940.00 lbs
Maximum Axle Rating Rear	13500.00 lbs	Maximum Axle Rating Total	21500.00 lbs
Gross Vehicle Weight Rating	21500.00 lbs	Front PayLoad	350.00 lbs
Rear Payload	0.00 lbs	Total Payload Weight (Cargo + Driver + Body)	350.00 lbs

**Frame**

Frame Type	High Strength Low Alloy Steel	Sect Modulus Rails Only	8.08 Front/10.93 Belly/8.47 Rear in <sup>3</sup>
Frame RBM	404000 Front/546500 Belly/423500 Rear	Frame Strength	50000 lbs
Frame Thickness	0.3125 in		

**Suspension**

Suspension Type - Front	Multi-Leaf	Suspension Type - Rear	Multi-Leaf
-------------------------	------------	------------------------	------------

This document contains information considered Confidential between GM and its Clients uniquely. The information provided is not intended for public disclosure. Prices, specifications, and availability are subject to change without notice, and do not include certain fees, taxes and charges that may be required by law or vary by manufacturer or region. Performance figures are guidelines only, and actual performance may vary. Photos may not represent actual vehicles or exact configurations. Content based on report preparer's input is subject to the accuracy of the input provided.

Data Version: 17632. Data Updated: Oct 4, 2022 6:51:00 PM PDT.



Vehicle: [Fleet] 2023 Chevrolet Silverado MD (CC56403) 2WD Reg Cab Work Truck ( Complete )

## Chassis

### Suspension

Spring Capacity - Front	8000 lbs	Spring Capacity - Rear	13500 lbs
Axle Type - Front	I-Beam	Axle Type - Rear	Single Reduction
Axle Capacity - Front	8000 lbs	Axle Capacity - Rear	13500 lbs
Axle Ratio (:1) - Front	N/A	Axle Ratio (:1) - Rear	4.10
Shock Absorber Diameter - Front	51 mm	Shock Absorber Diameter - Rear	N/A
Stabilizer Bar Diameter - Front	N/A	Stabilizer Bar Diameter - Rear	N/A

### Tires

Front Tire Order Code	XDK	Rear Tire Order Code	YAL
Spare Tire Order Code	N/A	Front Tire Size	225/70R19.5G
Rear Tire Size	225/70R19.5G	Spare Tire Size	N/A
Front Tire Capacity	7940 lbs	Rear Tire Capacity	15000 lbs
Spare Tire Capacity	N/A	Revolutions/Mile @ 45 mph - Front	640
Revolutions/Mile @ 45 mph - Rear	640	Revolutions/Mile @ 45 mph - Spare	N/A
Tire Rating Total	22940.00		

### Wheels

Front Wheel Size	19.5 x 6.75 in	Rear Wheel Size	19.5 x 6.75 in
Spare Wheel Size	N/A	Front Wheel Material	Steel
Rear Wheel Material	Steel	Spare Wheel Material	N/A
Front Bolt Pattern	8 Hole JIS 10.83"	Rear Bolt Pattern	8 Hole JIS 10.83"
Spare Bolt Pattern	N/A		

### Steering

Steering Type	Pwr	Steering Ratio (:1), On Center	16.6
Steering Ratio (:1), At Lock	19.6	Turning Diameter - Curb to Curb	41.2 ft
Turning Diameter - Wall to Wall	42.8 ft		

### Brakes

Brake Type	Pwr	Brake ABS System	4-Wheel
Brake ABS System (Second Line)	N/A	Disc - Front (Yes or )	Yes

This document contains information considered Confidential between GM and its Clients uniquely. The information provided is not intended for public disclosure. Prices, specifications, and availability are subject to change without notice, and do not include certain fees, taxes and charges that may be required by law or vary by manufacturer or region. Performance figures are guidelines only, and actual performance may vary. Photos may not represent actual vehicles or exact configurations. Content based on report preparer's input is subject to the accuracy of the input provided.

Data Version: 17632. Data Updated: Oct 4, 2022 6:51:00 PM PDT.



Vehicle: [Fleet] 2023 Chevrolet Silverado MD (CC56403) 2WD Reg Cab Work Truck ( Complete )

## Chassis

### Brakes

Disc - Rear (Yes or )	Yes	Front Brake Rotor Diam x Thickness	15.375 x 1.625 in
Rear Brake Rotor Diam x Thickness	15.375 x 1.625 in	Drum - Front (Yes or )	N/A
Front Drum Diam x Width	N/A	Drum - Rear (Yes or )	N/A
Rear Drum Diam x Width	N/A		

### Fuel Tank

Fuel Tank Capacity, Approx	40 gal	Aux Fuel Tank Capacity, Approx	N/A
Fuel Tank Location	Behind Rear Axle	Aux Fuel Tank Location	N/A

### Trailer

Trailer Weight	0.0 lbs
----------------	---------

## Dimensions

### Interior Dimensions

Passenger Capacity	3	Front Head Room	42.8 in
Front Leg Room	45.28 in	Front Shoulder Room	66.02 in
Front Hip Room	60.75 in		

### Exterior Dimensions

Wheelbase	141 in	Length, Overall w/o rear bumper	N/A
Length, Overall	224.4 in	Width, Max w/o mirrors	92.7 in
Height, Overall	82.95 in	Overhang, Front	34.4 in
Overhang, Rear w/o bumper	49 in	Front Bumper to Back of Cab	115.47 in
Cab to Axle	60 in	Cab to End of Frame	109.1 in
Ground to Top of Load Floor	N/A	Ground to Top of Frame	N/A
Frame Width, Rear	34.1 in	Ground Clearance, Front	N/A
Ground Clearance, Rear	N/A	Body Length	0.0 ft
Cab to Body	3.0 in	Frontal Area	ft <sup>2</sup>

This document contains information considered Confidential between GM and its Clients uniquely. The information provided is not intended for public disclosure. Prices, specifications, and availability are subject to change without notice, and do not include certain fees, taxes and charges that may be required by law or vary by manufacturer or region. Performance figures are guidelines only, and actual performance may vary. Photos may not represent actual vehicles or exact configurations. Content based on report preparer's input is subject to the accuracy of the input provided.

Data Version: 17632. Data Updated: Oct 4, 2022 6:51:00 PM PDT.



Vehicle: [Fleet] 2023 Chevrolet Silverado MD (CC56403) 2WD Reg Cab Work Truck ( Complete )

### Medium Duty

#### Medium Duty Performance

Front Axle %	63.89	Rear Axle %	36.11
Driver Weight	350.0 lbs	Front Ground Load	5054.00 lbs
Rear Ground Load	2856.00 lbs	1st gear High Speed (High Axle Gear)	21.39 MPH
2nd gear High Speed (High Axle Gear)	36.84 MPH	3rd gear High Speed (High Axle Gear)	47.36 MPH
4th gear High Speed (High Axle Gear)	66.31 MPH	5th gear High Speed (High Axle Gear)	94.73 MPH
6th gear High Speed (High Axle Gear)	108.71 MPH	1st gear Low Speed (High Axle Gear)	11.80 MPH
2nd gear Low Speed (High Axle Gear)	20.33 MPH	3rd gear Low Speed (High Axle Gear)	26.13 MPH
4th gear Low Speed (High Axle Gear)	36.59 MPH	5th gear Low Speed (High Axle Gear)	52.26 MPH
6th gear Low Speed (High Axle Gear)	59.98 MPH	1st gear High Speed (Low Axle Gear)	N/A
2nd gear High Speed (Low Axle Gear)	N/A	3rd gear High Speed (Low Axle Gear)	N/A
4th gear High Speed (Low Axle Gear)	N/A	5th gear High Speed (Low Axle Gear)	N/A
6th gear High Speed (Low Axle Gear)	N/A	1st gear Low Speed (Low Axle Gear)	N/A
2nd gear Low Speed (Low Axle Gear)	N/A	3rd gear Low Speed (Low Axle Gear)	N/A
4th gear Low Speed (Low Axle Gear)	N/A	5th gear Low Speed (Low Axle Gear)	N/A
6th gear Low Speed (Low Axle Gear)	N/A	Reduction	22.42
Torque @ Clutch Engage	N/A	Starting Grade Index	N/A
1st Gear Tractive Effort (High Axle Gear)	5921.84	2nd Gear Tractive Effort (High Axle Gear)	3438.49
3rd Gear Tractive Effort (High Axle Gear)	2674.38	4th Gear Tractive Effort (High Axle Gear)	1910.27
5th Gear Tractive Effort (High Axle Gear)	1337.19	6th Gear Tractive Effort (High Axle Gear)	1165.27
1st Gear Tractive Effort (Low Axle Gear)	N/A	2nd Gear Tractive Effort (Low Axle Gear)	N/A
3rd Gear Tractive Effort (Low Axle Gear)	N/A	4th Gear Tractive Effort (Low Axle Gear)	N/A
5th Gear Tractive Effort (Low Axle Gear)	N/A	6th Gear Tractive Effort (Low Axle Gear)	N/A
1st Gear Gradeability (High Axle Gear)	24.83	2nd Gear Gradeability (High Axle Gear)	13.41
3rd Gear Gradeability (High Axle Gear)	9.49	4th Gear Gradeability (High Axle Gear)	4.73
5th Gear Gradeability (High Axle Gear)	-0.77	6th Gear Gradeability (High Axle Gear)	-3.37
1st Gear Gradeability (Low Axle Gear)	45.95	2nd Gear Gradeability (Low Axle Gear)	26.21
3rd Gear Gradeability (Low Axle Gear)	20.00	4th Gear Gradeability (Low Axle Gear)	13.53
5th Gear Gradeability (Low Axle Gear)	8.07	6th Gear Gradeability (Low Axle Gear)	6.14
Geared Road Speed	108.71 MPH	Actual Loaded Speed	66.3 MPH In 4th Hi @ 2900 RPM

This document contains information considered Confidential between GM and its Clients uniquely. The information provided is not intended for public disclosure. Prices, specifications, and availability are subject to change without notice, and do not include certain fees, taxes and charges that may be required by law or vary by manufacturer or region. Performance figures are guidelines only, and actual performance may vary. Photos may not represent actual vehicles or exact configurations. Content based on report preparer's input is subject to the accuracy of the input provided.

Data Version: 17632. Data Updated: Oct 4, 2022 6:51:00 PM PDT.



Vehicle: [Fleet] 2023 Chevrolet Silverado MD (CC56403) 2WD Reg Cab Work Truck ( Complete )

## Medium Duty

### Medium Duty Performance

		MPH	
Grade (%)	2.0	Maximum Speed Gradeability	12.78% @ 2539 RPM @ 79 MPH
Torque Converter	1.764	Maximum Capacity @ 0° F	2200.00
% of Body on Front Axle	40.43	% of Body on Rear Axle	59.57
Body Weight Front	0.00 lbs	Body Weight Rear	0.00 lbs
Actual Loaded Speed (First Part, MPH)	66.3 MPH	Actual Loaded Speed (Second Part, RPM)	2900
Actual Loaded Speed (Third Part, Gear)	4	Road Type	Concrete
Body Weight	0.0 lbs	Driver Weight Front	350.00 lbs
Driver Weight Rear	0.00 lbs	Medium Duty Body Type	None
Front Total Load	5054.00 lbs	Rear Total Load	2856.00 lbs

This document contains information considered Confidential between GM and its Clients uniquely. The information provided is not intended for public disclosure. Prices, specifications, and availability are subject to change without notice, and do not include certain fees, taxes and charges that may be required by law or vary by manufacturer or region. Performance figures are guidelines only, and actual performance may vary. Photos may not represent actual vehicles or exact configurations. Content based on report preparer's input is subject to the accuracy of the input provided.

Data Version: 17632. Data Updated: Oct 4, 2022 6:51:00 PM PDT.

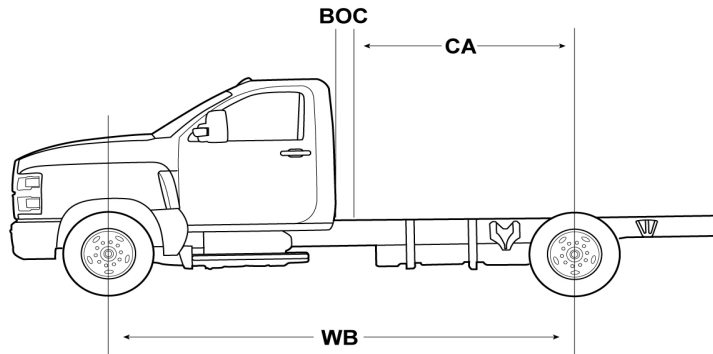


Vehicle: [Fleet] 2023 Chevrolet Silverado MD (CC56403) 2WD Reg Cab Work Truck (✔ Complete)

### Weight Distribution

#### SPECIFICATION SUMMARY

Model #	CC56403
Truck/Tractor	
Wheelbase (WB)	141 in
Cab to Axle (CA)	60 in
Cab to Body/Swing Clear (BOC)	3.0 in
Body Length	0.0 ft
Body Weight	0.0 lbs
Cargo Weight	0.00 lbs
Front GAWR	8000 lbs
Rear GAWR	13500 lbs
GVWR	21500.00 lbs



CA: 60 in  
 BOC: 3.0 in  
 WB: 141 in

**Fr%: 63.89**  
**Front Wt: 5054.00 lbs**

**Rr%: 36.11**  
**Rear Wt: 2856.00 lbs**

GAWR/GVWR	GVW	Remaining Payload Wt
21500.00 lbs	7910.00 lbs	13,590.00 lbs

This document contains information considered Confidential between GM and its Clients uniquely. The information provided is not intended for public disclosure. Prices, specifications, and availability are subject to change without notice, and do not include certain fees, taxes and charges that may be required by law or vary by manufacturer or region. Performance figures are guidelines only, and actual performance may vary. Photos may not represent actual vehicles or exact configurations. Content based on report preparer's input is subject to the accuracy of the input provided.

Data Version: 17632. Data Updated: Oct 4, 2022 6:51:00 PM PDT.





Vehicle: [Fleet] 2023 Chevrolet Silverado MD (CC56403) 2WD Reg Cab Work Truck ( Complete )

## Weight Distribution

### SPECIFICATION DETAILS

	Front Axle	Rear Axle	Total
<b>Actual</b>			
Chassis	4704.00 lbs	2856.00 lbs	7560.00 lbs
Body	0.00 lbs	0.00 lbs	0.0 lbs
Payload	0.00 lbs	0.00 lbs	0.00 lbs
Trailer			0.0 lbs
Totals	5054.00 lbs	2856.00 lbs	7910.00 lbs
<b>Capacity</b>			
Axle	8000 lbs	13500 lbs	21500.00 lbs
Suspension	8000 lbs	13500 lbs	21,500.00 lbs
Tire	7940 lbs	15000 lbs	22940.00
Total Axle Rating	7940.00 lbs	13500.00 lbs	21500.00 lbs

This document contains information considered Confidential between GM and its Clients uniquely. The information provided is not intended for public disclosure. Prices, specifications, and availability are subject to change without notice, and do not include certain fees, taxes and charges that may be required by law or vary by manufacturer or region. Performance figures are guidelines only, and actual performance may vary. Photos may not represent actual vehicles or exact configurations. Content based on report preparer's input is subject to the accuracy of the input provided.

Data Version: 17632. Data Updated: Oct 4, 2022 6:51:00 PM PDT.



Vehicle: [Fleet] 2023 Chevrolet Silverado MD (CC56403) 2WD Reg Cab Work Truck ( Complete )

### Selected Model and Options

#### MODEL

CODE	MODEL	MSRP
CC56403	2023 Chevrolet Silverado MD 2WD Reg Cab Work Truck	\$56,105.00

#### COLORS

CODE	DESCRIPTION
G7C	Red Hot

#### MODEL OPTION

CODE	DESCRIPTION	FRONT WEIGHT	REAR WEIGHT	MSRP
R7P	6500 HD Series (Included and only available with (GZH) 21,500 lb. GVWR, (C9U) 22,940 lb. GVWR or (DD7) 23,500 lb. GVWR.)	0.00 lbs	0.00 lbs	Inc.

#### GVWR

CODE	DESCRIPTION	FRONT WEIGHT	REAR WEIGHT	MSRP
GZH	GVWR, 21,500 lb. (9752 kg) (Silverado 6500 HD 2WD models require one of the following combinations: (1) (FTA) 7k front axle and (FK6) 7k front suspension and (HD1) 15k rear axle or (J27) 15.5k rear axle and one of the following rear suspensions: (FU7) 15.5k rear suspension, (GP8) 15.5k rear air suspension, (91D) 15.5k LiquidSpring prep single volume rear suspension or (91E) 15.5k LiquidSpring prep stacked volume rear suspension. (2) (FTL) 8k front axle and (FSN) 8k front suspension and (HD2) 13.5k rear axle and one of the following rear suspensions: (GR4) 13.5k rear suspension, (GP1) 13.5k Rear air suspension, (91B) 13.5k LiquidSpring prep single volume rear suspension or (91C) 13.5k LiquidSpring prep stacked volume rear suspension. (3) (FTL) 8k front axle and (FSN) 8k front suspension and (HD1) 15k rear axle or (J27) 15.5k rear axle and one of the following rear suspensions: (GR4) 13.5k rear suspension, (FU7) 15.5k rear suspension, (GP1) 13.5K rear air suspension, (GP8) 15.5k rear air suspension, (91B) 13.5k LiquidSpring prep single volume rear suspension, (91C) 13.5k LiquidSpring prep stacked volume rear suspension, (91D) 15.5k LiquidSpring prep single volume rear suspension or (91E) 15.5k LiquidSpring prep stacked volume rear suspension.)	0.00 lbs	0.00 lbs	\$4,300.00

This document contains information considered Confidential between GM and its Clients uniquely. The information provided is not intended for public disclosure. Prices, specifications, and availability are subject to change without notice, and do not include certain fees, taxes and charges that may be required by law or vary by manufacturer or region. Performance figures are guidelines only, and actual performance may vary. Photos may not represent actual vehicles or exact configurations. Content based on report preparer's input is subject to the accuracy of the input provided.

Data Version: 17632. Data Updated: Oct 4, 2022 6:51:00 PM PDT.



Vehicle: [Fleet] 2023 Chevrolet Silverado MD (CC56403) 2WD Reg Cab Work Truck (  Complete )

#### REQUIRED OPTION

CODE	DESCRIPTION	FRONT WEIGHT	REAR WEIGHT	MSRP
R6G	26,000 lb. GCWR (11,793 kg) (Requires 26k GCWR transmission (MWA, MWB, MIU, MIA, MH1, MGO, MIX, MF0, MA6 or MB6).)	0.00 lbs	0.00 lbs	\$0.00

#### ENGINE

CODE	DESCRIPTION	FRONT WEIGHT	REAR WEIGHT	MSRP
L5D	Engine, Duramax 6.6L Turbo-Diesel V8, B20-Diesel compatible 350 hp @ 2700 rpm, 700 lb.-ft. torque @ 1600 rpm (STD)	0.00 lbs	0.00 lbs	\$0.00

#### POWER TAKE OFF

CODE	DESCRIPTION	FRONT WEIGHT	REAR WEIGHT	MSRP
PTX	Power Take-Off (PTO), not installed	0.00 lbs	0.00 lbs	\$0.00

#### TRANSMISSION

CODE	DESCRIPTION	FRONT WEIGHT	REAR WEIGHT	MSRP
MWB	Highway Service Transmission, Automatic close-ratio 6 SPD with double overdrive, Allison, A2700HS ratios: 3.10 1ST, 1.80 2ND, 1.40 3RD, 1.00 4TH, 0.70 5TH, 0.61 6TH Highway Series, 26K GVW & 26K GCW Max., requires PTX and park pawl. Available with GVWs greater than 19.5K (Requires (GZH) 21,500 lb. GVWR, (C9U) 22,940 lb. GVWR or (DD7) 23,500 lb. GVWR. Requires (R6G) 26,000 lb. GCWR (11,793 kg).)	0.00 lbs	0.00 lbs	\$985.00

#### AXLE

CODE	DESCRIPTION	FRONT WEIGHT	REAR WEIGHT	MSRP
066	Rear axle, 4.10 ratio Max road speed: 79 MPH	0.00 lbs	0.00 lbs	\$0.00

#### FRONT AXLE

CODE	DESCRIPTION	FRONT WEIGHT	REAR WEIGHT	MSRP
FTL	Front axle, 8,000 lb., Dana/Spicer D800-N, "I"-beam, non-driving (Requires (FSN) 8,000 lb. (3,629 kg) front suspension. Requires (PCJ) Vocational Specific Heavy Suspension Package when ordered with (FQT) 141" Wheelbase or (ED9) 165" Wheelbase.)	0.00 lbs	0.00 lbs	\$500.00

This document contains information considered Confidential between GM and its Clients uniquely. The information provided is not intended for public disclosure. Prices, specifications, and availability are subject to change without notice, and do not include certain fees, taxes and charges that may be required by law or vary by manufacturer or region. Performance figures are guidelines only, and actual performance may vary. Photos may not represent actual vehicles or exact configurations. Content based on report preparer's input is subject to the accuracy of the input provided.

Data Version: 17632. Data Updated: Oct 4, 2022 6:51:00 PM PDT.



Vehicle: [Fleet] 2023 Chevrolet Silverado MD (CC56403) 2WD Reg Cab Work Truck ( Complete )

#### FRONT SUSPENSION

CODE	DESCRIPTION	FRONT WEIGHT	REAR WEIGHT	MSRP
FSN	Front suspension, 8,000 lb. (3,629 kg) multi-leaf, includes shock absorbers	0.00 lbs	0.00 lbs	\$100.00

#### REAR AXLE

CODE	DESCRIPTION	FRONT WEIGHT	REAR WEIGHT	MSRP
HD2	Rear axle, 13,500 lb. (6,124 kg) Dana Spicer S14-110, single reduction	0.00 lbs	0.00 lbs	\$355.00

#### REAR SUSPENSION

CODE	DESCRIPTION	FRONT WEIGHT	REAR WEIGHT	MSRP
GR4	Rear suspension, 13,500 lb. (6,123 kg) multi-leaf, vari-rate (Not available with air suspension or (GL4) 11,000 lb. (4,999 kg) rear axle.)	0.00 lbs	0.00 lbs	\$25.00

#### WHEELBASE

CODE	DESCRIPTION	FRONT WEIGHT	REAR WEIGHT	MSRP
FQT	Wheelbase, 141" (358.1 cm), 60" CA (Requires (F0C) 49" axle to end of frame, (F0D) 63" axle to end of frame or (F0K) 91" axle to end of frame and (NPR) exhaust. Requires (PCJ) Vocational Specific Heavy Suspension Package, when ordering (FTA) 7,000 lb. Front axle/(FK6) 7,000 lb. Front suspension or (FTL) 8,000 lb. Front axle/(FSN) 8,000 lb. Front suspension and/or (FU7) 15,500 lb. rear suspension. Not available with rear air suspensions or (91B), (91C), (91D) or (91E) prep for LiquidSpring rear suspension.) (STD)	0.00 lbs	0.00 lbs	\$0.00

#### PREFERRED EQUIPMENT GROUP

CODE	DESCRIPTION	FRONT WEIGHT	REAR WEIGHT	MSRP
1WT	Work Truck Preferred Equipment Group includes standard equipment	0.00 lbs	0.00 lbs	\$0.00

This document contains information considered Confidential between GM and its Clients uniquely. The information provided is not intended for public disclosure. Prices, specifications, and availability are subject to change without notice, and do not include certain fees, taxes and charges that may be required by law or vary by manufacturer or region. Performance figures are guidelines only, and actual performance may vary. Photos may not represent actual vehicles or exact configurations. Content based on report preparer's input is subject to the accuracy of the input provided.

Data Version: 17632. Data Updated: Oct 4, 2022 6:51:00 PM PDT.



Vehicle: [Fleet] 2023 Chevrolet Silverado MD (CC56403) 2WD Reg Cab Work Truck ( Complete )

#### WHEEL TYPE

CODE	DESCRIPTION	FRONT WEIGHT	REAR WEIGHT	MSRP
PWQ	Wheels, 19.5" x 6.75", steel, Black painted, 8-holes, hub piloted (STD)	0.00 lbs	0.00 lbs	\$0.00

#### FRONT TIRES

CODE	DESCRIPTION	FRONT WEIGHT	REAR WEIGHT	MSRP
XDK	Tires, front 225/70R19.5G highway blackwall Goodyear Max Axle Load: 7,940 lb. (Requires (YAL) Tires, rear 225/70R19.5G highway blackwall Goodyear, Max Axle Load: 15,000 lb. or (YMF) Tires, rear 225/70R19.5G traction blackwall Goodyear, Max Axle Load: 15,000 lb.) (STD)	0.00 lbs	0.00 lbs	\$0.00

#### REAR TIRES

CODE	DESCRIPTION	FRONT WEIGHT	REAR WEIGHT	MSRP
YAL	Tires, rear 225/70R19.5G highway blackwall Goodyear Max Axle Load: 15,000 lb. (STD)	0.00 lbs	0.00 lbs	\$0.00

#### SPARE TIRE

CODE	DESCRIPTION	FRONT WEIGHT	REAR WEIGHT	MSRP
9L3	Spare tire delete (STD)	0.00 lbs	0.00 lbs	\$0.00

#### PAINT SCHEME

CODE	DESCRIPTION	FRONT WEIGHT	REAR WEIGHT	MSRP
ZY1	Paint, solid	0.00 lbs	0.00 lbs	\$0.00

#### PAINT

CODE	DESCRIPTION	FRONT WEIGHT	REAR WEIGHT	MSRP
G7C	Red Hot	0.00 lbs	0.00 lbs	\$0.00

This document contains information considered Confidential between GM and its Clients uniquely. The information provided is not intended for public disclosure. Prices, specifications, and availability are subject to change without notice, and do not include certain fees, taxes and charges that may be required by law or vary by manufacturer or region. Performance figures are guidelines only, and actual performance may vary. Photos may not represent actual vehicles or exact configurations. Content based on report preparer's input is subject to the accuracy of the input provided.

Data Version: 17632. Data Updated: Oct 4, 2022 6:51:00 PM PDT.



Vehicle: [Fleet] 2023 Chevrolet Silverado MD (CC56403) 2WD Reg Cab Work Truck (  Complete )

SEAT TYPE				
CODE	DESCRIPTION	FRONT WEIGHT	REAR WEIGHT	MSRP
AE7	Seats, front 40/20/40 split-bench, 3-passenger driver and front passenger recline with outboard head restraints and center fold-down armrest with storage. Vinyl has fixed lumbar and cloth has manually adjustable driver lumbar. (STD)	0.00 lbs	0.00 lbs	\$0.00

SEAT TRIM				
CODE	DESCRIPTION	FRONT WEIGHT	REAR WEIGHT	MSRP
H2Q	Dark Ash seats with Jet Black interior accents, Vinyl seat trim	0.00 lbs	0.00 lbs	\$0.00

RADIO				
CODE	DESCRIPTION	FRONT WEIGHT	REAR WEIGHT	MSRP
IO3	Audio system, 4.2" diagonal color display AM/FM stereo with USB port and auxiliary jack (Requires (AE7) front 40/20/40 split-bench seat. Not available with (UE1) OnStar or (U2K) SiriusXM Radio.) (STD)	0.00 lbs	0.00 lbs	\$0.00

ADDITIONAL EQUIPMENT - PACKAGE				
CODE	DESCRIPTION	FRONT WEIGHT	REAR WEIGHT	MSRP
PCJ	Vocational Specific Heavy Suspension Package For 141" or 165" WB trucks only. Allows the selection of 7,000 lb., 8,000 lb., front axles and/or 15,500 lb. rear spring suspension on trucks that will be upfitted with the following vocational bodies: Utility/Service Bodies, Aerial Lift/Bucket bodies, Front Plow/Rear Spreader Applications, and Landscape Dump Bodies. (Required with (FQT) 141" Wheelbase or (ED9) 165" Wheelbase and (FTA) 7,000 lb. Front axle/(FK6) 7,000 lb. Front suspension or (FTL) 8,000 lb. Front axle/(FSN) 8,000 lb. Front suspension and/or (FU7) 15,500 lbs. rear suspension.)	0.00 lbs	0.00 lbs	\$0.00
	<b>Options Total</b>	<b>0.00 lbs</b>	<b>0.00 lbs</b>	<b>\$6,265.00</b>
	As Specified Curb Weight	4704.00 lbs	2856.00 lbs	

This document contains information considered Confidential between GM and its Clients uniquely. The information provided is not intended for public disclosure. Prices, specifications, and availability are subject to change without notice, and do not include certain fees, taxes and charges that may be required by law or vary by manufacturer or region. Performance figures are guidelines only, and actual performance may vary. Photos may not represent actual vehicles or exact configurations. Content based on report preparer's input is subject to the accuracy of the input provided.

Data Version: 17632. Data Updated: Oct 4, 2022 6:51:00 PM PDT.



Vehicle: [Fleet] 2023 Chevrolet Silverado MD (CC56403) 2WD Reg Cab Work Truck ( Complete )

## Standard Equipment

### Mechanical

GVWR, 16,500 lb. (7484 kg) (Silverado 4500 HD 2WD Regular Cab models require one of the following combinations: (1) (FTC) 6.25k front axle and (FTW) 6.25k front suspension and (GL4) 11k rear axle and (GR3) 11k rear suspension. (2) (FTC) 6.25k front axle and (FTW) 6.25k front suspension and one of the following rear axles: (HD2) 13.5k rear axle, (HD1) 15k rear axle or (J27) 15.5k rear axle and (GR4) 13.5k rear suspension. (3) (FTA) 7k front axle and (FK6) 7k front suspension and (FN1) 10k rear axle or (GL4) 11k rear axle and (GR3) 11k rear suspension or (G40) 12K Rear air suspension. (4) (FTA) 7k front axle and (FK6) 7k front suspension and (HD1) 15k rear axle or (J27) 15.5k rear axle and one of the following rear suspensions: (GR4) 13.5k rear suspension, (FU7) 15.5k rear suspension, (GP1) 13.5K rear air suspension, (GP8) 15.5k rear air suspension, (91B) 13.5k LiquidSpring prep single volume rear suspension, (91C) 13.5k LiquidSpring prep stacked volume rear suspension, (91D) 15.5k LiquidSpring prep single volume rear suspension or (91E) 15.5k LiquidSpring prep stacked volume rear suspension.) (STD)

Emissions, 50 state certification

Emissions, USA 50 State certified

Engine, Duramax 6.6L Turbo-Diesel V8, B20-Diesel compatible 350 hp @ 2700 rpm, 700 lb.-ft. torque @ 1600 rpm (STD)

Highway Service Transmission, Automatic close-ratio 6 SPD with double overdrive, Allison, A1700HS ratios: 3.10 1ST, 1.80 2ND, 1.40 3RD, 1.00 4TH, 0.70 5TH, 0.61 6TH Highway Series, 19.5K GVW & 26K GCW Max., requires PTX and park pawl. Available with GVWs less than or equal to 19.5K (Requires (C7Y) 14,001 lb. GVWR, (C5B) 15,000 lb. GVWR, (C7P) 16,000 lb. GVWR, (C7R) 16,500 lb. GVWR, (GZX) 17,500 lb. GVWR, (GZJ) 18,000 lb. GVWR or (GZG) 19,500 lb. GVWR. Requires (R6G) 26,000 lb. GCWR (11,793 kg).) (STD)

Rear axle, 4.10 ratio Max road speed: 79 MPH

Wheelbase, 141" (358.1 cm), 60" CA (Requires (F0C) 49" axle to end of frame, (F0D) 63" axle to end of frame or (F0K) 91" axle to end of frame and (NPR) exhaust. Requires (PCJ) Vocational Specific Heavy Suspension Package, when ordering (FTA) 7,000 lb. Front axle/(FK6) 7,000 lb. Front suspension or (FTL) 8,000 lb. Front axle/(FSN) 8,000 lb. Front suspension and/or (FU7) 15,500 lb. rear suspension. Not available with rear air suspensions or (91B), (91C), (91D) or (91E) prep for LiquidSpring rear suspension.) (STD)

Front axle, 6,250 lb. (2,835 kg), Dana Spicer D800-N, "I"-beam, non-driving (Requires (FTW) 6,250 lb. front suspension. Includes (G68) rear shock absorbers. Not available with rear air suspensions.)

Front suspension, 6,250 lb. (2,835 kg) multi-leaf, includes shock absorbers (Not available with rear air suspensions.) (STD)

Rear axle, 11,000 lb. (4,999 kg) Dana Spicer S14-110, single reduction

Rear suspension, 11,000 lb. (4,990 kg) multi-leaf, vari-rate (Not available with air suspension.) (STD)

Neutral-at-Stop Automatic transmission shifts to neutral when the service brake is depressed while the vehicle is at a complete stop, and remains in neutral until the service brake is released

Transmission shift control calibration, fuel sense Performance

Rear wheel drive

Batteries, heavy-duty dual 1100 cold-cranking amps includes battery box mounted to left side under cab

Alternator, 150 amps

This document contains information considered Confidential between GM and its Clients uniquely. The information provided is not intended for public disclosure. Prices, specifications, and availability are subject to change without notice, and do not include certain fees, taxes and charges that may be required by law or vary by manufacturer or region. Performance figures are guidelines only, and actual performance may vary. Photos may not represent actual vehicles or exact configurations. Content based on report preparer's input is subject to the accuracy of the input provided.

Data Version: 17632. Data Updated: Oct 4, 2022 6:51:00 PM PDT.



Vehicle: [Fleet] 2023 Chevrolet Silverado MD (CC56403) 2WD Reg Cab Work Truck ( Complete )

## Mechanical

Trailering provisions, trailering wire harness only, trailer combined (Stop/Tail/Turn) connection socket and harness mounted at rear of frame.

Trailer brake controller, integrated

Incomplete vehicle

Axle to End of Frame, 49" (Requires wheelbase (ED5) 201", (ED9) 165", (ER2) 189" or (FQT) 141". Not available with (G40), (GP1) or (GP8) rear air suspension.)

Axle, Open rear axle, non-locking rear

Axle lubricant, rear, synthetic oil EmGard FE -75W-90

Shock Absorbers, rear (Included with (FTC) 6,250 lb. front axle.)

Steering, power (Bosch S2 8014 Plus)

Brakes, hydraulic, heavy duty Bosch/Meritor/Wabco system with 4-channel (ABS) (Includes (J69) driveline park brake.)

Fuel tank, rear only, 40 gallon mounted between frame side rails and behind rear axle

Fuel, diesel B20

Capped Fuel Fill

Exhaust system, right side exit, behind rear wheels (Requires (FQT) 141" wheelbase.)

Exhaust brake

## Exterior

Wheels, 19.5" x 6.75", steel, Black painted, 8-holes, hub piloted (STD)

Tires, front 225/70R19.5G highway blackwall Goodyear Max Axle Load: 7,940 lb. (Requires (YAL) Tires, rear 225/70R19.5G highway blackwall Goodyear, Max Axle Load: 15,000 lb. or (YMF) Tires, rear 225/70R19.5G traction blackwall Goodyear, Max Axle Load: 15,000 lb.) (STD)

Tires, rear 225/70R19.5G highway blackwall Goodyear Max Axle Load: 15,000 lb. (STD)

Spare tire delete (STD)

Wheel, spare delete

Bumper, front, Black

Assist steps

Front fender extension, painted body color

Grille, base, molded in color, Black

Grille guard screen, insect protection (mounted behind grille)

Headlamps, halogen projector-beam

Lamps, cargo area, cab mounted with switch on center switch bank

Lamps, Smoked Amber roof marker

This document contains information considered Confidential between GM and its Clients uniquely. The information provided is not intended for public disclosure. Prices, specifications, and availability are subject to change without notice, and do not include certain fees, taxes and charges that may be required by law or vary by manufacturer or region. Performance figures are guidelines only, and actual performance may vary. Photos may not represent actual vehicles or exact configurations. Content based on report preparer's input is subject to the accuracy of the input provided.

Data Version: 17632. Data Updated: Oct 4, 2022 6:51:00 PM PDT.





Vehicle: [Fleet] 2023 Chevrolet Silverado MD (CC56403) 2WD Reg Cab Work Truck ( Complete )

## Exterior

Lamps, rear, stop/turn/backup (1-piece assembly) with license plate light

Mirrors, outside high-visibility vertical camper-style, Black with manual folding and extension and lower convex spotter glass

Glass, solar absorbing, tinted

Antenna, fixed mast

Door handles, Black

## Entertainment

Audio system, 4.2" diagonal color display AM/FM stereo with USB port and auxiliary jack (Requires (AE7) front 40/20/40 split-bench seat. Not available with (UE1) OnStar or (U2K) SiriusXM Radio.) (STD)

SiriusXM, delete

Audio system feature, 4-speaker system

## Interior

Seats, front 40/20/40 split-bench, 3-passenger driver and front passenger recline with outboard head restraints and center fold-down armrest with storage. Vinyl has fixed lumbar and cloth has manually adjustable driver lumbar. (STD)

Interior trim, Jet Black/Dark Ash (Required and only available with (H2Q/H2R) Dark Ash seats with Jet Black interior accents.)

Seat trim, Vinyl

Seat Belt, Black

Floor covering, Graphite-colored rubberized-vinyl

Steering wheel, urethane

Steering column, manual Tilt-Wheel

Instrumentation, 6-gauge cluster featuring speedometer, fuel level, engine temperature, tachometer, voltage and oil pressure

Speedometer, miles/kilometers

Driver Information Center, 3.5-inch diagonal monochromatic display, provides warning messages and basic vehicle information

Upfitter switch kit provides up to 4-30 amp circuits to facilitate installation of aftermarket electrical accessories located on the instrument panel

Windows, manual driver and front passenger

Door locks, power

Cruise control, steering wheel-mounted

Air conditioning, single-zone

Mirror, inside rearview manual day/night

This document contains information considered Confidential between GM and its Clients uniquely. The information provided is not intended for public disclosure. Prices, specifications, and availability are subject to change without notice, and do not include certain fees, taxes and charges that may be required by law or vary by manufacturer or region. Performance figures are guidelines only, and actual performance may vary. Photos may not represent actual vehicles or exact configurations. Content based on report preparer's input is subject to the accuracy of the input provided.

Data Version: 17632. Data Updated: Oct 4, 2022 6:51:00 PM PDT.



Vehicle: [Fleet] 2023 Chevrolet Silverado MD (CC56403) 2WD Reg Cab Work Truck ( Complete )

### Interior

Visors, driver and front passenger, vinyl

Assist handle, front passenger and driver on A-pillars

### Safety-Mechanical

Brake, parking, driveline park brake system

StabiliTrak, Electronic Stability Control System with Traction Control includes Electronic Trailer Sway Control and Hill Start Assist

Traction control

### Safety-Exterior

Daytime Running Lamps, with automatic exterior lamp control

### Safety-Interior

Airbags, Single-stage frontal airbags for driver and front outboard passenger; Seat-mounted side-impact airbags for driver and front outboard passenger; Head-curtain airbags for front outboard seating positions; Includes airbag deactivation switch for front outboard passenger airbag (Always use seat belts and child restraints. Children are safer when properly secured in a rear seat in the appropriate child restraint. See the Owner's Manual for more information.)

Airbag deactivation switch, frontal passenger-side (Included and only available with (AY0) airbags.)

OnStar, delete

Rear Vision Camera, display integrated into Radio (Shipped loose in cab for upfitter installation.)

Horn, single-note

### WARRANTY

Warranty Note: <<< Preliminary 2023 Warranty >>>

Basic Years: 3

Basic Miles/km: 36,000

Drivetrain Years (Allison Basic): 5

Drivetrain Years: 5

Drivetrain Miles/km (Allison Basic): Unlimited

Drivetrain Miles/km: 100,000

Drivetrain Note: Duramax Diesel

Corrosion Years (Rust-Through): 6

Corrosion Years: 3

Corrosion Miles/km (Rust-Through): 100,000

Corrosion Miles/km: 36,000

Roadside Assistance Years: 5

Roadside Assistance Miles/km: 100,000

Maintenance Note: 1 Year/1 Visit

This document contains information considered Confidential between GM and its Clients uniquely. The information provided is not intended for public disclosure. Prices, specifications, and availability are subject to change without notice, and do not include certain fees, taxes and charges that may be required by law or vary by manufacturer or region. Performance figures are guidelines only, and actual performance may vary. Photos may not represent actual vehicles or exact configurations. Content based on report preparer's input is subject to the accuracy of the input provided.

Data Version: 17632. Data Updated: Oct 4, 2022 6:51:00 PM PDT.



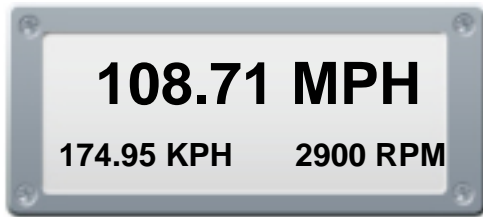
Vehicle: [Fleet] 2023 Chevrolet Silverado MD (CC56403) 2WD Reg Cab Work Truck ( Complete )

## Geared Road Speed

### SPECIFICATION SUMMARY

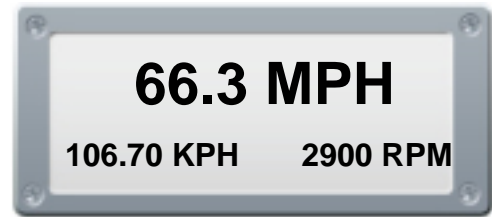
<b>Model #</b>	CC56403
<b>Engine Order Code</b>	L5D
Model Manufacturer	Duramax
Type	Turbocharged Diesel V8
Displacement	6.6L/402
Horsepower	350 @ 2700
Starting Torque	N/A
<b>Transmission Order Code</b>	MWB
Model Manufacturer	Allison
Type	6-Speed Automatic
<b>Rear Axle Order Code</b>	HD2
Model Manufacturer	A2700HS Allison
Weight Rating	13500 lbs
Ratio:1	4.10
<b>Rear Tires</b>	225/70R19.5G
<b>Revolutions/Mile Front</b>	640
<b>Revolutions/Mile Rear</b>	640
<b>Surface Type</b>	Concrete
<b>Desired Grade</b>	2%

Geared Road Speed



0% Grade in 4th gear

Actual Loaded Speed



2% Grade in 4th gear

Note: Simulated speedometer appearance may not correspond with selected equipment.

This document contains information considered Confidential between GM and its Clients uniquely. The information provided is not intended for public disclosure. Prices, specifications, and availability are subject to change without notice, and do not include certain fees, taxes and charges that may be required by law or vary by manufacturer or region. Performance figures are guidelines only, and actual performance may vary. Photos may not represent actual vehicles or exact configurations. Content based on report preparer's input is subject to the accuracy of the input provided.

Data Version: 17632. Data Updated: Oct 4, 2022 6:51:00 PM PDT.

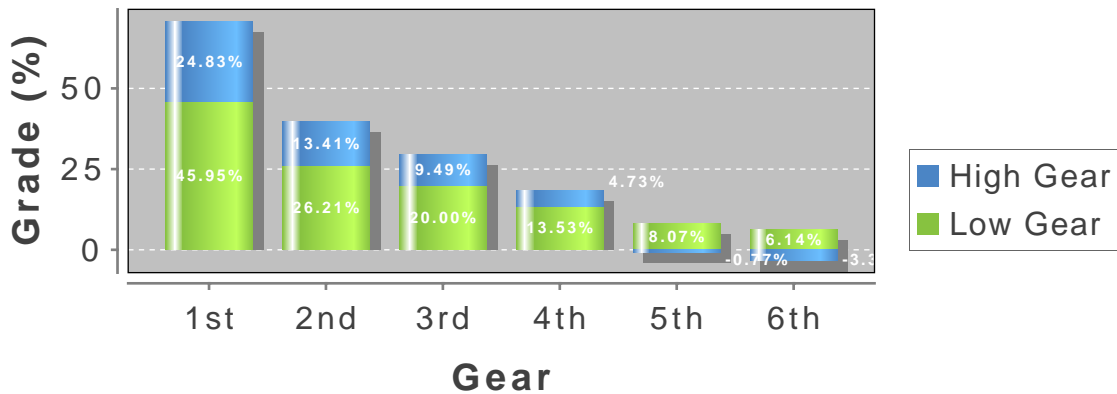


Vehicle: [Fleet] 2023 Chevrolet Silverado MD (CC56403) 2WD Reg Cab Work Truck (✔ Complete)

## Gradeability Chart

### SPECIFICATION SUMMARY

<b>Model #</b>	CC56403
<b>Engine Order Code</b>	L5D
Model Manufacturer	Duramax
Type	Turbocharged Diesel V8
Displacement	6.6L/402
Horsepower	350 @ 2700
Starting Torque	N/A
<b>Transmission Order Code</b>	MWB
Model Manufacturer	Allison
Type	6-Speed Automatic
<b>Rear Axle Order Code</b>	HD2
Model Manufacturer	A2700HS Allison
Weight Rating	13500 lbs
Ratio:1	4.10
<b>Rear Tires</b>	225/70R19.5G
<b>Revolutions/Mile Front</b>	640
<b>Revolutions/Mile Rear</b>	640
<b>Surface Type</b>	Concrete
<b>Desired Grade</b>	2%



This document contains information considered Confidential between GM and its Clients uniquely. The information provided is not intended for public disclosure. Prices, specifications, and availability are subject to change without notice, and do not include certain fees, taxes and charges that may be required by law or vary by manufacturer or region. Performance figures are guidelines only, and actual performance may vary. Photos may not represent actual vehicles or exact configurations. Content based on report preparer's input is subject to the accuracy of the input provided.

Data Version: 17632. Data Updated: Oct 4, 2022 6:51:00 PM PDT.



Vehicle: [Fleet] 2023 Chevrolet Silverado MD (CC56403) 2WD Reg Cab Work Truck ( Complete )

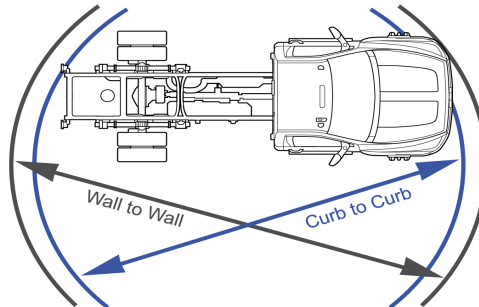
## Turning Circle

### SPECIFICATION SUMMARY

<b>Model #</b>	CC56403
<b>Front Axle Order Code</b>	FTL
Capacity (lbs)	8000 lbs
<b>Wheelbase Order Code</b>	FQT
Wheelbase (in)	141 in
<b>Front Wheel Order Code</b>	
Size/Type (in)	19.5 x 6.75 in
<b>Front Tire Order Code</b>	XDK
Size/Type	225/70R19.5G

#### Wall to Wall (ft): 42.8 ft

Wall to Wall diameter is measured from the outermost part of the cab.



#### Curb to Curb (ft): 41.2 ft

Curb to Curb diameter is measured from the outside of the front tire.

This document contains information considered Confidential between GM and its Clients uniquely. The information provided is not intended for public disclosure. Prices, specifications, and availability are subject to change without notice, and do not include certain fees, taxes and charges that may be required by law or vary by manufacturer or region. Performance figures are guidelines only, and actual performance may vary. Photos may not represent actual vehicles or exact configurations. Content based on report preparer's input is subject to the accuracy of the input provided.

Data Version: 17632. Data Updated: Oct 4, 2022 6:51:00 PM PDT.