



Vehicle: [Fleet] 2023 Chevrolet Silverado MD (CC56043) 2WD Crew Cab Work Truck





Vehicle: [Fleet] 2023 Chevrolet Silverado MD (CC56043) 2WD Crew Cab Work Truck ( Complete )

## Technical Specifications

### Powertrain

#### Transmission

Drivetrain	Rear Wheel Drive	Trans Order Code	MWA
Trans Type	6	Trans Description Cont.	Automatic
Trans Description Cont. Again	N/A	First Gear Ratio (:1)	3.10
Second Gear Ratio (:1)	1.80	Third Gear Ratio (:1)	1.40
Fourth Gear Ratio (:1)	1.00	Fifth Gear Ratio (:1)	0.70
Sixth Gear Ratio (:1)	0.61	Reverse Ratio (:1)	N/A
Clutch Size	N/A	Trans Power Take Off	N/A
Final Drive Axle Ratio (:1)	N/A	Transfer Case Model	N/A
Transfer Case Power Take Off	N/A	Second Reverse Gear Ratio (:1)	N/A
Third Reverse Gear Ratio (:1)	N/A	Fourth Reverse Gear Ratio (:1)	N/A
Fifth Reverse Gear Ratio (:1)	N/A	Sixth Reverse Gear Ratio (:1)	N/A
Transmission Manufacturer	Allison	Transmission Type	A1700HS Allison

#### Engine

Engine Order Code	L5D	Engine Type	Turbocharged Diesel V8
Displacement	6.6L/402	Fuel System	Direct Injection
SAE Net Horsepower @ RPM	350 @ 2700	SAE Net Torque @ RPM	700 @ 1600
Engine Oil Cooler	Yes	Governed Engine Speed (RPM)	2900
Engine Series	Duramax		

#### Electrical

Cold Cranking Amps @ 0° F (Primary)	1100	Cold Cranking Amps @ 0° F (2nd)	1100
Cold Cranking Amps @ 0° F (3rd)	N/A	Maximum Alternator Capacity (amps)	150

#### Cooling System

Total Cooling System Capacity	48 qts
-------------------------------	--------

This document contains information considered Confidential between GM and its Clients uniquely. The information provided is not intended for public disclosure. Prices, specifications, and availability are subject to change without notice, and do not include certain fees, taxes and charges that may be required by law or vary by manufacturer or region. Performance figures are guidelines only, and actual performance may vary. Photos may not represent actual vehicles or exact configurations. Content based on report preparer's input is subject to the accuracy of the input provided.

Data Version: 17632. Data Updated: Oct 4, 2022 6:51:00 PM PDT.



Vehicle: [Fleet] 2023 Chevrolet Silverado MD (CC56043) 2WD Crew Cab Work Truck ( Complete )

**Vehicle**

**Vehicle**

Axle Ratio - Low Rear (:1)	N/A	As Spec Curb Weight - Front	5098.00 lbs
As Spec Curb Weight - Rear	3153.00 lbs		

**Chassis**

**Weight Information**

Standard Weight - Front	0.00 lbs	Standard Weight - Rear	0.00 lbs
Total Weight	8601.00 lbs	Gross Axle Wt Rating - Front	7000 lbs
Gross Axle Wt Rating - Rear	11000 lbs	Curb Weight - Front	5098 lbs
Curb Weight - Rear	3153 lbs	Option Weight - Front	0.00 lbs
Option Weight - Rear	0.00 lbs	Reserve Axle Capacity - Front	1552.00 lbs
Reserve Axle Capacity - Rear	7847.00 lbs	As Spec'd Curb Weight	8251.00 lbs
As Spec'd Payload	9249.00 lbs	Gross Combined Wt Rating	26000 lbs
Cargo Weight	0.00 lbs	Gross Vehicle Weight	8601.00 lbs
Axle Weight	8601.00 lbs	Gross Axle Weight Rating	18000.00 lbs
Curb Weight	8251.00 lbs	Reserve Axle Capacity	9399.00 lbs
Total Option Weight	0.00 lbs	Payload Weight Front	0.00 lbs
Payload Weight Rear	0.00 lbs	Maximum Axle Rating Front	7000.00 lbs
Maximum Axle Rating Rear	11000.00 lbs	Maximum Axle Rating Total	18000.00 lbs
Gross Vehicle Weight Rating	17500.00 lbs	Front PayLoad	350.00 lbs
Rear Payload	0.00 lbs	Total Payload Weight (Cargo + Driver + Body)	350.00 lbs

**Frame**

Frame Type	High Strength Low Alloy Steel	Sect Modulus Rails Only	8.08 Front/10.93 Belly/8.47 Rear in <sup>3</sup>
Frame RBM	404000 Front/546500 Belly/423500 Rear	Frame Strength	50000 lbs
Frame Thickness	0.3125 in		

**Suspension**

Suspension Type - Front	Multi-Leaf	Suspension Type - Rear	Multi-Leaf
-------------------------	------------	------------------------	------------

This document contains information considered Confidential between GM and its Clients uniquely. The information provided is not intended for public disclosure. Prices, specifications, and availability are subject to change without notice, and do not include certain fees, taxes and charges that may be required by law or vary by manufacturer or region. Performance figures are guidelines only, and actual performance may vary. Photos may not represent actual vehicles or exact configurations. Content based on report preparer's input is subject to the accuracy of the input provided.

Data Version: 17632. Data Updated: Oct 4, 2022 6:51:00 PM PDT.



Vehicle: [Fleet] 2023 Chevrolet Silverado MD (CC56043) 2WD Crew Cab Work Truck ( Complete )

## Chassis

### Suspension

Spring Capacity - Front	7000 lbs	Spring Capacity - Rear	11000 lbs
Axle Type - Front	I-Beam	Axle Type - Rear	Single Reduction
Axle Capacity - Front	7000 lbs	Axle Capacity - Rear	11000 lbs
Axle Ratio (:1) - Front	N/A	Axle Ratio (:1) - Rear	4.10
Shock Absorber Diameter - Front	51 mm	Shock Absorber Diameter - Rear	N/A
Stabilizer Bar Diameter - Front	N/A	Stabilizer Bar Diameter - Rear	N/A

### Tires

Front Tire Order Code	XDK	Rear Tire Order Code	YAL
Spare Tire Order Code	N/A	Front Tire Size	225/70R19.5G
Rear Tire Size	225/70R19.5G	Spare Tire Size	N/A
Front Tire Capacity	7940 lbs	Rear Tire Capacity	15000 lbs
Spare Tire Capacity	N/A	Revolutions/Mile @ 45 mph - Front	640
Revolutions/Mile @ 45 mph - Rear	640	Revolutions/Mile @ 45 mph - Spare	N/A
Tire Rating Total	22940.00		

### Wheels

Front Wheel Size	19.5 x 6.75 in	Rear Wheel Size	19.5 x 6.75 in
Spare Wheel Size	N/A	Front Wheel Material	Steel
Rear Wheel Material	Steel	Spare Wheel Material	N/A
Front Bolt Pattern	8 Hole JIS 10.83"	Rear Bolt Pattern	8 Hole JIS 10.83"
Spare Bolt Pattern	N/A		

### Steering

Steering Type	Pwr	Steering Ratio (:1), On Center	16.6
Steering Ratio (:1), At Lock	19.6	Turning Diameter - Curb to Curb	49.7 ft
Turning Diameter - Wall to Wall	51.3 ft		

### Brakes

Brake Type	Pwr	Brake ABS System	4-Wheel
Brake ABS System (Second Line)	N/A	Disc - Front (Yes or )	Yes

This document contains information considered Confidential between GM and its Clients uniquely. The information provided is not intended for public disclosure. Prices, specifications, and availability are subject to change without notice, and do not include certain fees, taxes and charges that may be required by law or vary by manufacturer or region. Performance figures are guidelines only, and actual performance may vary. Photos may not represent actual vehicles or exact configurations. Content based on report preparer's input is subject to the accuracy of the input provided.

Data Version: 17632. Data Updated: Oct 4, 2022 6:51:00 PM PDT.



Vehicle: [Fleet] 2023 Chevrolet Silverado MD (CC56043) 2WD Crew Cab Work Truck ( Complete )

## Chassis

### Brakes

Disc - Rear (Yes or )	Yes	Front Brake Rotor Diam x Thickness	15.375 x 1.625 in
Rear Brake Rotor Diam x Thickness	15.375 x 1.625 in	Drum - Front (Yes or )	N/A
Front Drum Diam x Width	N/A	Drum - Rear (Yes or )	N/A
Rear Drum Diam x Width	N/A		

### Fuel Tank

Fuel Tank Capacity, Approx	40 gal	Aux Fuel Tank Capacity, Approx	N/A
Fuel Tank Location	Behind Rear Axle	Aux Fuel Tank Location	N/A

### Trailer

Trailer Weight	0.0 lbs
----------------	---------

## Dimensions

### Interior Dimensions

Passenger Capacity	6	Front Head Room	42.8 in
Front Leg Room	45.28 in	Front Shoulder Room	64.84 in
Front Hip Room	60.75 in	Second Head Room	40.51 in
Second Leg Room	40.94 in	Second Shoulder Room	64.33 in
Second Hip Room	60.24 in		

### Exterior Dimensions

Wheelbase	175 in	Length, Overall w/o rear bumper	N/A
Length, Overall	258.7 in	Width, Max w/o mirrors	92.7 in
Height, Overall	83.04 in	Overhang, Front	34.4 in
Overhang, Rear w/o bumper	49 in	Front Bumper to Back of Cab	149.48 in
Cab to Axle	60 in	Cab to End of Frame	109.2 in
Ground to Top of Load Floor	N/A	Ground to Top of Frame	N/A
Frame Width, Rear	34.1 in	Ground Clearance, Front	N/A
Ground Clearance, Rear	N/A	Body Length	0.0 ft
Cab to Body	3.0 in	Frontal Area	ft <sup>2</sup>

This document contains information considered Confidential between GM and its Clients uniquely. The information provided is not intended for public disclosure. Prices, specifications, and availability are subject to change without notice, and do not include certain fees, taxes and charges that may be required by law or vary by manufacturer or region. Performance figures are guidelines only, and actual performance may vary. Photos may not represent actual vehicles or exact configurations. Content based on report preparer's input is subject to the accuracy of the input provided.

Data Version: 17632. Data Updated: Oct 4, 2022 6:51:00 PM PDT.



Vehicle: [Fleet] 2023 Chevrolet Silverado MD (CC56043) 2WD Crew Cab Work Truck ( Complete )

**Medium Duty**

**Medium Duty Performance**

Front Axle %	63.34	Rear Axle %	36.66
Driver Weight	350.0 lbs	Front Ground Load	5448.00 lbs
Rear Ground Load	3153.00 lbs	1st gear High Speed (High Axle Gear)	21.39 MPH
2nd gear High Speed (High Axle Gear)	36.84 MPH	3rd gear High Speed (High Axle Gear)	47.36 MPH
4th gear High Speed (High Axle Gear)	66.31 MPH	5th gear High Speed (High Axle Gear)	94.73 MPH
6th gear High Speed (High Axle Gear)	108.71 MPH	1st gear Low Speed (High Axle Gear)	11.80 MPH
2nd gear Low Speed (High Axle Gear)	20.33 MPH	3rd gear Low Speed (High Axle Gear)	26.13 MPH
4th gear Low Speed (High Axle Gear)	36.59 MPH	5th gear Low Speed (High Axle Gear)	52.26 MPH
6th gear Low Speed (High Axle Gear)	59.98 MPH	1st gear High Speed (Low Axle Gear)	N/A
2nd gear High Speed (Low Axle Gear)	N/A	3rd gear High Speed (Low Axle Gear)	N/A
4th gear High Speed (Low Axle Gear)	N/A	5th gear High Speed (Low Axle Gear)	N/A
6th gear High Speed (Low Axle Gear)	N/A	1st gear Low Speed (Low Axle Gear)	N/A
2nd gear Low Speed (Low Axle Gear)	N/A	3rd gear Low Speed (Low Axle Gear)	N/A
4th gear Low Speed (Low Axle Gear)	N/A	5th gear Low Speed (Low Axle Gear)	N/A
6th gear Low Speed (Low Axle Gear)	N/A	Reduction	22.42
Torque @ Clutch Engage	N/A	Starting Grade Index	N/A
1st Gear Tractive Effort (High Axle Gear)	5921.84	2nd Gear Tractive Effort (High Axle Gear)	3438.49
3rd Gear Tractive Effort (High Axle Gear)	2674.38	4th Gear Tractive Effort (High Axle Gear)	1910.27
5th Gear Tractive Effort (High Axle Gear)	1337.19	6th Gear Tractive Effort (High Axle Gear)	1165.27
1st Gear Tractive Effort (Low Axle Gear)	N/A	2nd Gear Tractive Effort (Low Axle Gear)	N/A
3rd Gear Tractive Effort (Low Axle Gear)	N/A	4th Gear Tractive Effort (Low Axle Gear)	N/A
5th Gear Tractive Effort (Low Axle Gear)	N/A	6th Gear Tractive Effort (Low Axle Gear)	N/A
1st Gear Gradeability (High Axle Gear)	30.63	2nd Gear Gradeability (High Axle Gear)	16.63
3rd Gear Gradeability (High Axle Gear)	11.82	4th Gear Gradeability (High Axle Gear)	5.99
5th Gear Gradeability (High Axle Gear)	-0.73	6th Gear Gradeability (High Axle Gear)	-3.91
1st Gear Gradeability (Low Axle Gear)	56.57	2nd Gear Gradeability (Low Axle Gear)	32.33
3rd Gear Gradeability (Low Axle Gear)	24.71	4th Gear Gradeability (Low Axle Gear)	16.77
5th Gear Gradeability (Low Axle Gear)	10.08	6th Gear Gradeability (Low Axle Gear)	7.72
Geared Road Speed	108.71 MPH	Actual Loaded Speed	66.3 MPH In 4th Hi @ 2900 RPM

This document contains information considered Confidential between GM and its Clients uniquely. The information provided is not intended for public disclosure. Prices, specifications, and availability are subject to change without notice, and do not include certain fees, taxes and charges that may be required by law or vary by manufacturer or region. Performance figures are guidelines only, and actual performance may vary. Photos may not represent actual vehicles or exact configurations. Content based on report preparer's input is subject to the accuracy of the input provided.

Data Version: 17632. Data Updated: Oct 4, 2022 6:51:00 PM PDT.



Vehicle: [Fleet] 2023 Chevrolet Silverado MD (CC56043) 2WD Crew Cab Work Truck (✔ Complete)

## Medium Duty

### Medium Duty Performance

		MPH	
Grade (%)	2.0	Maximum Speed Gradeability	15.95% @ 2539 RPM @ 79 MPH
Torque Converter	1.764	Maximum Capacity @ 0° F	2200.00
% of Body on Front Axle	32.57	% of Body on Rear Axle	67.43
Body Weight Front	0.00 lbs	Body Weight Rear	0.00 lbs
Actual Loaded Speed (First Part, MPH)	66.3 MPH	Actual Loaded Speed (Second Part, RPM)	2900
Actual Loaded Speed (Third Part, Gear)	4	Road Type	Concrete
Body Weight	0.0 lbs	Driver Weight Front	350.00 lbs
Driver Weight Rear	0.00 lbs	Medium Duty Body Type	None
Front Total Load	5448.00 lbs	Rear Total Load	3153.00 lbs

This document contains information considered Confidential between GM and its Clients uniquely. The information provided is not intended for public disclosure. Prices, specifications, and availability are subject to change without notice, and do not include certain fees, taxes and charges that may be required by law or vary by manufacturer or region. Performance figures are guidelines only, and actual performance may vary. Photos may not represent actual vehicles or exact configurations. Content based on report preparer's input is subject to the accuracy of the input provided.

Data Version: 17632. Data Updated: Oct 4, 2022 6:51:00 PM PDT.

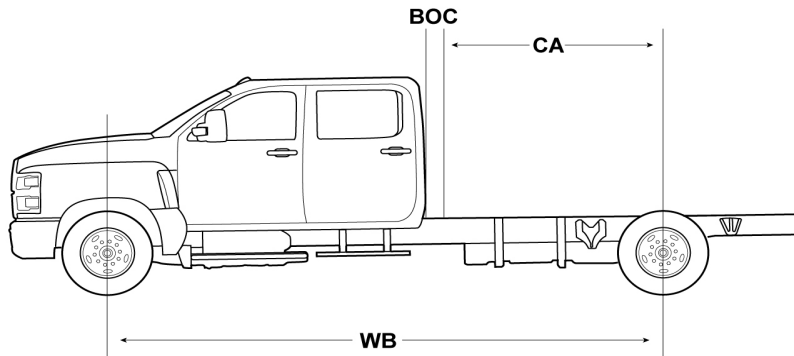


Vehicle: [Fleet] 2023 Chevrolet Silverado MD (CC56043) 2WD Crew Cab Work Truck (  Complete )

## Weight Distribution

### SPECIFICATION SUMMARY

Model #	CC56043
Truck/Tractor	
Wheelbase (WB)	175 in
Cab to Axle (CA)	60 in
Cab to Body/Swing Clear (BOC)	3.0 in
Body Length	0.0 ft
Body Weight	0.0 lbs
Cargo Weight	0.00 lbs
Front GAWR	7000 lbs
Rear GAWR	11000 lbs
GVWR	17500.00 lbs



CA: 60 in  
 BOC: 3.0 in  
 WB: 175 in

**Fr%: 63.34**  
**Front Wt: 5448.00 lbs**

**Rr%: 36.66**  
**Rear Wt: 3153.00 lbs**


GAWR/GVWR	GVW	Remaining Payload Wt
17500.00 lbs	8601.00 lbs	8,899.00 lbs

This document contains information considered Confidential between GM and its Clients uniquely. The information provided is not intended for public disclosure. Prices, specifications, and availability are subject to change without notice, and do not include certain fees, taxes and charges that may be required by law or vary by manufacturer or region. Performance figures are guidelines only, and actual performance may vary. Photos may not represent actual vehicles or exact configurations. Content based on report preparer's input is subject to the accuracy of the input provided.

Data Version: 17632. Data Updated: Oct 4, 2022 6:51:00 PM PDT.





Vehicle: [Fleet] 2023 Chevrolet Silverado MD (CC56043) 2WD Crew Cab Work Truck (  Complete )

## Weight Distribution

### SPECIFICATION DETAILS

	Front Axle	Rear Axle	Total
<b>Actual</b>			
Chassis	5098.00 lbs	3153.00 lbs	8251.00 lbs
Body	0.00 lbs	0.00 lbs	0.0 lbs
Payload	0.00 lbs	0.00 lbs	0.00 lbs
Trailer			0.0 lbs
Totals	5448.00 lbs	3153.00 lbs	8601.00 lbs
<b>Capacity</b>			
Axle	7000 lbs	11000 lbs	18000.00 lbs
Suspension	7000 lbs	11000 lbs	18,000.00 lbs
Tire	7940 lbs	15000 lbs	22940.00
Total Axle Rating	7000.00 lbs	11000.00 lbs	18000.00 lbs

This document contains information considered Confidential between GM and its Clients uniquely. The information provided is not intended for public disclosure. Prices, specifications, and availability are subject to change without notice, and do not include certain fees, taxes and charges that may be required by law or vary by manufacturer or region. Performance figures are guidelines only, and actual performance may vary. Photos may not represent actual vehicles or exact configurations. Content based on report preparer's input is subject to the accuracy of the input provided.

Data Version: 17632. Data Updated: Oct 4, 2022 6:51:00 PM PDT.



Vehicle: [Fleet] 2023 Chevrolet Silverado MD (CC56043) 2WD Crew Cab Work Truck ( Complete )

## Selected Model and Options

MODEL		
CODE	MODEL	MSRP
CC56043	2023 Chevrolet Silverado MD 2WD Crew Cab Work Truck	\$59,705.00

COLORS	
CODE	DESCRIPTION
G7C	Red Hot

MODEL OPTION				
CODE	DESCRIPTION	FRONT WEIGHT	REAR WEIGHT	MSRP
R7N	5500 HD Series (Included and only available with (GZX) 17,500 lb. GVWR, (GZJ) 18,000 lb. GVWR or (GZG) 19,500 lb. GVWR.)	0.00 lbs	0.00 lbs	Inc.

GVWR				
CODE	DESCRIPTION	FRONT WEIGHT	REAR WEIGHT	MSRP
GZX	GVWR, 17,500 lb. (7938 kg) (Silverado 5500 HD 2WD Crew Cab models require one of the following combinations: (1) (FTA) 7k front axle and (FK6) 7k front suspension and (GL4) 11k rear axle and (GR3) 11k rear suspension or (G40) 12k Rear air suspension. (2) (FTA) 7k front axle and (FK6) 7k front suspension and (HD2) 13.5k rear axle and one of the following rear suspensions: (GR4) 13.5k rear suspension, (G40) 12k Rear air suspension, (GP1) 13.5k Rear air suspension, (91B) 13.5k LiquidSpring prep single volume rear suspension or (91C) 13.5k LiquidSpring prep stacked volume rear suspension. (3) (FTA) 7k front axle and (FK6) 7k front suspension and (HD1) 15k rear axle or (J27) 15.5k rear axle and one of the following rear suspensions: (GR4) 13.5k rear suspension, (FU7) 15.5k rear suspension, (GP1) 13.5K rear air suspension, (GP8) 15.5k rear air suspension, (91B) 13.5k LiquidSpring prep single volume rear suspension, (91C) 13.5k LiquidSpring prep stacked volume rear suspension, (91D) 15.5k LiquidSpring prep single volume rear suspension or (91E) 15.5k LiquidSpring prep stacked volume rear suspension.)	0.00 lbs	0.00 lbs	\$1,100.00

REQUIRED OPTION				
CODE	DESCRIPTION	FRONT WEIGHT	REAR WEIGHT	MSRP
R6G	26,000 lb. GCWR (11,793 kg) (Requires 26k GCWR transmission (MWA, MWB, MIU, MIA, MH1, MG0, MIX, MF0, MA6 or MB6).)	0.00 lbs	0.00 lbs	\$0.00

This document contains information considered Confidential between GM and its Clients uniquely. The information provided is not intended for public disclosure. Prices, specifications, and availability are subject to change without notice, and do not include certain fees, taxes and charges that may be required by law or vary by manufacturer or region. Performance figures are guidelines only, and actual performance may vary. Photos may not represent actual vehicles or exact configurations. Content based on report preparer's input is subject to the accuracy of the input provided.

Data Version: 17632. Data Updated: Oct 4, 2022 6:51:00 PM PDT.



Vehicle: [Fleet] 2023 Chevrolet Silverado MD (CC56043) 2WD Crew Cab Work Truck ( Complete )

### ENGINE

CODE	DESCRIPTION	FRONT WEIGHT	REAR WEIGHT	MSRP
L5D	Engine, Duramax 6.6L Turbo-Diesel V8, B20-Diesel compatible 350 hp @ 2700 rpm, 700 lb.-ft. torque @ 1600 rpm (STD)	0.00 lbs	0.00 lbs	\$0.00

### POWER TAKE OFF

CODE	DESCRIPTION	FRONT WEIGHT	REAR WEIGHT	MSRP
PTX	Power Take-Off (PTO), not installed	0.00 lbs	0.00 lbs	\$0.00

### TRANSMISSION

CODE	DESCRIPTION	FRONT WEIGHT	REAR WEIGHT	MSRP
MWA	Highway Service Transmission, Automatic close-ratio 6 SPD with double overdrive, Allison, A1700HS ratios: 3.10 1ST, 1.80 2ND, 1.40 3RD, 1.00 4TH, 0.70 5TH, 0.61 6TH Highway Series, 19.5K GVW & 26K GCW Max., requires PTX and park pawl. Available with GVWs less than or equal to 19.5K (Requires (C7Y) 14,001 lb. GVWR, (C5B) 15,000 lb. GVWR, (C7P) 16,000 lb. GVWR, (C7R) 16,500 lb. GVWR, (GZX) 17,500 lb. GVWR, (GZJ) 18,000 lb. GVWR or (GZG) 19,500 lb. GVWR. Requires (R6G) 26,000 lb. GCWR (11,793 kg.) (STD)	0.00 lbs	0.00 lbs	\$0.00

### AXLE

CODE	DESCRIPTION	FRONT WEIGHT	REAR WEIGHT	MSRP
066	Rear axle, 4.10 ratio Max road speed: 79 MPH	0.00 lbs	0.00 lbs	\$0.00

### FRONT AXLE

CODE	DESCRIPTION	FRONT WEIGHT	REAR WEIGHT	MSRP
FTA	Front axle, 7,000 lb., Dana Spicer D800-N, "I"-beam, non-driving (Requires (FK6) 7,000 lb. (3,175 kg) front suspension.)	0.00 lbs	0.00 lbs	\$0.00

### FRONT SUSPENSION

CODE	DESCRIPTION	FRONT WEIGHT	REAR WEIGHT	MSRP
FK6	Front suspension, 7,000 lb. (3,175 kg) multi-leaf, includes shock absorbers (STD)	0.00 lbs	0.00 lbs	\$0.00

This document contains information considered Confidential between GM and its Clients uniquely. The information provided is not intended for public disclosure. Prices, specifications, and availability are subject to change without notice, and do not include certain fees, taxes and charges that may be required by law or vary by manufacturer or region. Performance figures are guidelines only, and actual performance may vary. Photos may not represent actual vehicles or exact configurations. Content based on report preparer's input is subject to the accuracy of the input provided.

Data Version: 17632. Data Updated: Oct 4, 2022 6:51:00 PM PDT.



Vehicle: [Fleet] 2023 Chevrolet Silverado MD (CC56043) 2WD Crew Cab Work Truck ( Complete )

#### REAR AXLE

CODE	DESCRIPTION	FRONT WEIGHT	REAR WEIGHT	MSRP
GL4	Rear axle, 11,000 lb. (4,999 kg) Dana Spicer S14-110, single reduction	0.00 lbs	0.00 lbs	\$0.00

#### REAR SUSPENSION

CODE	DESCRIPTION	FRONT WEIGHT	REAR WEIGHT	MSRP
GR3	Rear suspension, 11,000 lb. (4,990 kg) multi-leaf, vari-rate (Not available with air suspension.) (STD)	0.00 lbs	0.00 lbs	\$0.00

#### WHEELBASE

CODE	DESCRIPTION	FRONT WEIGHT	REAR WEIGHT	MSRP
FNV	Wheelbase, 175" (444.5 cm), 60" CA (Requires (FOC) 49" axle to end of frame. Not available with (G40) 12,000 lb., (GP1) 13,500 lb. or (GP8) 15,500 lb. rear air suspension, or (NPK) Exhaust System.) (STD)	0.00 lbs	0.00 lbs	\$0.00

#### PREFERRED EQUIPMENT GROUP

CODE	DESCRIPTION	FRONT WEIGHT	REAR WEIGHT	MSRP
1WT	Work Truck Preferred Equipment Group includes standard equipment	0.00 lbs	0.00 lbs	\$0.00

#### WHEEL TYPE

CODE	DESCRIPTION	FRONT WEIGHT	REAR WEIGHT	MSRP
PWQ	Wheels, 19.5" x 6.75", steel, Black painted, 8-holes, hub piloted (STD)	0.00 lbs	0.00 lbs	\$0.00

#### FRONT TIRES

CODE	DESCRIPTION	FRONT WEIGHT	REAR WEIGHT	MSRP
XDK	Tires, front 225/70R19.5G highway blackwall Goodyear Max Axle Load: 7,940 lb. (Requires (YAL) Tires, rear 225/70R19.5G highway blackwall Goodyear, Max Axle Load: 15,000 lb. or (YMF) Tires, rear 225/70R19.5G traction blackwall Goodyear, Max Axle Load: 15,000 lb.) (STD)	0.00 lbs	0.00 lbs	\$0.00

This document contains information considered Confidential between GM and its Clients uniquely. The information provided is not intended for public disclosure. Prices, specifications, and availability are subject to change without notice, and do not include certain fees, taxes and charges that may be required by law or vary by manufacturer or region. Performance figures are guidelines only, and actual performance may vary. Photos may not represent actual vehicles or exact configurations. Content based on report preparer's input is subject to the accuracy of the input provided.

Data Version: 17632. Data Updated: Oct 4, 2022 6:51:00 PM PDT.



Vehicle: [Fleet] 2023 Chevrolet Silverado MD (CC56043) 2WD Crew Cab Work Truck ( Complete )

#### REAR TIRES

CODE	DESCRIPTION	FRONT WEIGHT	REAR WEIGHT	MSRP
YAL	Tires, rear 225/70R19.5G highway blackwall Goodyear Max Axle Load: 15,000 lb. (STD)	0.00 lbs	0.00 lbs	\$0.00

#### SPARE TIRE

CODE	DESCRIPTION	FRONT WEIGHT	REAR WEIGHT	MSRP
9L3	Spare tire delete (STD)	0.00 lbs	0.00 lbs	\$0.00

#### PAINT SCHEME

CODE	DESCRIPTION	FRONT WEIGHT	REAR WEIGHT	MSRP
ZY1	Paint, solid	0.00 lbs	0.00 lbs	\$0.00

#### PAINT

CODE	DESCRIPTION	FRONT WEIGHT	REAR WEIGHT	MSRP
G7C	Red Hot	0.00 lbs	0.00 lbs	\$0.00

#### SEAT TYPE

CODE	DESCRIPTION	FRONT WEIGHT	REAR WEIGHT	MSRP
AE7	Seats, front 40/20/40 split-bench, 3-passenger driver and front passenger recline with outboard head restraints and center fold-down armrest with storage. Vinyl has fixed lumbar and cloth has manually adjustable driver lumbar. (STD)	0.00 lbs	0.00 lbs	\$0.00

#### SEAT TRIM

CODE	DESCRIPTION	FRONT WEIGHT	REAR WEIGHT	MSRP
H2Q	Dark Ash seats with Jet Black interior accents, Vinyl seat trim	0.00 lbs	0.00 lbs	\$0.00

This document contains information considered Confidential between GM and its Clients uniquely. The information provided is not intended for public disclosure. Prices, specifications, and availability are subject to change without notice, and do not include certain fees, taxes and charges that may be required by law or vary by manufacturer or region. Performance figures are guidelines only, and actual performance may vary. Photos may not represent actual vehicles or exact configurations. Content based on report preparer's input is subject to the accuracy of the input provided.

Data Version: 17632. Data Updated: Oct 4, 2022 6:51:00 PM PDT.



Vehicle: [Fleet] 2023 Chevrolet Silverado MD (CC56043) 2WD Crew Cab Work Truck ( Complete )

RADIO				
CODE	DESCRIPTION	FRONT WEIGHT	REAR WEIGHT	MSRP
IO3	Audio system, 4.2" diagonal color display AM/FM stereo with USB port and auxiliary jack (Requires (AE7) front 40/20/40 split-bench seat. Not available with (UE1) OnStar or (U2K) SiriusXM Radio.) (STD)	0.00 lbs	0.00 lbs	\$0.00
<b>Options Total</b>		<b>0.00 lbs</b>	<b>0.00 lbs</b>	<b>\$1,100.00</b>
As Specified Curb Weight		5098.00 lbs	3153.00 lbs	

This document contains information considered Confidential between GM and its Clients uniquely. The information provided is not intended for public disclosure. Prices, specifications, and availability are subject to change without notice, and do not include certain fees, taxes and charges that may be required by law or vary by manufacturer or region. Performance figures are guidelines only, and actual performance may vary. Photos may not represent actual vehicles or exact configurations. Content based on report preparer's input is subject to the accuracy of the input provided.

Data Version: 17632. Data Updated: Oct 4, 2022 6:51:00 PM PDT.



Vehicle: [Fleet] 2023 Chevrolet Silverado MD (CC56043) 2WD Crew Cab Work Truck ( Complete )

## Standard Equipment

### Mechanical

GVWR, 16,500 lb. (7484 kg) (Silverado 4500 HD 2WD Crew Cab models require one of the following combinations: (1) (FTA) 7k front axle and (FK6) 7k front suspension and (FN1) 10k rear axle or (GL4) 11k rear axle and (GR3) 11k rear suspension or (G40) 12K Rear air suspension. (2) (FTA) 7k front axle and (FK6) 7k front suspension and (HD1) 15k rear axle or (J27) 15.5k rear axle and one of the following rear suspensions: (GR4) 13.5k rear suspension, (FU7) 15.5k rear suspension, (GP1) 13.5K rear air suspension, (GP8) 15.5k rear air suspension, (91B) 13.5k LiquidSpring prep single volume rear suspension, (91C) 13.5k LiquidSpring prep stacked volume rear suspension, (91D) 15.5k LiquidSpring prep single volume rear suspension or (91E) 15.5k LiquidSpring prep stacked volume rear suspension.) (STD)

Emissions, 50 state certification

Emissions, USA 50 State certified

Engine, Duramax 6.6L Turbo-Diesel V8, B20-Diesel compatible 350 hp @ 2700 rpm, 700 lb.-ft. torque @ 1600 rpm (STD)

Highway Service Transmission, Automatic close-ratio 6 SPD with double overdrive, Allison, A1700HS ratios: 3.10 1ST, 1.80 2ND, 1.40 3RD, 1.00 4TH, 0.70 5TH, 0.61 6TH Highway Series, 19.5K GVW & 26K GCW Max., requires PTX and park pawl. Available with GVWs less than or equal to 19.5K (Requires (C7Y) 14,001 lb. GVWR, (C5B) 15,000 lb. GVWR, (C7P) 16,000 lb. GVWR, (C7R) 16,500 lb. GVWR, (GZX) 17,500 lb. GVWR, (GZJ) 18,000 lb. GVWR or (GZG) 19,500 lb. GVWR. Requires (R6G) 26,000 lb. GCWR (11,793 kg).) (STD)

Rear axle, 4.10 ratio Max road speed: 79 MPH

Wheelbase, 175" (444.5 cm), 60" CA (Requires (F0C) 49" axle to end of frame. Not available with (G40) 12,000 lb., (GP1) 13,500 lb. or (GP8) 15,500 lb. rear air suspension, or (NPK) Exhaust System.) (STD)

Front axle, 7,000 lb., Dana Spicer D800-N, "I"-beam, non-driving (Requires (FK6) 7,000 lb. (3,175 kg) front suspension.)

Front suspension, 7,000 lb. (3,175 kg) multi-leaf, includes shock absorbers (STD)

Rear axle, 10,000 lb. (4,536 kg) Dana Spicer S14-110, single reduction

Rear suspension, 11,000 lb. (4,990 kg) multi-leaf, vari-rate (Not available with air suspension.) (STD)

Neutral-at-Stop Automatic transmission shifts to neutral when the service brake is depressed while the vehicle is at a complete stop, and remains in neutral until the service brake is released

Transmission shift control calibration, fuel sense Performance

Rear wheel drive

Batteries, heavy-duty dual 1100 cold-cranking amps includes battery box mounted to left side under cab

Alternator, 150 amps

Trailer provisions, trailer wire harness only, trailer combined (Stop/Tail/Turn) connection socket and harness mounted at rear of frame.

Trailer brake controller, integrated

Incomplete vehicle

This document contains information considered Confidential between GM and its Clients uniquely. The information provided is not intended for public disclosure. Prices, specifications, and availability are subject to change without notice, and do not include certain fees, taxes and charges that may be required by law or vary by manufacturer or region. Performance figures are guidelines only, and actual performance may vary. Photos may not represent actual vehicles or exact configurations. Content based on report preparer's input is subject to the accuracy of the input provided.

Data Version: 17632. Data Updated: Oct 4, 2022 6:51:00 PM PDT.



Vehicle: [Fleet] 2023 Chevrolet Silverado MD (CC56043) 2WD Crew Cab Work Truck (  Complete )

## Mechanical

Axle to End of Frame, 49" (Requires wheelbase (EM1) 199" or (FNV) 175". Not available with (G40), (GP1) or (GP8) rear air suspension.)

Axle, Open rear axle, non-locking rear

Axle lubricant, rear, synthetic oil EmGard FE -75W-90

Steering, power (Bosch S2 8014 Plus)

Brakes, hydraulic, heavy duty Bosch/Meritor/Wabco system with 4-channel (ABS) (Includes (J69) driveline park brake.)

Fuel tank, rear only, 40 gallon mounted between frame side rails and behind rear axle

Fuel, diesel B20

Capped Fuel Fill

Exhaust system, rear exit

Exhaust brake

## Exterior

Wheels, 19.5" x 6.75", steel, Black painted, 8-holes, hub piloted (STD)

Tires, front 225/70R19.5G highway blackwall Goodyear Max Axle Load: 7,940 lb. (Requires (YAL) Tires, rear 225/70R19.5G highway blackwall Goodyear, Max Axle Load: 15,000 lb. or (YMF) Tires, rear 225/70R19.5G traction blackwall Goodyear, Max Axle Load: 15,000 lb.) (STD)

Tires, rear 225/70R19.5G highway blackwall Goodyear Max Axle Load: 15,000 lb. (STD)

Spare tire delete (STD)

Wheel, spare delete

Bumper, front, Black

Assist steps

Front fender extension, painted body color

Grille, base, molded in color, Black

Grille guard screen, insect protection (mounted behind grille)

Headlamps, halogen projector-beam

Lamps, cargo area, cab mounted with switch on center switch bank

Lamps, Smoked Amber roof marker

Lamps, rear, stop/turn/backup (1-piece assembly) with license plate light

Mirrors, outside high-visibility vertical camper-style, Black with manual folding and extension and lower convex spotter glass

Glass, solar absorbing, tinted

Antenna, fixed mast

This document contains information considered Confidential between GM and its Clients uniquely. The information provided is not intended for public disclosure. Prices, specifications, and availability are subject to change without notice, and do not include certain fees, taxes and charges that may be required by law or vary by manufacturer or region. Performance figures are guidelines only, and actual performance may vary. Photos may not represent actual vehicles or exact configurations. Content based on report preparer's input is subject to the accuracy of the input provided.

Data Version: 17632. Data Updated: Oct 4, 2022 6:51:00 PM PDT.





Vehicle: [Fleet] 2023 Chevrolet Silverado MD (CC56043) 2WD Crew Cab Work Truck ( Complete )

## Exterior

Door handles, Black

## Entertainment

Audio system, 4.2" diagonal color display AM/FM stereo with USB port and auxiliary jack (Requires (AE7) front 40/20/40 split-bench seat. Not available with (UE1) OnStar or (U2K) SiriusXM Radio.) (STD)

SiriusXM, delete

6-speaker audio system

## Interior

Seats, front 40/20/40 split-bench, 3-passenger driver and front passenger recline with outboard head restraints and center fold-down armrest with storage. Vinyl has fixed lumbar and cloth has manually adjustable driver lumbar. (STD)

Interior trim, Jet Black/Dark Ash (Required and only available with (H2Q/H2R) Dark Ash seats with Jet Black interior accents.)

Seat trim, Vinyl

Seat, rear 60/40 folding bench (folds up), 3-passenger (includes child seat top tether anchor)

Seat Belt, Black

Floor covering, Graphite-colored rubberized-vinyl

Steering wheel, urethane

Steering column, manual Tilt-Wheel

Instrumentation, 6-gauge cluster featuring speedometer, fuel level, engine temperature, tachometer, voltage and oil pressure

Speedometer, miles/kilometers

Driver Information Center, 3.5-inch diagonal monochromatic display, provides warning messages and basic vehicle information

Upfitter switch kit provides up to 4-30 amp circuits to facilitate installation of aftermarket electrical accessories located on the instrument panel

Windows, power with driver express up and down and express down on all other windows

Door locks, power

Cruise control, steering wheel-mounted

Air conditioning, single-zone

Mirror, inside rearview manual day/night

Visors, driver and front passenger, vinyl

Assist handle, front passenger and driver on A-pillars

This document contains information considered Confidential between GM and its Clients uniquely. The information provided is not intended for public disclosure. Prices, specifications, and availability are subject to change without notice, and do not include certain fees, taxes and charges that may be required by law or vary by manufacturer or region. Performance figures are guidelines only, and actual performance may vary. Photos may not represent actual vehicles or exact configurations. Content based on report preparer's input is subject to the accuracy of the input provided.

Data Version: 17632. Data Updated: Oct 4, 2022 6:51:00 PM PDT.



Vehicle: [Fleet] 2023 Chevrolet Silverado MD (CC56043) 2WD Crew Cab Work Truck (  Complete )

### Safety-Mechanical

Brake, parking, driveline park brake system

StabiliTrak, Electronic Stability Control System with Traction Control includes Electronic Trailer Sway Control and Hill Start Assist

Traction control

### Safety-Exterior

Daytime Running Lamps, with automatic exterior lamp control

### Safety-Interior

Airbags, Single-stage frontal airbags for driver and front outboard passenger; Seat-mounted side-impact airbags for driver and front outboard passenger; Head-curtain airbags for front and rear outboard seating positions; (Always use seat belts and child restraints. Children are safer when properly secured in a rear seat in the appropriate child restraint. See the Owner's Manual for more information.)

Airbag deactivation switch, frontal passenger-side (Included and only available with (AY0) airbags.)

OnStar, delete

Rear Vision Camera, display integrated into Radio (Shipped loose in cab for upfitter installation.)

Horn, single-note

### WARRANTY

Warranty Note: <<< Preliminary 2023 Warranty >>>

Basic Years: 3

Basic Miles/km: 36,000

Drivetrain Years (Allison Basic): 5

Drivetrain Years: 5

Drivetrain Miles/km (Allison Basic): Unlimited

Drivetrain Miles/km: 100,000

Drivetrain Note: Duramax Diesel

Corrosion Years (Rust-Through): 6

Corrosion Years: 3

Corrosion Miles/km (Rust-Through): 100,000

Corrosion Miles/km: 36,000

Roadside Assistance Years: 5

Roadside Assistance Miles/km: 100,000

Maintenance Note: 1 Year/1 Visit

This document contains information considered Confidential between GM and its Clients uniquely. The information provided is not intended for public disclosure. Prices, specifications, and availability are subject to change without notice, and do not include certain fees, taxes and charges that may be required by law or vary by manufacturer or region. Performance figures are guidelines only, and actual performance may vary. Photos may not represent actual vehicles or exact configurations. Content based on report preparer's input is subject to the accuracy of the input provided.

Data Version: 17632. Data Updated: Oct 4, 2022 6:51:00 PM PDT.



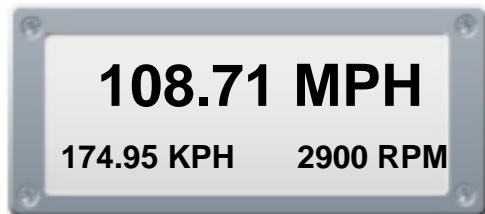
Vehicle: [Fleet] 2023 Chevrolet Silverado MD (CC56043) 2WD Crew Cab Work Truck ( Complete )

## Geared Road Speed

### SPECIFICATION SUMMARY

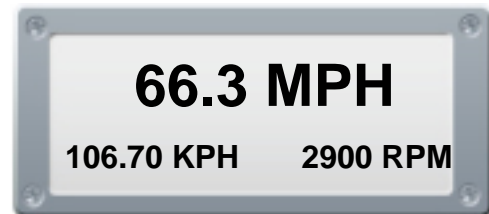
<b>Model #</b>	CC56043
<b>Engine Order Code</b>	L5D
Model Manufacturer	Duramax
Type	Turbocharged Diesel V8
Displacement	6.6L/402
Horsepower	350 @ 2700
Starting Torque	N/A
<b>Transmission Order Code</b>	MWA
Model Manufacturer	Allison
Type	6-Speed Automatic
Second Hip Room	60.24 in
<b>Rear Axle Order Code</b>	GL4
Model Manufacturer	A1700HS Allison
Weight Rating	11000 lbs
Ratio:1	4.10
<b>Rear Tires</b>	225/70R19.5G
<b>Revolutions/Mile Front</b>	640
<b>Revolutions/Mile Rear</b>	640
<b>Surface Type</b>	Concrete
<b>Desired Grade</b>	2%

Geared Road Speed



0% Grade in 4th gear

Actual Loaded Speed



2% Grade in 4th gear

Note: Simulated speedometer appearance may not correspond with selected equipment.

This document contains information considered Confidential between GM and its Clients uniquely. The information provided is not intended for public disclosure. Prices, specifications, and availability are subject to change without notice, and do not include certain fees, taxes and charges that may be required by law or vary by manufacturer or region. Performance figures are guidelines only, and actual performance may vary. Photos may not represent actual vehicles or exact configurations. Content based on report preparer's input is subject to the accuracy of the input provided.

Data Version: 17632. Data Updated: Oct 4, 2022 6:51:00 PM PDT.

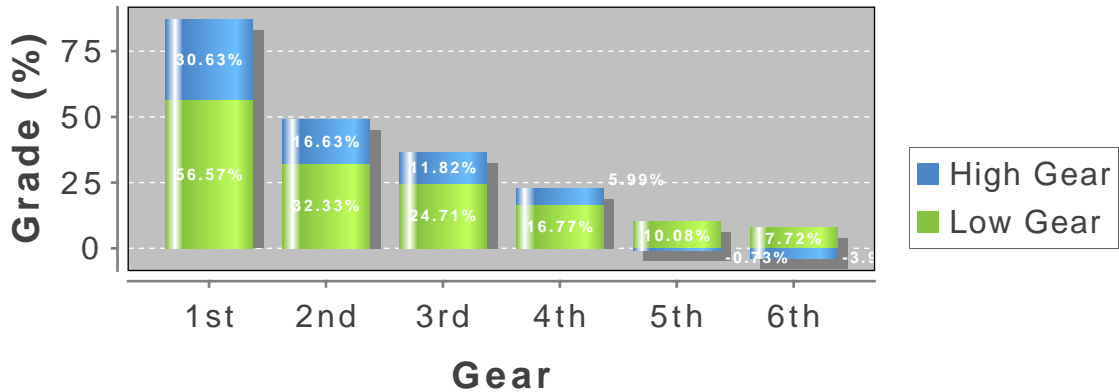


Vehicle: [Fleet] 2023 Chevrolet Silverado MD (CC56043) 2WD Crew Cab Work Truck (✔ Complete)

### Gradeability Chart

#### SPECIFICATION SUMMARY

<b>Model #</b>	CC56043
<b>Engine Order Code</b>	L5D
Model Manufacturer	Duramax
Type	Turbocharged Diesel V8
Displacement	6.6L/402
Horsepower	350 @ 2700
Starting Torque	N/A
<b>Transmission Order Code</b>	MWA
Model Manufacturer	Allison
Type	6-Speed Automatic
Second Hip Room	60.24 in
<b>Rear Axle Order Code</b>	GL4
Model Manufacturer	A1700HS Allison
Weight Rating	11000 lbs
Ratio:1	4.10
<b>Rear Tires</b>	225/70R19.5G
<b>Revolutions/Mile Front</b>	640
<b>Revolutions/Mile Rear</b>	640
<b>Surface Type</b>	Concrete
<b>Desired Grade</b>	2%



This document contains information considered Confidential between GM and its Clients uniquely. The information provided is not intended for public disclosure. Prices, specifications, and availability are subject to change without notice, and do not include certain fees, taxes and charges that may be required by law or vary by manufacturer or region. Performance figures are guidelines only, and actual performance may vary. Photos may not represent actual vehicles or exact configurations. Content based on report preparer's input is subject to the accuracy of the input provided.

Data Version: 17632. Data Updated: Oct 4, 2022 6:51:00 PM PDT.



Vehicle: [Fleet] 2023 Chevrolet Silverado MD (CC56043) 2WD Crew Cab Work Truck ( Complete )

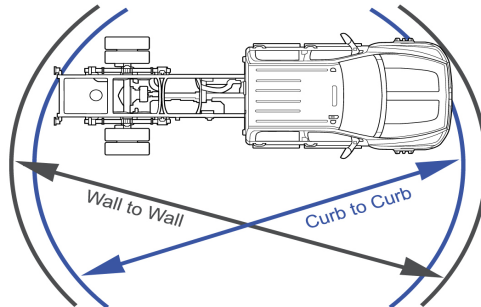
## Turning Circle

### SPECIFICATION SUMMARY

<b>Model #</b>	CC56043
<b>Front Axle Order Code</b>	FTA
Capacity (lbs)	7000 lbs
<b>Wheelbase Order Code</b>	FNV
Wheelbase (in)	175 in
<b>Front Wheel Order Code</b>	
Size/Type (in)	19.5 x 6.75 in
<b>Front Tire Order Code</b>	XDK
Size/Type	225/70R19.5G

#### Wall to Wall (ft): 51.3 ft

Wall to Wall diameter is measured from the outermost part of the cab.



#### Curb to Curb (ft): 49.7 ft

Curb to Curb diameter is measured from the outside of the front tire.

This document contains information considered Confidential between GM and its Clients uniquely. The information provided is not intended for public disclosure. Prices, specifications, and availability are subject to change without notice, and do not include certain fees, taxes and charges that may be required by law or vary by manufacturer or region. Performance figures are guidelines only, and actual performance may vary. Photos may not represent actual vehicles or exact configurations. Content based on report preparer's input is subject to the accuracy of the input provided.

Data Version: 17632. Data Updated: Oct 4, 2022 6:51:00 PM PDT.