



Vehicle: [Fleet] 2023 Chevrolet 5500XD LCF Diesel (CT61003) 2WD Reg Cab 109"





Vehicle: [Fleet] 2023 Chevrolet 5500XD LCF Diesel (CT61003) 2WD Reg Cab 109" (✔ Complete)

Technical Specifications

Powertrain

Transmission

Drivetrain	Rear Wheel Drive	Trans Order Code	IR7
Trans Type	6	Trans Description Cont.	Automatic
Trans Description Cont. Again	N/A	First Gear Ratio (:1)	3.742
Second Gear Ratio (:1)	2.003	Third Gear Ratio (:1)	1.343
Fourth Gear Ratio (:1)	1.000	Fifth Gear Ratio (:1)	0.773
Sixth Gear Ratio (:1)	0.634	Reverse Ratio (:1)	N/A
Clutch Size	N/A	Trans Power Take Off	N/A
Final Drive Axle Ratio (:1)	N/A	Transfer Case Model	N/A
Transfer Case Power Take Off	N/A	Second Reverse Gear Ratio (:1)	N/A
Third Reverse Gear Ratio (:1)	N/A	Fourth Reverse Gear Ratio (:1)	N/A
Fifth Reverse Gear Ratio (:1)	N/A	Sixth Reverse Gear Ratio (:1)	N/A
Transmission Manufacturer	Aisin A465	Transmission Type	N/A

Engine

Engine Order Code	I1B	Engine Type	Turbocharged Diesel I4
Displacement	5.2L/317	Fuel System	Direct Injection
SAE Net Horsepower @ RPM	215 @ 2500	SAE Net Torque @ RPM	452 @ 1850-2750
Engine Oil Cooler	N/A	Governed Engine Speed (RPM)	N/A
Engine Series	4HK1-TC		

Electrical

Cold Cranking Amps @ 0° F (Primary)	750	Cold Cranking Amps @ 0° F (2nd)	750
Cold Cranking Amps @ 0° F (3rd)	N/A	Maximum Alternator Capacity (amps)	140

Cooling System

Total Cooling System Capacity	20.8 qts
-------------------------------	----------

This document contains information considered Confidential between GM and its Clients uniquely. The information provided is not intended for public disclosure. Prices, specifications, and availability are subject to change without notice, and do not include certain fees, taxes and charges that may be required by law or vary by manufacturer or region. Performance figures are guidelines only, and actual performance may vary. Photos may not represent actual vehicles or exact configurations. Content based on report preparer's input is subject to the accuracy of the input provided.

Data Version: 17632. Data Updated: Oct 4, 2022 6:51:00 PM PDT.



Vehicle: [Fleet] 2023 Chevrolet 5500XD LCF Diesel (CT61003) 2WD Reg Cab 109" (Complete)

Vehicle

Vehicle

Axle Ratio - Low Rear (:1)	N/A	As Spec Curb Weight - Front	4145.00 lbs
As Spec Curb Weight - Rear	2480.00 lbs		

Chassis

Weight Information

Standard Weight - Front	0.00 lbs	Standard Weight - Rear	0.00 lbs
Total Weight	6975.00 lbs	Gross Axle Wt Rating - Front	7275 lbs
Gross Axle Wt Rating - Rear	13660 lbs	Curb Weight - Front	4145 lbs
Curb Weight - Rear	2480 lbs	Option Weight - Front	0.00 lbs
Option Weight - Rear	0.00 lbs	Reserve Axle Capacity - Front	3130.00 lbs
Reserve Axle Capacity - Rear	11180.00 lbs	As Spec'd Curb Weight	6625.00 lbs
As Spec'd Payload	12875.00 lbs	Gross Combined Wt Rating	25500 lbs
Cargo Weight	0.00 lbs	Gross Vehicle Weight	6975.00 lbs
Axle Weight	N/A	Gross Axle Weight Rating	20935.00 lbs
Curb Weight	6625.00 lbs	Reserve Axle Capacity	14310.00 lbs
Total Option Weight	0.00 lbs	Payload Weight Front	0.00 lbs
Payload Weight Rear	0.00 lbs	Maximum Axle Rating Front	3640.00 lbs
Maximum Axle Rating Rear	3415.00 lbs	Maximum Axle Rating Total	7055.00 lbs
Gross Vehicle Weight Rating	19500.00 lbs	Front PayLoad	N/A
Rear Payload	N/A	Total Payload Weight (Cargo + Driver + Body)	350.00 lbs

Frame

Frame Type	Ladder-Type C-Section	Sect Modulus Rails Only	7.20 in ³
Frame RBM	316800	Frame Strength	44000 lbs
Frame Thickness	8.50 x 2.76 x 0.24 in		

Suspension

Suspension Type - Front	Independent w/Tapered Leaf Springs	Suspension Type - Rear	Independent w/Multi-Leaf Springs
-------------------------	------------------------------------	------------------------	----------------------------------

This document contains information considered Confidential between GM and its Clients uniquely. The information provided is not intended for public disclosure. Prices, specifications, and availability are subject to change without notice, and do not include certain fees, taxes and charges that may be required by law or vary by manufacturer or region. Performance figures are guidelines only, and actual performance may vary. Photos may not represent actual vehicles or exact configurations. Content based on report preparer's input is subject to the accuracy of the input provided.

Data Version: 17632. Data Updated: Oct 4, 2022 6:51:00 PM PDT.



Vehicle: [Fleet] 2023 Chevrolet 5500XD LCF Diesel (CT61003) 2WD Reg Cab 109" (✔ Complete)

Chassis

Suspension

Spring Capacity - Front	8440 lbs	Spring Capacity - Rear	14550 lbs
Axle Type - Front	I-Beam	Axle Type - Rear	N/A
Axle Capacity - Front	7275 lbs	Axle Capacity - Rear	14550 lbs
Axle Ratio (:1) - Front	N/A	Axle Ratio (:1) - Rear	5.571
Shock Absorber Diameter - Front	42.0 mm	Shock Absorber Diameter - Rear	42.0 mm
Stabilizer Bar Diameter - Front	N/A	Stabilizer Bar Diameter - Rear	N/A

Tires

Front Tire Order Code	2TB	Rear Tire Order Code	3TB
Spare Tire Order Code	N/A	Front Tire Size	225/70R19.5
Rear Tire Size	225/70R19.5	Spare Tire Size	N/A
Front Tire Capacity	3640 lbs	Rear Tire Capacity	3415 lbs
Spare Tire Capacity	N/A	Revolutions/Mile @ 45 mph - Front	643
Revolutions/Mile @ 45 mph - Rear	643	Revolutions/Mile @ 45 mph - Spare	N/A
Tire Rating Total	7055.00		

Wheels

Front Wheel Size	19.5 x 6 in	Rear Wheel Size	19.5 x 6 in
Spare Wheel Size	N/A	Front Wheel Material	Steel
Rear Wheel Material	Steel	Spare Wheel Material	N/A
Front Bolt Pattern	6 Hole JIS 8.75"	Rear Bolt Pattern	6 Hole JIS 8.75"
Spare Bolt Pattern	N/A		

Steering

Steering Type	Pwr	Steering Ratio (:1), On Center	N/A
Steering Ratio (:1), At Lock	N/A	Turning Diameter - Curb to Curb	32.8 ft
Turning Diameter - Wall to Wall	38.7 ft		

Brakes

Brake Type	Pwr	Brake ABS System	4-Wheel
Brake ABS System (Second Line)	N/A	Disc - Front (Yes or)	Yes

This document contains information considered Confidential between GM and its Clients uniquely. The information provided is not intended for public disclosure. Prices, specifications, and availability are subject to change without notice, and do not include certain fees, taxes and charges that may be required by law or vary by manufacturer or region. Performance figures are guidelines only, and actual performance may vary. Photos may not represent actual vehicles or exact configurations. Content based on report preparer's input is subject to the accuracy of the input provided.

Data Version: 17632. Data Updated: Oct 4, 2022 6:51:00 PM PDT.



Vehicle: [Fleet] 2023 Chevrolet 5500XD LCF Diesel (CT61003) 2WD Reg Cab 109" (Complete)

Chassis

Brakes

Disc - Rear (Yes or)	N/A	Front Brake Rotor Diam x Thickness	14.3 x -TBD- in
Rear Brake Rotor Diam x Thickness	N/A	Drum - Front (Yes or)	N/A
Front Drum Diam x Width	N/A	Drum - Rear (Yes or)	Yes
Rear Drum Diam x Width	14.6 x 5.91 in		

Fuel Tank

Fuel Tank Capacity, Approx	30.0 gal	Aux Fuel Tank Capacity, Approx	N/A
Fuel Tank Location	Frame Rail	Aux Fuel Tank Location	N/A

Trailer

Trailer Weight	0.0 lbs
----------------	---------

Dimensions

Interior Dimensions

Passenger Capacity	3	Front Head Room	38.4 in
Front Leg Room	29.5 in	Front Shoulder Room	70.7 in
Front Hip Room	67.7 in		

Exterior Dimensions

Wheelbase	109.0 in	Length, Overall w/o rear bumper	200.5 in
Length, Overall	N/A	Width, Max w/o mirrors	81.3 in
Height, Overall	92.4 in	Overhang, Front	48.3 in
Overhang, Rear w/o bumper	43.1 in	Front Bumper to Back of Cab	70.9 in
Cab to Axle	86.5 in	Cab to End of Frame	129.6 in
Ground to Top of Load Floor	N/A	Ground to Top of Frame	33.0 in
Frame Width, Rear	33.5 in	Ground Clearance, Front	7.5 in
Ground Clearance, Rear	7.5 in	Body Length	0.0 ft
Cab to Body	0.0 in	Frontal Area	0.00 ft ²

This document contains information considered Confidential between GM and its Clients uniquely. The information provided is not intended for public disclosure. Prices, specifications, and availability are subject to change without notice, and do not include certain fees, taxes and charges that may be required by law or vary by manufacturer or region. Performance figures are guidelines only, and actual performance may vary. Photos may not represent actual vehicles or exact configurations. Content based on report preparer's input is subject to the accuracy of the input provided.

Data Version: 17632. Data Updated: Oct 4, 2022 6:51:00 PM PDT.



Vehicle: [Fleet] 2023 Chevrolet 5500XD LCF Diesel (CT61003) 2WD Reg Cab 109" (✔ Complete)

Medium Duty

Medium Duty Performance

Front Axle %	N/A	Rear Axle %	N/A
Driver Weight	350.0 lbs	Front Ground Load	N/A
Rear Ground Load	N/A	1st gear High Speed (High Axle Gear)	N/A
2nd gear High Speed (High Axle Gear)	N/A	3rd gear High Speed (High Axle Gear)	N/A
4th gear High Speed (High Axle Gear)	N/A	5th gear High Speed (High Axle Gear)	N/A
6th gear High Speed (High Axle Gear)	N/A	1st gear Low Speed (High Axle Gear)	8.28 MPH
2nd gear Low Speed (High Axle Gear)	15.47 MPH	3rd gear Low Speed (High Axle Gear)	23.07 MPH
4th gear Low Speed (High Axle Gear)	30.99 MPH	5th gear Low Speed (High Axle Gear)	40.09 MPH
6th gear Low Speed (High Axle Gear)	48.88 MPH	1st gear High Speed (Low Axle Gear)	N/A
2nd gear High Speed (Low Axle Gear)	N/A	3rd gear High Speed (Low Axle Gear)	N/A
4th gear High Speed (Low Axle Gear)	N/A	5th gear High Speed (Low Axle Gear)	N/A
6th gear High Speed (Low Axle Gear)	N/A	1st gear Low Speed (Low Axle Gear)	N/A
2nd gear Low Speed (Low Axle Gear)	N/A	3rd gear Low Speed (Low Axle Gear)	N/A
4th gear Low Speed (Low Axle Gear)	N/A	5th gear Low Speed (Low Axle Gear)	N/A
6th gear Low Speed (Low Axle Gear)	N/A	Reduction	36.77
Torque @ Clutch Engage	N/A	Starting Grade Index	N/A
1st Gear Tractive Effort (High Axle Gear)	6301.15	2nd Gear Tractive Effort (High Axle Gear)	3372.85
3rd Gear Tractive Effort (High Axle Gear)	2261.48	4th Gear Tractive Effort (High Axle Gear)	1683.90
5th Gear Tractive Effort (High Axle Gear)	1301.65	6th Gear Tractive Effort (High Axle Gear)	1067.59
1st Gear Tractive Effort (Low Axle Gear)	N/A	2nd Gear Tractive Effort (Low Axle Gear)	N/A
3rd Gear Tractive Effort (Low Axle Gear)	N/A	4th Gear Tractive Effort (Low Axle Gear)	N/A
5th Gear Tractive Effort (Low Axle Gear)	N/A	6th Gear Tractive Effort (Low Axle Gear)	N/A
1st Gear Gradeability (High Axle Gear)	N/A	2nd Gear Gradeability (High Axle Gear)	N/A
3rd Gear Gradeability (High Axle Gear)	N/A	4th Gear Gradeability (High Axle Gear)	N/A
5th Gear Gradeability (High Axle Gear)	N/A	6th Gear Gradeability (High Axle Gear)	N/A
1st Gear Gradeability (Low Axle Gear)	44.39	2nd Gear Gradeability (Low Axle Gear)	23.35
3rd Gear Gradeability (Low Axle Gear)	15.18	4th Gear Gradeability (Low Axle Gear)	10.73
5th Gear Gradeability (Low Axle Gear)	7.51	6th Gear Gradeability (Low Axle Gear)	5.25
Geared Road Speed	0.00 MPH	Actual Loaded Speed	N/A

This document contains information considered Confidential between GM and its Clients uniquely. The information provided is not intended for public disclosure. Prices, specifications, and availability are subject to change without notice, and do not include certain fees, taxes and charges that may be required by law or vary by manufacturer or region. Performance figures are guidelines only, and actual performance may vary. Photos may not represent actual vehicles or exact configurations. Content based on report preparer's input is subject to the accuracy of the input provided.

Data Version: 17632. Data Updated: Oct 4, 2022 6:51:00 PM PDT.



Vehicle: [Fleet] 2023 Chevrolet 5500XD LCF Diesel (CT61003) 2WD Reg Cab 109" (✔ Complete)

Medium Duty

Medium Duty Performance

Grade (%)	2.0	Maximum Speed Gradeability	N/A
Torque Converter	1.7639	Maximum Capacity @ 0° F	1500.00
% of Body on Front Axle	73.39	% of Body on Rear Axle	26.61
Body Weight Front	0.00 lbs	Body Weight Rear	0.00 lbs
Actual Loaded Speed (First Part, MPH)	N/A	Actual Loaded Speed (Second Part, RPM)	
Actual Loaded Speed (Third Part, Gear)		Road Type	Concrete
Body Weight	0.0 lbs	Driver Weight Front	N/A
Driver Weight Rear	N/A	Medium Duty Body Type	None
Front Total Load	4145.00 lbs	Rear Total Load	2480.00 lbs

This document contains information considered Confidential between GM and its Clients uniquely. The information provided is not intended for public disclosure. Prices, specifications, and availability are subject to change without notice, and do not include certain fees, taxes and charges that may be required by law or vary by manufacturer or region. Performance figures are guidelines only, and actual performance may vary. Photos may not represent actual vehicles or exact configurations. Content based on report preparer's input is subject to the accuracy of the input provided.

Data Version: 17632. Data Updated: Oct 4, 2022 6:51:00 PM PDT.

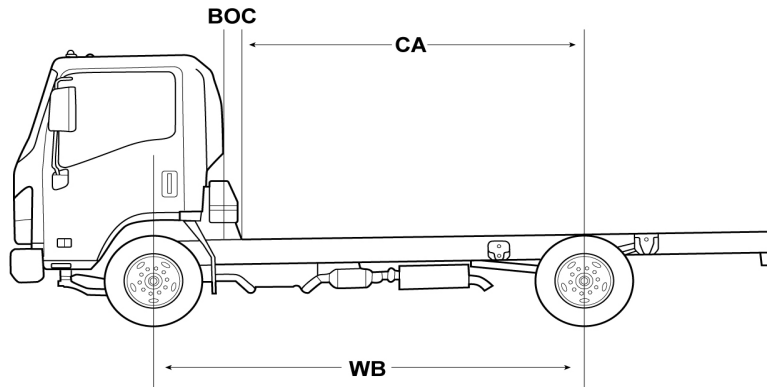


Vehicle: [Fleet] 2023 Chevrolet 5500XD LCF Diesel (CT61003) 2WD Reg Cab 109" (✔ Complete)

Weight Distribution

SPECIFICATION SUMMARY

Model #	CT61003
Truck/Tractor	
Wheelbase (WB)	109.0 in
Cab to Axle (CA)	86.5 in
Cab to Body/Swing Clear (BOC)	0.0 in
Body Length	0.0 ft
Body Weight	0.0 lbs
Cargo Weight	0.00 lbs
Front GAWR	7275 lbs
Rear GAWR	13660 lbs
GVWR	19500.00 lbs



CA: 86.5 in
 BOC: 0.0 in
 WB: 109.0 in

Fr%: N/A
Front Wt: 4145.00 lbs

Rr%: N/A
Rear Wt: 2480.00 lbs

GAWR/GVWR	GVW	Remaining Payload Wt
19500.00 lbs	6975.00 lbs	12,525.00 lbs

This document contains information considered Confidential between GM and its Clients uniquely. The information provided is not intended for public disclosure. Prices, specifications, and availability are subject to change without notice, and do not include certain fees, taxes and charges that may be required by law or vary by manufacturer or region. Performance figures are guidelines only, and actual performance may vary. Photos may not represent actual vehicles or exact configurations. Content based on report preparer's input is subject to the accuracy of the input provided.

Data Version: 17632. Data Updated: Oct 4, 2022 6:51:00 PM PDT.



Vehicle: [Fleet] 2023 Chevrolet 5500XD LCF Diesel (CT61003) 2WD Reg Cab 109" ( Complete)

Weight Distribution

SPECIFICATION DETAILS

	Front Axle	Rear Axle	Total
Actual			
Chassis	4145.00 lbs	2480.00 lbs	6625.00 lbs
Body	0.00 lbs	0.00 lbs	0.0 lbs
Payload	0.00 lbs	0.00 lbs	0.00 lbs
Trailer			0.0 lbs
Totals	4145.00 lbs	2480.00 lbs	6975.00 lbs
Capacity			
Axle	7275 lbs	13660 lbs	20935.00 lbs
Suspension	8440 lbs	14550 lbs	22,990.00 lbs
Tire	3640 lbs	3415 lbs	7055.00
Total Axle Rating	3640.00 lbs	3415.00 lbs	7055.00 lbs

This document contains information considered Confidential between GM and its Clients uniquely. The information provided is not intended for public disclosure. Prices, specifications, and availability are subject to change without notice, and do not include certain fees, taxes and charges that may be required by law or vary by manufacturer or region. Performance figures are guidelines only, and actual performance may vary. Photos may not represent actual vehicles or exact configurations. Content based on report preparer's input is subject to the accuracy of the input provided.

Data Version: 17632. Data Updated: Oct 4, 2022 6:51:00 PM PDT.



Vehicle: [Fleet] 2023 Chevrolet 5500XD LCF Diesel (CT61003) 2WD Reg Cab 109" (Complete)

Selected Model and Options

MODEL				
CODE	MODEL			MSRP
CT61003	2023 Chevrolet 5500XD LCF Diesel 2WD Reg Cab 109"			\$65,140.00

COLORS	
CODE	DESCRIPTION
16U	Arc White

REQUIRED OPTION				
CODE	DESCRIPTION	FRONT WEIGHT	REAR WEIGHT	MSRP
R9J	Ocean Freight Surcharge (Required on all models until further notice.)	0.00 lbs	0.00 lbs	\$2,475.00

ENGINE				
CODE	DESCRIPTION	FRONT WEIGHT	REAR WEIGHT	MSRP
I1B	Engine, Diesel 5.2L 4 cylinder 215 hp [160.3 kW] @2500 rpm, 452 lb-ft of torque [612.8 Nm] @ 1850-2750 rpm (Governed). 16 valve, four cycle, chain-driven dual overhead camshaft valve train, a cast iron cylinder block, and a cast aluminum cylinder head. Turbocharged, inter-cooled, water cooled EGR, direct injection, electronically controlled common rail fuel system and engine cruise control. Oil level check switch and light. Engine warning system with audible warning for low oil pressure, high coolant temperature, and a protection system that will reduce fueling if excessive coolant temperature is detected (STD)	0.00 lbs	0.00 lbs	\$0.00

TRANSMISSION				
CODE	DESCRIPTION	FRONT WEIGHT	REAR WEIGHT	MSRP
IR7	Transmission, 6-speed automatic Aisin A465 transmission with fifth and sixth gear overdrive with lock up in 2nd, 3rd, 4th, 5th and 6th, PTO capability automatic torque converter lockup in stationary PTO mode. (STD)	0.00 lbs	0.00 lbs	\$0.00

AXLE				
CODE	DESCRIPTION	FRONT WEIGHT	REAR WEIGHT	MSRP
011	Rear axle, 5.57 ratio (Standard on 5500XD only.)	0.00 lbs	0.00 lbs	\$0.00

This document contains information considered Confidential between GM and its Clients uniquely. The information provided is not intended for public disclosure. Prices, specifications, and availability are subject to change without notice, and do not include certain fees, taxes and charges that may be required by law or vary by manufacturer or region. Performance figures are guidelines only, and actual performance may vary. Photos may not represent actual vehicles or exact configurations. Content based on report preparer's input is subject to the accuracy of the input provided.

Data Version: 17632. Data Updated: Oct 4, 2022 6:51:00 PM PDT.



Vehicle: [Fleet] 2023 Chevrolet 5500XD LCF Diesel (CT61003) 2WD Reg Cab 109" (✔ Complete)

PREFERRED EQUIPMENT GROUP

CODE	DESCRIPTION	FRONT WEIGHT	REAR WEIGHT	MSRP
1WT	Preferred Equipment Group includes standard equipment	0.00 lbs	0.00 lbs	\$0.00

PAINT

CODE	DESCRIPTION	FRONT WEIGHT	REAR WEIGHT	MSRP
16U	Arc White	0.00 lbs	0.00 lbs	\$0.00

SEAT TYPE

CODE	DESCRIPTION	FRONT WEIGHT	REAR WEIGHT	MSRP
A1F	Seat, front high back bucket driver and passenger tricoat cloth covered reclining high back driver seat with single two occupant fold down passenger seat (STD)	0.00 lbs	0.00 lbs	\$0.00

SEAT TRIM

CODE	DESCRIPTION	FRONT WEIGHT	REAR WEIGHT	MSRP
H72	Medium Ash Gray, Cloth Seat Trim	0.00 lbs	0.00 lbs	\$0.00

RADIO

CODE	DESCRIPTION	FRONT WEIGHT	REAR WEIGHT	MSRP
UIZ	Audio System, AM/FM stereo with CD player, auxiliary jack, USB port and Bluetooth (STD)	0.00 lbs	0.00 lbs	\$0.00

Options Total		0.00 lbs	0.00 lbs	\$2,475.00
As Specified Curb Weight		4145.00 lbs	2480.00 lbs	

This document contains information considered Confidential between GM and its Clients uniquely. The information provided is not intended for public disclosure. Prices, specifications, and availability are subject to change without notice, and do not include certain fees, taxes and charges that may be required by law or vary by manufacturer or region. Performance figures are guidelines only, and actual performance may vary. Photos may not represent actual vehicles or exact configurations. Content based on report preparer's input is subject to the accuracy of the input provided.

Data Version: 17632. Data Updated: Oct 4, 2022 6:51:00 PM PDT.



Vehicle: [Fleet] 2023 Chevrolet 5500XD LCF Diesel (CT61003) 2WD Reg Cab 109" (✔ Complete)

Standard Equipment

Mechanical

Emissions, 50 state certification

Engine, Diesel 5.2L 4 cylinder 215 hp [160.3 kW] @2500 rpm, 452 lb-ft of torque [612.8 Nm] @ 1850-2750 rpm (Governed). 16 valve, four cycle, chain-driven dual overhead camshaft valve train, a cast iron cylinder block, and a cast aluminum cylinder head. Turbocharged, inter-cooled, water cooled EGR, direct injection, electronically controlled common rail fuel system and engine cruise control. Oil level check switch and light. Engine warning system with audible warning for low oil pressure, high coolant temperature, and a protection system that will reduce fueling if excessive coolant temperature is detected (STD)

Transmission, 6-speed automatic Aisin A465 transmission with fifth and sixth gear overdrive with lock up in 2nd, 3rd, 4th, 5th and 6th, PTO capability automatic torque converter lockup in stationary PTO mode. (STD)

Rear axle, 5.57 ratio (Standard on 5500XD only.)

Air cleaner, heavy-duty, 11" diameter dry paper single element. Air cleaner canister standard with air restriction gauge. Back of cab location.

Drivetrain, rear-wheel drive

Battery, dual 750 cold-cranking amps, 12 volt, maintenance free

Alternator, 140 amps

Frame, ladder-type channel frame. Full C section straight frame 33.5" (85.1 cm) wide. Yield strength 44,000 psi, section modulus 7.20 cu.in. and RBM 316,800 lb-ft/in per rail.

Incomplete vehicle certification

Wheelbase, 109" (276.9 cm)

GVWR, 19,500 lbs. (8845 kg) (Standard on 5500XD only.)

Front suspension, 8,440 lbs. (3828 kg) tapered leaf (Standard on 4500XD, 5500HD and 5500XD only.)

Rear Suspension, 14,550 lbs. (6599 kg) (Standard on 5500HD and 5500XD only.)

Front axle, 7275 lbs. (3300 kg), reverse Elliot "I"-beam (Standard on 5500XD only.)

Rear axle, 14,550 lbs. (6600 kg) (Standard on 5500HD and 5500XD only.)

Vehicle Application Truck

Brakes, 4-wheel antilock, front and rear disc with traction control and stability control

Exhaust brake

Fuel tank, 30 Gallon, (113L), stainless steel includes 2 auxiliary fuel ports

Exhaust, single horizontal outlet

Exterior

Wheels, 19.5" x 6", K steel (Standard on 4500XD, 5500HD and 5500XD only.)

Tires, front, 225/70R19.5 F 125/123 L BW HWY VAR1 (Standard on 4500XD, 5500HD and 5500XD only.)

Tires, rear, 225/70R19.5 F 125/123 L BW HWY VAR1 (Standard on 4500XD, 5500HD and 5500XD only.)

This document contains information considered Confidential between GM and its Clients uniquely. The information provided is not intended for public disclosure. Prices, specifications, and availability are subject to change without notice, and do not include certain fees, taxes and charges that may be required by law or vary by manufacturer or region. Performance figures are guidelines only, and actual performance may vary. Photos may not represent actual vehicles or exact configurations. Content based on report preparer's input is subject to the accuracy of the input provided.

Data Version: 17632. Data Updated: Oct 4, 2022 6:51:00 PM PDT.



Vehicle: [Fleet] 2023 Chevrolet 5500XD LCF Diesel (CT61003) 2WD Reg Cab 109" (✔ Complete)

Exterior

Grille, Silver

Assist steps

Glass, tinted

LED Headlamps

Mirror, outside left-hand and right hand dual cab-mounted with integral convex mirror

Windshield wiper, pulse, wet arm

Entertainment

Audio System, AM/FM stereo with CD player, auxiliary jack, USB port and Bluetooth (STD)

Audio system feature, 2 speakers

Interior

Seat, front high back bucket driver and passenger tricoat cloth covered reclining high back driver seat with single two occupant fold down passenger seat (STD)

Seat trim, Cloth

Cup holders

Floor mats

Steering wheel, urethane

Steering wheel, tilt and telescopic

Driver Information Center, (DIC) (monitors vital functions including diesel exhaust fluid levels (DEF), particulate matter emissions level in the diesel particulate filter (DPF), diesel particulate filter regeneration, service reminders for engine oil, transmission oil, differential oil, power steering fluid, engine oil filter, and fuel filters. The DIC provides fuel economy reporting by average, instant, and trip.)

Air conditioning, single-zone manual, integral in-dash mounted

Windows, power

Door locks, power

Cruise control, electronic, automatic

Windshield washer bottle access on passenger side dash when passenger-side door is open

Storage, door pockets

Lighting, interior dome

Storage, seatback pockets

Safety-Mechanical

Brake, parking, cable actuated, internal expanding drum type, transmission-mounted

This document contains information considered Confidential between GM and its Clients uniquely. The information provided is not intended for public disclosure. Prices, specifications, and availability are subject to change without notice, and do not include certain fees, taxes and charges that may be required by law or vary by manufacturer or region. Performance figures are guidelines only, and actual performance may vary. Photos may not represent actual vehicles or exact configurations. Content based on report preparer's input is subject to the accuracy of the input provided.

Data Version: 17632. Data Updated: Oct 4, 2022 6:51:00 PM PDT.



Vehicle: [Fleet] 2023 Chevrolet 5500XD LCF Diesel (CT61003) 2WD Reg Cab 109" (✔ Complete)

Safety-Exterior

Daytime Running Lamps

WARRANTY

Warranty Note: <<< Preliminary 2023 Warranty >>>

Basic Years: 3

Basic Miles/km: Unlimited

Drivetrain Years: 3

Drivetrain Miles/km: Unlimited

Corrosion Years: 4

Corrosion Miles/km: Unlimited

Rear Axle Years: 3

Rear Axle Miles/km: Unlimited

Frame Rail Years: 3

Frame Rail Miles/km: Unlimited

Frame Rail Note: 3 years/Unlimited Miles (no charge) AND up to 5 years/Unlimited miles (50% charge)

Roadside Assistance Years: 3

Roadside Assistance Miles/km: Unlimited

Maintenance Note: 1 Year/1 Visit

This document contains information considered Confidential between GM and its Clients uniquely. The information provided is not intended for public disclosure. Prices, specifications, and availability are subject to change without notice, and do not include certain fees, taxes and charges that may be required by law or vary by manufacturer or region. Performance figures are guidelines only, and actual performance may vary. Photos may not represent actual vehicles or exact configurations. Content based on report preparer's input is subject to the accuracy of the input provided.

Data Version: 17632. Data Updated: Oct 4, 2022 6:51:00 PM PDT.



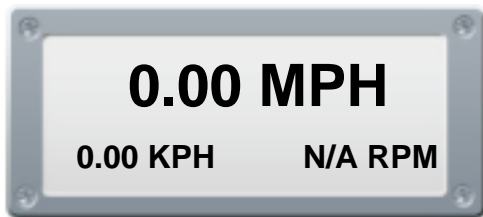
Vehicle: [Fleet] 2023 Chevrolet 5500XD LCF Diesel (CT61003) 2WD Reg Cab 109" (✔ Complete)

Geared Road Speed

SPECIFICATION SUMMARY

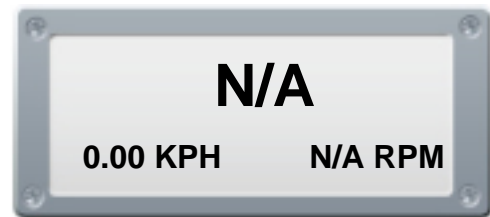
Model #	CT61003
Engine Order Code	I1B
Model Manufacturer	4HK1-TC
Type	Turbocharged Diesel I4
Displacement	5.2L/317
Horsepower	215 @ 2500
Starting Torque	N/A
Transmission Order Code	IR7
Model Manufacturer	Aisin A465
Type	6-Speed Automatic
Rear Axle Order Code	
Model Manufacturer	N/A
Weight Rating	13660 lbs
Ratio:1	5.571
Rear Tires	225/70R19.5
Revolutions/Mile Front	643
Revolutions/Mile Rear	643
Surface Type	Concrete
Desired Grade	2%

Geared Road Speed



0% Grade in gear

Actual Loaded Speed



2% Grade in gear

Note: Simulated speedometer appearance may not correspond with selected equipment.

This document contains information considered Confidential between GM and its Clients uniquely. The information provided is not intended for public disclosure. Prices, specifications, and availability are subject to change without notice, and do not include certain fees, taxes and charges that may be required by law or vary by manufacturer or region. Performance figures are guidelines only, and actual performance may vary. Photos may not represent actual vehicles or exact configurations. Content based on report preparer's input is subject to the accuracy of the input provided.

Data Version: 17632. Data Updated: Oct 4, 2022 6:51:00 PM PDT.

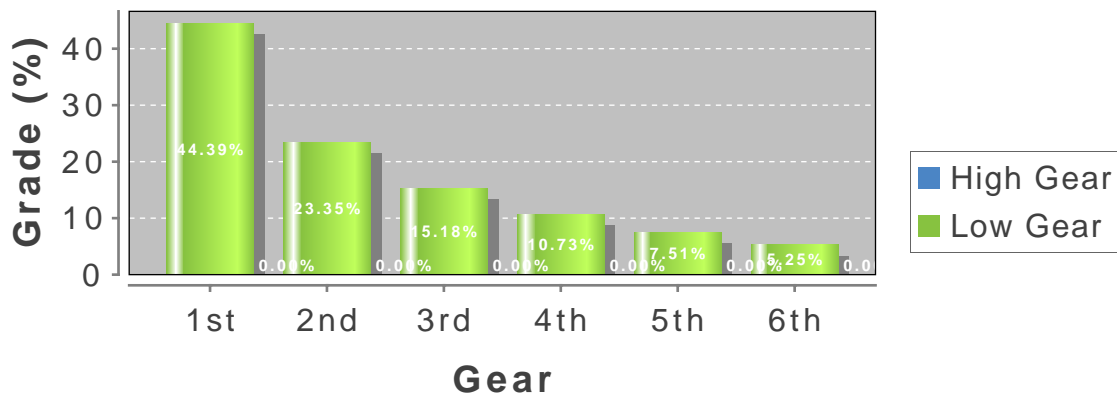


Vehicle: [Fleet] 2023 Chevrolet 5500XD LCF Diesel (CT61003) 2WD Reg Cab 109" (Complete)

Gradeability Chart

SPECIFICATION SUMMARY

Model #	CT61003
Engine Order Code	I1B
Model Manufacturer	4HK1-TC
Type	Turbocharged Diesel I4
Displacement	5.2L/317
Horsepower	215 @ 2500
Starting Torque	N/A
Transmission Order Code	IR7
Model Manufacturer	Aisin A465
Type	6-Speed Automatic
Rear Axle Order Code	
Model Manufacturer	N/A
Weight Rating	13660 lbs
Ratio:1	5.571
Rear Tires	225/70R19.5
Revolutions/Mile Front	643
Revolutions/Mile Rear	643
Surface Type	Concrete
Desired Grade	2%



This document contains information considered Confidential between GM and its Clients uniquely. The information provided is not intended for public disclosure. Prices, specifications, and availability are subject to change without notice, and do not include certain fees, taxes and charges that may be required by law or vary by manufacturer or region. Performance figures are guidelines only, and actual performance may vary. Photos may not represent actual vehicles or exact configurations. Content based on report preparer's input is subject to the accuracy of the input provided.

Data Version: 17632. Data Updated: Oct 4, 2022 6:51:00 PM PDT.



Vehicle: [Fleet] 2023 Chevrolet 5500XD LCF Diesel (CT61003) 2WD Reg Cab 109" (Complete)

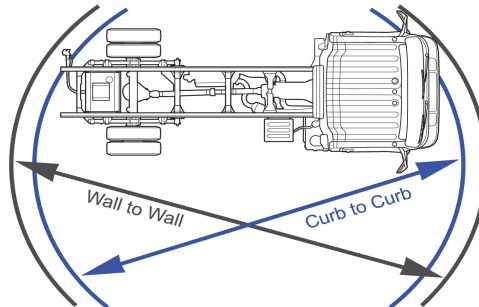
Turning Circle

SPECIFICATION SUMMARY

Model #	CT61003
Front Axle Order Code	
Capacity (lbs)	7275 lbs
Wheelbase Order Code	
Wheelbase (in)	109.0 in
Front Wheel Order Code	
Size/Type (in)	19.5 x 6 in
Front Tire Order Code	2TB
Size/Type	225/70R19.5

Wall to Wall (ft): 38.7 ft

Wall to Wall diameter is measured from the outermost part of the cab.



Curb to Curb (ft): 32.8 ft

Curb to Curb diameter is measured from the outside of the front tire.

This document contains information considered Confidential between GM and its Clients uniquely. The information provided is not intended for public disclosure. Prices, specifications, and availability are subject to change without notice, and do not include certain fees, taxes and charges that may be required by law or vary by manufacturer or region. Performance figures are guidelines only, and actual performance may vary. Photos may not represent actual vehicles or exact configurations. Content based on report preparer's input is subject to the accuracy of the input provided.

Data Version: 17632. Data Updated: Oct 4, 2022 6:51:00 PM PDT.