



Division of THC Enterprises, Inc.

Easton, MD * Baltimore, MD * Chesapeake, VA Chester, PA *
Clinton, MD * Cheswick, PA * Salem, VA

Phone 800-338-7274 Fax 410-820-9916

Visit us on the web! www.mawaste.com



PROPOSAL

Remittance Address for Deposits:

10641 Cordova Road
Easton, MD 21601

SOLD TO

SHIP TO

Quote #: RSSQ35996

VSA ALL AJV's

Virginia Sherriff's Association

Account:

Terms:

Date: 07/6/22

Sales Rep Fred Seitz

QTY	DESCRIPTION	UNIT PRICE	EXT PRICE
1.00	Vacall AJVR 1010	\$272,797.00	\$272,797.00
1.00	Vacall AJVR 1015	\$274,114.00	\$274,114.00
1.00	Vacall AJVR 1215	\$276,805.00	\$276,805.00
1.00	Vacall AJVR 812	\$263,730.00	\$263,730.00
1.00	Freight		



*Total does not include optional items

***F.E.T will be charged on all applicable items
unless current F.E.T Exemption form is on file.***

Any cancellation or modification of order will result in a 20% restocking charge to Buyer.

VACALL™ RECYCLER

GREEN
THAT WORKS

Jet sewer lines clear all day long without a drop of city water

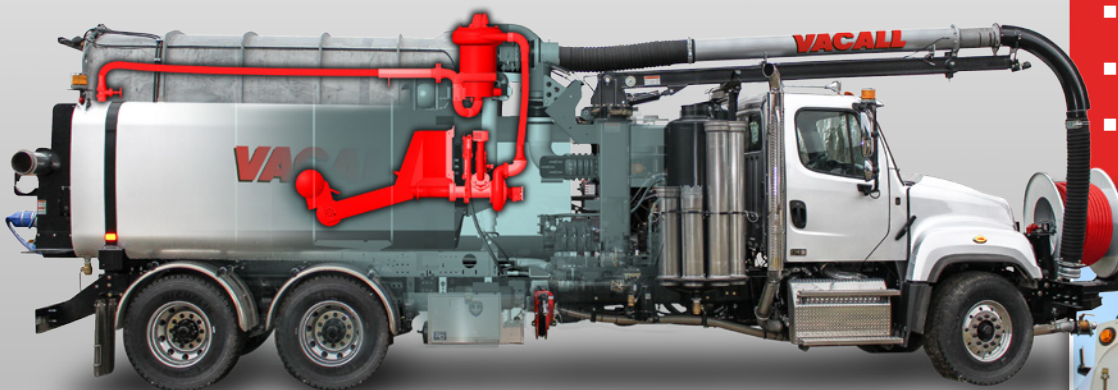
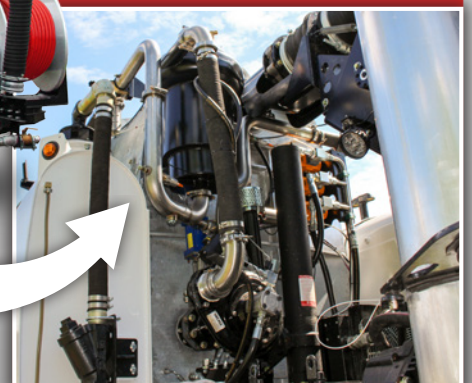
There's no need to load up city water to start work, or to stop several times a day for refills. In fact, the Vacall Recycler continuous water recycling system typically uses no city water at all for jetting.

Instead, the Recycler system vacuums existing water from sewer lines, filters the water in a five-step process and then re-uses the same water in the AllJetVac's high-powered jetting process.

An exclusive option for AllJetVac combination sewer cleaners, Vacall Recycler systems save time, money and the environment.

- Automatic, continuous filtering
- Increase productivity
- No filter change
- No back flushing after typical cleanout work
- No need for city water
- No need to stop work and drive to refill water tank
- Lower truck fuel consumption with less truck weight
- Minimal overall maintenance
- Low energy consumption
- High throughput rate
- Separate 240-gallon tank and pump for wash down

The Vacall Recycler system also includes a 240-gallon segregated clean water tank section attached to a 10 gpm pump and 50' hose reel for wash down.



VACALL™ RECYCLER

SAVE MILLIONS OF GALLONS OF CITY WATER EACH YEAR

One AllJetVac combination sewer cleaning truck can save an average of 5.7 million gallons of city water each year when it's equipped with a Vacall Recycler continuous water recycling system, designed to use no city water. The water savings calculation is based on typical municipality usage statistics – using 80 gallons of water per minute, six hours per day and 40 weeks per year. Individual city water savings may vary, based on jetting activity.

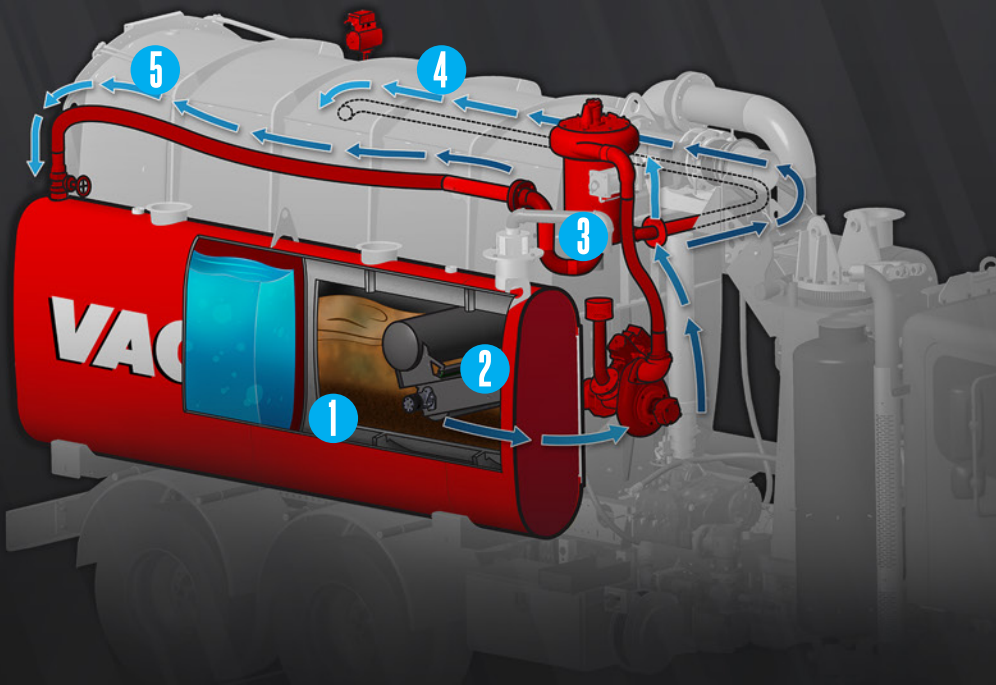
Designed for exceptional reliability and durability, the entire Vacall Recycler unit is located at the front of the AllJetVac debris body – away from rocks, stones or incidental contact with other vehicles.



- ✓ Vacall Recycler system filters and re-uses existing water in sewer line
- ✓ Control water usage and power with standard Vacall AllSmartFlow™ controls
- ✓ Single-engine machine saves fuel, maintenance and cost
- ✓ Lifetime warranties on standard and optional water and debris tanks

HOW IT WORKS

- 1 Vacuumed from sewer lines, water undergoes an initial sediment separation.
- 2 Floating V-Filtration screen, with back-flush self-cleaning capability, filters water.
- 3 Water moves through high-speed centrifugal action process to remove remaining tiny particles as small as 100 microns.
- 4 Solids and fine particles are moved to the debris tank via pressure regulating valve system.
- 5 Filtered water moves into tank for jetting.



VACALL™

Gradall Industries, Inc. • 406 Mill Ave. SW, New Philadelphia, OH 44663
Phone 330-339-2212 • Toll-free 800-382-8302 • Fax 330-339-8468 • www.vacall.com

Form No. 11631 8/16
Printed in USA
Certified ISO 9001

Designs, materials and specifications are subject to change without notice and without incurring any liability on units already sold. Some machine photos may show options.



VACALL™

AllJetVat

P Series

AllJetVat
P Series



SPECIFICATIONS

BLOWER

Blower - Roots 824@16"; 18" Rotary lobe direct drive.
Drive - Direct - OMSI air-shift transfer case.
Speed - 2470 rpm.
Blower Vacuum - 16" hg standard: (217" h20).
Blower Airflow - 5200 CFM Free Air.

DEBRIS TANK

Volumetric Capacity - 6, 8, 10, 12 cu yd
Dump Angle - 42°.
Sides - ASTM A572 Grd 50 Carbon Steel - 1/4", (.250) x 3/8", (.375).
Construction - Oval shape, cylindrical sides, wrap-around gussets.
Lifting - Hydraulic three-stage telescopic cylinder.
Tailgate - Heavy-duty Rear, full 90°, hydraulically-opening, with dual positive-locking reverse angle wedges.
Debris Body Safety Prop - Manually-operated single prop located on hoist frame near rear axles.
Tailgate Safety Prop - Located outside, beside tailgate driver side.

CONTROLS

All Smart Flow Control - Enclosed cabinet control box containing 12 volt CAN bus boom control joystick recessed for protection. LCD color display to increase/decrease engine RPM, water pressure, vacuum. Emergency stop button, water pump and blower hour meter.
Wired pendant - Wired pendant with 12 proportional push buttons; 3-position rotary switch, latching emergency stop.

HYDRAULIC SYSTEM

Hydraulic Pump - Pressure-compensated piston pump.
Capacity - 40 Gallon.
Return Filter - 10 Micron.

BOOM

Diameter - 8".
Front Boom Reach - 25'.
Rotation - 180°.
Work Area - 552 Sq. Ft.
Telescoping - 8', 6".
Capacity - 1,000 Lbs.

WATER SYSTEM

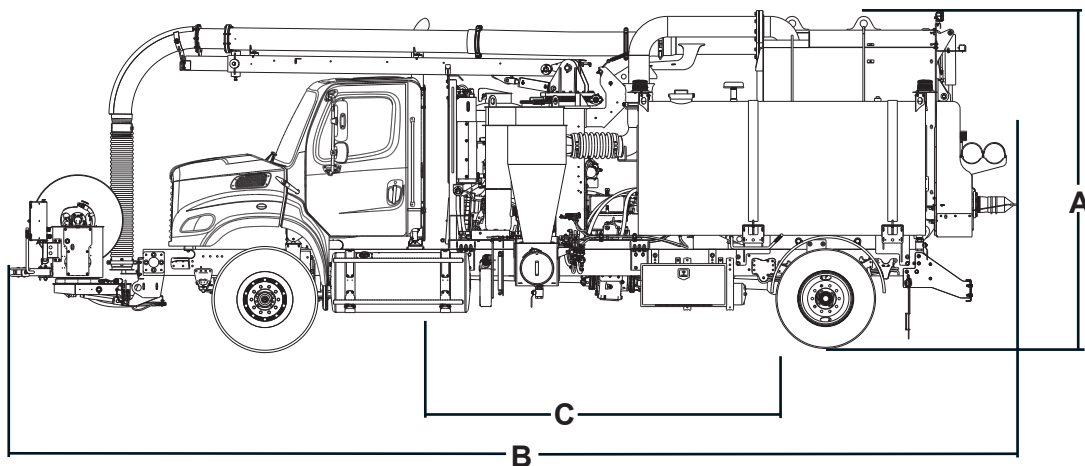
Water Tank Construction - High-quality, fully-welded aluminum.
Water Tank Capacity - 1,000 or 1,500 Gallons.
Pump Type - Hydraulically-powered triplex plunger.
System Flow - Variable-flow 85gpm @ 2,000 rpm.
Hose Reel - 1" Diameter hose, 800' capacity, direct-drive reel, 230° rotation.
Catch Basin Cleaning - Side-mounted handgun.
Filter - Inlet suction strainer.

OPTIONS

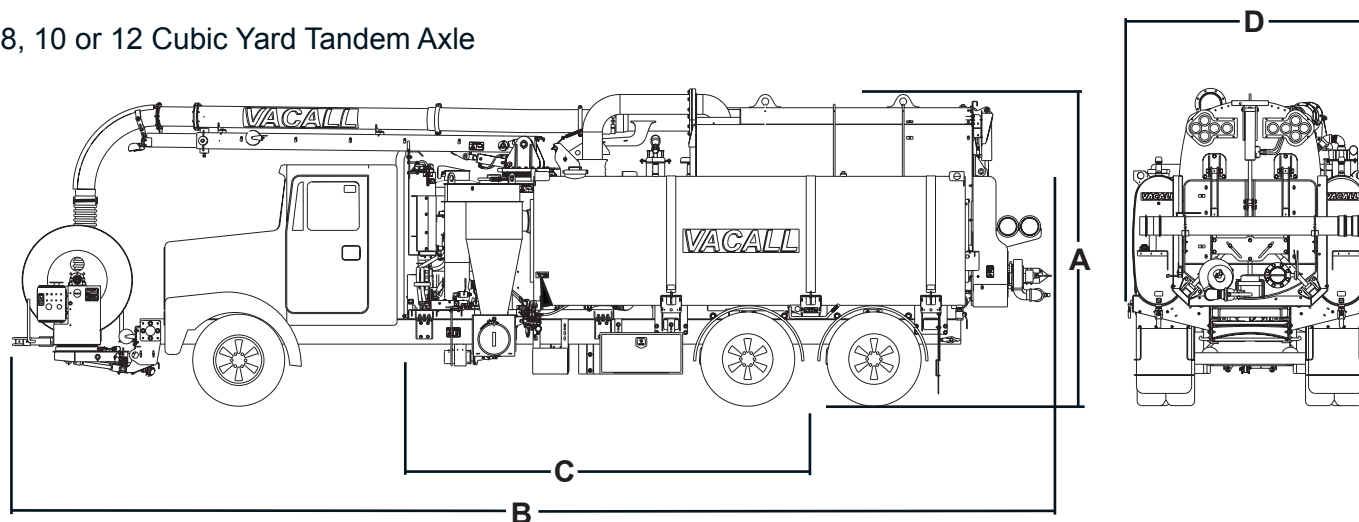
Sludge Pump - 710 gpm @ 10' head pressure.
Lighting - Strobe, work, directional, corner strobes.
Toolboxes/Tube Racks - Optional Aluminum or Carbon Steel.
Lateral Cleaning Reel - 2-1/2" Y Strainer on fill.
Internal Tank Flush - Optional.
Emergency Hydraulics - Optional Electric 12VDC.
Galvanized Debris Tank - Optional.
Cold Weather Recirculation - Optional Electric 12VDC.
Remote Grease Manifolds - Optional.
Air Purge - Optional.
Empty Water/Full Debris Electronic De-rate
Wireless Remote
High Dump

VACALL

6 Cubic yard Single Axle



8, 10 or 12 Cubic Yard Tandem Axle



DIMENSIONS	MACHINE MODEL NUMBERS			
	AJV610	AJV810	AJV1015	AJV1215
A. Overall Height	12'0"	12'0"	12'0"	12'0"
B. Overall Length	35'6"	35'6"	37'9"	38'9"
C. Clear CA Required	167"	167"	184.5"	198.5"
D. Overall Width	8'8"	8'8"	8'8"	8'8"

Certified ISO 9001

Form No. 11511 · Printed in U.S.A. · 3-15

Vacall machines are designed and manufactured by Gradall Industries, Inc, a world leader in the production of versatile, reliable maintenance machines. It is our policy to continually improve our products. Therefore, designs, materials and specification are subject to change without notice and without incurring liability on units already sold. NOTE: some options shown in pictures.



Gradall Industries, Inc. 406 Mill Ave SW New Philadelphia, OH 44663
 Phone: (330) 339-2211 Toll Free: (800) 382-6301 Fax: (330) 339-8468
 www.vacall.com

