

POLY BOX ROLL-OFF CONTAINER



SPECIFICATIONS

FLOOR SHEET	3/8" HIGH MOLECULAR WEIGHT POLYETHYLENE
CROSSMEMBERS	3" STRUCTURAL CHANNEL 4.1 LBS/FT 17.5" ON CENTERS
LONG RAILS	2" X 6" X 1/4" TUBING
FRONT WHEELS	8" DIAMETER X 6" WIDE <i>WITH GREASE ZERK</i> <i>(FRONT WHEELS STANDARD ONLY ON CABLE)</i>
REAR WHEELS	8" DIAMETER X 10" WIDE <i>WITH GREASE ZERK</i>
SIDE SHEET	3/8"
SIDE POSTS	4 WAY BENT 3" X 5" FORMED 24" ON CENTERS
TARP RAIL	5/8" ROUND BAR
TOP RAILS	3" X 4" X 7 GAUGE TUBING
BULKHEAD SHEET	3/8" HIGH MOLECULAR WEIGHT POLYETHYLENE
BULL NOSE	SOLID 1 1/4" PLATE BURNOUT
NOSE ROLLERS	HEAVY DUTY MACHINED 4" DIAMETER X 6" <i>WITH GREASE ZERK</i>
HOOK PLATE	23" X 15" X 3/4"
TAIL GATE SHEET	10 GAUGE
TAIL GATE FRAME	3" X 4" X 7 GAUGE TUBING
REAR CORNER POST	3 1/2" X 7" X 3/16" FORMED
HINGES	HEAVY DUTY SLIDER STYLE <i>WITH GREASE ZERK</i> <i>(THREE ON 54" OR HIGHER SIDES)</i>
LATCHES	VERTICAL LIFT HANDLE
PAINT	INTERIOR/EXTERIOR SOLVENT BASED PRIME EXTERIOR SOLVENT BASED TOP COAT



STANDARD PAINT COLORS

BLACK



BUCKS'® RED



MACK GREEN



VALVOLINE BLUE



Custom colors may result in increased cost and lead times.

CONTAINER OPTIONS

Options may result in increased cost and lead times.



CRASH PLATE



SIGN PLATE



BINDER ON GATE



ROLLING ROOF



SEALED DUMP GATE



SPLASH PLATE



DUAL HOOK-UP



TARP (MANY STYLES AVAILABLE)

STANDARD DIMENSIONS

Containers can be manufactured to customer specified dimensions and may result in increased costs and lead times.

<u>Yardage</u>	<u>Floor Length</u>	<u>Inside Height</u>	<u>Width</u>
10	12'	42"	96" Outside, 88" Inside
12	12'	48"	96" Outside, 88" Inside
15	14'	50"	96" Outside, 88" Inside
20	22'	42"	96" Outside, 88" Inside
25	22'	52"	96" Outside, 88" Inside
30	22'	62"	96" Outside, 88" Inside
35	22'	72"	96" Outside, 88" Inside
38	22'	78"	96" Outside, 88" Inside

ROLL-OFFS THAT WORK AS HARD AS YOU DO.

TRASH BOX REAR LOAD



SPECIFICATIONS

FLOOR SHEET	10 GAUGE
SIDE SHEET	12 GAUGE
TOP RAILS	FORMED 12 GAUGE (1.5-4YD) FORMED 10 GAUGE (6-8YD)
REINFORCED LIFTING POINT	FORMED 7 GAUGE (3-4YD) FORMED 1/4" GAUGE (6-8YD)
BOTTOM CHANNELS	FORMED 7 GAUGE (SKIDS)
DRAIN PLUG	3/4"
CASTERS	AVAILABLE FOR 1.5-4YD SIZES
LIDS	POLYMER (DIMENSIONS VARY BASED ON YARDAGE)
TRUNNION BAR	1 1/2" HOT FORMED BAR (1.5-4YD) 1 1/2" COLD FORMED BAR (6-8YD)
PAINT	INTERIOR/EXTERIOR PRIMER EXTERIOR TOP COAT (COMPLETE PAINT OPTION AVAILABLE)



STANDARD PAINT COLORS

BLACK



BUCKS® RED



MACK GREEN



VALVOLINE BLUE



K BROWN



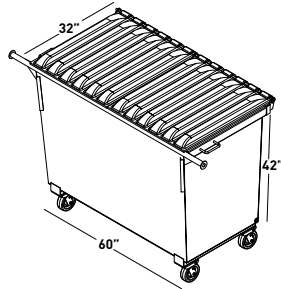
Custom colors may result in increased cost and lead times.



CONTAINER DRAWINGS

Containers can be manufactured to customer specified dimensions and may result in increased costs and lead times.

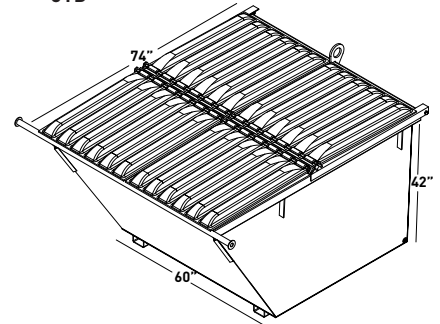
1.5YD



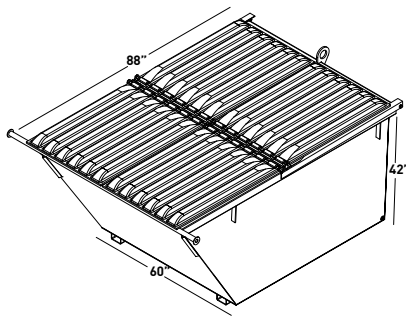
2YD



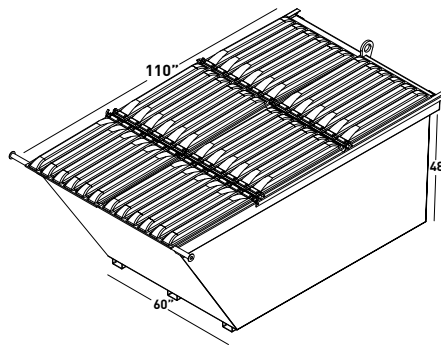
3YD



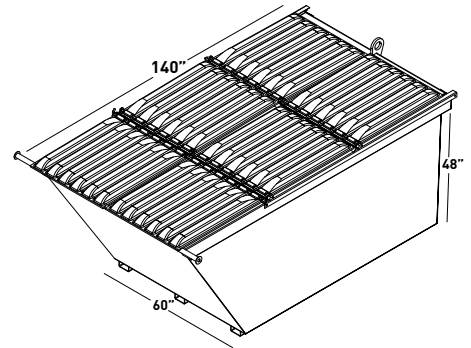
4YD



6YD



8YD



STANDARD DIMENSIONS

<u>Yardage</u>	<u>Load Height*</u>	<u>Dimensions (LxWxH)</u>	<u>Lid Size</u>	<u>Weight</u>	<u>Truck Load*</u>
1.5YD	44"	60" x 32" x 42"	31" x 36"	400lbs	82
2 YD	44"	60" x 39" x 42"	31" x 43"	450lbs	82
3 YD	44"	60" x 74" x 42"	36" x 58"	675lbs	35
4 YD	44"	60" x 88" x 42"	36" x 48"	740lbs	29
6 YD	53"	60" x 110" x 48"	36" x 58"	1,100lbs	19
8 YD	63"	60" x 140" x 48"	36" x 58"	1,300lbs	15

*Load Height is measured with the height of casters for 1.5-4YD.

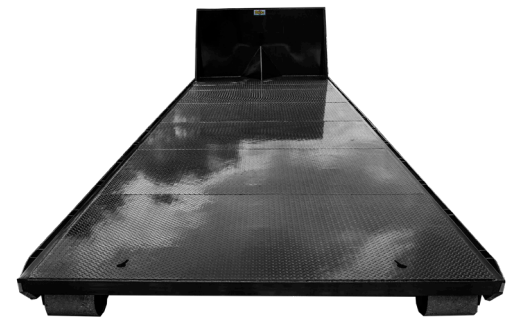
*Truckloads vary based on different truck and deck styles. Truckloads are subject to change.

FLATBED ROLL-OFF



SPECIFICATIONS

FLOOR SHEET	1/4" DIAMOND PLATE
CROSSMEMBERS	3" STRUCTURAL CHANNEL 4.1 LBS/FT 17.5" ON CENTERS
LONG RAILS	2" X 6" X 1/4" TUBING
FRONT WHEELS	8" DIAMETER X 6" WIDE <i>WITH GREASE ZERK</i> <i>(FRONT WHEELS STANDARD ONLY ON CABLE)</i>
REAR WHEELS	8" DIAMETER X 10" WIDE <i>WITH GREASE ZERK</i>
STAKE POCKETS	24" ON CENTERS
RUB RAIL	3/8" X 2" FLATBAR
BULKHEAD SHEET	10 GAUGE
PUSH PLATE	26" X 16" X 3/16"
BULL NOSE	SOLID 1 1/4" PLATE BURNOUT
NOSE ROLLERS	HEAVY DUTY MACHINED 4" DIAMETER X 6" <i>WITH GREASE ZERK</i>
HOOK PLATE	23" X 15" X 3/4"
PAINT	COMPLETE PRIME/PAINT



STANDARD PAINT COLORS

Custom colors may result in increased cost and lead times.

BLACK



BUCKS® RED



MACK GREEN



VALVOLINE BLUE



CONTAINER OPTIONS

Options may result in increased cost and lead times.



CHAIN RACKS



STAKE SIDES



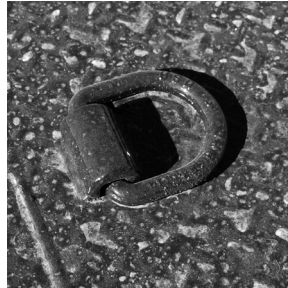
REMOVABLE SOLID SIDES



BULKHEAD WINDOW



BEAVER TAIL



D-RINGS (ON DECK OR RECESSED)



WOOD DECK/TRACKING



RECESSED HOOK-LIFT

STANDARD DIMENSIONS

Containers can be manufactured to customer specified dimensions and may result in increased costs and lead times.

Floor Length
8' -40'

Bulkhead Height
24" -72"

Width
96" Outside Rub Rail

ROLL-OFFS THAT WORK AS HARD AS YOU DO.

SLUDGE BOX ROLL-OFF CONTAINER



SPECIFICATIONS

Available in both Tub and Rectangular Design

FLOOR SHEET	1/4" BUTT WELDED
CROSSMEMBERS	3" STRUCTURAL CHANNEL 4.1 LBS/FT 12" ON CENTERS
LONG RAILS	2" X 6" X 1/4" TUBING
FRONT WHEELS	8" DIAMETER X 6" WIDE WITH GREASE ZERK (FRONT WHEELS STANDARD ONLY ON CABLE)
REAR WHEELS	8" DIAMETER X 10" WIDE WITH GREASE ZERK
SIDE SHEET	7 GAUGE
SIDE POSTS	3" X 5" FORMED 24" ON CENTERS
TARP RAIL	5/8" ROUND BAR
TOP RAILS	4" X 4" X 1/4" TUBING
BULKHEAD SHEET	7 GAUGE
PUSH PLATE	26" X 16" X 3/16"
BULL NOSE	SOLID 1 1/4" PLATE BURNOUT
NOSE ROLLERS	HEAVY DUTY MACHINED 4" DIAMETER X 6" WITH GREASE ZERK
HOOK PLATE	23" X 15" X 3/4"
TAIL GATE SHEET	7 GAUGE
TAIL GATE FRAME	3" X 4" X 7 GAUGE TUBING
REAR CORNER POST	3 1/2" X 7" X 3/16" FORMED
HINGES	HEAVY DUTY SLIDER STYLE WITH GREASE ZERK (THREE ON 54" OR HIGHER SIDES)
LATCHES	VERTICAL LIFT HANDLE
PAINT	INTERIOR/EXTERIOR SOLVENT BASED PRIME EXTERIOR SOLVENT BASED TOP COAT (COMPLETE PAINT OPTION AVAILABLE)



STANDARD PAINT COLORS

Custom colors may result in increased cost and lead times.

BLACK



BUCKS® RED



MACK GREEN



VALVOLINE BLUE



CONTAINER OPTIONS

Options may result in increased cost and lead times.



SEALED DUMP GATE



SIDE STIFFENERS



SPLASH PLATES



EXTRA BINDER(S)



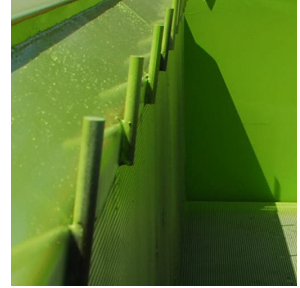
PLACARDS



DEWATERING BASKET



DUAL HOOK-UP



LINER HOOKS

STANDARD DIMENSIONS

Containers can be manufactured to customer specified dimensions and may result in increased costs and lead times.

<u>Yardage</u>	<u>Floor Length</u>	<u>Inside Height</u>	<u>Width</u>
10	12'	42"	96" Outside, 88" Inside
12	12'	48"	96" Outside, 88" Inside
15	14'	48"	96" Outside, 88" Inside
20	22'	42"	96" Outside, 88" Inside
25	22'	52"	96" Outside, 88" Inside
30	22'	62"	96" Outside, 88" Inside
35	22'	72"	96" Outside, 88" Inside
40	22'	82"	96" Outside, 88" Inside

Truck Style Inside Widths Differ

TUB STYLE ROLL-OFF CONTAINER



SPECIFICATIONS

FLOOR SHEET	3/16" BUTT WELDED
CROSSMEMBERS	3" STRUCTURAL CHANNEL 4.1 LBS/FT 16" ON CENTERS
LONG RAILS	2" X 6" X 1/4" TUBING
REAR WHEELS	8" DIAMETER X 10" WIDE <i>WITH GREASE ZERK</i>
SIDE SHEET	10 GAUGE
TOP RAILS	3" X 4" X 7 GAUGE TUBING <i>(4" X 4" over 12 ft)</i>
BULKHEAD SHEET	10 GAUGE
PUSH PLATE	26" X 16" X 3/16"
BULL NOSE	SOLID 1 1/4" PLATE BURNOUT
NOSE ROLLERS	HEAVY DUTY MACHINED 4" DIAMETER X 6" <i>WITH GREASE ZERK</i>
HOOK PLATE	23" X 15" X 3/4"
TAIL GATE SHEET	10 GAUGE
TAIL GATE FRAME	VERTICAL 3" X 4" X 7 GAUGE TUBING
REAR CORNER POST	3 1/2" X 7" X 3/16" FORMED
HINGES	HEAVY DUTY <i>WITH GREASE ZERK</i> <i>(THREE ON 54" OR HIGHER SIDES EXCEPT FOR BARN DOORS)</i>
LATCHES	VERTICAL LIFT HANDLE
PAINT	INTERIOR/EXTERIOR SOLVENT BASED PRIME EXTERIOR SOLVENT BASED TOP COAT <i>(COMPLETE PAINT OPTION AVAILABLE)</i>



STANDARD PAINT COLORS

Custom colors may result in increased cost and lead times.

BLACK



BUCKS® RED



MACK GREEN



VALVOLINE BLUE



CONTAINER OPTIONS Options may result in increased cost and lead times.



DUMP GATE



BARN DOOR GATE



FRONT OUTRIGGERS



ROOF (MANY STYLES AVAILABLE)



LADDER (ON FRONT)



TARP (MANY STYLES AVAILABLE)



SEALED GATE



BELLY BAND

STANDARD DIMENSIONS

Containers can be manufactured to customer specified dimensions and may result in increased costs and lead times.

<u>Yardage</u>	<u>Floor Length</u>	<u>Inside Height</u>	<u>Width</u>
10	10'	48"	88" Inside at Top, 69" Inside at Bottom
12	12'	48"	88" Inside at Top, 69" Inside at Bottom
15	14'	52"	88" Inside at Top, 69" Inside at Bottom
20	16'	60"	88" Inside at Top, 69" Inside at Bottom
20	22'	44"	88" Inside at Top, 69" Inside at Bottom
25	22'	54"	88" Inside at Top, 69" Inside at Bottom
30	22'	64"	88" Inside at Top, 69" Inside at Bottom
35	22'	74"	88" Inside at Top, 69" Inside at Bottom
40	22'	84"	88" Inside at Top, 69" Inside at Bottom

TOUGH BOX ROLL-OFF CONTAINER



SPECIFICATIONS

FLOOR SHEET	3/16" BUTT WELDED
CROSSMEMBERS	3" STRUCTURAL CHANNEL 4.1 LBS/FT 24" ON CENTERS
LONG RAILS	2" X 6" X 3/16" TUBING
REAR WHEELS	8" DIAMETER X 10" WIDE <i>WITH GREASE ZERK</i>
SIDE SHEET	12 GAUGE
SIDE POSTS	3" X 5" FORMED 24" ON CENTERS
TARP RAIL	5/8" ROUND BAR
TOP RAILS	3" X 3" X 1/8"
BULKHEAD SHEET	12 GAUGE
PUSH PLATE	26" X 16" X 3/16"
BULL NOSE	SOLID 1 1/4" PLATE BURNOUT
NOSE ROLLERS	HEAVY DUTY MACHINED 4" DIAMETER X 6" <i>WITH GREASE ZERK</i>
HOOK PLATE	23" X 15" X 3/4"
TAIL GATE SHEET	12 GAUGE
TAIL GATE FRAME	VERTICAL 3" X 3" X 11 GAUGE TUBING
REAR CORNER POST	2 3/4" X 7" X 3/16" FORMED
HINGES	HEAVY DUTY <i>WITH GREASE ZERK</i> (THREE ON 54" OR HIGHER SIDES EXCEPT FOR BARN DOORS)
LATCHES	VERTICAL LIFT HANDLE
PAINT	INTERIOR/EXTERIOR SOLVENT BASED PRIME EXTERIOR SOLVENT BASED TOP COAT (COMPLETE PAINT OPTION AVAILABLE)



STANDARD PAINT COLORS

BLACK



BUCKS® RED



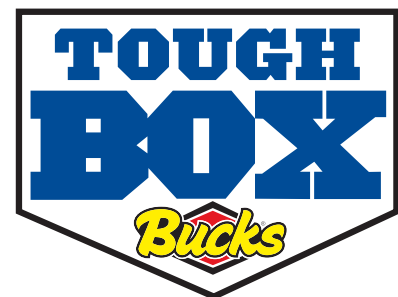
MACK GREEN



VALVOLINE BLUE



Custom colors may result in increased cost and lead times.



CONTAINER OPTIONS

Options may result in increased cost and lead times.



FRONT WHEELS



SIGN PLATES



TARP (many styles available)



BARN DOORS

STANDARD DIMENSIONS

Containers can be manufactured to customer specified dimensions and may result in increased costs and lead times.

<u>Yardage</u>	<u>Floor Length</u>	<u>Inside Height</u>	<u>Width</u>
10	12'	42"	96" Outside, 88" Inside
12	12'	48"	96" Outside, 88" Inside
15	14'	48"	96" Outside, 88" Inside
20	22'	42"	96" Outside, 88" Inside
25	22'	52"	96" Outside, 88" Inside
30	22'	62"	96" Outside, 88" Inside