



Division of THC Enterprises, Inc.

Easton, MD * Baltimore, MD * Chesapeake, VA Chester, PA *
Clinton, MD * Cheswick, PA * Salem, VA

Phone 800-338-7274 Fax 410-820-9916
Visit us on the web! www.mawaste.com



PROPOSAL

Remittance Address for Deposits:

10641 Cordova Road
Easton, MD 21601

SOLD TO

SHIP TO

Quote #: RSSQ37722

VSA 2022 ALL AE's

VSA

Account:

Terms:

Date: 07/05/22

Sales Rep Fred Seitz

QTY	DESCRIPTION	UNIT PRICE	EXT PRICE
1.00	Vacall AE 1010	\$276,115.00	\$276,115.00
1.00	Vacall AE 1213	\$284,947.00	\$284,947.00
1.00	Freight		
1.00			



*Total does not include optional items

***F.E.T will be charged on all applicable items
unless current F.E.T Exemption form is on file.***

Any cancellation or modification of order will result in a 20% restocking charge to Buyer.

VACALL™

AllExcavate

AllExcavate



SPECIFICATIONS

BLOWER

Blower - Roots
Model 1125 DVJ Tri-Nado
Type: Tri-Lobe Direct Drive
Drive - OMSI air-shift transfer case, power frame-mounted
Speed - 2000 RPM
Blower Vacuum - 27" HG (685.8mm)
Blower Airflow - 2,812 CFM @ 27" HG (79.6m³/min @ 685.8mm HG), 5,800 CFM (164m³/min) free air

DEBRIS TANK

Volumetric Capacity - 10 or 12 Yds.
Dump Angle - 42°
Sides - .250" (6.4mm) thick steel
Construction - Oval shape, cylindrical sides, wrap-around gussets plus rear-mount boom
Lifting - Hydraulic 3-stage telescopic cylinder
Tailgate - Heavy-duty rear full 90° hydraulically-opening with dual positive locking reverse-angle wedges
Debris Body Safety Prop - Single prop manually-operated, located on hoist frame near rear axles
Tailgate Safety Prop - Located outside beside tailgate driver side

COLD WEATHER

Cabinets - Welded aluminum, fully insulated & heated
Boiler - Stainless steel diesel-fired water heater, 400,000 BTU capacity, 12 VDC pump, 3,500 PSI pressure relief, 180° maximum water temperature

CONTROLS

AllSmartFlow Control Panel - Enclosed cabinet control box containing: CAN bus boom control joystick recessed for protection. LCD color display to increase/decrease engine RPM, water pressure, vacuum. Emergency stop button, water pump hourmeter & blower hourmeter
Wired Pendant - Flex Pro wired pendant with 12 proportional push button; 3-position rotary switch, latching emergency stop

HYDRAULIC SYSTEM

Hydraulic Pump - Pressure-compensated piston pump with JIC fittings
Hydraulic Reservoir - 36 gallon (136.3L)
Suction Filter - 150 micron
Return Filter - 10 micron

VACUUM HOSE

Hose Construction - Smooth bore NR/SBR liner
Hose - 8" bore X 72" long vertical

GENERAL SPECIFICATIONS

Drive - Split shaft PTO with direct drive to blower
Silencer - Inlet & outlet silencers based on blower requirements
Electrical - 12 volt CAN bus system with sealed connectors

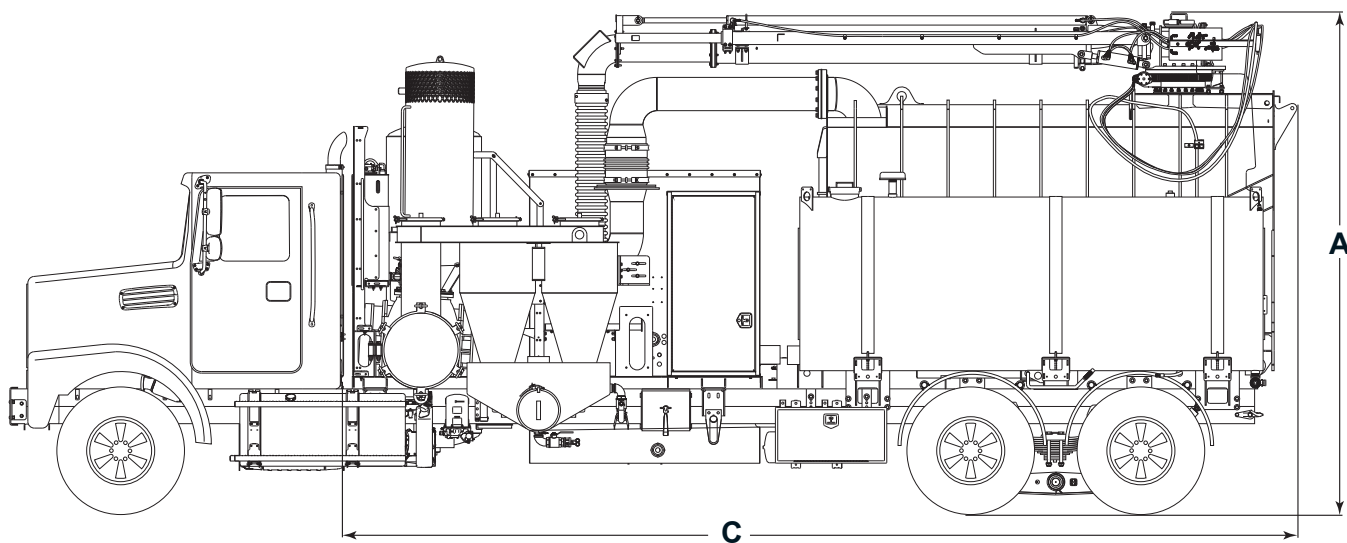
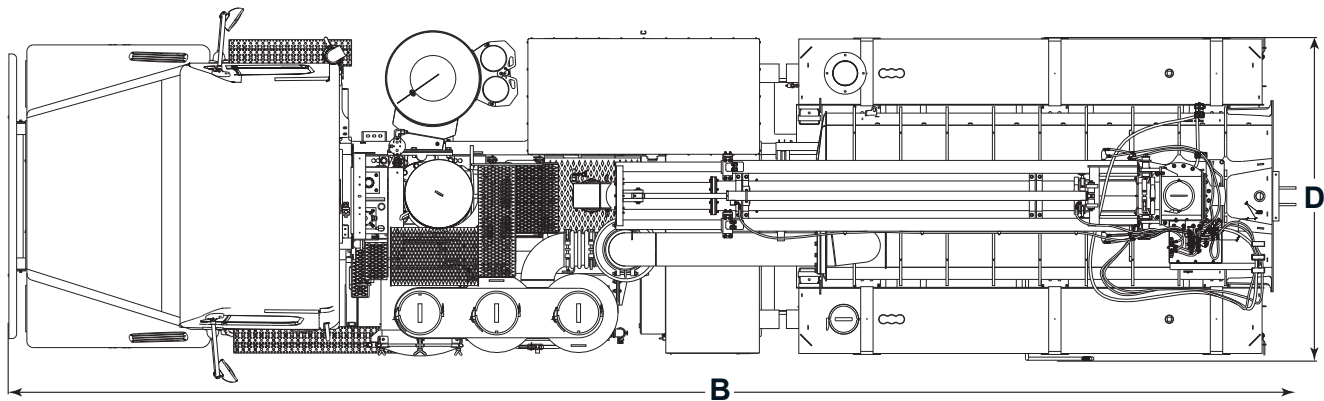
WATER SYSTEM

Water Tank Construction - High-quality fully welded aluminum
Water Tank Capacity - 1,300 gal. (5,910L)
Pump Type - Hydraulically powered triplex plunger
System Flow - 10 GPM @ 3,000 PSI (37.9 LPM @ 206.8 BAR)
Hose Reel - .5" (1.3cm) diameter hose, 50' (15.2m) capacity spring rewind
Spray Wand - Handgun with nozzle & extension
Filter - In-line suction strainer on pump inlet

OPTIONS

Wireless Pendant - Controls all boom functions, engine RPM, vacuum relief, emergency stop, water pump speed
Sludge Pump
Brass Slam Valve
Full Load Indicator
Hydraulic Debris Body Vibrator
Anti-Siphon Fill
Hydrant Fill Hose
Platforms & Steps
Work Lights
Strobe Lights
Tool Boxes
700,000 BTU Boiler
900,000 BTU Boiler
Water Pump - 25 GPM @ 3,000 PSI (94.6 LPM @ 206.8 BAR)
Debris Flushing - Full flow 25 GPM @ 1,700-2,000 PSI (94.6 LPM @ 117.2-137.9 BAR)
Vacuum Tube Racks

VACALL



DIMENSIONS	MACHINE MODEL NUMBERS			
	AE1010	AE1013	AE1210	AE1213
A. Overall Height	13' 6", (4.1m)	13' 6", (4.1m)	13' 6", (4.1m)	13' 6", (4.1m)
B. Overall Length	36' 7", (11.2m)	36' 7", (11.2m)	38' 7", (11.8m)	38' 7", (11.8m)
C. Clear CA Required	217.5", (5.5m)	217.5", (5.5m)	241.5", (6.1m)	241.5", (6.1m)
D. Overall Width	8' 8", (2.6m)	8' 8", (2.6m)	8' 8", (2.6m)	8' 8", (2.6m)

NOTE: All dimensions shown are applicable to Freightliner 114-SD Chassis only.

Certified ISO 9001 • 7-12

Form No. 11304 • Printed in U.S.A.

Vacall machines are designed and manufactured by Gradall Industries, Inc, a world leader in the production of versatile, reliable maintenance machines. It is our policy to continually improve our products. Therefore, designs, materials and specification are subject to change without notice and without incurring liability on units already sold. NOTE: some options shown in pictures.

VACALL

Gradall Industries, Inc. 406 Mill Ave SW New Philadelphia, OH 44663
 Phone: (330) 339-2211 Toll Free: (800) 382-6301 Fax: (330) 339-8468
 www.vacallindustries.com

GRADALL
 INDUSTRIES, INC.
Where Ingenuity Works

A ALAMO GROUP

High-Performance

Hydro Excavator

AllExcavate VACALL™

...With High Pressure and Vacuum System

AllExcavate models reflect the superior water pressure and vacuum forces that have established Vacall as an industry leader, efficiently excavating around water lines, sewer lines and other underground utilities. For optimum operating efficiency and cost control, the AllExcavate design uses one engine to power the chassis and also provide power for vacuum and jetting functions – a design that slashes fuel consumption, eliminates emissions from a second engine and reduces costs and downtime for routine maintenance.

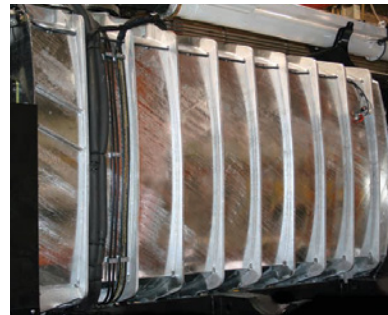
FEATURES & BENEFITS

High pressure water system

A hydraulically driven variable speed system has a digital control to vary the water volume and capacity output, conserving water usage and minimizing refill time.

An available variable water pump produces up to 24.5 gpm with up to 3,000 psi. The system powers a wand, delivering a high pressure stream to break up material.

A self-wind reel has 75 feet of high pressure hose, while an optional hose reel has up to 350 feet of high pressure hose.



Rugged debris bodies that are built to last

An oval shape with cylindrical sides creates extra strength and efficient material dumping. Powder coat paint creates a heavy-duty, durable finish, while the optional galvanized tanks carry a lifetime warranty.

Water tanks have lifetime warranty

Water tanks are fabricated with high quality aluminum for extra strength with a lifetime warranty. Tanks are mounted above the rear fenders, reducing the possibility of damage from highway debris, rocks and stones. Tank position also creates positive head pressure to the water pump inlet.



Productivity in frigid weather

In sub-zero temperatures, operators can use a heated step-in compartment to change clothing and store a handgun and extensions. Cabinets are heated to keep hose, reel and water pumps from freezing.



AllSmartFlow™ intelligent control system is standard

AllSmartFlow™ is an innovative CAN bus control system, located inside a protective cabinet, allowing operators to efficiently make more precise adjustments in boom movement. The programmable color LCD display provides detailed information about engine performance, water flow, water pressure and vacuum functions. A fully proportional pendant, either wired or using wireless capability, is designed for productive control away from the chassis.



Double-cyclone filtration

A multi-stage vacuum filtration system has a simplified design to reduce maintenance, extend performance and increase working life. As material is deposited into the debris body, air continues to move through a dual cyclone separator where more material particles and moisture are removed. The filtered air then passes through the blower, the silencer and the exhaust.

Tailgate design you'll appreciate

A simple, rugged design with a single control allows the operator to open, close and lock the tailgate. Reverse slope lock wedges actually tighten under the weight of the load. A D-ring gasket and shimmed hinge points create a superior seal and performance.



High-Dump Option

Raise the debris tank as much as 76 inches above ground level and shifting back 21 inches to dump material into rolloffs or other containers, rather than travel to offsite dumping locations.



Choose from three boom/hose options

Three different boom and hose options accommodate customer preferences. One design that uses a heavy-duty full-length rubber hose is both durable and flexible with a gum rubber lining that runs from the turret mounted on the debris tank out to the pick-up point. A steel tube-in-tube boom and intake connects to an identical rubber hose elbow that leads to the pick-up point. And the original steel tube-in-tube design has a steel elbow boom and intake tube — the industry standard for strength and durability.



VACALL Hydro Excavator Models - Basic Specifications

	AE 1010	AE 1013	AE 1213
Debris Tank	10 yard ³		12 yard ³
Water Tanks	1,000 gallons	1,300 gallons	1,300 gallons
Hose Reel	75' high pressure hose on self-winding reel		
Boom	8'6" extending boom 330° rotation		

Certified ISO 9001 • 12/14
Form No. 11421 • Printed in U.S.A

Vacall machines are designed and manufactured by Gradall Industries, Inc., a world leader in the production of versatile, reliable maintenance machines. It is our policy to continually improve our products. Therefore, designs, materials and specifications are subject to change without notice and without incurring any liability on units already sold. NOTE: some options shown in pictures.



Gradall Industries, Inc. • 406 Mill Ave SW • New Philadelphia, OH 44663
Phone: (330) 339-2211 • Toll-Free: (800) 382-8302 • Fax: (330) 339-8468
www.vacallindustries.com

