

FEATURES
6,200 LB TRUE
DUMP CAP
POWDERCOAT PAINT
3 YR WARRANTY

MAGNUM

TC-101 PICKUP DUMP INSERT (6.5' or 8')

TC-101 P/N

D1-05242 (WT 632)

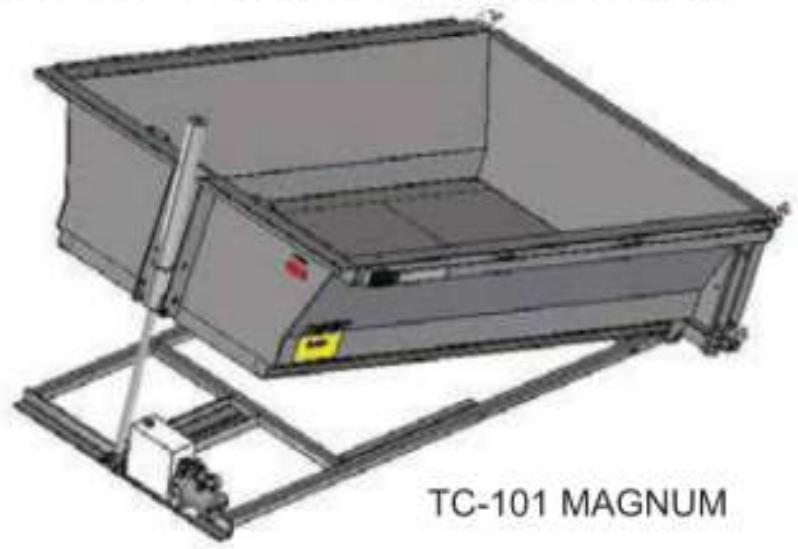
"
"
"

D1-05512 (WT 558) **SHORTBED MODEL** Requires min. 49" between wheel wells

OK to mix and match Full size & Short bed TC-101's for qty discount.

Two bolt installation hardware kit included with each insert.

No height spacer required.



TC-101 MAGNUM



- Save time and labor on all your projects
- Get more work from one truck
- Increase your operating profits
- Pre-assembled unit installs quickly
- Three year warranty



TC-101 MAGNUM DUMP INSERT



SAVING YOU TIME AND MONEY.

Dump Insert

The NEW TruckCraft MAGNUM body is designed for the extreme demands of the professional user. MAGNUM provides ultimate durability and value by using reinforced and welded steel construction, weight-saving aluminum components, and durable powder coat finish. The steep 47° dump angle assures quick, complete unloading from any pickup.



Remote Dump Control

The remote dump control buttons activate the motor/hydraulic pump from within the cab or up to 12 feet away. Every TC-101 MAGNUM is factory pre-assembled and tested prior to shipment.



Power System

A compact MONARCH™ power unit produces the hydraulic pressure to dump MAGNUM with a maximum 6,200 lb load. Lift cycle time is a fast 23 seconds. The #4 gauge battery cables with 150 AMP re-settable circuit breaker are standard, and allow you to turn off power under the hood to prevent unauthorized operation of the insert.



Body Subframe

The subframe of the TC-101 MAGNUM is made entirely of weight-saving 6061 T6 alloy aluminum extrusion, so it never rusts, never needs re-painting, and T6 is top rated against salt corrosion for extreme durability.



Cab Protector and Tarp (optional)

The TruckCraft Pickup Dumper cab protector safeguards the rear window and extends over a portion of the truck top. The tarp system can be added to completely cover the load in the bed.



Stake Pockets and Tie-Down Rail

Ten stake pockets (four per side, two at front) for two-by-fours plus an external tie-down rail are standard and make increasing the cubic volume of MAGNUM easy. Add our five-quarter pressure treated sideboards as an option, or make your own.



Tailgate and Hardware

MAGNUM's full height twelve gauge tailgate hinges top and bottom on 3/4" bushed pins, and opens flat for full access. Control chains allow smooth, variable spreading and include sleeves to protect the powder coat finish. All hardware is cadmium plated and is attached with lanyards to prevent loss.

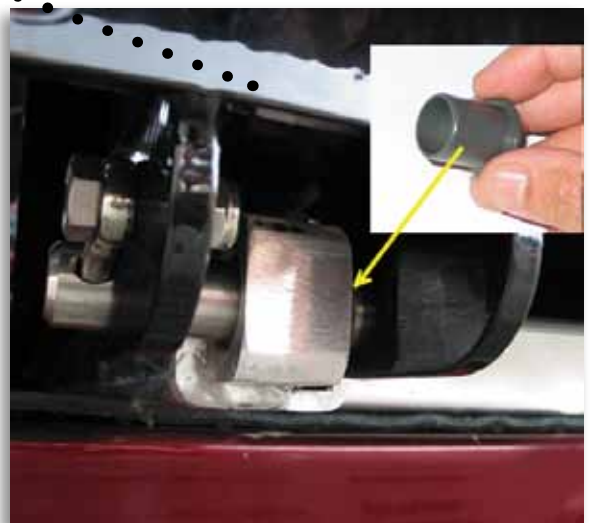
Low Maintenance Bed Operation

The NEW MAGNUM is designed to operate year in and year out with virtually no maintenance. There are no grease fittings because the 3/4" diameter stainless steel dump hinge pins and telescopic cylinder pivots all rotate smoothly and safely on lubed-for-life bushings. So checking the hydraulic fluid level twice a year, an occasional washing, and daily inspection for debris or damage are just about all MAGNUM needs to be well-groomed and work-ready.



Hoist System

MAGNUM's heavy duty 3-stage telescopic cylinder is more efficient than a scissors hoist, and places the floor of the dump insert low, at less than 5" above your pickup floor. That means a safer, lower center of gravity, more cubic volume, and less height to heft those hand-loads.



**"You will like what you see...
and it will put profits in your pocket."**



TC-101 Magnum Specifications

Models for 6.5' or 8' Pickups
 Dumps 6,200 lbs
 Powdercoat Finish
 T6 Alloy Alum Subframe
 3-Stage Telescopic Cylinder
 2.5 cu yd Capacity
 Insert Weight 600 Lbs(8')
 47° Dump Angle
 Connects to Truck Battery
 150 Amp Resettable Circ Brkr
 No Height Spacer Required
 23 Second Cycle Time
 48.5" X 99" Cargo Area (8')
 1-2 Hour Installation
 3 Year Warranty

*Photos may show optional accessories

Quickly Unloads:

- Sand
- Mulch
- Coal
- Gravel
- Firewood
- Trash
- Concrete
- Compost
- Manure
- Grain
- Topsoil
- Building Materials

TruckCraft has combined innovation, durability and experience to bring you the TC-101 MAGNUM, a high quality steel Pickup Dump insert. Now you can achieve more with your standard pickup truck:

Haul like a pickup truck / Unload like a dump truck/ Save hours of labor/ Produce greater profits

The TC-101 is manufactured to the highest quality standards. It will complement the appearance as well as the usefulness of your pickup. Every feature has been designed and built tough to serve you for years. MAGNUM features include a three-stage telescopic lift cylinder, a heavy duty three-way tailgate; virtually maintenance free power operation; a floor capable of handling a full sheet of plywood with the gate closed; and a premium powdercoat finish that has been grit-blast-prepped for a premium, durable finish that will look great in any truck. The unit can be installed in your truck by you in just two hours with common hand tools. Just drill two holes, bolt down two bolts, hook up the battery cables and you're ready to go to work.

At TruckCraft we are proud of the products we manufacture. We include a full three-year warranty with every dump insert model because we know that the quality construction of our units will outlast two or three new pickups. Compare our quality and features and you too will become a proud and satisfied TruckCraft owner.



TM

1-800-755-DUMP
www.truckcraft.com

5751 Molly Pitcher Highway South, Chambersburg, PA 17202
 717-375-2900 FAX 717-375-2975

TC101-12/09-10m Printed in the U.S.A. ©2010 TruckCraft Corporation

TruckCraft reserves the right to make product changes and modifications without prior notice.