



Interchangeable Truck Body System

DUMPSTER BODY



FEATURES

- Structural steel construction
- Bodies will be powder coated or wet painted, depending on available build facility
- Body widths are 88" inside and 96" outside
- Interior side heights are 51" or 53", depending on the style chosen
- Standard 6" steel ground rollers

TO FIND A DEALER IN YOUR AREA



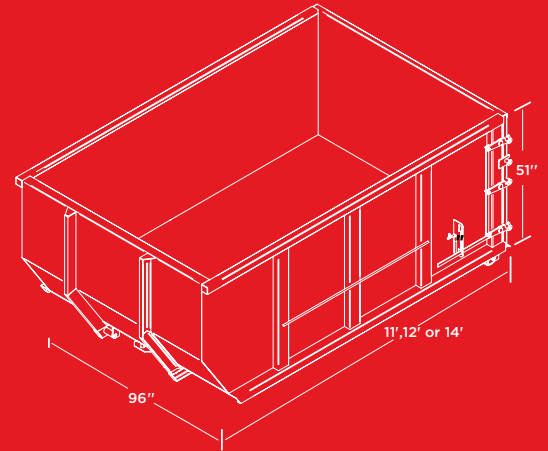
FORMED
TOP RAIL



3"X3" TUBING
TOP RAIL

SPECIFICATIONS

| | FORMED TOP RAIL | TUBING TOP RAIL |
|---------------------------------------|--|-----------------------|
| TOP RAIL | FORMED TOP RAIL | 3" X 3" X 1/8" TUBING |
| SIDE HEIGHT | 53" | 51" |
| CROSSMEMBERS | FORMED 3" CROSSMEMBERS ON 18" CENTERS | |
| TAILGATE | 2" X 2" X 1/8" TUBING TUBULAR FRAME WORK SINGLE SWING GATE | |
| SIDES/FRONT/TAILGATE | 12 GA SHEET | |
| REAR CORNER POST | 12 GA SHEET | |
| FLOOR | 12 GA SHEET | |
| OPTIONS | NONE | |
| AVAILABLE SIZES | 11' / 12' / 14' | 11' / 12' / 14' |
| APPROXIMATE HEAPED CUBIC YARDS | 15 / 16 / 20 | 14 / 15 / 17 |
| WEIGHT (LBS) | 2030 / 2160 / 2380 | 2080 / 2210 / 2440 |



Black powder or wet paint. No seam seal or options. May be produced in two different production facilities Location will be confirmed when ordering shipment.

Specifications are subject to change without notice. For warranty information on this or any other Switch-N-Go® product please refer switchngo.com/warranty.



Interchangeable Truck Body System

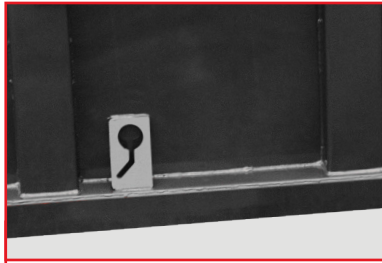
DROP BOX



FEATURES

- High quality zinc prime & powder coated finish
- Two build grades available
- Standard 6" steel ground rollers
- Optional curb side door
- Custom options available

TO FIND A DEALER IN YOUR AREA



Keychain Brackets



**Curbside Door
(optional)**

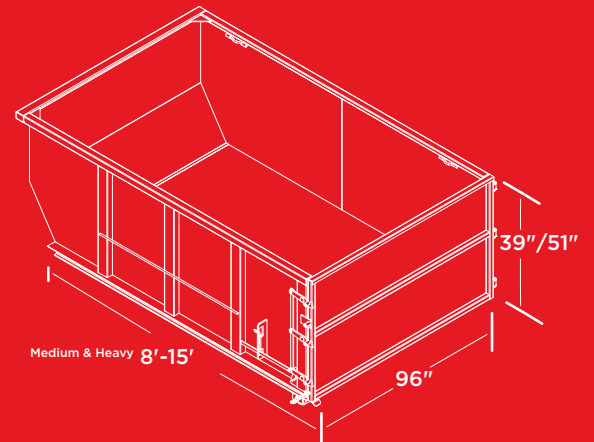


**Available in
Single Swing
or Barn Doors**



SPECIFICATIONS

| | MEDIUM DUTY | HEAVY DUTY |
|-----------------------------|--|--|
| FLOOR | 10 GA | 3/16" |
| SIDE POSTS | 2-3 POSTS PER SIDE, 12 GA SHEET | 30-36" ON CENTER POSTS, 12 GA SHEET |
| CROSSMEMBERS | 3" STRUCTURAL CHANNEL, 16" ON CENTER | 3" STRUCTURAL CHANNEL, 12" ON CENTER |
| TOP RAIL | 3" X 3" X 1/8" TUBING | |
| TAILGATE | 3" STRUCTURAL CHANNEL, 16" ON CENTER | |
| SIDE HEIGHTS | 39" & 51" | 36" & 48" |
| SIDES/FRONT/TAILGATE | 12 GA SHEET | |
| REAR CORNER POST | 7 GA SHEET | |
| OPTIONS | CURBSIDE DOOR / WELDED D-RINGS CAB SHIELD | |



Specifications are subject to change without notice. For warranty information on this or any other Switch-N-Go® product please refer switchngo.com/warranty.



Interchangeable Truck Body System

ARBOR BODY WITH SECTIONAL REMOVABLE ROOF



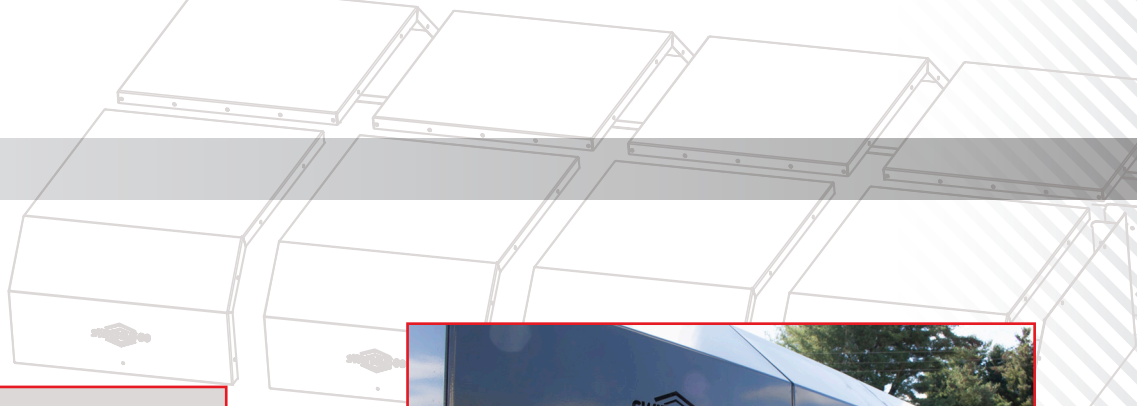
51" side height and 39" SS tailgate pictured



FEATURES

- High quality zinc prime & powder coated finish
- Rear gate available in three heights
- Removable sectional roof - mounting hardware included
- Standard 6" steel ground rollers
- Custom options available

TO FIND A DEALER IN YOUR AREA



**24" Rear Cover Plate
Optional**



Removable Chipper Roof

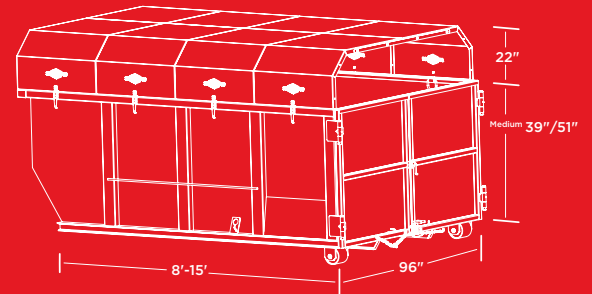


**Single Swing or Barn Doors
(Not available on 8' MDRB models)**



SPECIFICATIONS

| MEDIUM DUTY | |
|-------------|--|
| FLOOR | 10 GA |
| SIDE POSTS | 2-3 POSTS PER SIDE, 12 GA SHEET |
| TAILGATE | 2" X 2" X 1/8" TUBING TUBULAR FRAME WORK FORMED 12 GA SHEET |
| TOP RAIL | 3" X 3" X 1/8" TUBING |
| ROOF | 12 GA SHEET 22" HIGH WITH TOP SUPPORT 37" LONG SECTIONS - ALSO AVAILABLE INDIVIDUALLY 2" X 2" X 1/8" AND 8" ANGLE EDGE MESH VENTS ON BOTH SIDES |
| BULKHEAD | 12 GA SHEET |
| OPTIONS | 24" REAR COVER PLATE, BARN DOOR HEIGHTS 24", 36", AND 39" |



Specifications are subject to change without notice. For warranty information on this or any other Switch-N-Go® product please refer switchngo.com/warranty.



Interchangeable Truck Body System

MULCHMATE® BODY



FEATURES

- Designed for use with MulchMate® DS1000 (Mulch Mate® DS1000 and Switch-n-Go® MulchMate® Body are sold separately)
- Retractable legs for off truck use and off season storage
- Curb Side Door for access to the front of the container
- High quality powder coating finish
- Available in 11' & 14' lengths

TO FIND A DEALER IN YOUR AREA

PARTNERSHIP WITH



Curbside Door



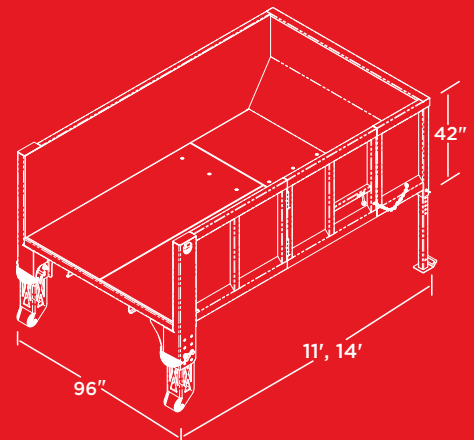
Retractable Legs



Compatible with MulchMate® DS1000

SPECIFICATIONS

| | 11' | 14' |
|----------------------|---|-----|
| FLOOR | 10 GA | |
| SIDES | 12 GA | |
| SIDE HEIGHT | 42" | |
| LEGS | 4 RETRACTABLE LEGS | |
| CROSSMEMBERS | FORMED AND INTEGRATED FOR ADDED STRENGTH | |
| CURB SIDE DOOR | 52"W X 42" H WITH LATCHING MECHANISM AND SAFETY CHAIN | |
| REAR POSTS | 1/4" THICK FOR ADDED STRENGTH | |
| SYSTEM COMPATIBILITY | 11' | 14' |



Specifications are subject to change without notice. For warranty information on this or any other Switch-N-Go® product please refer switchngo.com/warranty.



Interchangeable Truck Body System

STORAGE BODY



FEATURES

- High quality zinc prime & powder coated finish
- Lockable security-style doors
- 72" side height & 6" peak roof
- Standard 6" steel ground rollers
- Custom options available

TO FIND A DEALER IN YOUR AREA



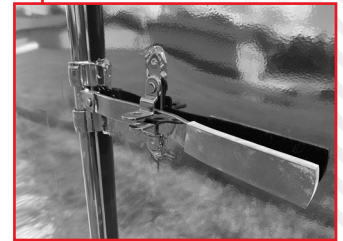
Standard Exterior Posts



Peak Roof



Internal Posts (optional)

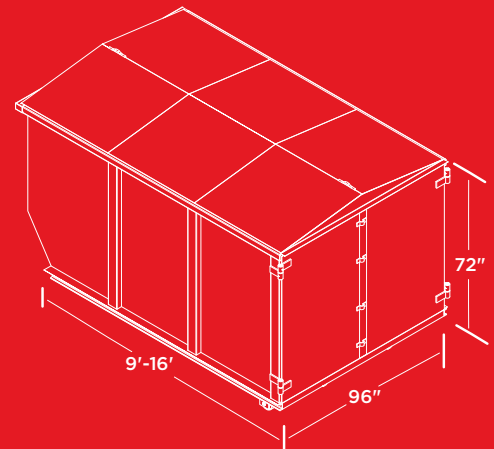


Lockable Security Style Doors

SPECIFICATIONS

| | |
|----------------------|--|
| EXTERIOR POST | 12 GA WITH 5" FORMED POST ON 36-48" CENTER |
| INTERIOR POST | 3" STRUCTURAL CHANNEL |
| DOORS | LOCKABLE SECURITY STYLE WITH 3" X3" SUPPORTS |
| CROSSMEMBERS | 3" STRUCTURAL CHANNEL ON 16" CENTER |
| PEAK ROOF | 6" HIGH 12 GA SHEET |
| TOP RAIL | 3" X 3" X 1/8" TUBING |
| FLOOR | 10 GA SHEET |
| BULKHEAD | 12 GA SHEET |
| OPTIONS | INTERNAL SIDE POSTS / WELDED D-RINGS |

Specifications are subject to change without notice. For warranty information on this or any other Switch-N-Go® product please refer switchngo.com/warranty.





Interchangeable Truck Body System

VAN BODY



FEATURES

- Lightweight Design for Additional Payload
- Superior Corrosion Resistance
- Single Rear Roll-Up Door
- Fully Enclosed Unit for Cargo Protection
- Smooth Sides for Additional Advertising
- Available in 12', 13' & 15' lengths to be compatible with 11', 12' & 14' Switch-N-Go hoist systems.*

*Not compatible with S-Model

TO FIND A DEALER IN YOUR AREA



Lockable Rear Roll-Up Door



Interior E-Track



Bolt-on Aluminum Pullout Ladder

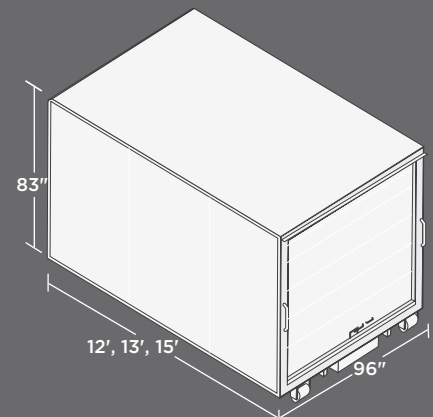


Grab Handles

SPECIFICATIONS

| | 12' | 13' | 15' |
|-----------------------------|-----------------------------------|-----|-----|
| FLOOR | TONGUE & GROOVE EXTRUDED ALUMINUM | | |
| REAR ROLL-UP DOOR | 86"W X 77"H | | |
| INTERIOR SIDES | 1/2" PLYWOOD WITH E-TRACK | | |
| SIDE HEIGHT | 83" | | |
| CROSSMEMBERS | 12" ON CENTER | | |
| SYSTEM COMPATIBILITY | 11' | 12' | 14' |

Specifications are subject to change without notice. For warranty information on this or any other Switch-N-Go® product please refer switchngo.com/warranty.



FREIGHT NOT
INCLUDED IN
PRICE OF UNIT.
FREIGHT WILL
BE BILLED UPON
PURCHASE.