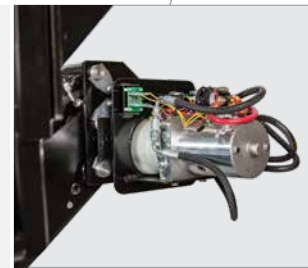


TKT MODELS

TKT models address all the concerns a liftgate operator faces. With self-leveling and power down functions, the lift is simple to use and reliable. The large platforms easily accommodate pallet-sized loads. And, the wide-arm, dual-cylinder design assures sturdy and consistent lifting action.

TKT Models are outfitted with numerous design features including hydraulic power-down and self-leveling actions for optimal control, a molded-plastic power unit cover that protects vital parts from outside elements, and a low-profile control with 5-minute inactivity shut-off to guard against unauthorized usage.

TKT-80-30 EA60



TKT-80-30 EA60



BED EXTENSIONS

All Tuckunder Series liftgates are sold with a body-width bed extension. Both “standard” strength, 3/16-inch, steel construction bed extensions and “heavy duty” strength, 3/8-inch, versions are available.

All Tuckunder Series bed extensions come with standard 24-inch, rubber dock bumpers and bolt-on adjustable steps.

AVAILABLE MODELS (DUAL-CYLINDER, POWER-DOWN, SELF-LEVELING)

TWO-YEAR STANDARD WARRANTY

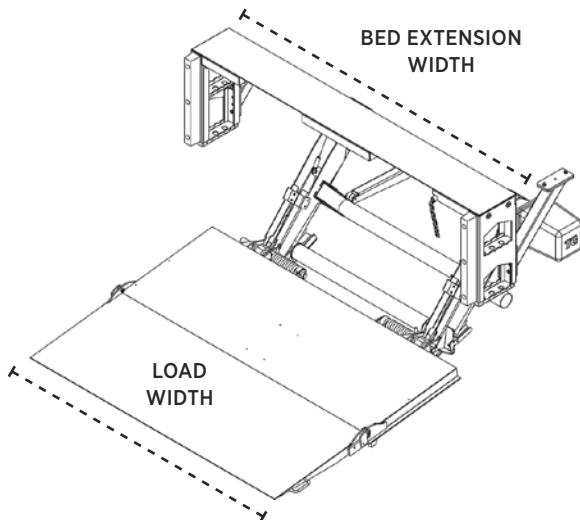
	Model Number	Load Area	Bed Heights ¹	Gate Weight ²
2500 lb. Capacity	Treadplate Platforms			
	TKT-80-25 TP50	80 x 50	40-54	887
	TKT-80-25 TP60	80 x 60	45-54	980
	Aluminum Platforms			
	TKT-80-25 EA50	80 x 50	40-54	816
	TKT-80-25 EA60	80 x 60	45-54	866
3000 lb. Capacity	Treadplate Platforms			
	TKT-80-30 TP50	80 x 50	40-54	887
	TKT-80-30 TP60	80 x 60	45-54	980
	Aluminum Platforms			
	TKT-80-30 EA50	80 x 50	40-54	816
	TKT-80-30 EA60	80 x 60	45-54	866

AVAILABLE BED EXTENSION OPTIONS

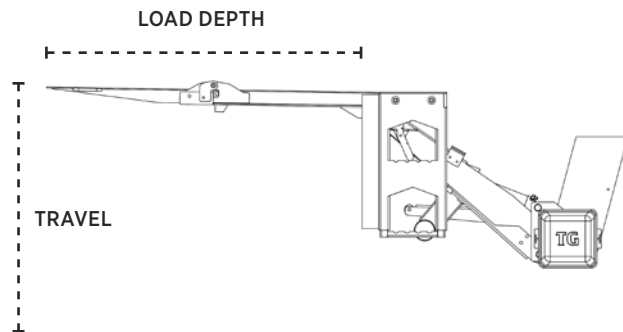
Body Size	Extension Type	Extension Weight	Description
96"	Standard	276	"standard" strength 3/16-inch thick steel construction
96"	Heavy Duty	334	"heavy duty" strength 3/8-inch thick steel construction
102"	Standard	283	"standard" strength 3/16-inch thick steel construction
102"	Heavy Duty	341	"heavy duty" strength 3/8-inch thick steel construction

TKT MODEL DIMENSIONS ³

ABOVE VIEW



SIDE VIEW



1. Minimum bed heights (laden), Maximum bed heights (unladen).
2. Must add bed extension weight for total gate weight.
3. For detailed dimensions, visit www.tommygate.com

FREIGHT NOT
INCLUDED IN
PRICE OF UNIT.
FREIGHT WILL
BE BILLED UPON
PURCHASE.