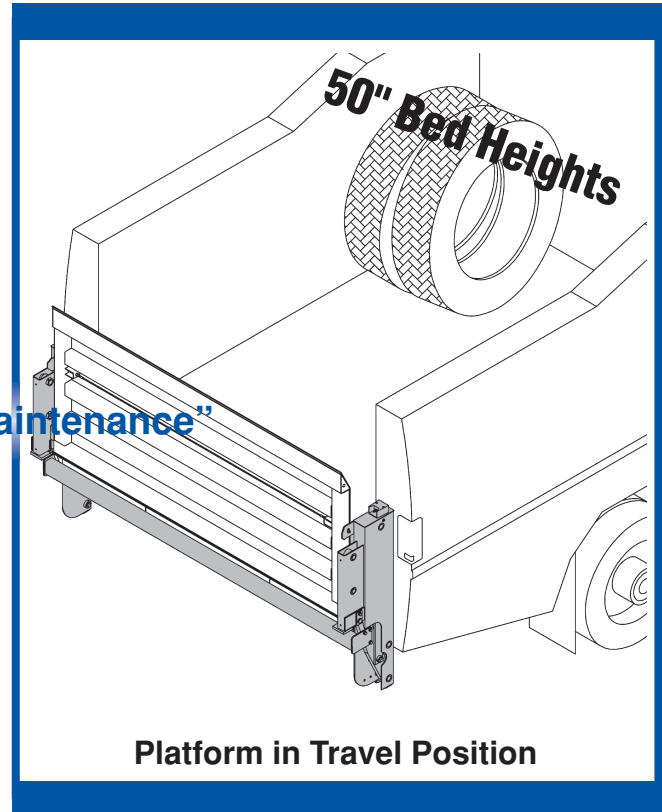
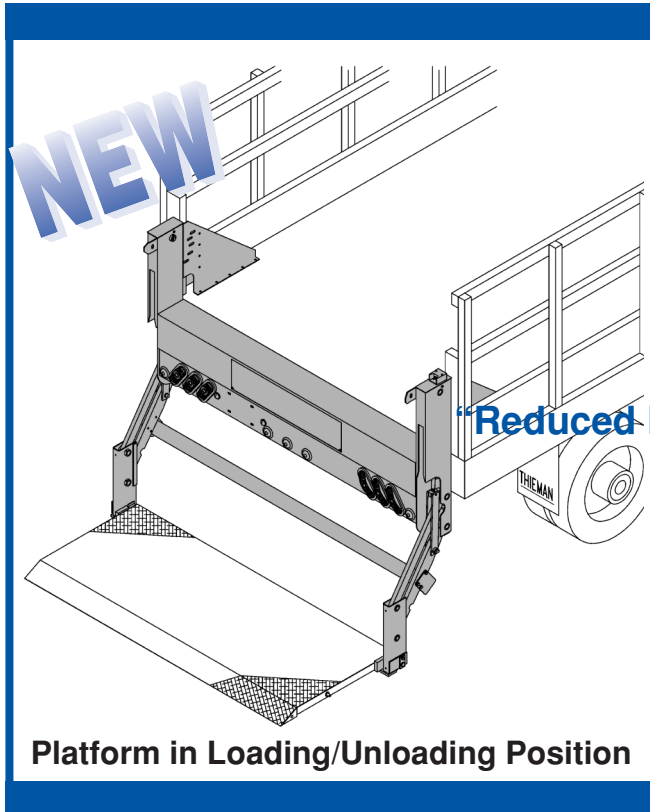


# TopLifter

## Tailgates By THIEMAN

*Raising Performance to New Levels*

### Model TT-16/20 RM



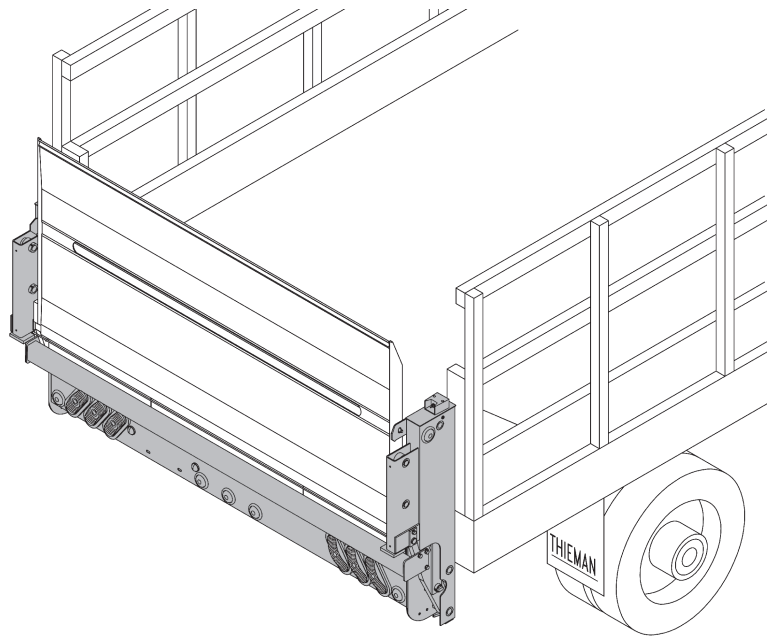
#### FEATURING:

- 50" Bed to Ground Travel
- Reduced Maintenance
- New Streamline Design
- Meets TMC Electrical Guidelines
- Direct Dual Cylinder Lift, No Chains or Cables
- 1,600 lb. & 2,000 lb. Capacity
- Heavy-Duty Steel Diamond Plate Platform
- Fully Enclosed Power Unit & Cylinders
- Fast & Easy Installation

The THIEMAN TT-16/20 is completely assembled into one compact unit - ready to run. Simply bolt and/or weld it to the truck bed and connect the battery cable. Installation is fast and easy. Plus, years from now the TT-16/20 will be just as simple to remount onto a new truck. The lifting mechanism is completely enclosed for a neat appearance and protection from the elements. The large platform makes awkward material a breeze to load and unload. The TT-16/20 overall design makes it the toughest liftgate available in its class.



# Features, Benefits and Specifications



**NEW**

## TT-16 Shown with Optional Aluminum Extrusion Platform and Light Kit

### STANDARD FEATURES AND BENEFITS:

- Dual Cylinder Design for Maximum Lifting Stability.
- Meets all TMC Electrical Guidelines for Reduced Service Requirements.
- Enclosed Cylinders and Power Units for Better Reliability and Easy Accessibility.
- Toggle Switch Control for Better Dependability.
- Torsion Assist for Easier Platform Opening and Closing.
- Skid Resistant Steel Diamond Plate Platform for Added Safety.
- Adjustable Cylinder Clevis for Easy Platform and Bed Alignment.
- 150 Amp Circuit Breaker for Electrical Protection

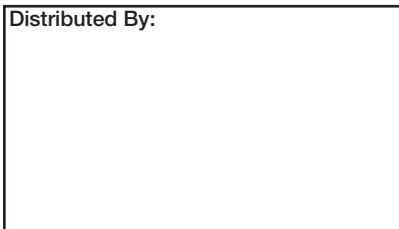
### AVAILABLE OPTIONS FOR TT-16:

- Platform Options Including: 2-Piece Folding, 38"/44" Deep Aluminum, 36"/42" Deep Steel
- Remote Pendant Control
- In-Cab Shut Off Switch
- Light Kit
- Power Lowering
- Heavy Duty Design - 2000 lbs. capacity

Platform	Size	Overall Width	Load Capacity	Weight	Bed Height
Aluminum Extrusion	80" x 32" + 5"	86"	1600 lbs.	540 lbs.	30" - 50"
Expanded Metal	80" x 30" + 5"	86"	1600 lbs.	620 lbs.	30" - 50"
Deck Plate	80" x 30" + 5"	86"	1600 lbs.	700 lbs.	30" - 50"
Aluminum Extrusion	86" x 32" + 5"	92"	1600 lbs.	560 lbs.	30" - 50"
Expanded Metal	86" x 30" + 5"	92"	1600 lbs.	640 lbs.	30" - 50"
Deck Plate	86" x 30" + 5"	92"	1600 lbs.	720 lbs.	30" - 50"
Aluminum Extrusion	80" x 32" + 5"	86"	2000 lbs.	560 lbs.	30" - 50"
Expanded Metal	80" x 30" + 5"	86"	2000 lbs.	640 lbs.	30" - 50"
Deck Plate	80" x 30" + 5"	86"	2000 lbs.	720 lbs.	30" - 50"
Aluminum Extrusion	86" x 32" + 5"	92"	2000 lbs.	580 lbs.	30" - 50"
Expanded Metal	86" x 30" + 5"	92"	2000 lbs.	660 lbs.	30" - 50"
Deck Plate	86" x 30" + 5"	92"	2000 lbs.	740 lbs.	30" - 50"

**Application: Van Bodies, Flat Beds, Tire Service Bodies and Wide Service Bodies**

Distributed By:



*Raising Performance to New Levels*

600 East Wayne Street  
 Celina, Ohio 45822  
 Phone: (419) 586-7727 or  
 800-524-5210  
 Fax: (419) 586-9724  
[www.thiemantailgates.com](http://www.thiemantailgates.com)  
[info@thiemantailgates.com](mailto:info@thiemantailgates.com)

**FREIGHT NOT**  
**INCLUDED IN**  
**PRICE OF UNIT.**  
**FREIGHT WILL**  
**BE BILLED UPON**  
**PURCHASE.**