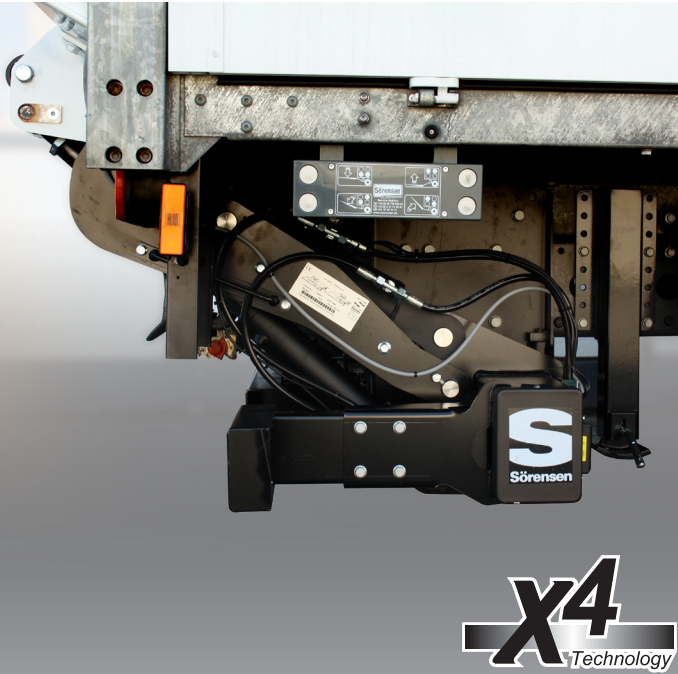


CONVENTIONAL SERIES MAXON®

GPC 33 X4 & 44 X4 Cantilevers

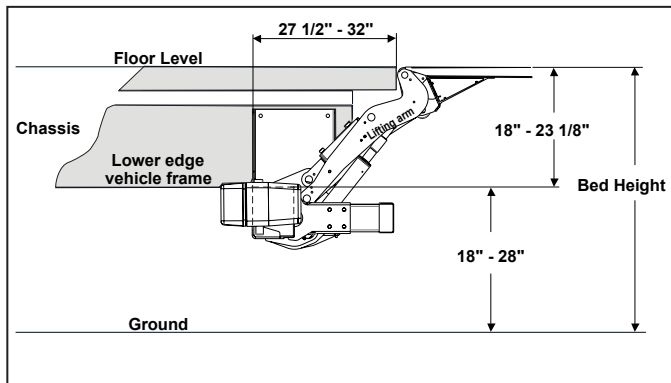


X4
Technology

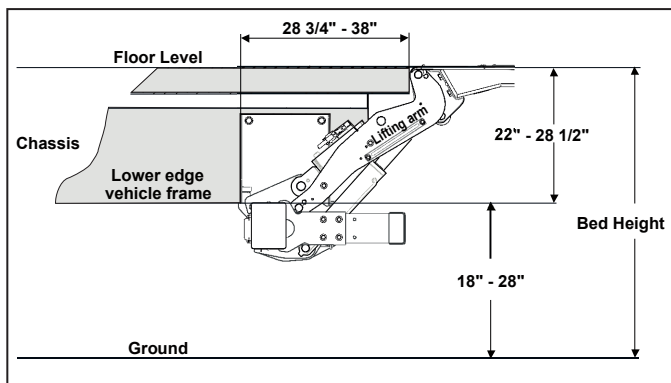
GPC 33 X4 & 44 X4 Specifications

The GPC X4 cantilever series maximizes power and stability for heavy load applications

- The patent-pending X4 technology features 2 lifting and 2 tilting cylinders that are stacked above each other. This design optimizes platform stability and leaves more space for light placement
- Aluminum platform is robust and lightweight
- Dual platform cart-stops
- When stowed, the underside of the flat platform surface is ideal for decals
- 0.2" thin, water proof main control panel and hand-held remote control comes standard
- Equipped with service switch, which enables the service mechanic to operate and test all lift functions
- Equipped with grease-free bearings



GPC X4 33 Mounting Dimension



GPC X4 44 Mounting Dimension

Please refer to installation manual for specific mounting requirements

MODEL CAPACITY	PLATFORM SIZE	STYLE	TOTAL WEIGHT	BED HEIGHT
GPC 33 X4 (3,300 Lbs.)	60" x 92"	Wedge	923 Lbs.	40" Min. Laden
	60" x 98"		938 Lbs.	
	72" x 92"		945 Lbs.	
	72" x 98"		960 Lbs.	51" Max. Unladen
	84" x 92"		967 Lbs.	
84" x 98"	982 Lbs.			
GPC 44 X4 (4,400 Lbs.)	72" x 92"		1,208 Lbs.	43" Min. Laden
	72" x 98"		1,228 Lbs.	
	84" x 92"		1,230 Lbs.	56.5" Max. Unladen
	84" x 98"		1,250 Lbs.	

CONVENTIONAL SERIES **MAXON**[®]

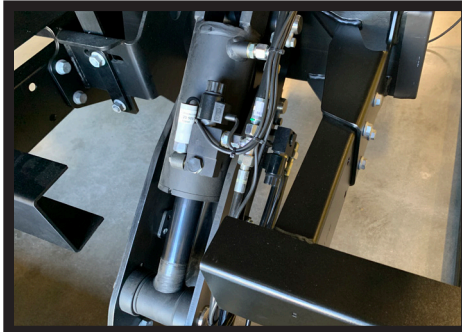
GPC 33 X4 & 44 X4 Cantilevers

Standard Features

- Aluminum platform
- Platform automatic leveling with soft landing
- Platform warning lights
- Dual cart stops
- Platform ground rollers
- Stainless cylinder rods with nitrate treatment
- Completely sealed flat panel main control
- Hand held control
- Cab cut-off switch

Optional Features

- Full Door Seal Kit
- Flip-Up Door with Seal Kit
- Foot controls
- Side Roll Off Guards
- Install Fixture
- 24 Volt Pump/Motor System



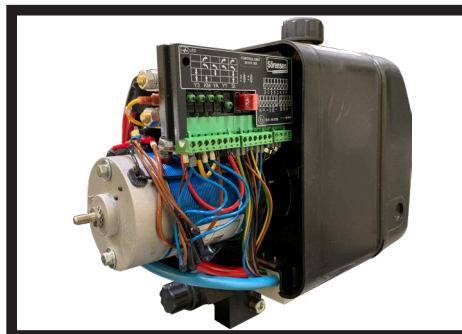
X4 Technology

X4 design technology features 2 lifting and 2 tilting cylinders that are stacked above each other. This design optimizes platform stability and leaves more space for light placement



New Generation Control

The GPC main control is completely sealed and is only 3/16" thick. This design allows placement in many different locations



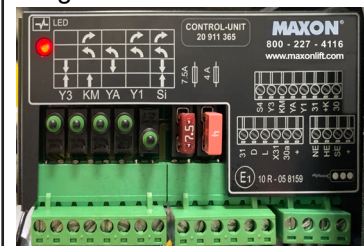
Control Unit with Built-In Diagnostics

LED lights allow for quick assessment and root cause tracing

Lift Switch On	Platform Position	Diagnose LED
No	Closed 90°	Off
Yes	Closed 90°	On
Yes	Open > 90°	Off
Yes	Horizontal 0°	Off
Yes	Tilted Down 0°-Minus 10°	On
Yes	Switch On Control Panel	Blink
Yes	Switch On Foot Control	Blink
Yes	Switch On Hand Control	Blink



Diagnose LED



Distributed by:

M-264-0121

CONVENTIONAL SERIES MAXON®

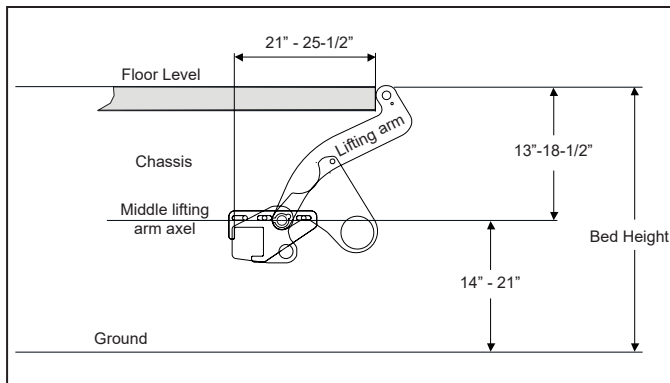
GPC 17 X1 & 22 X1 Cantilevers



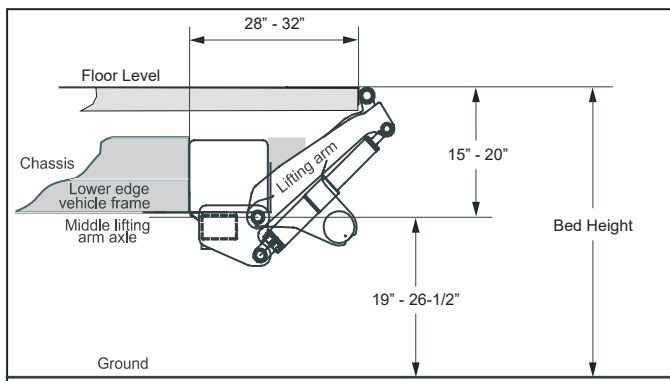
GPC 17 X1 & 22 X1 Specifications

The GPC X1 cantilever series combines the lowest weight in its class with exceptional durability and low maintenance requirements

- X1 technology simplifies the entire lifting mechanism by eliminating two cylinders. The simple structure means that there is less to maintain over the life of the liftgate
- Standard aluminum platform is robust and lightweight
- Standard dual cart stops and cab power cut off switch
- When stowed, the underside of the flat platform surface is ideal for decals
- Waterproof hand-held remote control
- Equipped with Service Switch, which enables the service mechanic to operate and test all lift functions
- Equipped with grease-free bearings



GPC 17 X1 Mounting Dimension



GPC 22 X1 Mounting Dimension

Please refer to installation manual for specific mounting requirements

MODEL CAPACITY	PLATFORM SIZE	STYLE	TOTAL WEIGHT	BED HEIGHT
GPC 17 X1 (1,700 Lbs.)	60" x 79"	Wedge	389 Lbs.	27.5" Min. Laden
	60" x 89"		399 Lbs.	39.5" Max. Unladen
GPC 22 X1 (2,200 Lbs.)	48" x 92"		558 Lbs.	40" Min. Laden
	48" x 98"		568 Lbs.	
	60" x 92"		580 Lbs.	51" Max. Unladen
	60" x 98"		590 Lbs.	
	72" x 92"		602 Lbs.	
	72" x 98"		612 Lbs.	

CONVENTIONAL SERIES MAXON®

GPC 17 X1 & 22 X1 Cantilevers

Standard Features

- Platform automatic leveling with soft landing
- Aluminum platform
- Platform warning lights
- Dual cart stops
- Platform ground rollers
- Stainless cylinder rods with nitrate treatment
- Completely sealed flat panel main control
- Hand held control
- Cab cut-off switch

Optional Features

- Full Door Seal Kit
- Flip-Up Door with Seal Kit
- Foot controls
- Side Roll Off Guards
- Install Fixture
- 24 Volt Pump/Motor System



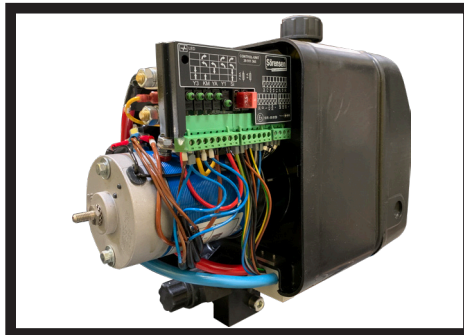
X1 Technology

X1 design technology allows a liftgate to raise and lower full lift capacity utilizing only one cylinder for up and down, and one for tilting. This is accomplished by the underrun bar which connects the lift and tilt arm mechanisms. This eliminates 20% of the total weight of a comparable four cylinder liftgate.



New Generation Control

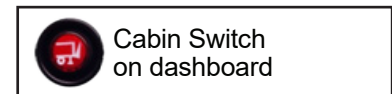
The GPC main control is completely sealed and is only 3/16" thick. This design allows placement in many different locations



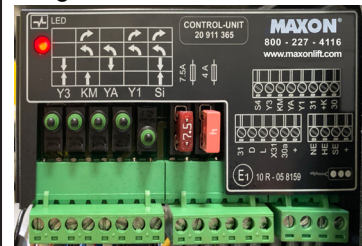
Control Unit with Built-In Diagnostics

LED lights allow for quick assessment and root cause tracing

Lift Switch On	Platform Position	Diagnose LED
No	Closed 90°	Off
Yes	Closed 90°	On
Yes	Open > 90°	Off
Yes	Horizontal 0°	Off
Yes	Tilted Down 0°-Minus 10°	On
Yes	Switch On Control Panel	Blink
Yes	Switch On Foot Control	Blink
Yes	Switch On Hand Control	Blink



Diagnose LED



Inside power pack on control unit

Distributed by:

M-263-0121

FREIGHT NOT
INCLUDED IN
PRICE OF UNIT.
FREIGHT WILL
BE BILLED UPON
PURCHASE.