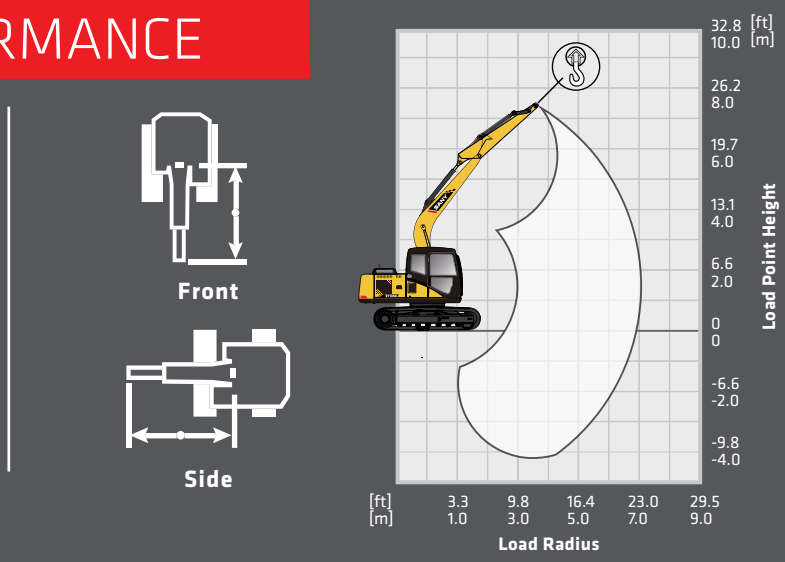


SY135C LIFTING PERFORMANCE

Standard 15' 1" (4600 mm) Boom
 Standard 8' 2" (2500 mm) Arm
 Standard 24" (600 mm) Track Shoes
 No Bucket

Ratings are based on ISO 10567:2007. Lift capacity does not exceed 75% of tipping load with the machine on firm, level ground or 87% of hydraulic lifting capacity.



BLADE DOWN														
LOAD RADIUS	6.6 ft 2.0 m		9.8 ft 3.0 m		13.4 ft 4.0 m		16.4 ft 5.0 m		19.7 ft 6.0 m		23.0 ft 7.0 m		MAX REACH	
LOAD POINT HEIGHT														
23 ft 7.0 m					7,055 lb* 3 200 kg*	7,055 lb* 3 200 kg*							5,620 lb* 2 550 kg*	5,620 lb* 2 550 kg*
19.7 ft 6.0 m							6,945 lb* 3 150 kg*	6,945 lb* 3 150 kg*					4,960 lb* 2 250 kg*	4,960 lb* 2 250 kg*
16.4 ft 5.0 m							7,715 lb* 3 500 kg*	7,715 lb* 3 500 kg*	5,290 lb* 2 400 kg*	5,290 lb* 2 400 kg*			4,630 lb* 2 100 kg*	4,630 lb* 2 100 kg*
13.1 ft 4.0 m					8,710 lb* 3 950 kg*	8,710 lb* 3 950 kg*	8,150 lb* 3 700 kg*	7,715 lb* 3 500 kg*	7,825 lb* 3 550 kg*	5,840 lb* 2 650 kg			4,520 lb* 2 050 kg*	4,520 lb* 2 050 kg*
9.8 ft 3.0 m			12,785 lb* 5 800 kg*	12,785 lb* 5 800 kg*	10,250 lb* 4 650 kg*	10,250 lb* 4 650 kg*	8,930 lb* 4 050 kg*	7,495 lb* 3 400 kg	8,160 lb* 3 700 kg*	5,730 lb* 2 600 kg			4,520 lb* 2 050 kg*	4,520 lb* 2 050 kg*
6.6 ft 2.0 m			16,535 lb* 7 500 kg*	14,990 lb* 6 800 kg	12,015 lb* 5 450 kg*	9,920 lb* 4 500 kg*	9,920 lb* 4 500 kg*	7,275 lb* 3 300 kg	8,710 lb* 3 950 kg*	5,620 lb* 2 550 kg	5,070 lb* 2 300 kg*	4,520 lb* 2 050 kg	4,630 lb* 2 100 kg*	4,520 lb* 2 050 kg
3.3 ft 1.0 m			14,990 lb* 6 800 kg*	14,220 lb* 6 450 kg	13,560 lb* 6 150 kg*	9,480 lb* 4 300 kg	10,800 lb* 4 900 kg*	7,055 lb* 3 200 kg	9,150 lb* 4 150 kg*	5,510 lb* 2 500 kg	5,400 lb* 2 450 kg*	4,410 lb* 2 000 kg	4,850 lb* 2 200 kg*	4,410 lb* 2 000 kg
0 ft 0 m			14,880 lb* 6 750 kg*	13,890 lb* 6 300 kg	14,330 lb* 6 500 kg*	9,260 lb* 4 200 kg	10,800 lb* 4 900 kg	6,835 lb* 3 100 kg	9,480 lb* 4 300 kg*	5,400 lb* 2 450 kg			5,180 lb* 2 350 kg*	4,520 lb* 2 050 kg
-3.3 ft -1.0 m	10,030 lb* 4 550 kg*	10,030 lb* 4 550 kg*	18,630 lb* 8 450 kg*	13,780 lb* 6 250 kg	14,440 lb* 6 550 kg*	9,040 lb* 4 100 kg	11,465 lb* 5 200 kg*	6,725 lb* 3 050 kg	9,370 lb* 4 250 kg*	5,290 lb* 2 400 kg			5,730 lb* 2 600 kg*	4,740 lb* 2 150 kg
-6.6 ft -2.0 m	15,210 lb* 6 900 kg*	15,210 lb* 6 900 kg*	17,965 lb* 8 150 kg*	13,890 lb* 6 300 kg	13,890 lb* 6 300 kg*	9,040 lb* 4 100 kg	11,025 lb* 5 000 kg*	6,725 lb* 3 050 kg	8,710 lb* 3 950 kg*	5,290 lb* 2 400 kg			6,725 lb* 3 050 kg*	5,180 lb* 2 350 kg
-9.8 ft -3.0 m	21,165 lb* 9 600 kg*	21,165 lb* 9 600 kg*	15,870 lb* 7 200 kg*	14,000 lb* 6 350 kg	12,345 lb* 5 600 kg*	9,150 lb* 4 150 kg	9,590 lb* 4 350 kg*	6,835 lb* 3 100 kg					8,270 lb* 3 750 kg*	6,170 lb* 2 800 kg
-13.1 ft -4.0 m			12,125 lb* 5 500 kg*	12,125 lb* 5 500 kg*	9,150 lb* 4 150 kg*	9,150 lb* 4 150 kg*							7,825 lb* 3 550 kg*	7,825 lb* 3 550 kg*

BLADE UP														
LOAD RADIUS	6.6 ft 2.0 m		9.8 ft 3.0 m		13.4 ft 4.0 m		16.4 ft 5.0 m		19.7 ft 6.0 m		23.0 ft 7.0 m		MAX REACH	
LOAD POINT HEIGHT														
23 ft 7.0 m					7,055 lb* 3 200 kg*	7,055 lb* 3 200 kg*							5,620 lb* 2 550 kg*	5,620 lb* 2 550 kg*
19.7 ft 6.0 m							6,945 lb* 3 150 kg*	6,945 lb* 3 150 kg*					4,960 lb* 2 250 kg*	4,960 lb* 2 250 kg*
16.4 ft 5.0 m							7,715 lb* 3 500 kg*	7,715 lb* 3 500 kg*	5,290 lb* 2 400 kg*	5,290 lb* 2 400 kg*			4,630 lb* 2 100 kg*	4,630 lb* 2 100 kg*
13.1 ft 4.0 m					8,710 lb* 3 950 kg*	8,710 lb* 3 950 kg*	8,150 lb* 3 700 kg*	7,715 lb* 3 500 kg*	7,825 lb* 3 550 kg*	5,840 lb* 2 650 kg			4,520 lb* 2 050 kg*	4,520 lb* 2 050 kg*
9.8 ft 3.0 m			12,785 lb* 5 800 kg*	12,785 lb* 5 800 kg*	10,250 lb* 4 650 kg*	10,250 lb* 4 650 kg*	8,930 lb* 4 050 kg*	7,495 lb* 3 400 kg	8,160 lb* 3 700 kg*	5,730 lb* 2 600 kg			4,520 lb* 2 050 kg*	4,520 lb* 2 050 kg*
6.6 ft 2.0 m			16,535 lb* 7 500 kg*	14,990 lb* 6 800 kg	12,015 lb* 5 450 kg*	9,920 lb* 4 500 kg*	9,920 lb* 4 500 kg*	7,275 lb* 3 300 kg	8,710 lb* 3 950 kg*	5,620 lb* 2 550 kg	5,070 lb* 2 300 kg*	4,520 lb* 2 050 kg	4,630 lb* 2 100 kg*	4,520 lb* 2 050 kg
3.3 ft 1.0 m			14,990 lb* 6 800 kg*	14,220 lb* 6 450 kg	13,560 lb* 6 150 kg*	9,480 lb* 4 300 kg	10,800 lb* 4 900 kg*	7,055 lb* 3 200 kg	9,380 lb* 4 250 kg*	5,510 lb* 2 500 kg	5,400 lb* 2 450 kg*	4,410 lb* 2 000 kg	4,850 lb* 2 200 kg*	4,410 lb* 2 000 kg
0 ft 0 m			14,880 lb* 6 750 kg*	13,890 lb* 6 300 kg	14,330 lb* 6 500 kg*	9,260 lb* 4 200 kg	10,800 lb* 4 900 kg	6,835 lb* 3 100 kg	9,480 lb* 4 300 kg*	5,400 lb* 2 450 kg			5,180 lb* 2 350 kg*	4,520 lb* 2 050 kg
-3.3 ft -1.0 m	10,030 lb* 4 550 kg*	10,030 lb* 4 550 kg*	18,630 lb* 8 450 kg*	13,780 lb* 6 250 kg	14,440 lb* 6 550 kg*	9,040 lb* 4 100 kg	10,690 lb* 4 850 kg	6,725 lb* 3 050 kg	9,270 lb* 4 200 kg	5,290 lb* 2 400 kg			5,730 lb* 2 600 kg*	4,740 lb* 2 150 kg
-6.6 ft -2.0 m	15,210 lb* 6 900 kg*	15,210 lb* 6 900 kg*	17,965 lb* 8 150 kg*	13,890 lb* 6 300 kg	13,890 lb* 6 300 kg*	9,040 lb* 4 100 kg	10,690 lb* 4 850 kg	6,725 lb* 3 050 kg	8,270 lb* 3 750 kg	5,290 lb* 2 400 kg			6,725 lb* 3 050 kg*	5,180 lb* 2 350 kg
-9.8 ft -3.0 m	21,165 lb* 9 600 kg*	21,165 lb* 9 600 kg*	15,870 lb* 7 200 kg*	14,000 lb* 6 350 kg	12,345 lb* 5 600 kg*	9,150 lb* 4 150 kg	9,590 lb* 4 350 kg*	6,835 lb* 3 100 kg					8,270 lb* 3 750 kg*	6,170 lb* 2 800 kg
-13.1 ft -4.0 m			12,125 lb* 5 500 kg*	12,125 lb* 5 500 kg*	9,150 lb* 4 150 kg*	9,150 lb* 4 150 kg*							7,825 lb* 3 550 kg*	7,825 lb* 3 550 kg*

* Indicates load limited by hydraulic lifting capacity. In the interest of continual equipment development, SANY America Inc. reserves the right to change these specifications at any time without prior notification.

SY135C

PRODUCT SPECIFICATIONS



STANDARD FEATURES

- ➔ Conventional Tail Swing with Fixed Boom
- ➔ Reinforced Undercarriage
- ➔ Positive Flow Control Hydraulic System Provides Increased Efficiency
- ➔ Powerful Isuzu Engine

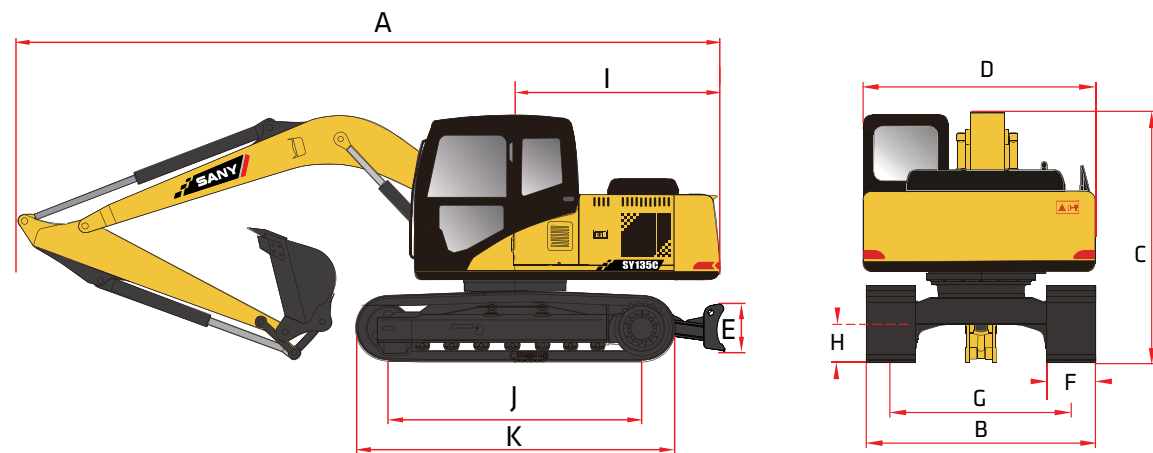
Gross Power
103.3 hp

Dig Depth
18' 1"

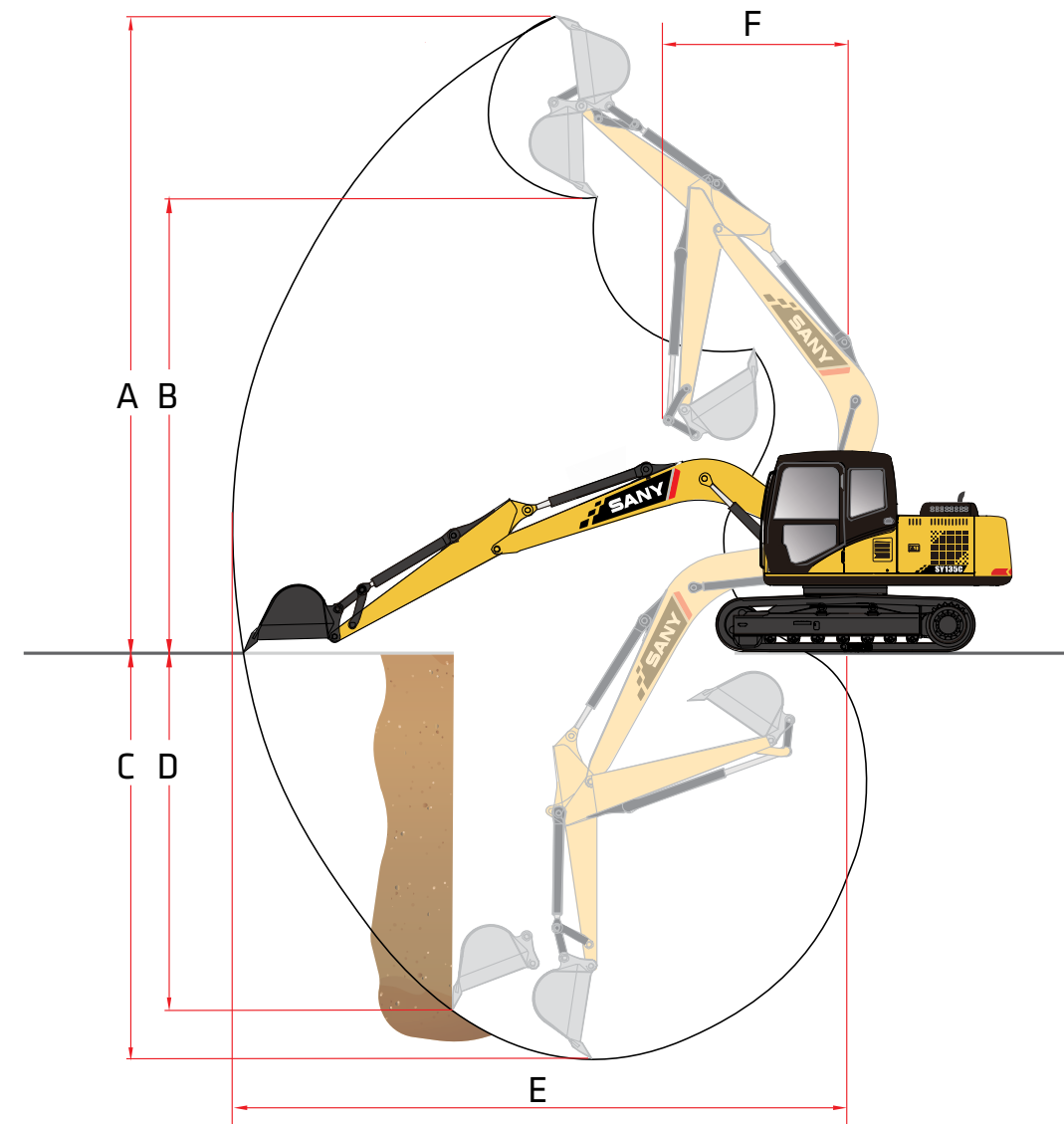
Operating Weight
32,783 lb

Bucket Breakout
20,682 lbf

DIMENSIONS



WORKING RANGE



High performance excavation and a robust structure

TECHNICAL SPECIFICATIONS

Operating Weight	32,783 lb	14,870 kg
Ground Pressure	5.7 psi	39.0 kPa
Engine	ISUZU AJ-4JJ1X-FT4	
Displacement	183.0 in ³	3.0 L
Gross Power	103.3 HP	77.0 kW
Hydraulics	Positive Flow Control with Pilot Control	
Main Hydraulic Pump	Axial Piston – Variable Displacement	
Operating Flow (maximum)	63.9 gal/min	242.0 L/min
Operating Pressure (maximum)	4,975 psi	34.3 MPa
Travel Motor	Axial Piston with Park Brake	
Travel Pressure (maximum)	4,975 psi	34.3 MPa
Travel Speeds (maximum)	2.2 / 3.4 mph	3.5 / 5.5 km/hr
Travel Effort (maximum)	24,729 lbf	110.0 kN
Grade Capability (maximum)	35°	
Swing Motor	Axial Piston with Swing Brake	
Swing Pressure (maximum)	3,626 psi	25.0 MPa
Swing Speed (maximum)	12 RPM	
Undercarriage (standard)	Steel Track	
Track Shoe width (standard)	24"	600 mm
Track Rollers (per side)	7	
Carrier Rollers (per side)	1	

DIMENSIONS

Boom Length	15' 1"	4,600 mm
Stick (Arm) Length	8' 2"	2,500 mm
A Transport Length	25' 3"	7,700 mm
B Transport Width	8' 6"	2,600 mm
C Transport Height	9' 3"	2,815 mm
D Upper Structure Width	8' 2"	2,490 mm
E Blade Height	18"	458 mm
F Track Width (standard shoe)	24"	600 mm
G Track Gauge	6' 6"	1,990 mm
H Ground Clearance (minimum)	17"	425 mm
I Tail Swing Radius	7' 3"	2,205 mm
J Track Length on Ground	9' 7"	2,930 mm
K Track Length	12' 0"	3,665 mm

SERVICE REFILL CAPACITIES

Fuel Tank Capacity	63.2 gal	240.0 L
DEF Tank Capacity	5.0 gal	19.0 L
Hydraulic Tank Capacity	39.5 gal	150.0 L
Engine Oil Capacity	3.5 gal	13.2 L
Cooling System Capacity	5.8 gal	22.0 L

WORKING RANGE

Boom Length	15' 1"	4,600 mm
Stick (Arm) Length	8' 2"	2,500 mm
A Maximum Digging Height	28' 4"	8,645 mm
B Maximum Dumping Height	20' 3"	6,175 mm
C Maximum Digging Depth	18' 1"	5,500 mm
D Maximum Vertical Wall Digging Depth	15' 11"	4,850 mm
E Maximum Reach at Ground Level	27' 2"	8,290 mm
F Minimum Swing Radius	8' 2"	2,500 mm

DIGGING PERFORMANCE

Boom Length	15' 1"	4,600 mm
Stick (Arm) Length	8' 2"	2,500 mm
Bucket Breakout Force (ISO)	20,682 lbf	92.0 kN
Stick (Arm) Digging Force (ISO)	14,837 lbf	66.0 kN