

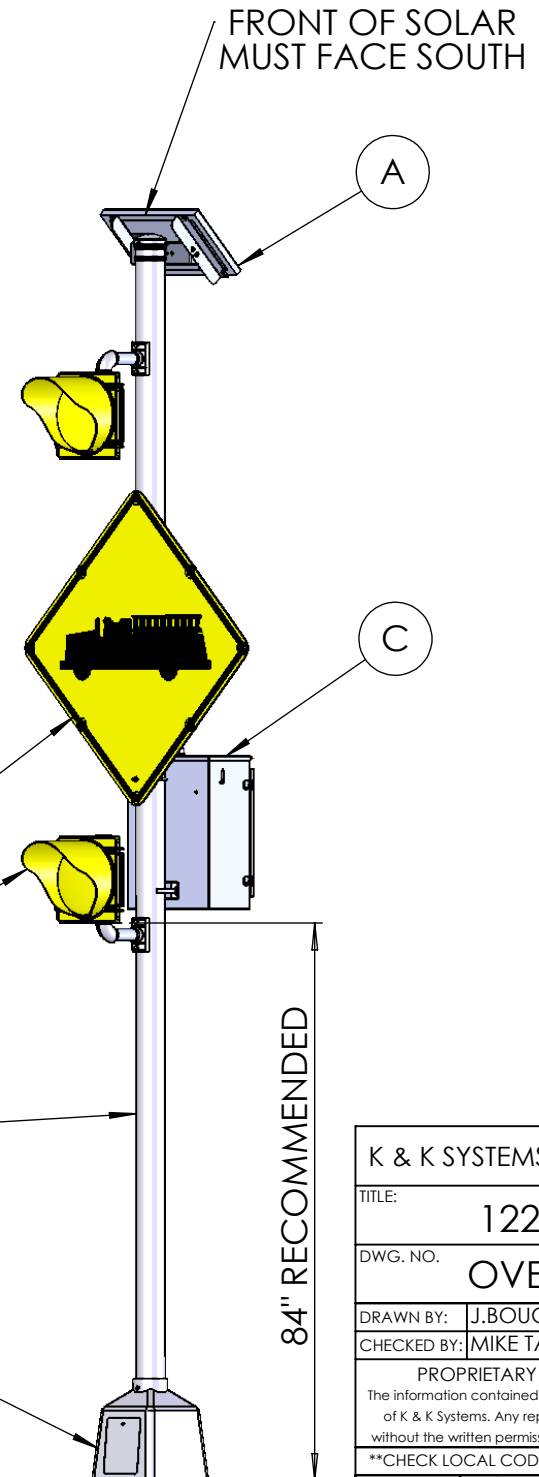
ITEM NO.	PART NUMBER	SHEET #
A	20 WATT SOLAR PANEL WITH MOUNTING BRACKET	SHEET #2
B	BOTTOM HEAD WITH YELLOW 4.4 WATT BEACON	SHEET #2
C	112 - S12 BATTERY BOX	SHEET #3

122-D12

Emergency Vehicle Warning. Double 12" LED yellow/amber, polycarbonate heads, 20 watt solar panel with mounting bracket, remote control (750 ft. line of sight), Crosstalk-CWR, aluminum lockable battery box, wiring, and keyfob. Partially assembled to mount to existing pole. (For inhouse station control add a KK-SRC). When mounting to spun aluminum pole requires CTR-D1 or CTR-D2. No battery included.

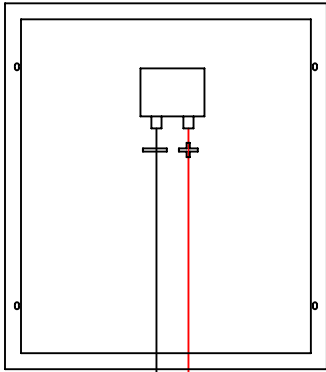
OPTIONAL
SIGN,
POLE,
BASE

OPTIONAL DRIVE BASE AVAILABLE

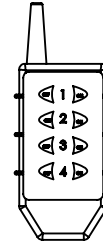


K & K SYSTEMS		Office: (888) 414-3003 www.k-k-systems.com	
TITLE: 122-D12			
DWG. NO. OVERVIEW			
DRAWN BY:	J. BOUCHILLON	DATE:	6-12-20
CHECKED BY:	MIKE TAYLOR	DATE:	6-12-20
PROPRIETARY AND CONFIDENTIAL The information contained in this drawing is the sole property of K & K Systems. Any reproduction in part or as a whole without the written permission of K & K Systems is prohibited. **CHECK LOCAL CODES FOR ALL MEASUREMENTS**			
Revision:	Scale:	Size:	Sheet: 1 of 5

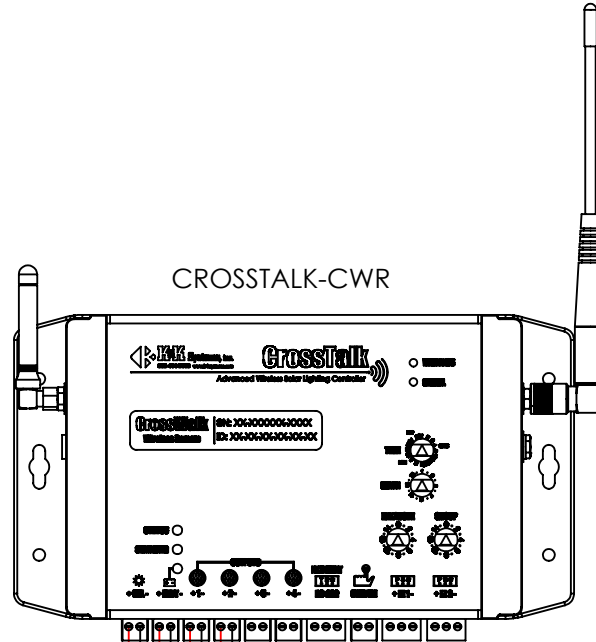
SOLAR PANEL



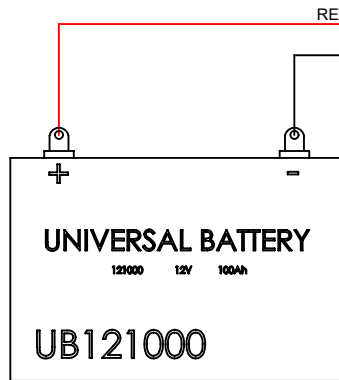
CWKF-433-4



CROSSTALK-CWR

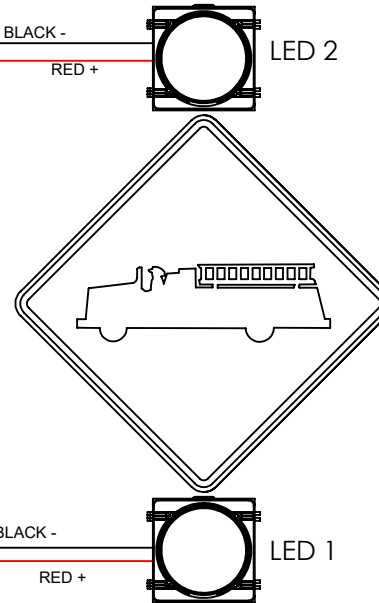


RED +
BLACK -



BAT-12-100A NOT INCLUDED*

SIGN



K & K SYSTEMS		Office: (888) 414-3003 www.k-k-systems.com	
TITLE: 122-D12			
DWG. NO. WIRING			
DRAWN BY:	TIMOTHY P.	DATE:	1-16-20
CHECKED BY:	FRANK A.	DATE:	1-16-20
PROPRIETARY AND CONFIDENTIAL The information contained in this drawing is the sole property of K & K Systems. Any reproduction in part or as a whole without the written permission of K & K Systems is prohibited. **CHECK LOCAL CODES FOR ALL MEASUREMENTS**			
Revision:	Scale: ---	Size: 8.5 X 11	Sheet: 5 of 5