



TECHNICAL SPECIFICATION

VNL42300 Daycab

| | | | | WEIGHT (LB) | |
|---------------|--------|-----------------|-------------------------------------|-------------|-------|
| MODEL PACKAGE | | DESCRIPTION | | FRONT | REAR |
| S | 012271 | MARKETING MODEL | VNL42300 | 0 | 0 |
| S | 007271 | MODEL | DAY CAB | 7,408 | 2,381 |
| S | 99X76X | ASSEMBLY PLANT | VOLVO TRUCKS - ASSEMBLED IN THE USA | 0 | 0 |

| | | | | WEIGHT (LB) | |
|--------------------|--------|------------------------------------|--|-------------|------|
| VEHICLE ADAPTATION | | DESCRIPTION | | FRONT | REAR |
| S | 114010 | MARKET ADAPTATION | USA / USA TERRITORY MARKET ADAPTATION | 0 | 0 |
| S | 36XF1X | LANGUAGE ON DECALS | ENGLISH/SPANISH LANGUAGE ON DECALS | 0 | 0 |
| S | 38XCNX | FIRST PUBLICATION LANGUAGE | ENGLISH | 0 | 0 |
| S | 263105 | VEHICLE APPLICATION | TRUCK / DRY VAN BODY | 0 | 0 |
| S | 2KEZ1X | TRAILER TYPE | WITHOUT TRAILER TYPE | 0 | 0 |
| S | 2MCA1X | VEHICLE GHG CERTIFICATION | GREEN HOUSE GAS COMPLETE VEHICLE CERTIFICATION | 0 | 0 |
| S | 3GCB1X | GHG APPLICATION, VEHICLE | GREEN HOUSE GAS VOCATIONAL APPLICATION | 0 | 0 |
| S | 898002 | VEHICLE WARRANTY QUALIFICATION | STANDARD NORMAL DUTY WARRANTY QUALIFIED | 0 | 0 |
| S | 259001 | VEHICLE VOCATION | LINEHAUL / LONG HAUL / REGIONAL HAUL SERVICE | 0 | 0 |
| S | P1CZ1X | LOAD HANDLING EQ. CRANE | WITHOUT LOAD HANDLING EQUIPMENT, CRANE | 0 | 0 |
| S | P3CZ1X | LOAD HANDLING AND MISC. EQUIPM | WITHOUT MISCELLANEOUS LOAD HANDLING EQUIPMENT | 0 | 0 |
| S | 260006 | OPERATING TERRAIN GRADE CONDITIONS | ON HIGHWAY, STARTING GRADES <16% | 0 | 0 |
| S | QCXA1X | TOPOGRAPHY | MOSTLY FLAT, MOST GRADES <3% (EX. OHIO) | 0 | 0 |
| S | E1BD1X | AMBIENT TEMPERATURE UPPER LIMIT | SUMMER AMBIENT TEMPERATURES DO NOT REGULARLY EXCEED 104 DEGREE F (40 DEGREE C) | 0 | 0 |
| S | 264001 | LOADING SURFACE FACTOR | CONCRETE LOADING AND / OR UNLOADING SURFACE | 0 | 0 |
| S | DHX10X | ROAD CONDITION | OPERATING CLASS ONE (ON HIGHWAY) | 0 | 0 |
| | 938001 | CUSTOMER FLEET SIZE | DEALER FLEET WITH LESS THAN 25 VEHICLES IN OWN FLEET OF ANY VEHICLE BRAND | 0 | 0 |

| | | | | WEIGHT (LB) | |
|---------------------------|--------|------------------|--|-------------|------|
| PASSIVE AND ACTIVE SAFETY | | | DESCRIPTION | FRONT | REAR |
| S | 2CXD1X | CAB VERSION | DAY CAB | 0 | 0 |
| | DUXZ1X | AIRBAG | NO AIR BAG PROVIDED | -2 | 0 |
| S | WPXA1X | TRACTION CONTROL | TRACTION CONTROL WITH LIMITED DISABLE | 0 | 0 |
| S | 2PEZ1X | DATA CAPTURE | WITHOUT DATA CAPTURE | 0 | 0 |
| S | 3MBA1X | PARK BRAKE ALARM | PARK BRAKE ALARM, SOUNDS IF BRAKE OFF AND DRIVER'S DOOR OPENED | 0 | 0 |

| | | | | WEIGHT (LB) | |
|--------|-------------|----------------|---|-------------|------|
| ENGINE | DESCRIPTION | | | FRONT | REAR |
| | 1017V3 | ENGINE PACKAGE | VOLVO D11 385HP 2100RPM 1450 LBFT - EPA'17 EMISSION LEVEL | -346 | 0 |

| | | | | WEIGHT (LB) | |
|------------------|--------|----------------------------|---|-------------|------|
| ENGINE EQUIPMENT | | | DESCRIPTION | FRONT | REAR |
| S | KWXA1X | AIR CLEANER TYPE | SINGLE STAGE AIR CLEANER | 0 | 0 |
| S | 209012 | RADIATOR COOLANT | EXTENDED LIFE ETHYLENE GLYCOL ANTI-FREEZE (RED), -34 F (-37 C) | 0 | 0 |
| | 208021 | FAN CLUTCH PACKAGE | KYSOR ON / OFF FAN CLUTCH | 9 | 0 |
| S | NCXA5X | STARTER MOTOR | DELCO REMY 12V 39MTHD STARTER | 0 | 0 |
| | PJXMLX | ALTERNATOR CAPACITY | 145 AMP DELCO REMY 24SI PAD MOUNT ALTERNATOR (12V) | 0 | 0 |
| S | 810111 | BATTERY PACKAGE | 2 VOLVO 1000 CCA MAINTENANCE FREE 12V BATTERIES, 2000 CCA | 0 | 0 |
| S | L4X15X | BATTERY BOX MOUNTING | BATTERY BOX, LEFT HAND SIDE, BEHIND FRONT FENDER | 0 | 0 |
| S | NQXA1X | BATTERY BOX CONFIGURATION | BATTERY BOX - 4 CAPACITY | 0 | 0 |
| S | L5XA1X | BATTERY BOX COVER | BASIC BATTERY BOX COVER | 0 | 0 |
| | NFXZ1X | MAIN SWITCH | NO BATTERY DISCONNECT SWITCH PROVIDED | -2 | 0 |
| S | 428001 | DIESEL EXHAUST FLUID TANK | 18.5 GALLON LEFT HAND 26", FRAME MOUNTED (FILLED WITH 10 GALLONS OF DEF, WEIGHING 91 LBS) | 159 | 86 |
| S | 230048 | EXHAUST SYSTEM | INTEGRATED DPF AND SCR MOUNTED RIGHT HAND SIDE UNDER CAB WITH SINGLE HORIZONTAL TAILPIPE | -33 | -15 |
| S | 232093 | EXHAUST OUTLET PACKAGE | HORIZONTAL ALUMINIZED STAINLESS STEEL TAIL PIPE | 0 | 0 |
| S | KNXC1X | EXHAUST HEAT SHIELD | ALUMINUM EXHAUST SHIELD | 0 | 0 |
| S | JVXH1X | PRIMARY FUEL FILTER | VOLVO DUAL ENGINE MOUNTED FUEL FILTERS WITH WATER SEPARATOR | 0 | 0 |
| S | J7XBDX | AUX. FUEL SYSTEM EQUIPMENT | RETURN FUEL RECIRCULATION VALVE | 0 | 0 |
| S | VWXCAX | COMPRESSOR CAPACITY | WABCO 31.8 CFM COMPRESSOR | 0 | 0 |
| S | J2EAAX | ENGINE BRAKE ACTIVATION | ENGINE BRAKE ACTIVATION, BASIC | 0 | 0 |
| | QHXC1X | OIL SUMP | STAMPED STEEL OIL PAN (STANDARD OIL CHANGE INTERVALS) | 0 | 0 |

| | | | | WEIGHT (LB) | |
|--------------|--------|------------------------------|--|-------------|------|
| TRANSMISSION | | | DESCRIPTION | FRONT | REAR |
| | 270743 | TRANSMISSION PACKAGE | EATON 13 SPEED FULLER RTLO-16913A | 102 | 34 |
| | RVXA1X | GEAR SHIFT CONTROL | FIXED GEAR SHIFT LEVER | 0 | 0 |
| | T2XC3X | TRANSMISSION/RETARDER COOLER | WATER TO OIL TRANS COOLER IN RADIATOR | 0 | 0 |
| S | 195103 | DRIVELINE - MAIN | MERITOR RPL25HD W/PERMALUBE U-JOINTS (PROPS-L) | 0 | 0 |
| S | THXE1X | PROPELLER SHAFT MANUFACTURER | MERITOR RPL SERIES DRIVELINE | 126 | 126 |
| | 250090 | CLUTCH | EATON 15.5" 2 PLATE CERAMETALLIC ADVANTAGE SELF-ADJUST 9-SPRING, 4 PAD - 1650 LB-FT CAPACITY | 0 | 0 |

| | | | WEIGHT (LB) | |
|--------------|------------------|--|-------------|------|
| TRANSMISSION | DESCRIPTION | | FRONT | REAR |
| RBXA1X | CLUTCH LUBE LINE | LUBE LINE BETWEEN RELEASE BEARING AND BELL HOUSING | 0 | 0 |

| | | | WEIGHT (LB) | | |
|-----------------------|-------------|--------------------------------|--|------|---|
| PROGRAMMABLE FEATURES | DESCRIPTION | | FRONT | REAR | |
| S | 9KAB1X | IDLE EMISSION CERTIFICATION | IDLE EMISSION CERTIFICATION, CARB 08 | 0 | 0 |
| S | Y7BB1X | IDLE EMISSION LABEL LOCATION | CAB MOUNTED CARB 08 DECAL LOCATION | 0 | 0 |
| S | A3AAAX | IDLE SHUTDOWN | ENGINE IDLE SHUTDOWN, ENABLE | 0 | 0 |
| S | E0XFLX | ENGINE IDLE SHUTDOWN TIME | IDLE SHUTDOWN TIME 5 MINUTES | 0 | 0 |
| S | K7XA1X | ENGINE IDLE CONTROL | BASIC ENGINE IDLE CONTROL | 0 | 0 |
| S | D3AAEX | AMBIENT TEMP MAX TRESHOLD | MAXIMUM AMBIENT AIR TEMPERATURE OVER-RIDE, 80 DEG F (27 DEG C) | 0 | 0 |
| S | D2AACX | AMBIENT TEMP MIN TRESHOLD | MINIMUM AMBIENT AIR TEMPERATURE OVER-RIDE, 45 DEG F (7 DEG C) | 0 | 0 |
| S | JDXD1X | CRUISE CONTROL | WITH ECO CRUISE CONTROL | 0 | 0 |
| S | JFXLRX | CRUISE CONTROL, MAX SPEED | MAXIMUM CRUISE, 68 MPH (110 KM/H) | 0 | 0 |
| S | Y3CC5X | PEDAL RSL SETTING | PEDAL ROAD SPEED LIMIT, 65 MPH (105 KM/H) | 0 | 0 |
| S | JCXF1X | ROAD SPEED LIMITER SETTING | ROAD SPEED LIMIT, 68 MPH (110 KM/H) | 0 | 0 |
| S | U4AA1X | LOW GEAR LIMITING FEATURE | GEAR DOWN VEHICLE SPEED LIMITER ENABLED | 0 | 0 |
| S | U5AL1X | LOW GEAR LIMITING SPEED | GEAR DOWN VEHICLE SPEED, 63 MPH (101 KM/H) | 0 | 0 |
| S | E3AAFV | CRUISE CONTROL MIN SPEED | MIN CRUISE, 35 MPH (56 KM/H) | 0 | 0 |
| S | E5AAEX | ENG BRK ENGAGE IN CRUISE | ENGAGE ENGINE BRAKE 5 MPH (8.0 KM/H) ABOVE SET CRUISE SPEED | 0 | 0 |
| S | X2BA1X | ROAD SPEED LIMIT CONTROL TYPE | WITH ECO RSL CONTROL | 0 | 0 |
| S | 0NAA1X | OPTIMIZED FUEL ECON INDICATOR | OPTIMIZED FUEL ECONOMY INDICATOR, SWEET SPOT | 0 | 0 |
| S | X1BA1X | ENGINE LOAD IN PTO | 30% MINIMUM ENGINE LOAD LIMIT IN PTO BEFORE ALLOW IDLE SHUTDOWN | 0 | 0 |
| S | W5BA1X | MAXIMUM ENG SPEED AT 0 MPH | 1000 MAXIMUM ENGINE RPM AT 0 MPH | 0 | 0 |
| S | X4BA1X | COOLANT WARM HOLD TEMP | COOLANT WARM HOLD TEMP ENABLED | 0 | 0 |
| S | R4BA1X | PRE-TRIP DIAGNOSTIC INSPECTION | PRE-TRIP ASSISTANT | 0 | 0 |
| S | 0RAD1X | REGENERATION CONTROLS, DPF | DPF REGEN CONTROL, AUTO REGEN IN MOTION, MANUAL PARKED REGEN, MANUAL INHIBIT | 0 | 0 |
| S | K5XA2X | ENGINE PROTECTION SYSTEM | ENGINE PROTECTION (SHUTDOWN) | 0 | 0 |
| S | EXXGQX | PTO MAX ENGINE SET SPEED | PTO ENGINE MAXIMUM 650 RPM | 0 | 0 |
| S | EYXGQX | PTO RESUME ENGINE SET SPEED | PTO ENGINE RESUME 650 RPM | 0 | 0 |

| | | | WEIGHT (LB) | | |
|------------|-------------|-----------------------------|--|------|---|
| FRONT AXLE | DESCRIPTION | | FRONT | REAR | |
| S | 370400 | FRONT AXLE PACKAGE | VOLVO VF12 12,000 LB FRONT SPRINGS | 0 | 0 |
| S | YNXB1X | FRONT STABILIZER | FRONT STABILIZER | 86 | 0 |
| S | 70BB1X | BRAKE REGULATION | BRAKE REGULATION, STOPPING DISTANCE 310 FT (94M) | 0 | 0 |
| S | 782014 | FRONT BRAKE PACKAGE | FRONT BRAKE BENDIX SPICER, NEXT GENERATION HEAVY DUTY, STANDARD LUBE | 42 | 0 |
| S | U5XA1X | FRONT, BRAKE DIMENSION | 16.5X5 FRONT BRAKE SIZE | 0 | 0 |
| S | U3XA1X | BRAKE, FRONT | CAST IRON FRONT BRAKE DRUM OUTBOARD MOUNTED | 0 | 0 |
| S | LQXAQX | BRAKE LINING MATERIAL FRONT | BRAKE LINING MATERIAL FRONT, BENDIX SPICER ES420 | 0 | 0 |

| | | | | WEIGHT (LB) | |
|------------|--------|--------------------------|--|-------------|------|
| FRONT AXLE | | DESCRIPTION | | FRONT | REAR |
| S | K2EA1X | BRAKE SHOE COATING FRONT | BRAKE SHOE COATING FRONT, BASIC | 0 | 0 |
| S | 0KX11X | HUB MATERIAL, FRONT | ALUMINIUM PRESET PLUS FRONT AXLE HUBS WITH SKF HUBCAPS | 0 | 0 |
| S | 7VXB1X | LUBRICANTS, FRONT AXLE | SYNTHETIC FRONT AXLE LUBRICANT | 0 | 0 |
| S | XAXBFX | STEERING GEAR RATIO | TRW THP60 INTEGRAL POWER STEERING GEAR | 0 | 0 |
| S | M0XA1X | STEERING SHAFT TYPE | BASIC STEERING SHAFT | 0 | 0 |
| S | 371001 | FRONT SUSPENSION PACKAGE | 59" PARABOLIC LEAF FRONT SUSPENSION MATCHED TO FRONT AXLE CAPACITY | 0 | 0 |
| S | IRXA1X | FRONT SUSP MAINTENANCE | LUBRICATED SPRING PINS AND BUSHINGS | 0 | 0 |

| | | | | WEIGHT (LB) | |
|-----------|--------|--------------------------------|---|-------------|------|
| REAR AXLE | | DESCRIPTION | | FRONT | REAR |
| | 330145 | REAR AXLE PACKAGE | MERITOR RS23-160 23,000 LB CAPACITY | 0 | 0 |
| | TAXDNX | REAR AXLE RATIO | 3.07 REAR AXLE RATIO | 0 | 0 |
| S | 350407 | REAR SUSPENSION PACKAGE | 20,000 LB VOLVO AIR SUSPENSION | 0 | 0 |
| S | 783021 | REAR BRAKE PACKAGE | REAR BRAKE BENDIX SPICER, NEXT GENERATION LIGHTWEIGHT, STANDARD LUBE | 0 | 0 |
| S | U8XA1X | REAR, BRAKE DIMENSION (DRIVE) | 16.5X7 REAR BRAKE SIZE | 0 | 0 |
| S | U4XA1X | BRAKE, DRIVE, REAR | CAST IRON DRIVE AXLE BRAKE DRUM OUTBOARD MOUNTED | 0 | 0 |
| S | MAXF1X | BRAKE LINING MATERIAL DRIVE | BRAKE LINING MATERIAL DRIVE, BENDIX SPICER ES-600 | 0 | 0 |
| S | J8EA1X | BRAKE SHOE COATING DRIVE | BRAKE SHOE COATING DRIVE, BASIC | 0 | 0 |
| S | 0LX11X | HUB MATERIAL, DRIVE | ALUMINIUM PRESET PLUS DRIVE AXLE HUB WITH INTEGRATED SPINDLE NUT | 0 | 0 |
| S | 7WXADX | LUBRICANTS, REAR AXLE | CHEVRON DELO GEAR LUBRICANT ESI SAE 80W-90 (APPROVED FOR MERITOR EXTENDED COMPONENT WARRANTY) | 0 | 0 |
| S | 781055 | PARKING BRAKE CHAMBER PACKAGE | TWO CAM TYPE HALDEX | 0 | 0 |
| S | V1AB1X | REAR BRAKE CHAMBER SIZE | REAR BRAKE CHAMBER 30 / 30 SQ INCHES (SERVICE / EMERGENCY) | 0 | 0 |
| S | UKXA1X | BRAKE CYLINDER STROKE LENGTH | BASIC LENGTH BRAKE CHAMBER STROKE | 0 | 0 |
| S | 784009 | FRONT AND REAR SLACK ADJUSTERS | HALDEX BRAKE ADJUSTER FRONT AND REAR | 0 | 0 |
| S | O5BC1X | FRONT BRAKE CHAMBER SIZE | FRONT BRAKE CHAMBER 20 SQUARE INCHES (SERVICE) | 0 | 0 |

| | | | | WEIGHT (LB) | |
|---------|--------|--|---|-------------|------|
| CHASSIS | | DESCRIPTION | | FRONT | REAR |
| S | 3XBHAX | DRIVER SIDE FRONT CHASSIS CONFIGURATION | LEFT HAND BATTERY BOX - 4 CAPACITY, DEF TANK MOUNTED BEHIND BATTERY BOX (VNL / VNR) | 0 | 0 |
| S | 3YBAFX | PASSENGER SIDE FRONT CHASSIS CONFIGURATION | INTEGRATED DPF & SCR (VNR / VNL / VHDB) | 0 | 0 |
| S | 400156 | WHEELBASE | 156" WHEELBASE | 201 | 201 |
| S | 402033 | OVERHANG | 33" OVERHANG | 0 | 86 |
| S | KBXB1X | FUEL TANK SHAPE, LIQUID | 26" DIA CYLINDRICAL FUEL TANK | 0 | 0 |
| S | J8XB1X | LIQUID FUEL TANK, LEFTHAND SIDE | 75 GALLON LEFT HAND FUEL TANK | 0 | 0 |
| S | KEXA1X | FUEL TANK MATERIAL, LIQUID | ALUMINUM FUEL TANK MATERIAL | 0 | 0 |
| S | HBXB1X | FUEL TANK POSITION - DIESEL | FUEL TANK POSITION 1 | 0 | 0 |
| S | 45XC1X | AERODYN.DEVICE, CAB SKIRT | CUSTOM CAB SKIRT | 0 | 0 |
| S | 8NAA1X | DPF COVER | DPF COVER, PAINTED STEEL | 0 | 0 |
| S | U6BA1X | DEF TANK COVER | PAINTED DIESEL EXHAUST FLUID TANK COVER | 0 | 0 |
| S | JHXA1X | FUEL HOSES, LIQUID | NYLON FUEL LINES | 0 | 0 |

| | | | | WEIGHT (LB) | |
|---------|--------|-------------------------------|--|-------------|------|
| CHASSIS | | DESCRIPTION | | FRONT | REAR |
| S | KHXA1X | FUEL TANK STRAPS MTRL | PAINTED STEEL FUEL TANK STRAPS | 0 | 0 |
| S | KFXA1X | FUEL TANK CAP | NON-LOCKING FUEL TANK CAP | 0 | 0 |
| S | 8HAA1X | AIR TANK ARRANGEMENT | AIR TANK ARRANGEMENT, BASIC | 0 | 0 |
| S | U2XB1X | AIRTANK MATERIAL | STEEL AIR TANKS | 0 | 0 |
| S | VHXE5X | AIR DRYER - MANUFACTURER | WABCO AIR DRYER SS - HP WITHOUT TURBO CUT OFF VALVE WITH COALESCING FILTER | 0 | 0 |
| S | UWXD1X | AIRTANK DRAIN VALVE | MANUAL DRAIN VALVES, LANYARD ON WET TANK | 0 | 0 |
| S | 403002 | FRAME RAIL PACKAGE | 10.47"X3.54"X.28" STRAIGHT STEEL RAILS | 0 | 0 |
| S | 8EXB1X | INTERMEDIATE X-MEMBER MATRL | STEEL CROSSMEMBER MATERIAL | 20 | 23 |
| S | X8XB1X | FORW REAR SUSP. X-MEMBER MTRL | STEEL CROSSMEMBER MATERIAL | 0 | 0 |
| S | X6XA1X | REAR FRAME TREATMENT | STRAIGHT CUT-OFF REAR CROSSMEMBER | 0 | 38 |
| S | 4DXE0X | FRONT BUMPER | PAINTED MOLDED AERO BUMPER | 0 | 0 |
| S | 65XB1X | FRONT MUDGUARD EXTENSION | NO FRONT FENDER EXTENSION PROVIDED | 0 | 0 |
| S | 5EXB1X | GUARD | LOWER RADIATOR HEAVY DUTY ROCK GUARD | 0 | 0 |
| S | 4EXB1X | TOWING DEVICE, FRONT | TWO FRONT TOWING DEVICES | 0 | 0 |
| S | Q8CH1X | CHASSIS WIRING HARNESS CASING | HEAVY DUTY MAIN CHASSIS WIRING HARNESS COVERING | 0 | 0 |
| S | U7CFLX | LH FUEL TANK FACE LOCATION | LH FUEL TANK FRONT FACE @ XM=4957 | 0 | 0 |

| | | | | WEIGHT (LB) | |
|----------------------|--------|-----------------------|-----------------------------------|-------------|------|
| TRANSPORT ADAPTATION | | DESCRIPTION | | FRONT | REAR |
| S | WLXC1X | TRAILER BRAKE CONTROL | DELETE TRAILER BRAKE HAND CONTROL | 0 | 0 |

| | | | | WEIGHT (LB) | |
|------------------------|--------|--------------------|-----------------------------------|-------------|------|
| CALCULATED CODES - KAX | | DESCRIPTION | | FRONT | REAR |
| S | 9JXA1X | PROPCALC SELECTION | YES, THE ORDER MUST BE CALCULATED | 0 | 0 |

| | | | | WEIGHT (LB) | |
|--------------|--------|-----------------------------|---------------------------------------|-------------|------|
| CAB EXTERIOR | | DESCRIPTION | | FRONT | REAR |
| S | 2DX05X | CAB SUSPENSION REAR | MECHANICAL CAB SUSPENSION WITH SHOCKS | 0 | 0 |
| S | 21XA1X | AUXILIARY REAR WINDOW | STANDARD REAR WINDOW | 0 | 0 |
| S | D2XA1X | WIPER BLADE STYLE | WIPER BLADES | 0 | 0 |
| S | 28XB1X | FRONT GRILLE | CHROME PLATED FRONT GRILLE | 0 | 0 |
| S | 0EAC1X | AIR INTAKE GRILLE, FINISH | AIR INTAKE GRILLE, BLACK | 0 | 0 |
| S | LZXD1X | AUX. HORN | DUAL TRUMPET MOUNTED UNDER CAB | 0 | 0 |
| S | 3FX49X | EXTERIOR MIRROR | BLACK AERODYNAMIC MIRRORS | 0 | 0 |
| S | 3GXC1X | EXTERIOR MIRROR FEATURES | HEATED, POWER AXIS MIRROR, BOTH SIDES | 3 | 0 |
| | 4NXZ1X | SUNVISOR, EXTERIOR | NO EXTERIOR SUN VISOR PROVIDED | -13 | 0 |
| S | 88AJ8X | ANNIVERSARY BADGES | 25 YEARS VNL ANNIVERSARY BADGES | 0 | 0 |
| S | T3CA1X | EXTERIOR BRAND BADGING (CA) | EXTERIOR BADGES & EMBLEMS | 0 | 0 |

| | | | | WEIGHT (LB) | |
|--------------|--------|-------------------------------|--|-------------|------|
| CAB INTERIOR | | DESCRIPTION | | FRONT | REAR |
| S | 540088 | INTERIOR TRIM PACKAGE | FLEET - VINYL PANELS WITH METAL HEX TRIM | 0 | 0 |
| S | 1DAF1X | SEAT MFG. AND SERIES, DRIVER | NATIONAL DRIVER SEAT | 0 | 0 |
| S | 15DA1X | SEAT PROFILE, DRIVER | STANDARD WIDTH DRIVER SEAT | 0 | 0 |
| S | 520101 | DRIVER SEAT | X1 WREN VINYL | 0 | 0 |
| S | 3ZXG2X | DRIVER SEAT SUPPORT | DRIVER SEAT - AIR SUSPENDED | 0 | 0 |
| S | 17DA1X | SEAT COMFORT, DRIVER | DRIVER SEAT - ONE AIR ADJUSTABLE LUMBAR CHAMBER | 0 | 0 |
| S | 1GAF1X | SEAT MFG. & SERIES, PASSENGER | NATIONAL PASSENGER SEAT | 0 | 0 |
| S | 16DA1X | SEAT PROFILE, PASSENGER | STANDARD WIDTH PASSENGER SEAT | 0 | 0 |
| S | 521101 | PASSENGER SEAT | X1 WREN VINYL | 0 | 0 |
| S | 34XAAX | PASSENGER SEAT SUPPORT | PASSENGER SEAT - FIXED WITH INTEGRATED STORAGE | 0 | 0 |
| S | 0HAA1X | SEAT SUPPORT, DUST COVER | SEAT BASE DUST COVER, DRIVER SIDE | 0 | 0 |
| S | K7AA1X | SEAT BELT SIZE | STANDARD SAFETY BELT LENGTH | 0 | 0 |
| S | OUXA1X | SAFETY BELT DRIVER SEAT | SEAT BELT DRIVER SEAT BLAC | 0 | 0 |
| S | OXXA1X | SAFETY BELT PASSENGER SEAT | SAFETY BELT PASSENGER SEAT BLAC | 0 | 0 |
| S | 4AXB1X | CLIMATE UNIT | INTEGRAL AIR CONDITIONER WITH HEATER - MANUAL CONTROLS | 0 | 0 |
| S | 31XK2X | FLOOR MATS | FRONT FLOOR INSERTS, RUBBER | 0 | 0 |
| | 4JXZ1X | RADIO SHELF | NO DRIVER OVERHEAD STORAGE PROVIDED | -8 | -2 |
| S | XRXB1X | STEERING WHEEL ADJUSTMENT | STANDARD STEERING WHEEL ADJUSTMENT | 0 | 0 |
| S | 7BAA3X | STEERING WHEEL MATERIAL | STANDARD STEERING WHEEL COVERING | 0 | 0 |
| S | 571020 | GAUGE PACKAGE | EIGHT GAUGE INSTRUMENT CLUSTER | 0 | 0 |
| S | 9NDB1X | TRIP METER | TRIP METER, TWO TRIPS | 0 | 0 |
| S | PVXA2X | AIR RESTRICTION INDICATOR | GRADUATED ARI ON FILTER | 0 | 0 |
| S | N8XD1X | SPEEDOM. GRADUATION | MPH SPEEDOMETER GRADUATION | 0 | 0 |

| | | | | WEIGHT (LB) | |
|----------|--------|--------------|--------------------------------------|-------------|------|
| LIGHTING | | DESCRIPTION | | FRONT | REAR |
| | 836005 | HEADLAMPS | LED HEADLAMPS WITH BASIC DRL | 0 | 0 |
| S | LSXG1X | LOW BEAM | EQUIPPED WITH DAYTIME RUNNING LIGHTS | 0 | 0 |
| S | NEXC1X | TAIL LAMPS | DUAL WITH INTEGRAL BACKUP LIGHTS | 0 | 0 |
| | NPXA1X | TURN SIGNALS | NON CANCELLING TURN SIGNAL SWITCH | 0 | 0 |

| | | | | WEIGHT (LB) | |
|--------------|--------|-------------------------------|--|-------------|------|
| AUDIO SYSTEM | | DESCRIPTION | | FRONT | REAR |
| | 590030 | RADIO PACKAGE | AM / FM / MP3 RADIO | 0 | 0 |
| S | 73AJ1X | RADIO ANTENNA | SINGLE RIGHT HAND 48 INCH MIRROR MOUNTED RADIO ANTENNA | 3 | 0 |
| S | LYXF1X | STEERING WHEEL SWITCHES | WITH STEERING WHEEL SWITCHES | 3 | 0 |
| S | N0XA1X | INTERRUPTER SWITCH, ROOFLAMPS | MARKER INTERRUPTER SWITCH | 0 | 0 |
| S | 5CXA1X | SPEAKER LOCATION | SPEAKERS IN DASH ONLY | 0 | 0 |
| | 5JXZ1X | COM.RADIO PREP KIT (CB) | NO CB RADIO MOUNTING PROVIDED | -2 | 0 |
| | 5BXZ1X | ANTENNA, CB RADIO | NO CB ANTENNA PROVIDED | -2 | 0 |

| | | | | WEIGHT (LB) | |
|--------------------|--------|-------------------------|--|-------------|------|
| MISC CAB EQUIPMENT | | DESCRIPTION | | FRONT | REAR |
| S | 2XX35X | WINDOW LIFT | POWER WINDOW LIFT BOTH DOORS | 7 | 5 |
| S | 3AXB1X | DOOR LOCK CAB | MANUAL CAB DOOR LOCKS | 0 | 0 |
| S | 20XA1X | KEY TYPES FOR DOORS | BASIC UNIQUE KEY | 0 | 0 |
| S | 8BXB1X | KEY QUANTITY PER TRUCK | 4 KEYS PROVIDED PER UNIT | 0 | 0 |
| S | EAXA1X | AUXILIARY SWITCH WIRING | ONE (1) AUXILIARY SWITCH WITH WIRING, 15 AMP | 0 | 0 |

| | | | | WEIGHT (LB) | |
|------------------------|--------|--------------------------------|---|-------------|------|
| TIRES AND WHEELS FRONT | | DESCRIPTION | | FRONT | REAR |
| S | 093879 | TIRE PACKAGE FRONT | 295/75R22.5G BRIDGESTONE R284 ECOPIA (12350 LBS. GAWR) LONG / REGIONAL HAUL (Total for QTY = 2) | 230 | 0 |
| S | 4WCC1X | TIRE CLASSIFICATION FRONT (CA) | GHG FRONT TIRE CLASSIFICATION, LOW ROLLING RESISTANCE | 0 | 0 |
| S | 084548 | RIM/WHEEL PACKAGE FRONT | 22.5X8.25 ALCOA ULTRA ONE CLEAN BUFF ALUMINUM 286BC HUB PILOTTED (Total for QTY = 2) | 80 | 0 |
| S | 907002 | FRONT WHEEL AND TIRE QUANTITY | TWO FRONT WHEELS AND TIRES | 0 | 0 |

| | | | | WEIGHT (LB) | |
|-----------------------|--------|-------------------------------|---|-------------|------|
| TIRES AND WHEELS REAR | | DESCRIPTION | | FRONT | REAR |
| S | 0940A1 | TIRE PACKAGE REAR | 295/75R22.5G BRIDGESTONE M713 ECOPIA (22700 LBS. GAWR) LONG / REGIONAL HAUL (Total for QTY = 4) | 0 | 459 |
| S | 4XCA1X | TIRE CLASSIFICATION REAR (CA) | GHG REAR TIRE CLASSIFICATION, ADVANCED LOW ROLLING RESISTANCE | 0 | 0 |
| S | 085548 | RIM/WHEEL PACKAGE REAR | 22.5X8.25 ALCOA ULTRA ONE CLEAN BUFF ALUMINUM 286BC HUB PILOTTED (Total for QTY = 4) | 0 | 159 |
| S | 908004 | DRIVE WHEEL AND TIRE QUANTITY | FOUR DRIVE WHEELS AND TIRES | 0 | 0 |

| | | | | WEIGHT (LB) | |
|---------------------|--------|----------------------|--------------------------------|-------------|------|
| MISC TIRE EQUIPMENT | | DESCRIPTION | | FRONT | REAR |
| S | 15XABX | TIRE INFLATION VALVE | TIRE INFLATION VALVE, STANDARD | 0 | 0 |

| | | | | WEIGHT (LB) | |
|-------|--------|-------------------------|--|-------------|------|
| PAINT | | DESCRIPTION | | FRONT | REAR |
| S | 950800 | CAB PAINT SCHEME | SINGLE COLOR PAINT | 0 | 0 |
| S | 9801T4 | FIRST TRUCK COLOR | GLACIER WHITE; P3029 | 0 | 0 |
| S | MPB980 | CAB COLOR | CAB SAME AS FIRST COLOR | 0 | 0 |
| S | MPD980 | HOOD COLOR | HOOD SAME AS FIRST COLOR | 0 | 0 |
| S | MPE980 | COWL COLOR | COWL SAME AS FIRST COLOR | 0 | 0 |
| S | 987980 | BUMPER COLOR | BUMPER SAME AS FIRST COLOR | 0 | 0 |
| S | 994998 | ROOF FAIRING COLOR | NO ROOF FAIRING COLOR PROVIDED | 0 | 0 |
| | 996998 | SUN VISOR COLOR | NO SUN VISOR COLOR PROVIDED | 0 | 0 |
| S | 9861U1 | CHASSIS COLOR | BLACK P3036 | 0 | 0 |
| S | 988401 | DISC WHEEL OR RIM COLOR | STEEL DISC WHEELS - PREPAINTED WHITE, POWDER - COAT, ALUMINUM OR STYLIZED DISC - UNPAINTED | 0 | 0 |

| | | | | WEIGHT (LB) | |
|-------------------|--------|-------------------------|--------------------------------|-------------|------|
| BUSINESS SERVICES | | DESCRIPTION | | FRONT | REAR |
| S | 9LAA1X | PRE-DELIVERY INSPECTION | PRE-DELIVERY INSPECTION, BASIC | 0 | 0 |

| | | | | WEIGHT (LB) | |
|-------------------------------|--------|--------------------------------------|--------------------------------------|-------------|------|
| OUTSIDE MODIFICATION PLANNING | | DESCRIPTION | | FRONT | REAR |
| S | 615998 | FONTAINE IN-SERVICE PLANNING CODE | NO FONTAINE IN-SERVICE PLANNING CODE | 0 | 0 |
| S | 617998 | FONTAINE BODY INSTALL CODE | NO FONTAINE BODY INSTALL | 0 | 0 |
| S | 618998 | FONTAINE AUXILIARY AXLE INSTALL CODE | NO FONTAINE AUXILIARY INSTALL | 0 | 0 |
| S | 609998 | FONTAINE LEAD TIME CODE | NO FONTAINE LEAD TIME | 0 | 0 |

| | | | | WEIGHT (LB) | |
|---------------------------------------|--------|---|---|-------------|------|
| BASE WARRANTY AND PURCHASED COVERAGES | | DESCRIPTION | | FRONT | REAR |
| S | 899301 | CHASSIS COVERAGE | NORMAL_DUTY_STANDARD_BASE_COVERAGE 12_MONTHS / 100,000_MILES | 0 | 0 |
| S | 896900 | VOLVO D11/D13 ENGINE EXTENDED COVERAGE | VOLVO D11/D13 BASE ENGINE COVERAGE - 24MTHS/250K MILES | 0 | 0 |
| S | M99998 | CUSTOM/BUNDLED PURCHASE COVERAGE OPTIONS | NO CUSTOM/BUNDLED PURCHASE COVERAGE OPTIONS PROVIDED | 0 | 0 |
| S | 875001 | VEHICLE EMISSIONS COMPONENTS COVERAGE | US & CANADA VOLVO ENGINE EQUIPPED VEHICLE EMISSIONS COMPONENTS COVERAGE_60 MONTHS/100K_MILES | 0 | 0 |
| S | 894998 | CUMMINS ENGINE EXTENDED COVERAGE | NO CUMMINS ENGINE PROTECTION PLAN INCLUDED | 0 | 0 |
| S | 878998 | CUMMINS EXTENDED AFTERTREATMENT COVERAGE | NO CUMMINS AFTERTREATMENT EXTENDED COVERAGE PROVIDED | 0 | 0 |
| | 880008 | TRANSMISSION COVERAGE | 36 MTHS/300K MILES: EATON FULLER LINEHAUL WARRANTY FOR ALL 13, 15, OR 18-SPEED MANUAL TRANSMISSIONS | 0 | 0 |
| S | 685998 | CLUTCH COVERAGE | NO CLUTCH COVERAGE PROVIDED | 0 | 0 |
| S | 888900 | ADDITIONAL EXTENDED CHASSIS TOWING COVERAGE | BASE CHASSIS TOWING COVERAGE, 90 DAY/5000 MILE/8050 KILOMETER | 0 | 0 |
| S | 874900 | ADDITIONAL EXTENDED ENGINE TOWING COVERAGE | BASE VOLVO ENGINE TOWING COVERAGE, 24 MO/250K MILE | 0 | 0 |
| S | 959998 | NEW PAINT DEVELOPMENT FEE | NO NEW PAINT DEVELOPMENT FEE | 0 | 0 |
| S | 866011 | REMOTE DIAGNOSTICS BUNDLE | REMOTE DIAGNOSTICS WITH REMOTE PROGRAMMING - 24 MONTHS | 0 | 0 |
| S | 9YDA1X | REMOTE PROGRAMMING DRIVER DISPLAY ACTIVATION NOTIFICATION | REMOTE PROGRAMMING NOTIFICATION TO DRIVER, START UP SCREEN & ICON | 0 | 0 |
| S | 867001 | UPTIME CENTER BUNDLE | ASIST AND VOLVO ACTION SERVICE - 24 MONTHS | 0 | 0 |
| S | 862010 | PREPAID API | WITHOUT PREPAID API | 0 | 0 |

FRONT / REAR AXLE WEIGHTS (LB)

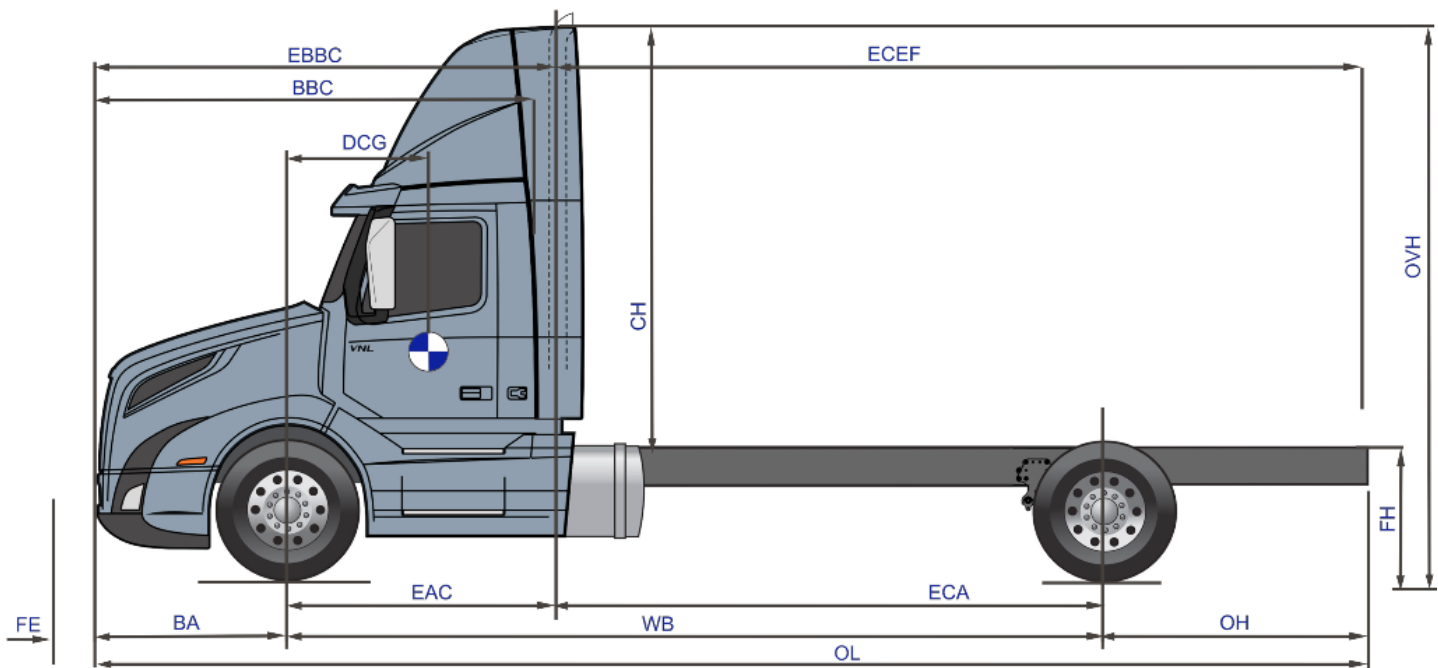
8063 3576

TOTAL WEIGHT (LB)

11639

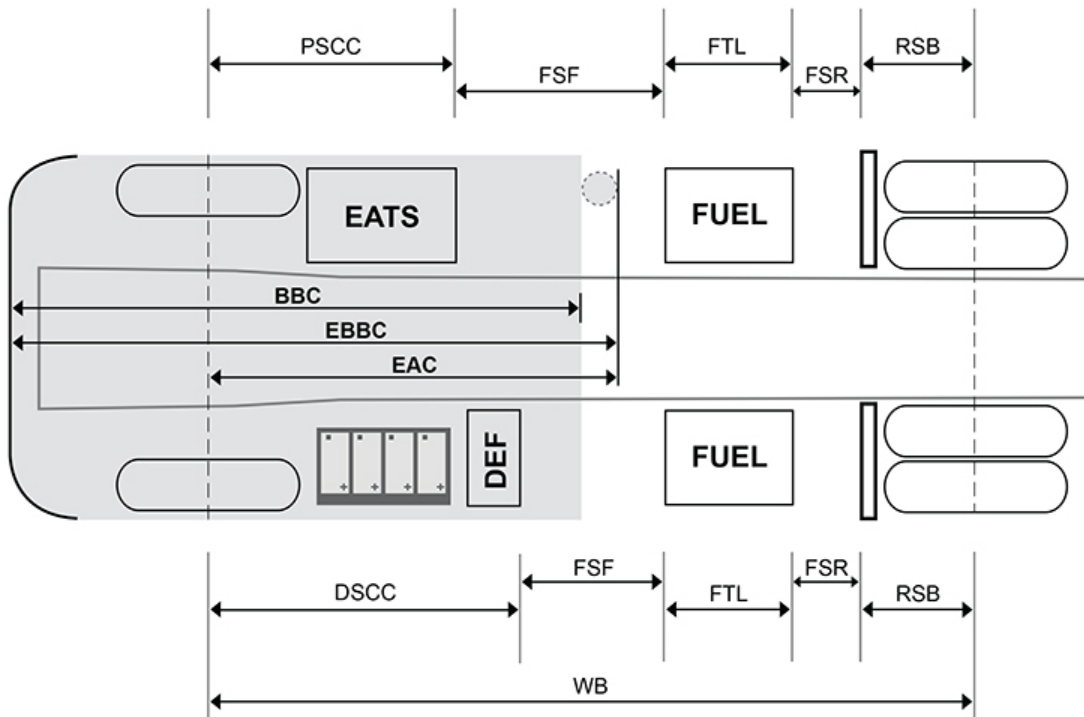
VEHICLE SPECIFICATION/CALCULATED PERFORMANCE SUMMARY

| Description | Sales Code | Dwg Ref | Length | UOM |
|--------------------------------|------------|---------|--------|--------|
| Front Frame Extension | N/A | FE | 0.0 | INCHES |
| Bumper to Front Axle | N/A | BA | 53.7 | INCHES |
| Wheelbase | N/A | WB | 155.5 | INCHES |
| Rear Overhang | N/A | OH | 33.3 | INCHES |
| Overall Length | N/A | OL | 242.5 | INCHES |
| Bumper to Back of Cab | N/A | BBC | 124.0 | INCHES |
| Eff. Bumper to Back of Cab | N/A | EBBC | 124.0 | INCHES |
| Eff. Cab to Rear Axle | N/A | ECA | 85.2 | INCHES |
| Eff. Front Axle to Back of Cab | N/A | EAC | 70.3 | INCHES |
| Eff. Cab to End of Frame | N/A | ECEF | 118.5 | INCHES |
| Unladen 5th Wheel Height | E5BZ1X | 5W | 0.0 | INCHES |
| Unladen Frame Height | N/A | FH | 39.0 | INCHES |
| Cab Height | N/A | CH | 75.0 | INCHES |
| Overall Height | N/A | OVH | 114.0 | INCHES |
| Driver CG | N/A | DCG | 50.0 | INCHES |
| Second Front Axle Spacing | | SFAS | 0.0 | INCHES |



VEHICLE SPECIFICATION/CALCULATED PERFORMANCE SUMMARY

| Description | Sales Code | Dwg Ref | Left Value(in) | Right Value(in) |
|---|-----------------|---------|----------------|-----------------|
| Wheelbase | N/A | WB | 155.5 | 155.5 |
| Bumper to Back of Cab | N/A | BBC | 124.0 | 124.0 |
| Eff. Bumper to Back of Cab | N/A | EBBC | 124.0 | 124.0 |
| Eff. Front Axle to Back of Cab | N/A | EAC | 70.3 | 70.3 |
| LEFT HAND BATTERY BOX - 4 CAPACITY, DEF TANK MOUNTED BEHIND BATTERY BOX (VNL / VNR) | 3XBHAX | DSCC | 78.5 | N/A |
| INTEGRATED DPF & SCR (VNR / VNL / VHDB) | 3YBAFX | PSCC | N/A | 75.2 |
| Frame Space Front | N/A | FSF | 0.9 | 0.0 |
| 75 GALLON LEFT HAND FUEL TANK / NO RIGHT HAND DIESEL TANK PROVIDED | J8XB1X / J9XK1X | FTL | 36.0 | 0.0 |
| Frame Space Rear | N/A | FSR | 12.6 | 52.8 |
| 20,000 LB VOLVO AIR SUSPENSION | 350407 | RSB | 27.5 | 27.5 |



Top View image is intended for illustration purposes only and is not presented to scale. Wheelbase, Axle Spacing and After frame are not shown as specified, but are a representation. Customer Adaptation (CA) options and relocated components are not represented in these images. Most CA options impact the variation of the image, thus an image may not populate. Calculations are approximate to a tolerance of ± 4 inches due to component mounting variation. Certain chassis component options are NOT represented in the Top View image, such as, but not exclusive to, Front Frame Extensions, Fuel Water Separators, Air Dryers, PTOs, Fifth Wheels, Chassis Fairings, Toolboxes, Trailer Connections. For further information on these items and their respective locations on your specification, please refer to the data sheets associated with those items in the configurator.