



Truck & Trailer Centers

TECHNICAL SPECIFICATION

VHD64FT300 Daycab

				WEIGHT (LB)	
MODEL PACKAGE		DESCRIPTION		FRONT	REAR
S	012636	MARKETING MODEL	VHD64FT300	0	0
S	007636	MODEL	VHD64FT300	7,166	5,053
S	99X76X	ASSEMBLY PLANT	VOLVO TRUCKS - ASSEMBLED IN THE USA	0	0

				WEIGHT (LB)	
VEHICLE ADAPTATION		DESCRIPTION		FRONT	REAR
S	114010	MARKET ADAPTATION	USA / USA TERRITORY MARKET ADAPTATION	0	0
S	36XF1X	LANGUAGE ON DECALS	ENGLISH/SPANISH LANGUAGE ON DECALS	0	0
S	38XCNX	FIRST PUBLICATION LANGUAGE	ENGLISH	0	0
S	125001	AREA/DOMICILE (EXHAUST)	49 STATE + CANADA / NON CALIFORNIA	0	0
S	263009	VEHICLE APPLICATION	TRACTOR / LOW-BOY TRAILER	0	0
S	DKXG2X	GROSS COMBINATION WEIGHT	80,000 LB GROSS COMBINATION WEIGHT	0	0
S	2MCA1X	VEHICLE GHG CERTIFICATION	GREEN HOUSE GAS COMPLETE VEHICLE CERTIFICATION	0	0
S	3GCB1X	GHG APPLICATION, VEHICLE	GREEN HOUSE GAS VOCATIONAL APPLICATION	0	0
S	898003	VEHICLE WARRANTY QUALIFICATION	STANDARD HEAVY DUTY WARRANTY QUALIFIED	0	0
S	259003	VEHICLE VOCATION	CONSTRUCTION SERVICE	0	0
S	P1CZ1X	LOAD HANDLING EQ. CRANE	WITHOUT LOAD HANDLING EQUIPMENT, CRANE	0	0
S	P3CZ1X	LOAD HANDLING AND MISC. EQUIPM	WITHOUT MISCELLANEOUS LOAD HANDLING EQUIPMENT	0	0
S	260006	OPERATING TERRAIN GRADE CONDITIONS	ON HIGHWAY, STARTING GRADES <16%	0	0
S	QCXA1X	TOPOGRAPHY	MOSTLY FLAT, MOST GRADES <3% (EX. OHIO)	0	0
S	E1BD1X	AMBIENT TEMPERATURE UPPER LIMIT	SUMMER AMBIENT TEMPERATURES DO NOT REGULARLY EXCEED 104 DEGREE F (40 DEGREE C)	0	0
S	264001	LOADING SURFACE FACTOR	CONCRETE LOADING AND / OR UNLOADING SURFACE	0	0
S	DHX20X	ROAD CONDITION	OPERATING CLASS TWO (ON/OFF HIGHWAY)	0	0
	938001	CUSTOMER FLEET SIZE	DEALER FLEET WITH LESS THAN 25 VEHICLES IN OWN FLEET OF ANY VEHICLE BRAND	0	0

				WEIGHT (LB)	
PASSIVE AND ACTIVE SAFETY		DESCRIPTION		FRONT	REAR
S	2CXD1X	CAB VERSION	DAY CAB	0	0
	DUXZ1X	AIRBAG	NO AIR BAG PROVIDED	-2	0
S	8ZDAAX	STABILITY CONTROL REGULATIONS	ELECTRONIC STABILITY CONTROL, REGULATION FMVSS	0	0
S	ZMXA1X	ESP PACKAGE	VOLVO ENHANCED STABILITY TECHNOLOGY (VEST)	0	0
	WPXA1X	TRACTION CONTROL	TRACTION CONTROL WITH LIMITED DISABLE	0	0
S	2PEZ1X	DATA CAPTURE	WITHOUT DATA CAPTURE	0	0
S	3MBA1X	PARK BRAKE ALARM	PARK BRAKE ALARM, SOUNDS IF BRAKE OFF AND DRIVER'S DOOR OPENED	0	0

				WEIGHT (LB)	
ENGINE		DESCRIPTION		FRONT	REAR
S	1017V0	ENGINE PACKAGE	VOLVO D11 325HP 2100RPM 1250 LBFT - EPA'17 EMISSION LEVEL	0	0

				WEIGHT (LB)	
ENGINE EQUIPMENT		DESCRIPTION		FRONT	REAR
S	KWXA1X	AIR CLEANER TYPE	SINGLE STAGE AIR CLEANER	0	0
S	JWXD1X	AIR INTAKE	HOOD MOUNTED AIR INTAKE	0	0
S	H9XM1X	RADIATOR TYPE	930 SQ IN, 2 ROW CORE RADIATOR	0	0
S	209012	RADIATOR COOLANT	EXTENDED LIFE ETHYLENE GLYCOL ANTI-FREEZE (RED), -34 F (-37 C)	0	0
S	208029	FAN CLUTCH PACKAGE	ELECTRONIC VISCOUS CSI FAN CLUTCH	0	0
S	NCXA5X	STARTER MOTOR	DELCO REMY 12V 39MTHD STARTER	0	0
	PJXMLX	ALTERNATOR CAPACITY	145 AMP DELCO REMY 24SI PAD MOUNT ALTERNATOR (12V)	0	0
S	810111	BATTERY PACKAGE	2 VOLVO 1000 CCA MAINTENANCE FREE 12V BATTERIES, 2000 CCA	0	0
S	L4X16X	BATTERY BOX MOUNTING	BATTERY BOX, LEFT HAND SIDE, BEHIND FRONT FENDER	0	0
S	NQXB1X	BATTERY BOX CONFIGURATION	BATTERY BOX - 3 CAPACITY	0	0
S	L5XA1X	BATTERY BOX COVER	BASIC BATTERY BOX COVER	0	0
	NFXZ1X	MAIN SWITCH	NO BATTERY DISCONNECT SWITCH PROVIDED	-2	0
S	428001	DIESEL EXHAUST FLUID TANK	18.5 GALLON LEFT HAND 26", FRAME MOUNTED (FILLED WITH 10 GALLONS OF DEF, WEIGHING 91 LBS)	159	86
S	230046	EXHAUST SYSTEM	INTEGRATED DPF AND SCR MOUNTED RIGHT HAND SIDE UNDER CAB WITH SINGLE VERTICAL STACK BACK OF CAB	0	0
S	232079	EXHAUST OUTLET PACKAGE	12' 6" ALUMINIZED STAINLESS STEEL SINGLE STACK	0	0
S	K0XD1X	EXHAUST STACK FEATURES	TURNUED OUT EXHAUST EXTENSION	0	0
S	KNXC1X	EXHAUST HEAT SHIELD	ALUMINUM EXHAUST SHIELD	0	0
S	JVXH1X	PRIMARY FUEL FILTER	VOLVO DUAL ENGINE MOUNTED FUEL FILTERS WITH WATER SEPARATOR	0	0
S	MBXA1X	PRIMARY FUEL FILTER POSITION (CA)	STANDARD FUEL FILTER LOCATION	0	0
S	VWXCAX	COMPRESSOR CAPACITY	WABCO 31.8 CFM COMPRESSOR	0	0
S	J2EAAX	ENGINE BRAKE ACTIVATION	ENGINE BRAKE ACTIVATION, BASIC	0	0
S	QHXC1X	OIL SUMP	STAMPED STEEL OIL PAN (STANDARD OIL CHANGE INTERVALS)	0	0

				WEIGHT (LB)	
TRANSMISSION		DESCRIPTION		FRONT	REAR
	270743	TRANSMISSION PACKAGE	EATON 13 SPEED FULLER RTLO-16913A	98	34

TRANSMISSION	DESCRIPTION	WEIGHT (LB)	
		FRONT	REAR
RVXA1X	GEAR SHIFT CONTROL FIXED GEAR SHIFT LEVER	0	0
S 4LDA1X	TRANSMISSION OUTPUT TORQUE STANDARD OUTPUT TORQUE	0	0
S 779998	ALLISON INPUT AND OUTPUT PACKAGE NO ALLISON INPUT AND OUTPUT PACKAGE	0	0
S 778998	FUEL SENSE PACKAGE NO FUEL SENSE PACKAGE	0	0
T2XC3X	TRANSMISSION/RETARDER COOLER WATER TO OIL TRANS COOLER IN RADIATOR	0	0
S 195213	DRIVELINE - MAIN DANA/SPICER SPL250 LITE (PROPS-L)	0	0
S THXC5X	PROPELLER SHAFT MANUFACTURER PROP. SHAFT MANUF. BY SPICER SPL LIGHT SERIES	82	82
S 204201	DRIVELINE - INTERAXLE DANA-SPICER SPL170XL EXTENDED LUBE SERIES	0	0
250090	CLUTCH EATON 15.5" 2 PLATE CERAMETALLIC ADVANTAGE SELF-ADJUST 9-SPRING, 4 PAD - 1650 LB-FT CAPACITY	0	0
RBXA1X	CLUTCH LUBE LINE LUBE LINE BETWEEN RELEASE BEARING AND BELL HOUSING	0	0

PROGRAMMABLE FEATURES	DESCRIPTION	WEIGHT (LB)	
		FRONT	REAR
S 9KAB1X	IDLE EMISSION CERTIFICATION IDLE EMISSION CERTIFICATION, CARB 08	0	0
S Y7BB1X	IDLE EMISSION LABEL LOCATION CAB MOUNTED CARB 08 DECAL LOCATION	0	0
S A3AAAX	IDLE SHUTDOWN ENGINE IDLE SHUTDOWN, ENABLE	0	0
S E0XFLX	ENGINE IDLE SHUTDOWN TIME IDLE SHUTDOWN TIME 5 MINUTES	0	0
S K7XA1X	ENGINE IDLE CONTROL BASIC ENGINE IDLE CONTROL	0	0
S D3AAEX	AMBIENT TEMP MAX TRESHOLD MAXIMUM AMBIENT AIR TEMPERATURE OVER-RIDE, 80 DEG F (27 DEG C)	0	0
S D2AACX	AMBIENT TEMP MIN TRESHOLD MINIMUM AMBIENT AIR TEMPERATURE OVER-RIDE, 45 DEG F (7 DEG C)	0	0
S JDXD1X	CRUISE CONTROL WITH ECO CRUISE CONTROL	0	0
S JFXLRX	CRUISE CONTROL, MAX SPEED MAXIMUM CRUISE, 68 MPH (110 KM/H)	0	0
S Y3CC5X	PEDAL RSL SETTING PEDAL ROAD SPEED LIMIT, 65 MPH (105 KM/H)	0	0
S JCXF1X	ROAD SPEED LIMITER SETTING ROAD SPEED LIMIT, 68 MPH (110 KM/H)	0	0
S U4AA1X	LOW GEAR LIMITING FEATURE GEAR DOWN VEHICLE SPEED LIMITER ENABLED	0	0
S U5AL1X	LOW GEAR LIMITING SPEED GEAR DOWN VEHICLE SPEED, 63 MPH (101 KM/H)	0	0
S E3AAEX	CRUISE CONTROL MIN SPEED MIN CRUISE, 30 MPH (48 KM/H)	0	0
S E5AAEX	ENG BRK ENGAGE IN CRUISE ENGAGE ENGINE BRAKE 5 MPH (8.0 KM/H) ABOVE SET CRUISE SPEED	0	0
S X2BA1X	ROAD SPEED LIMIT CONTROL TYPE WITH ECO RSL CONTROL	0	0
S 0NAA1X	OPTIMIZED FUEL ECON INDICATOR OPTIMIZED FUEL ECONOMY INDICATOR, SWEET SPOT	0	0
S X1BA1X	ENGINE LOAD IN PTO 30% MINIMUM ENGINE LOAD LIMIT IN PTO BEFORE ALLOW IDLE SHUTDOWN	0	0
S W5BE1X	MAXIMUM ENG SPEED AT 0 MPH 1400 MAXIMUM ENGINE RPM AT 0 MPH	0	0
S X4BA1X	COOLANT WARM HOLD TEMP COOLANT WARM HOLD TEMP ENABLED	0	0
S R4BA1X	PRE-TRIP DIAGNOSTIC INSPECTION PRE-TRIP ASSISTANT	0	0
S 0RAD1X	REGENERATION CONTROLS, DPF DPF REGEN CONTROL, AUTO REGEN IN MOTION, MANUAL PARKED REGEN, MANUAL INHIBIT	0	0
S K5XA2X	ENGINE PROTECTION SYSTEM ENGINE PROTECTION (SHUTDOWN)	0	0
S EXXGSX	PTO MAX ENGINE SET SPEED PTO ENGINE MAXIMUM 700 RPM	0	0
S EYXGSX	PTO RESUME ENGINE SET SPEED PTO ENGINE RESUME 700 RPM	0	0

				WEIGHT (LB)	
FRONT AXLE		DESCRIPTION		FRONT	REAR
S	370403	FRONT AXLE PACKAGE	VOLVO VF14 14,600 LB FRONT SPRINGS	20	0
S	70BC1X	BRAKE REGULATION	BRAKE REGULATION, STOPPING DISTANCE 250 FT (76M)	0	0
S	782014	FRONT BRAKE PACKAGE	FRONT BRAKE BENDIX SPICER, NEXT GENERATION HEAVY DUTY, STANDARD LUBE	42	0
S	U5XB1X	FRONT, BRAKE DIMENSION	16.5X6 FRONT BRAKE SIZE	16	0
S	U3XA1X	BRAKE, FRONT	CAST IRON FRONT BRAKE DRUM OUTBOARD MOUNTED	0	0
S	LQXAIX	BRAKE LINING MATERIAL FRONT	BRAKE LINING MATERIAL FRONT, BENDIX SPICER BX380	0	0
S	K2EA1X	BRAKE SHOE COATING FRONT	BRAKE SHOE COATING FRONT, BASIC	0	0
S	UDXA1X	FRONT AXLE BRAKE DUST SHIELD	FRONT BRAKE DUST SHIELDS	0	0
S	0KXI5X	HUB MATERIAL, FRONT	IRON PRESET PLUS FRONT AXLE HUBS WITH SKF HUBCAPS	0	0
S	7VXB1X	LUBRICANTS, FRONT AXLE	SYNTHETIC FRONT AXLE LUBRICANT	0	0
S	XAXBFX	STEERING GEAR RATIO	TRW THP60 INTEGRAL POWER STEERING GEAR	0	0
S	M0XB1X	STEERING SHAFT TYPE	GREASEABLE STEERING SHAFT	-2	0
S	371071	FRONT SUSPENSION PACKAGE	PARABOLIC LEAF FRONT SUSPENSION	78	0
S	IRXA1X	FRONT SUSP MAINTENANCE	LUBRICATED SPRING PINS AND BUSHINGS	0	0

				WEIGHT (LB)	
REAR AXLE		DESCRIPTION		FRONT	REAR
S	330684	REAR AXLE PACKAGE	MERITOR MT-40-14X4D HYPOID (HEAVY DUTY HOUSING) 40,000 LB CAPACITY	0	0
	TAXDPX	REAR AXLE RATIO	3.08 REAR AXLE RATIO	0	0
S	TUXB1X	DIFFERENTIAL LOCK	INTERAXLE DIFFERENTIAL LOCK	0	0
S	350377	REAR SUSPENSION PACKAGE	40,000 LB VOLVO T-RIDE (2-LEAF FIRM RIDE) 54" SPACING	0	510
S	YVXA1X	REAR SHOCK ABSORBER	SHOCK ABSORBERS, DRIVE AXLES	0	102
S	783022	REAR BRAKE PACKAGE	REAR BRAKE BENDIX SPICER, NEXT GENERATION HEAVY DUTY, STANDARD LUBE	0	0
S	U8XA1X	REAR, BRAKE DIMENSION (DRIVE)	16.5X7 REAR BRAKE SIZE	0	0
S	U4XA1X	BRAKE, DRIVE, REAR	CAST IRON DRIVE AXLE BRAKE DRUM OUTBOARD MOUNTED	0	0
S	UEXA1X	DRIVE AXLE BRAKE DUST SHIELD	REAR BRAKE DUST SHIELDS	0	0
S	MAXACX	BRAKE LINING MATERIAL DRIVE	BRAKE LINING MATERIAL DRIVE, BENDIX SPICER BX415	0	0
S	J8EA1X	BRAKE SHOE COATING DRIVE	BRAKE SHOE COATING DRIVE, BASIC	0	0
S	0LXI5X	HUB MATERIAL, DRIVE	IRON PRESET PLUS DRIVE AXLE HUB WITH INTEGRATED SPINDLE NUT	0	0
S	7WXADX	LUBRICANTS, REAR AXLE	CHEVRON DELO GEAR LUBRICANT ESI SAE 80W-90 (APPROVED FOR MERITOR EXTENDED COMPONENT WARRANTY)	0	0
S	781056	PARKING BRAKE CHAMBER PACKAGE	FOUR CAM TYPE HALDEX	0	0
S	V1AB1X	REAR BRAKE CHAMBER SIZE	REAR BRAKE CHAMBER 30 / 30 SQ INCHES (SERVICE / EMERGENCY)	0	0
S	UKXA1X	BRAKE CYLINDER STROKE LENGTH	BASIC LENGTH BRAKE CHAMBER STROKE	0	0
S	784009	FRONT AND REAR SLACK ADJUSTERS	HALDEX BRAKE ADJUSTER FRONT AND REAR	0	0
S	O5BD1X	FRONT BRAKE CHAMBER SIZE	FRONT BRAKE CHAMBER 24 SQUARE INCHES (SERVICE)	0	0

				WEIGHT (LB)	
CHASSIS		DESCRIPTION		FRONT	REAR
S	3XB3AX	DRIVER SIDE FRONT CHASSIS CONFIGURATION	LEFT HAND BATTERY BOX - 3 CAPACITY, DEF TANK MOUNTED BEHIND BATTERY BOX (VHDF)	0	0
S	3YBADX	PASSENGER SIDE FRONT CHASSIS CONFIGURATION	INTEGRATED DPF & SCR (VHDF / VAH)	0	0
S	400185	WHEELBASE	185" WHEELBASE	294	292

				WEIGHT (LB)	
CHASSIS	DESCRIPTION			FRONT	REAR
S	402055	OVERHANG	55" OVERHANG	0	175
S	KBXB1X	FUEL TANK SHAPE, LIQUID	26" DIA CYLINDRICAL FUEL TANK	0	0
S	J8XB1X	LIQUID FUEL TANK, LEFTHAND SIDE	75 GALLON LEFT HAND FUEL TANK	0	0
S	KEXA1X	FUEL TANK MATERIAL, LIQUID	ALUMINUM FUEL TANK MATERIAL	0	0
S	HBXB1X	FUEL TANK POSITION - DIESEL	FUEL TANK POSITION 1	0	0
S	427998	HYDRAULIC OIL TANK PACKAGE	NO HYDRAULIC OIL TANK PROVIDED	0	0
S	8NAA1X	DPF COVER	DPF COVER, PAINTED STEEL	0	0
S	U6BA1X	DEF TANK COVER	PAINTED DIESEL EXHAUST FLUID TANK COVER	0	0
S	JHXA1X	FUEL HOSES, LIQUID	NYLON FUEL LINES	0	0
S	KHXA1X	FUEL TANK STRAPS MTRL	PAINTED STEEL FUEL TANK STRAPS	0	0
S	KFXA1X	FUEL TANK CAP	NON-LOCKING FUEL TANK CAP	0	0
S	8HAA1X	AIR TANK ARRANGEMENT	AIR TANK ARRANGEMENT, BASIC	0	0
S	U2XB1X	AIRTANK MATERIAL	STEEL AIR TANKS	0	0
S	VHXE5X	AIR DRYER - MANUFACTURER	WABCO AIR DRYER SS - HP WITHOUT TURBO CUT OFF VALVE WITH COALESCING FILTER	0	0
S	UWXB1X	AIRTANK DRAIN VALVE	MANUAL PULL CORD ON BRAKE SYSTEM TANKS	0	0
S	403005	FRAME RAIL PACKAGE	11.81"X3.54"X.31" STRAIGHT STEEL RAILS	0	0
S	8EXB1X	INTERMEDIATE X-MEMBER MATRL	STEEL CROSSMEMBER MATERIAL	0	0
S	OAXA1X	INTERMEDIATE X-MBR CONFIG	BASIC INTERMEDIATE CROSSMEMBER	0	0
S	X6XB1X	REAR FRAME TREATMENT	TAPERED REAR CROSSMEMBER, 27 DEGREE	0	23
S	4DXE3X	FRONT BUMPER	STEEL CONSTRUCTION BUMPER-THREE PIECE	0	0
S	FRXA1X	BUMPER POSITION	BUMPER MOUNTED STANDARD POSITION	0	0
S	65XB1X	FRONT MUDGUARD EXTENSION	NO FRONT FENDER EXTENSION PROVIDED	0	0
	4EXZ1X	TOWING DEVICE, FRONT	NO FRONT TOWING DEVICE PROVIDED	-22	7
S	Q8CH1X	CHASSIS WIRING HARNESS CASING	HEAVY DUTY MAIN CHASSIS WIRING HARNESS COVERING	0	0
S	U7CFCX	LH FUEL TANK FACE LOCATION	LH FUEL TANK FRONT FACE @ XM=4325	0	0

				WEIGHT (LB)	
TRANSPORT ADAPTATION	DESCRIPTION			FRONT	REAR
	490357	FIFTH WHEEL PACKAGE	JOST LIGHTWEIGHT STATIONARY LEFT HAND RELEASE	27	274
S	E5BAVX	GROUND TO 5TH WHEEL TOP HGT.	50.5" FIFTH WHEEL HEIGHT	0	0
S	6BX54X	FIFTH WHEEL POSITION	27" BEHIND FORWARD DRIVE AXLE CENTER (-685MM)	0	0
S	LIXA1X	FIFTH WHEEL ANGLE MATERIAL	STEEL FIFTH WHEEL ANGLES	0	0
S	51XA1X	TRAILER BRAKE HOSEHANGER	DUMMY GLADHANDS AND CABLE STORAGE BRACKET LEFT HAND BACK OF CAB REACHABLE FROM GROUND	0	0
S	WHXD1X	TRAILER CONNECTION POSITION	CAB MOUNTED TRAILER BRAKE CONNECTION	0	0
S	52XA1X	TRAILER ELECTR. CABLE	FIXED TRAILER CABLE	0	0
S	5ZXB1X	TRAILER BRAKE HOSES & CABLES	12' COILED TRAILER BRAKE HOSES AND CABLE	0	0
S	WLXC1X	TRAILER BRAKE CONTROL	DELETE TRAILER BRAKE HAND CONTROL	0	0
S	6WXA1X	CENTER CONTROLE CONSOLE	MOUNTING PLATE ONLY FOR BODY CONTROLS	0	0
S	L3XA1X	BODY BUILDER ELECTRICAL PREP	ELECTRICAL PREP KIT, BASIC, FOR BODY BUILDER - DOES NOT INCLUDE BBM ECU	0	9

					WEIGHT (LB)	
CALCULATED CODES - KAX			DESCRIPTION		FRONT	REAR
S	9JXA1X	PROPCALC SELECTION	YES, THE ORDER MUST BE	CALCULATED	0	0

					WEIGHT (LB)	
CAB EXTERIOR			DESCRIPTION		FRONT	REAR
S	2DX30X	CAB SUSPENSION REAR	AIR RIDE CAB SUSPENSION WITH LATERAL DAMPENERS		-11	-2
S	21XA1X	AUXILIARY REAR WINDOW	STANDARD REAR WINDOW		0	0
S	D2XA1X	WIPER BLADE STYLE	WIPER BLADES		0	0
S	28XC3X	FRONT GRILLE	BLACK STATIONARY FRONT GRILLE		0	0
S	0EAC1X	AIR INTAKE GRILLE, FINISH	AIR INTAKE GRILLE, BLACK		0	0
S	LZXD1X	AUX. HORN	DUAL TRUMPET MOUNTED UNDER CAB		0	0
S	3FX49X	EXTERIOR MIRROR	BLACK AERODYNAMIC MIRRORS		0	0
S	3GXC1X	EXTERIOR MIRROR FEATURES	HEATED, POWER AXIS MIRROR, BOTH SIDES		3	0
	4NXZ1X	SUNVISOR, EXTERIOR	NO EXTERIOR SUN VISOR PROVIDED		-13	0

					WEIGHT (LB)	
CAB INTERIOR			DESCRIPTION		FRONT	REAR
S	540088	INTERIOR TRIM PACKAGE	FLEET - VINYL PANELS WITH METAL HEX TRIM		0	0
S	1DAF1X	SEAT MFG. AND SERIES, DRIVER	NATIONAL DRIVER SEAT		0	0
S	I5DA1X	SEAT PROFILE, DRIVER	STANDARD WIDTH DRIVER SEAT		0	0
S	520101	DRIVER SEAT	X1 WREN VINYL		0	0
S	3ZXG2X	DRIVER SEAT SUPPORT	DRIVER SEAT - AIR SUSPENDED		0	0
S	I7DA1X	SEAT COMFORT, DRIVER	DRIVER SEAT - ONE AIR ADJUSTABLE LUMBAR CHAMBER		0	0
S	1GAF1X	SEAT MFG. & SERIES, PASSENGER	NATIONAL PASSENGER SEAT		0	0
S	I6DA1X	SEAT PROFILE, PASSENGER	STANDARD WIDTH PASSENGER SEAT		0	0
S	521101	PASSENGER SEAT	X1 WREN VINYL		0	0
S	34XAAX	PASSENGER SEAT SUPPORT	PASSENGER SEAT - FIXED WITH INTEGRATED STORAGE		0	0
S	0HAA1X	SEAT SUPPORT, DUST COVER	SEAT BASE DUST COVER, DRIVER SIDE		0	0
S	K7AA1X	SEAT BELT SIZE	STANDARD SAFETY BELT LENGTH		0	0
S	OUXA1X	SAFETY BELT DRIVER SEAT	SEAT BELT DRIVER SEAT BLAC		0	0
S	OXXA1X	SAFETY BELT PASSENGER SEAT	SAFETY BELT PASSENGER SEAT BLAC		0	0
S	4AXB1X	CLIMATE UNIT	INTEGRAL AIR CONDITIONER WITH HEATER - MANUAL CONTROLS		0	0
S	31XK2X	FLOOR MATS	FRONT FLOOR INSERTS, RUBBER		0	0
	4JXZ1X	RADIO SHELF	NO DRIVER OVERHEAD STORAGE PROVIDED		-8	-2
S	XRXB1X	STEERING WHEEL ADJUSTMENT	STANDARD STEERING WHEEL ADJUSTMENT		0	0
S	7BAA3X	STEERING WHEEL MATERIAL	STANDARD STEERING WHEEL COVERING		0	0
S	571021	GAUGE PACKAGE	TEN GAUGE INSTRUMENT CLUSTER		0	0
S	9NDB1X	TRIP METER	TRIP METER, TWO TRIPS		0	0
S	PVXA2X	AIR RESTRICTION INDICATOR	GRADUATED ARI ON FILTER		0	0
S	N8XD1X	SPEEDOM. GRADUATION	MPH SPEEDOMETER GRADUATION		0	0

				WEIGHT (LB)	
LIGHTING		DESCRIPTION		FRONT	REAR
S	836004	HEADLAMPS	LED HEADLAMPS WITH SIGNATURE DRL	0	0
S	LSXG1X	LOW BEAM	EQUIPPED WITH DAYTIME RUNNING LIGHTS	0	0
	NEXC1X	TAIL LAMPS	DUAL WITH INTEGRAL BACKUP LIGHTS	0	0
	NPXA1X	TURN SIGNALS	NON CANCELLING TURN SIGNAL SWITCH	0	0

				WEIGHT (LB)	
AUDIO SYSTEM		DESCRIPTION		FRONT	REAR
	590030	RADIO PACKAGE	AM / FM / MP3 RADIO	0	0
	73AJ5X	RADIO ANTENNA	SINGLE RIGHT HAND MIRROR MOUNTED RADIO ANTENNA PREP KIT	0	0
S	LYXF1X	STEERING WHEEL SWITCHES	WITH STEERING WHEEL SWITCHES	3	0
S	N0XA1X	INTERRUPTER SWITCH, ROOFLAMPS	MARKER INTERRUPTER SWITCH	0	0
S	5CXA1X	SPEAKER LOCATION	SPEAKERS IN DASH ONLY	0	0
	5JXZ1X	COM.RADIO PREP KIT (CB)	NO CB RADIO MOUNTING PROVIDED	-2	0
	5BXZ1X	ANTENNA, CB RADIO	NO CB ANTENNA PROVIDED	-2	0

				WEIGHT (LB)	
MISC CAB EQUIPMENT		DESCRIPTION		FRONT	REAR
S	2XX35X	WINDOW LIFT	POWER WINDOW LIFT BOTH DOORS	7	5
S	3AXB1X	DOOR LOCK CAB	MANUAL CAB DOOR LOCKS	0	0
S	20XA1X	KEY TYPES FOR DOORS	BASIC UNIQUE KEY	0	0
S	8BXB1X	KEY QUANTITY PER TRUCK	4 KEYS PROVIDED PER UNIT	0	0

				WEIGHT (LB)	
TIRES AND WHEELS FRONT		DESCRIPTION		FRONT	REAR
	093303	TIRE PACKAGE FRONT	315/80R22.5L BRIDGESTONE M843 (18180 LBS. GAWR) ON/OFF ROAD USAGE (Total for QTY = 2)	327	0
S	4WCC1X	TIRE CLASSIFICATION FRONT (CA)	GHG FRONT TIRE CLASSIFICATION, LOW ROLLING RESISTANCE	0	0
S	084562	RIM/WHEEL PACKAGE FRONT	22.5X9.00 ACCURIDE STEEL POWDER COAT WHITE 286BC 5 HAND HOLES HUB PILOTED (Total for QTY = 2)	208	0
S	907002	FRONT WHEEL AND TIRE QUANTITY	TWO FRONT WHEELS AND TIRES	0	0

				WEIGHT (LB)	
TIRES AND WHEELS REAR		DESCRIPTION		FRONT	REAR
S	094736	TIRE PACKAGE REAR	11R22.5G BRIDGESTONE R268 (23360 LBS. GAWR) REGIONAL HAUL (STEER/ALL POSITION) (Total for QTY = 8)	0	971
S	4XCC1X	TIRE CLASSIFICATION REAR (CA)	GHG REAR TIRE CLASSIFICATION, LOW ROLLING RESISTANCE	0	0
S	085069	RIM/WHEEL PACKAGE REAR	22.5X8.25 ACCURIDE STEEL POWDER COAT WHITE 286BC 5 HAND HOLES HUB PILOTED (Total for QTY = 8)	0	547
S	908008	DRIVE WHEEL AND TIRE QUANTITY	EIGHT DRIVE WHEELS AND TIRES	0	0

				WEIGHT (LB)	
MISC TIRE EQUIPMENT		DESCRIPTION		FRONT	REAR
S	15XABX	TIRE INFLATION VALVE	TIRE INFLATION VALVE, STANDARD	0	0

PAINT	DESCRIPTION	WEIGHT (LB)	
		FRONT	REAR
S 950800	CAB PAINT SCHEME SINGLE COLOR PAINT	0	0
S 9801T4	FIRST TRUCK COLOR GLACIER WHITE; P3029	0	0
S MPB980	CAB COLOR CAB SAME AS FIRST COLOR	0	0
S MPD980	HOOD COLOR HOOD SAME AS FIRST COLOR	0	0
S MPE980	COWL COLOR COWL SAME AS FIRST COLOR	0	0
987998	BUMPER COLOR UNPAINTED BUMPER / POWDER COAT / NO BUMPER COLOR PROVIDED	0	0
996998	SUN VISOR COLOR NO SUN VISOR COLOR PROVIDED	0	0
S 9861U1	CHASSIS COLOR BLACK P3036	0	0
S 988401	DISC WHEEL OR RIM COLOR STEEL DISC WHEELS - PREPAINTED WHITE, POWDER - COAT, ALUMINUM OR STYLIZED DISC - UNPAINTED	0	0

BUSINESS SERVICES	DESCRIPTION	WEIGHT (LB)	
		FRONT	REAR
S 9LAA1X	PRE-DELIVERY INSPECTION PRE-DELIVERY INSPECTION, BASIC	0	0

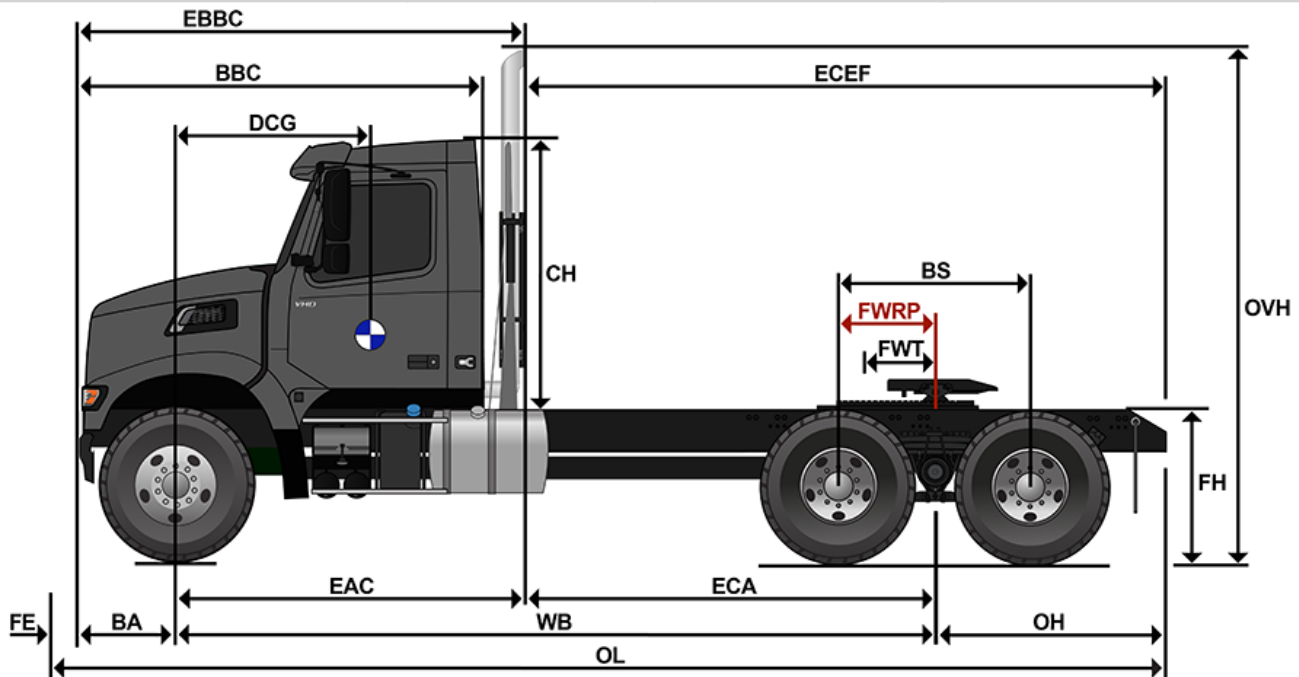
OUTSIDE MODIFICATION PLANNING	DESCRIPTION	WEIGHT (LB)	
		FRONT	REAR
S 615998	FONTAINE IN-SERVICE PLANNING CODE NO FONTAINE IN-SERVICE PLANNING CODE	0	0
S 618998	FONTAINE AUXILIARY AXLE INSTALL CODE NO FONTAINE AUXILIARY INSTALL	0	0
S 609998	FONTAINE LEAD TIME CODE NO FONTAINE LEAD TIME	0	0

BASE WARRANTY AND PURCHASED COVERAGES	DESCRIPTION	WEIGHT (LB)	
		FRONT	REAR
S 899302	CHASSIS COVERAGE HEAVY_DUTY_STANDARD_BASE_COVERAGE 12_MONTHS / 100,000_MILES	0	0
S 896900	VOLVO D11/D13 ENGINE EXTENDED COVERAGE VOLVO D11/D13 BASE ENGINE COVERAGE - 24MTHS/250K MILES	0	0
S M99998	CUSTOM/BUNDLED PURCHASE COVERAGE OPTIONS NO CUSTOM/BUNDLED PURCHASE COVERAGE OPTIONS PROVIDED	0	0
S 875001	VEHICLE EMISSIONS COMPONENTS COVERAGE US & CANADA VOLVO ENGINE EQUIPPED VEHICLE EMISSIONS COMPONENTS COVERAGE_60 MONTHS/100K_MILES	0	0
880009	TRANSMISSION COVERAGE 36 MTHS: EATON FULLER STANDARD DUTY WARRANTY FOR ALL MANUAL AND AUTOMATED TRANSMISSIONS, ANY TORQUES	0	0
S 685998	CLUTCH COVERAGE NO CLUTCH COVERAGE PROVIDED	0	0
S 888900	ADDITIONAL EXTENDED CHASSIS TOWING COVERAGE BASE CHASSIS TOWING COVERAGE, 90 DAY/5000 MILE/8050 KILOMETER	0	0
S 874900	ADDITIONAL EXTENDED ENGINE TOWING COVERAGE BASE VOLVO ENGINE TOWING COVERAGE, 24 MO/250K MILE	0	0
S 959998	NEW PAINT DEVELOPMENT FEE NO NEW PAINT DEVELOPMENT FEE	0	0
S 866011	REMOTE DIAGNOSTICS BUNDLE REMOTE DIAGNOSTICS WITH REMOTE PROGRAMMING - 24 MONTHS	0	0
S 9YDA1X	REMOTE PROGRAMMING DRIVER DISPLAY ACTIVATION NOTIFICATION REMOTE PROGRAMMING NOTIFICATION TO DRIVER, START UP SCREEN & ICON	0	0
S 867001	UPTIME CENTER BUNDLE ASIST AND VOLVO ACTION SERVICE - 24 MONTHS	0	0
S 862010	PREPAID API WITHOUT PREPAID API	0	0

FRONT / REAR AXLE WEIGHTS (LB) 8455 8158
TOTAL WEIGHT (LB) 16612

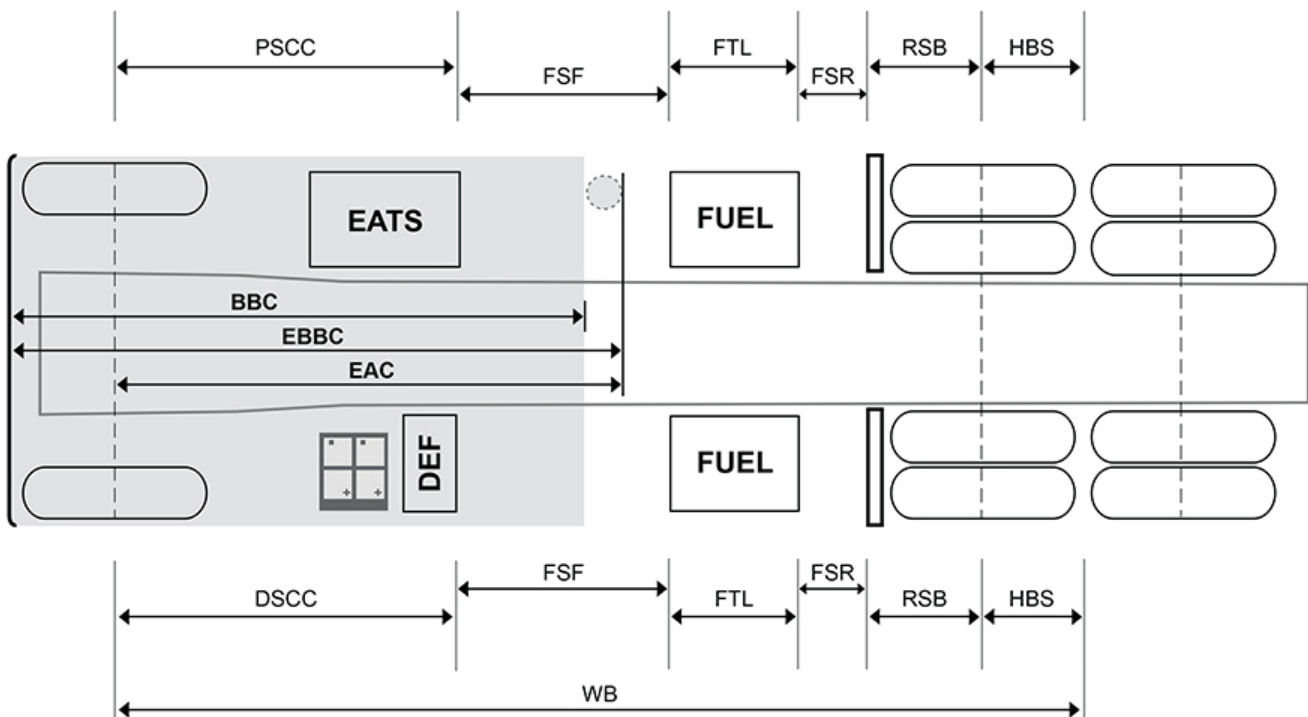
VEHICLE SPECIFICATION/CALCULATED PERFORMANCE SUMMARY

Description	Sales Code	Dwg Ref	Length	UOM
Front Frame Extension	N/A	FE	0.0	INCHES
Bumper to Front Axle	N/A	BA	29.1	INCHES
Wheelbase	N/A	WB	184.9	INCHES
Rear Overhang	N/A	OH	55.5	INCHES
Overall Length	N/A	OL	269.5	INCHES
Bumper to Back of Cab	N/A	BBC	113.6	INCHES
Eff. Bumper to Back of Cab	N/A	EBBC	121.6	INCHES
Eff. Cab to Rear Axle	N/A	ECA	92.4	INCHES
Eff. Front Axle to Back of Cab	N/A	EAC	92.5	INCHES
Eff. Cab to End of Frame	N/A	ECEF	147.9	INCHES
Unladen 5th Wheel Height	E5BAVX	5W	50.5	INCHES
Unladen Frame Height	N/A	FH	42.4	INCHES
Cab Height	N/A	CH	74.3	INCHES
Overall Height	N/A	OVH	149.8	INCHES
Driver CG	N/A	DCG	64.5	INCHES
Second Front Axle Spacing		SFAS	0.0	INCHES



VEHICLE SPECIFICATION/CALCULATED PERFORMANCE SUMMARY

Description	Sales Code	Dwg Ref	Left Value(in)	Right Value(in)
Wheelbase	N/A	WB	184.9	184.9
Bumper to Back of Cab	N/A	BBC	113.6	113.6
Eff. Bumper to Back of Cab	N/A	EBBC	121.6	121.6
Eff. Front Axle to Back of Cab	N/A	EAC	92.5	92.5
LEFT HAND BATTERY BOX - 3 CAPACITY, DEF TANK MOUNTED BEHIND BATTERY BOX (VHDF)	3XB3AX	DSCC	75.0	N/A
INTEGRATED DPF & SCR (VHDF / VAH)	3YBADX	PSCC	N/A	85.4
Frame Space Front	N/A	FSF	1.6	0.0
75 GALLON LEFT HAND FUEL TANK / NO RIGHT HAND DIESEL TANK PROVIDED	J8XB1X / J9XK1X	FTL	36.0	0.0
Frame Space Rear	N/A	FSR	16.3	43.4
40,000 LB VOLVO T-RIDE (2-LEAF FIRM RIDE) 54" SPACING	350377	RSB	29.0	29.0
HBS	GWXDGX	HBS	27.0	27.0



Top View image is intended for illustration purposes only and is not presented to scale. Wheelbase, Axle Spacing and After frame are not shown as specified, but are a representation. Customer Adaptation (CA) options and relocated components are not represented in these images. Most CA options impact the variation of the image, thus an image may not populate. Calculations are approximate to a tolerance of ± 4 inches due to component mounting variation. Certain chassis component options are NOT represented in the Top View image, such as, but not exclusive to, Front Frame Extensions, Fuel Water Separators, Air Dryers, PTOs, Fifth Wheels, Chassis Fairings, Toolboxes, Trailer Connections. For further information on these items and their respective locations on your specification, please refer to the data sheets associated with those items in the configurator.