



TECHNICAL SPECIFICATION

VHD42F300 Daycab

				WEIGHT (LB)	
MODEL PACKAGE			DESCRIPTION	FRONT	REAR
S	012144	MARKETING MODEL	VHD42F300	0	0
S	007144	MODEL	VHD42F300	6,806	3,400
S	99X76X	ASSEMBLY PLANT	VOLVO TRUCKS - ASSEMBLED IN THE USA	0	0

				WEIGHT (LB)	
VEHICLE ADAPTATION			DESCRIPTION	FRONT	REAR
S	114010	MARKET ADAPTATION	USA / USA TERRITORY MARKET ADAPTATION	0	0
S	36XF1X	LANGUAGE ON DECALS	ENGLISH/SPANISH LANGUAGE ON DECALS	0	0
S	38XCNX	FIRST PUBLICATION LANGUAGE	ENGLISH	0	0
S	125001	AREA/DOMICILE (EXHAUST)	49 STATE + CANADA / NON CALIFORNIA	0	0
S	263206	VEHICLE APPLICATION	TRUCK / ASPHALT OR DUMP BODY	0	0
S	2KEZ1X	TRAILER TYPE	WITHOUT TRAILER TYPE	0	0
S	2MCA1X	VEHICLE GHG CERTIFICATION	GREEN HOUSE GAS COMPLETE VEHICLE CERTIFICATION	0	0
S	3GCB1X	GHG APPLICATION, VEHICLE	GREEN HOUSE GAS VOCATIONAL APPLICATION	0	0
S	898003	VEHICLE WARRANTY QUALIFICATION	STANDARD HEAVY DUTY WARRANTY QUALIFIED	0	0
S	259003	VEHICLE VOCATION	CONSTRUCTION SERVICE	0	0
S	P1CZ1X	LOAD HANDLING EQ. CRANE	WITHOUT LOAD HANDLING EQUIPMENT, CRANE	0	0
S	P3CZ1X	LOAD HANDLING AND MISC. EQUIPM	WITHOUT MISCELLANEOUS LOAD HANDLING EQUIPMENT	0	0
S	260006	OPERATING TERRAIN GRADE CONDITIONS	ON HIGHWAY, STARTING GRADES <16%	0	0
S	QCXA1X	TOPOGRAPHY	MOSTLY FLAT, MOST GRADES <3% (EX. OHIO)	0	0
S	E1BD1X	AMBIENT TEMPERATURE UPPER LIMIT	SUMMER AMBIENT TEMPERATURES DO NOT REGULARLY EXCEED 104 DEGREE F (40 DEGREE C)	0	0
S	264001	LOADING SURFACE FACTOR	CONCRETE LOADING AND / OR UNLOADING SURFACE	0	0
S	DHX20X	ROAD CONDITION	OPERATING CLASS TWO (ON/OFF HIGHWAY)	0	0
	938001	CUSTOMER FLEET SIZE	DEALER FLEET WITH LESS THAN 25 VEHICLES IN OWN FLEET OF ANY VEHICLE BRAND	0	0

				WEIGHT (LB)	
PASSIVE AND ACTIVE SAFETY		DESCRIPTION		FRONT	REAR
	2CXD1X	CAB VERSION	DAY CAB	0	0
	DUXZ1X	AIRBAG	NO AIR BAG PROVIDED	-2	0
S	2PEZ1X	DATA CAPTURE	WITHOUT DATA CAPTURE	0	0
S	3MBA1X	PARK BRAKE ALARM	PARK BRAKE ALARM, SOUNDS IF BRAKE OFF AND DRIVER'S DOOR OPENED	0	0

				WEIGHT (LB)	
ENGINE		DESCRIPTION		FRONT	REAR
S	1017V0	ENGINE PACKAGE	VOLVO D11 325HP 2100RPM 1250 LBFT - EPA'17 EMISSION LEVEL	0	0

				WEIGHT (LB)	
ENGINE EQUIPMENT		DESCRIPTION		FRONT	REAR
S	KWXA1X	AIR CLEANER TYPE	SINGLE STAGE AIR CLEANER	0	0
S	JWXD1X	AIR INTAKE	HOOD MOUNTED AIR INTAKE	0	0
S	H9XM1X	RADIATOR TYPE	930 SQ IN, 2 ROW CORE RADIATOR	0	0
S	209012	RADIATOR COOLANT	EXTENDED LIFE ETHYLENE GLYCOL ANTI-FREEZE (RED), -34 F (-37 C)	0	0
S	208029	FAN CLUTCH PACKAGE	ELECTRONIC VISCOUS CSI FAN CLUTCH	0	0
S	NCXA5X	STARTER MOTOR	DELCO REMY 12V 39MTHD STARTER	0	0
	PJXMLX	ALTERNATOR CAPACITY	145 AMP DELCO REMY 24SI PAD MOUNT ALTERNATOR (12V)	0	0
S	810111	BATTERY PACKAGE	2 VOLVO 1000 CCA MAINTENANCE FREE 12V BATTERIES, 2000 CCA	0	0
S	L4X16X	BATTERY BOX MOUNTING	BATTERY BOX, LEFT HAND SIDE, BEHIND FRONT FENDER	0	0
S	NQXB1X	BATTERY BOX CONFIGURATION	BATTERY BOX - 3 CAPACITY	0	0
S	L5XA1X	BATTERY BOX COVER	BASIC BATTERY BOX COVER	0	0
	NFXZ1X	MAIN SWITCH	NO BATTERY DISCONNECT SWITCH PROVIDED	-2	0
S	428001	DIESEL EXHAUST FLUID TANK	18.5 GALLON LEFT HAND 26", FRAME MOUNTED (FILLED WITH 10 GALLONS OF DEF, WEIGHING 91 LBS)	159	86
	230046	EXHAUST SYSTEM	INTEGRATED DPF AND SCR MOUNTED RIGHT HAND SIDE UNDER CAB WITH SINGLE VERTICAL STACK BACK OF CAB	0	0
	232079	EXHAUST OUTLET PACKAGE	12' 6" ALUMINIZED STAINLESS STEEL SINGLE STACK	0	0
	K0XC1X	EXHAUST STACK FEATURES	STRAIGHT END EXHAUST STACK	0	0
S	KNXC1X	EXHAUST HEAT SHIELD	ALUMINUM EXHAUST SHIELD	0	0
S	JVXH1X	PRIMARY FUEL FILTER	VOLVO DUAL ENGINE MOUNTED FUEL FILTERS WITH WATER SEPARATOR	0	0
S	MBXA1X	PRIMARY FUEL FILTER POSITION (CA)	STANDARD FUEL FILTER LOCATION	0	0
S	VWXCAX	COMPRESSOR CAPACITY	WABCO 31.8 CFM COMPRESSOR	0	0
S	J2EAAX	ENGINE BRAKE ACTIVATION	ENGINE BRAKE ACTIVATION, BASIC	0	0
S	QHXC1X	OIL SUMP	STAMPED STEEL OIL PAN (STANDARD OIL CHANGE INTERVALS)	0	0

				WEIGHT (LB)	
TRANSMISSION		DESCRIPTION		FRONT	REAR
	270743	TRANSMISSION PACKAGE	EATON 13 SPEED FULLER RTLO-16913A	98	34
	RVXA1X	GEAR SHIFT CONTROL	FIXED GEAR SHIFT LEVER	0	0
S	779998	ALLISON INPUT AND OUTPUT PACKAGE	NO ALLISON INPUT AND OUTPUT PACKAGE	0	0
S	778998	FUEL SENSE PACKAGE	NO FUEL SENSE PACKAGE	0	0
	T2XC3X	TRANSMISSION/RETARDER COOLER	WATER TO OIL TRANS COOLER IN RADIATOR	0	0

				WEIGHT (LB)	
TRANSMISSION		DESCRIPTION		FRONT	REAR
S	195213	DRIVELINE - MAIN	DANA/SPICER SPL250 LITE (PROPS-L)	0	0
S	THXC5X	PROPELLER SHAFT MANUFACTURER	PROP. SHAFT MANUF. BY SPICER SPL LIGHT SERIES	82	82
	250090	CLUTCH	EATON 15.5" 2 PLATE CERAMETALLIC ADVANTAGE SELF-ADJUST 9-SPRING, 4 PAD - 1650 LB-FT CAPACITY	0	0
	RBXA1X	CLUTCH LUBE LINE	LUBE LINE BETWEEN RELEASE BEARING AND BELL HOUSING	0	0

				WEIGHT (LB)	
PROGRAMMABLE FEATURES		DESCRIPTION		FRONT	REAR
S	9KAB1X	IDLE EMISSION CERTIFICATION	IDLE EMISSION CERTIFICATION, CARB 08	0	0
S	Y7BB1X	IDLE EMISSION LABEL LOCATION	CAB MOUNTED CARB 08 DECAL LOCATION	0	0
S	A3AAAX	IDLE SHUTDOWN	ENGINE IDLE SHUTDOWN, ENABLE	0	0
S	E0XFLX	ENGINE IDLE SHUTDOWN TIME	IDLE SHUTDOWN TIME 5 MINUTES	0	0
S	K7XA1X	ENGINE IDLE CONTROL	BASIC ENGINE IDLE CONTROL	0	0
S	D3AAEX	AMBIENT TEMP MAX TRESHOLD	MAXIMUM AMBIENT AIR TEMPERATURE OVER-RIDE, 80 DEG F (27 DEG C)	0	0
S	D2AACX	AMBIENT TEMP MIN TRESHOLD	MINIMUM AMBIENT AIR TEMPERATURE OVER-RIDE, 45 DEG F (7 DEG C)	0	0
S	JDXD1X	CRUISE CONTROL	WITH ECO CRUISE CONTROL	0	0
S	JFXLRX	CRUISE CONTROL, MAX SPEED	MAXIMUM CRUISE, 68 MPH (110 KM/H)	0	0
S	Y3CC5X	PEDAL RSL SETTING	PEDAL ROAD SPEED LIMIT, 65 MPH (105 KM/H)	0	0
S	JCXF1X	ROAD SPEED LIMITER SETTING	ROAD SPEED LIMIT, 68 MPH (110 KM/H)	0	0
S	U4AA1X	LOW GEAR LIMITING FEATURE	GEAR DOWN VEHICLE SPEED LIMITER ENABLED	0	0
S	U5AL1X	LOW GEAR LIMITING SPEED	GEAR DOWN VEHICLE SPEED, 63 MPH (101 KM/H)	0	0
S	E3AAEX	CRUISE CONTROL MIN SPEED	MIN CRUISE, 30 MPH (48 KM/H)	0	0
S	E5AAEX	ENG BRK ENGAGE IN CRUISE	ENGAGE ENGINE BRAKE 5 MPH (8.0 KM/H) ABOVE SET CRUISE SPEED	0	0
S	X2BA1X	ROAD SPEED LIMIT CONTROL TYPE	WITH ECO RSL CONTROL	0	0
S	0NAA1X	OPTIMIZED FUEL ECON INDICATOR	OPTIMIZED FUEL ECONOMY INDICATOR, SWEET SPOT	0	0
S	X1BA1X	ENGINE LOAD IN PTO	30% MINIMUM ENGINE LOAD LIMIT IN PTO BEFORE ALLOW IDLE SHUTDOWN	0	0
S	W5BE1X	MAXIMUM ENG SPEED AT 0 MPH	1400 MAXIMUM ENGINE RPM AT 0 MPH	0	0
S	X4BA1X	COOLANT WARM HOLD TEMP	COOLANT WARM HOLD TEMP ENABLED	0	0
S	R4BA1X	PRE-TRIP DIAGNOSTIC INSPECTION	PRE-TRIP ASSISTANT	0	0
S	0RAD1X	REGENERATION CONTROLS, DPF	DPF REGEN CONTROL, AUTO REGEN IN MOTION, MANUAL PARKED REGEN, MANUAL INHIBIT	0	0
S	K5XA2X	ENGINE PROTECTION SYSTEM	ENGINE PROTECTION (SHUTDOWN)	0	0
S	EXXGSX	PTO MAX ENGINE SET SPEED	PTO ENGINE MAXIMUM 700 RPM	0	0
S	EYXGSX	PTO RESUME ENGINE SET SPEED	PTO ENGINE RESUME 700 RPM	0	0

				WEIGHT (LB)	
FRONT AXLE		DESCRIPTION		FRONT	REAR
S	370403	FRONT AXLE PACKAGE	VOLVO VF14 14,600 LB FRONT SPRINGS	20	0
S	70BB1X	BRAKE REGULATION	BRAKE REGULATION, STOPPING DISTANCE 310 FT (94M)	0	0
S	782014	FRONT BRAKE PACKAGE	FRONT BRAKE BENDIX SPICER, NEXT GENERATION HEAVY DUTY, STANDARD LUBE	42	0

				WEIGHT (LB)	
FRONT AXLE		DESCRIPTION		FRONT	REAR
S	U5XA1X	FRONT, BRAKE DIMENSION	16.5X5 FRONT BRAKE SIZE	0	0
S	U3XA1X	BRAKE, FRONT	CAST IRON FRONT BRAKE DRUM OUTBOARD MOUNTED	0	0
S	LQXAQX	BRAKE LINING MATERIAL FRONT	BRAKE LINING MATERIAL FRONT, BENDIX SPICER ES420	0	0
S	K2EA1X	BRAKE SHOE COATING FRONT	BRAKE SHOE COATING FRONT, BASIC	0	0
S	UDXA1X	FRONT AXLE BRAKE DUST SHIELD	FRONT BRAKE DUST SHIELDS	0	0
S	0KXI5X	HUB MATERIAL, FRONT	IRON PRESET PLUS FRONT AXLE HUBS WITH SKF HUBCAPS	0	0
S	7VXB1X	LUBRICANTS, FRONT AXLE	SYNTHETIC FRONT AXLE LUBRICANT	0	0
S	XAXBFX	STEERING GEAR RATIO	TRW THP60 INTEGRAL POWER STEERING GEAR	0	0
S	M0XB1X	STEERING SHAFT TYPE	GREASEABLE STEERING SHAFT	-2	0
S	371071	FRONT SUSPENSION PACKAGE	PARABOLIC LEAF FRONT SUSPENSION	78	0
S	IRXA1X	FRONT SUSP MAINTENANCE	LUBRICATED SPRING PINS AND BUSHINGS	0	0

				WEIGHT (LB)	
REAR AXLE		DESCRIPTION		FRONT	REAR
S	330145	REAR AXLE PACKAGE	MERITOR RS23-160 23,000 LB CAPACITY	0	-8
S	TAXC7X	REAR AXLE RATIO	2.93 REAR AXLE RATIO	0	0
S	350003	REAR SUSPENSION PACKAGE	22,500 LB MULTI-LEAF SPRING SUSPENSION	0	245
S	783022	REAR BRAKE PACKAGE	REAR BRAKE BENDIX SPICER, NEXT GENERATION HEAVY DUTY, STANDARD LUBE	0	0
S	U8XA1X	REAR, BRAKE DIMENSION (DRIVE)	16.5X7 REAR BRAKE SIZE	0	0
S	U4XA1X	BRAKE, DRIVE, REAR	CAST IRON DRIVE AXLE BRAKE DRUM OUTBOARD MOUNTED	0	0
S	UEXA1X	DRIVE AXLE BRAKE DUST SHIELD	REAR BRAKE DUST SHIELDS	0	0
S	MAXF1X	BRAKE LINING MATERIAL DRIVE	BRAKE LINING MATERIAL DRIVE, BENDIX SPICER ES-600	0	0
S	J8EA1X	BRAKE SHOE COATING DRIVE	BRAKE SHOE COATING DRIVE, BASIC	0	0
S	0LXI5X	HUB MATERIAL, DRIVE	IRON PRESET PLUS DRIVE AXLE HUB WITH INTEGRATED SPINDLE NUT	0	0
S	7WXADX	LUBRICANTS, REAR AXLE	CHEVRON DELO GEAR LUBRICANT ESI SAE 80W-90 (APPROVED FOR MERITOR EXTENDED COMPONENT WARRANTY)	0	0
S	781055	PARKING BRAKE CHAMBER PACKAGE	TWO CAM TYPE HALDEX	0	0
S	V1AB1X	REAR BRAKE CHAMBER SIZE	REAR BRAKE CHAMBER 30 / 30 SQ INCHES (SERVICE / EMERGENCY)	0	0
S	UKXA1X	BRAKE CYLINDER STROKE LENGTH	BASIC LENGTH BRAKE CHAMBER STROKE	0	0
S	784009	FRONT AND REAR SLACK ADJUSTERS	HALDEX BRAKE ADJUSTER FRONT AND REAR	0	0
S	O5BD1X	FRONT BRAKE CHAMBER SIZE	FRONT BRAKE CHAMBER 24 SQUARE INCHES (SERVICE)	0	0

				WEIGHT (LB)	
CHASSIS		DESCRIPTION		FRONT	REAR
S	3XB3AX	DRIVER SIDE FRONT CHASSIS CONFIGURATION	LEFT HAND BATTERY BOX - 3 CAPACITY, DEF TANK MOUNTED BEHIND BATTERY BOX (VHDF)	0	0
	3YBADX	PASSENGER SIDE FRONT CHASSIS CONFIGURATION	INTEGRATED DPF & SCR (VHDF / VAH)	0	0
	400158	WHEELBASE	158" WHEELBASE	250	250
S	402084	OVERHANG	84" OVERHANG	0	267
S	KBXB1X	FUEL TANK SHAPE, LIQUID	26" DIA CYLINDRICAL FUEL TANK	0	0
S	J8XB1X	LIQUID FUEL TANK, LEFTHAND SIDE	75 GALLON LEFT HAND FUEL TANK	0	0
S	KEXA1X	FUEL TANK MATERIAL, LIQUID	ALUMINUM FUEL TANK MATERIAL	0	0
S	HBXB1X	FUEL TANK POSITION - DIESEL	FUEL TANK POSITION 1	0	0

				WEIGHT (LB)	
CHASSIS	DESCRIPTION			FRONT	REAR
S	427998	HYDRAULIC OIL TANK PACKAGE	NO HYDRAULIC OIL TANK PROVIDED	0	0
S	8NAA1X	DPF COVER	DPF COVER, PAINTED STEEL	0	0
S	U6BA1X	DEF TANK COVER	PAINTED DIESEL EXHAUST FLUID TANK COVER	0	0
S	JHXA1X	FUEL HOSES, LIQUID	NYLON FUEL LINES	0	0
S	KHXA1X	FUEL TANK STRAPS MTRL	PAINTED STEEL FUEL TANK STRAPS	0	0
S	KFXA1X	FUEL TANK CAP	NON-LOCKING FUEL TANK CAP	0	0
S	8HAA1X	AIR TANK ARRANGEMENT	AIR TANK ARRANGEMENT, BASIC	0	0
S	U2XB1X	AIRTANK MATERIAL	STEEL AIR TANKS	0	0
S	VHXE5X	AIR DRYER - MANUFACTURER	WABCO AIR DRYER SS - HP WITHOUT TURBO CUT OFF VALVE WITH COALESCING FILTER	0	0
S	UWXB1X	AIRTANK DRAIN VALVE	MANUAL PULL CORD ON BRAKE SYSTEM TANKS	0	0
S	403005	FRAME RAIL PACKAGE	11.81"X3.54"X.31" STRAIGHT STEEL RAILS	0	0
S	8EXB1X	INTERMEDIATE X-MEMBER MATRL	STEEL CROSSMEMBER MATERIAL	0	0
S	OAXA1X	INTERMEDIATE X-MBR CONFIG	BASIC INTERMEDIATE CROSSMEMBER	0	0
S	X6XA1X	REAR FRAME TREATMENT	STRAIGHT CUT-OFF REAR CROSSMEMBER	0	38
S	4DXE3X	FRONT BUMPER	STEEL CONSTRUCTION BUMPER-THREE PIECE	0	0
S	FRXA1X	BUMPER POSITION	BUMPER MOUNTED STANDARD POSITION	0	0
S	65XB1X	FRONT MUDGUARD EXTENSION	NO FRONT FENDER EXTENSION PROVIDED	0	0
S	4EXB1X	TOWING DEVICE, FRONT	TWO FRONT TOWING DEVICES	0	0
S	Q8CH1X	CHASSIS WIRING HARNESS CASING	HEAVY DUTY MAIN CHASSIS WIRING HARNESS COVERING	0	0
S	U7CFCX	LH FUEL TANK FACE LOCATION	LH FUEL TANK FRONT FACE @ XM=4325	0	0

				WEIGHT (LB)	
TRANSPORT ADAPTATION	DESCRIPTION			FRONT	REAR
S	WLXC1X	TRAILER BRAKE CONTROL	DELETE TRAILER BRAKE HAND CONTROL	0	0
S	6WXA1X	CENTER CONTROLE CONSOLE	MOUNTING PLATE ONLY FOR BODY CONTROLS	0	0
S	L3XC1X	BODY BUILDER ELECTRICAL PREP	ELECTRICAL COMPLETE KIT FOR BODY BUILDER AND/OR I-SHIFT PTO'S	0	0

				WEIGHT (LB)	
CALCULATED CODES - KAX	DESCRIPTION			FRONT	REAR
S	9JXA1X	PROPCALC SELECTION	YES, THE ORDER MUST BE CALCULATED	0	0

				WEIGHT (LB)	
CAB EXTERIOR	DESCRIPTION			FRONT	REAR
S	2DX30X	CAB SUSPENSION REAR	AIR RIDE CAB SUSPENSION WITH LATERAL DAMPENERS	-11	-2
S	21XA1X	AUXILIARY REAR WINDOW	STANDARD REAR WINDOW	0	0
S	D2XA1X	WIPER BLADE STYLE	WIPER BLADES	0	0
S	28XC3X	FRONT GRILLE	BLACK STATIONARY FRONT GRILLE	0	0
S	0EAC1X	AIR INTAKE GRILLE, FINISH	AIR INTAKE GRILLE, BLACK	0	0
S	LZXD1X	AUX. HORN	DUAL TRUMPET MOUNTED UNDER CAB	0	0
S	3FX49X	EXTERIOR MIRROR	BLACK AERODYNAMIC MIRRORS	0	0
S	3GXC1X	EXTERIOR MIRROR FEATURES	HEATED, POWER AXIS MIRROR, BOTH SIDES	3	0
	4NXZ1X	SUNVISOR, EXTERIOR	NO EXTERIOR SUN VISOR PROVIDED	-13	0

				WEIGHT (LB)	
CAB INTERIOR		DESCRIPTION		FRONT	REAR
S	540088	INTERIOR TRIM PACKAGE	FLEET - VINYL PANELS WITH METAL HEX TRIM	0	0
S	1DAF1X	SEAT MFG. AND SERIES, DRIVER	NATIONAL DRIVER SEAT	0	0
S	15DA1X	SEAT PROFILE, DRIVER	STANDARD WIDTH DRIVER SEAT	0	0
S	520101	DRIVER SEAT	X1 WREN VINYL	0	0
S	3ZXG2X	DRIVER SEAT SUPPORT	DRIVER SEAT - AIR SUSPENDED	0	0
S	17DA1X	SEAT COMFORT, DRIVER	DRIVER SEAT - ONE AIR ADJUSTABLE LUMBAR CHAMBER	0	0
S	1GAF1X	SEAT MFG. & SERIES, PASSENGER	NATIONAL PASSENGER SEAT	0	0
S	16DA1X	SEAT PROFILE, PASSENGER	STANDARD WIDTH PASSENGER SEAT	0	0
S	521101	PASSENGER SEAT	X1 WREN VINYL	0	0
S	34XAAX	PASSENGER SEAT SUPPORT	PASSENGER SEAT - FIXED WITH INTEGRATED STORAGE	0	0
S	0HAA1X	SEAT SUPPORT, DUST COVER	SEAT BASE DUST COVER, DRIVER SIDE	0	0
S	K7AA1X	SEAT BELT SIZE	STANDARD SAFETY BELT LENGTH	0	0
S	OUXA1X	SAFETY BELT DRIVER SEAT	SEAT BELT DRIVER SEAT BLAC	0	0
S	OXXA1X	SAFETY BELT PASSENGER SEAT	SAFETY BELT PASSENGER SEAT BLAC	0	0
S	4AXB1X	CLIMATE UNIT	INTEGRAL AIR CONDITIONER WITH HEATER - MANUAL CONTROLS	0	0
S	31XK2X	FLOOR MATS	FRONT FLOOR INSERTS, RUBBER	0	0
	4JXC1X	RADIO SHELF	NETTED OVERHEAD STORAGE (DRIVER / PASSENGER SIDES)	0	-2
S	XRXB1X	STEERING WHEEL ADJUSTMENT	STANDARD STEERING WHEEL ADJUSTMENT	0	0
S	7BAA3X	STEERING WHEEL MATERIAL	STANDARD STEERING WHEEL COVERING	0	0
S	571020	GAUGE PACKAGE	EIGHT GAUGE INSTRUMENT CLUSTER	0	0
S	9NDB1X	TRIP METER	TRIP METER, TWO TRIPS	0	0
S	PVXA2X	AIR RESTRICTION INDICATOR	GRADUATED ARI ON FILTER	0	0
S	N8XD1X	SPEEDOM. GRADUATION	MPH SPEEDOMETER GRADUATION	0	0

				WEIGHT (LB)	
LIGHTING		DESCRIPTION		FRONT	REAR
S	836004	HEADLAMPS	LED HEADLAMPS WITH SIGNATURE DRL	0	0
S	LSXG1X	LOW BEAM	EQUIPPED WITH DAYTIME RUNNING LIGHTS	0	0
S	NEXC1X	TAIL LAMPS	DUAL WITH INTEGRAL BACKUP LIGHTS	0	0
S	NPXB1X	TURN SIGNALS	SELF CANCELLING TURN SIGNAL SWITCH	0	0

				WEIGHT (LB)	
AUDIO SYSTEM		DESCRIPTION		FRONT	REAR
S	590031	RADIO PACKAGE	AM / FM / MP3 / USB / BLUETOOTH RADIO	0	0
	73AJ5X	RADIO ANTENNA	SINGLE RIGHT HAND MIRROR MOUNTED RADIO ANTENNA PREP KIT	0	0
S	LYXF1X	STEERING WHEEL SWITCHES	WITH STEERING WHEEL SWITCHES	3	0
S	N0XA1X	INTERRUPTER SWITCH, ROOFLAMPS	MARKER INTERRUPTER SWITCH	0	0
S	5CXA1X	SPEAKER LOCATION	SPEAKERS IN DASH ONLY	0	0
	5JXZ1X	COM.RADIO PREP KIT (CB)	NO CB RADIO MOUNTING PROVIDED	-2	0
	5BXZ1X	ANTENNA, CB RADIO	NO CB ANTENNA PROVIDED	-2	0

				WEIGHT (LB)	
MISC CAB EQUIPMENT		DESCRIPTION		FRONT	REAR
S	2XX35X	WINDOW LIFT	POWER WINDOW LIFT BOTH DOORS	7	5
S	3AXB1X	DOOR LOCK CAB	MANUAL CAB DOOR LOCKS	0	0
S	20XA1X	KEY TYPES FOR DOORS	BASIC UNIQUE KEY	0	0
S	8BxB1X	KEY QUANTITY PER TRUCK	4 KEYS PROVIDED PER UNIT	0	0

				WEIGHT (LB)	
TIRES AND WHEELS FRONT		DESCRIPTION		FRONT	REAR
S	093871	TIRE PACKAGE FRONT	315/80R22.5L BRIDGESTONE M870 (20000 LBS. GAWR) ON/OFF ROAD USAGE (Total for QTY = 2)	336	0
S	4WCC1X	TIRE CLASSIFICATION FRONT (CA)	GHG FRONT TIRE CLASSIFICATION, LOW ROLLING RESISTANCE	0	0
S	084562	RIM/WHEEL PACKAGE FRONT	22.5X9.00 ACCURIDE STEEL POWDER COAT WHITE 286BC 5 HAND HOLES HUB PILOTED (Total for QTY = 2)	208	0
S	907002	FRONT WHEEL AND TIRE QUANTITY	TWO FRONT WHEELS AND TIRES	0	0

				WEIGHT (LB)	
TIRES AND WHEELS REAR		DESCRIPTION		FRONT	REAR
S	094736	TIRE PACKAGE REAR	11R22.5G BRIDGESTONE R268 (23360 LBS. GAWR) REGIONAL HAUL (STEER/ALL POSITION) (Total for QTY = 4)	0	486
S	4XCC1X	TIRE CLASSIFICATION REAR (CA)	GHG REAR TIRE CLASSIFICATION, LOW ROLLING RESISTANCE	0	0
S	085069	RIM/WHEEL PACKAGE REAR	22.5X8.25 ACCURIDE STEEL POWDER COAT WHITE 286BC 5 HAND HOLES HUB PILOTED (Total for QTY = 4)	0	274
S	908004	DRIVE WHEEL AND TIRE QUANTITY	FOUR DRIVE WHEELS AND TIRES	0	0

				WEIGHT (LB)	
MISC TIRE EQUIPMENT		DESCRIPTION		FRONT	REAR
S	15XABX	TIRE INFLATION VALVE	TIRE INFLATION VALVE, STANDARD	0	0

				WEIGHT (LB)	
PAINT		DESCRIPTION		FRONT	REAR
S	950800	CAB PAINT SCHEME	SINGLE COLOR PAINT	0	0
S	9801T4	FIRST TRUCK COLOR	GLACIER WHITE; P3029	0	0
S	MPB980	CAB COLOR	CAB SAME AS FIRST COLOR	0	0
S	MPD980	HOOD COLOR	HOOD SAME AS FIRST COLOR	0	0
S	MPE980	COWL COLOR	COWL SAME AS FIRST COLOR	0	0
	987998	BUMPER COLOR	UNPAINTED BUMPER / POWDER COAT / NO BUMPER COLOR PROVIDED	0	0
	996998	SUN VISOR COLOR	NO SUN VISOR COLOR PROVIDED	0	0
S	9861U1	CHASSIS COLOR	BLACK P3036	0	0
S	988401	DISC WHEEL OR RIM COLOR	STEEL DISC WHEELS - PREPAINTED WHITE, POWDER - COAT, ALUMINUM OR STYLIZED DISC - UNPAINTED	0	0

				WEIGHT (LB)	
BUSINESS SERVICES		DESCRIPTION		FRONT	REAR
S	9LAA1X	PRE-DELIVERY INSPECTION	PRE-DELIVERY INSPECTION, BASIC	0	0

			WEIGHT (LB)	
OUTSIDE MODIFICATION PLANNING	DESCRIPTION		FRONT	REAR
S	615998	FONTAINE IN-SERVICE PLANNING CODE	NO FONTAINE IN-SERVICE PLANNING CODE	0 0
S	617998	FONTAINE BODY INSTALL CODE	NO FONTAINE BODY INSTALL	0 0
S	618998	FONTAINE AUXILIARY AXLE INSTALL CODE	NO FONTAINE AUXILIARY INSTALL	0 0
S	609998	FONTAINE LEAD TIME CODE	NO FONTAINE LEAD TIME	0 0

			WEIGHT (LB)	
BASE WARRANTY AND PURCHASED COVERAGES	DESCRIPTION		FRONT	REAR
S	899302	CHASSIS COVERAGE	HEAVY_DUTY_STANDARD_BASE_COVERAGE 12_MONTHS / 100,000_MILES	0 0
S	896900	VOLVO D11/D13 ENGINE EXTENDED COVERAGE	VOLVO D11/D13 BASE ENGINE COVERAGE - 24MTHS/250K MILES	0 0
S	M99998	CUSTOM/BUNDLED PURCHASE COVERAGE OPTIONS	NO CUSTOM/BUNDLED PURCHASE COVERAGE OPTIONS PROVIDED	0 0
S	875001	VEHICLE EMISSIONS COMPONENTS COVERAGE	US & CANADA VOLVO ENGINE EQUIPPED VEHICLE EMISSIONS COMPONENTS COVERAGE_60 MONTHS/100K_MILES	0 0
	880009	TRANSMISSION COVERAGE	36 MTHS: EATON FULLER STANDARD DUTY WARRANTY FOR ALL MANUAL AND AUTOMATED TRANSMISSIONS, ANY TORQUES	0 0
S	685998	CLUTCH COVERAGE	NO CLUTCH COVERAGE PROVIDED	0 0
S	888900	ADDITIONAL EXTENDED CHASSIS TOWING COVERAGE	BASE CHASSIS TOWING COVERAGE, 90 DAY/5000 MILE/8050 KILOMETER	0 0
S	874900	ADDITIONAL EXTENDED ENGINE TOWING COVERAGE	BASE VOLVO ENGINE TOWING COVERAGE, 24 MO/250K MILE	0 0
S	959998	NEW PAINT DEVELOPMENT FEE	NO NEW PAINT DEVELOPMENT FEE	0 0
S	866011	REMOTE DIAGNOSTICS BUNDLE	REMOTE DIAGNOSTICS WITH REMOTE PROGRAMMING - 24 MONTHS	0 0
S	9YDA1X	REMOTE PROGRAMMING DRIVER DISPLAY ACTIVATION NOTIFICATION	REMOTE PROGRAMMING NOTIFICATION TO DRIVER, START UP SCREEN & ICON	0 0
S	867001	UPTIME CENTER BUNDLE	ASIST AND VOLVO ACTION SERVICE - 24 MONTHS	0 0
S	862010	PREPAID API	WITHOUT PREPAID API	0 0

FRONT / REAR AXLE WEIGHTS (LB)

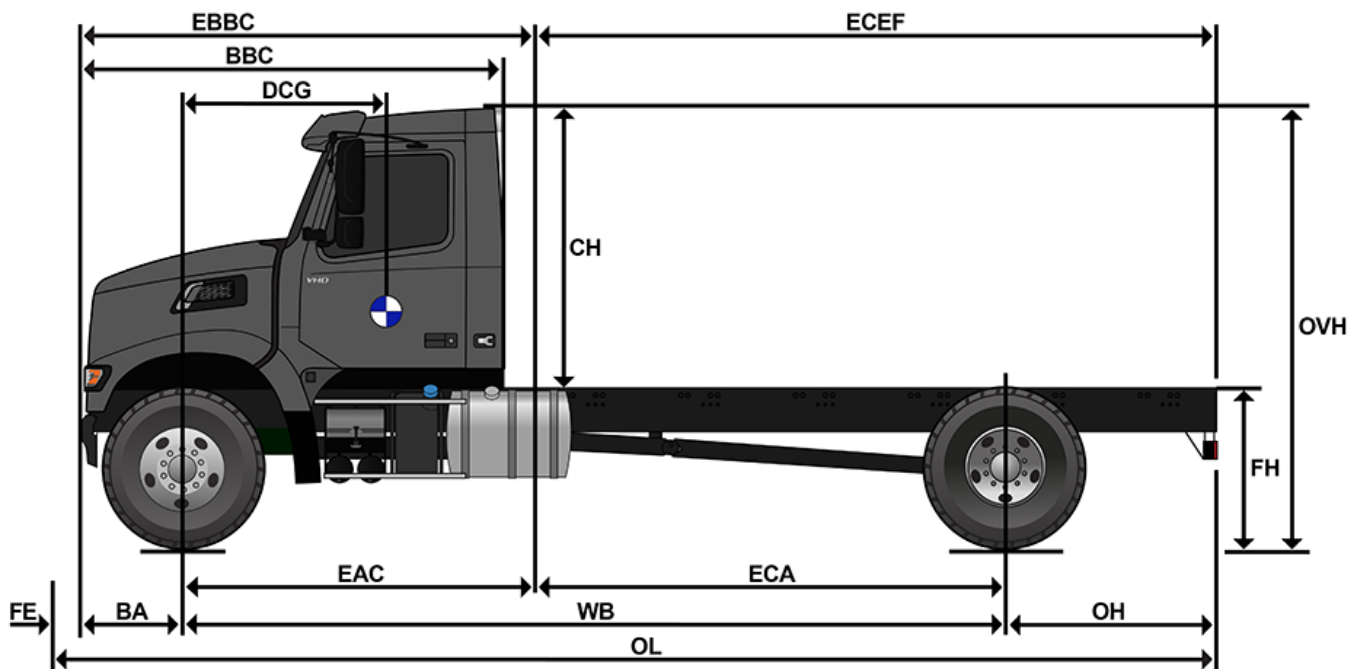
8050 5148

TOTAL WEIGHT (LB)

13197

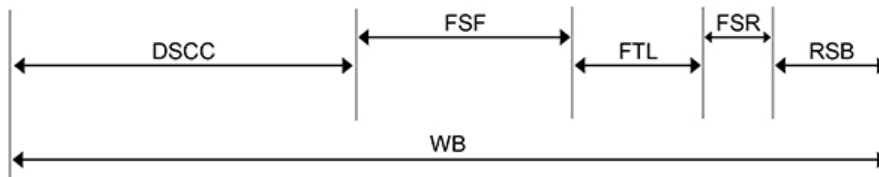
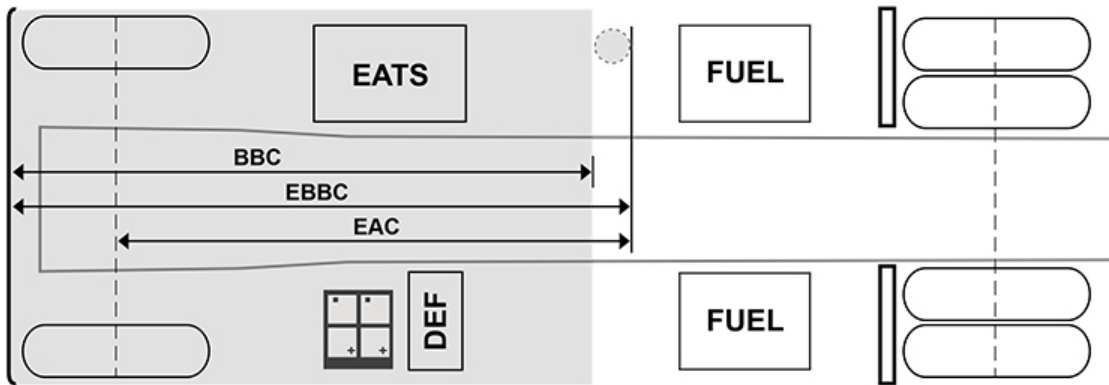
VEHICLE SPECIFICATION/CALCULATED PERFORMANCE SUMMARY

Description	Sales Code	Dwg Ref	Length	UOM
Front Frame Extension	N/A	FE	0.0	INCHES
Bumper to Front Axle	N/A	BA	29.1	INCHES
Wheelbase	N/A	WB	157.9	INCHES
Rear Overhang	N/A	OH	84.4	INCHES
Overall Length	N/A	OL	271.4	INCHES
Bumper to Back of Cab	N/A	BBC	113.6	INCHES
Eff. Bumper to Back of Cab	N/A	EBBC	121.6	INCHES
Eff. Cab to Rear Axle	N/A	ECA	65.4	INCHES
Eff. Front Axle to Back of Cab	N/A	EAC	92.5	INCHES
Eff. Cab to End of Frame	N/A	ECEF	149.8	INCHES
Unladen 5th Wheel Height	E5BZ1X	5W	0.0	INCHES
Unladen Frame Height	N/A	FH	43.3	INCHES
Cab Height	N/A	CH	74.3	INCHES
Overall Height	N/A	OVH	150.7	INCHES
Driver CG	N/A	DCG	64.5	INCHES
Second Front Axle Spacing		SFAS	0.0	INCHES



VEHICLE SPECIFICATION/CALCULATED PERFORMANCE SUMMARY

Description	Sales Code	Dwg Ref	Left Value(in)	Right Value(in)
Wheelbase	N/A	WB	157.9	157.9
Bumper to Back of Cab	N/A	BBC	113.6	113.6
Eff. Bumper to Back of Cab	N/A	EBBC	121.6	121.6
Eff. Front Axle to Back of Cab	N/A	EAC	92.5	92.5
LEFT HAND BATTERY BOX - 3 CAPACITY, DEF TANK MOUNTED BEHIND BATTERY BOX (VHDF)	3XB3AX	DSCC	75.0	N/A
INTEGRATED DPF & SCR (VHDF / VAH)	3YBADX	PSCC	N/A	85.4
Frame Space Front	N/A	FSF	1.6	0.0
75 GALLON LEFT HAND FUEL TANK / NO RIGHT HAND DIESEL TANK PROVIDED	J8XB1X / J9XK1X	FTL	36.0	0.0
Frame Space Rear	N/A	FSR	12.8	39.9
22,500 LB MULTI-LEAF SPRING SUSPENSION	350003	RSB	32.5	32.5



Top View image is intended for illustration purposes only and is not presented to scale. Wheelbase, Axle Spacing and After frame are not shown as specified, but are a representation. Customer Adaptation (CA) options and relocated components are not represented in these images. Most CA options impact the variation of the image, thus an image may not populate. Calculations are approximate to a tolerance of ± 4 inches due to component mounting variation. Certain chassis component options are NOT represented in the Top View image, such as, but not exclusive to, Front Frame Extensions, Fuel Water Separators, Air Dryers, PTOs, Fifth Wheels, Chassis Fairings, Toolboxes, Trailer Connections. For further information on these items and their respective locations on your specification, please refer to the data sheets associated with those items in the configurator.