



TECHNICAL SPECIFICATION

MD6 42R

| | | | WEIGHT (LB) | |
|----------------------|--------|----------------|-------------|------|
| APPLICATION PACKAGES | | DESCRIPTION | FRONT | REAR |
| S | GSXC1X | CHASSIS HEIGHT | 0 | 0 |
| | | DOCK HEIGHT | | |

| | | | WEIGHT (LB) | |
|-----------------------|--------|---------------------------------|-------------|------|
| CUSTOMER/VEHICLE INFO | | DESCRIPTION | FRONT | REAR |
| S | 002GH2 | CHASSIS (BASE MODEL) | 2,095 | 552 |
| S | 99XE1X | ASSEMBLY PLANT | 0 | 0 |
| | 0051P5 | VEHICLE USE & BODY/TRAILER TYPE | 0 | 0 |
| | 0341A2 | VEHICLE VOCATION | 0 | 0 |
| S | MP2001 | CUSTOMER FLEET SIZE | 0 | 0 |
| S | 013001 | TYPE OF SERVICE | 0 | 0 |
| S | M98018 | WARRANTY REGISTRATION LOCATION | 0 | 0 |
| S | 505015 | INITIAL REGISTRATION LOCATION | 0 | 0 |
| S | 534014 | LANGUAGE-PUBS/DECAL/SIGNS | 0 | 0 |
| S | 032A99 | TERRAIN GRADE | 0 | 0 |
| S | 033A20 | LOADING SURFACE | 0 | 0 |
| | A19079 | VEHICLE MODEL YEAR | 0 | 0 |

| | | | WEIGHT (LB) | |
|-----------------------|--------|--------------------------------|-------------|------|
| ENGINE & TRANSMISSION | | DESCRIPTION | FRONT | REAR |
| S | 1003G0 | ENGINE PACKAGE, COMBUSTION | 1,597 | -39 |
| S | 1361P6 | TRANSMISSION | 305 | 91 |
| S | E7EA1X | FUELSENSE CALIBRATION | 0 | 0 |
| S | B1EC1X | TRANSM AUTO NEUTRAL ON P-BRAKE | 0 | 0 |

| | | | | WEIGHT (LB) | |
|---------------------------------|--------|------------------------|---|-------------|------|
| ENGINE & TRANSMISSION EQUIPMENT | | DESCRIPTION | | FRONT | REAR |
| | HTXB2X | ENGINE BRAKE TYPE | ENGINE BRAKE | 0 | 0 |
| | JDXA1X | CRUISE CONTROL | CRUISE CONTROL | 0 | 0 |
| S | 132AB5 | ALTERNATOR | DELCO 12V 145A (24SI) BRUSH-TYPE | 0 | 0 |
| S | NCXD1X | STARTER MOTOR | 12 VOLT MELCO STARTER (MITSUBISHI ELECTRIC) | 0 | 0 |
| S | 5NXZ1X | ENGINE BLOCK HEATER | WITHOUT ENGINE BLOCK HEATER | 0 | 0 |
| S | TYXZ1X | POWER TAKE OFF CONTROL | WITHOUT POWER TAKE OFF CONTROL | 0 | 0 |

| | | | | WEIGHT (LB) | |
|-------------------|--------|-----------------------------|--|-------------|-------|
| AXLE & SUSPENSION | | DESCRIPTION | | FRONT | REAR |
| S | 2400R0 | FRONT AXLE | 10,000LB MERITOR MFS+ 4500 KG | 1,158 | 0 |
| S | 2440B4 | SPRINGS - FRONT | MACK TAPERLEAF 10000# (4500 KG) GROUND LOAD RATING | 0 | 0 |
| S | 2410A1 | FRONT AXLE BRAKES | MERITOR "S" CAM TYPE 16.5" x 5" Q+ | 0 | 0 |
| S | 2520I2 | REAR AXLE - SINGLE | 17000# (7711 kg) MERITOR MS-17-13X, (W/O DIFF LOCK) CASING 9.5mm | 0 | 1,098 |
| S | 260AP0 | REAR SUSPENSION - SINGLE | 17500# (7711kg) MULTILEAF | 0 | 466 |
| | ZAX99X | SUSPENSION LEVELLING DEVICE | WITHOUT SUSPENSION LEVELLING DEVICE | 0 | 0 |
| S | 253AA4 | BRAKES - REAR | MERITOR "S" CAM 16.5"x7" Q+ | 0 | 0 |
| S | TAXNFX | REAR AXLE RATIO | RATIO 5.57, REAR AXLE | 0 | 0 |

| | | | | WEIGHT (LB) | |
|-------------------|--------|-------------------------------|--|-------------|------|
| CHASSIS EQUIPMENT | | DESCRIPTION | | FRONT | REAR |
| S | 9KAB1X | IDLE EMISSION CERTIFICATION | IDLE EMISSION CERTIFICATION, CARB 08 | 0 | 0 |
| S | DPF05F | DPF DIESEL PARTICULATE FILTER | CUMMINS SINGLE MODULE E.A.T.S. RH SIDE UNDER CAB US17 (7L up to 270HP \ 9L up to 350HP only!!) | 64 | 73 |
| S | 130AA9 | EXHAUST | UNDERFRAME RIGHT SIDE INBOARD MOUNTED | 0 | 0 |
| S | L3XZ2X | BODY BUILDER MODULE | WITHOUT BODY BUILDER MODULE | 0 | 0 |
| S | M1XZ1X | ELECTRICAL RECEPT, AUX POWER | WITHOUT ELECTRICAL PREPARATION FOR LIFTGATE | 0 | 0 |

| | | | | WEIGHT (LB) | |
|------------------------------|--------|---------------------|---|-------------|------|
| FRAME EQUIPMENT & FUEL TANKS | | DESCRIPTION | | FRONT | REAR |
| | 271150 | WHEELBASE | 150" Wheelbase (87" CA) 50" After-frame | 322 | 419 |
| S | 274184 | FRAME RAILS | STEEL - 260MM X 70MM X 7MM -- (10.24" X 2.75" X 0.275"); RBM 1,370,000 LB-IN | 0 | 0 |
| S | JVXBAX | PRIMARY FUEL FILTER | FUEL FILTER & WATER SEPARATOR | 5 | 0 |
| S | 288AC2 | FUEL TANK - LH | 50 GALLON (190 L) 22" ALUMINUM ROUND | 115 | 56 |

| | | | | WEIGHT (LB) | |
|--------------|--------|---------------------------|--|-------------|------|
| CAB INTERIOR | | DESCRIPTION | | FRONT | REAR |
| S | 198048 | GAUGES - UNIT OF MEASURE | U.S. UNITS (PREDOMINANT) | 0 | 0 |
| S | 5RXZ1X | BACK-UP ALARM | WITHOUT BACK-UP ALARM | 0 | 0 |
| S | PVXA2X | AIR RESTRICTION INDICATOR | MECHANICAL, GRADUATED, ON FILTER | 0 | 0 |
| S | LSXH1X | DAYTIME RUNNING LIGHTS | DRL WHEN ENGINE RUNNING & PARK BRAKE OFF | 0 | 0 |
| S | 40XAKX | FIRE EXTINGUISHER | HAND FIRE EXTINGUISHER 1.1 KG (2.5LB) ENGLISH DECAL, ABC | 0 | 0 |
| | F8XAVX | AUDIO SYSTEM | RADIO, AM/FM, MP3, WEATHER BAND | 0 | 0 |

| | | | | WEIGHT (LB) | |
|--------------|--------|--------------------------------|--|-------------|------|
| CAB INTERIOR | | DESCRIPTION | | FRONT | REAR |
| S | 5EAA1X | AUDIO INTEGRAT. PHONE HANDSFRE | AUDIO INTEGRATED HANDSFREE PHONE, BLUETOOTH | 0 | 0 |
| S | 5FAA1X | AUDIO COMMUNICATION CONNECTOR | AUDIO COMMUNICATION CONNECTOR, USB AUDIO | 0 | 0 |
| S | D6XS1X | COMMUNICATION EQUIPMENT | FACTORY INSTALLED GEOTAB FLEET MANAGEMENT SYSTEM | 0 | 0 |
| S | 3ZXG2X | DRIVER SEAT SUPPORT | MACK DRIVERS SEAT, AIR SUSPENDED | 0 | 0 |
| S | U3CA1X | DRIVERS SEAT UPHOLSTERY | DRIVERS SEAT UPHOLSTERY, VINYL | 0 | 0 |
| S | 34XB1X | PASSENGER SEAT SUPPORT | FIXED PASSENGER SEAT | 29 | 0 |
| S | U4CA1X | PASSENGERS SEAT UPHOLSTRY | PASSENGERS SEAT UPHOLSTERY, VINYL | 0 | 0 |

| | | | | WEIGHT (LB) | |
|--------------|--------|--------------------------|--|-------------|------|
| CAB EXTERIOR | | DESCRIPTION | | FRONT | REAR |
| S | 1520H2 | MIRRORS - EXTERIOR | STANDARD MANUAL MIRROR BOTH SIDES, BLACK (Anthem mirror) | 27 | 0 |
| S | 3GXZ1X | EXTERIOR MIRROR FEATURES | STANDARD MIRROR | 25 | 0 |

| | | | | WEIGHT (LB) | |
|----------------|--------|----------------------------------|--|-------------|------|
| WHEELS & TIRES | | DESCRIPTION | | FRONT | REAR |
| S | 900AS0 | TIRES BRAND/TYPER - FRONT | 11R22.5 G BRIDGESTONE R268 ECOPIA (12350 lbs) (Total for QTY = 2) | 243 | 0 |
| | 4WCC1X | GHG STEER TIRE CATEGORY (PAWS) | GHG STEER TIRE CATEGORY, LOW ROLLING RESISTANCE | 0 | 0 |
| S | 5310Y1 | WHEELS - FRONT | 22.5x8.25 ACCURIDE, POWDER COATED WHITE STEEL DISC (Total for QTY = 2) | 128 | 0 |
| | FWT002 | FRONT AXLE TIRE & WHEEL QUANTITY | TWO FRONT TIRES & WHEELS | 0 | 0 |
| S | 901AX1 | TIRES BRAND/TYPER - REAR | 11R22.5 G BRIDGESTONE R268 ECOPIA (23360 lbs) (ALL POSITION) (Total for QTY = 4) | 0 | 486 |
| | 4XCC1X | GHG DRIVE TIRE CATEGORY (PAWS) | GHG DRIVE TIRE CATEGORY, LOW ROLLING RESISTANCE | 0 | 0 |
| S | 346176 | WHEELS - REAR | 22.5x8.25 ACCURIDE, POWDER COATED WHITE STEEL DISC (Total for QTY = 4) | 0 | 256 |
| | RWT004 | REAR AXLE TIRE & WHEEL QUANTITY | FOUR REAR AXLE TIRES & WHEELS | 0 | 0 |

| | | | | WEIGHT (LB) | |
|-------|--------|---------------------------|----------------------|-------------|------|
| PAINT | | DESCRIPTION | | FRONT | REAR |
| S | 944CQ2 | PAINT COLOR - FIRST COLOR | GLACIER WHITE; P3029 | 0 | 0 |

| | | | | WEIGHT (LB) | |
|-------------------------------------|--------|-----------------------------|---|-------------|------|
| BASE WARRANTY & PURCHASED COVERAGES | | DESCRIPTION | | FRONT | REAR |
| S | M58038 | ENGINE TOWING WARRANTY | CUMMINS ENGINES (Contact Cummins for Standard Warranty and Extended Coverage Details) | 0 | 0 |
| S | M70100 | MACK ONECALL BUNDLE | 12 MONTH - ASIST AND MACK ONECALL | 0 | 0 |
| S | 898002 | VEHICLE WARRANTY TYPE | NORMAL DUTY WARRANTY CLASSIFICATION | 0 | 0 |
| S | M50AQ7 | BASIC CHASSIS COVERAGE | CHASSIS PLAN 24 MO/UNLIMITED MI NORMAL DUTY PROTECTION PLAN | 0 | 0 |
| S | M51102 | ENGINE WARRANTY | CUMMINS ENGINES B6.7 (Contact Cummins for Standard Warranty and Extended Coverage Details) | 0 | 0 |
| S | M52032 | EMISSION COMPONENT COVERAGE | CUMMINS ENGINES (Contact Cummins for Standard Warranty and Extended Coverage Details) | 0 | 0 |
| S | M540B4 | TRANSMISSION WARRANTY | ALLISON TRANSMISSIONS (Contact Allison Transmission for standard warranty and extended coverage data) | 0 | 0 |
| S | M560V6 | AIR CONDITIONING WARRANTY | AIR CONDITIONING STANDARD COVERAGE (Sealed System Only) 24 MONTHS UNLIMITED MILEAGE | 0 | 0 |
| S | M57028 | CHASSIS TOWING WARRANTY | STANDARD CHASSIS TOWING 90 DAYS OR 5,000 MILES | 0 | 0 |

| | | | | WEIGHT (LB) | |
|-------------------------------------|--------|---------------------------|-----------------------------------|-------------|------|
| BASE WARRANTY & PURCHASED COVERAGES | | | DESCRIPTION | FRONT | REAR |
| S | M680F5 | PARTNERED SERVICES | GEOTAB FOR MACK TRUCKS - 12 MONTH | 0 | 0 |

FRONT / REAR AXLE WEIGHTS (LB)

6107

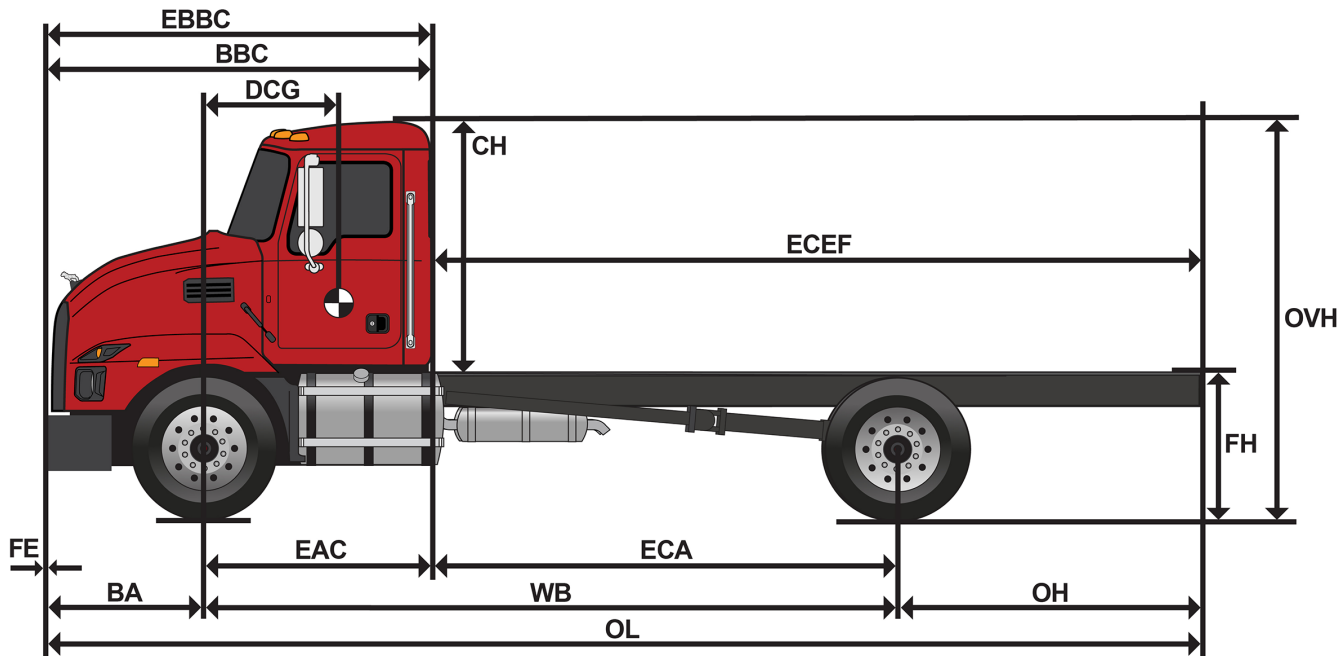
3453

TOTAL WEIGHT (LB)

9560

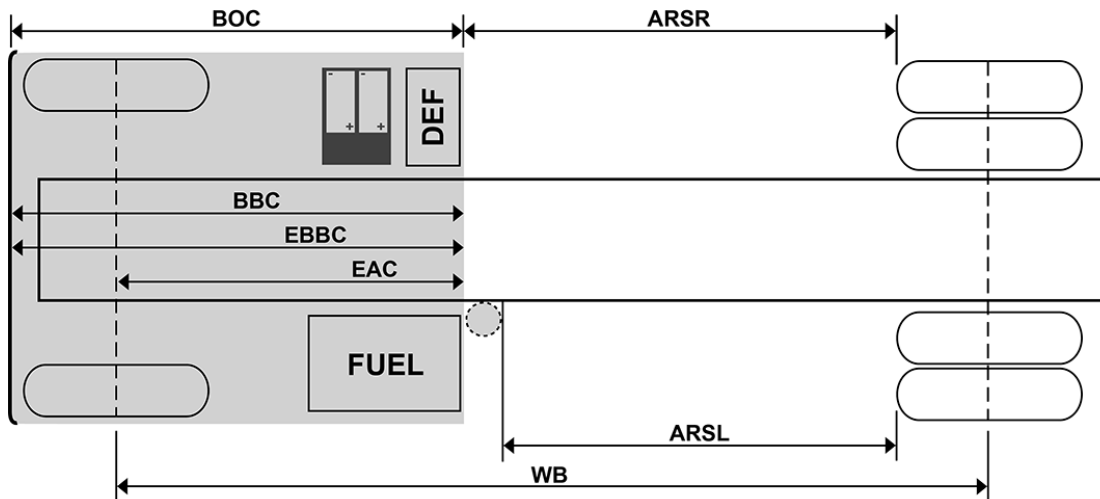
VEHICLE SPECIFICATION/CALCULATED PERFORMANCE SUMMARY

| Description | Sales Code | Dwg Ref | Length | UOM |
|--------------------------------|------------|---------|--------|--------|
| Front Frame Extension | N/A | FE | 0.0 | INCHES |
| Bumper to Front Axle | N/A | BA | 40.0 | INCHES |
| Wheelbase | N/A | WB | 150.2 | INCHES |
| Rear Overhang | N/A | OH | 50.0 | INCHES |
| Overall Length | N/A | OL | 240.2 | INCHES |
| Bumper to Back of Cab | N/A | BBC | 103.0 | INCHES |
| Eff. Bumper to Back of Cab | N/A | EBBC | 103.0 | INCHES |
| Eff. Cab to Rear Axle | N/A | ECA | 87.2 | INCHES |
| Eff. Front Axle to Back of Cab | N/A | EAC | 63.0 | INCHES |
| Eff. Cab to End of Frame | N/A | ECEF | 137.2 | INCHES |
| Unladen 5th Wheel Height | 001AA3 | 5W | 0.0 | INCHES |
| Unladen Frame Height | N/A | FH | 40.5 | INCHES |
| Cab Height | N/A | CH | 69.1 | INCHES |
| Overall Height | N/A | OVH | 109.6 | INCHES |
| Driver CG | N/A | DCG | 59.1 | INCHES |
| Second Front Axle Spacing | 001AA3 | SFAS | 0.0 | INCHES |



VEHICLE SPECIFICATION/CALCULATED PERFORMANCE SUMMARY

| Description | Sales Code | Dwg Ref | Left Value(in) | Right Value(in) |
|--|-----------------|---------|----------------|-----------------|
| Wheelbase | N/A | WB | 150.2 | 150.2 |
| Available Rail Space Right | N/A | ARSR | N/A | 68.5 |
| Available Rail Space Left | N/A | ARSL | 58.4 | N/A |
| Eff. Front Axle to Back of Cab | N/A | REF | 63.0 | 63.0 |
| Front Axle To Fender | 001AA3 | N/A | 30.0 | 30.0 |
| Battery Box | 001AA3 | N/A | 0.0 | 25.0 |
| 50 GALLON (190 L) 22" ALUMINUM ROUND / TRUCK | 288AC2 / 001AA3 | N/A | 41.0 | 0.0 |
| Ad-Blue Tank | 001AA3 | N/A | 0.0 | 6.0 |
| Drive Tire Radius | 901AX1 | N/A | 20.7 | 20.7 |



Top View image is intended for illustration purposes only and is not presented to scale. Wheelbase, Axle Spacing and After frame are not shown as specified, but are a representation. Customer Adaptation (CA) options and relocated components are not represented in these images. Most CA options impact the variation of the image, thus an image may not populate. Calculations are approximate to a tolerance of ± 4 inches due to component mounting variation. Certain chassis component options are NOT represented in the Top View image, such as, but not exclusive to, Front Frame Extensions, Fuel Water Separators, Air Dryers, PTOs, Fifth Wheels, Chassis Fairings, Toolboxes, Trailer Connections. For further information on these items and their respective locations on your specification, please refer to the data sheets associated with those items in the configurator.

