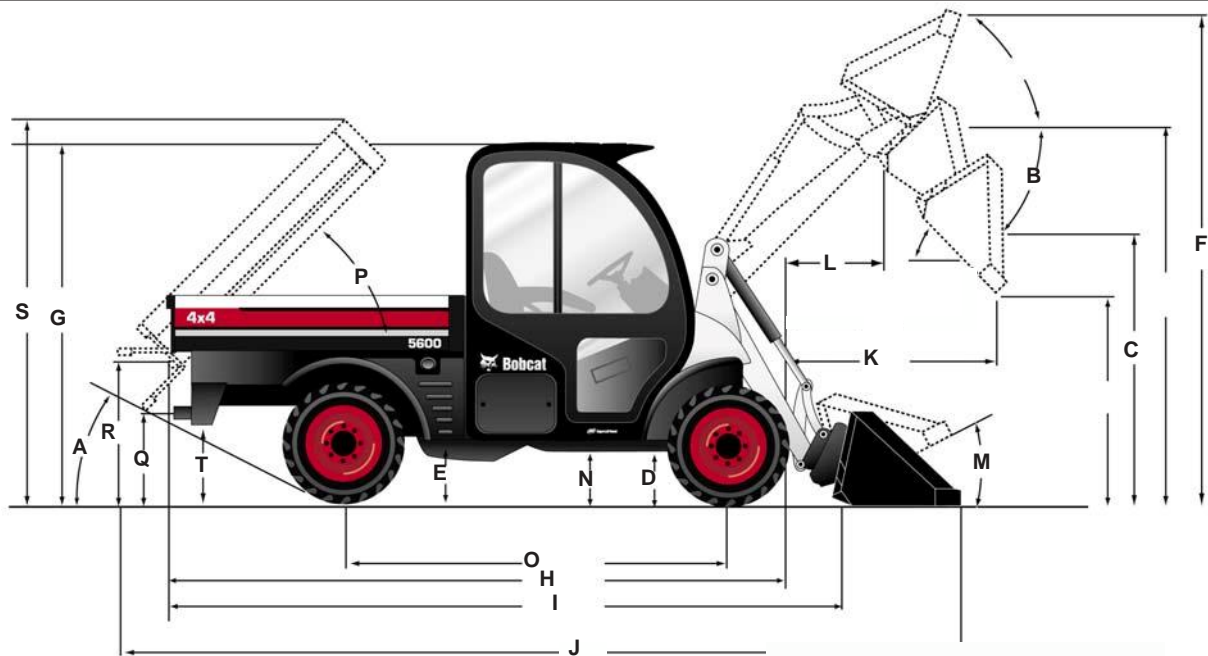
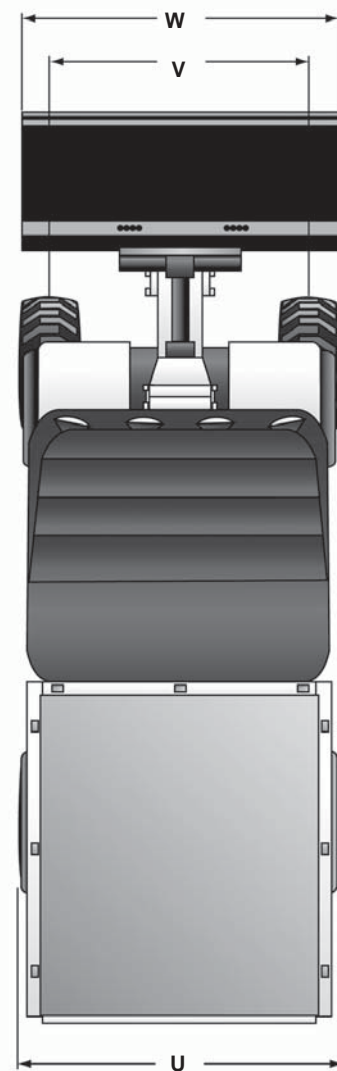


5600 TURBO UTILITY WORK MACHINE SPECIFICATIONS



DIMENSIONS

A. Angle of Departure	30°
B. Dump Angle @ Maximum Height	40°
C. Dump Height	59.4" (1509 mm)
D. Ground Clearance	
Differentials	8.0" (203 mm)
E. Cab	9.2" (232 mm)
F. Height to Bucket Hinge Pin	83.3" (2116 mm)
G. Height	81.0" (2057 mm)
H. Length without Bucket	145.3" (3691 mm)
I. Length with Standard Bucket	172.1" (4372 mm)
J. Length with Bucket and tailgate down	181.6" (4613 mm)
K. Reach	45.7" (1161 mm)
L. Reach to Hinge Pin	20.4" (518 mm)
M. Rollback @ Ground Level	30°
N. Step-in Height	20.7" (526 mm)
O. Wheelbase	88.0" (2235 mm)
P. Box Dump Angle-fully raised	43°
Q. Box Dump Height-fully raised	27.0" (686 mm)
R. Box Bed Height	38.2" (970 mm)
S. Box Height-fully raised	82.0" (2083 mm)
Box Inside Dimensions	
(LxWxH)	56.0" x 51.0" x 10.0"
(LxWxH)	(1422 x 1295 x 254 mm)
T. Hitch Receiver Height	16.4" (416 mm)
Stake Pocket Size (9)	2.0" x 1.5" (51 x 38 mm)
Turning Diameter in AWS mode	17' 5" (5334 mm)
U. Width (over tires, wheels straight)	
27x10.5-15	60.50" (1524 mm)
V. Wheel Tread	
27x10.5-15	49.5" (1257 mm)
W. Bucket Width	62.0" (1575 mm)



ENGINE/ELECTRICAL

Model	Bobcat D24NAP
Fuel/Cooling	Diesel/Liquid
Horsepower (SAE J1995)	62 HP (46.2 kW)
Maximum Governed RPM	2600 RPM
Torque (SAE J1995)	166 LBF-FT (225 N-M) @ 1800 RPM
Number of Cylinders	4
Displacement	146cu. in. (2,4 L)
Bore/Stroke	3.543/3.701 in. (87/101 mm)
Fuel Consumption	2.1 gph (7,9 L/h)
	Average fuel consumption is based on testing by Bobcat Company in all duty cycles. Actual consumption could be 2.1 - 3.4 gph depending on use.
Lubrication	Gear Pump Pressure System
Crankcase Ventilation	Closed
Air Cleaner	Dry replaceable cartridge with safety element
Ignition	Diesel-Compression
Engine Coolant	Propylene glycol/water mix (53%-47%) with freeze protection to -34°F (-37°C)
Starting Aid	Glow plugs
Alternator	Belt driven; 90 amps; ventilated open
Battery	12 volt; 600 cold cranking amps @ 0°F (-18°C); 115 minute reserve capacity @ 25 amps
Starter	12 volt; gear reduction type; 4.02 HP (3,0 kW)

HYDRAULIC SYSTEM

Pump Type	Engine driven, gear type
Pump Capacity-Standard	18.84 GPM (71 L/min)
Pump Capacity-High Flow	27.9 GPM (105,6 L/min)
System Relief @ Quick Couplers	3000 PSI (206,8 Bar)
Hydraulic Filter	Full flow replaceable, 10 micron synthetic media element
Hydraulic Cylinders	Double-acting; tilt cylinder has cushioning feature on dump and rollback
Control Valve (Loader)	Manually-operated, open center, series type with float detent on lift
Control Valve (Attachment)	Electric over hydraulic valve with variable flow control, and dual direction detent
Fluid Type	Bobcat Hydraulic/Hydrostatic Fluid - premium grade anti wear multi viscosity, petroleum based Motor oil is not an acceptable alternative fluid.

Bore Diameter

Lift Cylinder (1)	2.5 in. (63,5 mm)
Tilt Cylinder (1)	2.5 in. (63,5 mm)
Cargo Box Cylinders (2)	2.0 in. (50,8 mm)

Rod Diameter

Lift Cylinder (1)	1.5 in. (38,1 mm)
Tilt Cylinder (1)	1.5 in. (38,1 mm)
Cargo Box Cylinders (2)	1.0 in. (25,4 mm)

Stroke

Lift Cylinder (1)	22.89 in. (581,4 mm)
Tilt Cylinder (1)	16.34 in. (415,0 mm)
Cargo Box Cylinders (2)	6.28 in. (159,5 mm)

Hydraulic Function Times

Raise Lift Arms	3.1 Seconds
Lower Lift Arms	2.1 Seconds
Bucket Dump	2.1 Seconds
Bucket Rollback	1.5 Seconds
Box Raise Time	2.2 Seconds
Box Lower Time	2.2 Seconds

PERFORMANCE

Rated Operating Capacity (ISO 14397)	1805 lbs. (819 kg.)
Operating Weight (SAE)	5680 lbs. (2576 kg.)
Travel Speed (Low Range and Work Mode)	0-8 mph (12.9 km/h)
Travel Speed (High Range)	0-17 mph (26.5 km/h)
Travel Speed (Reverse)	0-8 mph (12.9 km/h)

DRIVE SYSTEM

Transmission	Fully hydrostatic, full-time 4-wheel drive
Differentials	Differentials provided in both axles. Rear axle includes a momentary differential lock
Speeds	Two-speed ranges. Shifting between low and high range can be done on the fly and while under power.
Wheel Bolts	(6) 9/16 in. wheel bolts fixed to axle hubs on 6" bolt circle

SUSPENSION

Front and Rear	4-wheel independent
----------------------	---------------------

CAPACITIES

Fuel Tank	20 gals. (75,7 L)
Cooling System	
Engine Oil with Filter	9.1 qts. (8,6 L)
Hydraulic Reservoir	3.7 gals. (14 L)
Hydraulic/Hydrostatic System	42 qts. (39,8 L)
Axle Lube	5.5 qts. (5,24 L)

CONTROLS

Vehicle Steering	Direction controlled by steering wheel with tilt adjustment
Travel Speed	Controlled by drive pedal, cruise control controlled by dash button
Engine Speed	Controlled by separate hand lever
Vehicle Direction	Forward and reverse travel direction controlled by a shuttle lever
Steering Modes	All-Wheel Steer or Front-Wheel Steer controlled by electric switch
Hydraulic Controls	
Lift & Tilt	Manually operated pilot joystick
Front Auxiliary	Electrical switches on the hydraulic joystick
Dump Box	Electric switch which controls a hydraulic valve
Auxiliary Pressure Release	Pressure is relieved through the coupler block, push in and hold each coupler for five seconds
Engine	Hand lever throttle; key-type starter switch and shutdown
Starting Aid	Glow Plugs – automatically activated by instrument panel
Service Brake	Two independent hydrostatic systems controlled by foot pedal
Two-speed Travel	Engaged via a push button
Parking Brake	Spring applied, released by hydraulic pressure (SAPR). Activated by "Park" position in shuttle lever, or automatically when engine is not running.

INSTRUMENTATION

The following machine functions are monitored by a combination of gauges and warning lights in the operator's line of sight. The system shall alert the operator of monitored machine malfunctions by way of an audible alarm and visual warning lights.

Gauges

Engine Coolant Temperature
Fuel meter

LCD Display

Diagnostic Codes
Hourmeter
Job Clock (resettable)
Speedometer
Tachometer

Warning Lights (Red)

Fuel Level
General Warning
High Hydraulic Temperature
Lift Arm and Tilt Transport Lock
Low Engine Oil Pressure
Low Battery Voltage
Parking Brake
Seat Belt reminder

Indicator Lights (Amber)

Auxiliary Hydraulics Enabled
Cruise Control Engaged reminder
Glow Plugs Activated
Return to Park reminder
Two-Speed engaged reminder
Work Mode indicator

Buttons

Auxiliary Hydraulics
Cruise Control
Display (speed, hours, RPM)
Lift Arm and Tilt Transport Lock
Lights
Parking Brake
Work Mode

SHUT-DOWN SYSTEM

Engine will automatically shut down if any of the following conditions exceed acceptable limits:

High engine temperature
Low engine oil pressure
Low battery voltage
Engine over-speed
Fuel temperature

SERVICEABILITY

Cab Screen Access

Battery
Air Conditioner Condenser
Engine Oil Filter
Engine Oil Dipstick
Fuel Filter
Alternator

Under Box Access

Air Cleaner
Case Drain Hydraulic Filter
Engine and Hydraulic Oil Cooler

- Cargo box is equipped with a box support to use while servicing the machine
- Removable seats give access to hydraulic system components
- Engine oil filter and fuel filter are accessed from under machine
- The lift arm bypass control is located under the passenger seat
- The fuses are located under the dash on passenger side
- In the event the engine cannot run, the cargo box can be raised by hoisting or jacking the front of the box

OPTIONS/ACCESSORIES

Factory Option	Field Kit	Description
X	X	27x8.5-15 (8 ply) Trac Tires
X	X	29x10.5 (8ply) Trac Tires
X	X	29x12.5 (6 ply) Turf Tires
X		Cab Enclosure with Heater & Air Conditioning
X		Deluxe Road Package*
X	X	7-Pin Attachment Control Kit
	X	Backup Alarm
	X	Beacon, Rotating
X	X	Heavy Duty Battery
X		High Flow
	X	Horn Kit
X	X	Interior Trim Kit
X	X	Keyless Start
	X	Step Kit
	X	Mirrors, Rear View & Side
	X	Radio
	X	Rear Window Guard
	X	Rear Work Lights
	X	Road Light Kit
	X	Strobe Light
	X	Wide Fenders
X	X	Work Lights (Front)
X		Traction Control
	X	Lower Debris Guard

*Deluxe Road package includes backup alarm, turn signals, flashers, tail lights, brake lights, rear view mirror, side mirrors, horn, lower engine guard, rear work light and headlights.

STANDARD FEATURES

Adjustable vinyl cushion seats
 All-wheel steer
 Automatically activated glow plugs
 Auxiliary hydraulics:
 Variable flow with dual direction detent
 Beverage holders
 Bob-Tach™
 Boom float
 Cargo box support
 Cruise control
 Deluxe Operator Canopy* includes:
 Front window with wipers, rear window, and
 Electrical power port
 Lower Engine Guard
 Limited Slip Transaxle
 Engine and hydraulic monitor with shutdown
 Front Work Lights
 Full-time four-wheel drive
 Horsepower management
 Dome Light

STANDARD FEATURES CONT.

- Hydraulic dump box
- Instrumentation (See Page 4)
- Joystick controls, manual
- Lift Arm Support
- Parking brake, automatic
- Power steering with tilt steering wheel
- Radiator screen
- Rear receiver hitch
- Seat belts with shoulder harness
- Spark arrestor muffler
- Suspension, 4-wheel independent Tires:
27x10.5-15 (85 ply), Lug Tread
- Toolcat Interlock Control System™ (TICS)
- Two-speed transmission
- Warranty: 1 year, Unlimited Hours
- *Roll Over Protective Structure (ROPS)---
- *Falling Object Protective Structure (FOPS)

ATTACHMENTS

Angle Broom	Flail Cutter	Scraper	Stump Grinder
Auger	Grader	Seeder	3-Point Adapter
Box Blade	Landplane	Snow Blade	Tiller
Box Scraper	Landscape Rake	Snow Pusher	Tilt-Tach
Bucket	Mower	Snow V-Blade	Trencher
Chipper	Pallet Fork - Standard	Snowblower	Utility Fork
Dozer Blade	Pallet Fork - Hydraulic	Soil Conditioner	Utility/Farm Grapple
Dumping Hopper	Rotary Cutter (Brushcat)	Sweeper	Grapple, Industrial
Rock Buckets	Sand/Salt Spreader	Sprayer	Push Broom
Sod Layer	Rebar Bender	Spreader	

SAFETY

- Toolcat Interlock Control System™ (TICS) (Std.) Requires the operator to be seated in the machine with the driver armrest down and the engine running before the hydraulic lift, tilt and the traction drive system can be operated. The auxiliary hydraulics shall deactivate when the operator raises the armrest.
- Lift Arm Bypass Control (Std.) Should the engine not start or a system problem occur with the lift arms raised, the lift arm can be lowered by turning the lift arm bypass control knob clockwise 1/4 turn. Then, pull up and hold until the lift arms slowly lower.
- Three-Point Seat Belts (Std.) Provided for operator and passenger. Includes a detachable shoulder harness

SAFETY CONT.

Operator Cab (Std.)	Cab meets ISO 3471 for Roll Over protective Structure (ROPS) and ISO 3449 Level I for Falling Objects Protective Structure (FOPS). Level I Acceptance is intended for protection from falling bricks, small concrete blocks and hand tools encountered in operations such as highway maintenance, landscaping and other construction site services.
ANSI B56.8	Machine will fully comply with this standard (covering personnel and burden carriers) if a horn kit is added
Cargo Box Support (Std.)	Use for servicing machine when cargo box is raised (stored under cargo box)
Lift Arm Support (Std.)	Use for servicing machine when lift arms are raised (stored under cargo box)
Grab Handles (Std.)	Passenger side grab handle provided. Steering wheel will function as driver side grab handle
Hip Restraint (Std.)	Provided on passenger side next to the seat
Operator's Instructions (Std.)	A weather-proof Operator's Handbook shall be affixed to the inside of the cab providing operation and maintenance instructions. Cab must provide location for storage of the Operation and Maintenance manual. Weather resistant operator handbook written in English will be located behind passenger seat, providing operational instructions and warnings by decals with pictorials and international symbols plus some messages in four basic languages: English, French, German and Spanish.

TRAINING RESOURCES

These optional videotapes and training courses are available through Bobcat Parts

Bobcat Work Machine Operator Training Course

4-hour course provides video, classroom and hands-on training (also available in Spanish)

Bobcat Work Machine Service Safety Training Course

2-hour course provides video, classroom and hands-on training

Bobcat Work Machine Safety Video

Short and to-the-point video provides basic safety instructions for the Work Machine