

Side-Eject Horizontal Baler



*Switch
recyclables
without
contamination
and maximize
the value of your
product*

*Minimize spillage
between bales
and reduce the
need to "double
handle" materials*

*Remove finished
bales quickly and
automatically
to improve
efficiency*

*Front bale tie off
saves valuable
floor space and
eliminates trips
behind the baler*



**Environmental
Solutions Group**

A DOVER COMPANY

Marathon's patented line of Side-Eject Horizontal Balers are uniquely engineered to maximize productivity. They include many features not found on conventional closed-end balers.

Side-Eject Horizontal Baler

- Increased product value by eliminating contamination between bales as the operator changes materials being processed.
- Maximum bale weights with Marathon's Bale Made Indicator, which signals the bale is finished. No time consuming "flag pole" or manual measuring device to compromise bale quality.
- Marathon's exclusive front bale tie-off system allows the operator to quickly direct tie wires around the bale from the front of the baler. This eliminates the need to go behind the baler and loosen hanging wires that drag as a bale is made.
- Eliminates spillage commonly found with conventional balers. No need to "double handle" materials being processed.
- Remove each bale from the bale chamber quickly and easily with Marathon's patented Side-Eject feature and Bale Server Island. Unlike conventional balers that require an operator and forklift to free the bale from the end of the bale chamber, Marathon's Side-Eject design provides consistent and complete bale ejection every time

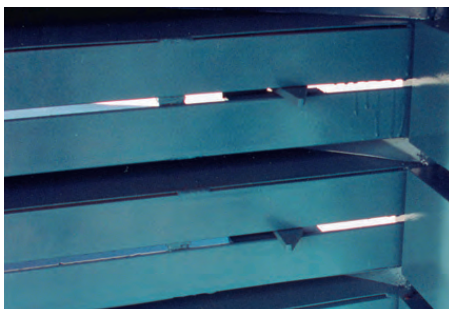




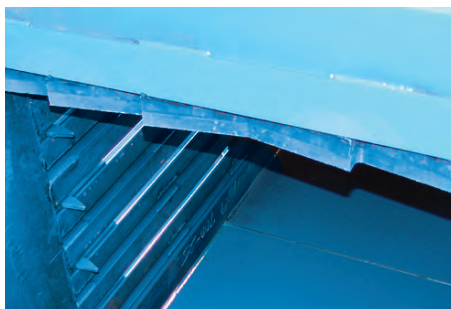
The chute feed hopper with inspection door and interlock switch will accommodate pneumatic, gravity, or conveyor feeding systems.



Marathon's advanced power pack is designed so that all the valves are contained in a single manifold, which minimizes the number of hose connections.



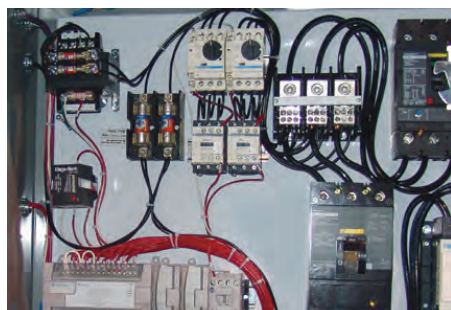
Spring loaded container dogs are located on each side of the bale chamber to produce superior spring back control of materials being processed.



Bolt-on adjustable and replaceable shear blades cut material as a bale is made and minimize problems associated with irregular bale sizes. This makes bales easier to tie and stack.



Marathon's Side-Eject Balers feature a hydraulic door latch standard on all models.



The programmable controller allows for customized programs to better meet customer needs. The controller eliminates the need for relays and timers that take up valuable panel space. All electrical components are UL and CUL listed.

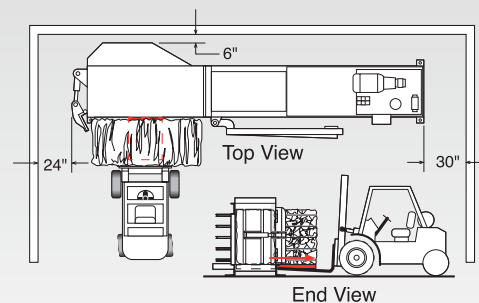
Marathon's Patented Automatic Side Ejection Features Seamless Push Button Operation

Pressure is relieved from the bale in three directions to achieve positive and complete bale ejection from the chamber.

This advanced method of bale ejection begins by activating the "Home" button, which causes the platen to retract to a pre-set location relieving the end force on the bale. The operator then opens the chamber door, which relieves side force and automatically unlocks the hinged upper section of the chamber to relieve vertical force on the bale.

With pressure on the bale effectively relieved from all directions, a hydraulic powered Server Island, located on the floor of the bale chamber, quickly and completely pushes the bale out of the chamber. The Server Island functions as a pallet, eliminating costly construction of permanent guide islands. After the bale is removed with a forklift or pallet jack, the Server Island is retracted—saving valuable space.

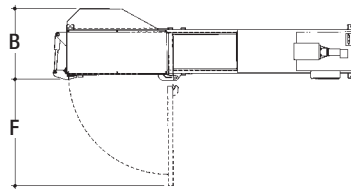
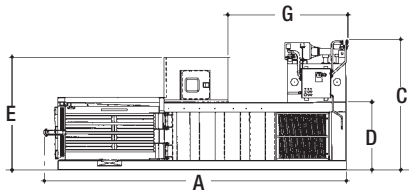
Space-saving design



Install Marathon's Side-Eject Baler against a wall or in a tight space. Minimal floor space is needed for operation due to the unique front baler tie-off feature and side-eject design.

Side Eject Horizontal Baler

Specifications	SE-503042-720	SE-504842-830	SE-504242-830	SE-503042-830	SE-604842-830	SE-504230-950A UBC	SE-503042-950A UBC
Bale Length	72" 1829mm	72" 1829mm	72" 1829mm	72" 1829mm	72" 1829mm	60" 1524mm	60" 1524mm
Bale Width x Height	30"x42" 762mm x 1067mm	48"x42" 1219mm x 1067mm	42"x42" 1067mm x 1067mm	30"x42" 762mm x 1067mm	48"x42" 762mm x 1067mm	42"x30" 1067mm x 762mm	30"x42" 762mm x 1067mm
Clear Top Opening	50"x28" 1270mm x 711mm	50"x46" 1270mm x 1168mm	50"x40" 1270mm x 1016mm	50"x28" 1270mm x 711mm	60"x48" 1524mm x 1219mm	50"x40" 1270mm x 1016mm	50"x28" 1270mm x 711mm
Bale Weight (OCC)	1200-1400 lbs. 544-635 kg	Up to 2000 lbs. 817-907 kg	Up to 1800 lbs. 726-817 kg	Up to 1500 lbs. 590-680 kg	Up to 2000 lbs. Up to 907 kg		
Bale Weight Aluminum (UBC)						Up to 1400 lbs. Up to 635 kg	Up to 1400 lbs. Up to 635 kg
Performance							
Cycle Time (empty)	22 sec.	20 sec.	20 sec.	20 sec.	24 sec.	22.8 sec.	22.8 sec
Platen Force	96,200 lbs. 427.92 kN	125,700 lbs. 559.14 kN	125,700 lbs. 559.14 kN	125,700 lbs. 559.14 kN	125,700 lbs. 559.14 kN	159,000 lbs. 707.26 kN	159,000 lbs. 707.26 kN
Platen Pressure	78.2 psi 539.2 kPa	63.9 psi 440.6 kPa	73.0 psi 503.3 kPa	102.2 psi 704.7 kPa	64 psi 440.6 kPa	133 psi 917 kPa	133 psi 917 kPa
Penetration	16" 406mm	16" 406mm	16" 406mm	16" 406mm	16" 406mm	26" 660mm	26" 660mm
Weight	15,000 lbs. 6804 kg	18,700 lbs. 8482 kg	17,700 lbs. 8029 kg	15,200 lbs. 6895 kg	20,400 lbs. 9253 kg	17,000 lbs. 7711 kg	21,000 lbs. 9526 kg
Electrical Equipment							
Electrical Motor 3/60-208/230/460	20 hp 14.9 kW	30 hp 22.4 kW	30 hp 22.4 kW	30 hp 22.4 kW	30 hp 22.4 kW	50 hp 37.3 kW	50 hp 37.3 kW
Electrical Control Voltage	120 VAC	120 VAC	120 VAC	120 VAC	120 VAC	120 VAC	120 VAC
UL® and CUL® listed							
Hydraulic Equipment							
Pump Type	Vane	Vane	Vane	Vane	Vane	Vane	Vane
Pump Capacity	49 gpm 185.5 lit/min	75 gpm 283.9 lit/min	75 gpm 283.9 lit/min	75 gpm 283.9 lit/min	75 gpm 283.9 lit/min	94 gpm 355.8 lit/min	94 gpm 355.8 lit/min
Operating Pressure	2500 psi 172 bar	2500 psi 172 bar	2500 psi 172 bar	2500 psi 172 bar	2500 psi 172 bar	2500 psi 172 bar	2500 psi 172 bar
Reservoir	150 gal. 568 lit.	150 gal. 568 lit.	150 gal. 568 lit.	150 gal. 568 lit.	150 gal. 568 lit.	200 gal. 750 lit.	200 gal. 757 lit.
Hydraulic Cylinder (Bore)	7" 178mm	8" 203mm	8" 203mm	8" 203mm	8" 203mm	9" 229mm	9" 229mm
Hydraulic Cylinder (Rod)	4.5" 114mm	4.5" 114mm	4.5" 114mm	4.5" 114mm	4.5" 114mm	6" 152mm	6" 152mm
Hydraulic Cylinder (Stroke)	68" 1727mm	68" 1727mm	68" 1727mm	68" 1727mm	78" 1981mm	78" 1981mm	78" 1981mm



Dimensions	A	B	C	D	E	F	G
SE-503042-720	20'-10" (6350mm)	59" (1499mm)	105" (2667mm)	55" (1397mm)	92" (2337mm)	87" (2210mm)	97" (2464mm)
SE-504842-830	20'-10" (6350mm)	77" (1956mm)	105" (2667mm)	55" (1397mm)	92" (2337mm)	87" (2210mm)	97" (2464mm)
SE-504242-830	20'-10" (6350mm)	71" (1803mm)	105" (2667mm)	55" (1397mm)	92" (2337mm)	87" (2210mm)	97" (2464mm)
SE-503042-830	20'-10" (6350mm)	59" (1499mm)	105" (2667mm)	55" (1397mm)	92" (2337mm)	87" (2210mm)	97" (2464mm)
SE-604842-830	22'-5" (6833mm)	77" (1956mm)	110" (2794mm)	55" (1397mm)	92" (2337mm)	87" (2184mm)	97" (2464mm)
SE-503042-950A UBC	21'-1" (6426mm)	59" (1499mm)	105" (2667mm)	55" (1397mm)	92" (2337mm)	74" (2184mm)	97" (2464mm)
SE-504230-950A UBC	21'-1" (6426mm)	71" (1803mm)	93" (2362mm)	43" (1092mm)	80" (2032mm)	74" (2184mm)	97" (2464mm)

Rental and Leasing Programs Available

For detailed specifications, recommendations, or free economic studies comparing various systems, contact Marathon Customer Care at **1-800-269-7237**.

Authorized Dealer:



Marathon Equipment Company
 P.O. Box 1798
 Vernon, AL 35592-1798
 800.269.7237
www.marathonequipment.com
 NJPA Contract #060612-ESG



National Waste & Recycling Association
 Official Recycle Institute



Environmental Solutions Group
 A DOWDER COMPANY

www.doveresg.com



Pictures in this literature are illustrative only. Specifications are subject to change without notice in order to accommodate improvements to the equipment. Complies with ANSI standard Z245.5 and applicable OSHA Regulations. Program. Products must be used with safe practice and in accordance with said regulations and standards.