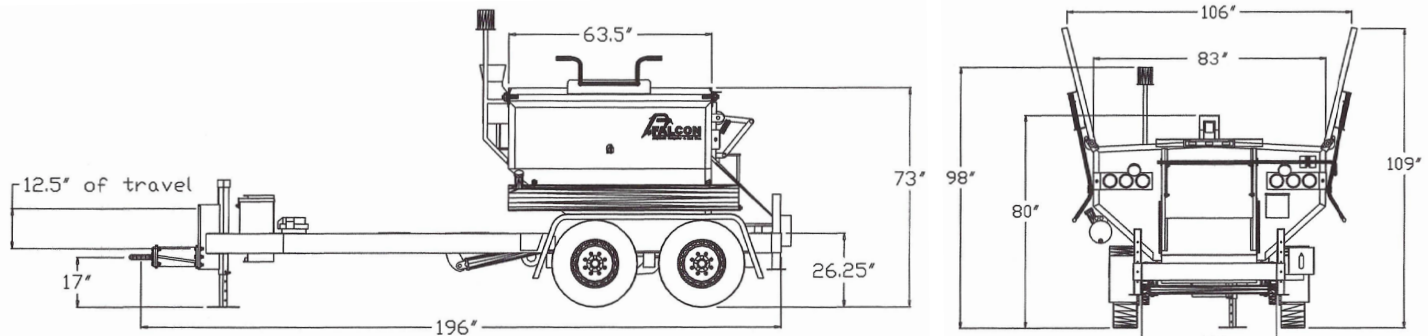


4 TON ASPHALT HOT BOX AND RECYCLER



| Type | 4 Ton Trailer |
|-----------------------------|--|
| Capacity | 8,000 lbs of material |
| Base Weight | 4,340 lbs |
| Weight loaded with material | 12,340lbs |
| GVWR | 14,000 lbs |
| Fuel Source | Diesel |
| Fuel Capacity | 15 gallons on dump box - 18 gallons on fixed trailer |
| Burner Type | 105,000 BTU Diesel Beckett burner w/electronic spark ignition |
| Number of burners | 1 or 2 |
| Unloading door | Insulated guillotine, 18"Hx33" W |
| Loading doors | Manual 63"L x 41"W |
| Hopper opening | 106" - doors open |
| Width | 83" |
| Length | 16' |
| Height | 73" |
| Construction | Triple wall insulated – air jacketed |
| | 10 gauge capping channel and corner molding |
| | Hopper floor 1/4" steel |
| | Wiring is external to hopper |
| Axles | Tandem slipper leaf spring |
| Tires | 8-bolt wheels w/9x16" tires |
| Brakes | Electric brakes with safety breakaway |
| Hitch | 2.5" pintle eye |
| Paint | Blasted and painted with two coats of epoxy primer and urethane finish |
| Frame | 2"x6"x1/4" tubular steel frame with boxed-in and enclosed gussets |
| Asphalt repair areas | 9'x9'x4" depth (80 potholes 1'x1'x4" depth) |
| Warranty | 2 year machine warranty, 5 year maintenance free combustion chamber, lifetime frame warranty |

Falcon Asphalt Repair Equipment

2600 W. Salzburg Rd
 Freeland, MI 48623
 sales@falconrme.com

Phone: (989) 495-9332
 Fax: (989) 495-9342
 www.falconrme.com

WWW.FALCONRME.COM



4 TON ASPHALT HOT BOX AND RECYCLER

STANDARD:

- Battery charger package
- Automatic temperature control
- VIP technology
- One piece ceramic combustion chamber (diesel)
- Diamond tread plate hopper access platform
- Heated shoveling platform
- 12 volt deep cycle batteries
- Conspicuity tape

OPTIONS:

- Hydraulic dump function
- Dual burner recycling package
- Hydraulic loading and unloading doors
- LED light upgrades including LED arrow board
- 30 gallon tack tank with spray system and hose reel
- Basket for mounting compactor
- Wash-down system
- 24-hour or 7-day timer
- Short frame - 14'
- XL frame - 18', 20'
- Electric overnight heat
- Hoist - manual or electric
- Tire upgrade
- Propane torch with bracket
- Other customizable options available

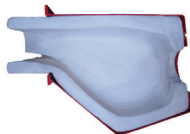
Falcon hot boxes and recyclers give you unparalleled **versatility**. You can **transport cold mix**, keeping it warm during the winter months and making it easier to work with; you can **transport hot mix and keep it hot all day**; and you can **hold hot mix overnight**, keeping it warm for up to 48 hours. You can also **reclaim unused hot mix**, eliminating the waste of good material, and you can **recycle asphalt chunks and millings**. All of this makes Falcon the most versatile machine you can buy for pavement preservation.

All Falcon machines are built with pride in Michigan and come with the following standard features: **patented heat management system** featuring a 5-year maintenance-free combustion chamber, **large unloading door** for easy access, **patented VIP system** to eliminate damage from low voltage, a **2-year machine warranty and lifetime frame warranty**, an emphasis on **curbside safety** and easy platform work surfaces, and a durable and **reliable dump system**.

THE FALCON ADVANTAGE



Large Unloading Door For Easy Access



Patented Heat Management System



Platform For Safe, Easy Hopper Access



Patented VIP - Low Voltage Shutdown



Dump System - Pivot Point & V-Body



Lifetime Frame Warranty

Falcon Asphalt Repair Equipment

2600 W. Salzburg Rd
Freeland, MI 48623
sales@falconrme.com

Phone: (989) 495-9332
Fax: (989) 495-9342
www.falconrme.com

WWW.FALCONRME.COM