

Dynapac CC900 Plus

Double drum vibratory rollers



Technical data



Masses

| | |
|-----------------------------|---------------------|
| Max. operating mass | 3,700 lbs |
| Operating mass (incl. ROPS) | 3,500 lbs |
| Module mass (front/rear) | 1,700 lbs/1,900 lbs |



Compaction

| | |
|---------------------------------|---------------|
| Centrifugal force | 3,800 lb |
| Nominal amplitude | 0.016 in |
| Static linear load (front/rear) | 46 /53 lbs/in |
| Vibration frequency | 4,200 vpm |
| Water tank | 50 gal |



Hydraulic system

| | |
|--------------------------------|--|
| Driving | Axial piston pump with variable displacement and servo. 2 radial piston motors with constant displacement. |
| Vibration | Gear pump/motors with constant displacement. |
| Steering | Gear pump with constant displacement. |
| Service brake | Hydrostatic in forward and reverse lever. |
| Parking/ Emergency brake | Failsafe brake in both drums. |



Engine

| | |
|------------------------|------------------------|
| Manufacturer/Model | Kubota D1105-E4B T4f/V |
| Type | Water cooled diesel |
| Rated power, SAE J1995 | 24 hp @ 2,800 rpm |
| Fuel tank capacity | 6 gal |



Propulsion

| | |
|----------------------|----------|
| Speed range | 0-9 km/h |
| Vertical oscillation | ±13° |

Find us locally at www.dynapac.us

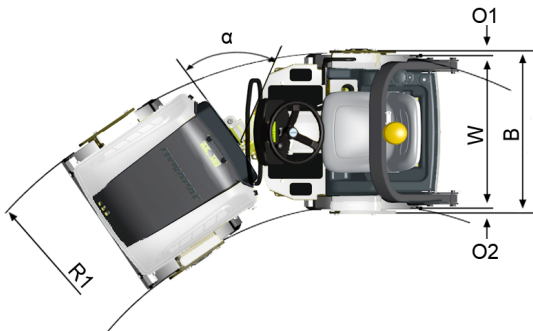
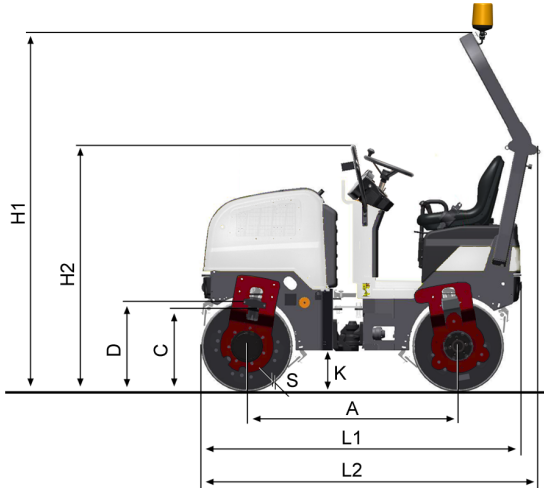
We reserve the right to change specifications without notice. Photos and illustrations do not always show standard versions of machines. The above information is a general description only, all informations are supplied without liability.

Dynapac CC900 Plus

Double drum vibratory rollers



Technical data



| Dimensions | |
|-----------------------------|--------|
| A. Wheelbase | 53 in |
| B. Width | 0 in |
| C. Curb clearance | 18 in |
| D. Drum diameter | 23 in |
| H1. Height, with ROPS/cab | 91 in |
| K. Ground clearance | 10 in |
| L1. Length | 80 in |
| O1. Overhang, right | 1 in |
| O2. Overhang, left | 1 in |
| R1. Turning radius, outside | 9 ft |
| S. Drum shell thickness | 0.5 in |
| W. Working width | 35 in |
| α. Steering angle | ±34° |



Equipment package

| CC Plus Package | Included | Optional |
|--------------------------------------|----------|----------|
| Backup alarm | ■ | |
| CE sign | ■ | |
| Comfort seat | ■ | |
| Cup/can holder | ■ | |
| Driving lights, right or left handed | | ■ |
| Dual forward/reverse control | | ■ |
| Foldable ROPS incl. 3" seat belt | ■ | |
| Large Watertank, 50 gal | ■ | |
| Rotating beacon | ■ | |
| Rotating beacon, ignition controlled | | ■ |
| Spring loaded scrapers | ■ | |
| Sprinkler timer | ■ | |
| Vibr. shut off, front or rear drum | ■ | |
| Working lights | ■ | |



Standard equipment

Auto Vibration Ctrl (AVC), Auto Water Ctrl (AWC), Back up alarm, Central lifting eye, Cup/Can holder, Emergency stop, Foldable ROPS, Fuel gauge, Horn, Hourmeter, Hydraulic pressure checkpoints, Ignition key, Interlock brake, Pressurized sprinkler system, Rubber mounted operator's platform, Seat belt, Sprinkler timer, Towing eyelet front/rear, Vibrations both drums, Warning lights; Brake -Charging -Engine oil pressure /water temp -Low fuel



Optional equipment

Biodegradable hydraulic fluid, Cert. fire protection (SBF 127), Decal risk location (GOST), Fire extinguisher, Hearing protectors, Licence plate light, Rear view mirror (traffic view), Service kit 50/500/1000 h, Side direction lights (driving lights required), Slow moving vehicle sign, Special color (one or two), Tool set, Water tank cover (lockable)

Find us locally at www.dynapac.us

We reserve the right to change specifications without notice. Photos and illustrations do not always show standard versions of machines. The above information is a general description only, all informations are supplied without liability.