

Prepared for:
 Jason
 Bennett
 NC SHERIFFS ASSOCIATION
 PO BOX 20049
 RALEIGH, NC 27619
 CONTRACT 23-03-0524

Prepared by:
 Terry Keith
 Excel Truck Group
 4633 Equipment Drive
 Charlotte, NC 28269

S P E C I F I C A T I O N P R O P O S A L : 4 1 , 6 0 0 # G V W R N F P A C H A S S I S

Data Code	Description	Weight Front	Weight Rear
Price Level			
PRL-26M	M2 PRL-26M (EFF:7/26/21)		
Data Version			
DRL-032	SPECPRO21 DATA RELEASE VER 032		
Vehicle Configuration			
001-175	M2 112 CONVENTIONAL CHASSIS	8,244	6,126
004-223	2023 MODEL YEAR SPECIFIED		
002-004	SET BACK AXLE		
019-002	STRAIGHT TRUCK PROVISION		
003-001	LH PRIMARY STEERING LOCATION		
General Service			
AA1-002	TRUCK CONFIGURATION		
AA6-002	DOMICILED, USA (EXCLUDING CALIFORNIA AND CARB OPT-IN STATES)		
A85-020	FIRE SERVICE		
A84-1EV	EMERGENCY VEHICLES BUSINESS SEGMENT		
AA4-002	LIQUID BULK COMMODITY		
AA5-006	TERRAIN/DUTY: 10% (SOME) OF THE TIME, IN TRANSIT, IS SPENT ON NON-PAVED ROADS		
AB1-008	MAXIMUM 8% EXPECTED GRADE		
AB5-003	MAINTAINED GRAVEL OR CRUSHED ROCK - MOST SEVERE IN-TRANSIT (BETWEEN SITES) ROAD SURFACE		
995-1AE	FREIGHTLINER LEVEL II WARRANTY		
A66-99D	EXPECTED FRONT AXLE LOAD: 14600 lbs.		
A68-99D	EXPECTED REAR DRIVE AXLE LOAD: 27000 lbs.		
A63-99D	GROSS VEHICLE WEIGHT CAPACITY: 41600 lbs.		
Truck Service			
AA3-031	FIRE TANK: OPTION FOR MAIN DRIVELINE DRIVEN SPLIT-SHAFT OR PTO DRIVEN PUMP		
A89-99D	EXPECTED CAB TO BODY CLEARANCE: 10.0 in FOR L9 ATD		
RTK-1AA	APPROVAL TO SHARE SPEC WITH TEM		

Prepared for:
 Jason
 Bennett
 NC SHERIFFS ASSOCIATION
 PO BOX 20049
 RALEIGH, NC 27619
 CONTRACT 23-03-0524

Prepared by:
 Terry Keith
 Excel Truck Group
 4633 Equipment Drive
 Charlotte, NC 28269

Data Code	Description	Weight Front	Weight Rear
Engine			
101-3B4	CUMMINS L9 450EV HP @ 2100 RPM; 2200 GOV RPM, 1250 LB-FT @ 1200 RPM, R/F/E	-850	-70
Programmable Electronic Parameters			
79A-060	60 MPH ROAD SPEED LIMIT		
79B-000	CRUISE CONTROL SPEED LIMIT SAME AS ROAD SPEED LIMIT		
79F-004	CUMMINS TRIP INFORMATION REPORTS ENABLED; LEVEL 1: 4 MPH, LEVEL 2: 7 MPH ABOVE ROAD SPEED LIMIT		
79K-011	PTO MODE ENGINE RPM LIMIT - 1400 RPM		
79P-002	PTO RPM WITH CRUISE SET SWITCH - 700 RPM		
79Q-002	PTO RPM WITH CRUISE RESUME SWITCH - 700 RPM		
79S-008	PTO MODE CANCEL VEHICLE SPEED - 25 MPH		
79U-004	PTO GOVERNOR RAMP RATE - 100 RPM PER SECOND		
79V-001	FUEL DOSING OF AFTERTREATMENT ENABLED IN PTO MODE-CLEANS HYDROCARBONS AT HIGH TEMPERATURES ONLY		
79W-001	ONE REMOTE PTO SPEED		
79X-012	PTO SPEED 1 SETTING - 1400 RPM		
80C-004	ENGINE BRAKE WITH CRUISE CONTROL ENABLED AT 2 MPH ABOVE SET SPEED, 1 MPH INCREMENT BETWEEN BRAKING LEVELS		
80E-001	ENGINE FAN ENABLED WITH RETARDER		
80F-001	AUTOMATIC MAINTENANCE MONITOR WITH ALERT AT 5% OF INTERVAL REMAINING		
80G-002	PTO MINIMUM RPM - 700		
80H-004	CUMMINS EMERGENCY VEHICLE THROTTLE CONTROL OPTION		
80J-001	REGEN INHIBIT SPEED THRESHOLD - 0 MPH		
Engine Equipment			
99C-021	2010 EPA/CARB/GHG21 CONFIGURATION		
99D-010	NO 2008 CARB EMISSION CERTIFICATION		
13E-001	STANDARD OIL PAN		
105-001	ENGINE MOUNTED OIL CHECK AND FILL		
014-1BX	SIDE OF HOOD AIR INTAKE WITH NFPA COMPLIANT EMBER SCREEN AND FIRE RETARDANT DONALDSON AIR CLEANER		

Prepared for:
 Jason
 Bennett
 NC SHERIFFS ASSOCIATION
 PO BOX 20049
 RALEIGH, NC 27619
 CONTRACT 23-03-0524

Prepared by:
 Terry Keith
 Excel Truck Group
 4633 Equipment Drive
 Charlotte, NC 28269

Data Code	Description	Weight Front	Weight Rear
124-1E7	DR 12V 275 AMP 40-SI BRUSHLESS PAD ALTERNATOR WITH REMOTE BATTERY VOLTAGE SENSE	10	
292-1e1	(2) ODYSSEY AGM BATTERIES, GROUP 31 12 VOLT, 2300CCA	-40	-10
290-017	BATTERY BOX FRAME MOUNTED		
281-001	STANDARD BATTERY JUMPERS	4	
282-001	SINGLE BATTERY BOX FRAME MOUNTED LH SIDE UNDER CAB		
291-017	WIRE GROUND RETURN FOR BATTERY CABLES WITH ADDITIONAL FRAME GROUND RETURN		
289-001	NON-POLISHED BATTERY BOX COVER		
293-060	POSITIVE LOAD DISCONNECT WITH CAB MOUNTED CONTROL SWITCH WITH LOCKING PROVISION MOUNTED OUTBOARD DRIVER SEAT	10	
295-029	POSITIVE AND NEGATIVE POSTS FOR JUMPSTART LOCATED ON FRAME NEXT TO STARTER	2	
107-032	CUMMINS TURBOCHARGED 18.7 CFM AIR COMPRESSOR WITH INTERNAL SAFETY VALVE		
108-002	STANDARD MECHANICAL AIR COMPRESSOR GOVERNOR		
131-013	AIR COMPRESSOR DISCHARGE LINE		
152-039	GVG, FIRE AND EMERGENCY SERVICE VEHICLES ENGINE WARNING		
128-1AN	C-BRAKE BY JACOBS WITH HIGH MED LOW BRAKE WITH BRAKE LAMPS	80	
016-1DC	RH OUTBOARD UNDER STEP MOUNTED HORIZONTAL AFTERTREATMENT SYSTEM ASSEMBLY WITH RH HORIZONTAL TAILPIPE EXITING FORWARD OF REAR TIRES	10	5
28F-007	ENGINE AFTERTREATMENT DEVICE, AUTOMATIC OVER THE ROAD ACTIVE REGENERATION AND DASH MOUNTED SINGLE REQUEST/INHIBIT SWITCH		
239-001	STANDARD EXHAUST SYSTEM LENGTH		
237-022	RH HORIZONTAL TAILPIPE, EXIT FORWARD OF REAR TIRES	20	20
23U-001	6 GALLON DIESEL EXHAUST FLUID TANK		
30N-003	100 PERCENT DIESEL EXHAUST FLUID FILL		
43X-002	LH MEDIUM DUTY STANDARD DIESEL EXHAUST FLUID TANK LOCATION		
23Y-001	STANDARD DIESEL EXHAUST FLUID PUMP MOUNTING		

Prepared for:
 Jason
 Bennett
 NC SHERIFFS ASSOCIATION
 PO BOX 20049
 RALEIGH, NC 27619
 CONTRACT 23-03-0524

Prepared by:
 Terry Keith
 Excel Truck Group
 4633 Equipment Drive
 Charlotte, NC 28269

Data Code	Description	Weight Front	Weight Rear
43Y-001	STANDARD DIESEL EXHAUST FLUID TANK CAP		
273-018	HORTON DRIVEMASTER ADVANTAGE ON/OFF FAN DRIVE		
276-002	AUTOMATIC FAN CONTROL WITH DASH SWITCH AND INDICATOR LIGHT, NON ENGINE MOUNTED		
110-003	CUMMINS SPIN ON FUEL FILTER		
118-008	COMBINATION FULL FLOW/BYPASS OIL FILTER		
120-009	FLEETGUARD PLAIN COOLANT FILTER		
266-017	1300 SQUARE INCH ALUMINUM RADIATOR	-20	
103-039	ANTIFREEZE TO -34F, OAT (NITRITE AND SILICATE FREE) EXTENDED LIFE COOLANT		
171-007	GATES BLUE STRIPE COOLANT HOSES OR EQUIVALENT		
172-001	CONSTANT TENSION HOSE CLAMPS FOR COOLANT HOSES		
168-001	STEEL OIL PAN GUARD	80	
134-001	ALUMINUM FLYWHEEL HOUSING		
132-004	ELECTRIC GRID AIR INTAKE WARMER		
155-058	DELCO 12V 38MT HD STARTER WITH INTEGRATED MAGNETIC SWITCH	-10	
Transmission			
342-1KD	ALLISON 3000 EVS AUTOMATIC TRANSMISSION WITH PTO PROVISION	-80	-20
Programmable Transmission Equipment			
343-331	ALLISON VOCATIONAL PACKAGE 198 - AVAILABLE ON 3000 EVS		
84B-003	ALLISON VOCATIONAL RATING FOR FIRE TRUCK/EMERGENCY VEHICLE APPLICATIONS AVAILABLE WITH ALL PRODUCT FAMILIES		
84C-023	PRIMARY MODE GEARS, LOWEST GEAR 1, START GEAR 1, HIGHEST GEAR 6, AVAILABLE FOR 3000 EVS		
84D-023	SECONDARY MODE GEARS, LOWEST GEAR 1, START GEAR 1, HIGHEST GEAR 6, AVAILABLE FOR 3000 EVS		
84E-013	S1 PERFORMANCE PRIMARY SHIFT SCHEDULE, AVAILABLE FOR 3000 EVS		
84F-012	S1 PERFORMANCE SECONDARY SHIFT SCHEDULE, AVAILABLE FOR 3000 EVS		
84G-014	2200 RPM PRIMARY MODE SHIFT SPEED		
84H-014	2200 RPM SECONDARY MODE SHIFT SPEED		

Prepared for:
 Jason
 Bennett
 NC SHERIFFS ASSOCIATION
 PO BOX 20049
 RALEIGH, NC 27619
 CONTRACT 23-03-0524

Prepared by:
 Terry Keith
 Excel Truck Group
 4633 Equipment Drive
 Charlotte, NC 28269

Data Code	Description	Weight Front	Weight Rear
84J-000	ENGINE BRAKE RANGE PRESELECT RECOMMENDED BY DTNA AND ALLISON, THIS DEFINED BY ENGINE AND VOCATIONAL USAGE		
84K-000	ENGINE BRAKE RANGE ALTERNATE PRESELECT RECOMMENDED BY DTNA AND ALLISON, THIS DEFINED BY ENGINE AND VOCATIONAL USAGE		
84M-001	PUMP MODE INPUT ENABLED 3RD/4TH LOCKUP WIRED ON TCM INPUT AJ/BQ - ALLISON 5TH GEN TRANSMISSIONS		
85B-004	4TH RANGE INDICATION ON TCM OUTPUT C - ALLISON 5TH GEN TRANSMISSIONS		
353-065	VEHICLE INTERFACE WIRING CONNECTOR WITH BLUNT CUTS, AT BACK OF CAB		
34C-002	ELECTRONIC TRANSMISSION CUSTOMER ACCESS CONNECTOR MOUNTED BACK OF CAB		
341-018	MAGNETIC PLUGS, ENGINE DRAIN, TRANSMISSION DRAIN, AXLE(S) FILL AND DRAIN		
345-003	PUSH BUTTON ELECTRONIC SHIFT CONTROL, DASH MOUNTED		
97G-004	TRANSMISSION PROGNOSTICS - ENABLED 2013		
370-015	WATER TO OIL TRANSMISSION COOLER, IN RADIATOR END TANK	15	
346-003	TRANSMISSION OIL CHECK AND FILL WITH ELECTRONIC OIL LEVEL CHECK		
35T-001	SYNTHETIC TRANSMISSION FLUID (TES-295 COMPLIANT)		

Front Axle and Equipment

400-1A8	DETROIT DA-F-14.7-3 14,700# FF1 71.5 KPI/3.74 DROP SINGLE FRONT AXLE	10	
402-1A3	MERITOR EX-H AIR DISC FRONT BRAKES		
403-026	FIRE AND EMERGENCY SEVERE SERVICE, NON-ASBESTOS FRONT LINING		
419-004	FRONT DISC BRAKE ROTORS		
409-006	FRONT OIL SEALS		
408-001	VENTED FRONT HUB CAPS WITH WINDOW, CENTER AND SIDE PLUGS - OIL		
416-022	STANDARD SPINDLE NUTS FOR ALL AXLES		
405-030	FRONT AIR DISC BRAKE INTERNAL ADJUSTERS		
536-012	TRW TAS-85 POWER STEERING	40	
539-003	POWER STEERING PUMP		
534-003	4 QUART POWER STEERING RESERVOIR	5	

Prepared for:
 Jason
 Bennett
 NC SHERIFFS ASSOCIATION
 PO BOX 20049
 RALEIGH, NC 27619
 CONTRACT 23-03-0524

Prepared by:
 Terry Keith
 Excel Truck Group
 4633 Equipment Drive
 Charlotte, NC 28269

Data Code	Description	Weight Front	Weight Rear
40T-004	ROADRANGER SYNTHETIC FE 75W-90 LUBE		
Front Suspension			
620-003	14,600# FLAT LEAF FRONT SUSPENSION	250	
619-004	GRAPHITE BRONZE BUSHINGS WITH SEALS - FRONT SUSPENSION		
410-001	FRONT SHOCK ABSORBERS		
Rear Axle and Equipment			
420-1DR	MERITOR RS-25-160 27,000# R-SERIES FIRE/EMERGENCY SERVICE SINGLE REAR AXLE		-2,250
421-563	5.63 REAR AXLE RATIO		
424-001	IRON REAR AXLE CARRIER WITH STANDARD AXLE HOUSING		
386-073	MXL 17T MERITOR EXTENDED LUBE MAIN DRIVELINE WITH HALF ROUND YOKES	20	20
452-001	DRIVER CONTROLLED TRACTION DIFFERENTIAL - SINGLE REAR AXLE		20
878-018	(1) DRIVER CONTROLLED DIFFERENTIAL LOCK REAR VALVE FOR SINGLE DRIVE AXLE		
87B-005	BUZZER AND BLINKING LAMP WITH EACH MODE SWITCH, DIFFERENTIAL UNLOCK WITH IGNITION OFF, ACTIVE <5 MPH		
423-1A3	MERITOR EX-H AIR DISC REAR BRAKES		
433-025	FIRE AND EMERGENCY SEVERE SERVICE NON-ASBESTOS REAR BRAKE LINING		
434-012	BRAKE CAMS AND CHAMBERS ON REAR SIDE OF DRIVE AXLE		
451-005	REAR DISC BRAKE ROTORS		
440-006	REAR OIL SEALS		
426-1AH	AIR DISC LONGSTROKE 1-DRIVE AXLE SPRING PARKING CHAMBERS		
428-030	REAR AIR DISC BRAKE INTERNAL ADJUSTERS		
41T-003	ROADRANGER SYNTHETIC FE 75W-90 LUBE		
Rear Suspension			
622-1DG	31,000# FLAT LEAF SPRING REAR SUSPENSION WITH HELPER AND RADIUS ROD FOR FIRE/EMERGENCY SERVICE	1	140
621-004	SPRING SUSPENSION - 1.50" AXLE SPACER		10
431-001	STANDARD AXLE SEATS IN AXLE CLAMP GROUP		
623-005	FORE/AFT CONTROL RODS		

Prepared for:
 Jason
 Bennett
 NC SHERIFFS ASSOCIATION
 PO BOX 20049
 RALEIGH, NC 27619
 CONTRACT 23-03-0524

Prepared by:
 Terry Keith
 Excel Truck Group
 4633 Equipment Drive
 Charlotte, NC 28269

Data Code	Description	Weight Front	Weight Rear
Brake System			
018-002	AIR BRAKE PACKAGE		
490-101	WABCO 4S/4M ABS WITH TRACTION CONTROL, WITH ATC OFF-ROAD SWITCH		
871-001	REINFORCED NYLON, FABRIC BRAID AND WIRE BRAID CHASSIS AIR LINES		
904-001	FIBER BRAID PARKING BRAKE HOSE		
412-001	STANDARD BRAKE SYSTEM VALVES		
46D-002	STANDARD AIR SYSTEM PRESSURE PROTECTION SYSTEM		
413-002	STD U.S. FRONT BRAKE VALVE		
432-003	RELAY VALVE WITH 5-8 PSI CRACK PRESSURE, NO REAR PROPORTIONING VALVE		
480-086	BW AD-9SI BRAKE LINE AIR DRYER WITH HEATER		
479-012	AIR DRYER MOUNTED UNDER HOOD		
460-1AM	STEEL AIR BRAKE RESERVOIRS MOUNTED INSIDE RAIL; CUSTOMER ACCEPTS TANKS MOUNTED IN REAR OVERHANG/REAR SUSPENSION		
607-001	CLEAR FRAME RAILS FROM BACK OF CAB TO FRONT REAR SUSPENSION BRACKET, BOTH RAILS OUTBOARD		
477-006	BW DV-2 AUTO DRAIN VALVE WITHOUT HEATER ON ALL TANKS		
Chassis Electrical			
335-004	UPGRADED CHASSIS MULTIPLEXING UNIT		
Preliminary Wheelbase & Frame			
545-512	202 INCH WHEELBASE		
546-102	7/16X3-9/16X11-1/8 INCH STEEL FRAME 120KSI	230	220
552-030	63 INCH REAR FRAME OVERHANG		
AC8-99D	CALC'D BACK OF CAB TO REAR SUSP C/L (CA) : 136.22 in		
553-001	SQUARE END OF FRAME		
550-001	FRONT CLOSING CROSSMEMBER		
559-001	STANDARD WEIGHT ENGINE CROSSMEMBER		
561-001	STANDARD CROSSMEMBER BACK OF TRANSMISSION		
562-055	STANDARD MIDSHIP #1 CROSSMEMBER(S); FIRST MIDSHIP MOUNTED 36.0 INCHES BACK OF CAB		
572-001	STANDARD REAR MOST CROSSMEMBER		

Prepared for:
 Jason
 Bennett
 NC SHERIFFS ASSOCIATION
 PO BOX 20049
 RALEIGH, NC 27619
 CONTRACT 23-03-0524

Prepared by:
 Terry Keith
 Excel Truck Group
 4633 Equipment Drive
 Charlotte, NC 28269

Data Code	Description	Weight Front	Weight Rear
565-001	STANDARD SUSPENSION CROSSMEMBER		

Chassis Equipment

556-1A5	THREE-PIECE 14 INCH CHROME STEEL BUMPER WITH COLLAPSIBLE ENDS AND LH AND RH WING CUTOUTS FOR SQUARE SPEAKERS		
558-070	REMOVABLE FRONT TOW DEVICE, STORED ON CHASSIS FRAME	15	
574-001	BUMPER MOUNTING FOR SINGLE LICENSE PLATE		
586-024	FENDER AND FRONT OF HOOD MOUNTED FRONT MUDFLAPS		
551-002	HUCK-SPIN ROUND COLLAR CHASSIS FASTENERS		
605-103	D15-28195-000 CENTER PUNCH TO MARK CENTERLINE OF REAR SUSPENSION ON TOP FLANGE OF FRAME		
970-039	TANK BODY 1501 TO 2000 GALLONS		

Fuel Tanks

204-215	50 GALLON SHORT RECTANGULAR ALUMINUM FUEL TANK - LH	-10	
215-004	POLISHING OF FUEL TANK WITH PAINTED BANDS		
212-007	FUEL TANK FORWARD UNDER CAB		
664-002	POLISHED STEP FINISH		
205-002	CHROME FUEL TANK CAP		
122-1J1	DETROIT FUEL/WATER SEPARATOR WITH WATER IN FUEL SENSOR, HAND PRIMER AND 12 VOLT PREHEATER"	10	
216-020	EQUIFLO INBOARD FUEL SYSTEM		
202-016	HIGH TEMPERATURE REINFORCED NYLON FUEL LINE		

Tires

093-1RM	MICHELIN X WORKS Z 12R22.5 16 PLY RADIAL FRONT TIRES	76	
094-1RM	MICHELIN X WORKS Z 12R22.5 16 PLY RADIAL REAR TIRES		152

Hubs

Prepared for:
 Jason
 Bennett
 NC SHERIFFS ASSOCIATION
 PO BOX 20049
 RALEIGH, NC 27619
 CONTRACT 23-03-0524

Prepared by:
 Terry Keith
 Excel Truck Group
 4633 Equipment Drive
 Charlotte, NC 28269

Data Code	Description	Weight Front	Weight Rear
418-060	CONMET PRESET PLUS PREMIUM IRON FRONT HUBS		
450-060	CONMET PRESET PLUS PREMIUM IRON REAR HUBS		

Wheels

502-659	POLIAHED ACCURIDE 42644 ACCU-LITE 22.5X8.25 10-HUB PILOT 5.72 INSET ALUMINUM DISC FRONT WHEELS	-60	
505-659	POLISHED ACCURIDE 42644 ACCU-LITE 22.5X8.25 10-HP ALUMINUM DISC REAR WHEELS		-120
498-059	ALLIGATOR V2B CAPS WITH NYLON WHEEL GUARDS FRONT AND REAR AT ALL INTERFACES		

Cab Exterior

829-072	112 INCH BBC ALUMINUM CONVENTIONAL SAFETY CAB		
650-008	AIR CAB MOUNTING		
705-012	CAB ROOF REINFORCEMENTS FOR ROOF MOUNTED COMPONENTS	2	
648-002	NONREMOVABLE BUGSCREEN MOUNTED BEHIND GRILLE		
754-017	BOLT-ON MOLDED FLEXIBLE FENDER EXTENSIONS	10	
678-067	SAFETY YELLOW LH AND RH INTERIOR GRAB HANDLES AND LH AND RH EXTERIOR GRAB HANDLES WITH SINGLE RUBBER INSERT		
646-023	HOOD MOUNTED CHROMED PLASTIC GRILLE		
65X-003	CHROME HOOD MOUNTED AIR INTAKE GRILLE		
644-004	FIBERGLASS HOOD		
690-017	HOOD LINER, ADDED FIREWALL, AND FLOOR HEAT INSULATION	5	
727-1B1	DUAL 25 INCH ROUND HADLEY STUTTER TONE HOOD MOUNTED AIR HORNS WITH DUAL LANYARDS	8	
726-002	DUAL ELECTRIC HORNS		
728-002	DUAL HORN SHIELDS		
657-001	DOOR LOCKS AND IGNITION SWITCH KEYED THE SAME		
78G-004	KEY QUANTITY OF 4		
575-001	REAR LICENSE PLATE MOUNT END OF FRAME		

Prepared for:
 Jason
 Bennett
 NC SHERIFFS ASSOCIATION
 PO BOX 20049
 RALEIGH, NC 27619
 CONTRACT 23-03-0524

Prepared by:
 Terry Keith
 Excel Truck Group
 4633 Equipment Drive
 Charlotte, NC 28269

Data Code	Description	Weight Front	Weight Rear
312-088	LED HEADLIGHT ASSEMBLY AND INCANDESCENT MARKER/TURN LAMP WITH CHROME BEZEL		
302-047	LED AERODYNAMIC MARKER LIGHTS		
311-019	HEADLIGHTS ON WITH WIPERS, WITH DAYTIME RUNNING LIGHTS		
294-094	OMIT STOP/TAIL/BACKUP LIGHTS AND PROVIDE WIRING WITH SEPARATE STOP/TAIL WIRES TO 7 FEET BEYOND END OF FRAME		-5
300-015	STANDARD FRONT TURN SIGNAL LAMPS		
469-014	AUTOMATIC ON/OFF NFPA ENGINE COMPARTMENT, HOOD ACTIVATED WORK LIGHT WITH MANUAL OVERRIDE	1	
744-103	DUAL WEST COAST BRIGHT FINISH HEATED MIRRORS WITH LED LIGHTS AND LH AND RH REMOTE		
797-001	DOOR MOUNTED MIRRORS		
796-001	102 INCH EQUIPMENT WIDTH		
743-204	LH AND RH 8 INCH BRIGHT FINISH CONVEX MIRRORS MOUNTED UNDER PRIMARY MIRRORS		
74A-001	RH DOWN VIEW MIRROR		
729-001	STANDARD SIDE/REAR REFLECTORS		
677-055	RH AFTERTREATMENT SYSTEM CAB ACCESS WITH POLISHED DIAMOND PLATE COVER		
275-061	PARK BRAKE REMINDER WARNING SYSTEM		
764-010	COMPOSITE EXTERIOR SUN VISOR	10	
768-998	NO REAR WINDOW	-20	
661-003	TINTED DOOR GLASS LH AND RH WITH TINTED NON-OPERATING WING WINDOWS		
654-027	RH AND LH ELECTRIC POWERED WINDOWS, PASSENGER SWITCHES ON DOOR	4	
663-013	1-PIECE SOLAR GREEN GLASS WINDSHIELD		
659-019	2 GALLON WINDSHIELD WASHER RESERVOIR WITHOUT FLUID LEVEL INDICATOR, FRAME MOUNTED		
Cab Interior			
707-1AK	OPAL GRAY VINYL INTERIOR		
706-026	MOLDED PLASTIC DOOR PANEL WITHOUT VINYL INSERT WITH ALUMINUM KICKPLATE LOWER DOOR		
708-026	MOLDED PLASTIC DOOR PANEL WITHOUT VINYL INSERT WITH ALUMINUM KICKPLATE LOWER DOOR		

Prepared for:
 Jason
 Bennett
 NC SHERIFFS ASSOCIATION
 PO BOX 20049
 RALEIGH, NC 27619
 CONTRACT 23-03-0524

Prepared by:
 Terry Keith
 Excel Truck Group
 4633 Equipment Drive
 Charlotte, NC 28269

Data Code	Description	Weight Front	Weight Rear
772-006	BLACK MATS WITH SINGLE INSULATION		
785-998	NO DASH MOUNTED ASH TRAYS AND LIGHTER		
691-014	FORWARD ROOF MOUNTED CONSOLE WITH UPPER STORAGE COMPARTMENTS AND ADDITIONAL CENTER COMPARTMENT WITHOUT NETTING		
694-010	IN DASH STORAGE BIN		
742-007	(2) CUP HOLDERS LH AND RH DASH		
680-006	GRAY/CHARCOAL FLAT DASH		
860-004	SMART SWITCH EXPANSION MODULE		
700-002	HEATER, DEFROSTER, AND AIR CONDITIONER		
701-008	STANDARD HVAC DUCTING WITH SNOW SHIELD FOR FRESH AIR INTAKE		
703-005	MAIN HVAC CONTROLS WITH RECIRCULATION SWITCH		
170-045	STANDARD HEATER PLUMBING WITH BALL SHUTOFF VALVES AT SUPPLY LINES ONLY		
130-041	VALEO HEAVY DUTY A/C REFRIGERANT COMPRESSOR		
702-002	BINARY CONTROL, R-134A		
739-034	PREMIUM INSULATION		
285-027	SOLID-STATE CIRCUIT PROTECTION AND FUSES WITH SPARE FUSE KIT		
280-007	12V NEGATIVE GROUND ELECTRICAL SYSTEM		
324-011	DOMED DOOR ACTIVATED LH AND RH, DUAL READING LIGHTS, FORWARD CAB ROOF		
655-005	LH AND RH ELECTRIC DOOR LOCKS		
284-101	(1) 12V POWER SUPPLY (1) DUAL 2.1 AMP USB CHARGER IN DASH		
756-1G7	H.O. BOSTROM SIERRA AIR-30 HIGH BACK AIR SUSPENSION DRIVER SEAT WITH ADJUSTABLE RECLINE, FIXED LUMBAR AND NFPA 1901-2009/2016 COMPLIANT SEAT SENSOR	20	
760-1G7	H.O. BOSTROM SIERRA AIR-30 HIGH BACK AIR SUSPENSION PASSENGER SEAT WITH ADJUSTABLE RECLINE, FIXED LUMBAR AND NFPA 1901-2009/2016 COMPLIANT SEAT SENSOR	40	15
759-009	INBOARD DRIVER SEAT ARMREST, NO PASSENGER SEAT ARMREST	2	
711-004	LH AND RH INTEGRAL DOOR PANEL ARMRESTS		
758-081	GRAY AND BLACK DURAWEAR FABRIC DRIVER SEAT COVER, SEAT BOLSTER AND INSERT		

Prepared for:
 Jason
 Bennett
 NC SHERIFFS ASSOCIATION
 PO BOX 20049
 RALEIGH, NC 27619
 CONTRACT 23-03-0524

Prepared by:
 Terry Keith
 Excel Truck Group
 4633 Equipment Drive
 Charlotte, NC 28269

Data Code	Description	Weight Front	Weight Rear
761-081	GRAY AND BLACK DURAWEAR FABRIC PASSENGER SEAT COVER, SEAT BOLSTER AND INSERT		
763-105	NFPA 1901-2009 HIGH VISIBILITY ORANGE SEAT BELTS		
532-002	ADJUSTABLE TILT AND TELESCOPING STEERING COLUMN	10	
540-015	4-SPOKE 18 INCH STEERING WHEEL		
765-002	DRIVER AND PASSENGER INTERIOR SUN VISORS		
67E-006	INTERFACE CONNECTORS AND WIRING FOR CTC INSTALLED NFPA LED STEP LIGHTING		

Instruments & Controls

732-004	GRAY DRIVER INSTRUMENT PANEL		
734-004	GRAY CENTER INSTRUMENT PANEL		
87L-001	ENGINE REMOTE INTERFACE WITH PARK BRAKE INTERLOCK		
870-001	BLACK GAUGE BEZELS		
486-006	LOW AIR PRESSURE INDICATOR LIGHT AND AUDIBLE ALARM WITH (1) ADDITIONAL PARK SWITCH FOR CUSTOMER USE		
840-002	2 INCH PRIMARY AND SECONDARY AIR PRESSURE GAUGES		
198-034	INTAKE MOUNTED AIR RESTRICTION INDICATOR W/ COLOR LED WARNING LIGHT, 18 INCH AND 20 INCH LIMITS		
721-003	1040 87 DECIBELS TO 112 DECIBELS AUTOMATIC SELF-ADJUSTING BACKUP ALARM		3
149-013	ELECTRONIC CRUISE CONTROL WITH SWITCHES IN LH SWITCH PANEL		
156-020	IGNITION SWITCH WITH NFPA NON REMOVABLE KEY		
811-042	ICU3S, 132X48 DISPLAY WITH DIAGNOSTICS, 28 LED WARNING LAMPS AND DATA LINKED		
160-038	HEAVY DUTY ONBOARD DIAGNOSTICS INTERFACE CONNECTOR LOCATED BELOW LH DASH		
844-001	2 INCH ELECTRIC FUEL GAUGE		
148-073	ENGINE REMOTE INTERFACE FOR REMOTE THROTTLE		
163-001	ENGINE REMOTE INTERFACE CONNECTOR AT BACK OF CAB		
856-001	ELECTRICAL ENGINE COOLANT TEMPERATURE GAUGE		

Prepared for:
 Jason
 Bennett
 NC SHERIFFS ASSOCIATION
 PO BOX 20049
 RALEIGH, NC 27619
 CONTRACT 23-03-0524

Prepared by:
 Terry Keith
 Excel Truck Group
 4633 Equipment Drive
 Charlotte, NC 28269

Data Code	Description	Weight Front	Weight Rear
864-001	2 INCH TRANSMISSION OIL TEMPERATURE GAUGE		
830-017	ENGINE AND TRIP HOUR METERS INTEGRAL WITHIN DRIVER DISPLAY		
49B-004	NFPA ELECTRONIC STABILITY CONTROL		
852-002	ELECTRIC ENGINE OIL PRESSURE GAUGE		
679-998	NO OVERHEAD INSTRUMENT PANEL		
786-119	NFPA VEHICLE DATA RECORDER AND SEATBELT DISPLAY		
746-136	AM/FM/WB WORLD TUNER RADIO WITH AUXILIARY INPUT, J1939	10	
747-001	DASH MOUNTED RADIO		
750-002	(2) RADIO SPEAKERS IN CAB		
753-040	24 INCH AM/FM ANTENNA MOUNTED ON LH SIDE MIRROR, NO HOLE IN ROOF	2	
74D-002	RADIO WIRING WITH POWER CUTOFF WHEN VEHICLE IN REVERSE GEAR		
810-027	ELECTRONIC MPH SPEEDOMETER WITH SECONDARY KPH SCALE, WITHOUT ODOMETER		
817-001	STANDARD VEHICLE SPEED SENSOR		
812-001	ELECTRONIC 3000 RPM TACHOMETER		
162-002	IGNITION SWITCH CONTROLLED ENGINE STOP		
81Y-001	PRE-TRIP LAMP INSPECTION, ALL OUTPUTS FLASH, WITH SMART SWITCH		
264-032	(2) OVERHEAD MOUNTED LANYARD CONTROLS: (1) OFFICER AIR HORN AND (1) DRIVER AIR HORN		
836-015	DIGITAL VOLTAGE DISPLAY INTEGRAL WITH DRIVER DISPLAY		
660-025	SINGLE ELECTRIC WINDSHIELD WIPER MOTOR WITH DELAY PROGRAMMED TO SLOWEST SPEED WITH PARK BRAKE SET		
304-001	MARKER LIGHT SWITCH INTEGRAL WITH HEADLIGHT SWITCH		
27D-012	ALTERNATING FLASHING LOW BEAM WIG WAG HEADLAMPS WITH DASH SWITCH, WITH PARK BRAKE RELEASED		
882-018	ONE VALVE PARKING BRAKE SYSTEM WITH DASH VALVE CONTROL AUTONEUTRAL AND WARNING INDICATOR		
299-013	SELF CANCELING TURN SIGNAL SWITCH WITH DIMMER, WASHER/WIPER AND HAZARD IN HANDLE		

Prepared for:
 Jason
 Bennett
 NC SHERIFFS ASSOCIATION
 PO BOX 20049
 RALEIGH, NC 27619
 CONTRACT 23-03-0524

Prepared by:
 Terry Keith
 Excel Truck Group
 4633 Equipment Drive
 Charlotte, NC 28269

Data Code	Description	Weight Front	Weight Rear
298-039	INTEGRAL ELECTRONIC TURN SIGNAL FLASHER WITH HAZARD LAMPS OVERRIDING STOP LAMPS		

Design

065-000	PAINT: ONE SOLID AXALTA BC/CC COLOR		
---------	-------------------------------------	--	--

Color

980-6A7	CAB COLOR A: L3007EY OSHA RED ELITE EY		
986-020	BLACK POLYURETHANE CHASSIS PAINT		
976-995	SUNVISOR PAINTED SAME AS CAB COLOR A		
963-003	STANDARD E COAT/UNDERCOATING		

Certification / Compliance

996-001	U.S. FMVSS CERTIFICATION		
998-032	CORPORATE PDI CENTER OPTION INSTALLATION		

Weight Summary

	Weight Front	Weight Rear	Total Weight
Factory Weight	8176 lbs.	4256 lbs.	12432 lbs.

Prepared for:
 Jason
 Bennett
 NC SHERIFFS ASSOCIATION
 PO BOX 20049
 RALEIGH, NC 27619
 CONTRACT 23-03-0524

Prepared by:
 Terry Keith
 Excel Truck Group
 4633 Equipment Drive
 Charlotte, NC 28269

D I M E N S I O N S

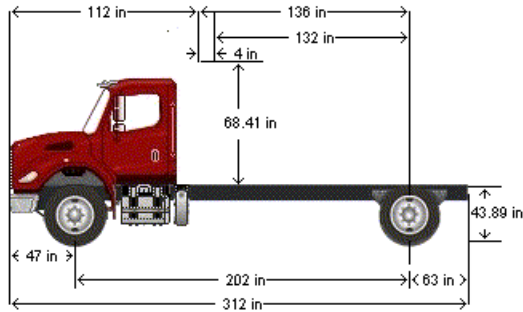


TABLE SUMMARY - DIMENSIONS

Dimensions	Inches
Bumper to Back of Cab (BBC)	112.4
Bumper to Centerline of Front Axle (BA)	46.9
Min. Cab to Body Clearance (CB)	4.0
Back of Cab to Centerline of Rear Axle(s) (CA)	136.2
Effective Back of Cab to Centerline of Rear Axle(s) (Effective CA)	132.2
Back of Cab Protrusions (Exhaust/Intake) (CP)	2.0
Back of Cab Protrusions (Side Extenders/Trim Tab) (CP)	0.0
Back of Cab Protrusions (CNG Tank)	0.0
Back of Cab Clearance (CL)	4.0
Back of Cab to End of Frame	199.2
Cab Height (CH)	68.4
Wheelbase (WB)	201.8
Frame Overhang (OH)	63.0
Overall Frame Length	294.9
Overall Length (OAL)	311.6
Rear Axle Spacing	0.0
Unladen Frame Height at Centerline of Rear Axle	43.9

Performance calculations are estimates only. If performance calculations are critical, please have dealer contact Customer Application Engineering.